

# Bedienungsanleitung

## Instruction Leaflet

# Compressed Air 2002

Mod. 2002 · 2002 L · 2002 D-RT

Mod. 2020 · Mod. 2025



Bitte sorgfältig lesen, bevor Sie dieses Gewehr zusammenbauen oder benutzen.

Please read carefully before you assemble or operate this rifle.

**ANSCHÜTZ**<sup>®</sup>

DIE MEISTER MACHER



**DIE MEISTER MACHER**

Anschutz is the most well known target rifle manufacture in the world. This is due to their long term commitment to the sport and to the shooters by making the best possible equipment.

Anschutz's superior R&D efforts coupled with their high quality production has given them a very long, never-ending list of World Records and Olympic medals. In conclusion, if you're not shooting an Anschutz Rifle you will be beat by one. Anschutz repair service is also unbeatable.

Anschutz has factory trained certified Gunsmiths all over the world that attend all of the major shooting events such as NCAA championships and the National Matches.

**54**



**54s**



**54b**



### The .22 Cal. Barrel Actions

**1451** – This action is an inexpensive action designed for new shooters. Its light weight is perfect for young shooters that want an early start. Until you have mastered the basics of target shooting you will not be able to out shoot this barrel action.

**64** – This action is the next step up from the 1451. It has increased lock time and accuracy. This action is capable of getting you to the sharpshooter/expert classification.

**54** – This action is the one used in the Olympics. It's lock time is superior to even electronic triggers and more reliable. The accuracy is also unmatched. With this action ammunition quality is now the weakest link to accuracy.

**54s** – This is the square action version of the 54. This gives you the capability to quickly change barrels and adjust headspace without a gunsmith. It weighs slightly more than the 54 action. This action is ideal if you want different barrel lengths or to test ammunition lots with different barrels.

**54b** – This is the biathlon version of the 54. It has a quick cocking bolt that is needed for biathlon competition.



### .177 Cal Air Gun Actions

**2002CA** – This is the top of the line action that they use in the Olympics. You can get 300+ shoots from a single cylinder. No internal moving parts and no recoil makes it a very reliable, low maintenance, and precise action.

**2002J** – This is the miniature version for young shooters. Same accuracy as 2002CA, but it is smaller and lighter. You can get 200+ shots from a single cylinder.

### .177 Cal Field Actions

Both the 2020P & 2025P come with quick fill cylinders.

**2020CA** – 11 ft/lb. You can get approximately 120 shots per cylinder.

**2025CA** – 15 ft/lb. You can get approximately 90 shots per cylinder.



### Barrel Length

The theory of a short barrel is that the bullet gets out of the barrel quicker thus more accurate in non-stable positions like standing. However, you lose your sighting line if you do not put a tube or sight line extender on it, which is needed for iron sights. Some shooters believe that these tubes/extenders can hurt accuracy and are high maintenance. Long barrels have been proven to work best in stable positions like prone. Unless you're a high master shooter you probably will not see any noticeable difference between barrel lengths.

### Rifling

Where the barrel length truly ends and the bullets flight begins.

### B.A. (Barrel Action) Length

This is the length of both the barrel and the action. This is your sighting line.



### Rifle Weight

Heaver guns are more stable and have less recoil. However, too much weight can be a problem. Remember, you can always add weight to light stocks, but you can't take away weight.



### Butt Plates

**4709 A & B** – Rubber Butt plate, model B has more arch.

**4759** – Designed to meet rules set for a standard rifle and air rifle competition. Tilts, horizontally and vertically adjustable. Arch is adjustable.

**4758** – same as 4759 but arch is not adjustable.

**4765** – Designed to meet free rifle rules. Completely adjustable, also comes with hook.



5018

### Triggers

**5066** – A basic but smooth 2 stage trigger.

**5098** – Adjustable match 2 stage trigger. Trigger blade adjustable in length. Weight is set at 9.86 oz.

**5018** – Is the best trigger made. Weight and pull of each stage can be adjusted. The trigger blade is adjustable in length and can be tilted up to 15 degrees. Weight is set at 3.52 oz.

**5020** – same as 5018. Weight is set at 17.6 oz.

**5197** – New trigger designed for 2027 biathlon air gun. Weight is set at 1.2 lbs.



### Stocks

**Walnut stocks** – A proven stock that has been around for many years and works very well.

**Laminated Wood** – Works like walnut but with more vibrant color.

**ALU** – The new metal stock.

Anschutz metal stocks come complete with a vibration-dampening block between the action and the stock. Rules now allow for an adjustable grip. These stocks come with wood plates to keep the look and feel of the wood stock.

**Hardwood** – Used to keep the cost down but still deliver a quality stock.



**Pistol Grip size on ALU Stocks.**

Most people can shoot with either grip.  
**Adult grip** – This is the standard grip.  
**Youth grip** – Slightly smaller grip.  
 Recommended for young adults and/or women.

**Palm Rests**

Palm rests are permitted on free rifle only, due to rules. Palm rests cannot be used on standard rifles or air rifles. Since the stocks on standard rifles are deeper and flush with the trigger guard a palm rest is not really needed. Free rifles need some type of palm rests because the stock is very close to the barrel action. This is a good for 3 position shooters; but it is difficult to shoot standing without something raising the gun up to a level position.

The following table lists the various models available. **Anschutz gun prices may vary as market conditions change and will be priced as each shipment is received. Prices will increase or decrease accordingly.** If you would like to see this table in color go to our web site at [www.ChampionShooters.com](http://www.ChampionShooters.com). At our web site, you can get current prices, larger pictures of each of the Anschutz Rifles, as well as even more detailed information.

Key		Length (cm / inch)				Weight Kg. / Lbs.	
Model	Barrel Action	Barrel Length	Rifling	B. A. Length	Trigger	Version	Weight
Picture	Order #	\$	Stock	Color	Butt	Notes	Shooter
<b>1451 Target</b>	<b>1451</b>	<b>56/22.0</b>	<b>56/22.0</b>		<b>5066</b>	<b>Single Shot / Repeater</b>	<b>2.9/6.39</b>
	2160050	\$ <a href="#">Check</a>	Hardwood	dark	4709-A	Repeater	RH
	2160010	\$ <a href="#">Check</a>	Hardwood	dark	4709-A	Single loader	RH
<b>1451 Beavertail</b>	<b>1451</b>	<b>56/22.0</b>	<b>56/22.0</b>		<b>5066</b>	<b>Repeater-5 Shot</b>	<b>2.9/6.3</b>
	2160080	\$ <a href="#">Check</a>	Hardwood	dark	Fixed	Repeater	RH
<b>64 MPR</b>	<b>64</b>	<b>65/25.5</b>	<b>65/25.5</b>		<b>5098</b>	<b>Repeater-5 Shot</b>	<b>4.1/9</b>
	2194002	\$ <a href="#">Check</a>	Hardwood	dark	4709-A	Repeater	RH
<b>1903 Small Bore Match Rifle</b>	<b>64</b>	<b>65/25.5</b>	<b>64/25.5</b>	<b>76/29.9</b>	<b>5098</b>	<b>Single Loader</b>	<b>4.6/10.1</b>
	2100900	\$ <a href="#">Check</a>	Walnut	non-stained	4709-A	Single loader	RH
	2101900	\$ <a href="#">Check</a>	Walnut	non-stained	4709-A	Single loader	LH
<b>1907 Light</b>	<b>54</b>	<b>66/25.9</b>	<b>66/25.9</b>	<b>77/30.3</b>	<b>5018</b>	<b>Single Loader</b>	<b>4.4/9.6</b>
	2010928	\$ <a href="#">Check</a>	Walnut	dark	4759	Extra Light Version	RH
<b>1907 Small Bore Benchrest</b>	<b>54</b>	<b>66/25.9</b>	<b>66/25.9</b>	<b>77/30.3</b>	<b>5018</b>	<b>Single Loader</b>	<b>4.8/10.5</b>
	2010925	\$ <a href="#">Check</a>	Walnut	dark	4709-B	Benchrest	RH
<b>2013 Benchrest</b>	<b>54s</b>	<b>50/19.6</b>	<b>50/19.6</b>		<b>5018</b>	<b>Single Loader</b>	<b>4.7/10.3</b>
	2007000	\$ <a href="#">Check</a>	Walnut	non-stained	4709-A	Benchrest	RH
<b>64 MSR Silhouette</b>	<b>64</b>	<b>54/21.2</b>	<b>54/21.2</b>		<b>5098</b>	<b>Repeater-5 Shot</b>	<b>3.6/7.9</b>
	2194000	\$ <a href="#">Check</a>	Walnut	non-stained	Fixed	64 Match Action	RH
<b>54.18 MSR Silhouette</b>	<b>54</b>	<b>57/22.4</b>	<b>57/22.4</b>		<b>5018</b>	<b>Repeater-5 Shot</b>	<b>3.7/8.1</b>
	2044000	\$ <a href="#">Check</a>	Walnut	non-stained	Fixed	54 Match Action	RH
	2044050	\$ <a href="#">Check</a>	Walnut	non-stained	Fixed	w/1808 Thumbhole Stock	RH

Key

Length (cm / inch)

Weight Kg. / Lbs.

Model	Barrel Action	Barrel Length	Rifling	B. A. Length	Trigger	Version	Weight
Picture	Order #	\$	Stock	Color	Butt	Notes	Shooter
<b>1827 Fortner Biatalon</b>	<b>54b</b>	<b>55/21.6</b>	<b>55/21.6</b>	<b>73/28.7</b>	<b>5020</b>	<b>Repeater</b>	<b>4.0/8.8</b>
	2052700	\$ <a href="#">Check</a>	Walnut	non-stained	Biathlon	S.S. Barrel	RH
	2052900	\$ <a href="#">Check</a>	Walnut	non-stained	Biathlon	Blued Barrel	RH
	2053900	\$ <a href="#">Check</a>	Walnut	non-stained	Biathlon	Blued Barrel	LH
	2052400	\$ <a href="#">Check</a>	Walnut	non-stained	Biathlon	nitride steel barrel	RH
<b>1827 Fortner Sprint Biathalon</b>	<b>54b</b>	<b>55/21.6</b>	<b>55/21.6</b>	<b>73/28.7</b>	<b>5020</b>	<b>Repeater</b>	<b>3.7/8.2</b>
	2052910	\$ <a href="#">Check</a>	Walnut	non-stained	Biathlon	Sprint	RH
	2052920	\$ <a href="#">Check</a>	Walnut	non-stained	Biathlon	Sprint and nitride steel barrel	RH
<b>2027 Biathalon</b>	<b>2027</b>	<b>61/24.0</b>	<b>42/16.5</b>	<b>74/29.1</b>	<b>5197</b>	<b>Repeater</b>	<b>4.1/9.0</b>
	5752900	\$ <a href="#">Check</a>	Walnut	non-stained	Biathlon	with straight pull action Priced without sights.	RH
<b>2002 CA ALU</b>	<b>2002CA</b>	<b>64/25.2</b>	<b>42/16.5</b>	<b>78/30.7</b>	<b>5018</b>	<b>Single Loader</b>	<b>4.9/10.8</b>
	5704956	\$ <a href="#">Check</a>	ALU Silver	Blue	4759	Adult pistol grip	RH
	5704957	\$ <a href="#">Check</a>	ALU Silver	Blue	4759	Youth pistol grip	RH
	5704954	\$ <a href="#">Check</a>	ALU Silver	Blue	4759	Youth pistol grip	RH
	5706856	\$ <a href="#">Check</a>	ALU Silver	Blue	4759	Adult pistol grip	LH
	5706857	\$ <a href="#">Check</a>	ALU Silver	Blue	4759	Youth pistol grip	LH
	5704982	\$ <a href="#">Check</a>	ALU Red	Black	4759	Adult pistol grip	RH
	5704984	\$ <a href="#">Check</a>	ALU Silver	Black	4759	Adult pistol grip, red air cylinder	RH
	5704986	\$ <a href="#">Check</a>	ALU Black	Blue	4759	Adult pistol grip	RH
	5704990	\$ <a href="#">Check</a>	ALU Black	Black	4759	Adult pistol grip	RH
	5704980	\$ <a href="#">Check</a>	ALU Black	Yellow	4759	Adult pistol grip	RH
We stock all of the color options, however to guarantee your preferred color please order a month before you need it.							
<b>2002 CA Wood Stock</b>	<b>2002CA</b>	<b>64/25.2</b>	<b>42/16.5</b>	<b>78/30.7</b>	<b>5018</b>	<b>Single Loader</b>	<b>4.6/10.1</b>
	5704955	\$ <a href="#">Check</a>	Laminated Wood	Blue	4759		RH
	5706855	\$ <a href="#">Check</a>	Laminated Wood	Blue	4759		LH
	5704923	\$ <a href="#">Check</a>	Walnut	non-stained	4709-A	Rubber butt-plate	RH
	5704920	\$ <a href="#">Check</a>	Walnut	non-stained	4759		RH
	5704924	\$ <a href="#">Check</a>	Walnut	non-stained	4758	Top Arch on Butt doesn't adjust	RH
<b>2002 CA Junior</b>	<b>2002J</b>	<b>53/20.8</b>	<b>42/16.5</b>	<b>67/26.4</b>	<b>5018</b>	<b>Single Loader</b>	<b>3.6/7.9</b>
	5704904	\$ <a href="#">Check</a>	Laminated Wood	Blue	4758	Junior; with L/R handed stock	RH
<b>2020 CA High Power</b>	<b>2020CA</b>	<b>64/25.2</b>	<b>64/25.2</b>	<b>78/30.7</b>	<b>5018</b>	<b>Single Loader</b>	<b>4.7/10.3</b>
	5744955	\$ <a href="#">Check</a>	Laminated Wood	Blue	4759	2020 High Power, Vo 210m/s	RH
<b>2025 CA High Power</b>	<b>2025CA</b>	<b>64/25.2</b>	<b>64/25.2</b>	<b>78/30.7</b>	<b>5018</b>	<b>Single Loader</b>	<b>4.7/10.3</b>
Same picture as above	5743955	\$ <a href="#">Check</a>	Laminated Wood	Blue	4759	2025 High Power, V0 245m/s	RH
Call for price and availability of Left Handed 2025 Field Rifles. This may have to be special ordered.							

Key

Length (cm / inch)

Weight Kg. / Lbs.

Model	Barrel Action	Barrel Length	Rifling	B. A. Length	Trigger	Version	Weight
Picture	Order #	\$	Stock	Color	Butt	Notes	Shooter
<b>1907 Small Bore Target Rifle</b>	<b>54</b>	<b>66/25.9</b>	<b>66/25.9</b>	<b>77/30.3</b>	<b>5018</b>	<b>Single Loader</b>	<b>4.8/10.5</b>
	2010924	\$ <a href="#">Check</a>	Walnut	dark	4759		RH
	2010925	\$ <a href="#">Check</a>	Walnut	dark	4709-B	Benchrest	RH
	2010922	\$ <a href="#">Check</a>	Walnut	dark	4709-A	Rubber butt-plate	RH
	2011924	\$ <a href="#">Check</a>	Walnut	dark	4759		LH
<b>1913 w/1907 Stock</b>	<b>54</b>	<b>69/27.1</b>	<b>69/27.1</b>	<b>80/31.4</b>	<b>5018</b>	<b>Single Loader</b>	<b>5.0/11.0</b>
	2020920	\$ <a href="#">Check</a>	Walnut	dark	4759	Single Loader	RH
<b>1912 Small Bore Sport Rifle</b>	<b>54</b>	<b>66/25.9</b>	<b>66/25.9</b>	<b>77/30.3</b>	<b>5018</b>	<b>Single Loader</b>	<b>5.2/11.4</b>
	2016920	\$ <a href="#">Check</a>	Walnut	non-stained	4765		RH
	2016970	\$	Walnut	non-stained	4765		LH
<b>1907 w/2213 ALU Stock</b>	<b>54</b>	<b>66/25.9</b>	<b>66/25.9</b>	<b>77/30.3</b>	<b>5018</b>	<b>Single Loader</b>	<b>5.25/11.57</b>
	2016875	\$ <a href="#">Check</a>	ALU Silver	Blue	4765	Youth pistol grip	RH
	2016885	\$ <a href="#">Check</a>	ALU Silver	Blue	4765	Youth pistol grip w/4980	LH
<b>2007 Special</b>	<b>54s</b>	<b>69/27.1</b>	<b>50/19.6</b>	<b>80/31.4</b>	<b>5018</b>	<b>Single Loader</b>	<b>5.0/11.0</b>
	2000920	\$ <a href="#">Check</a>	Walnut	non-stained	4759	ALU butt plate	RH
<b>2007/660 Special</b>	<b>54s</b>	<b>66/25.9</b>	<b>66/25.9</b>	<b>77/30.3</b>	<b>5018</b>	<b>Single Loader</b>	<b>5.1/11.2</b>
	2000820	\$ <a href="#">Check</a>	Walnut	non-stained	4759	ALU butt plate	RH
<b>2012 Sport Rifle</b>	<b>54s</b>	<b>66/25.9</b>	<b>66/25.9</b>	<b>77/30.3</b>	<b>5018</b>	<b>Single Loader</b>	<b>5.9/13</b>
	2006820	\$ <a href="#">Check</a>	Walnut	non-stained	4765		RH
	2006870	\$ <a href="#">Check</a>	Walnut	non-stained	4765		LH
<b>2007/660 w/2313 ALU Stock</b>	<b>54s</b>	<b>66/25.9</b>	<b>66/25.9</b>	<b>77/30.3</b>	<b>5018</b>	<b>Single Loader</b>	<b>5.5/11.7</b>
	2006875	\$ <a href="#">Check</a>	ALU Silver	Blue	4765	Youth pistol grip	RH
	2006885	\$ <a href="#">Check</a>	ALU Silver	Blue	4765	Youth pistol grip	LH
<b>1913 Super Match</b>	<b>54</b>	<b>69/27.1</b>	<b>69/27.1</b>	<b>80/31.4</b>	<b>5018</b>	<b>Single Loader</b>	<b>6.5/14.3</b>
	2020970	\$ <a href="#">Check</a>	Walnut	dark	4765	w/Palm rest	RH
	2021970	\$ <a href="#">Check</a>	Walnut	dark	4765	w/Palm rest	LH
	2020980	\$ <a href="#">Check</a>	Walnut	dark	4765	w/o Palm rest	RH
<b>2013 Super Match Special</b>	<b>54s</b>	<b>69/27.1</b>	<b>50/19.6</b>	<b>80/31.4</b>	<b>5018</b>	<b>Single Loader</b>	<b>7.0/15.4</b>
	2000970	\$ <a href="#">Check</a>	Walnut	dark	4765	w/Palm rest	RH
	2001970	\$ <a href="#">Check</a>	Walnut	dark	4765	w/Palm rest	LH
	2000980	\$ <a href="#">Check</a>	Walnut	dark	4765	w/o Palm rest	RH
<b>2013/690 Super Match Special</b>	<b>54s</b>	<b>69/27.1</b>	<b>69/27.1</b>	<b>80/31.4</b>	<b>5018</b>	<b>Single Loader</b>	<b>7.0/15.4</b>
	2000870	\$ <a href="#">Check</a>	Walnut	dark	4765	w/Palm rest	RH
	2001870	\$ <a href="#">Check</a>	Walnut	dark	4765	w/Palm rest	LH
	2000880	\$ <a href="#">Check</a>	Walnut	dark	4765	w/o Palm rest	RH
<b>2013/690 w/2313 ALU Stock</b>	<b>54s</b>	<b>69/27.1</b>	<b>69/27.1</b>	<b>80/31.49</b>	<b>5018</b>	<b>Single Loader</b>	<b>5.7/12.5</b>
	2005875	\$ <a href="#">Check</a>	ALU Silver	Blue	4765	Adult Pistol Grip	RH
	2005885	\$ <a href="#">Check</a>	ALU Silver	Blue	4765	Adult Pistol Grip	LH

## Inhaltsverzeichnis

Vorwort .....	S.03
Sicherheitshinweise .....	S.03
Allgemeiner Umgang mit Gewehren .....	S.04
Gehör- und Augenschutz .....	S.05
Gesetze .....	S.05
Produktspezifische Sicherheitshinweise .....	S.06
Haftung .....	S.07
Technische Daten .....	S.07
Montage und Systembefestigung .....	S.07
Spannen, Laden, Sichern .....	S.08
Entladen .....	S.08
Abzug .....	S.09
Bestell-Nummern .....	S.14
Trockentrainingseinrichtung .....	S.15
Pressluftkartusche .....	S.15
Reinigung, Pflege, Wartung, Öle .....	S.17
Zubehör .....	S.18
Garantie .....	S.19
Urheberschutz .....	S.19
Explosionsdarstellungen / Ersatzteillisten ..	S.36
Anhang .....	S.56

## Index

Preface .....	p.20
Safety instructions .....	p.20
General handling of rifles .....	p.21
Ear and eye protection .....	p.22
Laws .....	p.22
Product relating safety instructions .....	p.22
Liability .....	p.23
Technical data .....	p.24
Assembly, fitting the Anschütz barreled action .	p.24
Cocking, loading and safety operation .....	p.24
Unloading .....	p.25
Trigger .....	p.25
Order-numbers .....	p.30
Dry firing device .....	p.31
Compressed air cylinder .....	p.31
Cleaning, maintenance, care, lubrication ..	p.32
Accessories .....	p.34
Warranty .....	p.34
Copyright .....	p.35
Drawings / Spare parts .....	p.36
Appendix .....	p.58



## Vorwort

*Lieber ANSCHÜTZ-Freund,  
es war richtig, ein ANSCHÜTZ-Produkt zu wählen. Durch die vielen aufseherregenden sportlichen Erfolge, die Meisterschützen, Olympiateilnehmer und Schützen bei Welt- und Europameisterschaften mit ANSCHÜTZ-Sportwaffen erringen, ist Ihnen diese Wahl gewiss leichtgefallen. Überall schätzt man Jagd- und Sportwaffen von ANSCHÜTZ wegen ihrer ausgereiften Konstruktion und hervorragenden Schussleistung. Qualität und Präzision sind bei uns Tradition, gewachsen durch unsere Erfahrung seit 1856.*

*Wir fertigen  
Luftgewehre, mehrschüssige Sommerbiathlon-Luftgewehre, KK Biathlongewehre, Flobertgewehre, Kleinkaliber-Einzel- und Mehrlader, Jagd- und Schonzeitbüchsen verschiedener Kaliber und die berühmten ANSCHÜTZ KK-Match-Gewehre, Match-Luftgewehre und Match-Luftpistolen sowie Silhouettenpistolen und Silhouettengewehre.*

## Sicherheitshinweise

### Achtung:

Es ist wichtig, dass Sie diese Bedienungsanleitung sorgfältig lesen und verstehen und sich mit der genauen Handhabung Ihres Sportgeräts vertraut machen, bevor Sie es in Gebrauch nehmen. Prägen Sie sich die Handgriffe gut ins Gedächtnis. Sollten Sie dennoch Probleme mit dem sicheren Gebrauch und der richtigen Handhabung oder

noch ergänzende Fragen haben, wenden Sie sich bitte an einen sachkundigen Büchsenmacher bzw. Waffenhändler oder direkt an uns. Diese Bedienungsanleitung ist ausserordentlich wichtig. Sorgen Sie dafür, dass sie immer beim Gewehr ist, insbesondere, wenn es verkauft, verliehen oder anderweitig Dritten überlassen wird. Unsere Sportgeräte sind ausschliesslich für den Schiesssport bestimmt. Die Verwendung unterliegt ausschliesslich den „Allgemeinen technischen Regeln“ für alle Schiesssportdisziplinen der INTERNATIONAL SHOOTING SPORT FEDERATION (ISSF), Bavariaring 21, D-80336 München, bzw. den Regeln der INTERNATIONAL BIATHLON UNION, Airportcenter, Postbox 1, A-5073 Wals-Himmelreich, Austria. Diese Bedienungsanleitung ist auch nachträglich vom Hersteller zu beziehen.

### Warnung:

Ein unsachgemässer Gebrauch sowie die Nichtbeachtung dieser Bedienungsanleitung kann zu einer Gefährdung von Leib und Leben führen!  
Das Vorrecht, Waffen zu besitzen und zu führen, ist mit persönlicher Verantwortungsverbunden. Durch die Beachtung der nachstehenden Regeln für die Sicherheit beim Schiessen lassen sich Unfälle vermeiden.

## Allgemeiner Umgang mit Gewehren

Obwohl angenommen werden kann, dass die folgenden Grundsätze den Schützen allgemein bekannt sind, sollen diese doch nochmals festgehalten werden. Alle Schusswaffen sind gefährliche Gegenstände, deren Aufbewahrung und Verwendung ganz besondere Vorsicht erfordern.

1. Behandeln Sie jedes Gewehr und jede Pistole so gewissenhaft, als wäre es geladen. Vertrauen Sie nicht den Aussagen anderer oder gehen Sie nicht davon aus, dass es ungeladen ist. Überzeugen Sie sich immer vorher selbst. Die Sicherheit und Höflichkeit gebieten es, dass Sie Ihr Gewehr mit geöffnetem Verschluss tragen, so dass Ihre Begleitung sofort erkennt, dass Ihr Gewehr nicht schussfähig ist. Entladen Sie Ihr Gewehr sofort, wenn Sie es nicht mehr benutzen wollen. Vergewissern Sie sich, dass Ihr Gewehr vor jedem Transport ungeladen ist. Nehmen Sie niemals Ihr Gewehr auf, wenn Sie Ihren Finger am Abzug oder im Abzugsbügel haben.

2. Immer wenn Sie Ihr Gewehr zur Hand nehmen, richten Sie die Mündung auf den Boden. Richten Sie die Mündung Ihres Gewehres nie in eine Richtung, in der Sie Schaden anrichten oder Leben gefährden können. Ziehen Sie niemals ein mit der Mündung auf Sie gerichtetes Gewehr an sich heran.

3. Benutzen Sie das Gewehr ausschliesslich auf den dafür zugelassenen Schiessständen. Schiessen Sie nur bei klarer Sicht und unter Tageslichtbedingungen. Wenn

Sie ein Gewehr in einem geschlossenen Schiessstand benutzen, achten Sie darauf, dass er ausreichend be- und entlüftet wird. Vergewissern Sie sich, dass Sie unter allen Bedingungen einen sicheren Kugelfang haben, der vollkommen einsehbar ist. Schiessen Sie nur auf ein sicheres Ziel und vergewissern Sie sich, dass sich in dessen Nähe niemand aufhält. Schiessen Sie niemals auf eine harte, glatte Oberfläche als Hintergrund, auf eine Wasserfläche, auf ein Ziel am Horizont oder in die Luft. Meiden Sie Ziele, an denen das Geschoss gefährlich abprallen oder abgelenkt werden kann. Halten Sie die Mündung Ihres Gewehrs bei Schussabgabe niemals unter Wasser oder auf irgendwelche Materialien oder Gegenstände, um einen Unfall bzw. Beschädigungen an Ihrem Gewehr zu vermeiden.

4. Vergewissern Sie sich, dass Sie die richtige Munition benutzen. Das genaue Kaliber ist auf Ihrem Gewehr vermerkt. Laden Sie Ihr Gewehr immer erst unmittelbar vor Gebrauch.

5. Halten Sie Ihr Gewehr immer sauber. Achten Sie besonders darauf, dass der Lauf nicht durch Schmutz, Wasser, Fett oder sonstige Fremdkörper verstopft ist.

6. Der Sicherungshebel soll exakt in der Position „S“ oder „F“ eingerastet sein, niemals dazwischen. Lassen Sie Ihr Gewehr in gesichertem Zustand bis unmittelbar vor der Schussabgabe. Berühren Sie nicht den Abzug, wenn Sie die Sicherung betätigen oder wenn Sie noch nicht schiessen wollen.

7. Solange Sie Ihr Gewehr nicht benutzen, soll es an einem sicheren, nur Ihnen zugäng-

lichen Ort unter Verschluss sein. Lagern Sie das Gewehr stets entladen und in entspanntem Zustand. Munition ist an einem gesonderten Platz unter Verschluss zu halten. Sie sind dafür verantwortlich, dass Ihr Gewehr jederzeit und insbesondere während Ihrer Abwesenheit nie in der Reichweite und sicher vor dem Zugriff von Kindern und anderen unbefugten Personen ist. Zur sicheren Verwahrung Ihres Sportgeräts auch im verschlossenen Schrank oder im Tresor empfehlen sich ein zusätzliches Abzugsschloss. Übergeben Sie Ihr Gewehr nur hierzu berechtigten Personen. Geben Sie es auch niemals an Personen, denen die richtige Bedienung von Waffen sowie die Regeln für die Sicherheit beim Schiessen nicht bekannt sind. Dieses Gewehr darf nur von einem sachkundigen Erwachsenen oder unter dessen Aufsicht benutzt werden.

8. Achten Sie auf Veränderungen an Ihrem Gewehr, die die Sicherheit beeinträchtigen könnten. Falls Sie einen Fehler oder ein Versagen des Gewehrs annehmen oder feststellen, stellen Sie sofort das Schiessen ein, entladen Sie das Gewehr, überzeugen Sie sich, dass es drucklos ist und schicken Sie es an unsere Firma oder an einen autorisierten Büchsenmacher. Hinweis: Abgesehen von der normalen Pflege darf das Zerlegen des Gewehres nur durch eine dafür autorisierte Werkstatt erfolgen. Durch unsachgemässe Bedienung oder Demontage kann es zu Verletzungen und zu einem irreparablen Schaden am Gewehr kommen.

9. Behandeln Sie Ihr Gewehr stets mit äusserster Sorgfalt und sichern Sie es vor dem Umfallen. Für den Transport Ihres Gewehres in nur trockenem und sauberem Zustand empfiehlt sich ein stabiler Koffer.

10. Sie müssen in guter körperlicher und geistiger Verfassung sein und dürfen nicht unter dem Einfluss von Drogen, Alkohol, Medikamenten etc. stehen, weil dadurch das Sehvermögen, die Geschicklichkeit oder die Urteilskraft beeinträchtigt werden könnten. Stellen Sie das Schiessen ein, wenn Sie ermüden. Müdigkeit kann dazu führen, dass Sie die Kontrolle über das Gewehr verlieren.

11. Reinigen Sie nach dem Schiessen und nach dem Reinigen Ihres Sportgeräts Ihre Hände gründlich. Geschoss-, Pulver- und Ölrückstände können auf der Haut Gesundheitsschäden verursachen.

12. Ihr ANSCHÜTZ-Gewehr ist für höchste Ansprüche gefertigt und gewissenhaft kontrolliert worden. Seine Lebensdauer hängt von der Behandlung und Pflege gemäss den in dieser Bedienungsanleitung enthaltenen Instruktionen ab.

## Gehör- und Augenschutz

Verwenden Sie und andere Personen beim Schiessen zu Ihrer eigenen Sicherheit einen bewährten Gehörschutz und einen splitterfreien Augenschutz.

## Gesetze

Bitte beachten Sie die jeweils gültigen Waffengesetze, Vorschriften und Bestimmungen des jeweiligen Landes.

## Produktspezifische Sicherheitshinweise

### Achtung:

bei Modell 2025:  
 $v_0$ : 245 m/s (803.8 ft/s)  
Energie: 20,4 J (15.06 ftlb)

bei Modell 2020:  
 $v_0$ : 210 m/s (688.9 ft/s)  
Energie: 15 J (11.06 ftlb)

### Wichtige Hinweise zum Umgang mit Pressluftkartuschen:

1. Kontrollieren Sie die Füllstandsanzeige an der Pressluftkartusche nur, wenn das Gewehr entladen und entspannt ist, auf keinen Fall während Sie die Pressluftkartusche nachfüllen. Konstruktionsbedingt arbeitet die Füllstandsanzeige mit einer Genauigkeit von +/- 10 %. Bedingt durch Temperatureinflüsse können ebenfalls Abweichungen bei der Füllstandsanzeige auftreten.

2. Gefüllte Pressluftkartuschen dürfen keiner Temperatur über 50°C ausgesetzt werden. Sorgen Sie daher beim Transport bzw. bei der Lagerung für eine entsprechende Isolierung, z. B. durch eine Aufbewahrung in der Styroporverpackung oder in einem Gewehrkoffer. In Flugzeugen dürfen nur ungefüllte Pressluftkartuschen transportiert werden.

3. Zur Entleerung der Pressluftkartusche empfehlen wir die Verwendung unserer Entlüftungsbuchse (Bestell-Nr. 711.3408). Nachdem die Pressluftkartusche ca. 20 mal befüllt wurde, sollte die Pressluftkartusche vollständig und langsam entleert werden,

damit eventuell vorhandenes Kondenswasser entweichen kann.

4. Pressluftkartuschen, die undicht, beschädigt oder älter als 10 Jahre sind, sind gefahrlos zu entleeren und dürfen nicht mehr benutzt bzw. gefüllt werden. Nach 10 Jahren ab Herstellungsdatum muss die Pressluftkartusche gegen eine Gebühr erneut durch den Hersteller geprüft werden. Das Herstellungsdatum ist auf der Pressluftkartusche vermerkt.

5. Lagern Sie Pressluftkartuschen und Nachfüllbehälter an einem sicheren, trockenen, fett- und staubfreien Ort.

6. Nach dem Abschrauben der Pressluftkartusche ist das Gewinde und das Ventil immer sofort mit der entsprechenden Verschlusskappe zu versehen. **In keinem Fall die Anschlussventile der Pressluftkartusche oder die Gewinde fetten oder ölen! Explosionsgefahr!**

7. Die Pressluftkartuschen dürfen bei Raumtemperatur nicht mit einem Fülldruck von über 200 bar befüllt werden. Ausschliesslich öl- und wasserfreie Pressluft verwenden! (DIN EN 12021 - Atemluft) Aufgrund rechtlicher Vorschriften und Sicherheitsbestimmungen liefern wir die Pressluftkartuschen ungefüllt aus.

8. Versuchen Sie niemals eine Kartusche selbst zu öffnen oder mechanisch zu verändern. Schützen Sie die Kartusche ebenfalls vor äußerer Gewalteinwirkung.

9. Ausser den o.g. Hinweisen sind beim Abfüllen u. a. auch zu gewerblichen Zwecken zwingend die Bestimmungen der „Techni-

schen Regeln Druckgase (TRG)“ bzw. die gesetzlichen Bestimmungen des jeweiligen Landes zu befolgen.

### Haftung

1. ANSCHÜTZ übernimmt keine Haftung oder Schadensersatzforderungen für Schäden jeglicher Art, die durch eine Nichtbeachtung dieser Bedienungsanleitung, unsachgemässe Behandlung oder Reparatur, durch Verwendung von Nicht-ANSCHÜTZ-Originalteilen, falsche Handhabung, Fahrlässigkeit, Entfernen des Siegellacks oder unbefugte Eingriffe entstehen.

2. Der Schaft dieses Gewehres ist vor dem Verlassen der Fabrik sehr sorgfältig geprüft und als einwandfrei befunden worden. Eine unsachgemässe, rohe Behandlung, wie z. B. ein Umfallen des Gewehres, kann diesen Schaft beschädigen, wofür wir als Lieferant nicht verantwortlich gemacht werden können. Ebenso übernehmen wir keine Garantie für Schäden, die auf Grund eines unsachgemässen Transports (Post, Flugzeug etc.) entstehen. Wenden Sie sich in einem solchen Fall sofort an das Transportunternehmen.

3. Änderungen an diesem Gewehr oder an dessen Teilen sind verboten. Derartige Änderungen können den sicheren Gebrauch unseres Produkts beeinträchtigen und zu Unfällen führen, die Leib und Leben gefährden. In einem solchen Fall erlischt jegliche Garantie automatisch. Bitte untersuchen Sie Ihr Gewehr sorgfältig auf irgendwelche Veränderungen, bevor Sie es benutzen. Im Zweifelsfall nehmen Sie bitte mit uns Kontakt auf.

## Pressluftgewehr 2002 Compressed Air, 2002 Compressed Air Junior

### Technische Daten:

Kaliber:	4,5 mm
Lauflänge:	64 cm; Junior 53 cm
Geschossführung:	42 cm
Gesamtlänge:	108 cm; Junior 88 cm
Visierlänge:	77 cm; Junior 66 cm
Gewicht:	4,6 kg; Junior 3,6 kg
Ausführung:	Einzellader

### Montage und Systembefestigung

Schaft und System sind aus Sicherheitsgründen getrennt verpackt und müssen noch zusammengesetzt werden, was jedoch erst vorzunehmen ist, nachdem die nachstehenden Angaben beachtet wurden.

- Überschüssiges Öl von der Systemoberfläche abwischen.
- System passend in die Ausfräsung des Schafes legen.
- System-Befestigungsschrauben mit beigelegtem Wellenschlüssel Modell-Nr. 4406 (Bestell-Nr. 710.6301) eindrehen. Zuerst alle Schrauben leicht anlegen, anschliessend die vorderen, danach die hinteren (Mündungsrichtung) anziehen. Zur korrekten Einstellung empfehlen wir die Verwendung des Drehmoment-schraubers Modell-Nr. 4405 (Bestell-Nr. 700.6180), der bei Holzschäften auf



5 Nm (= 50 cmkp) und bei Aluschäften auf 6 Nm (60 cmkp) einzustellen ist.

- Reinigungsdocht vom Lager in Richtung Mündung durch den Lauf ziehen.

Nach der ersten Montage können Setzungen des Schaftholzes auftreten. Deshalb raten wir Ihnen die Befestigungsschrauben nach einiger Zeit noch einmal zu lösen und wieder entsprechend anzuziehen. Kontrollieren Sie vor jedem Schiessen die Systembefestigung.

## Spannen, Laden, Sichern

- zum Spannen des Schlagstücks Spannhebel anheben und nach hinten bis zum Anschlag ziehen.
- zum Laden das Diabolo mit dem flachen Kopf nach vorne bündig in das Patronenlager schieben.
- Verschlusschlitten durch Vordrücken des Spannhebels mit dem Daumen deutlich hör- und spürbar verriegeln.
- Signalstift am Ende des Systems zeigt an, dass das Gewehr (bei gefüllter Pressluftkartusche) schussbereit ist.

Die seitliche Abzugsschiebesicherung kann in gespanntem Zustand betätigt werden.

### Das Gewehr ist

- gesichert, wenn das „S“ (sicher) sichtbar, das „F“ (Feuer) verdeckt ist.
- schussbereit, wenn das „F“ (Feuer) sichtbar, das „S“ (sicher) verdeckt ist.

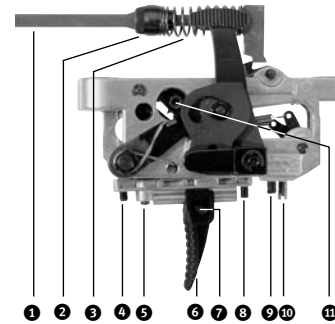
### Bitte beachten:

Der Abzugssicherungshebel muss exakt eingerastet sein, so dass bei „Sicher“ das „F“ und bei „Feuer“ das „S“ verdeckt ist, niemals dazwischen.

Das Luftgewehr nicht mit eingeschraubter Kartusche und in gespanntem Zustand verwahren (Siehe hierzu auch Kapitel „Pressluftkartusche/Handhabung“!). Benutzen Sie ausschliesslich Diabolo-Luftgewehr-Munition in dem für Ihr Luftgewehr zugelassenen Kaliber, keine Bolzen oder andere Fremdkörper.

## Entladen

Das Entladen erfolgt durch Abschiessen der Luftgewehrkugel in einen Kugelfang. Beachten Sie hierbei die Sicherheitsvorschriften im Umgang mit Gewehren.



## Abzug

### Warnung:

Ihr ANSCHÜTZ Sportgerät bietet Ihnen eine Vielzahl von individuellen Einstellmöglichkeiten. Bitte beachten, dass es bei jedem Einstell- bzw. Verstellvorgang immer entladen ist.

## Abzugserläuterungen

### 1. Abzugsgewicht

Einstellen des Abzugsgewichts mittels Stellschraube Nr. 10 (silberne Schraube):

- rechts drehen:  
Abzugsgewicht wird erhöht (+)
- links drehen:  
Abzugsgewicht wird verringert (-)

Abzugs- und Vorzugsgewicht sind mechanisch voneinander abhängig. Eine jeweilige Verstellung hat immer eine geringe gleichlaufende Veränderung des Abzugs- und Vorzugsgewichts zur Folge.

## Verschieben des Abzugsnockens Nr. 11:

- tiefste Einstellung des Nockens:  
geringstes Abzugsgewicht
- höchste Einstellung des Nockens:  
höchstes Abzugsgewicht

Bei einem gewünschten Abzugsgewicht von mehr als 200 g muss die Nocke Nr. 11 auf die höchst mögliche Position eingestellt werden (180° verdreht befestigen). Sie benötigen hierfür einen 2 mm Innensechskantschlüssel und unter Umständen eine Pinzette:

- Links drehen bewirkt ein:  
Lösen der Befestigungsschraube
- Rechts drehen bewirkt ein:  
Festziehen der Befestigungsschraube

Überprüfen Sie nach diesem Prozess die Klinkeüberschneidung gemäss Punkt 3, möglicherweise muss nachjustiert werden. Die Feineinstellung des Abzugs- und Vorzugsgewichtes betätigen Sie mit den Stellschrauben Nr. 10 (Abzugsgewicht) und Nr. 9 (Vorzugsgewicht).

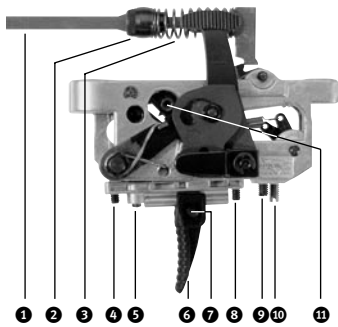
### Achtung:

Bitte achten Sie auf den korrekten Sitz des Abzugsnockens. Bei zu starkem Drehmoment Bruchgefahr der Klemmschraube!

### 2. Vorzugsgewicht (nur bei Druckpunkt-abzug)

Einstellen des Vorzugsgewichts mittels Stellschraube Nr. 9 (schwarze Stellschraube):

- rechts drehen:  
Vorzugsgewicht wird erhöht (+)
- links drehen:  
Vorzugsgewicht wird verringert (-)



Einstellung der Klingenüberschneidung bei **Druckpunktabzug** mittels Stellschraube Nr. 5:

- rechts drehen:  
Klingenüberschneidung wird verkürzt
- links drehen:  
Klingenüberschneidung wird verlängert

Einstellen der optimalen Klingenüberschneidung: Vergewissern Sie sich, dass Ihr Sportgewehr entladen ist. Spannen und Abzug auslösen. Prüfen Sie dabei, ob der Abzug wünschensgemäß auslöst.

Die Klingenüberschneidung ist zu lang: Es besteht ein kleiner Weg vom Druckpunkt bis zum Auslösen des Abzuges (sog. „Ziehen oder Schleppen“)

- Stellschraube Nr. 5 schrittweise nach dem Spannen und Auslösen nach rechts drehen (jeweils ca.  $\frac{1}{8}$  Umdrehung).
- Vorgang wiederholen, bis kein Druckpunkt mehr spürbar ist. Anschliessend  $\frac{1}{5}$  Umdrehung nach links zurückdrehen. Somit ist die optimale Klingenüberschneidung eingestellt.

Die Klingenüberschneidung ist zu kurz: Es besteht kein Druckpunkt mehr. Der Abzug löst undefinierbar ohne Druckpunkt aus.

- Stellschraube Nr. 5 nach dem Spannen mind.  $\frac{1}{4}$  Umdrehung nach links drehen, dann auslösen und prüfen, ob ein Druckpunkt vorhanden ist. Falls nicht, den Vorgang solange wiederholen bis ein spürbarer Druckpunkt vorhanden ist.
- Sobald ein spürbarer Druckpunkt vorhanden ist, gemäss den Punkten im Abschnitt „Die Klingenüberschneidung ist zu lang“

verfahren, um die optimale Überschneidung zu erhalten.

Zur Einstellung der Klingenüberschneidung bei **Direktabzug** mittels Stellschraube Nr. 5 siehe Punkt 7:

#### 4. Vorzugsweg (nur bei Druckpunkt-Abzügen):

Als Vorzugsweg bezeichnet man den Weg des Abzugszüngels aus der Null-Stellung bis zum Druckpunkt.

Einstellen des Vorzugswegs mittels Stellschraube Nr. 4:

- rechts drehen:  
Vorzugsweg wird verkürzt
- links drehen:  
Vorzugsweg wird verlängert

#### Achtung:

Die Stellschraube Nr. 4 (Vorzug) kann bis über die Druckpunktfunktion gedreht werden. Der Abzug ist dann ausser Funktion. **Sicherheitsrisiko!** Auf gar keinen Fall ist es zulässig, den Vorzugsweg ganz zu beseitigen, um auf diese Weise den Druckpunktabzug in einen Direktabzug zu verwandeln.

#### 5. Nachzugsweg (Trigger-Stop):

Als Nachzugsweg bezeichnet man den Weg vom Druckpunkt bis zum Anschlag des Abzugszüngels.

Einstellen des Nachzugswegs mittels Trigger-Stop Stellschraube Nr. 8:

- rechts drehen:

Nachzug wird verkürzt  
• links drehen:  
Nachzug wird verlängert

#### Achtung:

Trigger-Stop Stellschraube Nr. 8 kann bis über die Druckpunkt- bzw. Direktfunktion eingedreht werden. Funktionsstörung (Abzug löst nicht aus)!

#### 6. Verstellen der Abzugszunge

Klemmschraube Nr. 7 lockern, Abzugszüngel Nr. 6 kann sowohl längs der Führung verschoben als auch seitwärts geschwenkt werden.

#### 7. Umwandlung Druckpunktabzug in Direktabzug

##### Einstellen:

- Vorzugswegschraube Nr. 4 nach links herausdrehen, bis maximale Vorzugslänge eingestellt ist.
- Spannen
- Stellschraube Nr. 5 (Druckpunkt) so lange nach links drehen bis der Abzug auslöst.
- Von dieser Stellung Stellschraube Nr. 5 ca.  $\frac{1}{4}$  Umdrehung nach rechts drehen.

Der Abzug ist nun direkt eingestellt, es ist kein Vorzugsweg mehr vorhanden.

##### Warnung:

Direkt eingestellte Abzüge sind sehr sensibel und mit grösster Sorgfalt zu bedienen. Die Klingenüberschneidung von  $\frac{5}{100}$  mm wird sofort beim Schliessen des Verschlusses angesteuert. In Kombination mit einem mini-

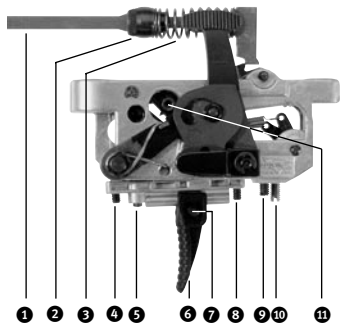
Abzugs- und Vorzugsgewicht sind mechanisch voneinander abhängig. Eine jeweilige Verstellung hat immer eine geringe gleichlaufende Veränderung des Abzugs- und Vorzugsgewichts zur Folge.

### 3. Klingenüberschneidung bzw. Klingenübergreif

Die Klingenüberschneidung bezeichnet den Weg vom Druckpunkt bis zum Auslösen des Abzugs.

#### Wichtiger Hinweis:

Um Ihren fein eingestellten Präzisionsabzug zu schonen und seine einwandfreie Funktion zu erhalten, sollten Sie den Verschluss immer gefühlvoll schliessen. Wenn Sie bei den Direktabzügen die Klingenüberschneidungen zu knapp und mit einem zu geringen Abzugsgewicht einstellen oder bei den Druckpunktabzügen einen zu kurzen Vorzugsweg wählen, kann sich durch einen heftigen Stoss oder bei zu heftigem Schliessen des Verschlusses der Abzug selbsttätig lösen und damit bei geladenen und ungesicherten Sportgerät ein Schuss abgeben.



mal eingestellten Abzugsgewicht kann es zu Funktionsstörungen und zu einem erhöhten **Sicherheitsrisiko** kommen (**Selbstauslöser**).

## 8. Umwandlung Direktabzug in Druckpunktabzug

- Trigger-Stop Stellschraube Nr. 8 ca. 2 1/2 Umdrehungen nach links drehen (max. Triggerstop länger einstellen).
- Abzug entsichern und Gewehr spannen.
- Stellschraube Nr. 5 ca. 2 1/2 Umdrehungen nach rechts drehen.
- Nun ist der Druckpunkt zu spüren.
- Um die optimale Klingenüberschneidung einzustellen, nach Punkt 3 verfahren.
- Eventuell Vorzugsweg nach Punkt 4, Nachzugsweg nach Punkt 5, Abzugsgewicht nach Punkt 1 und Vorzugsgewicht nach Punkt 2 auf die gewünschten Werte einstellen.

## 9. Störungen des Abzugs durch falsches Verstellen

Sollte der Abzug verstellt sein und dadurch Störungen auftreten, führt planloses Probieren zu keinem Erfolg. Gehen Sie daher nach folgender Anleitung vor. Nach jeder Veränderung muss die Abzugsfunktion kontrolliert werden. Wenn die Störung beseitigt ist, die gewünschten Abzugswerte überprüfen und ggf. wieder einstellen.

Der Abzug fängt das Schlagstück bzw. den Schlagbolzen, löst aber beim Abdrücken nicht aus:

- Überzeugen Sie sich, dass der Abzug entsichert ist.
- Prüfen Sie, ob der Abzugsnocken Nr. 11 vorhanden und richtig angeschraubt ist.
- Trigger-Stop Stellschraube Nr. 8 ist einige Umdrehungen zu weit eingedreht. Drehen Sie diese einige Umdrehungen nach links bis das Schlagstück bzw. der Schlagbolzen beim Abdrücken wieder auslöst.

Der Abzug fängt das Schlagstück bzw. den Schlagbolzen nicht:

- Stellschraube Nr. 4 (Vorzug) ist einige Umdrehungen zu weit eingedreht.
- Prüfen Sie, ob die Zugfeder unbeschädigt und richtig eingehängt ist.

Der Direktabzug ist zu knapp eingestellt:

- Stellschraube Nr. 5 schrittweise 1/4 Umdrehungen nach rechts drehen bis der Schlagbolzen gefangen wird.

Die Fanghebelrückholfeder ist zu schwach oder defekt:

- Der Abzug muss zur Reparatur ins Werk geschickt werden.

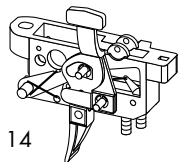
## 10. Sicherung

Links am Abzug befindet sich ein Sicherungshebel. Siehe hierzu Kapitel „Spannen, Laden, Sichern“.

## 11. Wartung

Siehe Kapitel „Reinigung, Wartung, Pflege und Öle“.

Best.-Nr.	Modell	Druckpunkt-Abzug	Direkt-Abzug	Eingestellt auf	Rechtsausführung	Linksausführung	Für Modelle	Für KK- Herstellungs-jahre	Für KK- Serien-Nr. ab
700.6540	1407-U9	●		150 g	●		1407, 1407 Z, 1409, 1411 1413, 1408 EDS	1959 - 1974	
700.6541	1408-U1	●		500 g	●				
700.6542	1408 D-U1		●	500 g	●				
700.6543	1411-U2	●		1500 g	●				
700.6550	5071/1	●		100 g	●		1607, 1613, 1608 EDS	1974-1979	143655 bis 182155
700.6560	5071/1 D		●	100 g	●				
700.6570	5075/1	●		550 g	●				
700.6580	5075/1 D		●	550 g	●				
700.6600	5018	●		100 g	●		1807, 1907, 1807 Z, 1907 Z 1907 Silh., 1807 Rep., 1907 Rep., 1907 Rep., 1912 1813, 1913, 1808 EDS 1808 D-RT, 1827, 1827F, 2007 2007/660, 2012, 2013 2013/690, 2013 Benchrest 54.18 MSR, 1808 MSR 2002 Compressed Air, 2020, 2025	ab 1979	ab 182156
700.6610	5018 L	●		100 g		●			
700.6620	5018 D		●	150 g	●				
700.6630	5018 LD		●	150 g		●			
700.6640	5020	●		550 g	●				
700.6650	5020 L	●		550 g		●			
700.6660	5020 D		●	550 g	●				
700.6670	5020 LD		●	550 g		●			
700.6670	5020 LD		●	550 g		●			
700.6670	5022	●		1500 g	●				
700.6800	5098	●		280 g	●		1903, 1416 MSP, 1403 Rep. 64 MSR		
700.6810	5098 L	●		280 g		●			
700.6860	5100 D		●	500 g	●				
700.6870	5100 LD		●	500 g		●			
700.6873	5103	●		1500 g	●				
700.6700	5019	●		100 g	●		2001 Superair		
700.6710	5021 D		●	550 g	●		2001 D-RT Superair		
700.6720	5021	●		100 g	●		2002 Superair		
800.0000	5024	●		1500 g	●				
700.6730	5023 D		●	550 g	●		2002 D-RT Superair		
700.6660	5020 D		●	550 g	●		2002 DRT Compr.Air, 1827, 1827F		
700.6881	5197		●	550 g	●		2027 Sommerbiathlon		



Bei der Bestellung von Abzügen nennen Sie bitte neben der Bestellnummer unbedingt auch das Abzugsmodell und das Gewehrmodell. Linksausführungen ergänzen Sie bitte mit "L".

<b>L</b>	= Linksausführung
<b>D</b>	= Direktabzug
<b>D-RT</b>	= Laufende Scheibe
<b>EDS</b>	= Laufende Scheibe
<b>Rep.</b>	= Mehrlader
<b>Silh.</b>	= Silhouette
<b>F</b>	= Fortner
<b>Z</b>	= Zimmerstutzen
<b>MSP</b>	= Silhouette Pistole
<b>MSR</b>	= Silhouette Gewehr

## Trockentrainingseinrichtung

Mittels dieser Einrichtung können Sie ohne Verwendung von Luftgewehrmunition wettkampfmässig trainieren.

- Pressluftkartusche 2-3 Umdrehungen ausschrauben, damit die Pressluftzufuhr in das System unterbrochen ist.
- Kompressionskammer durch Abschiessen entleeren, da auch bei unterbrochener Pressluftzufuhr noch Restluft in der Kompressionskammer ist.
- Trockentraining mit normalem Spannvorgang beginnen.

Die Kartusche kann für das Trockentraining auch komplett ausgeschraubt werden, was jedoch zu einer Verringerung des Gesamtgewichts führt (siehe hierzu Kapitel „Produktspezifische Sicherheitshinweise“).

## Pressluftkartusche

### Handhabung

Das Luftgewehr ist mit einer auswechselbaren Pressluftkartusche ausgerüstet. Die Pressluftkartusche kann in befülltem und unbefülltem Zustand ausgetauscht werden. Bei Lieferung sind die Pressluftkartuschen nicht fest eingeschraubt. Um das Gewinde der Pressluftkartusche vor Staub und Beschädigungen zu schützen bitte immer die Abdeckkappe benutzen.

### Achtung:

**Es dürfen nur Original-Anschütz Pressluftkartuschen (max. 200 bar) verwendet werden!**

## Einschrauben der Pressluftkartusche:

Die Pressluftkartusche muss langsam und vorsichtig in das Gewinde des Baugruppenträgers eingeschraubt werden, um Beschädigungen zu vermeiden.

### Achtung:

Bei den High Power Luftgewehr Modellen 2020 und 2025 ist vor dem Einschrauben der Pressluftkartusche darauf zu achten, dass der Spannhebel geöffnet ist, da sonst die Pressluft über den Lauf abbläst.

- Vor Inbetriebnahme befüllen und von Hand fest eindrehen.
- Kurz vor dem Anschlag ist ein deutlicher Widerstand spürbar, das Ventil öffnet sich dabei automatisch.
- Kartusche ca. eine weitere Umdrehung handfest eindrehen bis sie fest und luftdicht am Anschlag anliegt.

## Lösen der Pressluftkartusche:

Wir empfehlen zur Schonung von Gehäuse, Ventil und Dichtungen die Kartusche immer zu lösen, wenn Sie das Pressluftgewehr nicht benutzen.

Dazu:

- Kartusche ca. 2 Umdrehungen herausdrehen.
- Gewehr spannen und den Abzug auflösen, damit die Restluft entweichen kann.
- Vorgang 2-3 Mal wiederholen.
- Kartusche durch weitere 3-4 Umdrehungen vollständig herausdrehen.
- Die Kartusche kann somit ohne Druck auf den O-Ring ausgeschraubt werden.

## Auswechseln der Pressluftkartusche:

Pressluftkartusche durch Drehen gegen den Uhrzeigersinn von Hand oder mit Hilfe eines Schlüssels abschrauben.

## Achtung:

Kartusche immer so weit (mindestens 4 Umdrehungen) herausschrauben, bis deutlich hörbar die Luft entweicht. Erst dann die Kartusche wieder einschrauben. Damit werden Beschädigungen an der Dichtung vermieden.

## Füllen der Pressluftkartusche

Überprüfen Sie vor dem Befüllen der Kartusche alle Komponenten die mit dem Füllvorgang in Verbindung stehen, wie Nachfüllflasche, Nachfülladapter und Pressluftkartusche, auf Beschädigungen (z.B. an den Gewindegängen).

## Warnung:

- Nur Nachfüllflaschen mit einem Maximaldruck von 200 bar benutzen.
- Verwenden Sie ausschliesslich öl- und wasserfreie Pressluft (DIN EN 12021).
- Achten Sie darauf, dass die Anschlussgewinde öl- und fettfrei sind.
- Nur den mit Ihrem Gewehr mitgelieferten Adapter (Bestell-Nr. 711.3409) verwenden.
- Zum Nachfüllen empfehlen wir die Verwendung von Taucherflaschen.

## Füllen:

- Adapter auf die Nachfüllflasche aufschrauben.

- Pressluftkartusche vollständig auf den Adapter aufschrauben.
- Rändelschraube am Adapter handfest anziehen, damit keine Luft entweichen kann.
- Flaschenventil sehr langsam öffnen bis kein Strömungsgeräusch mehr zu hören ist.
- Nach ca. 5 Sekunden Füllzeit Flaschenventil wieder schliessen (Pressluftkartusche erwärmt sich leicht).
- Adapter durch Lösen der Rändelschraube entlüften.
- Rändelschraube am Adapter wieder eindrehen.
- Pressluftkartusche abschrauben und von Hand in das Gewehr einschrauben.

Eine vollständige Füllung (max. 200 bar) erlaubt ungefähr 330 Schüsse, (Restdruck ca. 65 bar), bei Juniorkartuschen 175 Schüsse. Es empfiehlt sich, die Pressluftkartuschen nie ganz zu entleeren. Die Pressluftflaschen (Bestell-Nr. 711.3510) können im Waffenfachhandel bezogen werden. Ein Nachfüllen der Pressluftflaschen ist ebenfalls im Waffenfachhandel oder auch in Fachgeschäften für Taucherausrüstungen möglich.

## Warnung:

Es werden auch Druckluftflaschen mit einem zulässigen Fülldruck von 300 bar angeboten, die das gleiche Füllstuzengewinde wie die Druckluftflaschen mit einem Fülldruck von 200 bar haben. Bei Benutzung von Druckluftflaschen mit 300 bar zum Befüllen der 200 bar Pressluftkartusche muss unbedingt ein auf 200 bar eingestellter Druckminderer verwendet werden. Aus Sicherheitsgründen ist es niemals zulässig, die

Pressluftkartusche über den zulässigen maximalen Druck (200 bar) zu befüllen, zu benutzen oder zu lagern. Bitte beachten Sie deshalb strikt die Vorschriften zur Befüllung der Pressluftkartusche und die entsprechenden Technischen Regeln (TRG).

## Reinigung, Wartung, Pflege, Öle

Ihr ANSCHÜTZ-Match-Luftgewehr benötigt selbst bei intensivem Gebrauch nur wenig Wartung. Dies verdankt es seiner ausgereiften Konstruktion, bester Werkstoffe und der bewährten ANSCHÜTZ-Präzision. Wenn Sie die folgenden Empfehlungen beachten, werden die guten Eigenschaften und besonders die Schussleistung Ihres Luftgewehres lange erhalten bleiben.

## Regelmässige Pflege nach jedem Schiessen:

- Nur harz- und säurefreie Öle zur Reinigung verwenden. Wir empfehlen hierzu unser Spezialfett 4425 (Bestell-Nr. 710.6310).
- Laufkegel an der Patronenlagerseite mit einem leicht eingeölte, fusselfreien Tuch abwischen, um Rostbildung durch Handschweiss oder Kondenswasser zu vermeiden.
- Sicherheitshalber ein leicht eingeölte und fusselfreies Tuch oder entsprechende Reinigungsdochte durch den Luftgewehrlauf vom Lager in Richtung Mündung ziehen, um Rostbildung zu vermeiden. Keine anderen Hilfsmittel, insbesondere keine Filzpfropfen, zur Reinigung verwenden.
- Vor dem nächsten Schiessen Ölfilm voll-

ständig mit einem trockenen Tuch oder mit Reinigungsdochten entfernen.

## Sorgfältige Reinigung nach ca. 2.000 - 3.000 Schuss:

- Lauf mit einer Messingbürste vom Patronenlager aus bis hinter die Mündung reinigen. Niemals Bürste im Lauf vor- und zurückziehen.
- Reinigungsdochte einige Male trocken durch den Lauf ziehen bis der letzte Reinigungsdocht keine nennenswerten Verunreinigungen mehr aufzeigt.
- Nach der Reinigung bzw. vor dem nächsten Schiessen ca. 10 Schüsse abgeben, um die gleichmässige Schussleistung wieder sicherzustellen (Ölschüsse).
- Aussenteile mit einem leicht öligen Lappen abwischen.

## Wartung des Abzugs:

- Drehlager einmal jährlich mit dünnflüssigem, kaltebeständigem Molybdän-Disulfid-Öl schmieren.
- Geringe Menge Öl mittels einer Nadel zwischen die Lagerteile tupfen.
- Innenteile des Abzugs nie mit Spray oder Öl auswaschen, um ein Verharzen, Verkleben oder Verschmutzen der Abzugsteile zu vermeiden.

## Achtung:

Bei der Pflege des Gewehrs dürfen kein Schmutz, keine Rückstände von Lösungsmitteln, Fette sowie ungeeignete Öle in die Abzugsvorrichtung gelangen. Wir empfehlen daher, das Gewehr so zu reinigen, dass es seitlich, am Besten sogar

mit dem Schaft nach oben liegt, wodurch eine Beeinträchtigung von Ventileinheit und Abzugsvorrichtung verhindert wird.

Schützen Sie Ihr Gewehr vor Staub und Sand, aber auch vor Feuchtigkeit oder Hitze und anderen schädlichen Einflüssen. Säugen Sie Ihren Gewehrkoffer oder Ihr Futteral einmal im Monat aus, um es von Staub und Fusseln zu befreien. Koffer und Futterale sollten einen glatten, staubabweisenden Innenbezug haben.

Achten Sie bei grösseren Temperaturschwankungen darauf, dass sich kein Kondenswasser bildet. Ist dies der Fall, muss es unbedingt sofort entfernt werden. Lassen Sie zu Hause Ihren Koffer oder das Futteral immer geöffnet, damit mögliche Feuchtigkeit entweichen kann.

Achten Sie auf eventuell auftretende Veränderungen oder Schäden. In einem solchen Fall bringen Sie Ihr Gewehr am besten sofort zur Überprüfung in eine autorisierte Büchsenmacherwerkstatt oder senden es an uns.

Um die Gefahr von Schaftbrüchen beim Transport zu reduzieren, empfehlen wir insbesondere bei Flügen, das System vom Schaft zu lösen.

Bei sehr starkem Gebrauch Ihres Gewehres empfehlen wir, dass Sie die Dichtungen jährlich überprüfen lassen.

## Zubehör

Bitte fordern Sie unseren Katalog an.

## Produktspezifisches Zubehör

### Zusatzgewichte

Ihr Luftgewehr kann u. a. auf vier einfache Arten Ihren persönlichen Gewichtsvorstellungen angepasst werden.

1. Laufgewichte:  
durch Verschieben, zusätzliches Anbringen oder Weglassen des Laufzusatzgewichts (50g) 400-56 C (Bestell-Nr. 700.6350) oder 4745 (Bestell-Nr 700.6340).

2. Schaftgewichte:  
diese können in verschiedenen Aussparungen, z. B. unterhalb der Profilschiene angebracht werden. Hierzu Profilschiene abschrauben.

3. Gewichtsringe:  
durch Anbringen an den Säulen der Backen und Kappenverstellung (Bestell-Nr. 711.3805).

4. Schwere Stahlsäulen:  
ca. 100 g. Für Backenverstellung (Bestell-Nr. 700.6337). Für Kappenverstellung (Bestell-Nr. 700.6338).

### Laufverlängerung

Durch die Laufverlängerung 2002-9100 (Bestell-Nr. 700.1240) kann die Länge des Laufs um 70 mm (Maximalmass) verlängert werden.

## Garantie

Die Garantie wird für 2 Jahre ab Verkaufsdatum gewährleistet. Verschleissteile sind hiervon ausgenommen. Im Garantiefalle leisten wir kostenlosen Ersatz der defekten Teile. Die Garantie kann nur geltend gemacht werden, wenn der reklamierte Artikel und **der zugehörige Kaufbeleg nebst ausgefüllter Garantiekarte vorgelegt werden**. Die Garantie entfällt automatisch sofort, wenn Änderungen oder Reparaturen von Personen durchgeführt werden, die dazu nicht autorisiert sind, wenn die Pistole nicht fachgerecht bedient wird, wenn nicht gesetzeskonforme Änderungen bzw. Manipulationen vorgenommen worden sind, wenn Versiegelungen beschädigt oder wenn keine ANSCHÜTZ-Original-Teile verwendet werden.

Wir wünschen Ihnen mit Ihrem ANSCHÜTZ-Produkt viel Freude und Erfolg. Über Anregungen zur Verbesserung unserer Produkte sowie zur Gestaltung dieser Bedienungsanleitung würden wir uns sehr freuen.

## Urheberschutz

Produktspezifikationen, Konstruktions- und Modelländerungen sind ohne vorhergehende Ankündigung vorbehalten. Alle Mass- und Farbangaben sind freibleibend. Druckfehler, Irrtum und Zwischenverkauf sind ebenfalls vorbehalten. Lieferung ausschliesslich über den Fachhandel, gegen Altersnachweis und Erwerbsberechtigung.

ANSCHÜTZ, das ANSCHÜTZ-Logo und das ANSCHÜTZ-Logo in Verbindung mit dem Schriftzug „Die Meister Macher“ (auch in abgeänderter Schreibweise) sind markenrechtlich geschützte Zeichen der J.G. ANSCHÜTZ GmbH & Co. KG, Ulm, Germany. Die Benutzung dieser Zeichen ist ohne Zustimmung der Firma J.G. ANSCHÜTZ GmbH & Co. KG unzulässig und strafbar.

Diese Bedienungsanleitung ist ein Schriftwerk im Sinne des § 2 (1), Nr. 1 des Urheberrechtsgesetzes. Die Verwertung der Bedienungsanleitung, auch auszugsweise ist ohne Zustimmung der Firma J.G. ANSCHÜTZ GmbH & Co. KG unzulässig und strafbar. Insbesondere gilt dies für Vervielfältigungen, Übersetzungen und die Einspeicherung in elektronische Systeme.

## Preface

*Dear Friends of ANSCHÜTZ,  
You have made a good choice, now that you have decided to buy an ANSCHÜTZ product. The many great results obtained with ANSCHÜTZ rifles by target shooters, participants in the Olympic Games as well as in World and European championships made your choice easy, as your rifle has benefited from our great experience of making fine sporting and target rifles since 1856. World-wide, ANSCHÜTZ rifles are respected because of their fine accuracy, impeccable design and immaculate workmanship. Should you still be unaware, they include:*

*Air rifles, repeater summer biathlon air rifles, small bore biathlon rifles, Flobert rifles, small bore single loaders and repeaters, hunting rifles and shotguns in diverse calibers, the famous ANSCHÜTZ small bore target rifles and air rifles and silhouette pistols and silhouette rifles.*

## Safety instructions

### Attention:

Please read carefully the following articles before using this rifle. It is extremely important that you become thoroughly familiar with this rifle and its operating characteristics by carefully reading and understanding the instructions in this booklet before you attempt any use of it with ammunition. Always remember the sequence of disassembly. Should you still

have problems with the safe usage and correct handling of your rifle or should you have additional questions, please do not hesitate to contact a competent gunsmith or dealer or address our factory directly. This instruction leaflet is extraordinarily important. Make sure that it is always with the rifle especially when it is sold, lent or otherwise given to a third person. Our products are exclusively meant for target shooting. Their use is subject to the „General Technical Rules“ for all target shooting disciplines of the INTERNATIONAL SHOOTING SPORT FEDERATION (ISSF), Bavariaring 21, 80336 München, Germany or to the rules of the INTERNATIONAL BIATHLON UNION, Airport-center, Postbox 1, A-5073 Wals-Himmelreich, Austria. Additional copies of this booklet can be ordered.

### Warning:

This rifle can be dangerous if it is not used correctly or if this instruction leaflet is not observed. The privilege of ownership and safe use of your rifle carries a personal responsibility that no one should take lightly. Rifle accidents would not occur if the following rules of shooting safety were observed.

## General handling of rifles

1. Treat every rifle as though it was loaded. Do not take anyone's word or automatically assume it is not loaded. Check your rifle personally each time you handle it. The safe and courteous way to carry a rifle when you are with others is to leave the bolt open so that they can easily see that the rifle cannot be fired. Make sure that the rifle is not loaded when you stop shooting. Make sure your rifle is unloaded before every transport. Never pick up your rifle with your finger on the trigger or the trigger guard.

2. Whenever you pick up your rifle, point the muzzle at the ground. Always point the muzzle of the barrel in a safe direction. Never pull a rifle towards you by the muzzle.

3. Only use your rifle in approved shooting ranges. Shoot your rifle only under good visibility and daylight conditions. If you use your rifle in an indoors range, make sure it is adequately ventilated. Make sure that there is a safe bullet trap which can be seen from all sides and that there is no one in the vicinity of your target. Be absolutely sure of a safe backstop and target. Never fire at a hard, smooth surface or water. Never shoot at a skyline target or into the air. Do not shoot at anything from which a bullet may ricochet. Never fire your rifle with the muzzle in the water or against any other material to avoid an accident or damage of your rifle.

4. Be sure that you use the correct ammunition. The correct calibre can be seen on your rifle. Load your rifle only when you are at the range and ready to shoot.

5. Always keep your rifle clean. Be sure the bore is not obstructed by dirt, water, grease or any other foreign materials.

6. Place the safety fully into „S“ or „F“ position - never inbetween. Always keep safety in full „safe“ position until ready to fire. Do not put your finger on the trigger when operating the safety or whenever you are not ready to shoot.

7. When not in use your rifle should be stored in a locked and secure place accessible only to you. Check first to make sure it is unloaded. Store the rifle with uncocked trigger. Store ammunition in a separate and secure place. It is your special responsibility to make sure that at all times and especially when you are not present your rifle is well secured, out of any reach of children and other unauthorised persons and in no way accessible to them. For the safe storage of your rifle even in a locked cabinet or safe the use of an additional trigger lock is recommended.

Only give your rifle to authorised persons. Never let your rifle be used by anyone who is not familiar with the safe handling of a rifle and these instructions. This rifle must only be used by a responsible adult or under his or her supervision.

8. Watch for any change in the operation of your rifle which might impair its safety. If you suspect or note a defect or malfunction, stop using it immediately, unload the rifle, make sure that it is not under pressure and send it to a competent gunsmith, the factory or its recommended repair station for inspection. Note: Apart from normal cleaning the rifle must only be disassembled

by an authorized gunsmith. Unqualified handling or disassembly can cause injuries or irreparable damage of the rifle.

9. Your rifle should always be handled with extreme care. Make sure that it is never dropped or placed in such a way that it can fall. For transport purposes your rifle should be dry and clean. We recommend an approved protective gun case.

10. You must be in good physical condition and mental health and not under the influence of any substance (drugs, alcohol) which might impair vision, dexterity or judgement. Do not use your rifle when you are tired. Tiredness may result in a loss of control.

11. Clean your hands carefully after shooting and cleaning your ANSCHÜTZ product. Residues of bullets, powder or oil might impair the health of your skin.

12. Your ANSCHÜTZ rifle has been carefully built and inspected by skilled technicians to provide maximum efficiency. The service life depends on the owner's care and on cleaning following the owner's manual closely.

## Ear and eye protection

You and other persons should always use approved hearing protection and approved shatterproof eye protection while shooting.

## Laws

When using a rifle observe the corresponding regulations and laws for the use of firearms in your country.

## Product relating safety instructions

### Attention:

for Model 2025:

$v_0$ : 245 m/s (803.8 ft/s)

Energy: 20,4 J (15.06 ftlbf)

for Model 2020:

$v_0$ : 210 m/s (688.9 ft/s)

Energy: 15 J (11.06 ftlbf)

### Important note for the handling of compressed air cylinders:

1. Only check the manometer level of the compressed air cylinder when the rifle is unloaded and uncocked. Never check it while filling the compressed air cylinder. Due to its design the manometer works with an accuracy of +/- 10 %. Temperature variations can also impair the accuracy of the manometer.

2. Filled compressed air cylinders must not be exposed to temperatures of more than 50° Celsius/120° Fahrenheit. Therefore make sure during transport or storage that the rifle is protected against heat, for example by storing it in the Styrofoam packing or by using a gun case. In planes compressed air cylinders are only transported when they are not filled.

3. To empty the compressed air cylinder we recommend to use our air release screw (Order-No. 711.3408). After approximately 20 refills of the compressed air cylinder it should be emptied completely to get rid off possible condensed water.

4. Compressed air cylinders which are leaky, defective or older than 10 years must be emptied and must not be used and filled anymore. After 10 years from the date of manufacture the compressed air cylinder must be checked by the manufacturer for a fee. The date of manufacture can be seen from the compressed air cylinder.

5. Compressed air cylinders and refill bottles must be stored in a dry, dust and grease/oil free place.

6. Protect valves and threads with the corresponding caps when you have removed the compressed air cylinder. **Never grease or oil the valves or threads of the compressed air cylinder. Danger of explosion!**

7. Compressed air cylinders must not be filled with more than 200 bar (2,790 psi) at room temperature. Only use compressed air free of oil or water (DIN EN 12021 - inhaled air). According to legal regulations we only deliver unfilled compressed air cylinders.

8. Never try to open a compressed air cylinder yourself or to carry out mechanic modifications. Protect your compressed air cylinder against external force.

9. Apart from the notes above the technical rules of your country with regard to the

filling of compressed air cylinders must be observed.

## Liability

1. ANSCHÜTZ does not assume any responsibility or payment of damage claims for damages of any kind resulting from the disregard of these instructions, non-qualified treatment or repair, the use of non-original ANSCHÜTZ spare parts, incorrect handling, negligence, removal of the knot varnish or unauthorized modifications.

2. The stock of this rifle has been very carefully checked by factory inspectors prior to shipment and has been determined to be free of defects. Certain kinds of abuse, such as dropping of the rifle can cause damage to the stock for which the owner is solely responsible. We also assume no responsibility for defects resulting from inappropriate transportation (mail, plane, etc.). Please immediately contact your transporter in such a case.

3. Changes or alterations to this rifle or any of its parts are prohibited. Such changes or alterations can significantly impair the safe use of our product and can lead to accidents involving severe or even fatal bodily injuries. Any product warranty will automatically lapse in case changes or alterations are implemented. Users are requested to carefully inspect the product with regard to possible changes and alterations before use. In case of doubt you should contact us for further information.



## Match Air Rifles 2002 Compressed Air, 2002 Compressed Air Junior

### Technical Data:

Caliber:	4.5 mm
Barrel length:	64 cm/26.2"
	Junior: 53cm/20.8"
Rifling:	42 cm/16.5"
Total length:	108 cm/42.5"
	Junior: 88cm/34.6"
Sighting line:	77 cm/30.3"
	Junior: 66 cm/25.9"
Weight:	4.6 kg/10.1 lbs
	Junior: 3.6 kg/7.9 lbs
Version:	Single loader

### Assembly, fitting the ANSCHÜTZ barreled action

The stock and the barreled action are packed separately for shipment and need to be assembled. However, do not do this until you have followed all the procedures listed below.

- Wipe away excess surface oil
- Insert the barreled action into the stock
- Screw in bedding screws (two) with enclosed Allen wrench Model No. 4406 (Order No. 710.6301) and tighten them alternately and uniformly. For correct adjustments we recommend our torque wrench model No. 4405 (Order No. 700.6180), which is to be adjusted to 5 Nm (= 50 cmkp) for wood stocks and to 6 Nm (60 cmkp) for aluminum stocks.
- Pull a cleaning patch through the barrel from the chamber towards the muzzle.

After the first assembly there might be a warping of the wood. We would therefore recommend to loosen and tighten the bedding screws again after some time. Check the tight fit of the screws before every shooting.

### Cocking, loading and safety operation

- to cock the cocking piston lift the loading lever and pull it backwards until it is vertical.
- to load push the diabolo pellet with its flat head flush with the front of the loading platform.
- to lock the breech press the lever forward and down until you feel that it locked into position.
- the signal pin at the end of the action indicates that the rifle (with filled compressed air cylinder) is ready for shooting.

The lateral safety lever can be operated when the rifle is cocked.

#### The rifle is

- safe, when the "S" (safe) is visible but the "F" (fire) is covered
- ready for shooting when the "F" (fire) is visible but the "S" (safe) is covered.

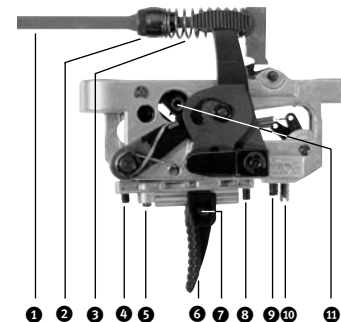
#### Attention:

The safety lever must latch properly so that the "F" is covered in the "safe" position and the "S" is covered in the "fire" position. The lever must never be situated between the two. Do not store the rifle when it is cocked.

Remove the compressed air cylinder before storing your rifle (also see chapter "Compressed Air Cylinder/Handling"). Only use diabolo pellets in the caliber of your air rifle, no bolts or other foreign materials.

### Unloading

It is only possible to remove a pellet from the action by firing it off which should only be done by firing it into a bullet trap. Observe the safety regulations with regard to the safe handling of rifles.



### Trigger

#### Warning:

Your ANSCHÜTZ target rifle offers you a versatility of individual adjusting properties. Please make sure that your rifle always is unloaded when carrying out adjustments.

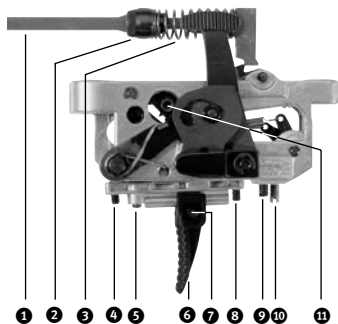
### Trigger adjustments

#### 1. Trigger weight

Adjust the trigger weight with set screw No. 10 (silver screw):

- if you turn it to the right:  
trigger weight is increased (+)
- if you turn it to the left:  
trigger weight is decreased (-)

Trigger weight and first stage weight depend on each other with regard to the mechanic mechanism. If one of them is changed there will always be a corresponding change of the other as well.



of the trigger weight and first stage weight are carried out with the set screws No. 10 (trigger weight) and No.9 (first stage weight).

## 2. First stage weight (only for two-stage triggers)

Adjust first stage weight with set screw No. 9 (black screw):

- if you turn it to the right:  
first stage weight is increased (+)
- if you turn it to the left:  
first stage weight is decreased (-)

Trigger weight and first stage weight depend on each other with regard to the mechanic mechanism. If one of them is changed there will always be a corresponding change of the other as well.

### Attention:

Do not reduce either trigger weight screw to zero or lower as the trigger pull may become erratic.

## 3. Sear engagement

The sear engagement is the distance between the second stage and the release of the trigger.

### Important note:

To protect your precise trigger and to guarantee perfect operation you should always close the action carefully. If the sear engagement of single stage triggers is too small and the trigger weight is too low or if the first stage of two-stage triggers is too short, the trigger might release inadvertently

by a sudden impact or too powerful closing of the action if the rifle is loaded and not in the "safe" position.

Adjustment of the sear engagement for **two-stage triggers** with set screw No. 5:

- if you turn it to the right:  
sear engagement is shortened
- if you turn it to the left:  
sear engagement is extended

Adjustment of an optimum sear engagement: Make sure your rifle is not loaded. Cock your rifle and release the trigger. Check if the trigger releases as desired.

The sear engagement is too long:  
There is a small distance between the second stage and the release of the trigger.

- Turn set screw No. 5 clockwise after cocking and releasing (approximately  $\frac{1}{8}$  turn each).
- Repeat this process until you do not feel the second stage anymore. Then turn  $\frac{1}{5}$  turn back to the left. Thus the optimum sear engagement is adjusted.

The sear engagement is too short:  
There is no second stage. The trigger releases undefined without second stage.

- Turn set screw No. 5 counter-clockwise for at least  $\frac{1}{4}$  turn after cocking. Then release the trigger and check if there is a second stage. If not, repeat this procedure until you feel a second stage.
- As soon as you feel a second stage proceed according to the points of the paragraph „The sear engagement is too long“ to obtain an optimum sear engagement.

For the adjustment of the sear engagement for **single stage triggers** with set screw No. 5 see point 7:

## 4. First stage (only for single stage triggers):

The single stage is the distance between the trigger blade from zero position to the second stage.

Adjustment of first stage with set screw No. 4:

- if you turn it to the right:  
first stage is shortened
- if you turn it to the left:  
first stage is extended

### Caution:

Set screw No. 4 (first stage) can be turned past the second stage function. In this case the trigger does not work anymore. **Danger!** Do not under no circumstances remove the first stage completely in order to change the two-stage trigger into a single stage trigger.

## 5. Trigger stop:

The trigger stop is the distance from the second stage to the stop of the trigger blade.

Adjustment of the trigger stop with set screw No. 8:

- if you turn it to the right:  
overtravel is shortened
- if you turn it to the left:  
overtravel is extended

## To move trigger cam No. 11:

- lowest position of the trigger cam:  
lowest trigger weight
- highest position of the trigger cam:  
highest trigger weight

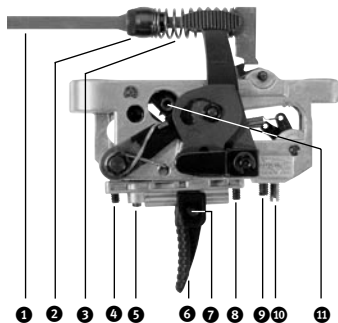
If the trigger weight is to be more than 200 g, the trigger cam No. 11 must be adjusted to the highest position (turn it by 180° and fix it then). To do this you need a 2 mm hex key and perhaps tweezers.

- if you turn it to the left:  
You release the screw
- if you turn it to the right:  
You tighten the screw

### Attention:

Please ensure the trigger cam is positioned correctly. Be very careful tightening the small cam screw as it is easily broken!

Please check the sear engagement according to paragraph No. 3 when you have finished this process. It might have to be adjusted as well. The precise adjustments



The trigger is now adjusted to single stage operation, there is no more first stage.

### Warning:

Single stage triggers are very sensitive and must be operated with special care.

The sear engagement of  $5/100$  mm is obtained after the action is closed. In combination with a minimum trigger weight there might be a malfunction and an **increased risk (independent shot release)**.

### 8. Change of single stage trigger into two-stage trigger

- Turn trigger stop set screw No. 8 approx.  $2 \frac{1}{2}$  turns to the left (adjust max. trigger stop longer).
- Release the safety of the trigger and cock the rifle.
- Turn set screw No. 5 approx.  $2 \frac{1}{2}$  turns counter-clockwise.
- You should now feel a second stage
- To adjust the optimum sear engagement proceed according to paragraph 3.
- Perhaps you have to adjust the first stage according to paragraph 4, the trigger stop according to paragraph 5, the trigger weight according to paragraph 1 and the first stage weight according to paragraph 2 to the desired values.

### 9. Malfunctions of the trigger due to wrong adjustment procedure

If the trigger is not adjusted correctly malfunctions may occur, tampering with the

trigger adjustments will not result in any success. Therefore proceed as follows: After every change the function of the trigger must be checked. When the malfunction is removed check the desired trigger values and adjust them again if necessary.

The trigger catches the firing pin, but the trigger does not release:

- Make sure that the safety of the trigger is released.
- Check if there is a trigger cam and that it is attached correctly.
- The trigger stop set screw No. 8 is screwed in too much. Turn it a few turns to the left until the cocking piston or firing pin will release again.

### The trigger does not catch the cocking piston or firing pin:

- Set screw No. 4 (first stage) is screwed in too much.
- Check to see if the spring is correctly attached and not defective.

### The first stage trigger is adjusted too tightly:

- Turn set screw No. 5 stepwise  $1/4$  turn to the right until the firing pin is caught.

### Catch rebound spring is too weak or defective:

- Send your trigger to the factory or your service center for inspection.

### 10. Safety

On the left side of the trigger there is a safety lever. Please see chapter „Cocking, loading and safety operation“.

### 11. Maintenance

Please see chapter „Cleaning, maintenance, care, lubrication“.

### Attention:

The trigger stop set screw No. 8 can be turned over the second stage or first stage function. Malfunction (the trigger does not release)!

### 6. Adjustment of the trigger blade

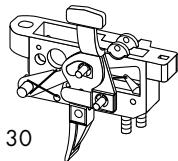
- Loosen hex screw No. 7
- Trigger blade No. 6 can be moved in the longitudinal guide and can be tilted laterally.

### 7. Change of two-stage trigger into single stage trigger

#### Adjusting process:

- Turn first stage weight screw No. 4 clockwise until you have reached the maximum first stage.
- Cock the rifle.
- Turn set screw No. 5 (first stage) clockwise until the trigger releases.
- Turn set screw No. 5 from this position approx.  $1/4$  turn counter-clockwise.

Order No.	Model	Two-stage trigger	Single-stage trigger	Adjusted to	Right hand version	Left hand version	For models	For small bore models production years	For small bore models serial-no. starting from
700.6540	1407-U9	●		150 g	●		1407, 1407 Z, 1409, 1411 1413, 1408 EDS	1959 - 1974	
700.6541	1408-U1	●		500 g	●				
700.6542	1408 D-U1		●	500 g	●				
700.6543	1411-U2	●		1500 g	●				
700.6550	5071/1	●		100 g	●		1607, 1613, 1608 EDS	1974-1979	143655 to 182155
700.6560	5071/1 D		●	100 g	●				
700.6570	5075/1	●		550 g	●				
700.6580	5075/1 D		●	550 g	●				
700.6600	5018	●		100 g	●		1807, 1907, 1807 Z, 1907 Z 1907 Silh., 1807 Rep. 1907 Rep., 1907 Rep., 1912 1813, 1913, 1808 EDS 1808 D-RT, 1827, 1827F, 2007 2007/660, 2012, 2013 2013/690, 2013 Benchrest 54.18 MSR, 1808 MSR 2002 Compressed Air, 2020, 2025	starting from 182156	
700.6610	5018 L	●		100 g	●				
700.6620	5018 D		●	150 g	●				
700.6630	5018 L D		●	150 g	●				
700.6640	5020	●		550 g	●				
700.6650	5020 L	●		550 g	●				
700.6660	5020 D		●	550 g	●				
700.6670	5020 L D		●	550 g	●				
700.6740	5022	●		1500 g	●				
700.6800	5098	●		280 g	●				
700.6810	5098 L	●		280 g	●				
700.6860	5100 D		●	500 g	●				
700.6870	5100 L D		●	500 g	●				
700.6873	5103		●	1500 g	●				
700.6700	5019	●		100 g	●		2001 Superair		
700.6710	5021 D		●	550 g	●		2001 D-RT Superair		
700.6720	5021	●		100 g	●		2002 Superair		
800.0000	5024	●		1500 g	●				
700.6730	5023 D		●	550 g	●		2002 D-RT Superair		
700.6660	5020 D		●	550 g	●		2002 D-RT Compr. Air, 1827, 1827F		
700.6881	5197		●	550 g	●		2027 Summer biathlon		



When you order trigger parts please indicate the order number, type of rifle model together with the trigger model number. For left hand versions please add "L"

<b>L</b>	= Left hand version
<b>D</b>	= Single-stage trigger
<b>D-RT</b>	= Running target
<b>EDS</b>	= Running target
<b>Rep.</b>	= Repeater
<b>Silh.</b>	= Silhouette
<b>F</b>	= Fortner
<b>Z</b>	= "Zimmerstutzen"
<b>MSP</b>	= Silhouette pistol
<b>MSR</b>	= Silhouette rifle

## Dry firing device

You can do dry firing without using any air rifle pellets.

- Turn the compressed air cylinder 2-3 turns out to interrupt the connection between the compressed air cylinder and the chamber.
- Empty the compression chamber by firing because there is still air in the chamber even if the supply of compressed air has been interrupted.
- Start dry firing by cocking as usual.

The compressed air cylinder can also be removed completely for dry firing. However, this reduces the total weight (please see chapter „Product related safety instructions“).

## Compressed Air Cylinder

### Handling

The rifle is equipped with an interchangeable compressed air cylinder. The compressed air cylinder can be changed whether it is filled or not. The compressed air cylinders are not screwed in all the way when they come from the factory. To protect the thread of the compressed air cylinder against dust and damage please always use the cap.

**Warning: Only original Anschütz compressed air cylinders (max. 200 bar) must be used!**

### To attach the compressed air cylinder:

The compressed air cylinder must be screwed in slowly and carefully to avoid any damage.

### Attention:

Make sure that for High Power air rifle models 2020 and 2025 the cocking piston is open before screwing in the compressed air cylinder as otherwise the compressed air will escape via the barrel.

- Fill the compressed air cylinder before use and screw it in manually.
- You feel a resistance before you reach the stop, the valve thus opens automatically.
- Screw the compressed air cylinder in for approx. one more turn until there is an airtight connection at the stop.

### To remove the compressed air cylinder

To protect the housing, valves and seals we recommend you always remove the compressed air cylinder when you do not use your compressed air rifle.

- Screw the compressed air cylinder 2 turns out.
- Cock the rifle and release the trigger so that the remaining air can escape.
- Repeat this process once or twice.
- Screw out the compressed air cylinder completely by 3-4 further turns.
- Thus the compressed air cylinder can be screwed out without any pressure on the o-ring.

### To change the compressed air cylinder:

- Screw out the compressed air cylinder by turning it counter-clockwise either manually or with a key. Attention: Screw out the compressed air cylinder until you hear the air escape (at least four turns).

Then screw in the compressed air cylinder again. Thus a damage to the seals will be avoided.

## To fill the compressed air cylinder

Before you fill the compressed air cylinder, please check all components which are used in this process such as refill bottle, refill adapter and compressed air cylinder for defects (e.g. at the threads).

### Warning:

- Only use refill bottles with a maximum pressure of 200 bar (2,790 psi)
- Only use compressed air free of oil and water (DIN EN 12021).
- Make sure that there is no oil or grease on the connecting threads.
- Only use the adapter (Order No. 711.3409), which is delivered with your rifle.
- To refill the compressed air cylinder we recommend the use of diving bottles.

### Filling process:

- Screw the adapter on the refill bottle.
- Screw the compressed air cylinder onto the adapter
- Tighten the hexagon screw of the adapter by hand to prevent air escape.
- Open the valve of the bottle very slowly until no more flow noise is audible.
- Close the valve of the compressed air bottle after approx. 5 seconds (The compressed air cylinder will heat up slightly).
- Empty the adapter by releasing the screw.
- Screw the screw into the adapter again.
- Remove the compressed air cylinder and screw it on the rifle by hand.

With a full cylinder (max. 200 bar/2790 psi) approx. 330 shots (remaining pressure 65 bar / 943 psi) can be fired. With a Junior compressed air cylinder 175 shots can be fired. We recommend to never empty the compressed air cylinder completely. Compressed air bottles (Order No. 711.3510) are available in specialised gun shops. The refilling of compressed air cylinders is also possible in specialised gun shops or in shops for diving equipment.

### Warning:

Compressed air bottles with an allowed filling pressure of 300 bar (4,185 psi) are offered as well. These bottles have the same thread as the bottles with a filling pressure of 200 bar (2,790 psi). In case you use a bottle with a filling pressure of 300 bar (4,185 psi) it is absolutely necessary to use a pressure reducer which is adapted to 200 bar /2,790 psi). For reasons of safety it is not allowed to fill the compressed air cylinder with more than the maximum pressure of 200 bar (2,790 psi). It is also not allowed to use such a compressed air cylinder or to store it. Please therefore strictly observe the instructions for the filling of the compressed air cylinder and the corresponding technical rules of your country.

## Cleaning, Maintenance, Care, Lubrication

Even after considerable use, your ANSCHÜTZ rifle will not require much attention - a tribute to its solid design, first class materials, well proven ANSCHÜTZ workmanship and precision. If you follow

the recommendations below, you will help maintain the excellent performance of your rifle for a long time.

### Regular care after every shooting:

- Please only use resin and acid free oils. We recommend our special grease 4425 (Order No. 710.6310)
- Clean the cone of the barrel with a slightly oiled, lint-free cloth to avoid corrosion which might occur as a result of humid hands or condensed water.
- To avoid corrosion you also should clean your barrel with a slightly oiled, lint-free cloth or cleaning cords pulling them through the barrel from the chamber to the muzzle. Please use no other means for cleaning especially no VFG felt pellets.
- Remove the oil film with a dry cloth or cleaning cords before you shoot again.

### Careful cleaning after approx. 2,000 to 3,000 shots:

- The barrel is cleaned with a brass brush from the chamber to the muzzle. Never move the brush back and forth in the barrel.
- Then pull cleaning cords in dry condition through the barrel until the last one shows no considerable dirt.
- After cleaning or before shooting the next time fire 10 to 20 shots to get back to the former shooting performance (oil shots).
- Clean external parts with a slightly oiled cloth.

### Maintenance of the trigger:

- Lubricate the bearings slightly with cold resistant molybdenum disulphide grease once a year.

- Spot a small amount of oil into the bearing parts using a needle.
- The internal parts should not be washed with spray or oil to avoid resin or other residues in the trigger.

### Attention:

When cleaning the rifle no dirt, residues of solvents, grease or non-suitable oils must get into the trigger mechanism. We therefore recommend either to clean your gun in a way that it is horizontal or even with the stock up to avoid any contamination of the valve unit and trigger mechanism.

Protect your rifle against dust, sand, humidity, heat and other harmful influences. Vacuum clean your gun case or soft gun case once a month to remove dust and lint. Gun cases and soft gun cases should have a smooth and dust rejecting inner lining.

Be aware that condensed water might occur as a result of temperature variations. In such a case it has to be removed at once. Leave your gun case or soft gun case open when you store them at home so that possible humidity can escape.

Be aware of other possible changes or damage. In such a case take your rifle to an authorized gunsmith for checking or send it to our factory.

To reduce the risk of damage in transit we recommend the disassembly of the barreled action from the stock.

When you use your rifle frequently we recommend having the seals and the piston checked once a year.

## Accessories

Please ask for our catalogue.

## Special accessories

### Additional weights

The air rifle can be adapted to your individual requirements among others in four easy ways:

1. Barrel weights:  
by pushing, adding or removing the additional weight (50 g) 400-56 C (Order No. 700.6350)
2. Stock weights:  
they can be put in various grooves, for example below the sliding rail. To do this remove the sliding rail.
3. Weight rings:  
by adding them to the columns of the cheek piece and butt plate adjustment (Order No. 711.3805).
4. Heavy steel columns:  
approx. 100 g. For cheek piece adjustment (Order No. 700.6337). For butt plate adjustment (Order No. 700.6338)

### Barrel extension

With the barrel extension 2002-9199 (Order No. 700.1240) the length of the barrel can be extended by 70 mm (max. length).

## Warranty

A warranty of 2 years will be issued. Parts which are subjected to wear are not part of this warranty. In the case of warranty we substitute the defective parts free of charge. Cases of warranty will only be accepted if the article in question and the corresponding purchase receipt plus filled-in warranty card are presented. Warranty will not be accepted if changes or repair works have been carried out by persons who are not authorised, if the rifle is not used correctly or if non-ANSCHÜTZ original parts were used.

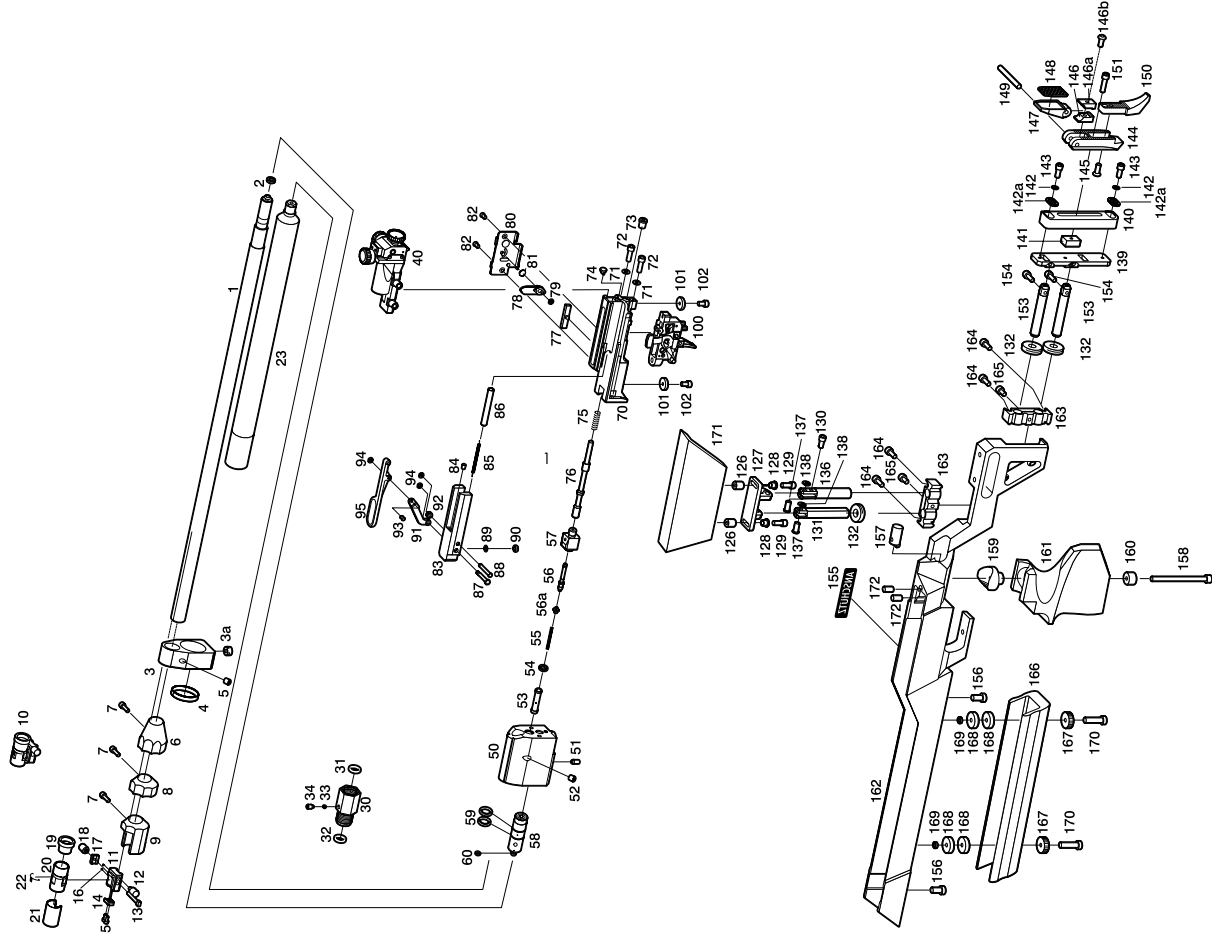
We wish you much pleasure and success with your ANSCHÜTZ product and would be pleased if you could let us have your ideas on our products and the design of this instruction leaflet.

## Copyright

Product specifications, design and model changes are subject to change without prior notice. Dimensions and colors are subject to change. With reservation of misprints and errors. Goods are subject to prior sale. Delivery subject to the presentation of the referring license for the purchase of firearms.

ANSCHÜTZ, the ANSCHÜTZ logo and the ANSCHÜTZ logo in connection with the slogan „Die Meister Macher“ (also in modified spelling) are protected brands of J.G. ANSCHÜTZ GmbH & Co. KG, Ulm, Germany. The unauthorized use of this brand name is not allowed and punishable.

All rights of this instruction leaflet reserved. The use of the instruction leaflet, also in excerpts, is not allowed without the permission of J.G. ANSCHÜTZ GmbH & Co. KG and otherwise is punishable. This is especially applicable for unauthorized copying, translations and read-ins in electronic systems.



## Original-Ersatzteilliste 2002 · 2002L Pressluft mit Aluschaft

## List of component parts 2002 · 2002L Compressed Air with Alu-Stock



DIE MEISTER MACHER

Nr. / No. 1 - 78	Bestell-Nr. Order-No.	2002 Pressluft	2002 L Pressluft	Benennung	Description	Kennnummer Code number	Preisgruppe Price group
1	001745	0	0	Lauf, vollständig	Barrel, cpl.	0430-110-00-01-3	M4
2	005025	0	0	O-Ring	O-ring	7 x 2	D1
3	002706	0	0	Lagerbuch, kpl.	Bearing block, cpl.	430-033	C13
3a	002652	0	0	ENSAF-Buchse M 6x0,75	Sleeve M 6x0,75	430-006	C1
4	004560	0	0	Faltstreifen	Falt strip	5x4-890	B1
5	004787	0	0	Gewindestift (2)	Threaded pin (2)	M 6x6 DIN 913	B1
6	002494	0	0	Gewichtsring	Barrel weight ring	400-56 d	O1
7	004728	0	0	Zylinder-schraube (3)	Socket head screw (3)	M 3x10 DIN 912	A1
8	001190	0	0	Gewichtsring #700.6350	Barrel weight ring #700.6350	400-56 c	•
9	002490	0	0	Gewichtsring	Barrel weight ring	400-56 b	•
10	000982	0	0	Kornmael, kpl. #700.0221	Front sight, cpl. #700.0221	6882	•
11	004261	0	0	Kornfuss	Sight base	6586-4/1	C1
12	004241	0	0	Kornschraube für Kornfuss	Horizontal sight screw	6554	XI
13	004265	0	0	Gewindebolzen	Horizontal sight bolt	6586-10	E1
14	004263	0	0	Druckstück	Front sight tube clamp	6586-5/1	H1
15	004726	0	0	Zylinder-schraube (2)	Socket head screw (2)	M 3x8 DIN 912	A1
16	004491	0	0	Druckfeder (2)	Pressure spring (2)	6850-24	A1
17	004268	0	0	Klemmstück	Rail clamp	6586-12/3	D1
18	004270	0	0	Mutter	Rail clamp nut	6586-13	D1
19	004271	0	0	Klemmring	Clamp ring	6586-18	H1
20	004260	0	0	Kornmael	Front sight hood	6586-1/2	D2
21	001410	0	0	Abletkehülse #700.1220	Cover #700.1220	6586-20	•
22	004231	0	0	Schwinge	Internal cam indicator	6540-21	C1
23	001526	0	0	Aluminium Kartusche # 711.3415	compressed air cylinder #711.3415	00430-1700-00-04-3	•
30	002681	0	0	Füllanschluß	Filling connection	430-140	O3
31	005030	0	0	O-Ring	O-ring	12,3 x 2,4	A1
32	005030	0	0	O-Ring	O-ring	12,3 x 2,4	A1
33	004945	0	0	Kugel 4,0 mm	Ball 4,0 mm	D054010040000000	D1
34	004570	0	0	Entlüftungsschraube	Air release screw	ESK 943	•
40	000956	0	0	Diopier #700.0115	Micrometer rear sight #700.0115	6805	•
*	002955	0	0	Diopier, links #700.0111	Micrometer rear sight, left #700.0111	6805 L	•
50	002701	0	0	Baugruppenträger	Receiver	430-029	T4
*	002702	0	0	Baugruppenträger incl. Druckregler	Receiver incl. pressure regulator	430-030	A5
51	004971	0	0	Gewindestift	Threaded pin	M 5x10 DIN 914	B1
52	002669	0	0	Gewindestift (2)	Threaded pin (2)	M 6x8 DIN 916	B1
53	002669	0	0	Federbuchse	Spring bushing	430-120	E1
54	005029	0	0	O-Ring	O-ring	10 x 1	A1
55	002684	0	0	Druckfeder	Pressure spring	430-146	B1
56	002663	0	0	Ventil	Valve	430-70	O3
56a	002664	0	0	Federbolzen	Bolt	430-71	K1
57	002659	0	0	Ventilgehäuse	Valve body	430-64	E3
*	002703	0	0	Ventil, kpl.	Valve, cpl.	430-116	A4
58	002703	0	0	Druckregler, kpl.	Pressure regulator, cpl.	430-031	B3
59	005033	0	0	O-Ring (2)	O-ring (2)	15 x 1,5	O1
60	005021	0	0	O-Ring	O-ring	4 x 1,5	D1
70	002698	0	0	Gehäuse, montiert, kpl.	Bolt body, mounted, cpl.	430-026	X3
71	004650	0	0	Schraibe (2)	Washer (2)	5,38 DIN 125	A1
72	004748	0	0	Zylinder-schraube (2)	Socket head screw (2)	M 5x 16 DIN 912	B1
73	002508	0	0	Gewindebuchse	Locking screw	400-77/2	E1
75	002683	0	0	Druckfeder	Pressure spring	430-145	D1
76	002665	0	0	Schlagbolzen	Locking piston	430-76	Z1
77	002563	0	0	Schieber	Slide	404-42	O1
78	002693	0	0	Aufzughebel, kpl.	Cocking indicator lever, cpl.	430-07	A1



## Original-Ersatzteilliste 2002 · 2002L Pressluft mit Aluschaft

## List of component parts 2002 · 2002L Compressed Air with Alu-Stock



Nr. / No. 79 - 160

2002 Pressluft

2002 L Pressluft

Nr. No.	Besell-Nr. Order-No.	Benennung	Description	Kennnummer Code number	Preisgruppe Price group
79	004974	Sicherungsschraube	Wesher	2, 3 DIN 6799	C1
80	002694	Seitenwand, vollständig	Slide adjuster plate, gp.	430-U11	P1
*	002696	Seitenwand, lpt. montiert	Slide adjuster plate, gp. mounted	430-U23	S1
81	002577	Schwenkhebel	Leg spring	404-63	C1
82	004875	Senkschraube (2)	Countersunk head screw (2)	M. 3x8 DIN 965	A1
83	002668	Verschluss	Slide	430-94	C3
84	002472	Stopfen	Plug	400-26	A1
85	002562	Zugfeder	Spring	404-33	B1
86	002602	Isolierschlauch 47 mm lang	Spring guard 47 mm long	404-121	C1
87	002578	Exzentrbohler	Eccentric drill	404-64	M1
88	002582	Boizen (2)	Bolt (2)	404-67	C1
89	002511	Scheibe	Wesher	400-85	A1
90	002515	Dichtung	Seal	400-95	D1
91	002660	Zwischenhebel	Lever	430-68	Q1
92	004241	Rolle	Roller	6554	C1
93	002568	Boizen	Bolt	404-55	E1
94	004974	Sicherungsschraube (3)	Retaining collar (3)	2, 3 DIN 6799	A1
95	002662	Spannhebel	Cocking lever	430-69	T1
100	001205	Druckpunktbohrung #700.6600	Two stage trigger #700.6600	5018	A1
101	002566	Scheibe (2)	Wesher (2)	404-53	C1
102	004735	Zylinderschraube (2)	Socket head screw (2)	M. 4x8 DIN 912	A1
126	005947	Rampa-Muffe (4)	Sleeve (4)	10x12 M5 S1	B1
127	001989	Platte, symmetrisch (30 mm)	Plate, 30 mm column distance	02213-8200-04-02-3	E3
*	002022	Platte, symmetrisch (30 mm) links	Plate, 30 mm column distance, left	02213B10200-01-00-3	E3
128	004650	Unterlegscheibe (2)	Wesher (2)	5, 3 DIN 125 B	A1
129	004747	Zylinderschraube (2)	Socket head screw (2)	M. 5x14 DIN 912	A1
130	004746	Zylinderschraube	Socket head screw	M. 5x12 DIN 912	A1
131	001982	Backenstübe Aluminium	Column Aluminium	02213-8200-03-00-3	Q1
132	002120	Mutter (3)	Nut (3)	94759-2000-03-00-4	E1
136	001990	Klemnstübe Aluminium	Column Aluminium	02213-8200-05-00-4	Q1
137	001996	Boizen (2)	Bolt (2)	02213-8200-06-01-4	E1
138	004975	Sicherungsschraube (2)	Wesher (2)	3, 2 DIN 6799	A1
139	002112	Kappen-Platte, 30 mm Stübenabstand	Bar-Plate, 30 mm column distance	94759-2000-01-01-3	E3
140	002079	Führung	Guide	94759-1000-01-01-4	A3
141	002088	Mutter	Nut	94759-1100-02-01-04	C2
142	004650	Scheibe (2)	Wesher (2)	5, 38 DIN 125	A1
142a	002083	Einlege (2)	Insert (2)	94759-1000-02-00-4	B1
143	004744	Zylinderschraube (2)	Socket head screw (2)	M. 5x10 DIN 912	A1
144	002093	Unterenteil	Lower section	94759-1100-01-01-3	N3
145	005000	Innenstahmschraube	Hexagon socket screw	M. 5x12 DIN 7991	B3
146	002098	Klemmteil (unten)	Clamping piece	94759-1100-05-01	U1
146a	002097	Klemmteil (oben)	Clamping piece	94759-1100-04-01	U1
146b	004990	Zylinderschraube	Socket head screw	M. 6x8 DIN 7984	A1
147	002102	Schwenkplatte	Swing plate	94759-1120-01-01-3	K3
148	002104	Einlege - Gummipflichten	Pubber plate	94759-1120-02-00-4	D1
149	004957	Zylindersstift	Threaded pin	5x24 DIN 6325	B1
150	002089	Haken	Hook	94759-1100-1000-03	F3
151	004752	Zylinderschraube	Socket head screw	M. 5x22 DIN 912	A1
153	002114	Stübe Aluminium (2)	Column Aluminium (2)	94759-2000-02-00-4	Q1
154	004744	Zylinderschraube (2)	Socket head screw (2)	M. 5x10 - 8.8	A1
156	005145	Systemschraube M40 M 60, 7,5x12 (2)	Bedding screw (2)	F-0006060012000	G1
157	001891	Spannboizen	Bolt	42002-8200-03-00-4	M1
158	004766	Zylinderschraube M. 5x80	Socket head screw M. 5x80	D009120050080000	B1
159	002004	Griffschleife	Pistol grip	02213-8400-02-01-3	I3
160	002006	Buchse	Bushing	02213-8400-04-00-4	M1

## Original-Ersatzteilliste 2002 · 2002L Pressluft mit Aluschaft

## List of component parts 2002 · 2002L Compressed Air with Alu-Stock



DIE MEISTER MACHER

Nr. / No. 161 - 172

Nr. No.	Bestell-Nr. Order-No.	2002 Pressluft	2002 L Pressluft	Benennung	Description	Kennnummer Code number	Preisgruppe Price group
161	005998	0	0	Griff (groß)	Grip (big)	02002-8400-01-30-2	•
*	006004	0	0	Griff (groß) links	Grip (big) left	0200218400-01-30-2	•
162	005979	0	0	Aluminium-Schaft	Stock Aluminium	02002-8100-01-80-1	05
**	006000	0	0	Aluminium-Schaft, links	Stock Aluminium, left	0200218100-01-80-1	05
163	001961	0	0	Klemmführung (2)	Clamp guide (2)	02213-8100-02-01-3	B3
164	004750	0	0	Zylinderschraube M 5x18 (4)	Socket head screw M 5x18 (4)	D009120050018001	A1
165	004746	0	0	Zylinderschraube M 5x12 (2)	Socket head screw M 5x12 (2)	D009120050012001	A1
166	005990	0	0	Vorderschaftföhrung	Forend riser block	02002-8710-01-00-3	U3
167	005232	0	0	Buchse 5,1x6x18 (2)	Bushing 5,1x6x18 (2)	E708-0051006000	B1
168	001149	0	0	Alu-Distanzscheibe #700.3759	Alu-spacers #700.3759	405-315	•
169	003603	0	0	Ring	Retaining Washer	4751-6	B1
170	004984	0	0	Zylinderschraube (2)	Socket head screw	D069120050025001	A1
171	0	0	0	Bocke, inkl. Rampa-Muffen	Cheek piece, incl. sleeve	02213-8600-00-01-x	M3
172	004788	0	0	Gewindestift M 6x12 (2)	Threaded pin M 6x12	D009130060012000	B1

• = siehe Preisliste / see price list

a.A. = auf Anfrage / on demand

\* = Teil ist nicht abgebildet / Part is not illustrated

Benutzen Sie im Bedarfsfall ausschließlich

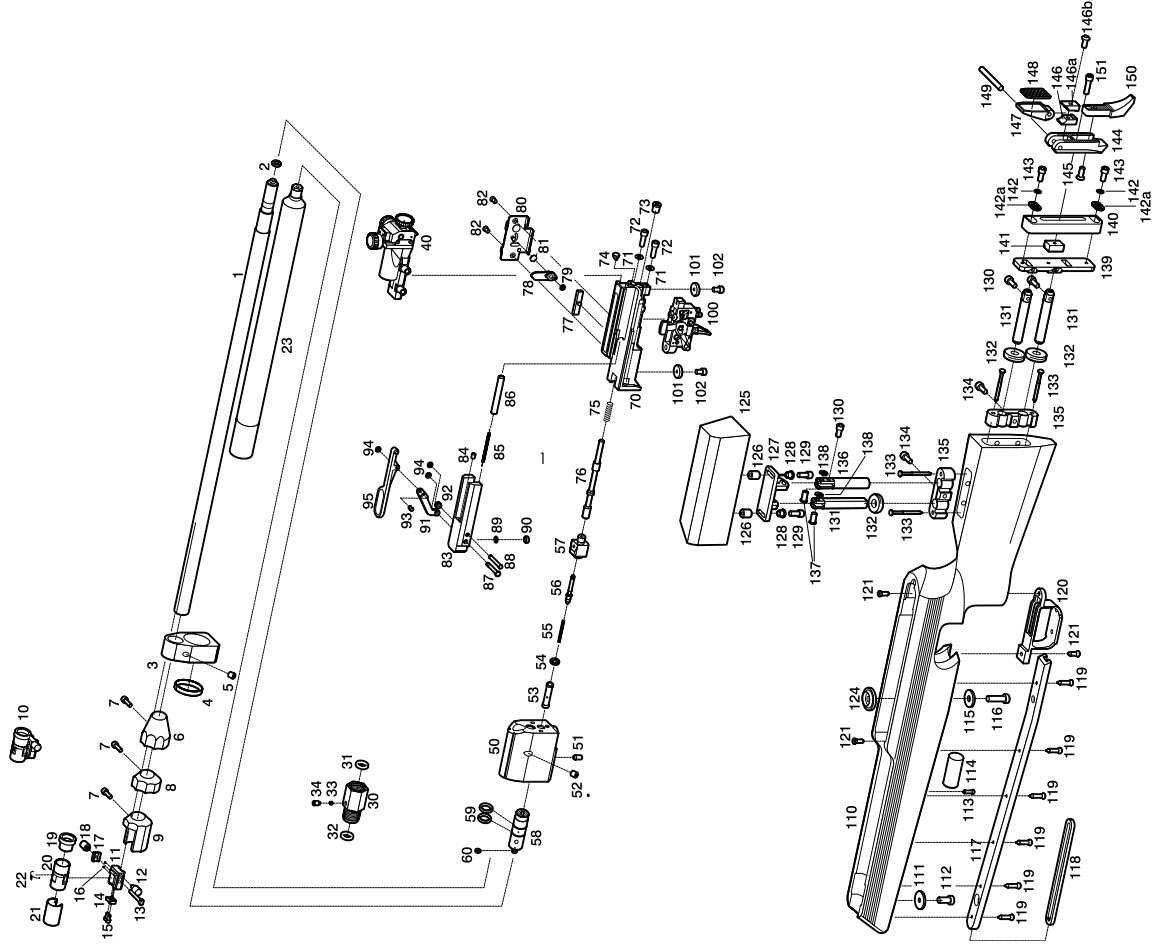
Original ANSCHÜTZ Ersatzteile

Use only genuine ANSCHÜTZ parts for replacement

Für Bestellung sind folgende Angaben notwendig (siehe Bsp.):

When ordering parts, it is necessary to specify completely (like sample):

Nr.	Bestellnummer Order-No.	Modell Model	Benennung Description
3	002706	2002 Pressluft	Lagerbock, kpl.
3	002706	2002 Compressed Air	Bearing block, cpl.



## Original-Ersatzteilliste 2002 · 2002L Pressluft mit Alukappe

## List of component parts 2002 · 2002L Compressed Air with Alu-butt-plate



DIE MEISTER MACHER

Nr. / No. 1 - 78

2002 Pressluft  
2002 L Pressluft

Nr. No.	Bestell-Nr. Order-No.	Benennung	Description	Kennnummer Code number	Preisgruppe Price group
1	001745	Lauf, vollständig	Barrel, cpl.	0430-1100-00-01-3	M4
2	005025	O-Ring	O-ring	7 x 2	D1
3	002706	Lagerbuch, kpl.	Bearing block, cpl.	430-U33	I3
3a	002652	Einsatz M 6x0,75	Sleeve M 6x0,75	430-006	C1
4	004560	Flitzstreifen	Felt strip	5K-890	B1
5	004787	Gewindestift (2)	Threaded pin (2)	M 6x6 DIN 913	B1
6	002494	Gewichtsring	Barrel weight ring	400-56 d	O1
7	004728	Zylinderstrahrer (3)	Socket head screw (3)	M 3x10 DIN 912	A1
8	001190	Gewichtsring #700.6350	Barrel weight ring #700.6350	400-56 c	*
9	002490	Gewichtsring	Barrel weight ring	400-56 b	R1
10	000982	Kornmetel, kpl. #700.0221	Front sight, cpl. #700.0221	6832	*
11	004261	Kornfuss	Sight base	6586-4/1	X1
12	004241	Kornschraube für Kornfuss	Horizontal sight screw	6554	C1
13	004265	Gewindebolzen	Horizontal sight bolt	6586-10	E1
14	004263	Druckstück	Front sight tube clamp	6586-5/1	H1
15	004726	Zylinderstrahrer (2)	Socket head screw (2)	M 3x8 DIN 912	A1
16	004491	Druckfeder (2)	Pressure spring (2)	6850-24	A1
17	004268	Klemmstück	Rail clamp	6586-12/3 oder 2	D1
18	004270	Mutter	Rail clamp nut	6586-13	D1
19	004271	Klemming	Clamp ring	6586-18	H1
20	004260	Kornmetel	Front sight hood	6586-1/2	D2
21	001410	Abdeckhülse # 700.1220	Cover #710.1220	6586-20	*
22	004231	Schwamm	Internal cam indicator	6540-21	C1
23	001526	Aluminium Kartusche # 711.3415	Compressed air cylinder #711.3415	00430-1700-00-04-3	*
30	002681	Füllflansch	Filling connection	430-140	O3
31	005030	O-Ring	O-ring	12,3 x 2,4	A1
32	005030	O-Ring	O-ring	12,3 x 2,4	A1
33	004945	Kugel 4,0 mm oder 3,5 mm	Ball 4,0 mm	D05-40100-40000000	D1
34	004797	Gewindestift	Threaded pin	M 5x8 DIN 915	S1
40	000956	Doppel, links #700.0111	Micrometer rear sight #700.0115	6805	*
*	000955	Doppel, rechts #700.0111	Micrometer rear sight, left #700.01116805 L		*
50	002701	Baugruppenträger	Receiver	430-U29	T4
*	002702	Baugruppenträger incl. Druckregler	Receiver incl. pressure regulator	430-U30	A5
51	004971	Gewindestift	Threaded pin	M 5x10 DIN 914	B1
52	002669	Gewindestift (2)	Threaded pin (2)	M 6x8 DIN 916 oder 6x6	B1
53	002669	Federbuchse	Spring bushing	430-120	E1
54	005079	O-Ring	O-ring	10 x 1	A1
55	002684	Druckfeder	Pressure spring	430-146	B1
56	002663	Ventil	Valve	430-70	O3
56a	002664	Federbolzen	Bolt	430-71	K1
57	002659	Ventilgehäuse	Valve body	430-64	E3
*	002695	Ventil, kpl.	Valve, cpl.	430-U16	A4
58	002703	Druckregler, kpl.	Pressure regulator, cpl.	430-U31	V3
59	005033	O-Ring (2)	O-ring (2)	15 x 1,5	B1
60	005071	O-Ring	O-ring	4 x 1,5	D1
70	002698	Gehäuse, montiert, kpl.	Bolt body, mounted, cpl.	430-U26	X3
71	004650	Schraube (2)	Washer (2)	5,38 DIN 125	A1
72	004748	Zylinderstrahrer (2)	Socket head screw (2)	M 5x 16 DIN 912	B1
73	002508	Gewindebuchse	Locking screw	400-77/2	E1
74	002593	Bolzen	Bolt	404-87	M1
75	002683	Druckfeder	Pressure spring	430-145	D1
76	002665	Schlagbolzen	Locking piston	430-76	Z1
77	002563	Schieber	Slide	404-42	O1
78	002693	Aufzughebel, kpl.	Locking indicator lever, cpl.	430-U7	A1

## Original-Ersatzteilliste 2002 · 2002L Pressluft mit Alukappe

## List of component parts 2002 · 2002L Compressed Air with Alu-butt-plate



DIE MEISTER MACHER

Nr. / No.	Bestell-Nr. Order-No.	2002 Pressluft	2002 L Pressluft	Benennung	Description	Kennnummer Code number	Preisgruppe Price group
79	004974	0	0	Sicherungsscheibe	Washer	2, 3 DIN 6799	C1
80	002694	0	0	Seitenwand, vollständig	Slide adjuster plate, pl.	430-U11	PT
*	002696	0	0	Seitenwand, lpl. montiert	Slide adjuster plate, pl. mounted	430-U23	S1
81	002577	0	0	Schneifelfeder	Leg spring	404-63	C1
82	004875	0	0	Senkschraube (2)	Countersunk head screw (2)	M 3x8 DIN 965	A1
83	002668	0	0	Verschluss	Slide	430-94	C3
84	002472	0	0	Stopfen	Plug	400-26	A1
85	002562	0	0	Zugfeder	Spring	404-33	B1
86	002602	0	0	Isolierschlauch, 47 mm lang	Spring guard, 47 mm long	404-121	C1
87	002578	0	0	Exzenterschrauben	Eccentric bolt	404-64	M1
88	002582	0	0	Bolzen (2)	Bolt (2)	404-67	C1
89	002511	0	0	Scheibe	Washer	400-85	A1
90	002515	0	0	Dichtung	Seal	400-95	D1
91	002660	0	0	Zwischenhebel	Lever	430-68	Q1
92	002653	0	0	Rolle	Roller	430-11	C1
93	002568	0	0	Bolzen	Bolt	404-55	E1
94	004974	0	0	Sicherungsscheibe (3)	Retaining collar (3)	2, 3 DIN 6799	A1
95	002662	0	0	Spannhebel	Cocking lever	430-69	T1
100	001205	0	0	Druckunterschlag #700.6600	Two stage trigger #700.6600	5018	A1
101	002566	0	0	Scheibe (2)	Washer (2)	404-53	C1
102	004735	0	0	Zylinderschraube (2)	Socket head screw (2)	M 4x8 DIN 912	A1
110	005798	0	0	Schiff mit Teilbeschlag Bunt ohne Backe	Snack w. partial fitting color w/o cheekpiece	00430-8010-03-30	a.A.
*	005872	0	0	Schiff mit Teilbeschlag Bunt ohne Backe links	Snack w. partial fitting color w/o cheekpiece left	0043018010-03-30	a.A.
111	002692	0	0	Scheibe	Washer	430-256/1	E1
112	005145	0	0	Zylinderschraube	Socket head screw	M 6x0,7 5x15	E1
113	005095	0	0	Lenkensackbolzschraube	Countersunk headwood screw	3x15 DIN 7995	A1
114	003592	0	0	Zusatzgewicht (100g)	Additional weight (100g = 3.5 oz.)	4748	C1
115	002631	0	0	Scheibe	Washer	380-256/1	A1
116	005149	0	0	Zylinderschraube	Socket head screw	M 6x0,7 5x24	C1
117	002604	0	0	Schiene	Front swivel rail	404-208	W1
118	004073	0	0	Füllstück	Swivel rail filler	6272	B1
119	005102	0	0	Senkschraube (2)	Countersunk head wood screw (2)	4x15 DIN 7997	A1
120	003433	0	0	Abrugsbügel	Trigger guard	2007-39	L2
121	005107	0	0	Senkschraube (4)	Countersunk head wood screw (4)	4x20 DIN 7997	A1
122	005114	0	0	Senkschraube (2)	Countersunk head wood screw (2)	4x25 DIN 7997	A1
124	002572	0	0	Scheibe	Washer	400-210/1	D1
*	001249	0	0	Schiff mit Beschlag, Bunt #705.0026	Stock with fitting color #705.0026	00430-8010-03-30	*
*	001263	0	0	Schiff mit Beschlag, Bunt links #705.0020	Stock with fitting color left #705.0020	0043018000-03-30	*
125	005816	0	0	Schiffhackle, Bunt	Cheek-piece, color	0043018100-03-30	a.A.
126	005826	0	0	Schiffhackle, Bunt, link	Cheek-piece, color, left	0043018100-03-30	a.A.
127	005947	0	0	Kompa-Muffe (4)	Sieve (4)	10x12 MS S	B1
127	001989	0	0	Platte, symmetrisch (30 mm)	Plate, 30 mm column distance	02213-8200-04-02-3	E3
128	004650	0	0	Unterlegscheibe (2)	Washer (2)	5, 3 DIN 125 B	A1
129	004747	0	0	Zylinderschraube (2)	Socket head screw (2)	M 5x14 DIN 912	A1
130	004745	0	0	Zylinderschraube	Socket head screw	M 5x12 12.9	A1
131	001982	0	0	Backenstiele Aluminium	Column Aluminium	02213-8200-03-00-3	Q1
132	002120	0	0	Mutter (3)	Nut (3)	94759-2000-03-00-4	E1
133	005174	0	0	Senkschraube (4)	Countersunk head wood screw (4)	4, 5-50	A1
134	004750	0	0	Zylinderschraube (2)	Socket head screw (2)	M 5x16 DIN 912	A1
135	001873	0	0	Klemmstück (2), 30 mm Stützenabstand	Cluck piece (2), 30 mm column distance	01827-8000-01-00-3	B3
136	001990	0	0	Klemmstiele Aluminium	Column Aluminium	02213-8200-05-00-4	Q1
137	004976	0	0	Bolzen (2)	Bolt (2)	02213-8200-06-01-4	E1
138	004975	0	0	Sicherungsscheibe (2)	Washer (2)	3, 2 DIN 6799	A1
139	002112	0	0	Kappen-Platte, 30 mm Stützenabstand	Butt-Plate, 30 mm column distance	94759-2000-01-01-3	E3

## Original-Ersatzteilliste 2002 · 2002L Pressluft mit Alukappe

## List of component parts 2002 · 2002L Compressed Air with Alu-butt-plate



DIE MEISTER MACHER

Nr. / No. 140 - 154

Nr. No.	Bestell-Nr. Order-No.	2002 Pressluft	2002 L Pressluft	Benennung	Description	Kennnummer Code number	Preisgruppe Price group
140	002079	0	0	Führung	Guide	94759-1000-01-01-4	A3
141	002088	0	0	Mutter	Nut	94759-1100-02-01-04	C2
142	004650	0	0	Schraube (2)	Washer (2)	5.38 DIN 125	A1
142a	002083	0	0	Einlage (2)	Insert (2)	94759-1000-02-00-4	B1
143	004744	0	0	Zylinderschraube (2)	Socket head screw (2)	M 5x10 DIN 912	A1
144	002093	0	0	Unterteil	Lower section	94759-1100-01-02-02	K3
145	005000	0	0	Innenschkarnischraube	Hexagon socket screw	M 5x12 DIN 7991	B1
146	002098	0	0	Klemmteil (unten)	Clamping piece	94759-1100-05-00-x	U1
146a	002097	0	0	Klemmteil (oben)	Clamping piece	94759-1100-04-00-x	U1
146b	004990	0	0	Zylinderschraube	Socket head screw	M 6x8 DIN 7984	A1
147	002102	0	0	Schwenkklappe	Swing plate	94759-1120-01-00-3	K3
148	002104	0	0	Einlage-Gummipflichtchen	Rubber plate	94759-1120-02-00-4	D1
149	004957	0	0	Zylindersstift	Threaded pin	5x24 DIN 6325	B1
150	002089	0	0	Haken	Hook	94759-1100-10-00-03	E3
151	004752	0	0	Zylinderschraube	Socket head screw	M 5x22 DIN 912	A1
152	004577	0	0	Stift	Pin	3x4 DIN 7	B1
*	001489	0	0	Tube Glühfent #710.6310	Grasse #710.6310	4475	•
153	002114	0	0	Stäbe Aluminium (2)	Column Aluminium	94759-2000-02-00-4	Q1
154	004743	0	0	Zylinderschraube (2)	Socket head screw (2)	M 5x8-8.8	A1

• = siehe Preisliste / see price list

a.A. = auf Anfrage / on demand

\* = Teil ist nicht abgebildet / Part is not illustrated

Benutzen Sie im Bedarfsfall ausschließlich

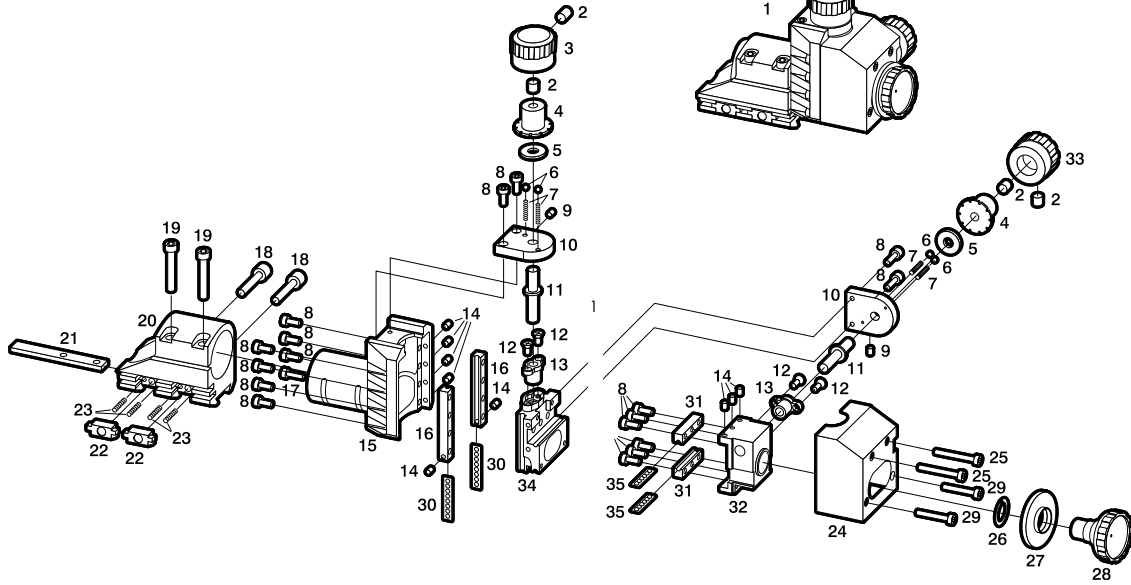
Original ANSCHÜTZ Ersatzteile

Use only genuine ANSCHÜTZ parts for replacement

Für Bestellung sind folgende Angaben notwendig (siehe Bsp.):

When ordering parts, it is necessary to specify completely (like sample):

Nr.	Bestellnummer Order-No.	Modell Model	Benennung Description
3	002706	2002 Pressluft	Lagerbock, kpl.
3	002706	2002 Compressed Air	Bearing block, cpl.



# Original-Ersatzteilliste

## List of component parts

### Universal Micrometerdioppter 7002

### Universal micrometer rear sight 7002



DIE MEISTER MACHER

Nr. / No.	1 - 35	Bestell-Nr. / Order-No.	7002/10 - 7002/20	7002/101 - 7002/201	Benennung	Description	Kennnummer / Code number	Preisgruppe / Price group
1	000967	0	Dioptr, kpl. #700.0170	Micrometer rear sight, cpl. #700.0170	7002/10	•		
*	000968	0	Dioptr, kpl. #700.0171	Micrometer rear sight, cpl. #700.0171	7002/20	•		
*	000969	0	Dioptr, kpl. #700.0175	Micrometer rear sight, cpl. #700.0175	7002 L/10	•		
*	000970	0	Dioptr, kpl. #700.0176	Micrometer rear sight, cpl. #700.0176	7002 L/20	•		
2	004779	0	Gewindestift (4)	Set-screw (4)	M 4x4 DIN 913	AI		
3	004493	0	Drehknopf für Höhenstellschraube	Elevation knob	6850-26	VI		
4	004485	0	Buchse (2)	Bushing (2)	6850-12	M1		
5	004926	0	Teilerfeder (2)	Disc spring (2)	8 x 4,2 x 2 DIN 2093	AI		
6	004939	0	Stahlkugeln (4)	Steel ball (4)	2 DIN 5401	AI		
7	004491	0	Druckfeder (4)	Compression spring	6850-24	AI		
8	004718	0	Zylinderschraube (17)	Cheese head screw (17)	M 2x6 DIN 912	AI		
9	004800	0	Gewindestift (2)	Set-screw (2)	M 2x3 DIN 916	BI		
10	004482	0	Platte (2)	Plate (2)	6850-10	O1		
11	004481	0	Spindel (2)	Spindle (2)	6850-9	H1		
12	004866	0	Senkschraube (4)	Countersunk head screw (4)	M 2x5 DIN 965	AI		
13	004484	0	Mutter (2)	Nut (2)	6850-11	CI		
14	004776	0	Gewindestift (9)	Set-screw (9)	M 2x3 DIN 913	BI		
15	004486	0	Tubus	Tube	6850-14	V2		
16	004474	0	Lineal, lang (2)	Ledge, long (2)	6850-4	WI		
17	004720	0	Zylinderschraube	Cheese head screw	M 2x8 DIN 912	AI		
18	004447	0	Schraube (2)	Screw (2)	6817-3	AI		
19	004731	0	Zylinderschraube (2)	Cheese head screw	M 3x20 DIN 912	AI		
20	004489	0	Fuß	Mount base	6850-20/1	K3		
21	004490	0	Leiste	Steel bar	6850-21	PI		
22	004448	0	Klemmstück (2)	Clamping piece (2)	6817-5	D1		
23	002740	0	Druckfeder (4)	Pressure spring (4)	570-14	AI		
24	004488	0	Haube	Cover	6850-16	EI		
*	004502	0	Haube, links	Cover, left	6850 L-50	EI		
25	004724	0	Zylinderschraube (2)	Cheese head screw (2)	M 2x20 DIN 912	BI		
26	005013	0	Sprengring	Washer	WR10	BI		
27	004387	0	Klemmung	Clamping-ring	6769-4	D1		
28	004375	0	Diopterschraube	Peep sight disc	6707-8/2	M1		
26-28	000984	0	Diopterschraube 1, mm, kpl. #700.0300	Peep sight disk aperture 1, mm, cpl. #700.0300	6850-05	•		
29	004722	0	Zylinderschraube (2)	Cheese head screw (2)	M 2x16 DIN 912	AI		
30	004514	0	Kugelflägel, kpl. (2)	Ball cage, cpl. (2)	6850-U15	EI		
31	004478	0	Lineal, kurz (2)	Ledge, short (2)	6850-6	PI		
32	004480	0	Seitenschieber	Lateral slide	6850-5	V2		
33	004496	0	Drehknopf für Seitenstellschraube	Windage knob	6850-27	VI		
*	004503	0	Drehknopf für Seitenstellschraube, links	Windage knob, left	6850 L-27	VI		
34	004476	0	Höhenschieber	Elevation block	6850-5	T3		
35	004515	0	Kugelflägel, kpl. (2)	Ball cage (2)	6850-U16	EI		

• = siehe Preisliste / see price list

o.A. = auf Anfrage / on demand

\* = Teil ist nicht abgebildet / Part is not illustrated

Benutzen Sie im Bedarfsfall ausschließlich

Original ANSCHÜTZ Ersatzteile

Use only genuine ANSCHÜTZ parts for replacement

Für Bestellung sind folgende Angaben notwendig (siehe Bsp.):

When ordering parts, it is necessary to specify completely like sample:

Nr.	Bestellnummer	Modell	Benennung
No.	Order-No.	Model	Description
3	004493	7002 Dioptr	Drehknopf
3	004493	7002 rear sight	Elevation knob



## Anhang

### Anforderungen für Pressluft

#### Sauerstoff

Der Sauerstoff-Gehalt muß im Bereich von (21 +/- 1) Vol.-% (trockene Luft) liegen.

#### Verunreinigungen

##### 1. Allgemeines

Druckluft für Atemschutzgeräte darf keine Verunreinigungen in einer Konzentration enthalten, die toxische oder gesundheits-schädliche Wirkungen haben kann. Auf jeden Fall müssen alle Verunreinigungen so gering wie möglich gehalten werden und müssen weit unterhalb der nationalen Expositionsgrenzen liegen. Kombinierte Wirkungen von mehr als einer Verunreinigung müssen berücksichtigt werden. Falls keine einschränkenderen nationalen Anforderungen bestehen, müssen die Werte in 2. bis 5. angewendet werden.

Anmerkung: Die Grenzkonzentration für jede Verunreinigung sollte aus nationalen Expositionsgrenzen abgeleitet werden. Dabei sind soweit als möglich die Einflüsse von Druck und Expositionszeit zu berücksichtigen.

##### 2. Schmierstoffe

Der Gehalt an Schmierstoffen (Tröpfchen oder Nebel) darf 0,5 mg/m<sup>3</sup> nicht überschreiten. Sofern synthetische Schmierstoffe vorliegen, gilt 1.

##### 3. Geruch und Geschmack

Die Luft muß ohne signifikanten Geruch oder Geschmack sein.

##### 4. Kohlendioxid-Gehalt

Der Kohlendioxid-Gehalt darf 500 ml/m<sup>3</sup> (500 ppm) nicht überschreiten.

##### 5. Kohlenmonoxid-Gehalt

Der Kohlenmonoxid-Gehalt muß so niedrig wie möglich sein, darf aber 15 ml/m<sup>3</sup> (15 ppm) nicht überschreiten.

#### Wasser-Gehalt

1. Es darf kein flüssiges Wasser vorliegen.

2. Die Luft für Druckluft-Schlauchgeräte muß einen Taupunkt haben, der niedrig genug ist, um Kondensieren und Einfrieren zu verhindern. Wenn das Gerät bei einer bekannten Temperatur eingesetzt und gelagert wird, muß der Drucktaupunkt wenigstens 5°C unter der vermutlich niedrigsten Temperatur liegen. Wenn die Einsatz- und Lagerbedingungen des Druckluft-Vorrates nicht bekannt sind, darf der Drucktaupunkt -11°C nicht überschreiten.

Nenndruck bar	Maximaler Wassergehalt der Luft bei atmosphärischen Druck mg/m <sup>3</sup>
40 - 200	50
> 200	35

3. Der maximale Wassergehalt der Luft bei atmosphärischem Druck muß den Werten der Tabelle entsprechen.

Anmerkung: Der Wasser-Gehalt der vom Kompressor gelieferten Luft zum Füllen 200 bar oder 300 bar Druckgas-Behältern sollte 25 mg/m<sup>3</sup> nicht überschreiten.

## Probenahme und Prüfung

Es darf jede geeignete Methode angewendet werden, sofern sie den folgenden allgemeinen Anforderungen entspricht:

- zum Messen und zum Beurteilen der Ergebnisse ist die Genauigkeit der Methode zu berücksichtigen, und
- die Nachweisgrenze der angewendeten Methode muß unterhalb des geforderten Grenzwertes liegen.

### Typische Zusammensetzung natürlicher Luft (ISO 2533)

Bestandteile	Massen-% (trockene Luft)	Volumen-% (trockene Luft)
Sauerstoff (O <sub>2</sub> )	23, 14	20, 9476
Stickstoff (N <sub>2</sub> )	75, 5	78, 084
Argon (Ar)	1, 288	0, 934
Kohlendioxid (CO <sub>2</sub> )	0, 048	0, 0314
Wasserstoff (H <sub>2</sub> )	0, 000003	0, 00005
Neon (Ne)	0, 00127	0, 001818
Helium (He)	0, 000073	0, 000524
Krypton (Kr)	0, 00033	0, 000114
Xenon (Xe)	0, 000039	0, 0000087

## Beschriftung der Pressluftkartusche

Text / Beschriftung:

ANSCHÜTZ-HENRICH-UN 1002/200  
200 bar Luft/ Air 2900 PSI  
Netto 0,050 Kg - TARA 0,418 Kg - 0,197 L  
PD 300 bar - D - 09/00 F 04.00 Al  
001343  
READ INSTRUCTIONS BEFORE USE

Erklärung:

- ANSCHÜTZ-HENRICH: Name des Herstellers.
- UN 1002: Internationales Kennzeichen für Druckluft.
- 200 bar Luft/Air 2900 PSI: Höchstzulässiger Fülldruck bei 15 °.
- Netto 0,050 Kg: Netto Füllgewicht.
- TARA 0,418 Kg: Kartusche ohne Inhalt.
- 0,197 L: Fassungsraum der Kartusche.
- PD 300 bar - D 09/00: Prüfdruck - Herstellerland - Prüfdatum.
- F 04.00 Al: Interne Fertigungskennziffer
- 001343: Hersteller-Identnummer.
- Read INSTRUCTIONS BEFORE USE: Allgemeiner Benutzerhinweis.

## Appendix

### Requirements for Compressed Air

#### Oxygen

The content of oxygen must be within the range of (21 +/- 1) Vol. % (dry air).

#### Impurities

##### 1. General information

Compressed air for respiratory equipment must not contain impurities in a concentration which might have toxic or harmful effects. In any case there must be as little impurities as possible and they must be far below the national limit of exposition. Combined effects of more than one impurity must be considered. If there are no national restricting requirements the values of 2 to 3 must be applied.

Note: The limit concentration for every impurity should be deducted from the national limit of exposition. The influences of pressure and exposition time should be considered as much as possible.

##### 2. Lubricants

The content of lubricants (drops or mist) must not exceed 0.5 mg/m<sup>3</sup>. In case of synthetic lubricants 1) is to be applied.

##### 3. Smell and taste

The air must be without significant smell or taste.

##### 4. Content of carbon dioxide

The content of carbon dioxide must not exceed 500 ml/m<sup>3</sup> (500 ppm).

##### 5. Content of carbon monoxide

The content of carbon monoxide must not exceed 15 ml/m<sup>3</sup> (15 ppm).

#### Content of water

1. There must be no liquid water.

2. The air for compressed air respirators must have a dew point which is low enough to avoid condensing and freezing. If the equipment is used and stored under a known temperature the dew point under pressure must be at least 5°C below the assumably lowest temperature. If the conditions for use and storage of the compressed air reservoir are not known, the dew point under pressure must not exceed -11°C

#### Chart 1

Nominal pressure bar	Max. contents of water in the air at atmospheric pressure mg/m <sup>3</sup>
40 - 200	50
> 200	35

3. The maximum content of water in the air at atmospheric pressure must be in line with the values of the chart.

Note: The contents of water of the air which is delivered from the compressor to fill 200 bar or 300 bar compressed air containers should not exceed 25 mg/m<sup>3</sup>.

#### Checks

Any suitable method is allowed as far as it corresponds to the following general requirements:

- to measure and judge the results the accuracy of the method must be considered and
- the proof limit of the applied method must be below the required limit.

#### Typical composition of natural air (ISO 2533)

#### Chart 2

Components	Mass-% (dry air)	Volume-% (dry air)
Oxygen (O <sub>2</sub> )	23, 14	20, 9476
Nitrogen (N <sub>2</sub> )	75, 5	78, 084
Argon (Ar)	1, 288	0, 934
Carbon dioxide (CO <sub>2</sub> )	0, 048	0, 0314
Hydrogen (H <sub>2</sub> )	0, 000003	0, 00005
Neon (NE)	0, 00127	0, 001818
Helium (HE)	0, 000073	0, 000524
Krypton (Kr)	0, 00033	0, 000114
Xenon (Xe)	0, 000039	0, 0000087

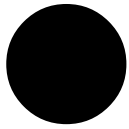
#### Labelling of the Compressed Air Cylinder:

Text / Marking:  
ANSCHÜTZ-HENRICH-UN 1002/200  
200 bar Luft/ Air 2900 PSI  
Netto 0,050 Kg - TARA 0,418 Kg - 0,197 L  
PD 300 bar - D - 09/00 F 04.00 Al  
001343  
READ INSTRUCTIONS BEFORE USE

#### Description:

- ANSCHÜTZ-HENRICH:  
Name of manufacturer.
- UN 1002:  
International sign for compressed air.
- 200 bar Luft/Air 2900 PSI:  
Max. allowed filling pressure at 15 °C.
- Netto 0,050 Kg:  
Net filling weight.
- TARA 0,418 Kg:  
Empty compressed air cylinder.
- 0,197 L:  
Capacity of the compressed air cylinder.
- PD 300 bar - D 09/00:  
Test pressure - country of manufacture - date of test.
- F 04.00 Al:  
Intern manufacturing number.
- 001343:  
Manufacturer's identification code.
- Read INSTRUCTIONS BEFORE USE:  
General note.



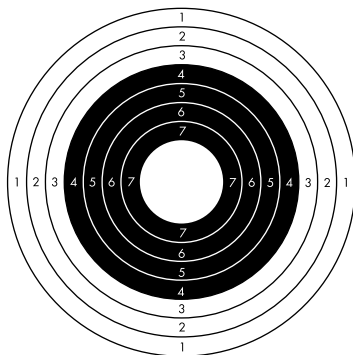


**Fabr.-Nr.:**

**Serial No.:**.....

Bitte hier eintragen · Please fill in here

**Originalschussbild Ihres Gewehres 5 Schuss auf 10 m**  
**Original group of your rifle 5 shots at 10 m**



**DIE MEISTER MACHER**

**J.G. ANSCHÜTZ GmbH & Co. KG**  
**Jagd- und Sportwaffenfabrik**

Daimlerstrasse 12

D-89079 Ulm / GERMANY

Postfach 11 28

D-89001 Ulm / GERMANY

Telefon (++49)-(0)-731-4012-0

Telefax (++49)-(0)-731-4012-700

[anschuetz-sport.com](http://anschuetz-sport.com)

[JGA-Info@anschuetz-sport.com](mailto:JGA-Info@anschuetz-sport.com)