

INSTRUCTION MANUAL

CZ 83



ČESKÁ ZBROJOVKA

Before handling the pistol read this manual carefully and observe the following safety instructions.

Improper and careless handling of the pistol could result in unintentional discharge and could cause injury, death or damage to property. The same consequences can be caused by unauthorized modifications or adjustments, corrosion, or use of non-standard or damaged ammunition. In these cases the manufacturer shall not be responsible in any manner whatsoever for the resultant consequences.

Before leaving the factory this pistol was tested, carefully inspected, and packed. CZ cannot accept responsibility for product handling while in transit, or upon leaving the factory. Therefore, please examine this pistol carefully at the time of purchase to ensure that it is unloaded and undamaged.

This instruction manual should always accompany this pistol and that even in the case of the loan or sale of this pistol.

CONTENTS

SAFETY INSTRUCTIONS	14
PISTOL DESCRIPTION AND TERMINOLOGY	15
OPERATING INSTRUCTIONS	16
Ammunition	16
Removal of the Magazine	16
Magazine Loading	16
Pistol Loading	16
Reloading During Shooting	16
Unloading the Pistol	17
Engaging the Safety Mode	17
Sight Adjustment	17
MAINTENANCE INSTRUCTIONS	18
Stripping for Cleaning - Disassembly	18
Firing Pin Disassembly	18
Magazine Disassembly	18
Cleaning the Pistol	19
Cleaning the Barrel Bore and the Cartridge Chamber	19
Cleaning of Other Pistol Parts	19
Preserving	19
ILLUSTRATION AND LIST OF PARTS	20
TROUBLESHOOTING, CAUSES AND REMEDIES	22
TECHNICAL SPECIFICATIONS	23
LIST OF ILLUSTRATIONS	23

SAFETY INSTRUCTIONS

Always follow the safety instructions for your safety and the safety of others.

1. Always handle your pistol as if it were loaded.
2. Never point your pistol at anything you do not intend to shoot.
3. Never take anyone's word that a gun is unloaded.
4. Always make sure that your pistol is not loaded before laying it down, or handing it to another person.
5. Always keep and carry your pistol empty, with the hammer forward except when you intend to shoot.
6. Never abuse your pistol by using it for any purpose other than shooting.
7. Never leave the pistol cocked and ready to fire unattended.
8. Before loading your pistol be sure that barrel bore, chamber, and action are clean and clear of obstructions. After shooting clean a dirtied pistol as soon as possible.
9. Always use only clean, dry, original high quality commercially manufactured ammunition, which is appropriate to the caliber of your pistol.
10. Never drink alcoholic beverages or take drugs before or during shooting.
11. Always wear safety glasses and ear protection when shooting.
12. Always keep the safety on when the pistol is loaded and cocked, until you are ready to fire.
13. Always keep clear and keep others clear of the ejection port.
14. Never squeeze the trigger or put your finger in the trigger guard until you are aiming at a target and ready to shoot.
15. Always be absolutely sure of your target, and the area behind it, before you squeeze the trigger. A bullet could travel through or past your target up to several hundreds of meters.
16. Never shoot at a hard surface such as rock, or a liquid surface such as water.
17. Never fire your pistol near an animal unless it is trained to accept the noise.
18. Never indulge in "horseplay" while holding your pistol.
19. Failure to fire: always hold the pistol, keeping it pointed towards the target, or a safe open area and wait 30 seconds when the pistol fails to fire. If a hangfire (slow ignition) has occurred, the round will fire within 30 seconds. If the round does not fire, remove the magazine, eject the round and examine the primer; if the firing pin indent on the primer is light, or off center, or non-existent, have the pistol examined by a competent gunsmith.
20. Always make sure your pistol is not loaded before cleaning, storing or traveling.

21. Always keep and store your pistol and ammunition in separate locked receptacles out of reach and sight of children and untrained people.
22. Never alter any parts of your pistol as the safety and proper function of your pistol could be seriously compromised.
23. Always be aware that corrosion, use of damaged ammunition, dropping the pistol on hard surfaces or other "coarse treatment" could cause a damage you may not see. If something like this happens allow the pistol to be examined and tested by a competent gunsmith.

PISTOL DESCRIPTION AND TERMINOLOGY

The names of basic pistol parts used in this Instruction Manual are presented in Fig. 1. Nomenclature of all CZ 83 parts are presented in the section *Illustration and List of Parts*.

The CZ 83 pistol is a semi-automatic handgun with unlocked breech. It is produced in many versions. Characteristic features of all versions are:

- large capacity double-column magazine
- ergonomical shape allowing shooting to be carried out by left or right hand
- comfortable grip and balance
- good results at instinctive shooting (without aiming)
- low trigger pull weight
- selective SA/DA firing mechanism operation
- high accuracy of fire
- long service life
- high reliability, even with various types of cartridges
- the slide stays open after the last cartridge has been fired
- the sights are outfitted with a three-dots illuminating system for better aiming in poor visibility conditions.

Trigger mechanism function:

SA (Single Action)

The trigger mechanism operates in a single action mode of fire. The hammer is cocked manually and then after pressing the trigger the pistol is fired. The trigger pull weight is low. After each discharge the hammer remains cocked.

DA (Double Action)

The trigger mechanism operates in a double action mode of fire. The hammer is cocked, released and the pistol fired by one pull of the trigger. The trigger pull weight is higher, as the inner trigger mechanism cocks the hammer. After each discharge the hammer again remains cocked.

OPERATING INSTRUCTIONS

Ammunition

Use only factory-manufactured standard ammunition of appropriate caliber, which are in compliance with CIP regulations (International Proof Commission for Firearms) or SAAMI (Sporting Arms and Ammunition Manufacturers' Institute Inc. of the United States). The use of other cartridges could damage the handgun or cause malfunctions or injury to the shooter.

Removal of the Magazine

Hold the pistol in your right/left hand, depress the magazine catch with the thumb and by the other hand remove the magazine.

Magazine Loading

With the open end uppermost, grasp the magazine in one hand. Place a cartridge on the magazine follower (Fig. 2). Press the cartridge down and back until it touches the rear flat edge of the magazine. Place the next cartridge on top of the previous cartridge and press down and back. We recommend that when some cartridges are already loaded in the magazine, depress them slightly with the thumb of the hand which holds the magazine.

The number of cartridges can be checked through the inspection holes in the sides of the magazine. Do not try to exceed the magazine capacity - doing so can cause a feeding failure.

Pistol Loading

CAUTION:

ALWAYS MAKE SURE THE PISTOL IS POINTED IN A SAFE DIRECTION WHEN LOADING!

Insert a loaded magazine and ensure that it has engaged the magazine catch.

Hold the pistol by the grip with one hand and with the thumb and index finger grasp the serrated finger grips on both sides of the slide. Retract the slide to the stop and allow it to snap forward (Fig. 3). This procedure cocks the hammer and inserts a cartridge into the chamber. The pistol is now ready to fire. If you do not intend to fire immediately ensure the pistol safety by some of the methods mentioned in the section: *Engaging the Safety Mode*.

Reloading During Shooting

When the last cartridge has been fired the slide will stay to the rear. Remove the emptied magazine and replace it with a loaded one. Thumb down the slide stop with the shooting hand (Fig. 4), or with the other hand draw back the slide and allow it to snap forward (Fig. 3). The pistol is again loaded and ready to fire.

Unloading the Pistol

ALWAYS MAKE SURE THE PISTOL IS POINTED IN A SAFE DIRECTION!

- remove the magazine
- draw back the slide and verify the last cartridge has been extracted from the chamber and ejected
- let the slide snap fully forward
- depress the trigger (dry fire)

Engaging the Safety Mode

Push the safety up to the Safety-On position (Fig. 5) until the red warning dots on both sides of the pistol situated between the safety and the slide are covered. The safety in this position blocks the trigger mechanism and slide, thus preventing the pulling of the trigger and operating the slide. The safety can be engaged only when the hammer is cocked, and for this reason it is applied especially in the case of a short-term interruption of shooting.

Besides the method previously described it is possible to put the pistol into a safety mode and still be ready to fire immediately:

Grasp the grip of loaded pistol, POINT IN A SAFE DIRECTION. With thumb and index finger of the other hand hold the hammer firmly (Fig. 6), pull the trigger and release the hammer slowly and gradually until it rests on the firing pin stop. Release the trigger. Apply extreme caution when lowering the hammer to avoid an accidental discharge! We strongly recommend to practice this operation beforehand with the pistol unloaded.

In this state the pistol is safe for all normal handling and at the same time ready for immediate use. The design of this handgun incorporates the feature that the manual safety can not be applied when the hammer is not cocked in order not to reduce the readiness of the pistol for use by accidental engaging of the manual safety.

Sight Adjustment

The pistol was "shot-in" at the manufacturing plant at a distance of 25 m so that the mean point of impact approximately conforms to the point of aim.

Windage correction can be carried out by the drifting of the rear sight in the dovetail and then secured in its position by an indentation. Elevation correction is carried out by exchanging the rear sights for higher or lower sizes.

In case of need there is an option to exchange the usual rear sights for an adjustable sight of suitable type, or as the case may be to also exchange the front sight, which is secured by a roll pin. These adjustments should be entrusted to a competent gunsmith.

Please remember that the safest way to secure a pistol, is to unload it and store it in a safe place!

MAINTENANCE INSTRUCTIONS

Stripping for Cleaning - Disassembly

POINT YOUR PISTOL IN A SAFE DIRECTION!

1. Remove the magazine. The pistol must not be disassembled with the magazine inserted!
2. Put the safety to "OFF" position, in order to release the movement of the slide.
3. MAKE SURE THERE IS NO CARTRIDGE IN THE CHAMBER!
4. Grasp with one hand the pistol grip. Put your other hand index finger through the trigger guard, support your thumb against front lower part of the slide and pull. Straight out and down tilt the trigger guard downward (Fig. 7).
5. Pull the slide fully back, lift the rear end and move the slide forward to separate it from the barrel and frame (Fig. 8).
6. Remove the recoil spring from its position surrounding the barrel.

No further disassembly is needed for routine maintenance. When a great number of cartridges has been fired, it is advisable to also clean firing pin and magazine.

Note to reassemble:

The pistol must not be fired with tilted trigger guard - as this condition could cause damage to the pistol. For this reason the trigger guard is designed in such a way that it is not possible to insert a magazine into the frame until the trigger guard is back in place.

Firing Pin Disassembly

Push in the rear end of firing pin using a suitable tool, below the level of the firing pin stop, and shift the firing pin stop approx. 2 mm down (Fig. 9). Then cover the firing pin stop with your thumb in order not to lose the spring loaded firing pin and with the other hand pull the firing pin stop completely off the slide. Be very careful at this stage of the disassembly procedure, as the firing pin is spring loaded and could fly out, getting lost, or even causing injury.

Magazine Disassembly

To remove the magazine base, push on the base lock which sticks out through a hole in the base and slide the base about 5 mm towards the front of the magazine. Cover the base with your thumb to prevent losing the magazine spring and with the other hand take off the base from its guiding rails. Be careful at the disassembly as the spring could fly out, even cause an injury.

Never attempt to disassemble your pistol further than recommended. Should your pistol require adjustment or repair be sure the task is entrusted to a competent gunsmith!

Cleaning the Pistol

Clean the pistol

- each time you use it
- if you get your pistol wet
- as soon as possible after shooting
- at least once a year in a temperate climate
- as often as once a month in a tropical climate, or other demanding environment

Cleaning the Barrel Bore and the Cartridge Chamber

If the pistol has not been fired or if only a few cartridges have been fired, clean the barrel bore and cartridge chamber by the clean patch attached to the cleaning rod.

When the barrel bore is very dirty, apply a gun cleaning solution using a cleaning brush. Let the solvent act for about 10 minutes (this time may vary depending on the solvent agent being used). Then thoroughly scrub out the barrel bore. Subsequently, dry the barrel bore and cartridge chamber with a clean patch and check that all powder residues, or fouling have been removed. If necessary repeat this procedure.

The cleaning rod and the brush must be inserted into the barrel bore from the chamber, to prevent wear or damage to the muzzle. Pass the brush all the way through the barrel bore before reversing the movement. If you try to change directions with the brush in the barrel, the brush could stick.

Cleaning of Other Pistol Parts

Other parts of the pistol (including the external surfaces of the barrel) should be cleaned with a dry cloth, old toothbrush, brass bristle brush or a wooden scraper. Preserving oil or paraffin oil, can be used for proper cleaning. Never use the agent designed for barrel bore cleaning! These solutions could remain in the joints, and after some time could cause corrosion.

Check that cloth particles or brush bristles have not become lodged in any part of the pistol.

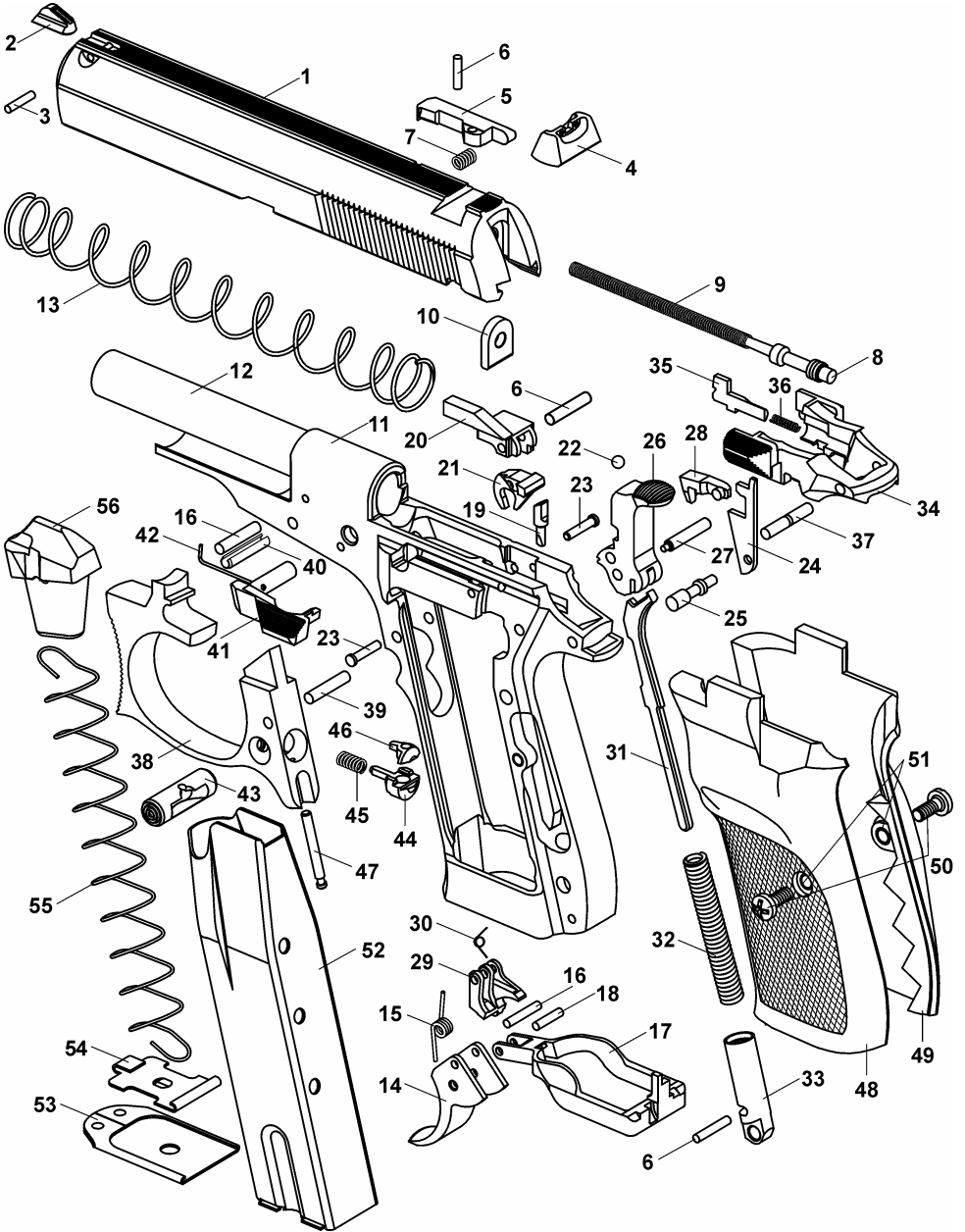
Preserving

When the barrel bore, cartridge chamber, and all accessible parts are clean and dry, wipe these parts with a cloth soaked in gun oil or apply the oil in a spray. Remove all excess oil.

Before shooting always wipe the barrel bore dry. At very low temperatures remove the oil from all accessible parts or apply a lubricant prepared especially for these conditions.

Use thick preserving agents for example, preserving grease only for a long term storage in demanding climate environments, and before any use of the pistol it must be thoroughly removed from all parts of the firearm.

ILLUSTRATION AND LIST OF PARTS



-
- | | | | |
|----|--------------------------------|----|----------------------------|
| 1 | Slide | 29 | Sear |
| 2 | Front Sight | 30 | Sear Spring |
| 3 | Front Sight Pin | 31 | Main Spring Strut |
| 4 | Rear Sight | 32 | Main Spring |
| 5 | Extractor | 33 | Main Spring Plug |
| 6 | Pin (3x) | 34 | Safety |
| 7 | Extractor Spring | 35 | Safety Latch |
| 8 | Firing Pin | 36 | Safety Latch Spring |
| 9 | Firing Pin Spring | 37 | Safety Pin |
| 10 | Firing Pin Stop | 38 | Trigger Guard |
| 11 | Frame | 39 | Pin |
| 12 | Barrel | 40 | Trigger Guard Pin |
| 13 | Recoil Spring | 41 | Slide Stop |
| 14 | Trigger | 42 | Slide Stop Spring |
| 15 | Trigger Spring | 43 | Magazine Catch Push Button |
| 16 | Pin (2x) | 44 | Magazine Catch |
| 17 | Trigger Bar | 45 | Magazine Catch Spring |
| 18 | Trigger Bar Pin | 46 | Magazine Catch Lever |
| 19 | Disconnecter | 47 | Magazine Catch Lever Pin |
| 20 | Ejector | 48 | Left Grip Panel |
| 21 | Automatic Safety | 49 | Right Grip Panel |
| 22 | Steel Ball | 50 | Grip Panel Screw (2x) |
| 23 | Pin (2x) | 51 | Grip Panel Insert (2x) |
| 24 | Trigger Bar Disconnecter | 52 | Magazine Body |
| 25 | Trigger Bar Disconnecter Rivet | 53 | Magazine Base |
| 26 | Hammer | 54 | Magazine Base Lock |
| 27 | Hammer Pin | 55 | Magazine Spring |
| 28 | Hammer Lever | 56 | Magazine Follower |

The Company, reserves the right to make any changes it thinks necessary to improve its models or to meet any requirements of manufacturing or commercial nature.

TROUBLESHOOTING, CAUSES AND REMEDIES

If your pistol is properly used and maintained, malfunctions will rarely occur. However, if such a situation does occur, please observe the following instructions.

CAUTION - If a malfunction occurs, the possibility of unintentional discharge is substantially increased. For this reason, carefully observe the *Safety Instructions* already mentioned above. Keep the pistol pointed in a safe direction, do not turn the pistol against your body or anyone else's! Do not place your hands in front of the barrel!

If you use your pistol for self defense, or in law enforcement, please acquire so-called "dummy cartridges" and practice fast clearing of malfunctions as described below.

Malfunction	Possible Cause	Remedy
A round has not been fed into the chamber or the slide has not fully locked with the barrel.	Magazine is not fully inserted or is damaged. The pistol or cartridges are fouled (dirty) or too heavily greased.	Insert magazine properly or change magazine. Clean the pistol and cartridges and wipe them dry or as case may be slightly lubricate.
Misfire	Defective cartridge Firing pin hole fouled (dirty) or improper lubrication agent used under low temperatures conditions.	Pull the trigger again. If a discharge is not initiated, follow the Safety Instructions according to point 19. Disassemble and clean the firing pin or use a low temperature lubricant.
A shot sounds "weak" combined with failure to eject the cartridge case.	The primer has been activated but no powder load was inside the cartridge case.	Unload the pistol and check that the bullet is not lodged in the barrel. A subsequent shot could cause damage to the barrel.
The spent case has not been ejected.	Cartridge chamber, extractor or ammunition dirty, or unsuitable lubricant in low temperature environment.	Clean and wipe the pistol dry or lubricate lightly with a suitable agent. Use new and clean ammunition.

If you cannot clear away any malfunction in the manner described above, entrust the pistol to a competent gunsmith for inspection and repair.

TECHNICAL SPECIFICATIONS

Caliber		7,65 mm Browning (.320 ACP)	9 mm Browning Short (.380 ACP)	9 mm Makarov	9 mm P.A. Rubber
Overall length	[mm]	172	172	172	172
Height	[mm]	127	127	127	127
Width	[mm]	36	36	36	36
Weight with empty magazine	[g]	750	800	800	750
Barrel length	[mm]	97	97	97	97
Sight radius	[mm]	127	127	127	127
Magazine capacity	[cartridges]	15 *	12 *	12 *	12 *
Barrel Bore		Grooved	Grooved	Polygonal	Smooth
Rifling Pitch (R.H.)	[mm]	250	250	240	-

* To some countries the CZ 83 pistols are supplied with reduced magazine capacity in compliance with the local laws.

LIST OF ILLUSTRATIONS

1. Basic parts names
2. Magazine loading
3. Pistol loading
4. Slide release from its rear position by depressing the slide stop
5. Shifting the safety to the "SAFETY-ON" position
6. Release of the hammer to its forward position
7. Trigger guard tilting
8. Slide removal
9. Firing pin disassembly

POZNÁMKY - NOTES - ANMERKUNGEN

.....

.....

.....

.....

.....

.....

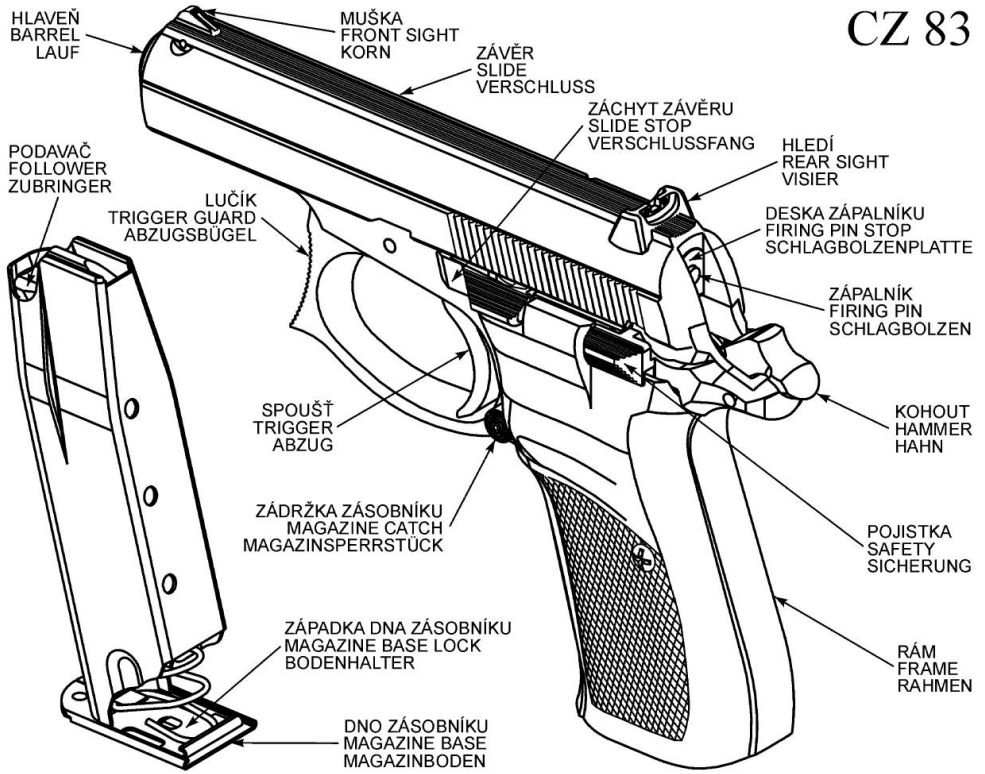
.....

.....

.....

.....

CZ 83



①



②



③



④



⑤



⑥



⑦



⑧



⑨