

J. C. Higgins
OUR OWN TRADE MARK



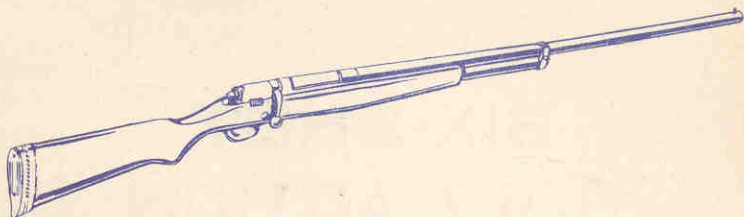
SIX-SHOT BOLT ACTION REPEATING SHOTGUN

Perfectly balanced . . . built sleek and trim for
rapid, sure-firing accuracy . . . every feature
for strength and safety.

J. C. Higgins Products are Sold
Only by Sears, Roebuck and Company

A REMARKABLE GUN VALUE

This handsome repeating shotgun has a beautifully grained one-piece walnut stock, an easy-to-hold pistol grip, and a finely machined trigger mechanism for a smooth, easy pull. The receiver is alloy steel to withstand high breech pressure. Independent safety slides alongside receiver for greatest possible protection. The barrel, of high tensile strength steel, has been proof-tested to insure safe use with maximum loads. Gun holds six shells. Rubber recoil pad fits snugly against shoulder to help absorb shock of repeated firing. There is a non-glare metal bead front sight.



INSTRUCTIONS FOR OPERATION AND CARE

IMPORTANT:—Before firing this gun be sure to clean thoroughly inside of barrel of all grease or of any obstruction.

CLEANING AND LUBRICATING:—Exclusive use of Sear's ammunition eliminates need of cleaning barrel. Should powder residue accumulate in barrel, it may be easily removed. Rotate bolt handle upward then pull back. Rest heel of stock butt on chair or floor, grasp gun barrel with left hand near muzzle. Push a brass cleaning brush through barrel muzzle end. Wipe dry, oil thoroughly with cloth. (Make sure gun is empty of shells.)

TO MAKE GUN SAFE:—Push safety button forward until "S" on receiver is visible. This movement of safety locks trigger and gun cannot be fired. ALWAYS lock this safety when carrying loaded gun.

TO PUT BOLT IN RECEIVER:—This gun is shipped with bolt assembly out of receiver. To assemble, loosen bolt stop screw. Push shell carrier up from underneath receiver until it is in its upward or loading position, slide bolt into receiver, with bolt handle up. Push bolt forward until carrier drops and turn bolt handle to right and down into locked position in receiver. Tighten bolt stop screw. Gun is now fully assembled.

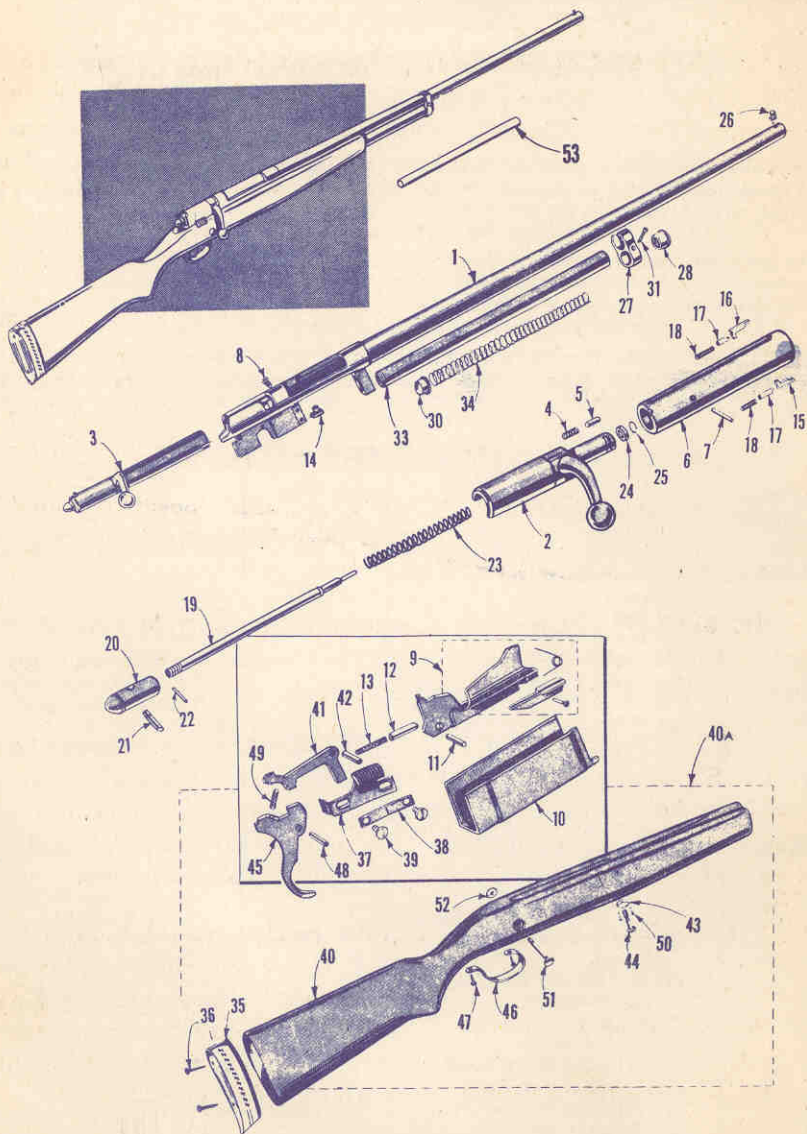
TO LOAD MAGAZINE:—Rotate bolt handle upward, then pull bolt handle back until carrier is in upward position. Turn gun with trigger guard up. Insert shells into magazine which holds five shells. To load sixth shell, turn gun to shooting position, insert front end of shell in ejection port and slide forward until it drops into carrier.

TO LOAD BARREL:—With Safety on "safe" position (with "S" showing) and loaded shell in carrier push bolt handle forward and lock bolt. Gun is now loaded and ready to fire.

TO REPEAT:—Rotate bolt handle upward and pull to rear. This extracts fired shell from barrel. Push bolt handle forward and downward, locking bolt. Gun is ready to fire.

PLUGGING MAGAZINE FOR 3 SHOTS:—Remove magazine band screw. Slide magazine band forward. Remove magazine cap being careful to hold back magazine spring which is under tension. Insert wooden plug and reassemble. This reduces magazine capacity to only 2 shells and one shell in barrel, allows 3 shells in gun.

TO TAKEDOWN GUN:—Unscrew takedown screw, grasp magazine tube and barrel and lift upward and to rear disengaging from stock. To reassemble fit receiver into bedding points in stock with trigger projecting through stock into trigger guard. Securely tighten takedown screw into receiver. Check takedown screw after heavy firing to be sure it is ALWAYS TIGHTLY assembled.



LIST OF PARTS AND ASSEMBLIES FOR J. C. HIGGINS BOLT ACTION SHOTGUN

MODEL NUMBERS

583.14 583.15 583.16

This is the Model Number of your Bolt Action Shotgun. It will be found on the left side of barrel, just forward of receiver. Always mention this Model Number when communicating with us regarding the Bolt Action Shotgun or when ordering parts.

HOW TO ORDER REPAIR PARTS

All parts listed herein may be ordered through any Sears retail or mail order store. In ordering parts by mail from the mail order store which serves the territory in which you live, always be sure to follow instructions below. Save this list — it is valuable.

WHEN ORDERING REPAIR PARTS AND/OR ASSEMBLIES

Please specify Model No., Part No. and Part Name. When ordering barrels be sure to identify as to type of choke required. All parts identified with an asterisk (*) must be fitted to the gun by gunsmiths in the Sears mail order houses or by qualified gunsmiths.

(PRICES FURNISHED ON REQUEST)

Ref. No.	Part Number	PART NAME	Ref. No.	Part Number	PART NAME
1	200	Barrel (specify choke desired)	4	204	*Bolt Handle Aligning Plunger Spring.....
2	201MA	*Bolt Body Assembly	5	203	*Bolt Handle Aligning Plunger....
		(Composed of:	6	210MA	*Bolt Head & Stud Assembly.....
		201 Bolt Body			(Composed of:
		202 Bolt Handle			205 Bolt Head
		223 Firing Pin			210 Carrier Operating Stud)
		224 Firing Pin Head	7	206	Bolt Head Retaining Pin.....
		225 Firing Pin Head Cross Pin	8	207	Bolt Stop Screw.....
		226 Firing Pin Head Lock Pin	9	208AMS	Carrier Assembly.....
		227 Firing Pin Spring			(Composed of:
		228 Firing Pin Spring			208AM Carrier & Trunnion
		Retaining Sleeve			Assembly
		229 Firing Pin Spring Retain-			215 Cartridge Stop Pin
		ing Sleeve Stop Ring)			217 Combination Cartridge
3	201M	Bolt Body and Bolt Head			Stop Spring
		Assembly.....			216 Combination Cartridge
		(Composed of:			Stop & Lifter)
		201MA Bolt Body Assembly	10	209	Carrier Housing.....
		203 Bolt Handle Aligning	11	211	Carrier Pin.....
		Plunger	12	212	Carrier Plunger.....
		204 Bolt Handle Aligning	13	213	Carrier Plunger Spring.....
		Plunger Spring	14	218	Ejector.....
		210MA Bolt Head and	15	219	Extractor, Right Hand.....
		Stud Assembly	16	220	Extractor, Left Hand.....
		219 Extractor, Right Hand	17	221	Extractor Plunger
		220 Extractor, Left Hand	18	222	Extractor Spring.....
		221 Extractor Plunger	19	223	Firing Pin.....
		222 Extractor Spring	20	224	Firing Pin Head.....
		206 Bolt Head Retaining Pin)			

Ref. No.	Part Number	PART NAME	Ref. Part No. Number	PART NAME
21	225	Firing Pin Head Cross Pin.....	40A 248M	Stock Assembly.....
22	226	Firing Pin Head Lock Pin.....		(Composed of:
23	227	Firing Pin Spring.....		241 Recoil Pad
24	228	Firing Pin Spring Retaining Sleeve.....		242 Recoil Pad Screw (2)
25	229	Firing Pin Spring Retaining Sleeve Stop Ring.....		248 Butt Stock
26	230	Front Sight.....		249 Takedown Escutcheon
27	231	Magazine Front Band.....		252 Trigger Guard
28	232	Magazine Cap.....		253 Trigger Guard Screws (2)
30	233	Magazine Follower.....		250 Takedown Screw
31	234	Magazine Front Band Binding Screw.....		256 Escutcheon Pins (2)
33	238	Magazine Tube.....	41 246	260 Stock Binding Bolt
34	236	Magazine Spring.....	42 247	261 Stock Binding Bolt Nut)
35	241	Recoil Pad Assembly.....	43 249	Sear.....
		(Composed of:	44 250	Sear Pin.....
		241 Recoil Pad	45 251	Takedown Escutcheon.....
		258 Recoil Pad Insert)	46 252	Takedown Screw.....
36	242	Recoil Pad Screw.....	47 253	Trigger.....
37	243	Safety.....	48 254	Trigger Guard.....
38	245	Safety Spring.....	49 255	Trigger Guard Screw.....
39	244	Safety Screw.....	50 256	Trigger Pin.....
40	248	Butt Stock.....	51 260	Trigger Spring.....
			52 261	Escutcheon Pin.....
			53 257	Stock Binding Bolt.....
				Stock Binding Bolt Nut.....
				Wood Plug.....