



**Model 84M**  
**Bolt Action Sport Rifles**  
**Owners Manual**

Read the instructions and warnings  
contained in the manual carefully  
before using the rifle.

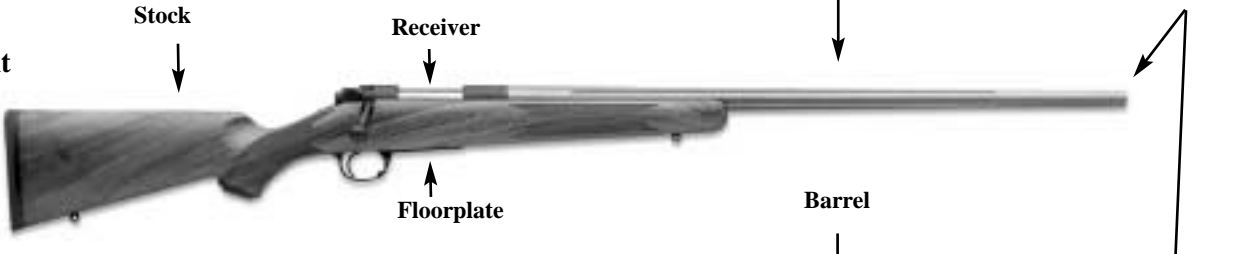
**Be sure to note warnings printed in red.**

**Light Sporting**

(Classic Pictured)



**Varmint**



**Heavy Barrel**

(Longmaster VT Pictured)



# **KIMBER**

Dear Kimber rifle owner:

Congratulations on your purchase of your new Kimber 84M sporting rifle. We can tell you with assurance that this rifle ranks as one of the finest production sporting bolt action rifles made in the world.

Predestined to become a classic in its own time, the Kimber 84M models combine many time-tested design features with modern manufacturing technology. Made only in the United States to please the tastes of American riflemen, this rifle includes the attention to detail and hand craftsmanship generally associated with custom firearms costing much more.

All the way through the manufacturing process our objective has been to produce a rifle of dependable heirloom quantity which will provide a lifetime of satisfaction for the owner and be a worthwhile investment.

Those who will settle for nothing but the best now have no other choice. No sporting rifle, regardless of price, can compete with the design, elegance, accuracy and dependability of the new Kimber 84M models.

To assure satisfaction with your new Kimber rifle we urge you to carefully read these instructions prior to operation or initial firing. Should you have any questions please feel free to contact our customer service personal at the factory in Yonkers, NY.

Firearms safety is a responsibility we all share. Kimber urges everyone to use proper care and precautions with their firearms. For additional safety information, see the National Rifle Association, the National Shooting Sports Foundation or Kimber's safety instruction at our web site: [www.kimberamerica.com](http://www.kimberamerica.com).

Sincerely

Kimber Mfg., Inc.

# TABLE OF CONTENTS

<u>Firearms Safety Procedures</u> .....	5
<b>General information and mechanical characteristics</b>	
A. Safety .....	9
B. Installing the Bolt .....	10
C. Removal of the Bolt .....	10
D. Loading and Firing the Rifle .....	11
Parts list .....	12
Exploded view .....	13
E1. Unloading the Rifle .....	14
E2. Unloading the 84M Montana Rifle .....	15
F. Disassembly of Bolt .....	16
G. Removing Barreled Action from Stock .....	16
H. Trigger .....	17
I. Action - Cleaning and Care .....	18
J. Barrel - Cleaning .....	18
K. Care and Cleaning .....	19
L. Dry Firing .....	20
M. Maintenance.....	20
N. Lead Warning.....	20
O. Scope Mounts and Bases.....	20
<b>Kimber Service Policy</b> .....	21
Warranty.....	21
Instructions for Ordering Parts .....	22
Instructions for Factory Service .....	23

# KIMBER MFG., INC. MODEL 84M

## Firearms Safety Procedures

Firearm safety is every gun owner's responsibility. Since making our first rimfire rifle Kimber has advocated the safe use, handling, secure storage and proper education that accompany responsible firearms ownership. Both general and specific firearms safety rules and information have always been packaged with every Kimber firearm.

Kimber encourages everyone to store all guns under lock and key, and to take special precautions to keep guns out of the sight and reach of children.

Today all firearms are shipped with a cable lock that when used prohibits loading and discharge. If you do not have a cable lock for your Kimber firearm we will provide one. Just send a request in writing to: Kimber Mfg., Inc., 1 Lawton Street, Yonkers, NY 10705. Please include five dollars per lock for shipping and handling. This offer is subject to change without notice.

Kimber firearms have always been and will continue to be distributed in full compliance with the letter and spirit of all applicable laws pertaining to their sale. All sales are made only to the federally licensed professional firearm dealers with fixed retail storefronts.

Failure to follow these instructions or failure to obey any safety warnings may result in injury to yourself or others, or cause damage to your gun.

As a gun owner, you accept a set of demanding responsibilities. How seriously you take these responsibilities can be the difference between life and death. There's no excuse for careless or abusive handling of any firearm. At all times handle your rifle with intense respect for its power and potential danger.

This product is classified as a lethal weapon. The failure to read and properly execute the instructions and warnings contained in this manual could result in serious injury or death or damaged property.

Remember that firearm ownership and use is a responsibility that no one should take lightly. Most firearm accidents would not occur if the following rules were observed

1. Consider every firearm loaded. Never point the muzzle at anything you do not intend to shoot.

*Always do this even though you are certain the gun is unloaded. Be extremely alert and aware of all persons or property within the range of your ammunition.*

2. Learn the mechanical and handling characteristics of the firearm you're using.

*Always assume that your gun can be fired at any time, even with all safety mechanisms engaged. Like any mechanical device, a safety can sometimes fail; it can be jarred or inadvertently manipulated into an unsafe condition. Mechanical safeties merely aid safe gun handling and are no excuse for pointing your guns muzzle in an unsafe direction. Safe gun handling does not stop with your guns mechanical safety devices - it starts there. Always treat all firearms with the respect a loaded, ready to fire gun deserves.*

3. Use the correct ammunition of the caliber and type intended for the firearm.

*The Kimber barrel and action has been made with substantial safety margins over the pressures developed by established American commercial loads. Nevertheless, Kimber, assumes no liability for incidents which occur through the use of nonstandard cartridges which develop pressures in excess of commercially available ammunition.*

4. Make sure your barrel is always free from any obstruction including mud, dirt, snow, grease, heavy oil or other foreign matter.

*Always be alert to the signs of ammunition malfunction. If you detect an off sound or light recoil when the cartridges fire, do not load another cartridge into the chamber before checking for obstructions.*

5. Always wear eye and ear protection when shooting.

*Unprotected, repeated exposure to gunfire can cause hearing damage. Wear hearing protection, shooting earplugs or muffs, to guard against such damage. Wear shooting glasses to protect your eyes from flying particles. Also, wear eye protection when disassembling and cleaning all firearms to prevent the possibility of springs, spring tensioned parts, solvents or other agents from contacting your eyes.*

6. When not in use, store unloaded guns and ammunition separately under lock and key.

*Store your firearm and ammunition separately well beyond the reach of children. Take all safeguards to insure that any firearm does not become available to untrained, inexperienced or unwelcome hands.*

7. Never climb a fence or tree or jump a ditch with a loaded gun.

*Never lean or place any loaded firearm on or against a fence, tree, car or other similar object. If this is done the gun may inadvertently fire, causing the gun to fire accidentally.*

8. Never pull a gun toward your body by the muzzle.

*If this is done, and there is an accidental discharge, you will surely be injured or fatally wounded.*

9. Keep your fingers away from the trigger, while unloading or loading, until you are ready to shoot.

10. Be sure of your target and beyond before you shoot. Never use hard flat surface or water as your backstop.

*Especially during low light conditions. Know the range of your ammunition. Never fire at water or hard objects as ricochets may occur.*

11. If repairs are necessary or indicated, contact Kimber Mfg., Inc. for further instructions.

*Do not, under any circumstances, alter the trigger, safety or other parts of the firing mechanism on this or any other firearm. Failure to obey this warning may result in injury or death to yourself or others.*

12. Never loan your gun to anyone unfamiliar with these precautions.

*Supervise and teach firearms safety to all members of your family - especially to children and non-shooters. Closely supervise newcomers to the shooting sports. Encourage enrollment in hunting/shooting safety courses. The National Rifle Association's Eddie Eagle program is a great starting point.*

13. Be defensive and on guard against unsafe gun handling around you and others.

*Don't be timid when it comes to gun safety. If you observed other shooters violating any of the safety precautions, politely suggest safer handling practices.*

14. Never drink alcoholic beverages or take any type of drugs before or during shooting.

*Your vision and judgement could be dangerously impaired, making your gun handling unsafe to you and to others.*

15. Don't neglect periodic maintenance. Avoid unauthorized servicing.

*Your new firearm is a mechanical device, which will not last forever, and as such, is subject to wear and requires periodic inspection, adjustment, and service. Kimber firearms should only be serviced by authorized gunsmiths at the factory. Kimber cannot assume any responsibility for injuries suffered or caused by unauthorized servicing, alterations or modifications.*

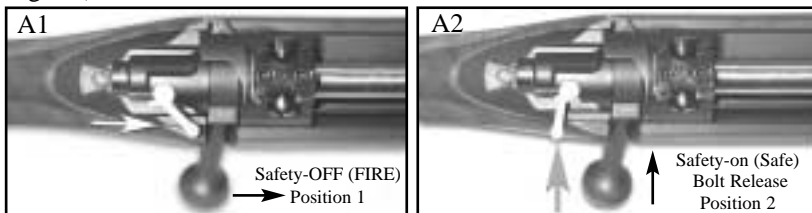
*Important: Before firing, thoroughly clean the inside of the barrel and chamber to remove any grease oil or other possible obstructions.*



## Service Information

### A. Safety

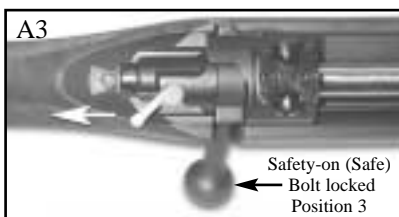
The safety lever is a traditional 3 position version of the Model 70 type, it allows unloading from the safe position (see Fig. A2). When the safety is in the full rearward position the bolt is locked and a cartridge cannot be removed (see Fig. A3).



The safety lever is located at the right rear of the bolt. There are 3 positions of the safety lever. Position 1 – the safety lever is fully forward. The rifle will fire upon depressing the trigger! Position 2 – The safety lever is at half forward position. The rifles safety is engaged, and the bolt is free to be opened to unload or view the chamber. Position 3 – The safety lever is pulled completely to the rear, the safety is on and the bolt is locked in position.

1. To engage the safety, pull the serrated lever fully to the rear (as pictured in Fig. A3).
2. When you are prepared to fire, push the serrated lever fully to the forward position (see Fig. A1). Note: The safety mechanism is fitted into position before the rifle leaves the factory. You should see a red dot on the back of the safety.
3. To unload the rifle or view the chamber of the rifle, you must first engage the safety to the rear. Then, push the serrated lever forward to the half way position (see Fig. A2). You may now safely open the bolt to inspect or unload the rifle (see Section: UNLOADING THE RIFLE).

**CAUTION:** The rifle should never be carried with the safety lever in Position 2. The lever may be manipulated forward to the fire position without the user knowing it. **POSITION 2** is only for Chamber inspection and unloading of the weapon.



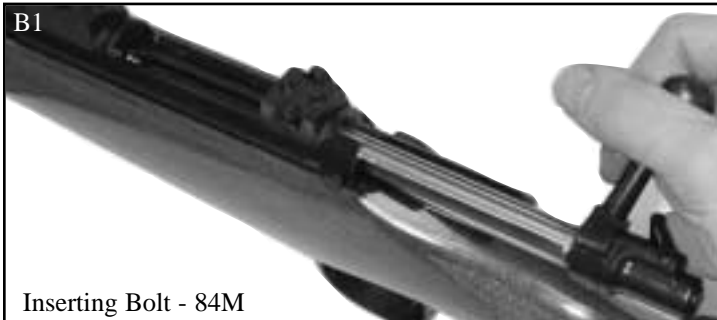
**WARNING:** When the safety lever is in the forward position the rifle will fire. Do not touch the trigger while moving the safety. Never pull the trigger when the safety is in the “Safe” position. Even when the rifles safety is in the “safe” position, always adhere to Safety procedures on pages 5 - 8.

*No safety or mechanical device is a substitute for careless handling of firearms. Even with the safety on, never point the muzzle at anything you do not intend to shoot.*

## B. Installing the Bolt

Your rifle is completely assembled except for the bolt, which has been removed for safety during transportation and storage. The bolt is packed separately in the shipping carton.

1. To install, hold rifle in your left hand.
2. With your right hand, slip the bolt head forward into the receiver.  
NOTE: Special care should be taken not to contact the comb of the stock as damage could occur.
3. Rotate the bolt handle down to place bolt in the fully closed position.



## C. Removal of Bolt

1. Point rifle in safe direction.
2. Place the safety switch to the rear (on safe) position. Keep your finger away from the trigger.
3. Lift the bolt handle and slide the bolt to the rear. Check the ejection port to confirm that the firing chamber is empty.

**NOTE:** Every time you lift the bolt handle it automatically blocks the firing pin so the rifle cannot be fired. If the bolt is closed the rifle will be ready to fire unless you manually apply the safety.



4. Find the bolt stop lever (see Fig. C1), a small rectangular knob at the left rear section of the receiver.
5. While pushing the bolt stop lever down, pull the bolt fully to the rear and clear of the receiver. (see Fig. C2)

**NOTE:** Be careful not to contact the comb of the stock, as damage to the finish may occur. This type of damage will not be covered under Warranty.



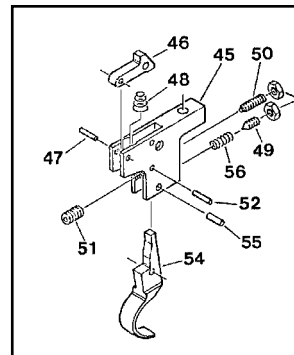
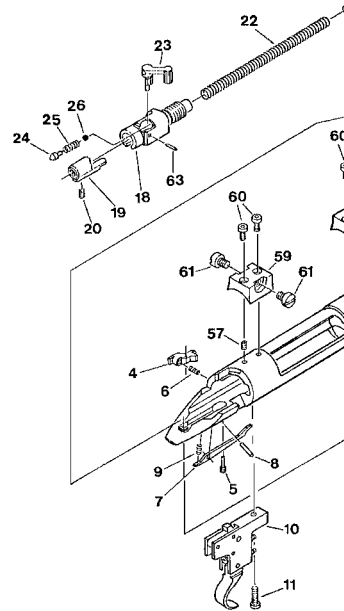
#### **D. Loading and Firing the Rifle**

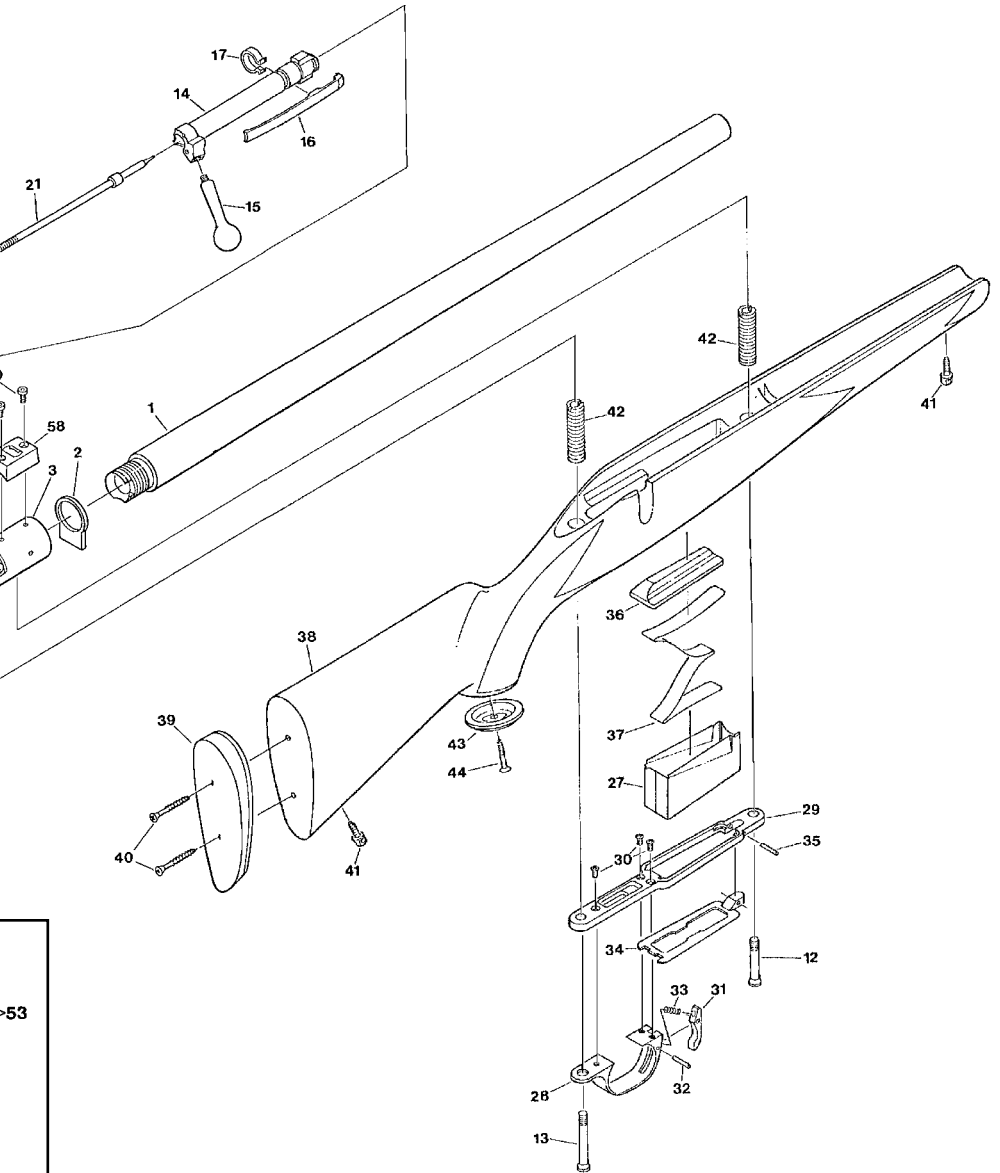
1. Point the rifle in a safe position.
2. Before attempting to load the rifle it is imperative too visually inspect that the barrel is clear of oil, dry and free of any obstructions.
3. Check that you have the proper caliber ammunition. (Check caliber of rifle on the barrel where the barrel and receiver meet.)
4. Place the safety lever into Position 2 (see Fig. A2).
5. Raise the bolt handle and slide the bolt to the most rearward position.
6. Feeding one cartridge at a time, push three of the correct caliber cartridges into the magazine, making sure to keep cartridge aligned with the chamber (see Fig. D1 & D2).
7. To close the bolt, first, use your fingers to push the cartridges all the way into the magazine. Then, while pushing the top cartridge downward with your thumb or finger, enough to clear the bolt, slowly slide the bolt assembly forward so that the bolt glides over the top of the cartridge in the magazine.
8. When the bolt is fully seated, push the bolt handle down.  
**THE RIFLE IS NOW LOADED WITH AN EMPTY CHAMBER.**
9. Lift the bolt handle, pull the bolt fully to the rear, slide bolt forward, picking up the cartridge, when the bolt is fully closed, rotate bolt handle down, pull the safety lever to the Position 3 (see Fig. A3).  
**THE RIFLE IS NOW LOADED!**
10. To fire the rifle, push the safety to the forward position (see Fig. A1).  
**THE RIFLE IS NOW READY TO FIRE!**

## Parts List

- |                                   |   |
|-----------------------------------|---|
| 1. Barrel**                       | 42. Pillar                                    |
| 2. Recoil Lug**                   | 43. Grip Cap*                                 |
| 3. Receiver**                     | 44. Grip Cap Screw                            |
| 4. Bolt Stop                      | 45. Trigger Housing****                       |
| 5. Bolt Stop Screw                | 46. Sear****                                  |
| 6. Bolt Stop Spring               | 47. Sear Pivot Pin                            |
| 7. Ejector                        | 48. Sear Spring                               |
| 8. Ejector Pin                    | 49. Trigger Pressure Spring                   |
| 9. Ejector Spring                 | 50. Trigger Overtravel                        |
| 10. Trigger Assembly              | 51. Sear Contact Adjustment                   |
| 11. Trigger Fixing Screw          | 52. Securing Pin                              |
| 12. Takedown Screw - Front        | 53. Trigger Adjustment Nut                    |
| 13. Takedown Screw - Rear         | 54. Trigger                                   |
| 14. Bolt                          | 55. Trigger Pivot Pin                         |
| 15. Bolt Handle                   | 56. Trigger Pressure Spring                   |
| 16. Extractor                     | 57. Scope Base Plug                           |
| 17. Extractor Clip                | 58. Scope Base, Front***                      |
| 18. Cocking Piece Housing         | 59. Scope Base, Rear***                       |
| 19. Cocking Piece                 | 60. Scope Base Screw***                       |
| 20. Cocking Piece                 | 61. Scope Clamping Screw***                   |
| 21. Firing Pin                    | 62. Safety Fixing Pin                         |
| 22. Firing Pin Spring             |   |
| 23. Safety                        |   |
| 24. Cocking Piece Housing Plunger |   |
| 25. Safety Plunger Spring         | • * Supplied Only As Stock Assembly           |
| 26. Cocking Piece Housing Locator | • ** Supplied Only As Barrel Assembly         |
| 27. Magazine Well                 | • *** Should be Ordered Separately from Rifle |
| 28. Trigger Guard                 | • **** Supplied Only As Trigger Assembly      |
| 29. Floor Plate                   |   |
| 30. Trigger Guard Screw           |   |
| 31. Latch                         |   |
| 32. Latch Pin                     |   |
| 33. Latch Spring                  |   |
| 34. Trap Door                     |   |
| 35. Trap Door Pin                 |   |
| 36. Magazine Follower             |   |
| 37. Magazine Spring               |   |
| 38. Stock*                        |   |
| 39. Butt Plate*                   |   |
| 40. Butt Plate Screws             |   |
| 41. Sling Swivel                  |   |

## Exploded View





53

**NOTE:** By recycling the bolt backwards and forwards, loaded rounds should enter into the chamber in a controlled manner. In other words, the rim of the cartridge case should slide up into the bolt face as the bolt is moved forward and cartridges picked up out of the magazine. The cartridge will then feed into the chamber. The bullet should not touch any part of the mechanism as it is feeding into the chamber.



### **E1. Unloading the Rifle**

1. Point the rifle in a safe position.
2. Place the safety into the SAFE position (see Fig. A1).
3. Raise the bolt handle and slide the bolt slowly to the rear position with your free hand over the ejection port.
4. Remove cartridge with free hand.
5. Once the first cartridge is removed, place your hand under the floor plate.
6. Push the Trap door release latch to drop the trap door plate (see Fig. D3). The magazine spring, follower and cartridges will be released from the magazine.
7. Remove released cartridges.
8. Push the follower back into the magazine, then close the Trap door making sure the latch fully engages.

## E2. Unloading the 84M Montana Rifle (No Floorplate)

1. Repeat steps 1 through 4 in Section E1.
2. Keeping the muzzle pointed in a safe direction, push the bolt handle slowly forward, just until the next cartridge is released from the magazine.  
**Caution:** The cartridge may possibly slide forward into the chamber if the bolt is pushed to far forward. Normally, the cartridge will slide back with the bolt if the bolt is pulled rearward. If the cartridge remains in the chamber, then you must slide the bolt all the way forward and push the bolt handle downward to close the bolt. **THE GUN IS NOW READY TO FIRE.** Then repeat #1-4 of Section E1 to remove the cartridge.
3. Pull the bolt handle slowly to the rear position. With your free hand over the ejection port, the cartridge should come free of the bolt.
4. Repeat #2 & 3 until the magazine well is completely empty, and the chamber is empty.

**WARNING:** Visually inspect the magazine and chamber to confirm that there are no cartridges in the rifle.

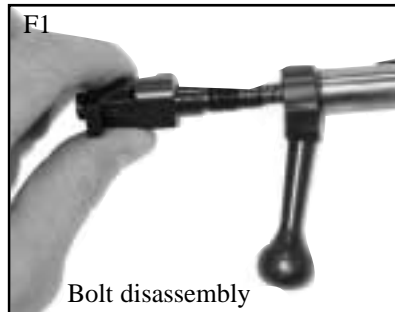


## F. Disassembly of the Bolt

**NOTE:** Only the firing pin assembly can be disassembled from the bolt.

1. Make sure the rifle is unloaded. Lift the bolt handle and close it to cock the firing pin.
2. With the firing pin in the cocked position, pull the safety into the safe position (see Fig. A1).
3. Lift up on the bolt handle remove the bolt (see Section C).
4. With your hand, unscrew the cocking piece housing counter clockwise out of bolt. (see Fig. F1)
5. You now have the firing pin assembly ready for inspection, cleaning and oiling.

**NOTE:** Further disassembly of the bolt is not recommended. If for any reason you cannot assemble the bolt together, do not use force. Send the parts to Kimber Mfg.



## G. Removing Barreled Action from Stock

When taking the barreled action out of the stock, the following procedure should be carefully followed to avoid damage to stock.

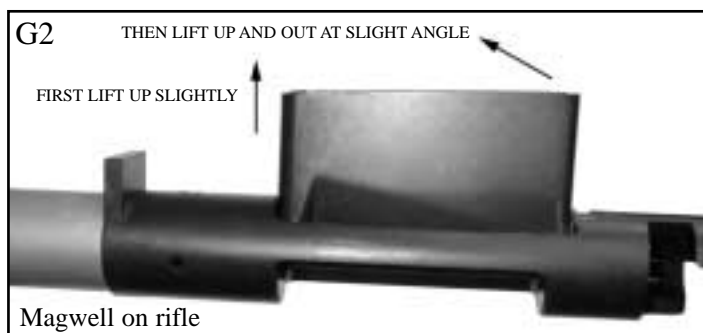
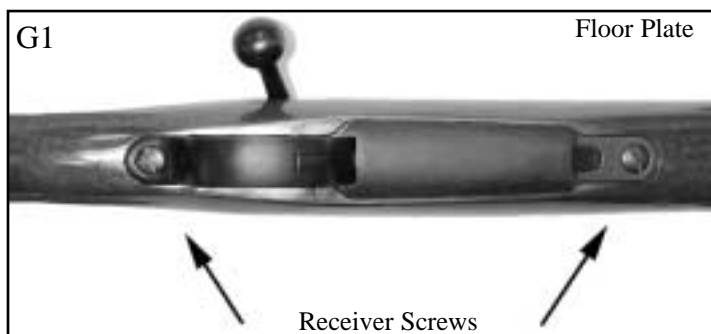
1. Put the Safety in the rear (on) position.
2. Remove Bolt assembly (see Section C).
3. Remove both takedown Screws from trigger guard (see Fig. G1).
4. Carefully lift the barreled action from the stock taking particular care to protect the wood around the receiver tang area.
5. The Magazine Well can easily be removed from the action for cleaning (see Fig. G2) by lifting the forward section up slightly then pull entire Magazine Well out of the action. To re-install carefully slip the rear of the Magazine Well into the action until bottomed out then push the front down until seated snugly in the action.

**NOTE:** The floor plate and trigger guard do not have to be removed in order to take the barreled action out of the stock. If for some reason they are removed, be sure to replace them before the barreled action is put back into the stock.



If for some reason the trigger guard must be removed from the stock, the best way to achieve this is to lightly tap each end of it, fore and aft, with the tip of a screwdriver from inside the stock.

To return the action to the stock, reverse procedures 1 through 4. Be sure to tighten the front take down screw first, then the rear screw.



## H. Trigger

The trigger is a single stage mechanism which is set at the factory for between 3 - 3-1/2 lbs. for Varmint Models and between 3-1/2 and 4 lbs. for the Classic Models.

It is fully adjustable for over travel, depth of sear engagement and weight of pull. However, the trigger pull has been set at the factory with proper overtravel and sear engagement, so we do not recommend disassembly or adjustment except by a qualified gunsmith or by our factory personnel.

*Only experience Kimber gunsmiths should  
adjust the trigger mechanism.*

## **I. Action – Cleaning & Care**

When it is necessary to clean the action, the stock should be removed. Clean the action with a good quality gun cleaning solvent such as Shooters Choice Extreme Clean or other quality gun solvent. Follow Manufacturers directions then re-oil lightly with Shooters Choice FP-10 or other high quality gun oil. The cocking cam surfaces on the bolt should be kept lubricated.

**NOTE:** Use oil in moderation, remember more is not better. A light coating is all that is needed.

## **J. Barrel – Cleaning**

Always visually check the chamber and magazine to assure no cartridges are in the rifle.

1. Always use a good quality cleaning kit with the proper caliber rods and brushes.
2. Follow gun solvent manufacturers cleaning instructions for bore cleaning.

**NOTE:** Some gun bore solvents are extremely aggressive to metal and wood finishes, Kimber accepts no responsibility for damaged finishes due to misuse of solvents.

3. Remove bolt assembly (see Section C).
4. Use correct cleaning rod and patch attachment.
5. Run patch completely through bore from the action end, once the patch is clear of the barrel, wet the patch with solvent. Pull the rod through the barrel to wet the inside thoroughly (this will assure no solvents will leak down into the action and into the wood stock).
6. Change to correct caliber brass cleaning brush.
7. Push the brush completely through the bore exiting to the front of the barrel. Place solvent on brush then pull the brush back through the barrel.

**SPECIAL NOTE:** Always make sure the ejection port is facing towards the floor and the barrel is horizontal on a flat protected surface so as to allow excess solvent to fall away from the workings of the gun.

8. Push the cleaning rod and brush from the action end through the barrel bore several times.
9. Remove brush and replace with swab/patch tip then push through bore.
10. Repeat steps 5 - 7 several times until the fresh patches come out clean.
11. Push a dry patch through the bore to remove any solvent residue.
12. Wipe exterior surface with a lightly oiled cloth.
13. If storing for any period of time, lightly oil the inside of the barrel. Remember to always remove any oil from inside the barrel before firing.

## K. Care and Cleaning

When storing any firearm, always thoroughly clean and oil. Outside surfaces should be wiped with a light coat of oil or good quality rust preventative such as Shooters Choice Rust Prevent or equivalent.

*Before firing any firearm, be sure to remove all excess lubrication from the gun, making sure the chamber and bore of the firearm is clean and dry of any oil.*

Handling leaves invisible prints of moisture that can cause rust to metal parts. Always wipe receiver and barrel with an oiled cloth after handling. Rust is neglect.

Abrupt temperature changes cause condensation and moisture; therefore, special care to interior metal parts is needed to prevent rusting.

Do not store the rifle overnight in the trunk of a car, even if it is inside a soft gun case. Humid, cool conditions can cause condensation and rust in a short period of time.

Insure that a light coating of oil is maintained on the bolt and receiver thus insuring a smooth fluid functioning of these two major parts.

*Warning: after cleaning the bore, always check to see that no part of the cleaning rod or part of a patch remains inside the barrel as an obstruction.*

The wood stock on your gun requires very little care. Wipe the wood stock of your Kimber rifle with a good quality wood or furniture polish or wax. Using this method will enhance the beauty and durability of your rifle.

### Owners of Models with Kevlar Synthetic Stocks

Your synthetic stock should give you years of trouble free performance if you follow a few simple rules.

1. Do **not** use Degreasers, Lacquer Thinners or aggressive Cleaners on your stock! The finish will not be covered under Warranty if damage caused by solvents or aggressive cleaners is evident.
2. To avoid Bore solvents from dripping and settling into your stock, remove the stock from the action when cleaning the rifle (see Section G, #1-4 Removing Barreled Action from Stock). If solvent comes in contact with the stock, immediately wipe the solvents from the stocks finish.
3. For cleaning, use only soap and water or mild Car Washing Detergent. Allow to air dry before reassembling the rifle. **Never** use solvents to clean your Stock.

## **L. Dry Firing**

Going through the actions of cocking, aiming and pulling the trigger of an unloaded gun is known as dry firing. Dry firing can be useful to learn the feel of your new Kimber rifle. Be certain the rifle is unloaded and pointed in a safe direction even when practicing. Your new Kimber rifle can be dry fired without damage to the firing pin or other components.

## **M. Maintenance**

This rifle should be checked periodically by competent gunsmiths to ensure proper function and replacement of any worn or damaged part. This is best performed at the factory by Kimber trained gunsmiths.

## **N. Lead Warning**

Discharging firearms in poorly ventilated areas, cleaning firearms, or handling ammunition may result in exposure to lead and other chemicals known to cause birth defects, reproductive harm, cancer, and other serious physical injury. Have adequate ventilation at all times. Wash hands thoroughly after exposure.

## **O. Scope Mounts and Bases**

The model 84M rifle receiver is drilled and tapped for Kimber two piece contoured scope mount bases. The front scope mount base is different from the rear. Order only Kimber rifle scope mount base in sets. They are available from your dealer or from our customer service department in Yonkers, NY. Remember that you will need one base for the front and one for the rear. The screws and wrench are supplied with the bases.

The Kimber scope mount bases will accept Redfield, Leupold and Burris rotating front dovetails and windage adjustable rear ring sets.

Before ordering scope rings is very important to first decide on the scope you want to fit. This will have a bearing on the height of the rings you need to order.

Most styles of rings come in at least three different heights. Medium height rings should be adequate for all standard size scopes. Low and high rings are available for special applications.

## **Kimber Service Policy**

Kimber Mfg., Inc. does not recommend and is not responsible for any alteration or modification to the rifle not made by Kimber factory personnel, nor the replacement of worn or damaged parts with those not manufactured by Kimber Mfg., Inc. We reserve the right to refuse service on firearms that have been altered, added to or substantially changed.

Every rifle is carefully inspected and test fired for function and accuracy before shipment to insure that is leaving the factory in perfect condition and fully conforms to our specifications and standards. Should damage occur enroute, or if there are any questions regarding its performance, please call, fax, email or write our Customer Service department in Yonkers, NY and fully describe the problem encountered.

## **Warranty**

This limited warranty has been drafted to comply with the Magnuson-Moss Warranty Federal Trade Commission Improvement Act which is effective for goods manufactured on or after December 31, 1995.

Kimber Mfg., Inc. firearms are warranted to be free from defects in material and workmanship for one year after the date of original new gun retail purchase. The manufacturer agrees to correct by repair or replacement (with the same or comparable quality model) your firearm, without charge, if returned prepaid with a copy of the bill of sale.

Kimber Mfg., Inc. assumes no responsibility for product malfunction or for physical injury or property damage resulting in whole or in part from criminal or negligent use of the product, improper or careless handling, unauthorized modifications, use of defective, improper, hand-loaded ammunition, customer abuse or neglect of the product, or other influences beyond Kimber Mfg., Inc.'s control. This warranty does not apply to normal wear of any parts, including metal, wood, plastic, rubber and other materials surface finish or if unauthorized repair and/or alteration has been performed.

This warranty does not cover repairs related to unreasonable use, corrosion, failure to provide proper maintenance, damaged or shopworn display guns, gun barrels damaged by an obstructed bore or guns damaged in return shipment due to improper packing and handling.

Kimber Mfg., Inc. reserves the right to inspect any product before making any adjustment covered by this warranty.

Under no circumstances shall Kimber Mfg., Inc. be liable for incidental or consequential damages with respect to economic loss or injury or property damage whether the result of breach of express or implied warranty. Some states do not allow the exclusion of consequential or incidental damages so the limitation may not apply to you. This warranty gives only the original retail purchaser specific legal rights. Other rights may also be available which may vary from state to state.

The terms of this warranty cannot be changed except in writing by an officer of Kimber Mfg., Inc.

The Kimber factory at: 1 Lawton Street, Yonkers, NY 10705 is the only authorized repair location.

## **Instructions for Ordering Parts**

Please provide model number/name, part number and part name. Supply serial number and caliber of gun. Identify parts from list, or exploded view.

Parts being made to close dimensions, may require slight adjustment or fitting to insure proper function of the firearm.

Please note that some parts are marked restricted - these parts can only be ordered and mailed to gunsmiths with FFL's on record.

Send part orders directly to;

Kimber Mfg. Inc.  
Parts Department  
1 Lawton Street  
Yonkers, NY 10705

## **Instructions for Factory Service**

Return firearms to Kimber Mfg., Inc. for factory service only upon authorization by Kimber customer service personnel. A return authorization number will be assigned to every authorized firearm return.

Please package your firearm carefully. Ship firearm in original shipping container with proper cushioning material to prevent movement of gun or parts. Gun cases are especially recommended for return shipping. Clearly mark forwarding and return address on the outside of the package as well as on attached letter.

Securely attached complete letter to outside of each package returned to the factory. Include also inside the package a copy of the same letter. The contents of the letter must include: your name, complete mailing address, your telephone number, serial number of firearm and a complete description of the problem.

Please do not return gun accessories such as sling straps, quick release swivels, telescopes, mounts or any other special equipment to the factory with the gun shipment. Identify complete condition of firearm and contents - any parts missing or damaged.

To avoid delays please do not include part orders with repair instructions.

Unless otherwise specified return shipments will be made by UPS. Kimber gun parts are not interchangeable with those of any other make. For this reason Kimber cannot service any gun not of its manufacture.

Before packaging guns for return to the factory, all ammunition must be removed.

Please send repairs directly to:

KMI

Warranty Repairs

1 Lawton St.

Yonkers, NY 10705



**Kimber Mfg., Inc.**  
**1 Lawton Street**  
**Yonkers, NY 10705**

Sales - Telephone - 888-243-4522

Customer service - Telephone - 914-964-0771

Customer service - Fax - 914-964-9340

Web address: [www.kimberamerica.com](http://www.kimberamerica.com)