



OWNER'S MANUAL

FOR THE RESERVE™ SERIES OVER/UNDER BREAK ACTION SHOTGUN

IMPORTANT "SAFETY WARNINGS" — NOTE THE SYMBOL 

THESE SAFETY WARNINGS ARE FOR YOUR PROTECTION AS WELL AS THE SAFETY OF OTHERS. DISREGARDING INFORMATION IN THIS MANUAL MAY RESULT IN SERIOUS INJURY OR DEATH.



Be certain this owner's manual is available for reference and is kept with this firearm if transferred to another party. If the manual is lost or misplaced, contact Mossberg International for a free replacement copy.



After performing any work on your firearm such as cleaning, adjustments, disassembly, or installation of any accessory, the firearm should be checked for proper functioning before firing live ammunition.



Firearms are complex mechanisms. Any modification, alteration, or improper fitting of parts may result in a dangerous malfunction, damage to the firearm and injury to the shooter and/or other persons. The firearm's owner is responsible for the correct reassembly and functioning of the firearm after any disassembly or replacement of parts.



If you do not understand any of the material in this manual or have any questions, contact Mossberg International or a qualified gunsmith directly.



Do not attempt to load or use any firearm until you have read and understood the information contained in its owner's manual. Before handling your firearm, you should learn how it operates and how to maintain it. This includes knowing its basic parts, how the manual safety and other safety features operate, how to safely open and close the firearm, and how to safely load and unload ammunition from the firearm. Improper use and handling is dangerous and could cause serious injury or death to you or those around you. All users of the firearm must become thoroughly familiar with the warnings and instructions in this manual.

distributed by

MOSSBERG INTERNATIONAL, INC.

P.O. BOX 455 • 7 GRASSO AVENUE, NORTH HAVEN, CT 06473

PHONE (203) 230-5331 FAX (203) 230-5418

www.mossbergintl.com

Safety and safe firearms handling is everyone's responsibility.



As the owner of a firearm, you must undertake the full-time responsibility of safe firearms handling and storage for your own safety and the safety of those around you:

- Keep all firearms and ammunition out of the reach of children.
- Store your firearms and ammunition separately.
- Never store a loaded firearm.
- Never leave a loaded firearm unattended.
- Never transport a loaded firearm in a vehicle.
- Unload your firearm when you have stopped shooting and when you have to climb a tree, fence, cross a slippery surface or have to transport it in a vehicle.
- Do not load your firearm before you are in a place where it is safe to shoot, and keep your finger off the trigger until you are on target and have decided to fire.
- Never shoot at water, rocks or any hard surfaces. Shots may glance off such surfaces and cause injuries.
- Do not use alcohol or drugs before or while handling firearms.
- Do not touch the trigger while the safety button is being engaged or disengaged.



Always point the muzzle of your firearm in a safe direction, regardless of whether the firearm is loaded or unloaded.



Always treat every firearm as if it were loaded. Give your firearm to someone with the action open and safety fully rearward in the “ON” (SAFE) position, after you verify the firearm is unloaded. Insist on the same procedure when receiving a firearm from someone else. Learn the location of all the safety features of your firearm and how they operate.



Wear eye and ear protection when shooting. Shooting without proper ear protection can cause hearing damage. The use of eye protection during any type of shooting is important to protect your vision.



WE SPECIFICALLY DISCLAIM ANY RESPONSIBILITY FOR DAMAGE OR INJURY WHATSOEVER OCCURRING IN CONNECTION WITH, OR AS A RESULT OF, THE USE OF FAULTY, OR NON-SAAMI STANDARD, OR “REMANUFACTURED” OR HAND-LOADED (RELOADED) AMMUNITION. ADDITIONALLY, WE DISCLAIM ANY RESPONSIBILITY FOR DAMAGE OR INJURY WHICH RESULTS FROM ANY MODIFICATIONS OR CHANGES THAT ARE NOT A PART OF THE FIREARM AS DELIVERED FROM THE FACTORY.



Learn to clean your firearm thoroughly and make certain no oil, grease, or other materials are blocking the barrel. Obstructions of any kind can cause damage to the firearm and may result in serious personal injury to the shooter and/or others nearby.



Practice proper firearm maintenance and safety. Make sure all exposed metal surfaces are coated with a thin film of oil, especially after being exposed to damp weather. (See proper section of this manual for cleaning instructions.) Do not plug barrel or store in a fabric-lined case that will absorb lubricants from the firearms. Before using after storage, follow complete instructions stated in this manual for familiarization with the firearm. A thorough inspection should be performed before going into the field. Have your firearm periodically checked by a qualified gunsmith.

TABLE OF CONTENTS

	Page
Mechanical Safety	2
Assembly	3-6
Loading the Shotgun	6
Firing the Shotgun	7
Unloading the Shotgun	8
Cleaning and Lubrication	8
Function Testing	9
Choke Tubes	10
Service Instructions	11
Warranty Information	12
Notes	13-15
Parts List	16
Exploded View	17
<i>The Basic Rules of Safe Firearms Handling</i>	Back Cover

OPERATING INSTRUCTIONS



Read and understand this entire manual and its safety warnings before handling the shotgun.

MECHANICAL SAFETY

The safety button and barrel selector switch is located on the top rear portion of the receiver (Fig. 1) and must be manually moved to the desired position by the shooter. The safety button's position affects both barrels. The barrel selector switch requires the user to move the safety button to the "ON" (SAFE) position before selecting which barrel should be fired first.

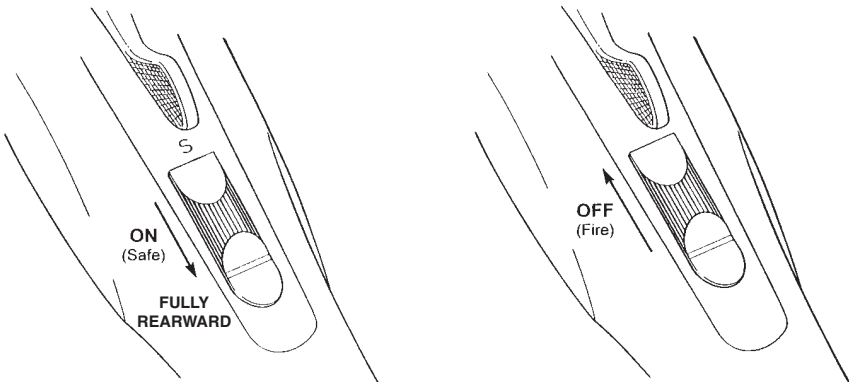
To engage the safety button to the "ON" (SAFE) position, the safety button must be moved fully rearward. The safety button will now expose an "S" located just in front of the safety button. The "S" is a training aid used only to show the direction of the "ON" (SAFE) position and should not be used as an indicator that the safety is "on" or "off." Moving the safety button forward toward the muzzle of the shotgun will place the safety button in the "OFF" (FIRE) position.



Remember, a firearm's manual safety is a mechanical device which can never replace safe firearm handling practices.



Never rely on any mechanical mechanism or safety device to prevent the dangers of careless handling or pointing a firearm in an unsafe direction.



(Fig. 1)

ASSEMBLY

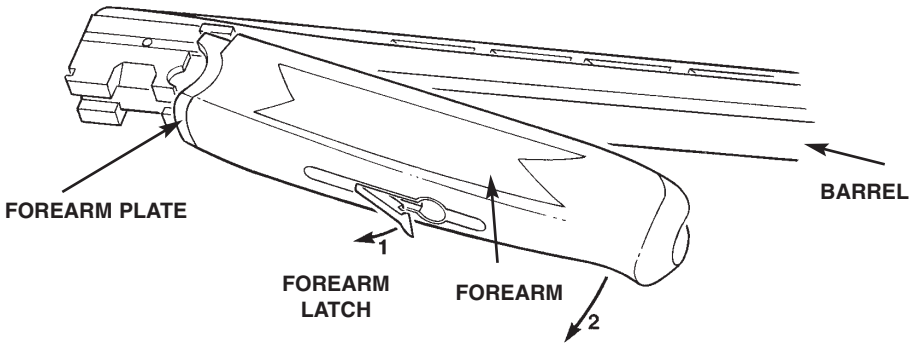


Before assembly and/or performing any work on your firearm, visually and physically inspect it to be sure that the firearm is completely unloaded. Keep the firearm pointed in a safe direction at all times.

The shotgun is shipped from the factory with the barrel and forearm assemblies disassembled from the receiver/stock assembly.

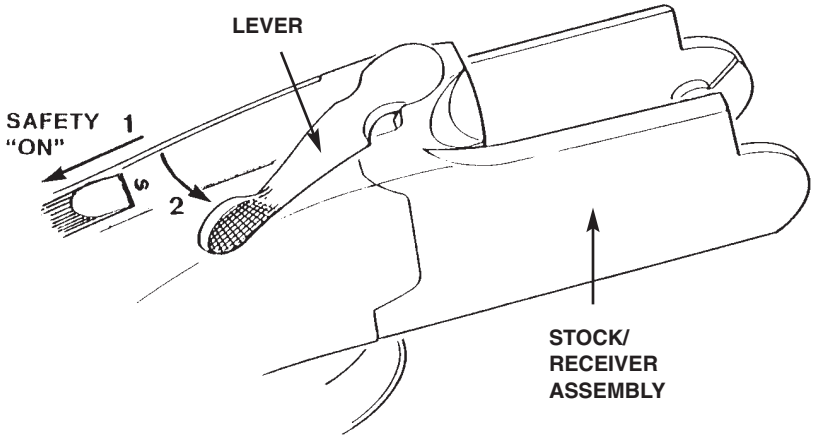
After carefully removing both components from the box, inspect the inside of both barrels to ensure they are free of any excess oil, grease or obstructions. Obstructions of any kind can cause damage to the firearm and may result in serious personal injury to the shooter and/or others nearby.

To assemble the barrels to the receiver you must first remove the forend. Locate the latch on the underside of the forend. Lifting the latch and pulling the forend away from the barrels will allow you to remove the forend.



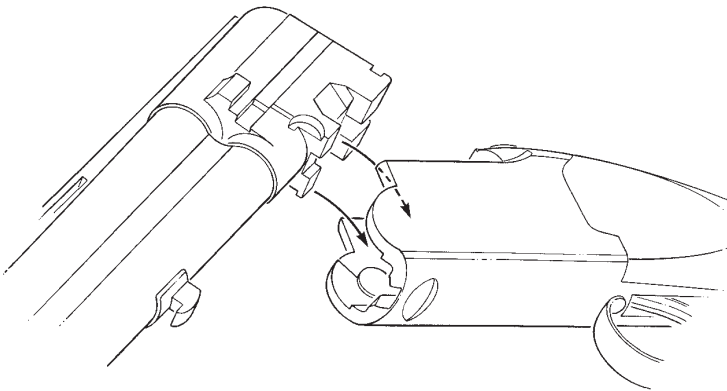
Next, take the stock/receiver assembly and make certain that the safety button is fully rearward in the "ON" (SAFE) position (Fig. 1).

To assemble the barrels to the receiver, the top lever must be locked in the extreme right-hand position. Move the lever to the right until it stops and stays in the extreme right-hand position.



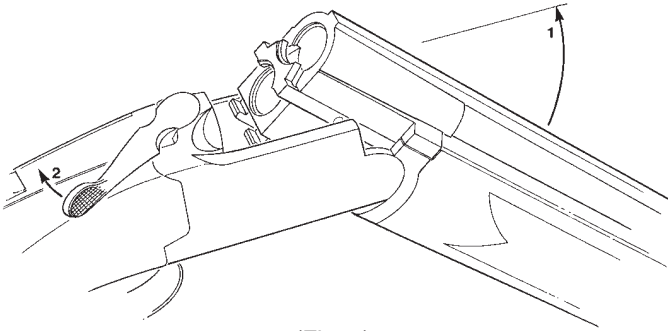
(Fig. 2)

The stock/receiver is now ready to accept the barrel assembly. To assemble the barrel to the stock/receiver assembly, locate the half-round cuts in the barrel lug (Fig. 2.5) and the round hinge pins inside of the receiver. With the barrel assembly held approximately 45 degrees to the stock/receiver assembly, mate the round cuts of the barrel assembly to pivot on the round receiver hinge pins.



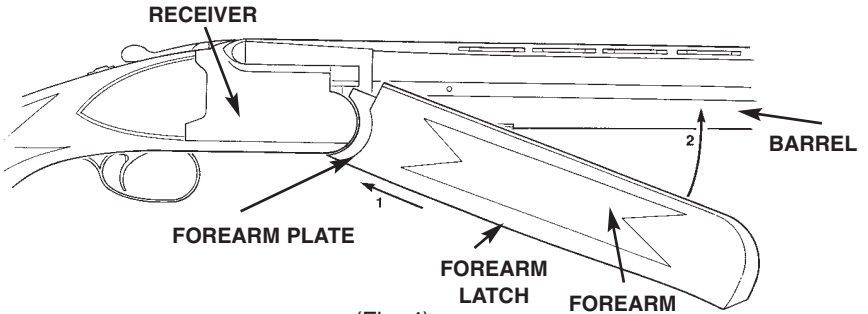
(Fig. 2.5)

Swing the barrel up firmly without forcing to its fully closed position (Fig. 3). The lever will snap to a centered position. The barreled action is now ready to receive the forearm.



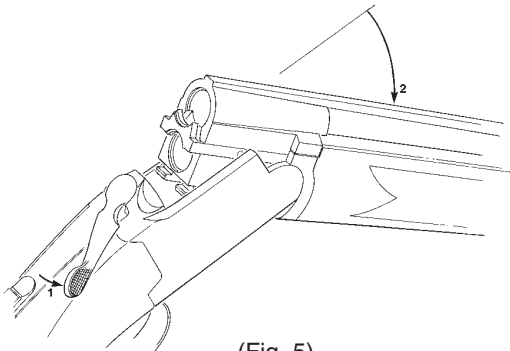
(Fig. 3)

To install the forearm to the barreled action, mate the rounded surfaces of the forearm plate to the receiver and swing the forearm up firmly against the underside of the barrel (Fig. 4). Keeping hands away from the forearm latch, apply pressure to the underside of the forearm until the latch snaps into its "locked" position.



(Fig. 4)

The firearm is now fully assembled. With the firearm pointed in a safe direction, open the firearm by moving the top lever fully to the right, and assist the barrel swing with your off hand by pulling down on the forearm (Fig. 5).



(Fig. 5)

Inspect the bore and chamber for excess oil, grease or other obstructions. (The chamber is the rear portion of the barrels where the cartridges will be inserted.) You can now close the firearm to check for binding. You may want to repeat opening and closing the firearm several times to become familiar with its function, and to ensure that it is properly assembled.

LOADING



Do not load firearm until ready for use! The safety button should always be fully rearward in the “ON” (SAFE) position whether or not the firearm is loaded.

With the firearm pointed in a safe direction, move the safety button fully rearward to the “ON” (SAFE) position. Open the firearm as previously described, inspect the bores and chambers for any foreign matter.



Check the gauge stamped on the barrel you are loading, and load cartridges of that gauge only when you are ready to fire.



Inspect the ammunition before loading; check the primer and be sure it is flush or below the cartridge base. A cartridge discharged by closing the breech can result in possible serious injury to the shooter and/or other persons. Insert a cartridge(s) of the correct gauge **only** when you are ready to fire.

Making sure the muzzle is pointed in a safe direction, close the action. **The firearm is now loaded and cocked.** You should verify that the safety button is fully rearward in the “ON” (SAFE) position (Fig. 1).



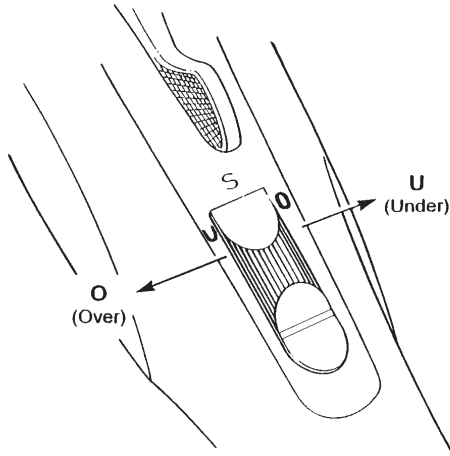
The safety button should be kept fully rearward in the “ON” (SAFE) position until you are on target and have actually decided to fire. Keep the muzzle pointed in a safe direction at all times and your fingers and any other objects outside the trigger guard and away from the trigger area.



If the firearm with a cartridge in the chamber (Fig. 10) does not close readily, **do not force it.** Check the gauge and length of the ammunition against the barrel markings to be sure they are identical. Next, check the chambers and bores to be sure they are free from obstructions, dirt, and debris. Obstructions of any kind can cause damage to the firearm and may result in serious personal injury to the shooter and/or others nearby.

FIRING

The barrel selector is integral to the safety button. The selector allows you to choose the barrel that will fire first. To select the barrel that you will fire first, move the safety button fully to the rear "ON" (SAFE) position and fully to the left to fire the top barrel (selector exposes the "O") or fully to the right to fire the lower barrel (selector exposes the "U") (Fig. 6).



(Fig. 6)

Barrel Selectors – The "O" (over) and the "U" (under) located next to the selector switch are for training purposes only. The selector must be moved fully to either the left or right and must never be set in between these settings as damage to the safety mechanism and/or selector switch can result.

While pointing the firearm at your intended target, push the safety button fully forward to the "OFF" (FIRE) position. Place your index finger on the trigger and squeeze the trigger fully rearward. This will discharge the cartridge. If both chambers were loaded, pulling the trigger a second time will fire the other barrel.



Discharging firearms in poorly ventilated areas, cleaning firearms, or handling ammunition may result in exposure to lead and/or substances known to cause birth defects, reproductive harm and/or other serious physical injury. Have adequate ventilation at all times. Wash hands thoroughly after exposure.



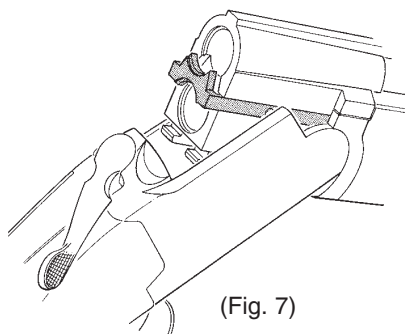
Should the round fail to fire, keep the firearm pointed in a safe direction. Move the safety button fully rearward to the "ON" (SAFE) position. Wait a few moments and then remove the misfired round and keep it separate from other ammunition. Do not attempt to re-fire a misfired round.



If at any time during firing, the sound of any round is noticeably louder or softer than the previous rounds fired, STOP! Do not load or fire additional rounds until you have moved the safety button fully rearward to the “ON” (SAFE) position. Safely unload your firearm and inspect it for possible damage or an obstruction in the chamber or bore. (The bore is the inside surface of the barrel.) Firing a firearm with a bore obstruction can cause damage to the firearm and may result in serious personal injury to the shooter and/or others nearby.

UNLOADING

Move the safety button fully rearward to the “ON” (SAFE) position (Fig. 1). Open the firearm. The extractor will position live or spent cartridges for removal by hand.



Visually and physically check both chambers to be certain the firearm is unloaded.

CLEANING AND LUBRICATION

With proper care and handling, your Mossberg International™ firearm will provide you with years of dependable service. Your firearm should be inspected and cleaned periodically to insure that it remains in good condition. Clean your firearm as soon as possible after each use. This is especially important if your firearm has been exposed to moisture.

Use the instructions and equipment provided with a quality gun cleaning kit.

All metal parts should be cleaned with an appropriate gun cleaning solvent and lightly lubricated with gun oil. Over lubrication should be avoided. Use only lubricants specifically designed for firearms. Avoid the use of abrasives, which may damage the metal finish.

Scrub the bores and chambers with solvent and follow with cleaning patches until the barrels are clean. A final pass with a lightly oiled patch will provide a protective coating. Clean and remove any deposits in the barrels.



Be sure not to leave cleaning patches or excessive oil or grease in the bores as they can create dangerous obstructions. Obstructions of any kind can cause damage to the firearm and may result in serious personal injury to the shooter and/or others nearby.

Normal use requires only that the mechanisms be free of excessive shooting residue. Very little lubrication other than a light oiling of internal and external surfaces is needed to prevent rust.

If the firearm is to be stored for a long period of time it should be thoroughly cleaned and oiled. Do not plug the barrel or store the firearm in a fabric-lined case that will absorb lubricant from the firearm.

The barrel and forearm assemblies can be removed from the stock/receiver assembly and the stock can be removed from the receiver assembly, but further disassembly should be performed by the manufacturer, Mossberg International and/or a qualified gunsmith only.

Camo guns: Caution should be exercised to avoid exposure of camouflage pattern to strong solvents.

FUNCTION TESTING



After performing any work on your firearm such as cleaning or disassembly and assembly, check your firearm for proper functioning before loading or firing live ammunition.



Visually and physically check to be sure the firearm is completely unloaded, and keep the firearm pointed in a safe direction at all times.

Move the button fully rearward to the “ON” (SAFE) position (Fig. 1).

Open and close the firearm several times to check for free movement of the barrel assembly. Close the firearm and leave the safety button fully rearward in the “ON” (SAFE) position. Pull the trigger fully rearward. The hammer should not fall (NO FIRE).

Remove your finger from the trigger. Move the safety button fully forward to the “OFF” (FIRE) position. The hammer should not fall (NO FIRE).

Leave the safety button fully forward in the “OFF” (FIRE) position. Pull the trigger fully rearward. The hammer should fall (FIRE). Release the trigger and pull the trigger fully rearward again. The second hammer should fall (FIRE).



IF YOUR FIREARM DOES NOT PERFORM AS DESCRIBED IN ANY OF THE PREVIOUS STEPS, CONTACT THE FACTORY AUTHORIZED PRODUCT SERVICE CENTER IMMEDIATELY. DO NOT ATTEMPT TO USE THE FIREARM.



Firearms are complex mechanisms. Any modification, alteration, or improper fitting of parts may result in a dangerous malfunction, damage to the firearm and injury to the shooter and/or other persons. The firearm's owner is responsible for the correct re-assembly and functioning of the firearm after any disassembly or replacement of parts.



If you do not understand any of the information in this manual or have any questions, contact the Product Service Center or a qualified gunsmith.

CHOKE TUBES



BEFORE REMOVING OR INSTALLING ANY CHOKE TUBE:

Move the safety button fully rearward to the “ON” (SAFE) position (Fig. 1) and keep the muzzle pointed in a safe direction.

Open the firearm, visually and physically check both chambers to be certain the firearm is unloaded (Fig. 7).



Do not use bent or deformed choke tubes as these may result in tube or barrel damage upon firing which may cause serious personal injury. Inspect choke tubes periodically to insure they are properly installed and in good condition. Pay special attention to the threaded end of the choke tube to be certain it is not deformed or dented.



Never fire this shotgun without a choke tube properly installed. Failure to do so will damage the precision threads on the inside of the barrel. Firing this shotgun with loose choke tubes may lead to damage to the choke tube and barrel, as well as serious personal injury.

CARE & CLEANING: The precision threads on your choke tube should be kept clean and lightly oiled at all times.

During cleaning of the barrel, be certain the choke tube is properly installed. This will avoid residue build-up on the threads.

Mossberg International choke tubes shipped with the firearm are designed for use with Lead, Steel, and other non-toxic shot. Each tube is marked with the type of pattern it will produce.

TO REMOVE CHOKE TUBE: Loosen with choke wrench provided, turning it counterclockwise. When the choke tube is loosened, remove it completely with your fingers. Place choke tube on a clean, dry surface.

TO INSTALL CHOKE TUBE: Screw the tube clockwise into barrel by hand and then tighten the tube until snug with the choke wrench. These tubes fit completely inside the barrel when properly installed. Do not use excessive force when installing.



Tube tightness should be checked periodically.

MOSSBERG INTERNATIONAL™ CHOKE TUBES

ITEM #	NOTCHES	CHOKE*
5a	I	Full
5b	II	Improved Modified
5c	III	Modified
5d	IIII	Improved Cylinder

* Lead, steel, and other non-toxic shot patterns will vary substantially depending on shell length, shot size, brand of ammunition, and the individual barrel. The shooter is urged to conduct pattern tests before field use.

SERVICE INSTRUCTIONS

Should your firearm, or any component of your firearm require service, kindly ship your entire firearm (please do not send components only), via your chosen carrier, postage paid (we do not accept C.O.D. shipments), following these instructions:



- **Make absolutely certain your firearm is unloaded.**
- **Do not send ammunition with your firearm.**
- Remove all accessories from your firearm such as scopes, slings, mounts, etc.
- Ship your firearm in a suitable container, packaging it securely to prevent parts from shifting and/or harm during shipping.
- Include a note with a clear description of the service you wish us to perform, your complete return shipping address (no P.O. boxes please), your daytime telephone number and your e-mail address (if available). It is advisable to place your correspondence inside your shipping container when shipping.

SHIPPING ADDRESS

Maverick Arms, Inc.
1001 Industrial Boulevard
Eagle Pass, TX 78853
Attn: Product Service Center

If you have any questions, please call the Product Service Center at (800) 363-3555.

TO ORDER PARTS FROM THE FACTORY SERVICE CENTER

To order parts, you can fax, phone, mail, or e-mail your order to us at one of the below numbers/addresses.

Fax Number: (830) 773-5893

Phone Number: (800) 363-3555

E-mail Address: service@mossberg.com

Mailing Address: Maverick Arms, Inc.
Attn: Product Service Center – Order Department
1001 Industrial Boulevard
Eagle Pass, TX 78853

Please provide your name, address, city, state, zip, your daytime phone number and e-mail address. We will need the Model #, Serial #, Gauge/Caliber, Finish, Part # and Part Name. We have a \$7.50 (U.S.) minimum parts order charge. We accept most major credit cards, money orders, and bank drafts.

Service outside of the U.S.A.

For Mossberg International firearm parts and service requirements outside of the United States, customers are requested to contact the closest Mossberg International stocking dealer/distributor.

MOSSBERG INTERNATIONAL WARRANTY

MODEL OVER/UNDER SHOTGUN

ONE (1) YEAR LIMITED WARRANTY

Limited Warranty: Mossberg International, Inc. ("Mossberg") warrants to you, the original retail purchaser of a new Mossberg International™ firearm (the "Mossberg firearm"), that the Mossberg firearm will be free of defects in material or manufacture for a period of one (1) year from the date of your purchase of the new Mossberg firearm (the "Warranty Period") in the United States or Canada. This is the only express warranty on the Mossberg firearm. MOSSBERG MAKES NO OTHER WARRANTIES OF ANY KIND OR CONDITIONS, INCLUDING, BUT NOT LIMITED TO ANY IMPLIED WARRANTY OF MERCHANTABILITY OR FITNESS FOR A PARTICULAR PURPOSE. This Limited Warranty gives you specific legal rights, and you may have other rights that vary from State to State.

Purchaser's Remedy: During the Warranty Period, Mossberg will, at its sole option, (1) repair the Mossberg firearm or any part thereof that, upon examination and testing by Mossberg, does not conform to the Limited Warranty without charge to you for parts or labor, or (2) replace the Mossberg firearm with a new or similar model. THIS REMEDY SHALL BE YOUR EXCLUSIVE AND SOLE REMEDY FOR ANY BREACH OF WARRANTY. MOSSBERG SHALL NOT BE RESPONSIBLE FOR ANY OTHER EXPENSES, LOSSES OR INCONVENIENCE THAT YOU MAY SUSTAIN AS A RESULT OF THE PURCHASE, USE, MALFUNCTION OR DEFECTIVE CONDITION OF THE MOSSBERG FIREARM. Mossberg reserves the right to inspect, examine and/or test the Mossberg firearm to assess any claim made under the Limited Warranty.

EXCLUSIONS: THIS WARRANTY DOES NOT COVER THE COSMETIC APPEARANCE OF THE MOSSBERG FIREARM OR ANY DAMAGE CAUSED BY:

- (1) NORMAL WEAR AND TEAR;
- (2) FAILURE TO PERFORM PROPER CARE AND MAINTENANCE;
- (3) ACCIDENTS, ABUSE OR NEGLIGENCE;
- (4) BARREL OR BORE OBSTRUCTIONS;
- (5) FAILURE TO FOLLOW THE INSTRUCTIONS AND WARNINGS THAT ACCOMPANY THE MOSSBERG FIREARM; OR
- (6) THE USE OF DEFECTIVE, NON-SAAMI STANDARD, REMANUFACTURED, HAND-LOADED, AND/OR RELOADED AMMUNITION.

IN ADDITION, ANY UNAUTHORIZED REPAIRS, ALTERATIONS OR MODIFICATIONS TO THE MOSSBERG FIREARM WILL AUTOMATICALLY VOID THE LIMITED WARRANTY.

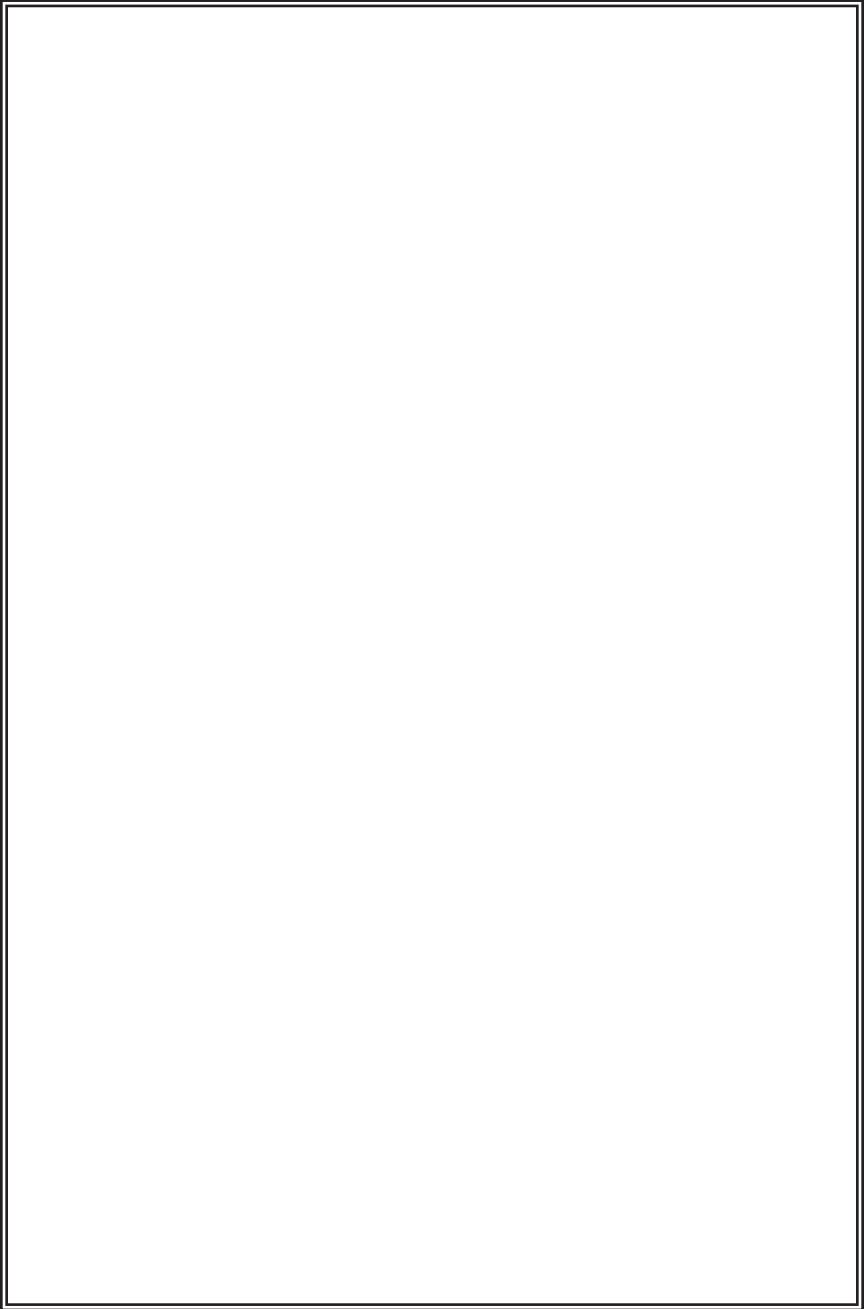
LIMITATION OF DAMAGES: EXCEPT WHERE PROHIBITED BY LAW, MOSSBERG WILL NOT BE LIABLE FOR ANY LOSS OR DAMAGE WHATSOEVER ARISING FROM THE USE OF THIS MOSSBERG FIREARM, WHETHER DIRECT, INDIRECT, SPECIAL, INCIDENTAL, CONSEQUENTIAL OR PUNITIVE, REGARDLESS OF THE LEGAL THEORY ASSERTED, INCLUDING CONTRACT, WARRANTY, NEGLIGENCE, OR STRICT LIABILITY. SOME JURISDICTIONS DO NOT ALLOW LIMITATIONS ON HOW LONG AN IMPLIED WARRANTY LASTS, OR THE EXCLUSION OF INCIDENTAL OR CONSEQUENTIAL DAMAGES, SO THE ABOVE LIMITATIONS MAY NOT APPLY TO YOU.

Warranty Service: To obtain service under this Limited Warranty, you must follow the instructions found in the "Service Instructions" section of the Owner's Manual and return the Mossberg firearm to the authorized Product Service Center. You are responsible for all shipping costs to the Product Service Center. Mossberg will not accept COD shipments of any Mossberg firearm for service. After repair or replacement, the Mossberg firearm or a similar model will be returned to you, return postage paid by Mossberg. If we replace the Mossberg firearm, we will keep the firearm that you returned to Mossberg.

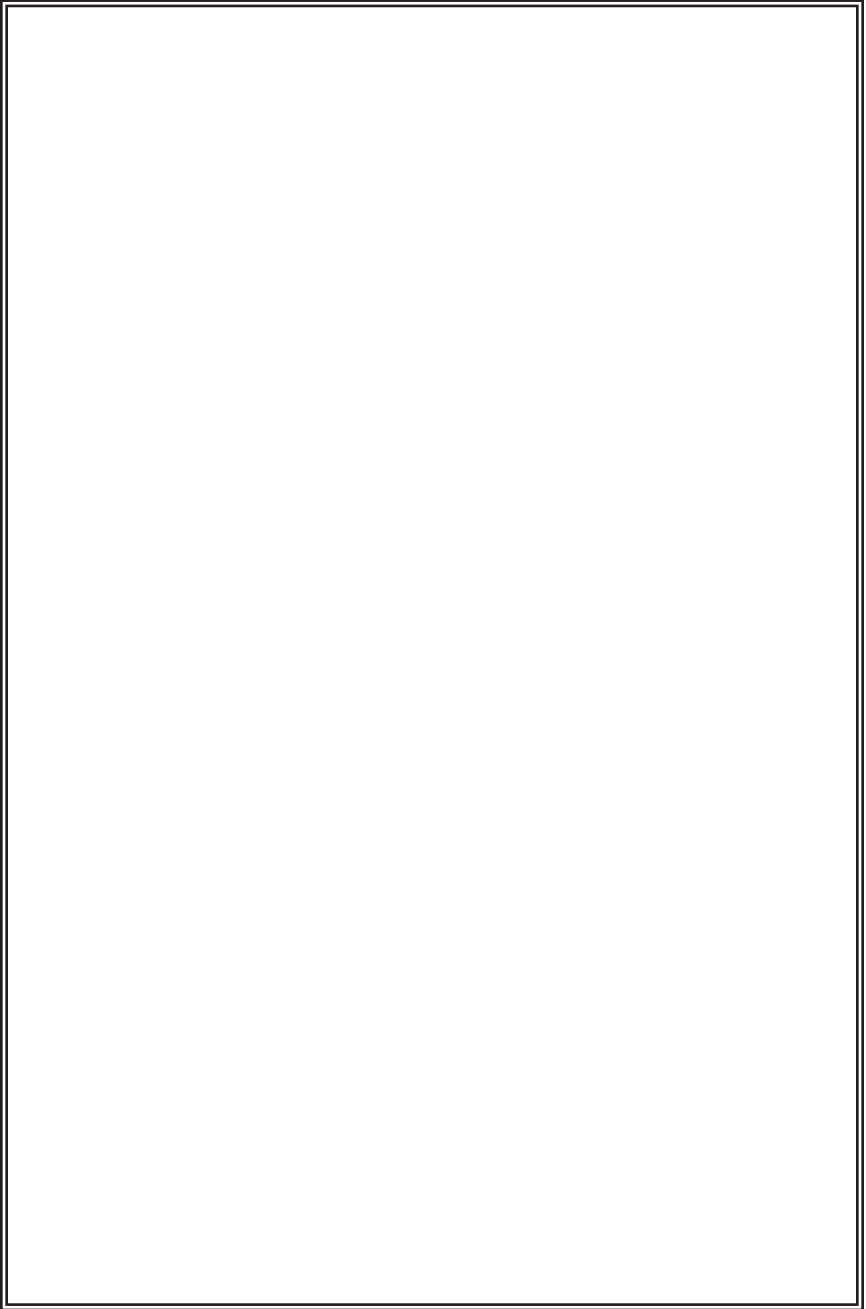
Modification of Warranty: No agent, representative, distributor, or authorized dealer of Mossberg firearms has any authority to modify the terms or conditions of the Limited Warranty in any way. The Limited Warranty may only be modified in writing by an authorized officer of Mossberg.

THIS LIMITED WARRANTY IS EFFECTIVE JANUARY 1, 2004.

NOTES

A large, empty rectangular box with a double-line border, occupying most of the page. It is intended for the user to write their notes.

NOTES

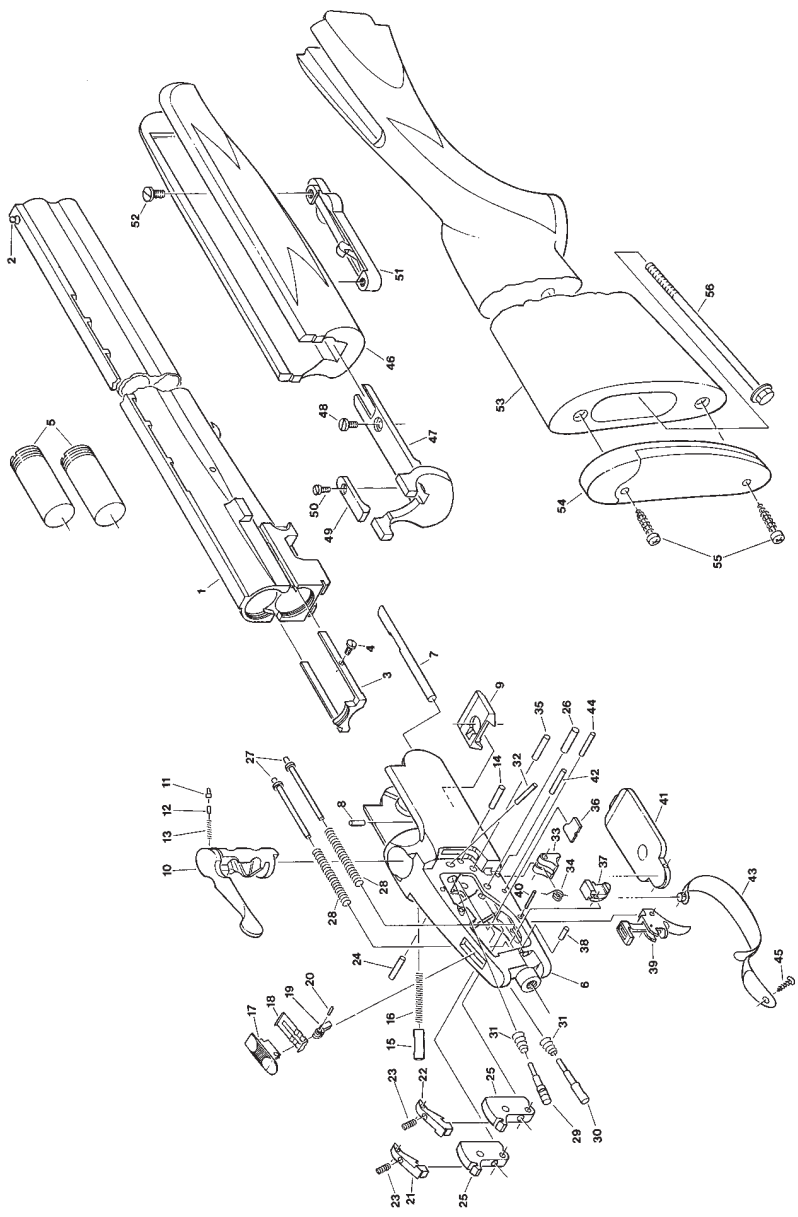
A large, empty rectangular box with a double-line border, occupying most of the page. It is intended for the user to write notes.

NOTES

A large, empty rectangular box with a double-line border, occupying most of the page. It is intended for the user to write their notes.

PARTS LIST

ITEM	DESCRIPTION	ITEM	DESCRIPTION
1	BARREL ASSEMBLY	29	FIRING PIN
2	FRONT SIGHT	30	FIRING PIN
3	EXTRACTOR	31	FIRING PIN SPRING
4	EXTRACTOR SCREW	32	PIN
5	CHOKE TUBES	33	COCKING LEVER
6	RECEIVER	34	COCKING LEVER SPRING
7	COCKING ROD	35	PIN
8	PIN	36	RETAINING PLATE
9	BLOCKER PLATE	37	FLOATING BLOCK
10	TOP LEVER	38	FLOATING BLOCK PIN
11	TOP LEVER SCREW	39	TRIGGER
12	TOP LEVER PIN	40	TRIGGER PIN
13	TOP LEVER SPRING	41	RECEIVER UNDER COVER
14	PIN	42	PIN
15	TOP LEVER TUBE	43	TRIGGER GUARD
16	TOP LEVER TUBE SPRING	44	PIN
17	SAFETY AND BARREL SELECTOR	45	TRIGGER GUARD RETAINING PIN
18	SELECTOR PLATE SPRING	46	FOREARM
19	SELECTOR SPRING	47	FOREARM PLATE
20	SELECTOR PIN	48	FOREARM SCREW
21	LEFT INNER TRIGGER	49	FOREARM BOLT
22	RIGHT INNER TRIGGER	50	FOREARM BOLT SCREW
23	HAMMER SPRING	51	LATCH FRAME
24	PIN	52	FOREARM LATCH SCREW
25	HAMMER	53	STOCK
26	PIN	54	RECOIL PAD
27	HAMMER SPRING PIN	55	RECOIL PAD SCREW
28	HAMMER SPRING	56	STOCK BOLT



FIREARMS SAFETY DEPENDS ON YOU. MAKE NO MISTAKE ABOUT IT!

From the time an individual picks up a firearm, that individual shooter becomes a part of a system over which he has complete control. He is the only part of the system that can make a gun safe – or unsafe. Hunting and target shooting are among the safest of all sports. This booklet is intended to make them even safer – by re-emphasizing and reaffirming the basics of safe gun handling and storage and by reminding each individual shooter that he or she is the key to firearms safety. You can help meet this responsibility by enrolling in hunter safety or shooting safety courses. You must constantly stress safety when handling firearms, especially to children and non-shooters. Newcomers in particular must be closely supervised when handling firearms with which they may not be acquainted. Don't be timid when it comes to gun safety. If you observe anyone violating any safety precautions, you have an obligation to suggest safer handling practices, such as those in this booklet. Please read these rules carefully and follow the safety procedures outlined. Firearms safety is up to you. Make no mistake about it.

- 1. ALWAYS KEEP THE MUZZLE POINTED IN A SAFE DIRECTION.**
- 2. FIREARMS SHOULD BE UNLOADED WHEN NOT ACTUALLY IN USE.**
- 3. DON'T RELY ON YOUR GUN'S "SAFETY".**
- 4. BE SURE OF YOUR TARGET AND WHAT'S BEYOND IT.**
- 5. USE CORRECT AMMUNITION.**
- 6. IF YOUR GUN FAILS TO FIRE WHEN THE TRIGGER IS PULLED, HANDLE WITH CARE.**
- 7. ALWAYS WEAR EYE AND EAR PROTECTION WHEN SHOOTING.**
- 8. BE SURE THE BARREL IS CLEAR OF OBSTRUCTIONS BEFORE SHOOTING.**
- 9. DO NOT ALTER OR MODIFY YOUR GUN, AND HAVE GUNS SERVICED REGULARLY.**
- 10. LEARN THE MECHANICAL AND HANDLING CHARACTERISTICS OF THE FIREARM YOU ARE USING.**

*Courtesy of
Sporting Arms and Ammunition Manufacturers' Institute, Inc.*