



Smith & Wesson®

Owner's Manual

SW99 SW99NJ



Read the instructions and
warnings in this manual
CAREFULLY BEFORE using
this firearm.

2100 Roosevelt Avenue • Springfield, MA 01104
1-800-331-0852 • Fax: 413-747-3317
www.smith-wesson.com

**SMITH & WESSON PISTOL
SAFETY, INSTRUCTION, AND
PARTS MANUAL**

**READ THESE INSTRUCTIONS
AND WARNINGS CAREFULLY. BE
SURE YOU UNDERSTAND THESE
INSTRUCTIONS AND WARNINGS
BEFORE USING THIS FIREARM.**

**This SAFETY, INSTRUCTION
and PARTS MANUAL should
always accompany this firearm
and be transferred with it upon
change of ownership or presented
to another person. A copy of the
SAFETY, INSTRUCTION, & PARTS
MANUAL is available FREE upon
request from:**

**SMITH & WESSON
CUSTOMER SUPPORT CENTER
2100 ROOSEVELT AVENUE
SPRINGFIELD, MA 01104
TEL.: 1-800-331-0852
Email: qa@smith-wesson.com**

INDEX

SAFETY	.4
BASIC FIREARMS SAFETY RULES	.5-6
MODEL NUMBER IDENTIFICATION	.7
SAFE STORAGE AND TRANSPORTATION	.8-9
NOMENCLATURE	.9-10
PREPARATION FOR FIRING	.10-11
AMMUNITION	.11-12
INSPECTING YOUR PISTOL	.13
REPLACING BACKSTRAPS	.14
LOADING	.14-15
FIRING	.16
LOADED CHAMBER INDICATOR	.16
COCKING INDICATOR	.17
TRIGGER - SW99NJ	.17
AFTER FIRING - SW99NJ	.18
TRIGGER - SW99	.18
DECOCKING THE STRIKER - SW99	.19
CLEARING MISFIRES	.19
PRODUCT WARNING	.19
UNLOADING	.20
SIGHT ADJUSTMENT	.20
FIELD STRIPPING DISASSEMBLY - SW99NJ	.21
FIELD STRIPPING DISASSEMBLY - SW99	.22
FIELD STRIPPING REASSEMBLY	.22-23
REASSEMBLY	.23
MAGAZINE DISASSEMBLY	.23
MAGAZINE REASSEMBLY	.24
CLEANING & MAINTENANCE	.24
SERVICE/SHIPPING/PARTS	.25-26
WARRANTY	.27
EXTENDED SERVICE POLICY	.28
COMPONENT PARTS	.29-30
WARNINGS	.31

SAFETY

SAFETY IS YOUR NUMBER ONE RESPONSIBILITY!!!!

- **Safe gun handling is YOUR personal responsibility at all times.** Firearms are dangerous and can cause serious injury and death if they are misused or used inappropriately. Safety must be the prime consideration of anyone who owns or handles firearms.
- **You are responsible for the firearm at all times.** In owning a firearm, you must undertake full-time responsibility for your firearm's safety and security. You must protect yourself and all others against injury or death from misuse of the firearm.
- **Safe storage is your responsibility.** In particular, you must secure firearms safely from children and unauthorized users. A lock has been provided for your use with this firearm.
- **Accidents are the result of violating the rules of safe gun handling and common sense.**
- **For your safety and the safety of others, never rely on mechanical features alone.** Only your safe gun-handling habits will ensure the safe use of your firearm. This is your responsibility.
- **Never keep ammunition in the same location as the handgun.** Store in a separate and secure place.
- **READ and UNDERSTAND these instructions before using your firearm.**



WARNING
**YOU MUST FOLLOW ALL OF THESE SAFETY
RULES TO ENSURE THE SAFE USE OF YOUR
FIREARM**

BASIC FIREARM SAFETY RULES

At home, in the field, at the range, or anywhere, the first concern of every firearm owner should be safety. Apply the following safety rules in every situation, with any kind of firearm.



WARNING!

THE FAILURE TO FOLLOW THESE BASIC FIREARM SAFETY RULES MAY RESULT IN AN UNINTENDED DISCHARGE WHICH COULD CAUSE SERIOUS PERSONAL INJURY OR DEATH.

- **BEFORE HANDLING ANY FIREARM, UNDERSTAND ITS OPERATION.** Not all firearms are the same. Familiarize yourself with the mechanical features of any firearm you intend to use. If you feel uncertain about any operational aspects of your handgun, please contact Smith & Wesson at 1-800-331-0852 before proceeding with its operation.
- **ALWAYS SAFELY STORE AND SECURE YOUR FIREARM.** Safe and secure storage of your firearm is one of the most important responsibilities of firearms ownership. It is a full-time responsibility. You must always secure your firearm and ammunition separately so that they are not accessible to children or other unauthorized persons. (See Safe Storage Instructions on pages 8-9.)
- **ALWAYS TREAT EVERY FIREARM AS IF IT WERE LOADED AND READY TO FIRE IF THE TRIGGER IS PULLED.** Do not take anyone's word that the firearm is unloaded – always check for yourself. Never pass your firearm to another person until the cylinder or action is open and you visually check that it is unloaded. Keep your firearm unloaded when not in use.
- **ALWAYS KEEP YOUR FIREARM POINTED IN A SAFE DIRECTION.** Never point a firearm at anyone or anything you do not intend to shoot whether or not it is loaded. This is particularly important when loading, unloading, or field stripping the gun. ALWAYS control the direction of the firearm.
- **NEVER PLACE YOUR FINGER INSIDE THE TRIGGER GUARD UNLESS YOU INTEND TO FIRE.** Your firearm cannot fire unless the trigger is pulled. Ensure that other objects do not actuate the trigger.
- **ALWAYS BE SURE OF YOUR TARGET AND WHAT IS BEYOND IT.** Always be sure of where the bullet will strike and shoot only where there is a safe backstop free of obstructions, water or other surfaces which can cause ricochets. Do not fire into the sky.

BASIC FIREARM SAFETY RULES CONT'D.

ADDITIONAL IMPORTANT SAFETY RULES

- Never carry or store a firearm with the hammer or striker in the cocked position.
- Do not allow a firearm to be used by individuals who have not read these basic firearms safety rules and do not understand its safe operation and the rules of safe gun-handling.
- Be sure all accessories, such as holsters and grips, are compatible with the firearm and that the accessories do not interfere with safe operation.
- Use the correct ammunition for your particular firearm as indicated by the marking on the barrel. Reloaded ammunition is not safe to use.
- Discharging firearms in poorly ventilated areas, cleaning firearms, or handling ammunition may result in exposure to lead and other substances known to cause birth defects, reproductive harm, and other serious physical injury. Review the warnings and labels for all ammunition and cleaning products carefully. Have adequate ventilation at all times. Wash hands thoroughly after exposure.
- Never use alcohol or drugs before or while shooting. Do not use your firearm if you are on any medication which impairs, even slightly, your mental or physical ability.
- Wear eye and hearing protection appropriate for firearm use every time you discharge your firearm. Make sure others in the vicinity of where you will be shooting do so as well.
- Do not allow any alteration or replacement of parts in your Smith & Wesson firearm unless performed by a qualified gunsmith using genuine Smith & Wesson parts. If you do otherwise, improper functioning of your firearm may occur and serious injury may result.
- Never cross obstacles such as fences or streams with a loaded firearm.
- Firearm safety training is available. Contact your dealer for availability.
- Appropriate use for your firearm means using your firearm for legal purposes. For example - target shooting and lawful resistance of deadly criminal force.
- These are basic firearms safety rules. There are other common sense safety rules that should be followed at all times under the circumstances then presented.
SAFE USE OF A FIREARM IS YOUR PERSONAL RESPONSIBILITY AND THE FAILURE TO FOLLOW ALL OF THESE BASIC SAFETY RULES MAY RESULT IN SEVERE PERSONAL INJURY OR DEATH.

MODEL NUMBER IDENTIFICATION

The serial number and the model number appear here on your pistol.

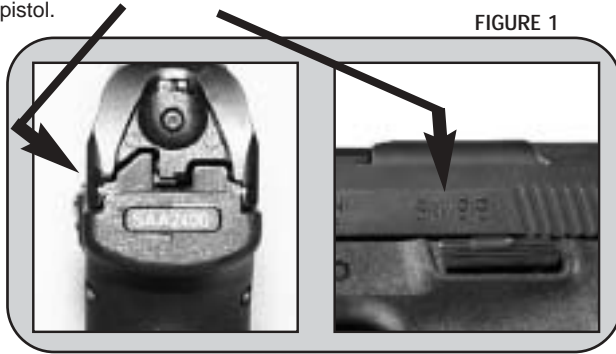
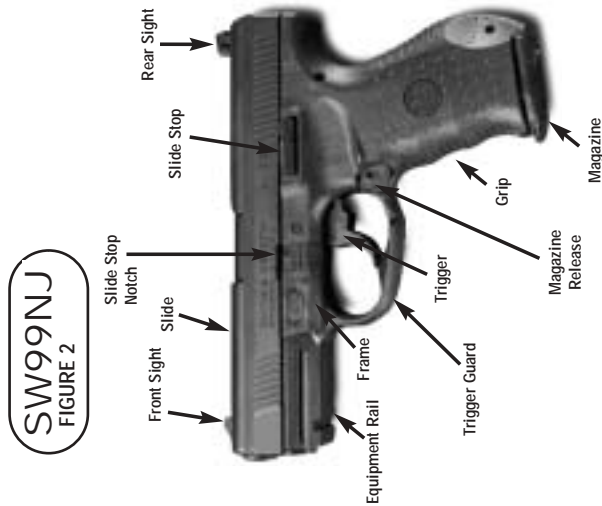
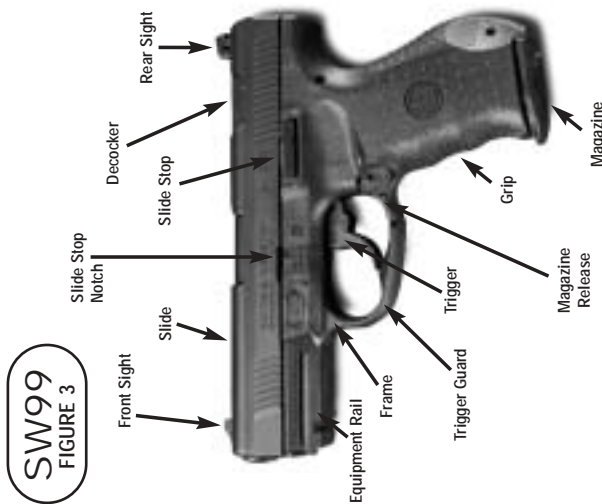


FIGURE 1



SW99NJ
FIGURE 2



SW99
FIGURE 3

SAFE STORAGE & TRANSPORTATION



WARNING

SAFE AND SECURE STORAGE OF YOUR FIREARM IS ONE OF THE MOST IMPORTANT RULES OF FIREARM SAFETY. YOUR FAILURE TO FOLLOW THESE RULES MAY RESULT IN SERIOUS INJURY OR DEATH.

- **You must always secure your firearm and ammunition separately so that they are not accessible to children or other unauthorized persons.**
- **Safe and secure storage and transportation of your firearm are your responsibility. It is a full-time responsibility.**
- **ALWAYS STORE YOUR FIREARM UNLOADED.** Your firearm and ammunition should be stored separately in places and in a manner inaccessible to children and unauthorized persons.
- **SMITH & WESSON HAS PROVIDED A LOCK FOR USE WITH YOUR FIREARM.** There are also a variety of other locks and safe storage containers available in the marketplace which may be appropriate for your particular needs. Consult your local gunshop, hardware store, or local police department for guidance on the variety of other safe storage devices or practices which may be appropriate for your particular needs. By purchasing this firearm you have taken on the responsibility of safely securing the firearm at all times and preventing its unauthorized use. It is your personal responsibility to select and use whatever devices or practices that will enable you to safely secure your firearm at all times. Do not use a lock on a loaded handgun.
Only you can determine what devices or practices are appropriate for the safe storage of your firearm and your ammunition.
- **NEVER ASSUME THAT A "HIDING" PLACE IS A SECURE STORAGE METHOD.** Others may be aware of your storage location or come upon it by chance. It is your personal responsibility to use common sense when storing and securing your firearm and ammunition and to always make sure that it is not accessible to children or other unauthorized persons.
- **FOLLOW THE LAW!!** You must be familiar with all local, state, and federal laws regarding the safe storage and transportation of your firearm. Failure to know and follow the law may result in unauthorized access or use of your firearm by another. Obey all laws relating to the storage and transportation of firearms.
- **NEVER TRANSPORT A LOADED FIREARM.** When transporting your firearm, be sure it is unloaded and that the cylinder or action is open.

SAFE STORAGE & TRANSPORTATION CONT'D.

- Your local police department or gunshop will furnish you with available information on storing and/or transporting a firearm legally.
- **YOUR FIREARM IS YOUR RESPONSIBILITY.**
Protect your firearm from theft or misuse by untrained or unqualified individuals.

MAINTENANCE BEFORE STORAGE

When storing, do not encase your firearm in anything that will attract or hold moisture, for example, leather or heavy cloth. Also, do not store guns with a plug inserted in the barrel for this is a contributing factor to moisture accumulation. If your firearm is to be stored for an extended period, the bore, chambers and internal working mechanism should be oiled with acid-free lubricating oil or preservative, and the external working mechanisms, frame, cylinder and barrel should be coated with an anti-rust oil. Before using your firearm again, be sure to clean it. Every time you clean your firearm, check it for signs of wear. If wear is noted, do not use the firearm. Return it to Smith & Wesson for service or have it checked by a qualified gunsmith.

MAINTENANCE BEFORE USE

Before using your firearm, it should be cleaned. (See Cleaning Instructions at page 24.) Your firearm has been treated with either a preservative or oil to protect it against corrosion. Before using it, all excess oil should be wiped from the bore, chamber(s), and exposed areas using a clean swab or patch. A light coat of high quality gun oil should be applied to the outside surfaces and mechanism. Care should be taken not to oil the mechanism to the degree that dust and lint may be trapped by the oil.

NOMENCLATURE

Smith & Wesson handguns are simple and safe to use when the basic firearm safety rules are followed. There are a number of internal safety mechanisms within the lockwork of the handgun which ensure that the firearm will not discharge unless the trigger of the handgun is pulled. That is one reason why it is important to never modify or alter your firearm. Before you use your handgun, you should be fully familiar with its operation. Here is a description of its basic functions and see pages 29 & 30 for a drawing of its component parts:

AMMUNITION-CENTERFIRE - Ammunition which contains the primer in the center of the base of the case. Among the most common centerfire handgun cartridges are the .32, .38 Special, .380, 9mm, .357 Magnum®, .40 S&W®, .45 ACP and the .44 Magnum®.

CALIBER - The diameter of a bullet, designated in hundredths or thousandths of an inch (.357) or in millimeters (9mm).

DECOCK - The process by which the hammer or striker is safely lowered.

NOMENCLATURE CONT'D.

DOUBLE ACTION - A firing action where the hammer or striker is drawn back, released, and the gun fired by a single pull of the trigger.

DOUBLE ACTION ONLY - A firearm designed so that it can only be fired in double action.

PISTOL - A handgun that contains the cartridges in a magazine.

REVOLVER - A handgun that contains the cartridges in a cylinder that revolves at the rear of the barrel.

SINGLE ACTION - Pulling the trigger to fire the handgun by releasing the hammer from the cocked position.

The operation of your handgun will be explained in greater detail in the pages that follow, as well as a greater description of key component parts.

PREPARATION FOR FIRING



ALWAYS WEAR EYE AND EAR PROTECTION WHICH IS SPECIFIED FOR FIREARM USE.

- Failure to wear adequate and proper ear protection on even one occasion can potentially permanently damage your hearing. Make sure others who are nearby are wearing ear protection as well.
- Always wear safety glasses, whether indoors or out. Safety glasses protect your eyes from the firing flash and particles associated with the discharge of ammunition.
- **DO NOT SHOOT AT HARD SURFACES, WATER OR UP INTO THE SKY.** Always select a place to shoot that has a safe backstop, is free from obstructions and water surfaces which cause ricochets.
- **Always be** aware of other people so that persons cannot accidentally walk into the line of fire.
- Position the shooter and all others so that they are not within an area where they may be struck by particle-spitting from a revolver or by ejected cases from other types of firearms.
- Keep fingers and other parts of your body away from the muzzle and away from the gap between the revolver barrel and cylinder, and away from the pistol slide and ejection port.
- Be alert and always follow the safety instruction of the range officer.

PREPARATION FOR FIRING CONT'D.

- Be sure that all cylinders and actions of firearms are open, that chambers are clear of cartridges, magazines are removed, and that firearms are pointing in a safe direction before anyone is allowed in front of the firing position.
- Be alert at all times. Never shoot if you are tired, cold or impaired in any way.
- Treat your firearm as if it were loaded at all times.

AMMUNITION

A. GENERAL PRINCIPLES

- A firearm and ammunition are a system and must work together. Their performance is closely related. There are different types of ammunition for different types of firearms. Your firearm has been designed for ammunition of a specific type and a specific caliber. It is important to select the proper ammunition for your firearm.



- **Never use ammunition not specifically designated for use in your firearm. Failure to use the correct type or caliber of ammunition may cause the firearm to jam, fail to fire or even generate excessive pressure which can damage or even rupture your firearm, causing personal injury or property damage.**
- You are responsible for selecting ammunition that meets industry standards and is appropriate in type and caliber for this firearm.
- Locate the caliber designation printed on the handgun. This information indicates the ammunition caliber that should be used in this firearm. (See figure #4)

B. HANDLOADED OR RELOADED AMMUNITION



- **Never use non-standard, reloaded or “handloaded” ammunition which has not been subjected to internal ballistic pressure testing.** Reloaded or handloaded ammunition, may have many manufacturing and quality variables (such as the type and amount of gun powder).
- **Any ammunition that is improperly manufactured, even in the slightest degree, may fail to fire or may generate excessive internal pressures which can damage or even rupture the firearm, causing personal injury to the shooter or those in the immediate vicinity.**



FIGURE 4

AMMUNITION CONT'D.

- Use only commercially manufactured ammunition with internal ballistic pressures which are in strict accordance with the specifications of the Sporting Arms and Ammunition Manufacturers' Institute (SAAMI).
- Be certain all ammunition you use complies with the SAAMI specifications. If you are uncertain, contact your ammunition supplier for verification.

C. MISFIRES

- If your firearm fails to fire when the trigger is pulled (misfires), keep the firearm pointed in a safe direction, remove your finger from the trigger, and wait 10 seconds. Only after you have completed all of the above steps, remove the magazine or open the cylinder and remove the cartridge from the chamber and dispose of it properly. Keep your firearm pointed in a safe direction at all times.
- If you have heard an unusual sound or felt an unusual recoil on firing, stop firing, wait 10 seconds, unload the firearm, and examine the barrel bore for obstructions.
- Make sure your barrel is clear and free of obstructions. If you see an obstruction, return your firearm to Smith & Wesson or take it to a qualified gunsmith. Never fire a firearm with an obstructed barrel.

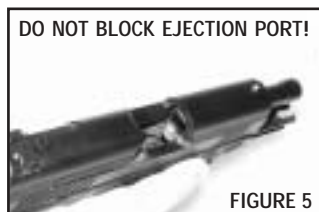
D. AMMUNITION SPECIFICS

- Use only ammunition specifically recommended by Smith & Wesson for your firearm.
- Never mix ammunition.
- Never use a cartridge not specifically designated for use in your firearm. Pressure from the wrong type of ammunition may be beyond the capability of your firearm to withstand and may damage or even rupture your firearm.
- Whenever rimless pistol cartridges are used in the cylinder of a Smith & Wesson revolver, (except M547) full or half-moon clips MUST be used to both position and extract such cartridges. Failure to use ammunition clips with rimless cartridges may result in malfunction of the revolver.
- Additional ammunition calibers can be fired from the following list of select calibers.

<u>Caliber on Barrel</u>	<u>Can also Fire</u>
.44 Magnum	.44 Special
.357 Magnum	.38 Special, .38 Special +P
.45 ACP	.45 Auto Rim (in revolvers only)
.22LR	.22L, .22 Short, .22CB, .22BB
10mm	.40 S&W (in revolvers only)
- In some cases, a round of ammunition not specified on your handgun may fit into the chamber or cylinder. Firing ammunition not specified on your handgun may cause it to rupture and cause serious injury or death.

INSPECTING YOUR PISTOL

When you inspect your pistol, you should first check for yourself to insure that it is unloaded. To do this, grasp the pistol with your finger off the trigger and outside the trigger guard, (Figure 5) point the muzzle in a safe direction. Depress the magazine release, and remove the magazine.



With the muzzle still pointing in a safe direction, grasp the serrated sides of the slide from the rear with the thumb and fingers and briskly draw the slide fully rearward in order to extract any cartridge from the barrel chamber and clear it from the pistol. Do not obstruct the ejection port because doing so can interfere with ejection of a cartridge and thereby creates the risk of exploding an unchambered cartridge and possible injury. In order to lock the slide in the open position, allow the slide to move slightly forward from the rearmost position while pressing upward on the slide stop. You are now able to safely check the barrel chamber and bore visually for any obstructions. You must follow this procedure every time your firearm is inspected, cleaned, handed to another person, transported or stored. Unload the magazine by holding it with the bullet end of the cartridge pointing away from you and others and pressing each cartridge forward and out of the magazine.

REPLACING THE BACKSTRAP

! **WARNING: Make sure the handgun is unloaded before changing the backstrap.**

- If the backstrap currently on your pistol does not fit your hand comfortably, you can install one of a different size and shape. Using a pin punch, gently tap out the roll pin in the lower part of the grip and remove the backstrap.
- When installing the new backstrap, first fit the small tab at the top of the backstrap into the frame, then push the lower end into the slot.
- Carefully put the roll pin back in place and tap it into the grip until it is centered.



LOADING


- Do not load the pistol until you are ready to use it. Keep your finger outside the trigger guard until you are ready to fire.

! **WARNING: Once the magazine is removed from the pistol and the trigger is fully released, subsequent cycling of the trigger will not fire the pistol until the magazine is fully reinserted. (This may not apply to certain pistols that have been marked "CAUTION - CAPABLE OF FIRING WITHOUT MAGAZINE")**

! **WARNING: Some Smith & Wesson centerfire pistols are designed to disengage the trigger linkage, and thereby prevent the trigger from firing the pistol when the magazine is removed from the pistol. Be certain to fully release the trigger and remove your finger from within the trigger guard when the magazine is removed from the pistol. Failure to fully release the trigger could result in firing the handgun. After inserting a magazine, always test to make sure it is locked in place by applying some removal pressure to the exposed portion of the magazine butt plate.**

LOADING CONT'D.

- Only use Smith & Wesson magazines specifically manufactured for your particular model of pistol. Do not interchange magazines from one model pistol into another model pistol.
- Smith & Wesson has provided you with a magazine designed to operate in your specific model of pistol. While your magazine may be able to be inserted into another model pistol, it will only function properly in the specific model for which it was designed.
- Follow instructions in this manual and any other specific instructions which may be marked onto, or accompany, a magazine. Failure to use the particular type of Smith & Wesson magazine specified for your model and caliber of pistol may result in a malfunction.
- Load the magazine by pressing a cartridge head (rear of cartridge) downward on the forward portion of the magazine follower (or downward on the case of the previously loaded cartridge) and sliding the cartridge fully under the lips of the magazine until the cartridge head is against the rear wall of the magazine. Repeat the procedure for the number of cartridges you wish to load, up to the magazine capacity. Do not attempt to load your magazine with more than the specified number of cartridges because doing so can cause a feeding failure.
- Inspect your pistol as previously described in the "Inspecting Your Pistol" section. Hold the pistol in one hand with the muzzle pointing in a safe direction and with your finger off the trigger and outside the trigger guard. Insert the loaded magazine into the magazine well of the pistol until it is locked in place.

 **WARNING: Do not use excessive upward force when inserting a loaded magazine into the pistol. Excessive upward force could cause the slide to move forward, chambering a round and making the pistol ready to fire.**

- To make sure that the magazine is fully and securely inserted, apply some removal pressure to the exposed portion of the magazine butt plate.
- Press down on the slide stop to release the slide and allow it to carry fully forward. This strips a cartridge from the magazine and seats it in the chamber of the barrel.

 **CAUTION**
The pistol can now be fired simply by pulling the trigger to the rear.

FIRING

- Hold the pistol in your shooting hand with your finger outside the trigger guard. After verifying that the target and the area beyond are safe, align the sights on the target. When you are ready to shoot, place the pad of your index finger on the trigger.
- When the trigger is drawn fully to the rear, the striker is released, striking the cartridge primer and firing the cartridge.
- Upon firing, the slide moves rearward thereby extracting and ejecting the spent cartridge case. The slide then returns forward feeding the next cartridge from the magazine into the barrel chamber. During firing operation, the thumb must not interfere with the slide or slide stop. This sequence can be repeated until the last round has been fired at which time the magazine follower exerts upward pressure on the slide stop causing it to engage the slide and to hold it in the open position.



WARNING: The single action trigger pull is lighter and may be shorter than the double action pull. Check the cocking indicator in the rear of the slide to determine if you are in double or single action mode before putting your finger on the trigger.



WARNING: Upon firing the pistol or releasing the slide from the slide stop, the slide moves rearward or forward with significant force and speed. To avoid injury be sure no part of your body is in the path of the slide's travel.

LOADED CHAMBER INDICATOR

- If the chamber is loaded, the rear of the extractor is recessed in the slide. There is a red dot on the right side of the slide which is visible when the chamber is loaded with a cartridge.



WARNING: Cleaning solvents or wear may darken or remove the red color, or powder residue or dirt may cover it up. If you do not see the red dot, don't assume the chamber is empty. Pull the slide back until you can look in the chamber and verify whether it is empty or not.

FIGURE 7



COCKING INDICATOR

- When the striker is cocked, it protrudes out of the slide end cap and displays a red dot.



WARNING: Do not count on seeing the red dot. Cleaning solvents or wear may darken or remove the red color, or powder residue or dirt may cover it up. If you do not see the red dot, don't assume the striker is decocked. Look at the striker or feel it with your finger so you know if the striker is cocked.



FIGURE 8

TRIGGER - SW99NJ

SINGLE ACTION - Trigger Forward

- This operation mode features a cocked striker for a long, reduced weight single action trigger pull. The SW99 will be in this mode after releasing the slide to chamber a round or, moving the slide 3/8" to the rear and releasing. Although the trigger is in the same forward position as the double action mode, the trigger pull is much lighter.

SINGLE ACTION - Trigger Rearward

- After firing, the pistol cycles, ejecting the fired case, chambering a round and cocking the striker. Subsequent rounds are fired in a short stroke single action mode. The pistol should be returned to the trigger forward mode before holstering.

DOUBLE ACTION

- In the SW99NJ pistol, an additional mode is only available in the event that the chambered round failed to fire and may be used to restrike the cartridge in the chamber. It may also be used to dry fire the pistol.



WARNING: The single action trigger pull is lighter and may be shorter than the double action pull. Check the cocking indicator in the rear of the slide to determine if you are in double or single action mode before putting your finger on the trigger.

AFTER FIRING SW99NJ



WARNING: During the procedure of manually cycling the slide, any chambered round will be ejected and should be recovered once the firearm is safely secured.

- To return the trigger to the forward position, change the magazine and cycle the slide to assure that the pistol is ready to fire. This process will return the trigger to the forward mode. If immediate readiness is not a concern, the pistol may be unloaded.

OPTIONAL TECHNIQUE

- Pull the slide rearward 3/8" and then press the slide forward to assure that it is in battery. This process will also return the trigger to the forward mode.



WARNING: Keep your finger off the trigger and out of the trigger guard during this process.

WARNING: Failure to cycle the slide "briskly" on a loaded weapon could cause a jam.

TRIGGER - SW99

The SW99 features one double action and two single action modes for firing.

DOUBLE ACTION

- The Smith & Wesson traditional double action mode begins with the trigger in the forward position. The trigger is pulled through the full length of travel, cocking the striker and firing the pistol in one motion.

SINGLE ACTION - Trigger Forward

- The second operation mode features a cocked striker for a long, reduced weight single action trigger pull. The SW99 will be in this mode after releasing the slide to chamber a round or, when the gun is decocked, moving the slide 3/8" to the rear and releasing. Although the trigger is in the same forward position as the double action mode, the trigger pull is much lighter.



WARNING: The single action trigger pull is lighter and may be shorter than the double action pull. Check the cocking indicator in the rear of the slide to determine if you are in double or single action mode before putting your finger on the trigger.

SINGLE ACTION - Trigger Rearward

- After firing, in either of the above modes, the pistol cycles, ejecting the fired case, chambering a round and cocking the striker. Subsequent rounds are fired in a short stroke single action mode. The pistol should be returned to one of the trigger forward modes before holstering. The SW99 can be decocked from any trigger position.

DECOCKING THE STRIKER - SW99

When the striker is cocked, the trigger is in single action mode. To return the trigger to double action mode, press down on the decocker. This will allow the striker to go forward without firing the cartridge in the chamber.



WARNING: Keep your finger off the trigger and out of the trigger guard during this process.

CLEARING MISFIRES

- If, during firing, a cartridge fails to fire, the chamber must be manually cleared. Wait ten seconds while keeping the muzzle pointed in a safe direction. Grasp the serrated sides of the slide from the rear and briskly pull the slide fully rearward to eject the misfired round. Keep your finger off of the trigger and out of the trigger guard. Do not obstruct the ejection port, and do not attempt to catch the round by placing your hand over the ejection port. (See figure 5) Also, remember that any time you release the slide while a magazine containing cartridges is in the pistol, you will have reloaded the chamber.



PRODUCT WARNING

All Smith & Wesson Handguns Capable of Double Action Firing

- It has come to our attention that some users of Smith & Wesson pistols capable of firing in double action may stage the trigger in anticipation of firing a shot in the double action mode. Staging is the act of pulling the trigger rearward toward — but just short of — the point where the hammer falls and the pistol fires. Such manipulation of the trigger can reduce the user's control of the handgun and can result in an unintentional discharge. Furthermore if the user decides not to fire, release of the trigger from a position close to the firing point in the staging process could result in a discharge.
- Obviously "staging" the trigger violates a basic rule of firearm safety which warns you to keep your finger off the trigger and outside the trigger guard until ready to fire.
- We warn all users of our pistols capable of firing in double action to refrain from "staging" the trigger.

UNLOADING

- Lock the slide to the rear by pushing the slide stop lever upwards while pulling the slide back and allowing it to go forward slightly to be held rearward by the slide stop lever.
- Look into the chamber and down through the magazine well. Verify that no ammunition remains in the pistol.
- Pull the slide to the rear and release it or depress the slide stop lever to allow the slide to move forward.
- Point the muzzle in a safe direction. Make sure your finger is off the trigger, and the trigger is in the "at rest" or forward position. Depress the magazine release, and remove the magazine. With the muzzle still pointing in a safe direction, and with your finger off the trigger and outside the trigger guard, grasp the serrated sides of the slide from the rear with the thumb and fingers, and briskly draw the slide fully rearward in order to extract any cartridge from the barrel chamber and clear it from the pistol.



WARNING: Do not obstruct the ejection port because doing so can interfere with ejection of a cartridge and thereby creates the risk of exploding an unchambered cartridge and possible injury.

- Visually check the barrel chamber to be sure it is empty.
- Unload the magazine by holding it with the bullet end of the cartridge pointing away from you and pressing each cartridge forward and out of the magazine.

TARGETING AND SIGHT ADJUSTMENT

- Your pistol has been targeted at the factory, however should you wish to further adjust the windage, simply move the sight in the direction you want the bullet to move on the target. There are four different front sight heights available from our product service department.
- To move the rear sight, turn the screw on the right side of the rear sight. One click (1/4 turn) moves the bullet a little over 1/16" at 25 yards. Turn the sight screw clockwise to move the point of impact left. Turn the sight screw counter-clockwise to move the point of impact right. The elevation is adjusted by changing front sight heights. To change the front sight, follow the instructions for field stripping and remove the barrel from the slide assembly, remove the front sight screw from inside the slide assembly and remove the front



sight. Assembly is in reverse order. To move the point of impact up, install a lower front sight. To move the point of impact down, install a taller front sight.


FIELD STRIPPING

SW99NJ


During field stripping of your pistol:

 **WARNING: ALWAYS POINT THE MUZZLE IN A SAFE DIRECTION AND BE SURE TO KEEP YOUR FINGER OUTSIDE THE TRIGGER GUARD. BE SURE YOUR PISTOL IS UNLOADED BEFORE DISASSEMBLY.**

- To disassemble, depress the magazine release and remove the magazine. Grasp the rear of the slide and briskly pull it fully rearward to eject the cartridge from the chamber.

 **WARNING: Do not obstruct the ejection port because doing so can interfere with ejection of a cartridge and thereby creates the risk of exploding an unchambered cartridge and possible injury.**

- Lock the slide to the rear by pushing the slide stop lever upwards while pulling the slide back and allowing it to go forward slightly to be held rearward by the slide stop lever.
- Look into the chamber and down through the magazine well. Verify that no ammunition remains in the pistol.
- Pull the slide to the rear and release it or depress the slide stop lever to allow the slide to move forward.

 **WARNING: To complete disassembly, you will be required to pull the trigger. If you have failed to unload your pistol and a round is left in the chamber, the pistol will discharge and may cause injury. Therefore, be sure that the chamber is empty before proceeding further.**

- Verify that the muzzle is pointed in a safe direction and pull the trigger to decock the striker for disassembly.
- Pull the slide back about 1/8" and depress the takedown catch on both sides of the frame with your thumb and forefinger. (Figure 11)
- Push the slide off the frame. (Figure 12)
- Grasp the slide just behind the front sight and remove the slide by pulling it forward while being careful to retain the recoil spring and guide rod assembly. (Figure 13)
- Remove the recoil spring, guide rod assembly and barrel. (Figure 14 & 15)
- The pistol is now ready for normal cleaning and lubrication. Further disassembly is not recommended and should only be undertaken by a Smith & Wesson Certified Armorer or the Factory Service Center.

FIELD STRIPPING

SW99



WARNING: ALWAYS POINT THE MUZZLE IN A SAFE DIRECTION AND BE SURE TO KEEP YOUR FINGER OUTSIDE THE TRIGGER GUARD. BE SURE YOUR PISTOL IS UNLOADED BEFORE DISASSEMBLY.

- To disassemble, depress the magazine release and remove the magazine. Grasp the slide from the rear and briskly pull the slide fully rearward to eject the cartridge from the chamber.



WARNING: Do not obstruct the ejection port because doing so can interfere with ejection of a cartridge and thereby creates the risk of exploding an unchambered cartridge and possible injury.

- Lock the slide to the rear by pushing the slide stop lever upwards while pulling the slide back and allowing it to go forward slightly to be held rearward by the slide stop lever.
- Look into the chamber and down through the magazine well. Verify that no ammunition remains in the pistol.
- Pull the slide to the rear and release it or depress the slide stop lever to allow the slide to move forward.
- Decock the striker by pressing the decocker downward. (Figure 10)
- Pull the slide back about 1/8" and depress the takedown catch on both sides of the frame with your thumb and forefinger. (Figure 11 & 12)
- Grasp the slide just behind the front sight and remove the slide by pulling it forward while being careful to retain the recoil spring and guide rod assembly. (Figure 13)
- Remove the recoil spring, guide rod assembly and barrel. (Figure 14 & 15)
- The pistol is now ready for normal cleaning and lubrication. Further disassembly is not recommended and should only be undertaken by a Smith & Wesson Certified Armorer or the Factory Service Center.

FIGURE 10



FIGURE 11



FIGURE 12

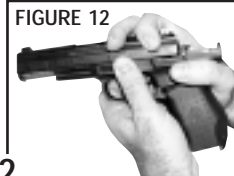


FIGURE 13





FIGURE 14



FIGURE 15



FIGURE 16

REASSEMBLY

- With the rear of the slide pointed in a safe direction and the bottom of the slide turned up, replace the barrel in the slide so the muzzle is flush with the end of the slide and barrel lug is turned up (away from the ejection port). Replace the recoil spring. Be sure the recoil spring is centered and seated properly.
- Holding the slide and recoil spring firmly in one hand, move the rear of the slide onto the frame rails. Continue moving the slide onto the frame until the slide is fully rearward before allowing the slide to return forward to the closed position.

MAGAZINE DISASSEMBLY

DISASSEMBLY

1. Using a drift punch, depress floorplate catch (4) through hole in magazine floorplate (5).
2. Slide magazine floorplate (5) out of magazine tube (1) while holding floorplate catch (4) in the magazine tube (1).
3. Remove floorplate catch (4) and magazine spring (3) out through bottom of magazine tube (1).
4. Turn magazine tube (1) right side up and remove magazine follower (2) through bottom of magazine tube (1).

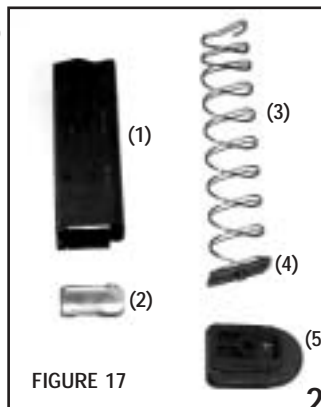


FIGURE 17

MAGAZINE ASSEMBLY

ASSEMBLY (see Figure 16)

1. Install magazine follower (2) in bottom of the magazine tube (1) with the notched edges of the magazine follower (2) toward the round side of the magazine tube (1).
2. Install magazine spring (3) and floorplate catch (4) in magazine tube (1).
3. While holding floorplate catch (4) in magazine tube (1), slide magazine floorplate (5) into magazine tube (1) so that the round projection of the floorplate catch (4) engages the magazine floorplate (5).

CLEANING AND MAINTENANCE



Ensure your firearm is unloaded before beginning to clean it. At all times follow the basic rules of safe gun handling.

Your firearm is a precision instrument and to insure reliable function, it is necessary to follow a routine maintenance procedure. After firing your firearm, be sure to unload it following the procedure outlined in the section entitled "Unloading" on page 20 before any cleaning or maintenance procedure. Your pistol should be cleaned by brushing the barrel bore and chamber with a good powder-removing solvent and bore brush. Wipe the areas clean with patches or a swab. Using a small brush dipped in solvent, remove all deposits from around the breech of the barrel, and chamber, extractor and adjacent areas which have been subjected to the action of powder or primer residue. Remove any residue on the frame with light brushing and a solvent. After cleaning the entire gun, use a cloth to apply a light film of high quality gun oil to all external metal surfaces and wipe clean.

Cleaning is considered essential in order to ensure the proper functioning of your handgun.

For additional maintenance, we recommend the services of a qualified gunsmith. Please refer to section entitled "Service". If your firearm will be used or stored in a cold climate, be sure to use an oil that will not thicken at low temperatures.

SERVICE, SHIPPING & PARTS

For Owners Within The United States

SERVICE

Customer Service 2100 Roosevelt Avenue Springfield, MA 01104 Tel: 800-331-0852 • 413-781-8300 E-mail: qa@smith-wesson.com

Should your Smith & Wesson firearm require service, it should be returned to Smith & Wesson in its original case or in a similarly secure container. It is not necessary to take the gun to a dealer for shipment. However, before shipping your firearm, call or email our Customer Service Dept. for authorization and shipping instructions.

Before shipping your handgun, ensure that the firearm is unloaded, package it securely, and do **NOT** ship any ammunition. The package must **NOT** bear any markings which indicate the identity of the contents. Enclose a letter which includes your full name and address (no P.O. Boxes, please), daytime telephone number, email address, the serial number of the firearm, and details of the problem experienced or work desired. Record the serial number before shipping, in case you wish to check on the repair status of your firearm.

Ship Centerfire pistols and ALL revolvers to:

Customer Service, 2100 Roosevelt Avenue, Springfield, MA 01104

Ship ALL .22 caliber pistols to:

Customer Service, 19 Aviation Drive, Houlton, ME 04730

Please call the above telephone number or email the above address before shipping!!

Since we cannot assume responsibility for custom parts and accessories, such as stocks, special sights, or holsters, please remove these items before returning your firearm.

Warranty repair work will begin upon receipt and examination of the firearm. In the case of repairs or work not covered by the warranty, a quotation covering the cost of the work plus round trip transportation charges will be sent to you. Repairs or modification will begin upon receipt of payment.

SERVICE, SHIPPING, & PARTS CONT'D.

SHIPPING

When shipping a firearm, it is most important that you comply with federal, state, and local laws and regulations. The following guidelines are meant to help, but you must seek assistance from the appropriate authorities if necessary.

- Check magazines and chambers to ensure that they are unloaded. Do not ship ammunition.
- Do not attempt to *MAIL* a handgun; only federally licensed dealers may mail a firearm.
- If your firearm must be replaced, it may be necessary to ship the replacement to a dealer rather than directly to you. You will be requested to furnish a signed FFL (Federal Firearms License) from your dealer in such an instance.
- When returning a pistol, please include all magazines ensuring they are unloaded; they are important to the proper function of the handgun.

ACCESSORIES & PARTS

Replacement parts and accessories for your Smith & Wesson firearm are available from your local Smith & Wesson Stocking Dealer, or directly from the Smith & Wesson Parts Department.

When ordering parts directly from the factory, please provide the following information:

- Model Number
- Dash Number
- Serial Number
- Approximate date of purchase
- Part view Number (refer to diagram)
- Complete Return Address
- VISA/Discover/MasterCard Number and Expiration Date
- For Foreign Orders Only, Fax Number or Email Address

WARRANTY

For Owners Within The United States

This warranty is granted by Smith & Wesson, 2100 Roosevelt Avenue, P.O. Box 2208, Springfield, MA 01102-2208.

This warranty is effective from the date of purchase after February 1, 1989 and applies to the original owner of any handgun purchased after that date. With respect to such handguns, this warranty supersedes any and all other warranties.

Smith & Wesson handguns are warranted to be free from defects in material and workmanship. Any such defects of which Smith & Wesson receives written notice within one year from the date of purchase by the original owner, will be remedied by Smith & Wesson without charge within a reasonable time after such notification and delivery of the handgun as provided below. If any unsafe and/or illegal condition is found during warranty inspection, Smith & Wesson will return the handgun to its original specification.

Warranty claims (in writing) and the handgun concerned should be delivered to Smith & Wesson's Customer Service Department at the above address. In addition, a copy of the bill of sale in the owner's name, or a copy of ATF Form 4473 indicating date of purchase must be included.

Warranty claims should state the model and serial number of the handgun concerned and the description of the difficulty experienced. It is recommended that shipments be insured by the owner, since Smith & Wesson will accept no responsibility for loss or damage in transit. Transportation and insurance charges for return to owner will be paid by Smith & Wesson if the claim is covered by the warranty.

UNDER NO CIRCUMSTANCES SHALL SMITH & WESSON BE RESPONSIBLE FOR INCIDENTAL OR CONSEQUENTIAL DAMAGES WITH RESPECT TO ECONOMIC LOSS, INJURY OR PROPERTY DAMAGE, WHETHER AS A RESULT OF BREACH OF EXPRESS OR IMPLIED WARRANTY, NEGLIGENCE OR OTHERWISE.

Some states do not allow the exclusion or limitation of incidental or consequential damages, so the above limitation or exclusion may not apply to you.

Smith & Wesson will not be responsible for defects resulting from careless handling, unauthorized adjustments or modifications, defective or improper ammunition, corrosion, neglect, abuse, ordinary wear and tear, or unreasonable use.

Smith & Wesson reserves the right to determine what constitutes ordinary wear and tear. However, we can rebuild handguns that have experienced extreme usage or are beyond their normal useful life at a fee that will be quoted to the owner.

This warranty gives you specific legal rights. You may also have other rights that vary from state to state.

EXTENDED SERVICE POLICY

For Owners Within The United States

Even after the warranty period has expired, Smith & Wesson will repair, without charge, any handgun purchased by the original owner on or after February 1, 1989 that is found to have defect in material or workmanship. Eligibility for this extended service policy requires returning the Product Registration Card within thirty days of purchase. A copy of the bill of sale in the owner's name and the sales receipt should accompany the handgun.

If any unsafe and/or illegal condition is found during warranty inspection, Smith & Wesson will return the handgun to its original specification.

This policy covers functional defects; it does not include the handgun's finish, grips, magazines or sights.

This policy is in addition to and not an extension of the Smith & Wesson Warranty.

Lifetime Service Policy

Fast Reliable Service

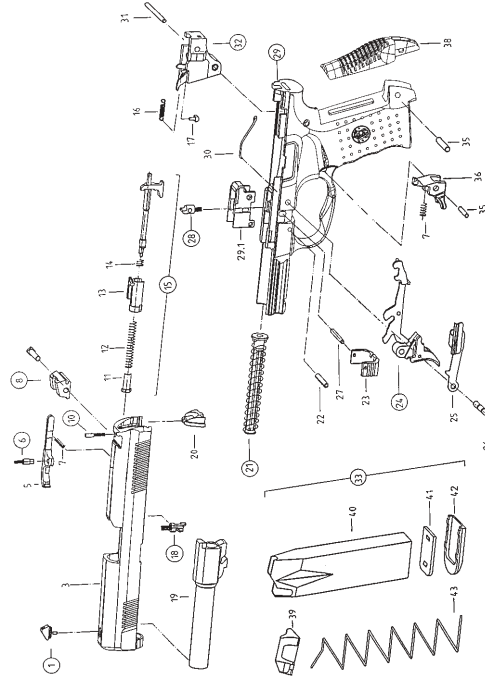
If you have any questions or concerns regarding your Smith & Wesson product, please give us a call. Our customer service representatives are product knowledgeable and are here to help you.

911 Priority Repair Service

In the event of an emergency (repairs needed by law enforcement, an upcoming match or hunting trip), call 1-800-331-0852 and ask for 911 Priority Repair Service. This allows you to speak with a Smith & Wesson representative. Immediately upon receipt, your handgun will be assigned to a gunsmith. After the work is completed, we will return your Smith & Wesson handgun via overnight delivery.

COMPONENT PARTS

SW996MS



SW99NJ

- 1. Front Sight Assembly
- 3. Slide
- 5. Extractor
- 6. Extractor Plunger Assembly
- 7. Extractor/Mag. Catch Spring
- 8. Rear Sight Assembly
- 10. Rear Sight Plunger Assembly
- 11. Striker Spring Keeper
- 12. Striker Spring
- 13. Striker Guide
- 14. Striker Return Spring
- 15. Striker Assembly
- 16. Trigger Return Spring
- 17. Trigger Bar Guide
- 19. Barrel
- 20. Slide End Cap
- 21. Recoil Guide Rod Assembly
- 22. Locking Block Pin
- 23. Takedown Catch

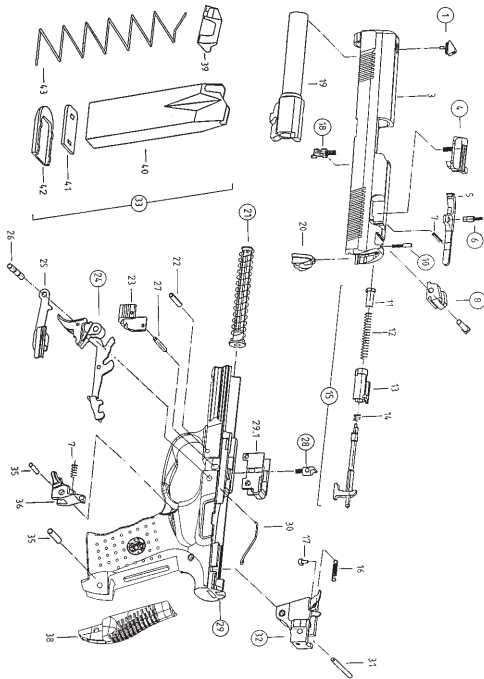
- 24. Trigger Assembly
- 25. Slide Stop Lever
- 26. Trigger Pin
- 27. Takedown Catch Pin
- 28. Barrel Lock Assembly
- 29. Frame
- 29.1. Locking Block
- 30. Slide Stop Lever Spring
- 31. Sear Housing Block Pin
- 32. Sear Housing Assembly
- 33. Magazine Assembly
- 35. Backstrap/Mag. Catch Assembly
- 36. Magazine Catch
- 38. Backstrap
- 39. Magazine Follower
- 40. Magazine Tube
- 41. Magazine Butt Plate Catch
- 42. Magazine Butt Plate
- 43. Magazine Spring

This schematic diagram and part description conforms to current specifications. From time to time, changes may be made, and the gun which you own may not correspond exactly with the information provided on this sheet.

COMPONENT PARTS

1. Front Sight Assembly
3. Slide
4. Decocking Assembly
5. Extractor
6. Extractor Plunger Assembly
7. Extractor/ Mag. Catch Spring
8. Rear Sight Assembly
10. Rear Sight Plunger Assembly
11. Striker Spring Keeper
12. Striker Spring
13. Striker Guide
14. Striker Return Spring
15. Striker Assembly
16. Trigger Return Spring
17. Trigger Bar Guide
18. Safety Plunger Assembly
19. Barrel
20. Slide End Cap
21. Recoil Guide Rod Assembly
22. Locking Block Pin
23. Takedown Catch
24. Trigger Assembly
25. Slide Stop Lever
26. Trigger Pin
27. Takedown Catch Pin
28. Barrel Lock Assembly
29. 1. Lacking Block
30. Slide Stop Lever Spring
31. Sear Housing Block Pin
32. Sear Housing Assembly
33. Magazine Assembly
35. Backstrap/ Mag. Catch Assembly
36. Backstrap
38. Backstrap
39. Magazine Follower
40. Magazine Tube
41. Magazine Butt Plate Catch
42. Magazine Butt Plate Catch
43. Magazine Spring

SW99



SW99

This schematic diagram and part description conforms to current specifications. From time to time, changes may be made, and the gun which you own may not correspond exactly with the information provided on this sheet.

This handgun is not equipped with a device that fully blocks use by unauthorized users. More than 200,000 firearms like this one are stolen from their owners every year in the United States. In addition, there are more than a thousand suicides each year by younger children and teenagers who get access to firearms. Hundreds more die from accidental discharge. It is likely that many more children sustain serious wounds or inflict such wounds accidentally on others. In order to limit the chance of such misuse, it is imperative that you keep this weapon locked in a secure place and take other steps necessary to limit the possibility of theft or accident. Failure to take reasonable preventative steps may result in innocent lives being lost, and in some circumstances may result in your liability for these deaths.

The certification below is required only for handguns sold in the United States with a barrel length shorter than 3".
 Smith & Wesson Corp. hereby certifies average accuracy test results for all new handguns with a barrel shorter than 3" as follows:

	7 yards	14 yards	21 yards
.22 cal.	1.7"	3.9"	5.1"
.380 cal.	1.6"	3.2"	6.3"
.38, .44 spec.			
.44 Mag, .357 cal.	1.0"	2.1"	2.5"

This certification is based on tests conducted by Smith & Wesson Corp. using a fixed handgun, rest and firing ammunition manufactured by a member of the Shooting Arms and Ammunition Manufacturers Institute (SAAMI) as defined in ANSI/SAAMI Z299.3-1993.

This certification represents actual tests based on several handguns, selected at random. Your particular handgun may have accuracy better than the results stated in this certification. Any caliber handgun not specifically listed will perform comparably to the nearest caliber listed.

Smith & Wesson
2100 Roosevelt Avenue • Springfield, MA 01104
www.smith-wesson.com

REV:SW99-NJ101500