



Savage[®] Arms

The Definition of Accuracy

Safe ownership is your responsibility. Please thoroughly read and understand this manual before loading your firearm.

Keep firearms and ammunition away from children. Lock unloaded firearms and ammunition securely in separate locations.

Savage Arms recommends the use of good quality high velocity factory manufactured ammunition.

www.savagearms.com

INSTRUCTION MANUAL

BOLT ACTION RIMFIRE:

MARK I .22 S.L., L.R.

MARK II .22 L.R., H.M.2

93 .22 W.M.R., .17 H.M.R.

STRIKER .22 L.R., .22 W.M.R., .17 H.M.R, .17 H.M.2

IMPORTANT! DO NOT ATTEMPT TO LOAD AND SHOOT YOUR RIFLE UNTIL YOU HAVE THOROUGHLY READ THIS INSTRUCTION MANUAL AND ARE FULLY FAMILIAR WITH ITS CONTENTS

Congratulations on joining the **Savage Arms** family of sporting firearms owners. With reasonable care, your firearm should deliver years of reliable service and perform to our "legend of accuracy".

For your convenience, this INSTRUCTION MANUAL has been divided into 8 sections:

SECTION 1: 10 Commandments of Shooting Safety

SECTION 2: Basic Functions

SECTION 3: Rings And Bases For Mounting A Scope

SECTION 4: Statement Of Limited Warranty

SECTION 5: MARK I Series (Parts List and Diagram)

SECTION 6: MARK II Series (Parts List and Diagram)

SECTION 7: Model 93 Series (Parts List and Diagram)

SECTION 8: STRIKER Series (Parts List and Diagram)

SECTION 1

10 COMMANDMENTS OF SHOOTING SAFETY

(The following excerpts are from SAAMI bulletin #081 1MM 7/97 BP. The entire booklet can be obtained by calling: NATIONAL SHOOTING SPORTS FOUNDATION, 11 MILE HILL ROAD, NEWINGTON, CT 06470; 203-426-4358)

Firearms Safety Depends On You

From the time you pick up a firearm, you become part of a system over which you have complete control. You are the only part of the system that can make a gun safe – or unsafe.

You can help meet this responsibility by enrolling in hunter safety or shooter safety courses, if you have not already done so. You must constantly stress safety when handling firearms, especially to children and non-shooters. Develop safe shooting habits and remember firearms safety is up to you. Make no mistake about it.

ALCOHOL, DRUGS AND GUNS DON'T MIX

1. ALWAYS KEEP THE MUZZLE POINTED IN A SAFE DIRECTION

This is the most basic safety rule. If everyone handled a firearm so carefully that the muzzle never pointed at something they didn't intend to shoot, there would be virtually no firearm accidents. It's as simple as that, and it's up to you.

Never point your gun at anything you do not intend to shoot. A safe direction means a direction in which a bullet cannot possibly strike anyone, taking into account possible ricochets and the fact that bullets can penetrate walls and ceilings. Even when "dry firing" with an unloaded gun, you should never point the gun at an unintended target.

This is your responsibility, and only you can control it.

2. FIREARMS SHOULD BE UNLOADED WHEN NOT ACTUALLY IN USE

Firearms should be loaded only when you are in the field or on the target range or shooting area, ready to shoot. When not in use, firearms and ammunition should be secured in a safe place, separate from each other. It is your responsibility to prevent children and inexperienced adults from gaining access to firearms or ammunition. A loaded gun has no place in or near a vehicle or building.

Whenever you handle a firearm or hand it to someone, always open the action immediately, and visually check the chamber, receiver and magazine to be certain they do not contain any ammunition. Never assume a gun is unloaded – check for yourself! While in the field, there will be times when common sense and the basic rules of firearms safety will require you to unload your gun for maximum safety. When in doubt, unload your gun!

3. DON'T RELY ON YOUR GUN'S "SAFETY"

Treat every gun as though it can fire at any time, regardless of pressure on the trigger. The "safety" on any gun is a mechanical device, which, like any such device, can become

inoperable at the worst possible time. The safety serves as a supplement to proper gun handling but cannot possibly serve as a substitute for common sense.

Never touch the trigger on a firearm until you actually intend to shoot.

Your firearm is a precision instrument. Regardless of the position of the safety, any bump strong enough to actuate the firing mechanism of a gun can cause it to fire. The only time you can be absolutely certain that a gun cannot fire is when the action is open and it is completely empty. You and the safe gun handling procedures you have learned are your gun's primary safeties.

4. BE SURE OF YOUR TARGET AND WHAT'S BEYOND IT

No one can call a bullet back. Don't shoot unless you know exactly what your bullet is going to strike. Be sure that your bullet will not injure anyone or anything beyond your target. You should keep in mind how far a bullet will travel if it misses your intended target or ricochets in another direction.

Be aware that even a .22 short bullet can travel over 1¼ miles and a high velocity cartridge, such as a 30-06, can project a bullet more than 3 miles. Shotgun pellets can travel 500 yards, and shotgun slugs have a range of over a half-mile.

5. USE CORRECT AMMUNITION

You must assume the serious responsibility of using only the correct ammunition for your firearm. Read and heed all warnings, including those that appear in the gun's instruction manual and on the ammunition boxes. Using improper or incorrect ammunition can destroy a gun and cause serious personal injury. It only takes one cartridge of improper caliber or gauge to wreck your gun, and only a second to check each one as you load it. Be absolutely certain that the ammunition you are using matches the specifications that are contained within the gun's instruction manual and the manufacturer's markings on the firearm barrel.

Hand loaded or reloaded ammunition deviating from pressures generated by factory loads or from competent recommendations specified in reputable hand loading manuals can be dangerous, and can cause severe damage to guns and serious injury to the shooter.

Ammunition that has become very wet or has been submerged in water should be discarded in a safe manner. Do not spray oil or solvents on ammunition or place ammunition in excessively lubricated firearms.

Form the habit of examining every cartridge you put in your gun. Never use damaged, old or questionable ammunition – the money you save is not worth the risk of possible injury or a ruined gun.

WARNING

DISCHARGING FIREARMS IN POORLY VENTILATED AREAS, CLEANING FIREARMS OR HANDLING AMMUNITION MAY RESULT IN EXPOSURE TO LEAD AND OTHER SUBSTANCES KNOWN TO CAUSE BIRTH DEFECTS, REPRODUCTIVE HARM AND OTHER SERIOUS PHYSICAL INJURY. HAVE ADEQUATE VENTILATION AT ALL TIMES. WASH HANDS THOROUGHLY AFTER EXPOSURE.

6. IF YOUR GUN FAILS TO FIRE WHEN THE TRIGGER IS PULLED, HANDLE WITH CARE!

Occasionally, a gun may not fire when the trigger is pulled. If this occurs, keep the muzzle pointed in a safe direction. Keep your face away from the breech. Then, carefully open the action, unload the firearm and dispose of the cartridge in a safe way.

Any time there is a cartridge in the chamber, your gun is loaded and ready to fire – even if you've tried to shoot and it did not go off. It could go off at any time, so you must always remember **RULE #1** and **WATCH THAT MUZZLE!**

SAFETY

The safety is located on the right side of the receiver on right hand guns, and on the left side of the receiver on left hand guns and the Striker Series.

1. To put **ON SAFE**, pull rearward on the safety lever to fully expose the "S". See **FIGURE 1**.



(Right hand model shown)

2. To take **OFF SAFE**, push the safety lever forward to cover the "S" and fully expose the red dot. See **FIGURE 2**.



(Right hand model shown)

CAUTION

WHEN CARRYING A LOADED FIREARM, THE SAFETY MUST ALWAYS BE IN THE ON SAFE POSITION.

THE ONLY TIME YOU CAN BE ABSOLUTELY CERTAIN THAT A GUN CANNOT FIRE IS WHEN THE ACTION IS OPEN AND IT IS COMPLETELY EMPTY OF AMMUNITION.

LOADING

FIREARMS SHOULD BE LOADED ONLY WHEN YOU ARE IN THE FIELD, ON THE TARGET RANGE, OR AT A SHOOTING AREA READY TO SHOOT.

ALWAYS KEEP THE MUZZLE POINTED IN A SAFE DIRECTION.

USE ONLY THE CORRECT AMMUNITION THAT IS STAMPED ON THE SIDE OF THE BARREL.

LOOK THROUGH AND THOROUGHLY CLEAN THE INSIDE OF THE BARREL AND CHAMBER TO ASSURE THERE ARE NO POSSIBLE OBSTRUCTIONS PRIOR TO LOADING.

SAVAGE ARMS, (CANADA) INC. DISCLAIMS ANY RESPONSIBILITY FOR DAMAGE OR INJURY WHICH RESULTS FROM THE USE OF OTHER THAN FACTORY MANUFACTURED AMMUNITION.

LOADING – REMOVABLE MAGAZINE (CLIP)

1. With the muzzle of the firearm pointed in a safe direction, move the safety fully rearward to the **ON SAFE** position.
2. Placing one hand over the ejection port, slowly lift the bolt handle up and pull fully rearward to extract the live cartridge from the chamber (if there is one).
3. With one hand prepared to catch the removable magazine, pull the latch at the rear of the magazine, ejecting the magazine into your hand. See **FIGURE 3**.

SAFETY

The safety is located on the right side of the receiver on right hand guns, and on the left side of the receiver on left hand guns and the Striker Series.

1. To put **ON SAFE**, pull rearward on the safety lever to fully expose the "S". See **FIGURE 1**.



(Right hand model shown)

2. To take **OFF SAFE**, push the safety lever forward to cover the "S" and fully expose the red dot. See **FIGURE 2**.



(Right hand model shown)

CAUTION

WHEN CARRYING A LOADED FIREARM, THE SAFETY MUST ALWAYS BE IN THE ON SAFE POSITION.

THE ONLY TIME YOU CAN BE ABSOLUTELY CERTAIN THAT A GUN CANNOT FIRE IS WHEN THE ACTION IS OPEN AND IT IS COMPLETELY EMPTY OF AMMUNITION.

LOADING

FIREARMS SHOULD BE LOADED ONLY WHEN YOU ARE IN THE FIELD, ON THE TARGET RANGE, OR AT A SHOOTING AREA READY TO SHOOT.

ALWAYS KEEP THE MUZZLE POINTED IN A SAFE DIRECTION.

USE ONLY THE CORRECT AMMUNITION THAT IS STAMPED ON THE SIDE OF THE BARREL.

LOOK THROUGH AND THOROUGHLY CLEAN THE INSIDE OF THE BARREL AND CHAMBER TO ASSURE THERE ARE NO POSSIBLE OBSTRUCTIONS PRIOR TO LOADING.

SAVAGE ARMS, (CANADA) INC. DISCLAIMS ANY RESPONSIBILITY FOR DAMAGE OR INJURY WHICH RESULTS FROM THE USE OF OTHER THAN FACTORY MANUFACTURED AMMUNITION.

LOADING – REMOVABLE MAGAZINE (CLIP)

1. With the muzzle of the firearm pointed in a safe direction, move the safety fully rearward to the **ON SAFE** position.
2. Placing one hand over the ejection port, slowly lift the bolt handle up and pull fully rearward to extract the live cartridge from the chamber (if there is one).
3. With one hand prepared to catch the removable magazine, pull the latch at the rear of the magazine, ejecting the magazine into your hand. See **FIGURE 3**.



FIGURE 3

(MARK II shown)

4. Look and feel to be sure there are no cartridges in the chamber.
5. As shown in FIGURE 4, load the correct caliber cartridges into the removable magazine by pressing downward and to the rear.



FIGURE 4

(.22LR 10 shot magazine shown)

6. Insert the removable magazine back into the stock opening, pressing upward until the latch snaps into position and is fully engaged.
7. Moving the bolt handle forward and down will push the first cartridge from the magazine into the chamber.
 - When the bolt is fully closed, a live cartridge will be IN THE CHAMBER.

ALWAYS KEEP THE MUZZLE POINTED IN A SAFE DIRECTION.

LOADING – SINGLE SHOT

1. Move the safety fully rearward to the *ON SAFE* position, locking the trigger mechanism.
2. Lift the bolt handle up and fully rearward.
3. Insert a cartridge into the chamber as shown in FIGURE 5.

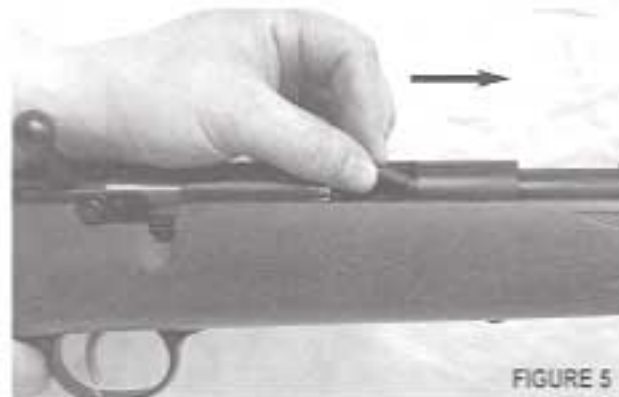


FIGURE 5

(MARK I shown)

4. Move the bolt handle forward and down.
 - When the bolt is fully closed, a live cartridge will be IN THE CHAMBER.

ALWAYS KEEP THE MUZZLE POINTED IN A SAFE DIRECTION.

TO FIRE

DO NOT MOVE THE SAFETY FORWARD TO THE OFF SAFE [READY TO FIRE] POSITION UNTIL YOU ARE READY TO SHOOT.

1. Keep your finger off the trigger and out of the trigger guard until you are ready to shoot.

THE ONLY TIME YOU CAN BE ABSOLUTELY CERTAIN THAT A GUN CANNOT FIRE IS WHEN THE ACTION IS OPEN AND IT IS COMPLETELY EMPTY OF AMMUNITION.

2. Always look carefully around to be sure that no one will cross in front of you when you are ready to shoot.
3. Place the firearm in shooting position and move the safety forward to the *OFF SAFE [READY TO FIRE]* position and take aim.

NEVER TOUCH THE TRIGGER ON A FIREARM UNTIL YOU ACTUALLY INTEND TO SHOOT.

NEVER POINT YOUR GUN AT ANYTHING YOU DO NOT INTEND TO SHOOT.

4. Place your finger into the trigger guard and when you are on target, squeeze the trigger slowly.

NO ONE CAN CALL A BULLET BACK !!!

CAUTION

SHOULD YOU NOTICE WHAT APPEARS TO BE GAS PRESSURE/RESIDUAL POWDER COMING FROM THE BOLT AREA, THIS MAY BE WHAT IS KNOWN AS BLOW BACK. ALTHOUGH WEARING SAFETY GLASSES WILL PROTECT YOUR EYES, WE RECOMMEND TRYING A DIFFERENT BRAND OF AMMUNITION IN ORDER TO CORRECT THE SITUATION. SHOULD YOU STILL BE EXPERIENCING THIS CONDITION, OR OTHER OPERATING DIFFICULTY, PLEASE CONTACT OUR SERVICE DEPARTMENT AT 413-568-7001.

5. Pull up and fully rearward on the bolt handle to open the bolt to extract the fired case.

ALWAYS KEEP THE MUZZLE POINTED IN A SAFE DIRECTION.

6. Moving the bolt handle forward and down will push the next cartridge from the magazine into the chamber.
7. Move the safety fully rearward to the *ON SAFE* position when not firing.

UNLOADING – REMOVABLE MAGAZINE (CLIP)

1. With the muzzle pointed in a safe direction, move the safety fully rearward to the *ON SAFE* position.

KEEP YOUR FINGERS AWAY FROM THE TRIGGER.

2. Placing one hand over the ejection port, slowly lift the bolt handle up and pull fully rearward to extract the live cartridge from the chamber (if there is one).
3. With one hand prepared to catch the removable magazine, pull the latch at the rear of the magazine, ejecting the magazine into your hand.

A LOADED GUN HAS NO PLACE IN OR NEAR A VEHICLE OR BUILDING.

CAUTION

LOOK AND FEEL! BE SURE THE CHAMBER AND MAGAZINE ARE COMPLETELY EMPTY — DO NOT ASSUME!

UNLOADING – SINGLE SHOT

1. With the muzzle pointed in a safe direction, move the safety fully rearward to the *ON SAFE* position.

KEEP YOUR FINGERS AWAY FROM THE TRIGGER.

2. Placing one hand over the ejection port, slowly lift the bolt handle up and pull fully rearward to extract the live cartridge from the chamber.
3. Remove the cartridge with your fingers.

A LOADED GUN HAS NO PLACE IN OR NEAR A VEHICLE OR BUILDING.

CAUTION

LOOK AND FEEL! BE SURE THE CHAMBER IS EMPTY DO NOT ASSUME!

CLEANING AND CARE OF YOUR FIREARM

YOUR GUN IS A MECHANICAL DEVICE THAT WILL NOT LAST FOREVER AND IS SUBJECT TO WEAR.

TO REMOVE THE BOLT

ALWAYS KEEP THE MUZZLE POINTED IN A SAFE DIRECTION.

A LOADED GUN HAS NO PLACE IN OR NEAR A VEHICLE OR BUILDING.

1. Placing one hand over the ejection port, slowly lift the bolt handle up and pull fully rearward to extract the live cartridge from the chamber (if there is one).
2. With one hand prepared to catch the removable magazine, pull the latch at the rear of the magazine, ejecting the magazine into your hand.
3. Look and feel to be sure there are no cartridges in the chamber.
4. Move the safety forward to the OFF SAFE [READY TO FIRE] position.
5. Pull back on the trigger and slide the bolt out of the rear of the receiver. See FIGURE 6.



(MARK I shown)

6. Care should be taken not to hit the stock with the bolt.

DO NOT DISASSEMBLE THE BOLT ASSEMBLY.

CAUTION

BOLT ASSEMBLIES ARE SPECIFICALLY MATCHED TO A FIREARM. USING ANY OTHER BOLT ASSEMBLY MAY CAUSE EXTENSIVE DAMAGE TO THE FIREARM AND/OR SERIOUS INJURY TO THE SHOOTER OR BYSTANDER.

DISASSEMBLE ONLY ONE FIREARM AT A TIME TO AVOID INTERCHANGING COMPONENTS.

CLEANING THE BORE

LOOK AND FEEL! BE SURE THE CHAMBER AND MAGAZINE ARE COMPLETELY EMPTY DO NOT ASSUME!!!

NEVER ATTEMPT TO DISASSEMBLE, CLEAN, OR OIL A LOADED FIREARM!

BE SURE TO READ AND UNDERSTAND ALL OF THE CAUTIONS AND WARNINGS ON ALL SOLVENTS AND CHEMICALS PRIOR TO USE. FOLLOW THE MANUFACTURER'S INSTRUCTIONS FOR BEST CLEANING RESULTS.

1. Prepare an area for cleaning the firearm with a suitable surface, adequate ventilation, and the correct caliber cleaning rod, brush, patches, powder solvent, and oil.
2. Follow the instructions under "TO REMOVE THE BOLT" (see page 7) before cleaning.
3. Lay the firearm horizontally with the ejection port facing down.

ALWAYS STARTING FROM THE CHAMBER END, PUSH THE CLEANING ROD THROUGH THE BORE AND OUT THE MUZZLE END.

4. Using a small amount of powder solvent on the brush, push the cleaning rod through the barrel several times.

- Unscrew the brush from the cleaning rod and replace it with a patch tip.
- Push a new patch through the bore starting from the chamber end and out the muzzle.
- Repeat step 6 several times.
- Push a new patch lightly saturated with gun oil through the bore.
- Push a new dry patch through the bore to remove the excess oil.

A VERY THIN FILM OF OIL IS SUFFICIENT PROTECTION — DO NOT OVER OIL!!!

YOUR GUN IS A MECHANICAL DEVICE THAT WILL NOT LAST FOREVER AND IS SUBJECT TO WEAR. CONTACT SAVAGE ARMS SERVICE DEPARTMENT FOR PERIODIC INSPECTION, ADJUSTMENT AND SERVICE.

PROTECTING METAL SURFACES

- In order to be able to reach all surfaces, remove the bolt prior to cleaning and oiling.
- With a soft cloth, remove any foreign matter (i.e. mud, twigs, grass).

- Apply a thin coat of gun oil on all cleaned metal surfaces. Rubbing may be necessary to remove any signs of rust.
- Where accessible, clean and lightly oil interior metal surfaces.

TO REPLACE BOLT

- Make sure that the magazine is removed, the safety is in the *OFF SAFE [READY TO FIRE]* position, and the bolt is in the cocked position (the guide pin aligned with the bolt arm, see FIGURE 7).



- Hold the bolt so the firing pin is located top center. With the trigger pulled, slide the bolt into the rear of the receiver.
 - If you encounter difficulty, remove the bolt and re-check the alignment. Never force the bolt into the receiver.

SECTION 3

RINGS & BASES FOR MOUNTING A SCOPE

The following companies manufacture *RINGS* and *BASES* that fit Savage firearms.

The manufacturers listed below should be contacted for specific part numbers and information.

WEAVER P.O. Box 39 Onalaska, WI 54650 800-635-7656 www.weaveroptics.com	BURRIS 331 East 8 th Street Greeley, CO 80631 970-356-1670 www.burrisoptics.com
KWIK-SITE 5555 Treadwell Wayne, MI 48184 734-326-1500 www.kwiksiteco@aol.com	MILLETT 7275 Murdy Circle Huntington Beach, CA 92647 800-645-5388 www.milletsights.com
B-SQUARE P.O. Box 11281 Fort Worth, TX 76110 800-433-2909 www.b-square.com	LEUPOLD 14400 NW Greenbrier Parkway Beaverton, OR 97006 503-526-5196 www.leupold.com

SECTION 4

STATEMENT OF LIMITED WARRANTY

Please complete the *WARRANTY REGISTRATION CARD* and return it to **Savage Arms, Inc.** within ten (10) days from the date of purchase.

Savage Arms, Inc. must be notified within one (1) year from the date of purchase of any defect in materials or workmanship encountered during normal use.

WHO IS COVERED?

The original owner (with proof of purchase).

WHAT IS COVERED?

Any defect in materials or workmanship performed at **Savage Arms**.

HOW LONG IS THE WARRANTY PERIOD?

One (1) year from the date of purchase.

WHAT IS NOT COVERED?

PERSONAL INJURY, PROPERTY DAMAGE, AND/OR DAMAGE TO THE FIREARM CAUSED BY:

- Negligence to provide proper care and maintenance.

- Alterations/modifications performed without the expressed authorization of **Savage Arms, Inc.** Service Department.
- Normal wear; tear; and/or corrosion.
- Accidental discharge, careless handling, and/or misuse.
- Barrel obstructions.

EXCLUSIONS AND LIMITATIONS:

This *WARRANTY* and the remedies set forth herein are exclusive and take the place of all other expressed or implied *WARRANTIES* (including any implied *WARRANTY* of merchantability or fitness for any particular purpose which are disclaimed). No other representations or claims of any nature shall be binding on or obligate **Savage Arms, Inc.**

Savage Arms, Inc. excludes any incidental and consequential damages under this warranty. Some states do not allow exclusions or limitations on how long an implied warranty lasts, so the above limitations may not apply to you.

This *WARRANTY* gives you specific legal rights. You may have other rights, which will vary, from state to state.

RETURNING A FIREARM:

For *WARRANTY* claims, proof of purchase must accompany the firearm.

It is a violation of Federal Law to ship a firearm with live ammunition either in the box or in the firearm itself. If received, The Bureau of Alcohol, Tobacco, and Firearms must be notified!

Savage Arms, Inc. is not responsible for the loss or damage to any accessories shipped with the firearm.

If there is a question whether the firearm should be returned or parts could be purchased, please call 1-413-568-7001 between 9:00 am and 3:30 p.m. EST and ask for the Service/Warranty Department.

All firearms are to be sent to **Savage Arms, Inc.** at the owner's expense. Warranty repairs will be returned to the owner at the expense of **Savage Arms, Inc.**

1. Pack the firearm in its original box if possible (or a similar suitable box), being careful to include any support pieces.
2. Enclose a brief note including:
 - Name, address and phone number of sender.

- Best time and method to contact sender.
- Serial number of firearm.
- Description of the problem you are having.
- Bullet weight, bullet type, sabot, powder type and charge you are using.
- Any other information that you feel may be helpful.

3. Return to:

Savage Arms, Inc.
100 Springdale Road
Westfield, MA 01085
Attn: Service Department
Phone: 413-568-7001
Fax: 413-568-8386

4. If there will be a charge involved for the repair, a quote will be sent within fourteen (14) working days.
- If there is no response from the quote within (30) days, the firearm will be returned COD (\$20.00 Shipping/Handling).
 - Firearms will be repaired typically 4 weeks after receipt of payment in the order they were received.



Savage Arms

The Definition of Accuracy

SECTION 5

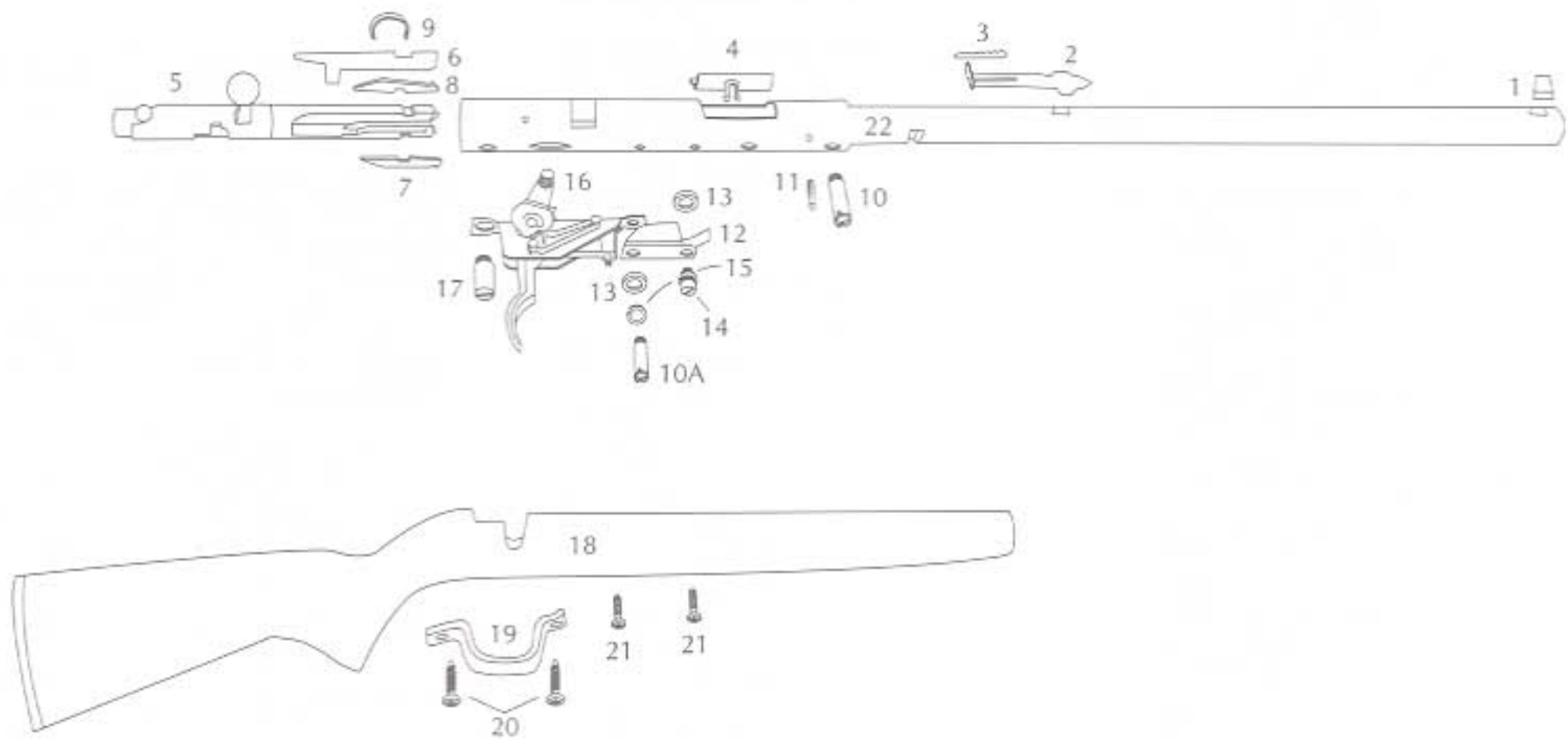
MARK I Series

PARTS MAY BE ORDERED DIRECTLY FROM SAVAGE ARMS [PHONE 413-568-7001] BETWEEN THE HOURS OF 9:00 AND 3:30 (EASTERN STANDARD TIME). THERE IS A MINIMUM ORDER AND PLEASE ALLOW 2 WEEKS FOR DELIVERY.

PLEASE BE ADVISED THAT SOME PARTS MAY REQUIRE FITTING. SAVAGE ARMS BEARS NO RESPONSIBILITY FOR THE FUNCTION OR PERFORMANCE OF ANY FIREARM THAT HAS BEEN REPAIRED OR MODIFIED BY OTHER THAN SAVAGE ARMS SERVICE DEPARTMENT. AS SUCH, SAVAGE ARMS ACCEPTS NO RESPONSIBILITY/LIABILITY FOR ANY DIRECT AND/OR CONSEQUENTIAL DAMAGE AND/OR INJURY RESULTING FROM THE USE OF A FIREARM REPAIRED OR MODIFIED BY OTHER THAN THE SAVAGE ARMS SERVICE DEPARTMENT.

** RESTRICTED TO FACTORY INSTALLATION ONLY*

#	Description
1	Front sight
2	Rear sight
3	Universal elevator
4	Feed ramp RH Feed ramp LH
*5	Bolt assembly RH Bolt assembly LH
6	Firing pin
7	Extractor RH Extractor LH
8	Cartridge guide RH Cartridge guide LH
9	Extractor spring clip
10	Front stud
10A	Stock assembly stud
11	Receiver pin
12	Bolt guide RH Bolt guide LH
13	Spacer washer (2 req'd)
14	Trigger/mag housing screw
15	Lock washer (2 req'd)
16	Trigger assembly RH Trigger assembly LH
17	Rear stud
18	Stock wood RH Stock wood RH unchecked Stock wood RH youth Stock wood RH youth camo Stock wood RH youth camo unchecked Stock wood RH youth unchecked Stock wood LH Stock wood LH unchecked Stock color laminate RH Stock color laminate RH unchecked
19	Trigger guard
20	Trigger guard/mag plate screw (2 req'd)
21	Stock assembly screw (2 req'd)
*22	Barrel/receiver assembly RH Barrel/receiver assembly RH youth Barrel/receiver assembly RH smooth bore Barrel/receiver assembly LH



MARK I

Not To Scale

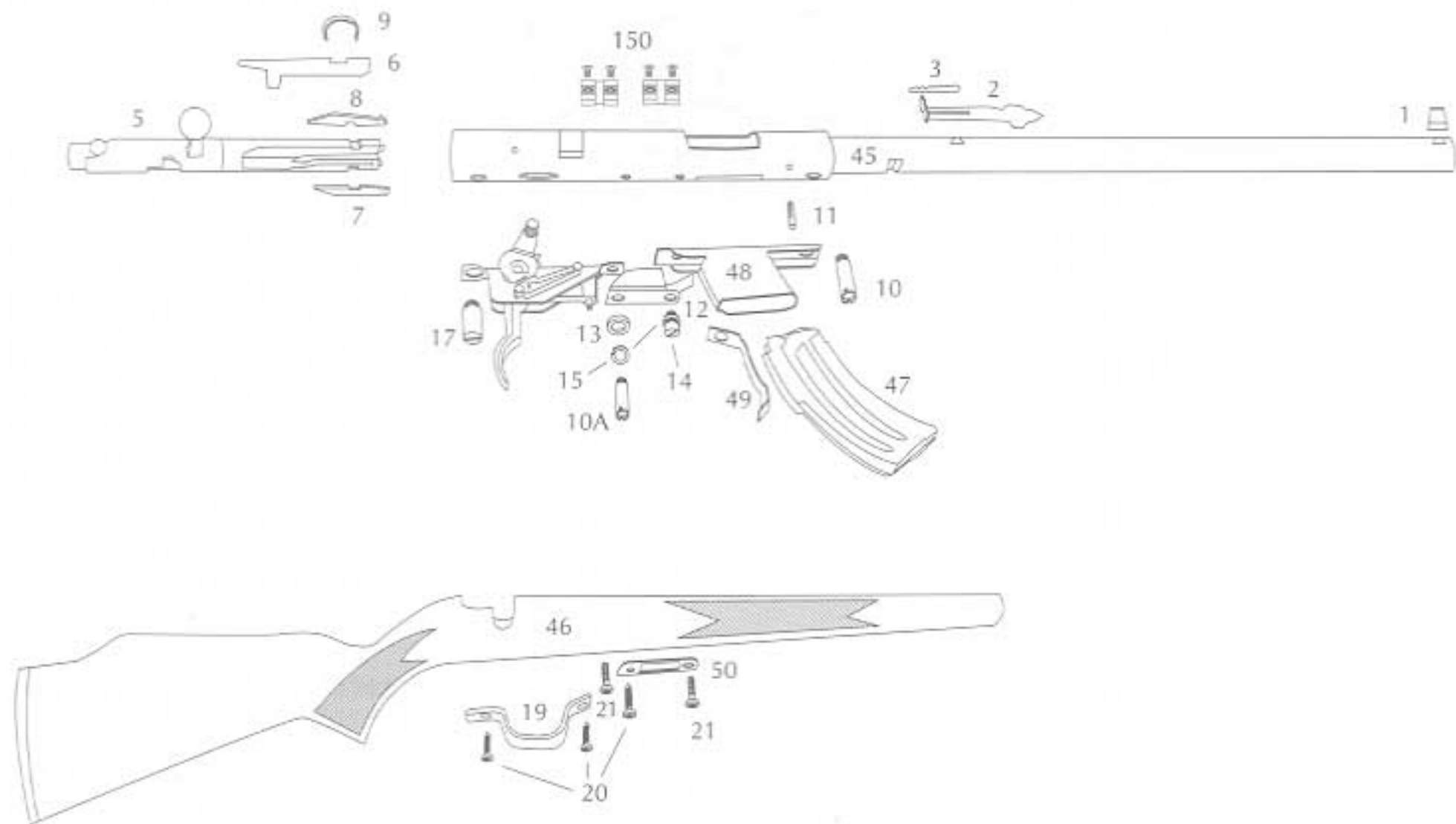
SECTION 6**MARK II Series**

PARTS MAY BE ORDERED DIRECTLY FROM SAVAGE ARMS [PHONE 413-568-7001] BETWEEN THE HOURS OF 9:00 AND 3:30 (EASTERN STANDARD TIME). THERE IS A MINIMUM ORDER AND PLEASE ALLOW 2 WEEKS FOR DELIVERY.

PLEASE BE ADVISED THAT SOME PARTS MAY REQUIRE FITTING. SAVAGE ARMS BEARS NO RESPONSIBILITY FOR THE FUNCTION OR PERFORMANCE OF ANY FIREARM THAT HAS BEEN REPAIRED OR MODIFIED BY OTHER THAN SAVAGE ARMS SERVICE DEPARTMENT. AS SUCH, SAVAGE ARMS ACCEPTS NO RESPONSIBILITY/LIABILITY FOR ANY DIRECT AND/OR CONSEQUENTIAL DAMAGE AND/OR INJURY RESULTING FROM THE USE OF A FIREARM REPAIRED OR MODIFIED BY OTHER THAN THE SAVAGE ARMS SERVICE DEPARTMENT.

** RESTRICTED TO FACTORY INSTALLATION ONLY*

#	Description	
1	Front sight	
2	Rear sight	
3	Universal elevator	
*5	Bolt assembly RH	*45
	Bolt assembly RH SS	Barrel/receiver assembly RH youth
	Bolt assembly LH	Barrel/receiver assembly RH heavy barrel
6	Firing pin	Barrel/receiver assembly RH SS
7	Extractor RH	Barrel/receiver assembly LH
	Extractor LH	Barrel/receiver assembly LH youth
8	Cartridge guide RH	
	Cartridge guide LH	46
9	Extractor spring clip	Stock wood RH
10	Front stud	Stock wood RH youth
10A	Stock assembly stud	Stock wood RH laminate heavy barrel
11	Receiver pin	Stock wood LH
12	Bolt guide RH	Stock wood LH youth
	Bolt guide LH	Stock synthetic RH
13	Spacer washer	Stock synthetic RH heavy barrel
14	Trigger/mag housing screw (2 req'd)	Stock synthetic RH camo
15	Lock washer (2 req'd)	47
16	Trigger assembly RH	Magazine assembly 5 shot
	Trigger assembly RH (synthetic stock)	Magazine assembly 10 shot
	Trigger assembly RH SS (synthetic stock)	Magazine assembly SS 5 shot
	Trigger assembly LH	Magazine assembly SS 10 shot
17	Rear stud	48
19	Trigger guard	Magazine housing
20	Trigger guard/mag plate screw (3 req'd)	Magazine housing SS
21	Stock assembly screw (2 req'd)	49
		Magazine retaining spring
		Magazine retaining spring SS
		50
		Magazine plate
		150
		Scope base/screws (2 req'd)



MARK II

Not To Scale

SECTION 7

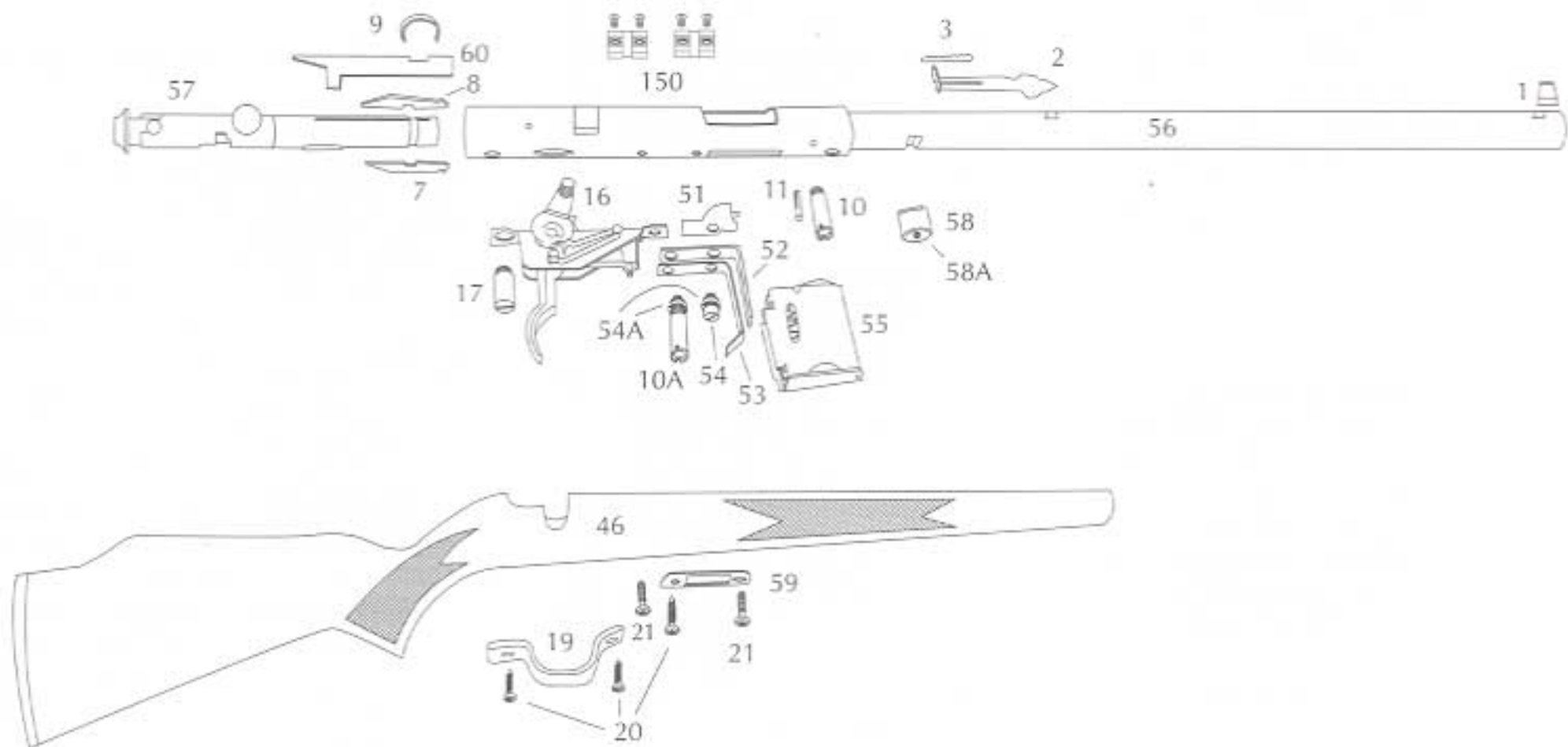
Model 93 Series

PARTS MAY BE ORDERED DIRECTLY FROM SAVAGE ARMS [PHONE 413-568-7001] BETWEEN THE HOURS OF 9:00 AND 3:30 (EASTERN STANDARD TIME). THERE IS A MINIMUM ORDER AND PLEASE ALLOW 2 WEEKS FOR DELIVERY.

PLEASE BE ADVISED THAT SOME PARTS MAY REQUIRE FITTING. SAVAGE ARMS BEARS NO RESPONSIBILITY FOR THE FUNCTION OR PERFORMANCE OF ANY FIREARM THAT HAS BEEN REPAIRED OR MODIFIED BY OTHER THAN SAVAGE ARMS SERVICE DEPARTMENT. AS SUCH, SAVAGE ARMS ACCEPTS NO RESPONSIBILITY/LIABILITY FOR ANY DIRECT AND/OR CONSEQUENTIAL DAMAGE AND/OR INJURY RESULTING FROM THE USE OF A FIREARM REPAIRED OR MODIFIED BY OTHER THAN THE SAVAGE ARMS SERVICE DEPARTMENT.

* RESTRICTED TO FACTORY INSTALLATION ONLY

#	Description	#	Description
1	Front sight	51	Bolt guide RH
2	Rear sight		Bolt guide LH
3	Universal elevator	52	L'bar
7	Extractor RH		L'bar SS
	Extractor LH	53	Magazine retaining spring
8	Cartridge guide RH		Magazine retaining spring SS
	Cartridge guide LH	54	L'bar screw (2 req'd)
9	Extractor spring clip	54A	Lock washer (2 req'd)
10	Front stud	55	Magazine assembly
10A	Stock assembly stud		Magazine assembly SS
11	Receiver pin	*56	Barrel/receiver assembly RH
16	Trigger assembly RH		Barrel/receiver assembly RH heavy barrel SS
	Trigger assembly RH SS		Barrel/receiver assembly RH SS
	Trigger assembly RH		Barrel/receiver assembly LH
	(synthetic stock)		Barrel/receiver assembly .17HMR RH
	Trigger assembly RH SS		Barrel/receiver assembly .17HMR RH SS
	(synthetic stock)		Barrel/receiver assembly .17HMR RH heavy barrel
	Trigger assembly LH		Barrel/receiver assembly .17HMR RH heavy barrel SS
17	Rear stud		Barrel/receiver assembly .17HMR LH heavy barrel
19	Trigger guard	*57	Bolt assembly RH
20	Trigger guard/mag plate screw		Bolt assembly RH SS
	(3 req'd)		Bolt assembly LH
21	Stock assembly screw (2 req'd)	58	Recoil lug
46	Stock wood RH	58A	Recoil lug screw
	Stock wood RH heavy barrel	59	Magazine plate
	Stock wood LH	60	Firing pin
	Stock wood LH heavy barrel	150	Scope base/screws (2 req'd)
	Stock synthetic RH		Scope base/screws SS (2 req'd)
	Stock synthetic RH camo		
	Stock synthetic RH heavy barrel		
	Stock color laminate RH heavy barrel		



Model 93

Not To Scale

SECTION 8**STRIKER Series**

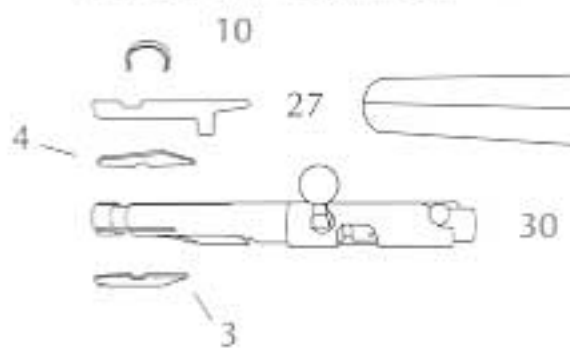
PARTS MAY BE ORDERED DIRECTLY FROM SAVAGE ARMS (PHONE 413-568-7001) BETWEEN THE HOURS OF 9:00 AND 3:30 (EASTERN STANDARD TIME). THERE IS A MINIMUM ORDER AND PLEASE ALLOW 2 WEEKS FOR DELIVERY.

PLEASE BE ADVISED THAT SOME PARTS MAY REQUIRE FITTING. SAVAGE ARMS BEARS NO RESPONSIBILITY FOR THE FUNCTION OR PERFORMANCE OF ANY FIREARM THAT HAS BEEN REPAIRED OR MODIFIED BY OTHER THAN SAVAGE ARMS SERVICE DEPARTMENT. AS SUCH, SAVAGE ARMS ACCEPTS NO RESPONSIBILITY/ LIABILITY FOR ANY DIRECT AND/OR CONSEQUENTIAL DAMAGE AND/OR INJURY RESULTING FROM THE USE OF A FIREARM REPAIRED OR MODIFIED BY OTHER THAN THE SAVAGE ARMS SERVICE DEPARTMENT.

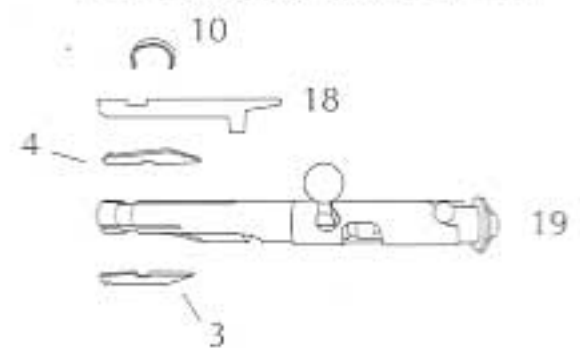
** RESTRICTED TO FACTORY INSTALLATION ONLY*

#	Description		
	MODELS 501, 502 & 503		MODEL 502 .22WMR & 503 .17HMR
1	Stock assembly screw (2 req'd)	12	Recoil lug
2	Rear stud	12A	Recoil lug screw
3	Extractor RH	13	L'bar
4	Cartridge guide RH		L'bar SS
5	Lock washer	14	Magazine assembly
6	Scope base/screws (2 req'd)		Magazine assembly SS
	Scope base/screws SS (2 req'd)	15	Magazine retaining spring
7	Stock assembly stud		Magazine retaining spring SS
8	Trigger assembly LH	16	L'bar screw
	Trigger assembly LH SS	17	Bolt guide RH
9	Stock synthetic .22LR	18	Firing pin
	Stock synthetic .22WMR/.17HMR	*19	Bolt assembly .22WMR/.17HMR
10	Extractor spring clip		Bolt assembly .17HMR SS
*29	Barrel/receiver assembly .22LR		
	Barrel/receiver assembly .22WMR		
	Barrel/receiver assembly .17HMR		
	Barrel/receiver assembly .17HMR SS		
32	Front stud		
	MODEL 501 .22LR		
22	Magazine housing		
23	Magazine assembly		
24	Magazine retaining spring		
25	Trigger/mag housing screw		
26	Bolt guide RH		
27	Firing pin		
28	Spacer washer		
*30	Bolt assembly .22LR		

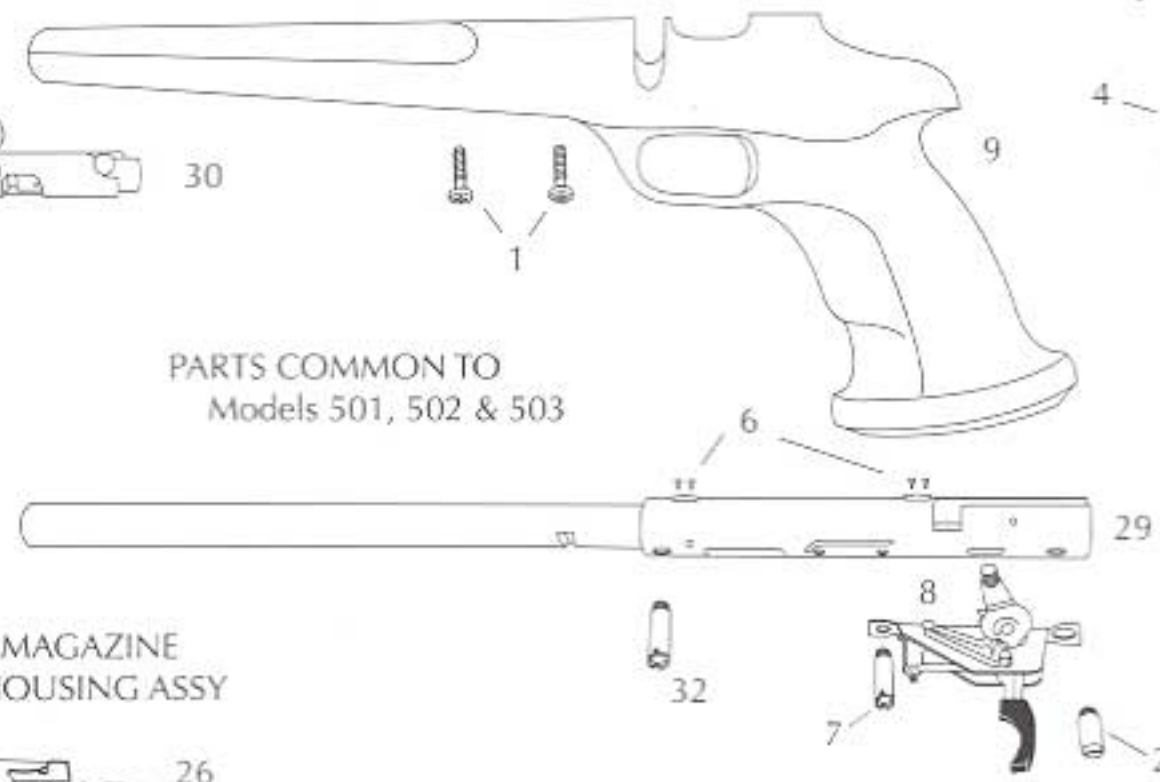
MODEL 501 BOLT ASSY



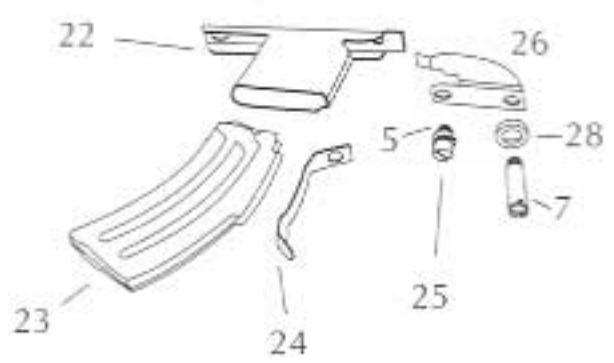
MODEL 502 & 503 BOLT ASSY



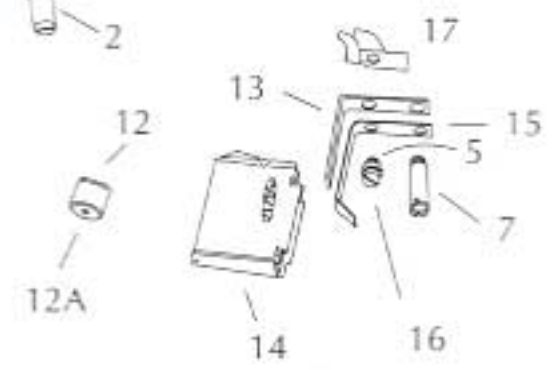
PARTS COMMON TO
Models 501, 502 & 503



MODEL 501 MAGAZINE
& MAGAZINE HOUSING ASSY



MODEL 502 & 503 MAGAZINE
& MAGAZINE HOUSING ASSY



STRIKER

Not To Scale



WARNING

Children are attracted to and can operate firearms that can cause severe injury or death. Prevent child access by always keeping guns locked away and unloaded when not in use. If you keep a loaded firearm where a child obtains and improperly uses it, you may be fined or sent to prison.



ADVERTENCIA

A los niños los atraen las armas de fuego y las pueden hacer funcionar. Ellos pueden causarse lesiones graves y la muerte. Evite que los niños tengan acceso a las armas de fuego guardándolas siempre con llave y descargadas cuando no las esté utilizando. Si usted tiene un arma de fuego cargada en un lugar en que un niño tiene acceso a ella y la usa indebidamente, le pueden dar una multa o enviarlo a la cárcel.



Savage Arms
The Definition of Accuracy

100 Springdale Road
Westfield, Massachusetts
USA 01085

248 Water Street
P.O. Box 1240
Lakefield, Ontario
CANADA K0L 2H0

752429 (11/04)

www.savagearms.com