

SIGARMS[®]

AURORA

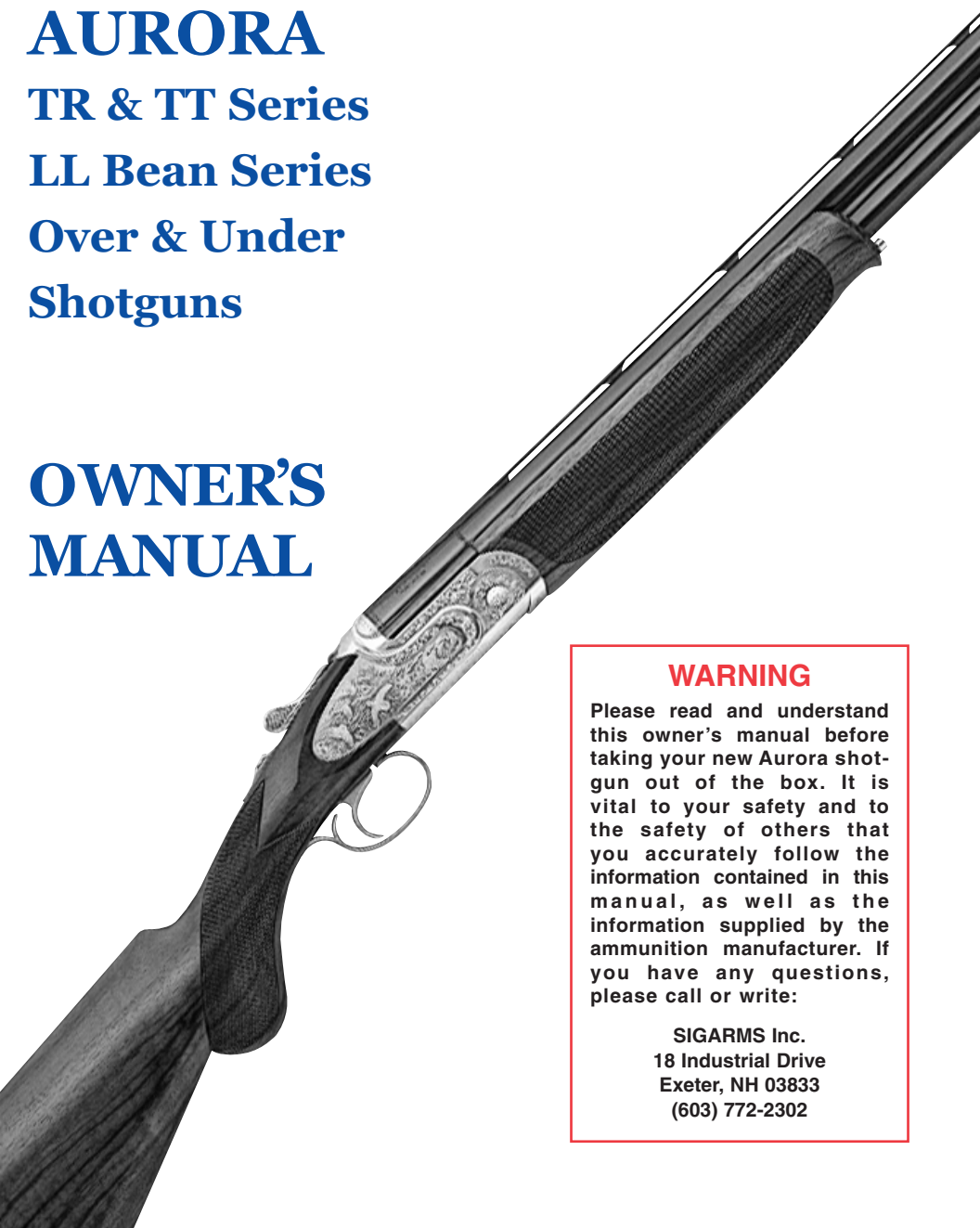
TR & TT Series

LL Bean Series

Over & Under

Shotguns

OWNER'S MANUAL



WARNING

Please read and understand this owner's manual before taking your new Aurora shotgun out of the box. It is vital to your safety and to the safety of others that you accurately follow the information contained in this manual, as well as the information supplied by the ammunition manufacturer. If you have any questions, please call or write:

SIGARMS Inc.
18 Industrial Drive
Exeter, NH 03833
(603) 772-2302

Firearms Safety is Your Responsibility

Shotguns are classified as FIREARMS and are sold by SIGARMS™ with the specific understanding that SIGARMS is not responsible in any manner whatsoever for their improper handling, use, or resale under local laws and regulations. SIGARMS shall not be responsible in any manner whatsoever for malfunctioning of the firearm, for physical injury or for property damage resulting in whole or part from (1) criminal or negligent discharge, (2) improper or careless handling, (3) unauthorized modification, (4) defective, improper, hand-loaded, or re-loaded ammunition, (5) corrosion, (6) neglect, or (7) other influences beyond our direct and immediate control. This limitation applies regardless of whether liability is asserted on the basis of contract, negligence or strict liability (including failure to warn). Under no circumstances shall SIGARMS be liable for incidental or consequential damages, such as loss of use of property, commercial loss and loss of earnings and profits.

Carelessness and ignorance cannot be tolerated when handling a firearm. Treat every firearm with respect and follow the safety rules outlined in this manual.

The logo for SIGARMS features the brand name in a bold, blue, italicized sans-serif font. A small red square is positioned above the letter 'I'. A registered trademark symbol (®) is located at the top right of the 'S'.

PRECISION FIREARMS

Contents

Page

Specifications	1
Important Shotgun Components	2
Safety Information	2
General Description	4
Principle Features	4
Ammunition	4
Assembly and Disassembly	6
Manual Safety and Barrel Selector Information	9
Interchangeable Chokes	10
Normal Operation (Loading)	11
Maintenance	12
Cleaning and Lubrication	12
Repair and Servicing	13
Ordering Parts	13
Returning Your Shotgun	14
Warranty Statement	15
Parts Diagram/Parts List	16

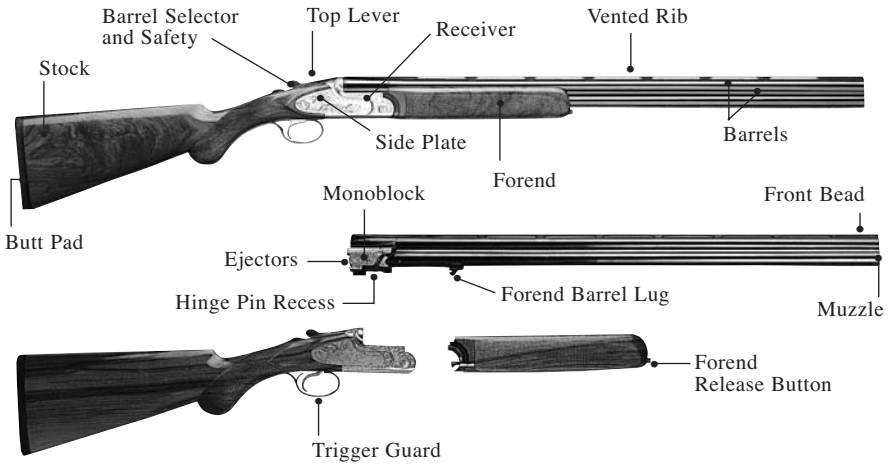
Specifications - SIGARMS™ Aurora Series

Model	Gauge				Gauge	Chamber	Chokes	Barrel Length	Length Overall	Length of Pull	Drop at Comb	Drop at Heel	Weight (approx.)
TR 40 Gold	12	20	28	.410	12 Ga.	3"	*	26/28	44/46	14-3/4"	1-1/2"	2-1/4"	7.25 lbs
TR 40 Silver	●	●	●	●	20 Ga.	3"	*	26/28	44/46	14-3/4"	1-1/2"	2-1/4"	6.30 lbs
TR 30	●	●	●	●	28 Ga.	2-3/4"	*	26/28	44/46	14-3/4"	1-1/2"	2-1/4"	5.95 lbs
TR 20	●	●	●	●									
TR 20U	●	●	●	●	.410	3"	*	26/28	44/46	14-3/4"	1-1/2"	2-1/4"	5.95 lbs
LL Bean	●	●	●	●									

	Gauge	Chamber	Chokes	Barrel Length	Length Overall	Length of Pull	Drop at Comb	Drop at Heel	Weight (approx.)
TT 25	12 Ga.	2-3/4"	**	28/30/32	46/48/50	14-3/4"	1-1/2"	2"	7.25 lbs
TT 25	20 Ga.	2-3/4"	**	28/30	46/48	14-3/4"	1-1/2"	2"	6.75 lbs
TT 45	12 Ga.	2-3/4"	**	28/30/32	46/48/50	14-3/4"	1-1/2"	2"	7.25 lbs
TT 45	20 Ga.	2-3/4"	**	28/30	46/48	14-3/4"	1-1/2"	2"	6.75 lbs

Approximate Weight and Length Overall based on guns with 28" barrels. Barrel lengths are approximate.
 *Interchangeable set of five Rizinni choke tubes. ** Interchangeable set of five Seminole choke tubes.
 Weights and stock dimensions may vary depending on wood densities and actual dimensions.

Important Shotgun Components



Important Safety Information

You are now the owner of one of the world's finest and most superbly engineered firearms. The **SIGARMS™ Aurora Series** has been designed and crafted to meet the requirements of the dedicated hunter and shooter. Used with the proper ammunition and with reasonable care and maintenance, your shotgun will serve you dependably for many years.

Safe Operation

To ensure the best performance and reliability from your firearm, please read and follow the procedures and **WARNINGS** outlined in this manual. These instructions were written for both right and left handed shooters. Always remember that you, the owner, are ultimately responsible for firearms safety. Please read and follow all the safety procedures outlined in this manual. This manual contains information you need to use your shotgun safely and effectively. If you have any questions or comments about this shotgun, its use and maintenance, or need more information about other SIGARMS products and accessories, please call or write SIGARMS Inc.

Important

The safest shotgun is one that is fully unloaded. This means that the safety is in the rearward (safe) position, the action is open, and the chambers have been checked visually to insure that a shotshell is NOT present.

The Commandments of Firearms Safety

ALWAYS keep the gun pointed in a safe direction.

ALWAYS keep your finger off the trigger until ready to shoot.

ALWAYS keep the gun unloaded until ready to use.

ALWAYS be sure the gun is safe to operate and the barrel is clear of any obstruction.

ALWAYS use proper, factory-made ammunition for your particular gun.

ALWAYS know your target and what is beyond it.

ALWAYS wear eye and ear protection when shooting.

ALWAYS store guns and ammunition in separate, locked containers so they are secure and not accessible to children or unauthorized persons.

ALWAYS treat every gun as if it were loaded, never rest a gun against a wall or fence.

NEVER use alcohol or drugs before or during handling of a gun.

NEVER bring a loaded firearm into a building.

NEVER transport a loaded firearm.

Manual Safety Mechanism

What you should know about manual safety mechanisms:

Never completely trust any manual safety mechanism. While your shotgun is equipped with an effective, well-designed safety mechanism, **NO SAFETY MECHANISM IS A SUBSTITUTE FOR PROPER GUN HANDLING**. Any safety mechanism can break down or malfunction. Even when the manual safety is “ON”, your firearm could fire when dropped. **YOU, AND YOU ALONE, ARE THE ULTIMATE SAFETY MECHANISM**.

YOU CAN MAKE A DIFFERENCE!

Teach other members of your family, especially children, safe gun handling.

Ignorance and carelessness are the major causes of gun related accidents.

Whenever possible attend a “Hunter Safety” course or “Firearms Safety” course in your area. This is an investment in your future. Encourage others to enroll with you.

General Description

The Aurora Series has been designed specifically to meet the stringent requirements of the hunting and shooting sports when used with ammunition of the correct gauge, length and pressure levels. It features a boxlock action secured by a strong underbolt that is released by the top lever. Completely opening the action cocks the hammers and causes the automatic ejectors to eject empty, fired shells. Firing can take place only when the action is completely closed and locked, the safety is moved to the fire position and the trigger is pulled sequentially for each barrel. The sequence of barrel firing is determined by a barrel selector button on the manual safety. Information on the normal operation of your new Aurora Series shotgun is contained on page 11 of this manual.

Principle Features Aurora Series

- Select high-grade walnut stock with rich satin oil finish.
- Extensive hand-checkering 20 lines per inch on butt stock and forend.
- Boxlock action machined from solid blocks of alloy steel, available in a variety of exquisite designs, finishes & engraving options.
- Rich, deep bluing on barrels (matte finish on TT models).
- Barrels feature hard chromed bores (5" forcing cones on TT models) ventilated rib and automatic ejectors.
- Strong, tapered bolt lock-up from one-piece bolt locking into deep recessed monoblock lugs.
- Available in 12, 20, 28 gauges & .410 bore (12 & 28 gauge on TT models).
- Single selective trigger, manual safety and barrel selector.
- Patented safety system (allows firing only when action is fully closed).

Ammunition

CALIFORNIA PROPOSITION 65 WARNING

Discharging firearms in poorly ventilated areas, cleaning firearms, or handling ammunition may result in exposure to lead and other substances known to cause birth defects, reproductive harm, and other serious physical injury. Have adequate ventilation at all times. Wash hands thoroughly after exposure.

Your Aurora Series shotgun will function safely and effectively with a wide variety of commercial, factory-loaded ammunition. Follow the instructions on page 5, to assure trouble-free performance and prevent ammunition-related problems.

Ammunition (continued)

1. Use only ammunition of the proper gauge and shell length. The TR models in 12 gauge, 20 gauge & .410 bore accept either 2-3/4" or 3" shells. The TR .28 gauge and TT models in 12 and 20 gauge accept 2-3/4" shells ONLY.

WARNING

DO NOT under any circumstances attempt to use a longer shell than that listed for your model. Serious personal injury may result.

2. DO NOT load shotshells that are smaller than the chamber rating. These shotshells can disappear from sight down the bore and create a dangerous barrel obstruction.

WARNING

The WRONG ammunition could destroy your shotgun and cause serious personal injury or death. If a shotgun shell is in the bore, do not attempt to shoot it out by using another shotgun shell. This can generate excessive pressure, damage the firearm and cause serious personal injury.

3. SIGARMS™ recommends the use of clean, commercial factory-loaded ammunition. Always use ammunition that complies with the performance standards established by the Sporting Arms and Ammunition Manufacturers' Institute, Inc. of the United States (SAAMI).

The use of shotshell ammunition which is not of standard dimension, proper gauge or which has not been loaded in accordance with SAAMI specifications can cause serious personal injury and damage your firearm.

CAUTION: For your safety, the safety of others and to avoid damage to the gun, beware of barrel obstructions. An obstruction, such as mud, snow, dirt or other foreign object, can increase pressure and cause damage to your gun and cause injury to you and to others. Before checking the barrel for an obstruction, make sure the safety mechanism is "ON". Open the action and make sure that the firearm is unloaded. After assuring yourself that the firearm is completely empty, look through the chambers (do not look down the muzzle). If any obstruction at all is detected, clean the barrels as described in the "Cleaning and Lubrication" section of this manual on page 12.

Assembly and Disassembly

WARNING

Be sure to wear eye protection prior to performing any assembly or disassembly.

Before assembly, be sure to clean all parts of any visible debris or dirt. After wiping the mechanism clean, place a thin film of a quality high-pressure gun grease on the following surfaces (See Figures 1A, 1B, and 1C):

- 1A) The forearm bracket.
- 1B) Barrel lug, hinge pin bearing surface and ejector slide.
- 1C) Hinge pin, cocking lever and locking bolt.

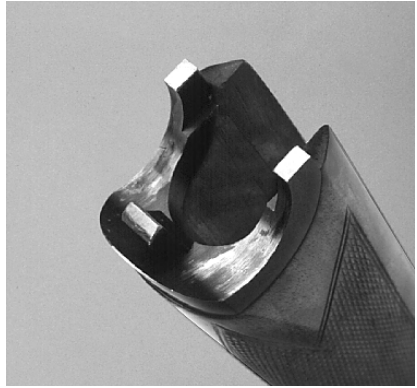


Figure 1A

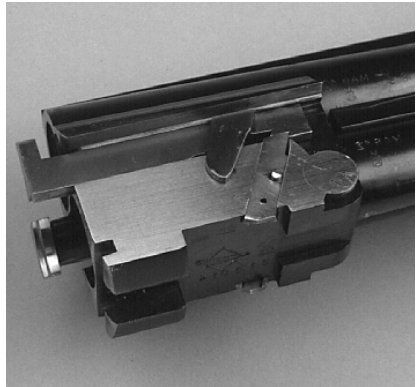


Figure 1B

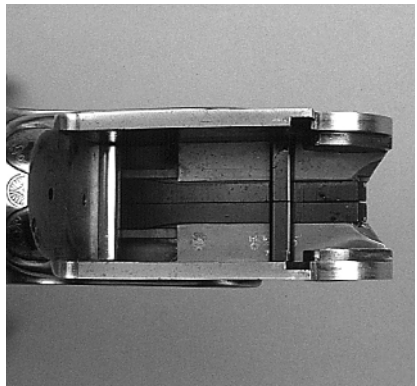


Figure 1C

To Assemble

Attaching the barrel to the frame:

1. Grasp the butt stock at the pistol grip and push the top lever to the right until it locks, with your thumb. (See Figure 1.)
2. Grasp the barrel assembly and align it parallel to the action with the muzzle end pointed downward at an approximate 45-degree angle.
3. Insert the barrel monoblock into the frame so that the circular pivot pin recesses engage the circular pivot pins at the front of the frame. (See Figure 2.)
4. When the pin recesses are snugly engaged in the frame pivot pins, rotate the barrels upward until the action is completely closed and the top lever snaps back to its closed position. (See Figure 3.)

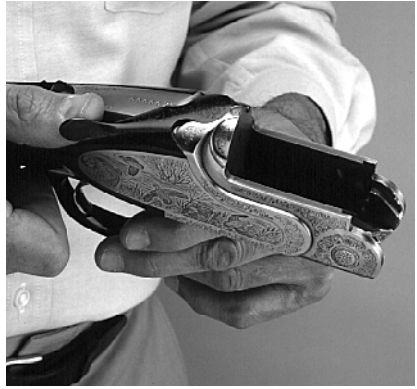


Figure 1

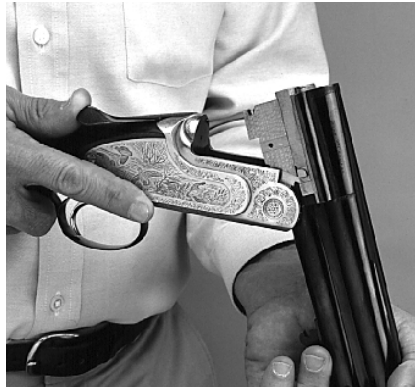


Figure 2



Figure 3

Attaching the forend:

1. Hold the shotgun at the pistol grip, take the forend and slide the rear, semi-circular end into and against the matching curved section of the frame. (See Figure 4.)
2. Applying rearward pressure and pressing in the forend release button, push the forend upward against the barrels until the forend release button snaps outward into the locked position. (See Figure 5.)



Figure 4



Figure 5

To Disassemble

1. **Before disassembling, be sure that the chambers are empty and the shotgun is unloaded.**
2. Push in the forend release button to unlock and remove the forend.
3. While pushing the top lever to the right, rotate the barrels downward until the monoblock pivot pin recesses can slide out of the matching internal pivot pins.

Manual Safety Operation

1. The safety mechanism on your Aurora Series shotgun functions as both a safety and barrel selector. It is located on the action tang immediately in back of the top lever.
2. To engage the safety mechanism, place your thumb on the safety and move it rearward towards the butt. When it is in the correct, “safe” position, you will see the letter “S” fully exposed on the tang directly in front of the top edge of the safety. (See Figure 6.) When the letter “S” is fully exposed the safety is “ON”.



Figure 6

3. To take the gun off safe, place your thumb on the safety and push it forward until it covers the letter “S”. The gun is now ready to fire.

WARNING

REMEMBER that the safety mechanism is not a substitute for safe gun handling. Always keep the gun pointed in a safe direction even when the safety is engaged, to avoid serious injury to you or others.

WARNING

If the safety mechanism becomes loose or difficult to operate, unload the firearm and return it to SIGARMS™ immediately for service.

Barrel Selector Operation

1. The barrel selector consists of a button in the middle of the safety. Pushing the button to the right, exposing two red dots, will cause the top barrel to fire first.
2. Pushing the button to the left, exposing one red dot, will cause the bottom barrel to fire first.
3. The action is recoil-operated. This means that a shell must be fired from the first selected barrel before the gun will fire a shell chambered in the second barrel.

Proper Use of Interchangeable Chokes

1. Your Aurora Series shotgun is equipped with five interchangeable choke tubes, and wrench: full (1), improved modified (2), modified (3), improved cylinder (4) and cylinder (0) choke constrictions. (See Figure 7.) These choke constrictions can be identified by the notches on their exposed ends. The number in parentheses after each choke designation above indicates the number of notches identifying that constriction.



Figure 7

WARNING

Before removing, inserting or changing choke tubes, always check to make sure that the gun is unloaded and that the safety is “ON”. Never position your head, hands or face over the end of the barrel when changing choke tubes.

2. To remove a choke tube, insert the metal end of the choke tube wrench into the end of the barrel so that the four lugs of the wrench engage the matching recesses on the top of the choke tube. Turn the wrench counter-clockwise to remove the choke tube.
3. Before inserting a choke tube, be sure it is clean of any dirt or grime. Then insert it into the muzzle with the threaded end last, engage the choke tube wrench and turn it in a clockwise direction to insert and tighten the choke tube, until it seats snugly and is flush with the end of the barrel. Do not use excessive pressure to tighten.
4. If you encounter resistance in seating the choke tube, take it back out, clean it thoroughly and clean the internal barrel threads with the nylon thread-cleaning end of the choke wrench.
5. Seminole competition choke tubes are provided with TT Series shotguns. These choke tubes have a knurled end that allow the user to screw the tube into the barrel. The tubes should be snug (finger tight) when installed. Constrictions are identified by color bands on each tube - match the correct color with the guide found on the choke tube storage box.
6. Never fire the shotgun without having the chokes completely installed. Doing so could damage your barrel, the internal threads or the choke (which would not be covered under your warranty), and cause personal injury.

Normal Operation

Before attempting to shoot your Aurora Series shotgun, be sure that it is correctly assembled, that choke tubes are correctly and snugly installed, and the barrel is free of obstructions.

Loading:

1. To load your Aurora Series shotgun, set the safety switch to “ON” (SAFE) and set the barrel selector button to the barrel you wish to fire first.
2. Unlock the action by pushing the top lever to the right and open it by putting downward pressure on the barrels.
3. When loading, always point the barrels in a safe direction. Insert one or two shotshells. If you are loading just one shotshell, make sure the barrel selector is positioned to fire that barrel.
4. Keeping your finger off the trigger, close the action by exerting upward pressure on the barrels until the top lever snaps back into the locked position.
5. Keep the safety in the rear, “ON” (SAFE) position until you are ready to fire, then push it forward to “OFF” (FIRE).
6. If you pull the trigger and the gun does not fire, keep it pointed in a safe direction and wait 30 seconds. Then, open the action carefully, remove and examine the loaded shotshells. If the shotshell primer is dented but did not fire, do not reuse the shotshell. If the primer is not dented, check to see if the barrel selector is set correctly for the proper barrel. If the firearm still fails to fire, contact SIGARMS™.
7. If you experience a light or “squib” load, always check to make sure the barrels are clear of any obstruction before reloading.
8. After firing, push the top lever to the right and open the action all the way until the automatic ejectors eject the one or two fired shotshells.
9. If you do not reload immediately, are leaving a hunting field, or walking off a clay target stand, leave the action visibly open for both your safety and the well-being of your shooting companions.

Maintenance

Your Aurora Series shotgun represents a wise investment in an extremely high quality, finely-crafted shooting companion. Regular, routine maintenance procedures will help protect and preserve that investment for a lifetime of pleasurable, reliable use. **Firearms maintenance is your responsibility.**

Cleaning and Lubrication

Be sure your gun is unloaded!

After each use, your Aurora Series shotgun should be disassembled, cleaned and re-lubricated before being returned to its storage place.

Disassemble your shotgun into its three basic parts: buttstock and receiver frame, barrel assembly and forend assembly; as described in more detail below.

Wipe off any visible dirt and grime from all parts with a clean, soft cloth.

Butt Stock and Receiver Frame:

1. Using only products specifically designed for cleaning firearms, remove all accumulated dirt and powder residue from the inside of the receiver frame. Be sure to read and follow the manufacturer's instructions on the proper use of these products and the specific finishes on which they are to be used.
2. When the inside of the frame is clean, lightly coat it with a quality gun oil preservative, wiping off excess with a clean cloth.
3. Place a thin film of high-pressure gun grease around the internal pivot pins and on the front, curved frame surfaces that mate with the forend.
4. Coat all metal surfaces with a quality gun oil preservative, wiping off any excess with a clean cloth.
5. Remove any accumulation of dirt or other debris from the butt stock with a clean cloth.

Barrel Assembly:

1. After each use, run a swab or bronze brush of the correct gauge through the barrels from the breach end to remove any powder residue. If any evidence of powder, lead or plastic remains, use a quality grade bore cleaner with a bronze brush. Then remove the loosened fouling with a swab or gun bore patches. Finally, apply a thin film of quality gun oil preservative on the entire bore surfaces.

Note: Never clean, store or transport your firearm without the choke tubes installed.

2. Periodically remove and clean the choke tubes. Place a light film of gun grease on the threads. Clean the internal threads with the nylon thread-cleaning end of the choke tube wrench.
3. Remove any residue from the exposed monoblock section including pivot pin recesses and the ejector assembly. Then lightly coat these parts with a quality gun oil preservative, wiping off any excess with a clean cloth.
4. Place a thin film of high-pressure gun grease on the inside of the pivot pin recesses.
5. Coat the entire outer surface of the barrels with a quality gun oil preservative and wipe off any excess. **Note:** Do not over lubricate any parts of your firearm.

Forend Assembly:

1. Clean off any dirt or powder residue from the metal parts.
2. Coat the metal parts with a thin film of quality gun oil.
3. Wipe off forend with a clean dry cloth.

Repair and Servicing

Although your Aurora Series shotgun has been precision manufactured and assembled from the highest quality materials, there is always the possibility of damage or the need for servicing and/or parts replacement. If you suspect your shotgun might be damaged, or if you ever experience any malfunction or notice any looseness in the action of your shotgun, stop using it immediately. Return it to SIGARMS™ for inspection and any necessary repair.

Ordering Parts

Before you order any parts, please be advised that, while most gunsmiths may be perfectly capable of repairing your shotgun, we do not vouch for any individual's skill or workmanship. Remember, unauthorized adjustments or parts replacement can void your service warranty. Your Aurora Series shotgun is a precision instrument and replacement parts require a trained gunsmith to ensure proper installation and operation. Remember to always specify the model and serial number of your shotgun when ordering parts. The most sensible decision you can make if your shotgun needs servicing is to simply return it to the SIGARMS Service Department.

Serial Number:

The serial number of your new Aurora Series shotgun is located on the top of the receiver tang, under the top lever in the closed position. Record the serial number here for future reference. Aurora Serial # _____

Returning Your Shotgun

When you return a shotgun to the SIGARMS™ Service Department, here's what to do:

- Make sure that the shotgun is unloaded and that no ammunition is included.
- Package the shotgun securely to prevent damage, preferably in its original shipping case if available.
- Enclose a letter with your name, complete address, daytime phone number, shotgun model and serial number and a detailed explanation of the problem you have encountered or the work you want performed. If repairs are requested under warranty, enclose a copy of the original sales receipt.
- Generally, an individual may ship a shotgun to the manufacturer for repair or service. Some states or localities, however, may prohibit this. If such regulations apply to you, your shotgun must be shipped by and returned to a Federally Licensed Firearms Dealer. **NOTE:** Any shipment of firearms outside of the borders of the United States is subject to the valid laws of that specific country, which you must strictly follow.
- Ship your shotgun insured and prepaid (we cannot accept collect shipments) to:

SIGARMS Inc.
Attention: Service Department
18 Industrial Drive
Exeter, NH 03833
(603) 772-2302

This instruction manual should always accompany this shotgun and be transferred with it upon change of ownership.

**SIGARMS CANNOT BE RESPONSIBLE FOR
THE FUNCTIONING AND SAFETY OF
ANY FIREARM WHICH HAS BEEN ALTERED
OR CHANGED FROM THE ORIGINAL
FACTORY SPECIFICATIONS.**

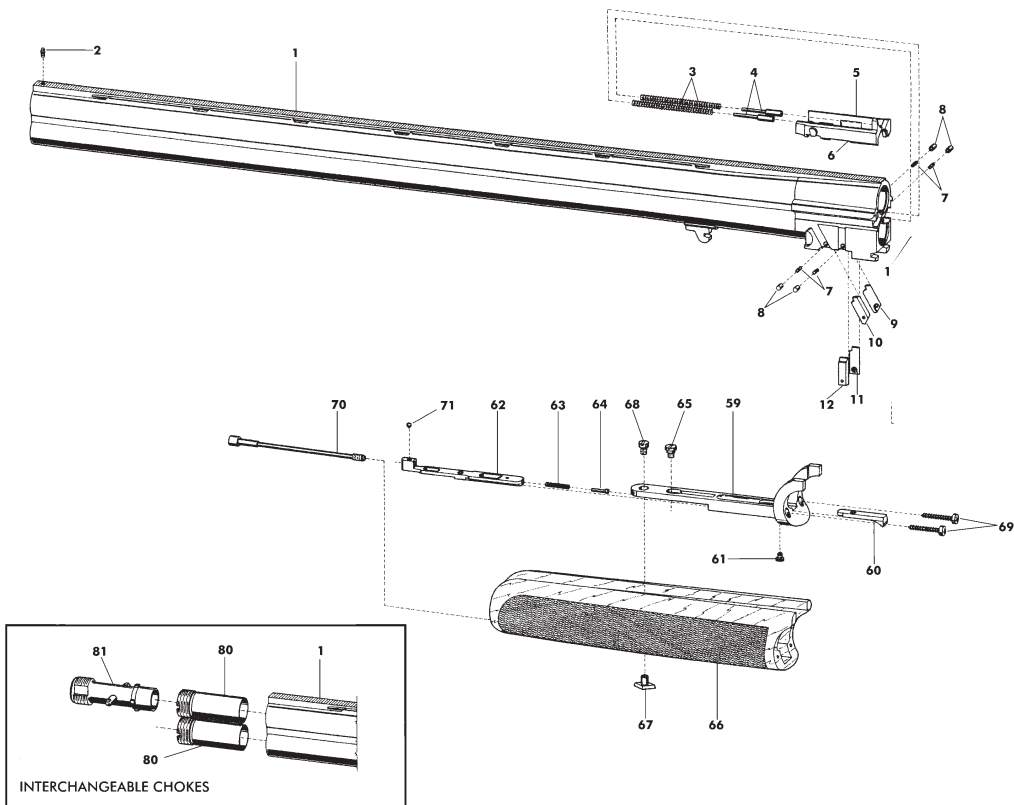
Warranty Statement

Based on the Magnuson-Moss Warranty Act, SIGARMS™ offers no express warranty on their product line. However, SIGARMS recognizes its obligations concerning service to owners of SIGARMS products.

SIGARMS stands behind its products and will continue to provide service to its product line as they have over the years. SIGARMS products will be serviced for a period of one year from the date of retail purchase, for defects in materials or workmanship, at no charge to the purchaser. **This warranty is void if the firearm has been abused, misused, damaged by accident, fired with improperly loaded ammunition or with an obstruction in the barrels, or damaged by failure to provide reasonable and necessary maintenance. This warranty does not apply to normal wear of any parts, including metal, wood, plastic, rubber and other material's surface finish if unauthorized repair and alteration has been performed. Be sure to retain your sales slip as proof of purchase date when making a claim.**

If you have questions concerning the performance or servicing of your shotgun, please, call or write directly to:

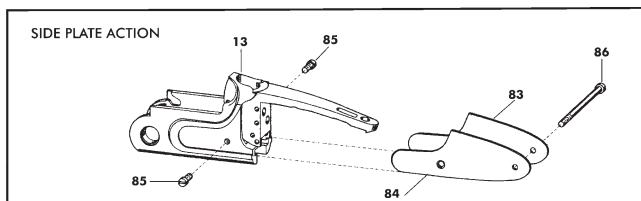
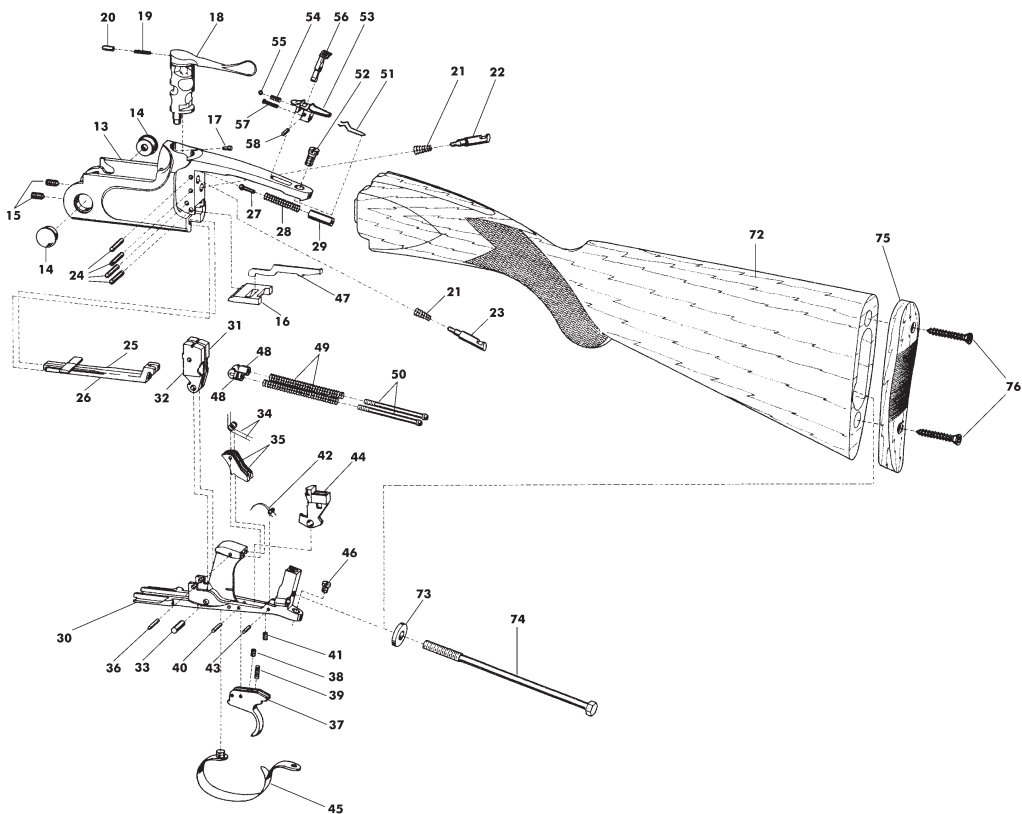
**SIGARMS Inc.
Attention: Service Department
18 Industrial Drive
Exeter, NH 03833
(603) 772-2302**



- 1 - BARREL
- 2 - SIGHT
- 3 - EJECTOR SPRING
- 4 - EJECTOR SPRING GUIDE
- 5 - RIGHT-HAND EJECTOR
- 6 - LEFT-HAND EJECTOR
- 7 - EJECTOR PLATE SPRING SPRING
- 8 - EJECTOR PLATE SPRING GUIDE
- 9 - EJECTOR CATCH PLATE, RIGHT
- 10 - EJECTOR CATCH PLATE, LEFT
- 11 - EJECTOR RETAINING PLATE, RIGHT
- 12 - EJECTOR RETAINING PLATE, LEFT
- 13 - EJECTOR ACTION
- 14 - HINGE PIN PLUG
- 15 - HINGE PIN PLUG SCREW
- 16 - LOCKING LATCH
- 17 - TOP LEVEL RETAINING AND RECOIL PIN

- 18 - TOP LEVER
- 19 - TOP LEVER RETAINING SPRING
- 20 - TOP LEVER RETAINING PIN
- 21 - FIRING PIN SPRING
- 22 - FIRING PIN, RIGHT
- 23 - FIRING PIN, LEFT
- 24 - FIRING-PIN AND TRIGGER-PLATE TOP LEVER PIN
- 25 - EJECTOR COCKING LEVER, RIGHT
- 26 - EJECTOR COCKING LEVER, LEFT
- 27 - TOP LEVER RECOIL SPRING PIN
- 28 - TOP LEVER RECOIL SPRING
- 29 - TOP LEVER RECOIL SPRING-GUIDE, CYLINDRICAL
- 30 - TRIGGER PLATE
- 31 - RIGHT-HAND HAMMER
- 32 - LEFT-HAND HAMMER
- 33 - HAMMER PIN

- 34 - SEAR SPRING
- 35 - SINGLE TRIGGER SEAR
- 36 - SEAR PIN
- 37 - SINGLE TRIGGER
- 38 - TRIGGER SCREW
- 39 - TRIGGER RECOIL SPRING
- 40 - TRIGGER PIN
- 41 - TRIGGER ADJUSTING SCREW
- 42 - TRIGGER AND INERTIA BLOCK RECOIL SPRING
- 43 - INERTIA BLOCK SPRING PIN
- 44 - SINGLE TRIGGER INERTIA BLOCK
- 45 - SINGLE TRIGGER GUARD
- 46 - TRIGGER GUARD SCREW
- 47 - SAFETY ROD
- 48 - HAMMER SPRING TIGHTENING RING
- 49 - HAMMER SPRING
- 50 - HAMMER SPRING GUIDE



- 51 - SAFETY SPRING
- 52 - TRIGGER PLATE SCREW
- 53 - SELECTIVE SAFETY FRAME
- 54 - SELECTOR BALL SPRING
- 55 - SELECTOR BALL
- 56 - SINGLE TRIGGER SELECTOR
- 57 - SELECTOR PIN
- 58 - SAFETY RETAINING PIN
- 59 - FORE-END IRON
- 60 - COCKING PIECE
- 61 - COCKING PIECE SCREW
- 62 - FORE-END IRON CATCH, BUTTON-SHAPED
- 63 - FORE-END IRON CATCH SPRING
- 64 - FORE-END IRON CATCH SPRING PIN
- 65 - FORE-END IRON CATCH SCREW
- 66 - FORE-END
- 67 - FORE-END IRON WASHER

- 68 - FORE-END IRON SCREW, FRONT
- 69 - FORE-END IRON SCREW, REAR
- 70 - FORE-END IRON CATCH BUTTON
- 71 - FORE-END IRON CATCH BUTTON SCREW
- 72 - STOCK
- 73 - STOCK BOLT WASHER
- 74 - STOCK BOLT
- 75 - BUTT PLATE
- 76 - BUTT PLATE SCREW

- 85 - SIDE PLATE SCREW, FRONT
- 86 - SIDE PLATE SCREW, REAR

- 80 - CHOKE
- 81 - CHOKE WRENCH
- 83 - DUMMY SIDE PLATE, RIGHT
- 84 - DUMMY SIDE PLATE, LEFT

IMPORTANT:

**Do not discard. Keep this manual with your firearm.
Upon change of ownership, transfer this manual
with the firearm.**



SIGARMS®

SIGARMS Inc.

18 Industrial Drive, Exeter, NH 03833
Ph: (603) 772-2302 Fax: (603) 772-9082
www.sigarms.com