

[54] **HIGH VOLUME AUTOMATIC AND SEMI-AUTOMATIC FIREARM**

[76] **Inventor:** John Trevor, Jr., 11432 SW. 113 Pl., Miami, Fla. 33176

[21] **Appl. No.:** 294,410

[22] **Filed:** Jan. 9, 1989

[51] **Int. Cl.<sup>5</sup>** ..... F41D 5/04; F41D 11/02; F41D 11/04

[52] **U.S. Cl.** ..... 89/191.02; 89/185; 89/191.01

[58] **Field of Search** ..... 89/191.02, 191.01, 185

[56] **References Cited**

**U.S. PATENT DOCUMENTS**

2,231,978	2/1941	Wesson	42/18
3,566,745	3/1971	Jauch et al.	89/187.01
3,738,219	6/1973	Febres	89/1.703
3,776,095	12/1973	Atchisson	89/128
3,782,021	1/1974	Atchisson	42/1.05
3,850,076	11/1974	Atchisson	89/196
3,901,125	8/1975	Raville	89/163
3,942,277	3/1976	Atchisson	42/25
3,942,410	3/1976	Atchisson	89/139
3,964,173	6/1976	Atchisson	33/254
3,964,366	6/1976	Atchisson	89/148
3,999,461	12/1976	Johnson et al.	89/191.01

4,057,003	11/1977	Atchisson	89/138
4,128,042	12/1978	Atchisson	89/138
4,169,329	10/1979	Atchisson	42/16
4,201,113	5/1980	Seecamp	89/199
4,297,800	11/1981	Atchisson	42/49.01
4,358,986	11/1982	Giorgio	89/142
4,426,802	1/1984	Walker	42/59
4,502,367	3/1985	Sullivan	89/199
4,553,469	11/1985	Atchisson	89/191.02
4,569,270	2/1986	Timari	89/199
4,654,993	4/1987	Atchisson	42/71.01
4,655,118	4/1987	Bruderer et al.	89/185
4,693,170	9/1987	Atchisson	89/149
4,704,945	11/1987	Marcon et al.	89/185

*Primary Examiner*—David H. Brown

*Attorney, Agent, or Firm*—Fisher, Christen & Sabol

[57] **ABSTRACT**

This invention relates to a shotgun which has low felt recoil, a reliable loading of blunt nosed shells and which can fire a high number of rounds per minute. More particularly, this invention relates to an automatic or semi-automatic shotgun which has a low felt recoil but yet reliably can be fired at a high rate using a variety of blunt nosed shells.

**17 Claims, 8 Drawing Sheets**

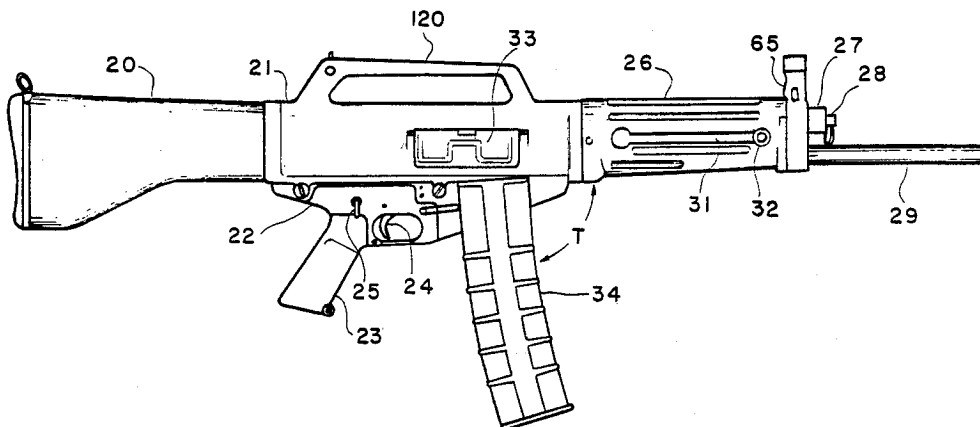


FIG. 1

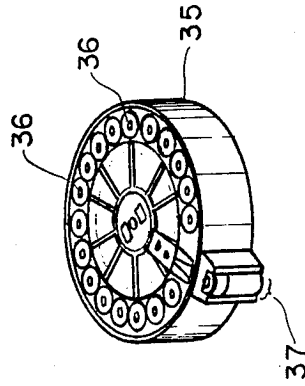
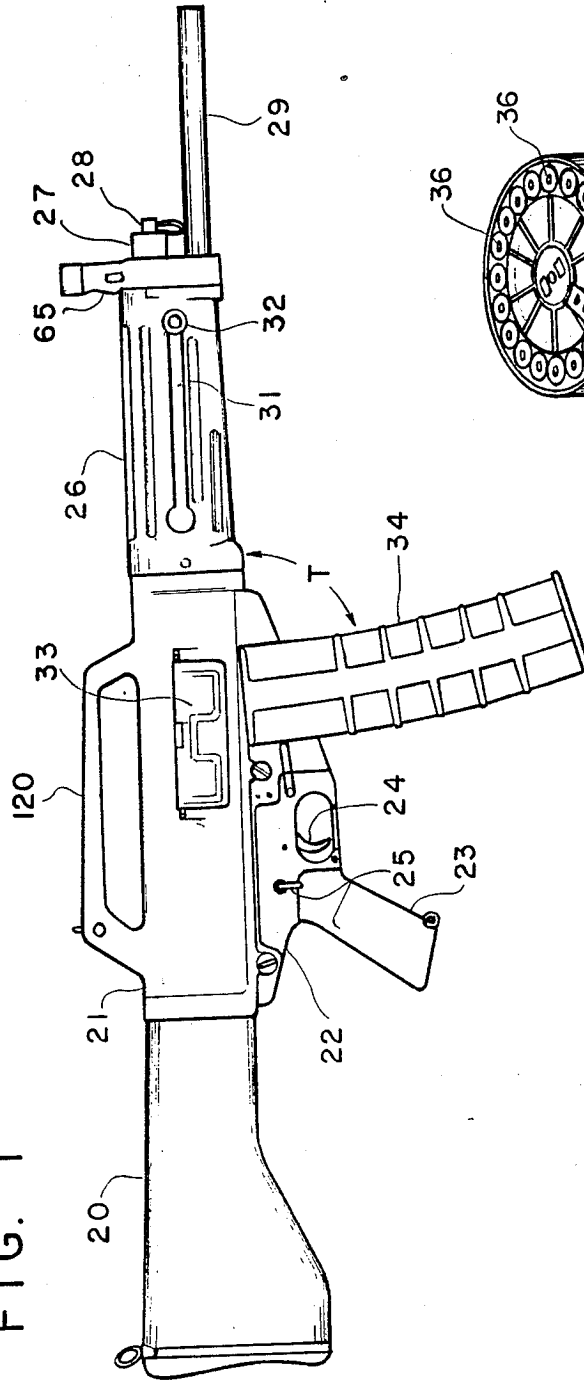


FIG. 1a

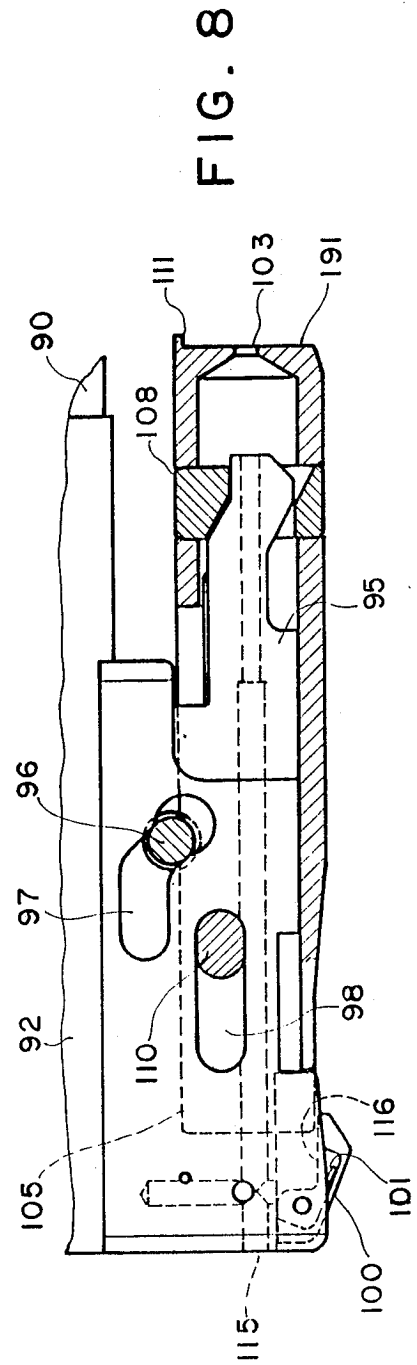
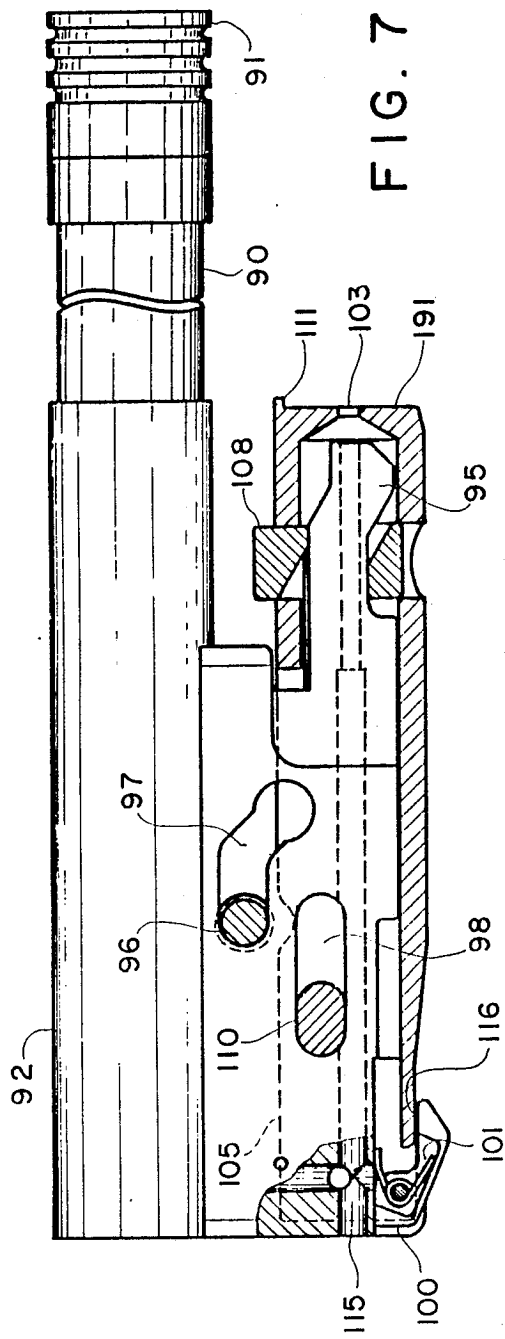
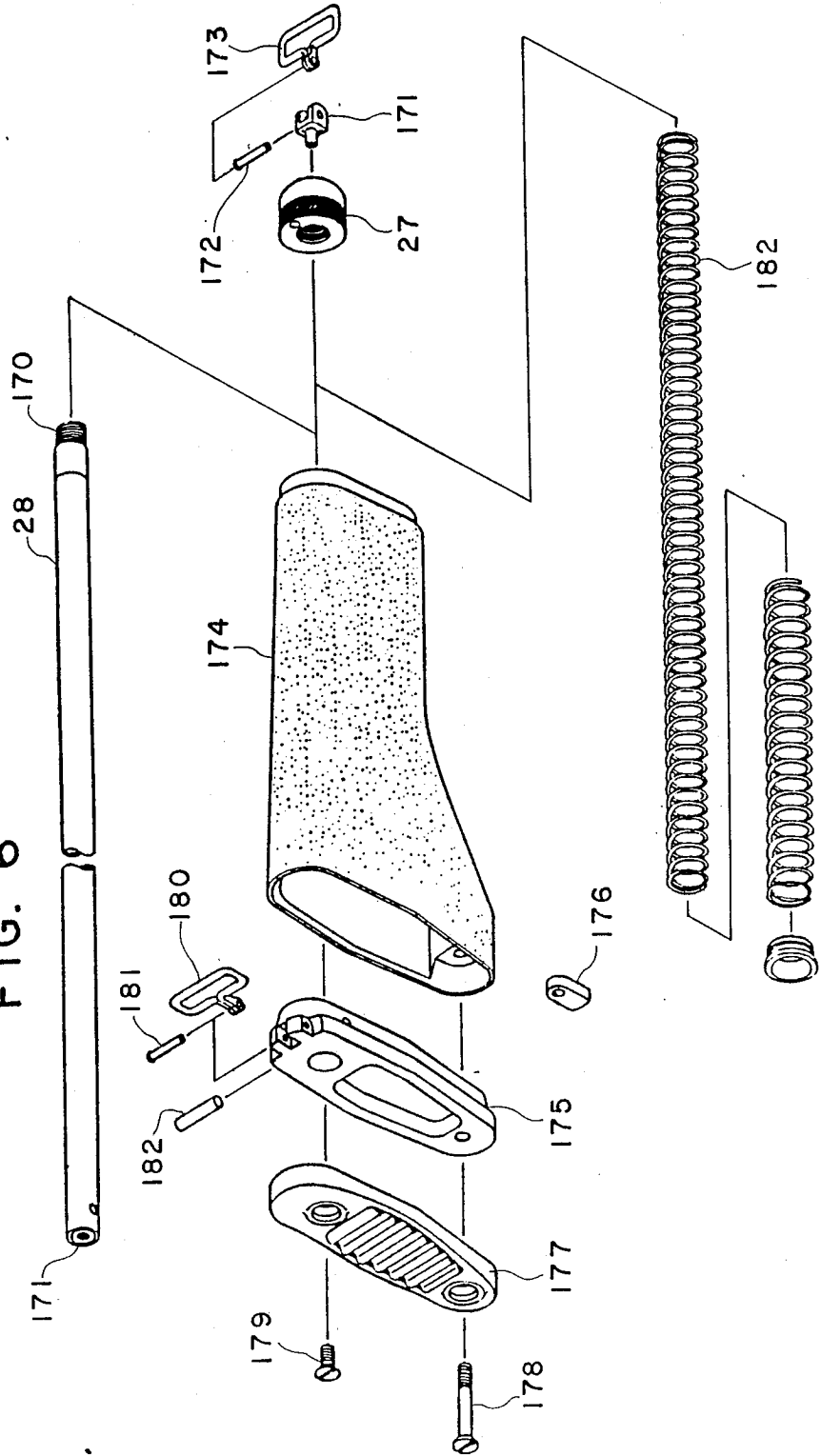


FIG. 6



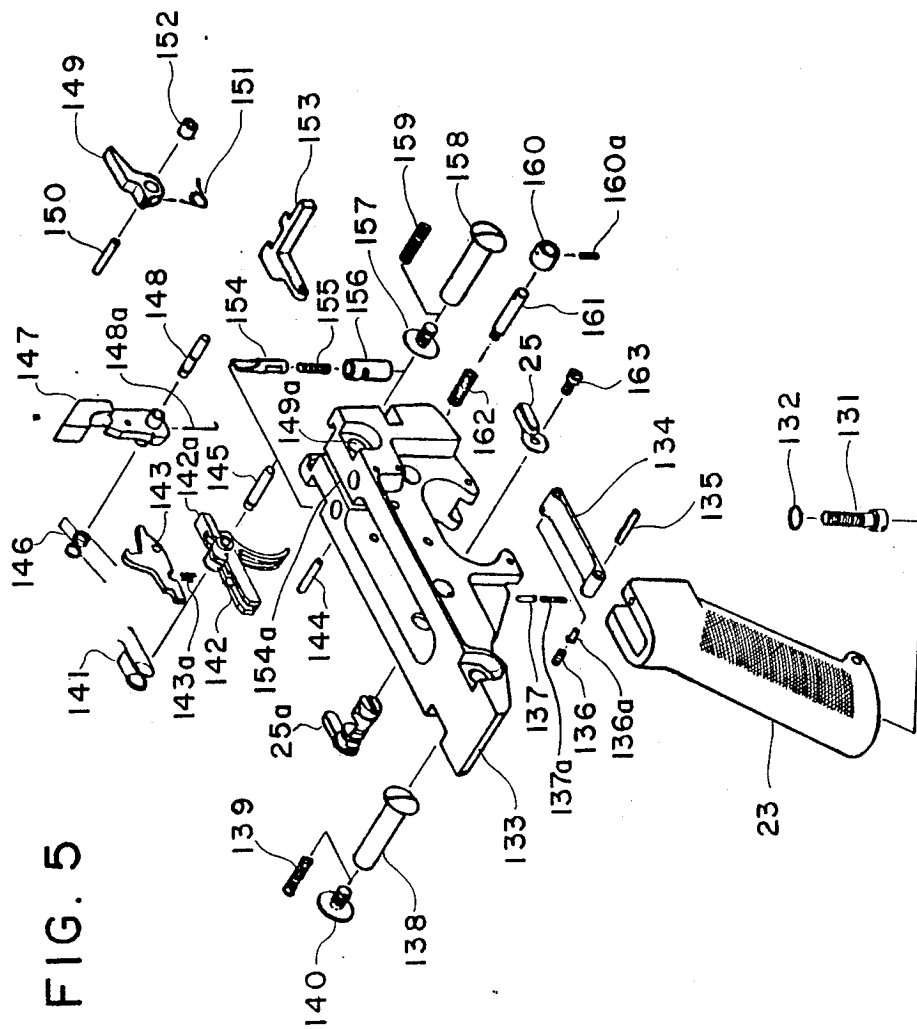


FIG. 5

FIG. 4

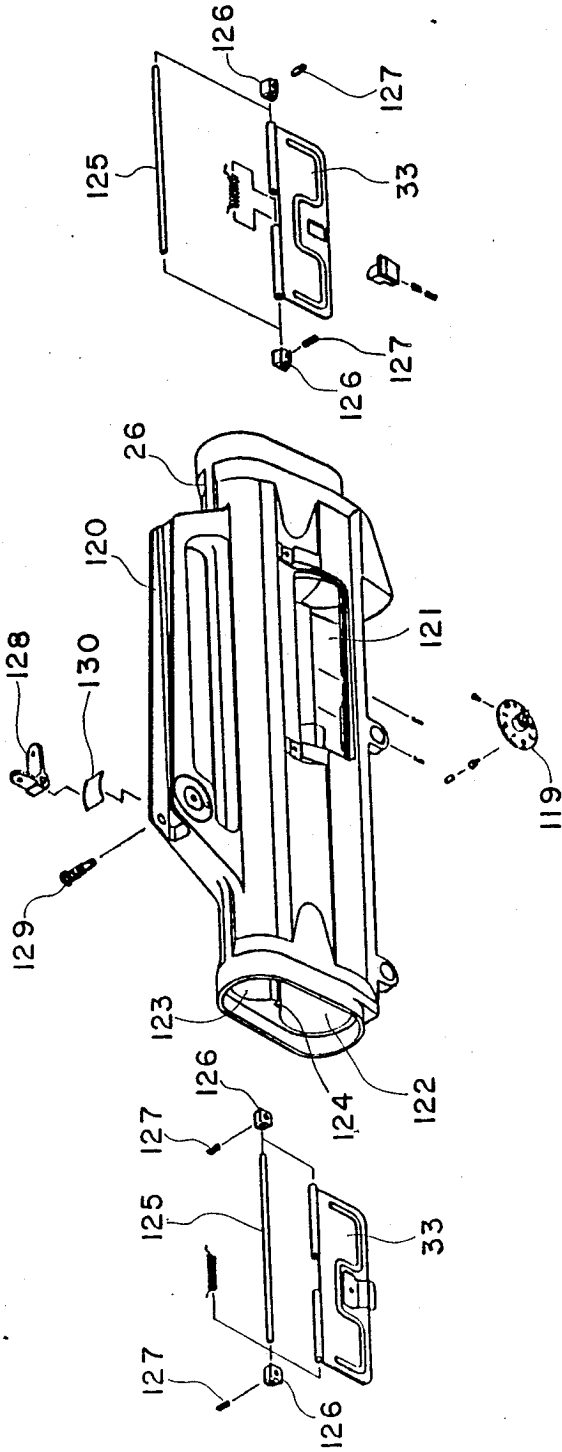


FIG. 3

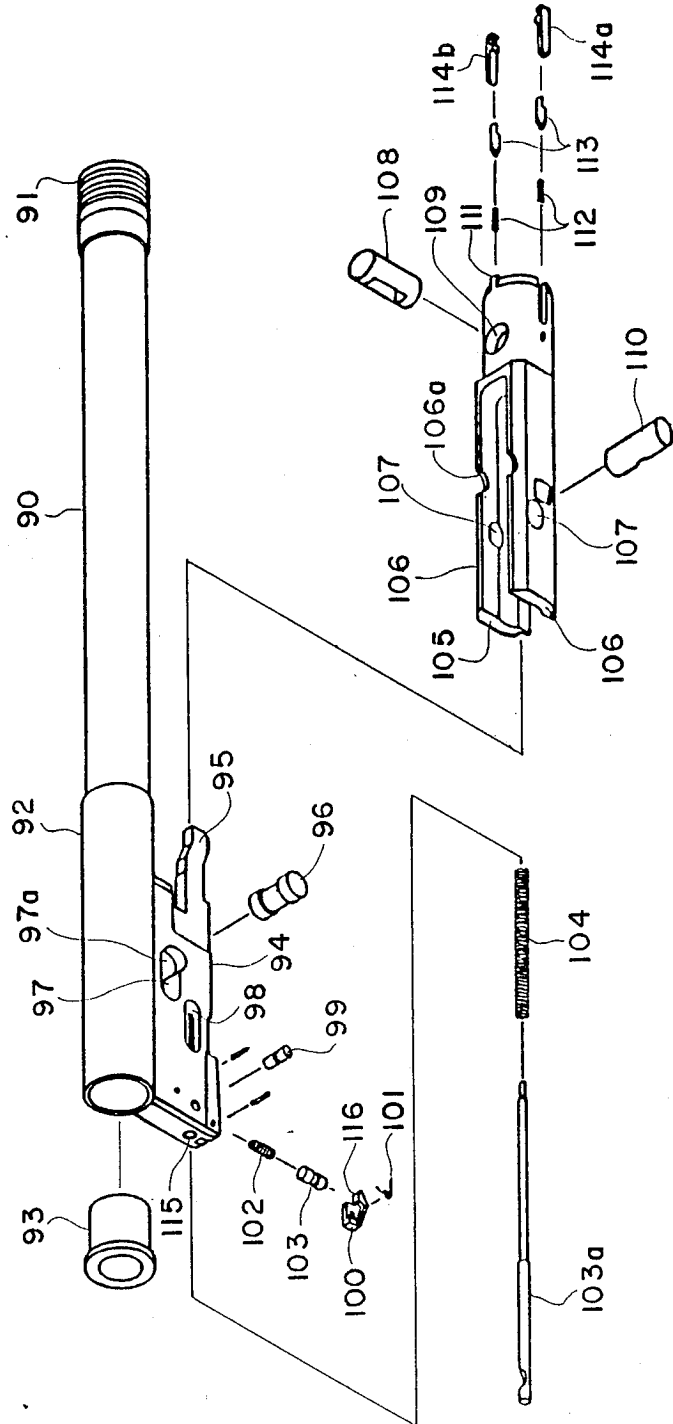
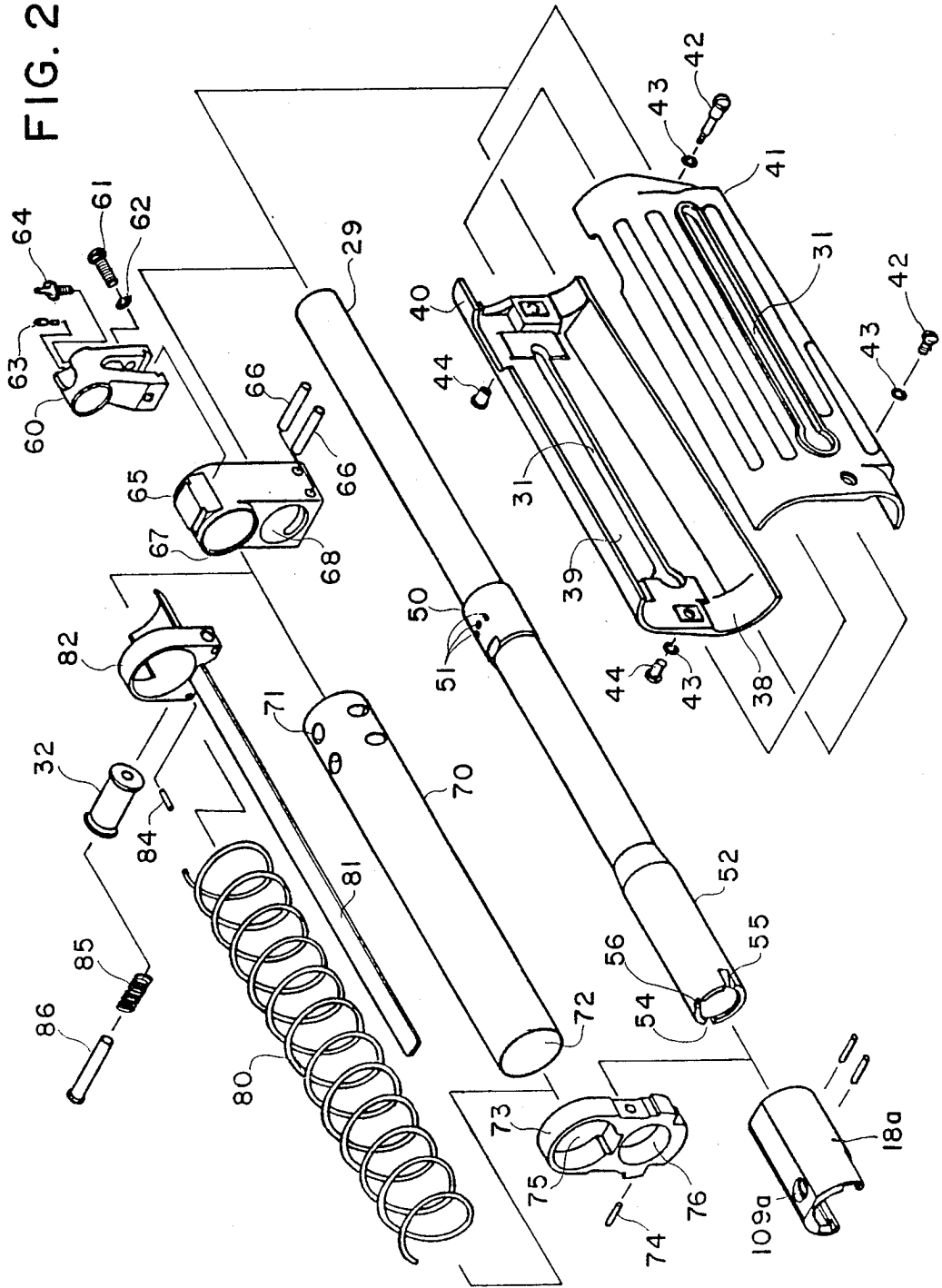


FIG. 2





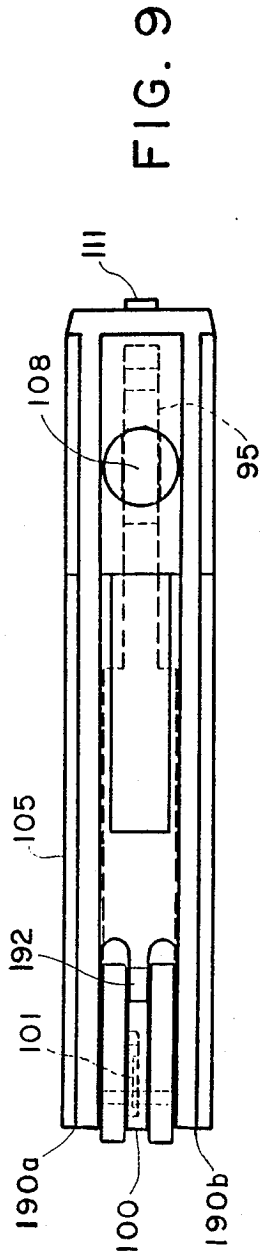


FIG. 9

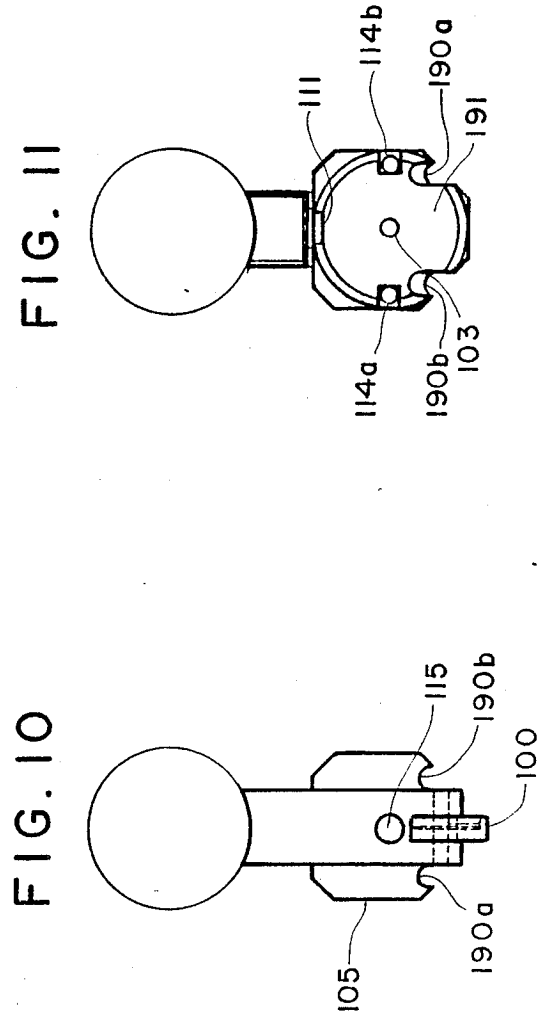


FIG. 11

FIG. 10