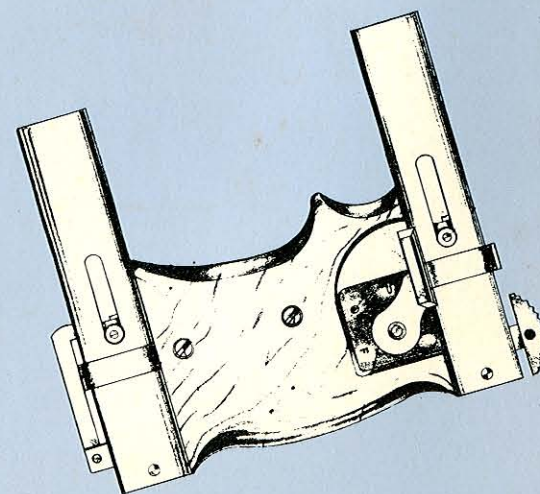
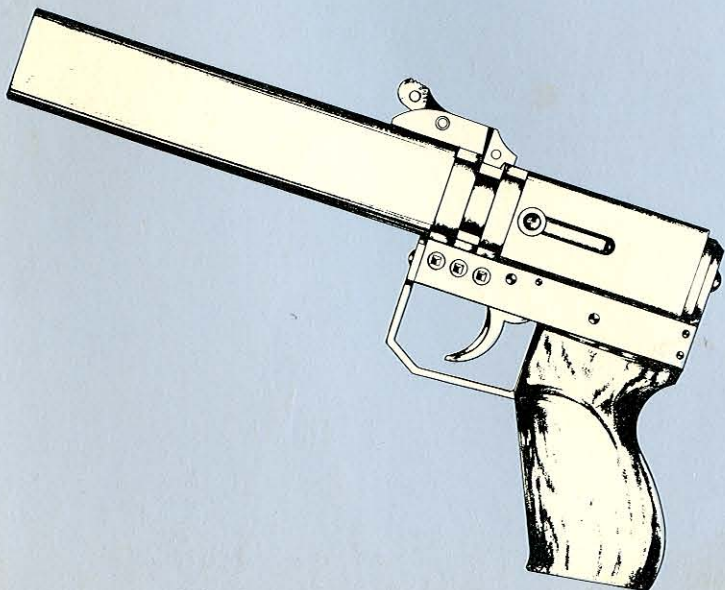
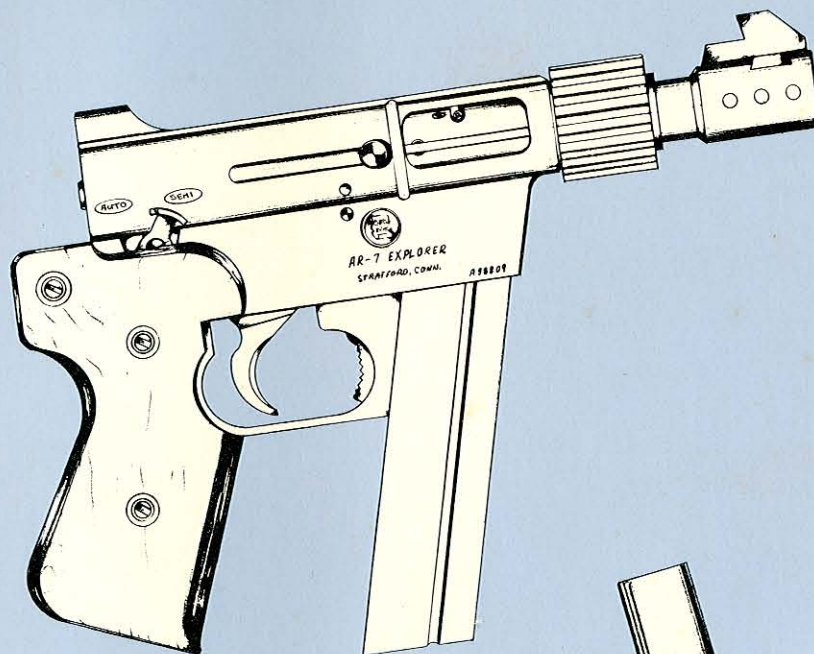
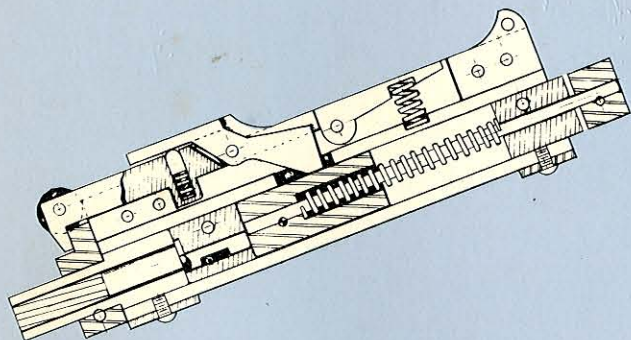
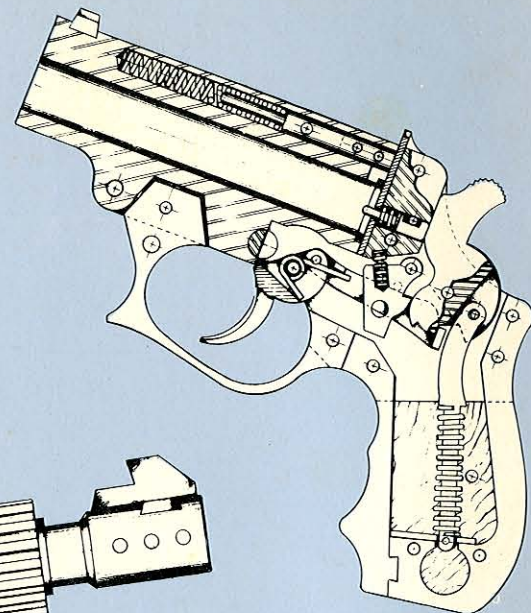


AUTOMATIC AND CONCEALABLE FIREARMS DESIGN BOOK, VOLUME I



**Automatic & Concealable
Firearms Design Book,
Volume I**

**Automatic & Concealable
Firearms Design Book,
Volume I**

by the Editors of Paladin Press books

Automatic and Concealable Firearms Design Book, Volume I
Copyright 1979 by Paladin Press

ISBN 0-87364-165-5
Printed in the United States of America

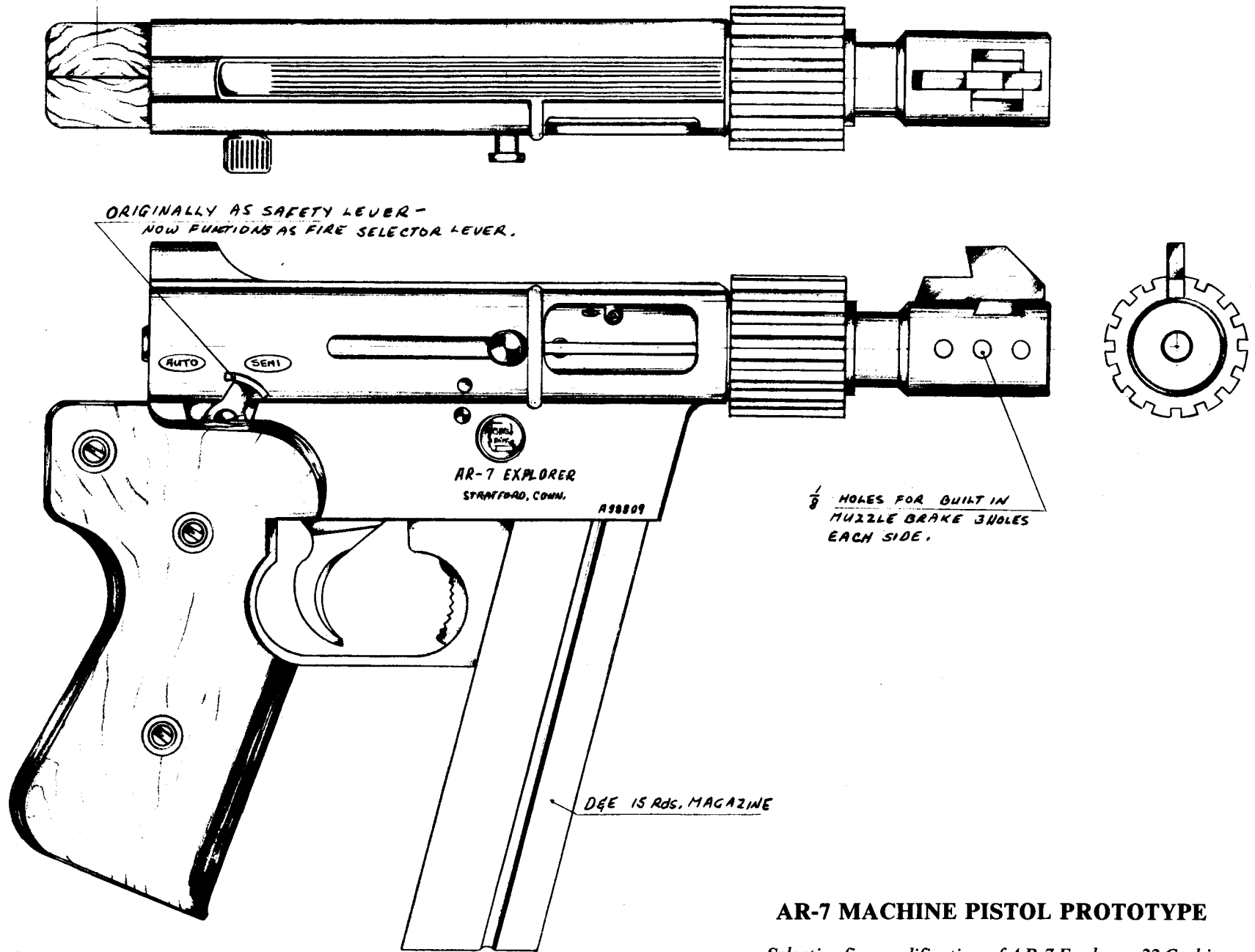
All rights reserved. Except for use in a review, no
portion of this book may be reproduced in any form without
the express written permission of the publisher and the author.
Direct all inquiries and/or orders to the address listed below.

Published by Paladin Press, a division of
Paladin Enterprises, Inc., P.O. Box 1307,
Boulder, Colorado 80306 (303) 443-7250

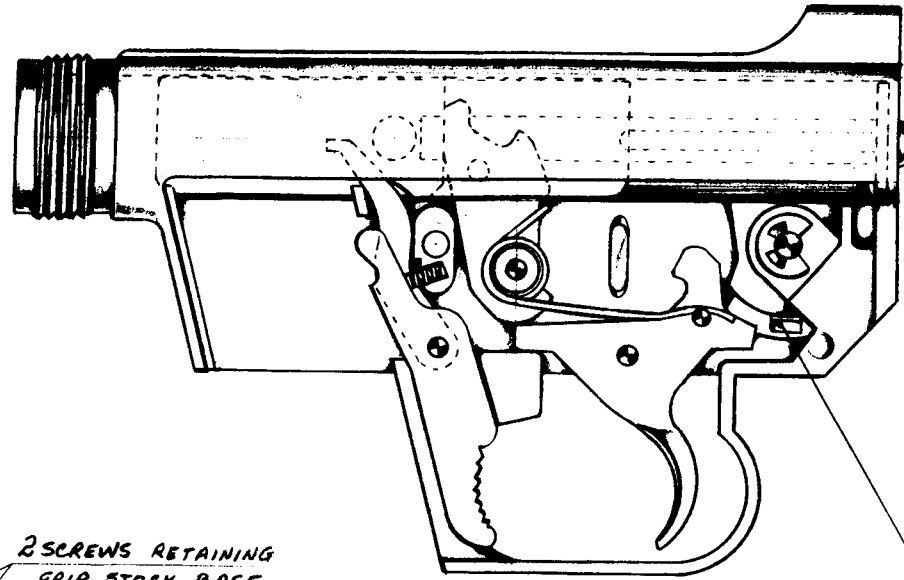
Neither the author nor the publisher assumes any
responsibility for the use or misuse of the information
contained in this book.

WARNING

It is against the law to manufacture a firearms without an appropriate license from the federal government. There are also state and local laws prohibiting the possession of such weapons in many areas. Severe penalties are prescribed for violations of these laws. Be warned!



AR-7 MACHINE PISTOL PROTOTYPE
Selective fire modification of AR-7 Explorer .22 Carbine.



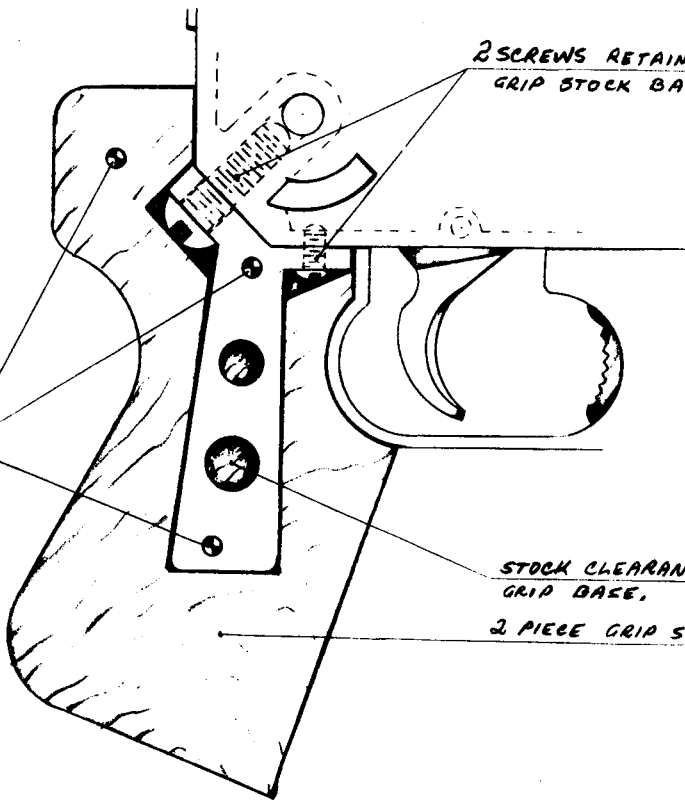
SAFETY LEVER

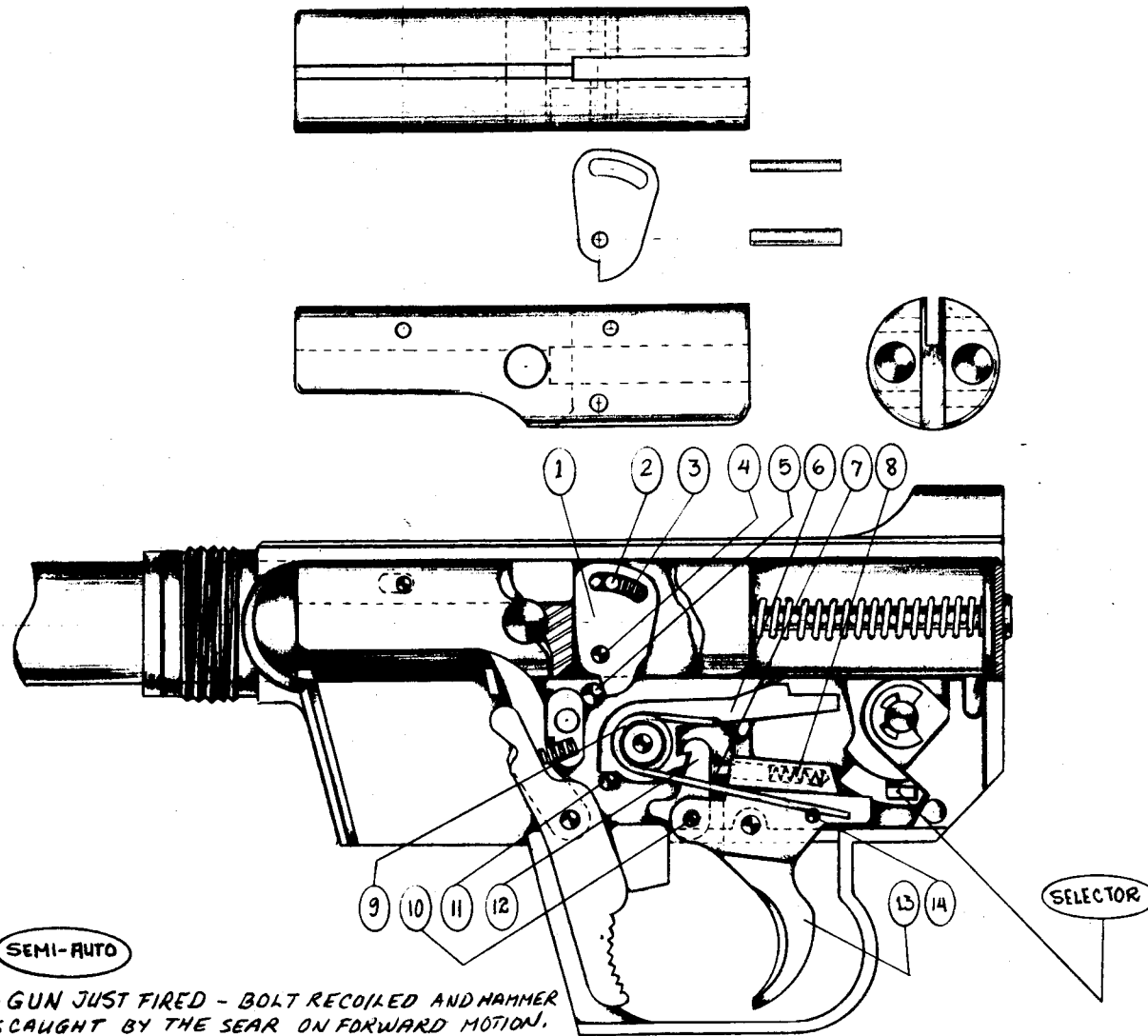
ORIGINAL SEMI-AUTOMATIC
~ TRIGGER MECHANISM ~

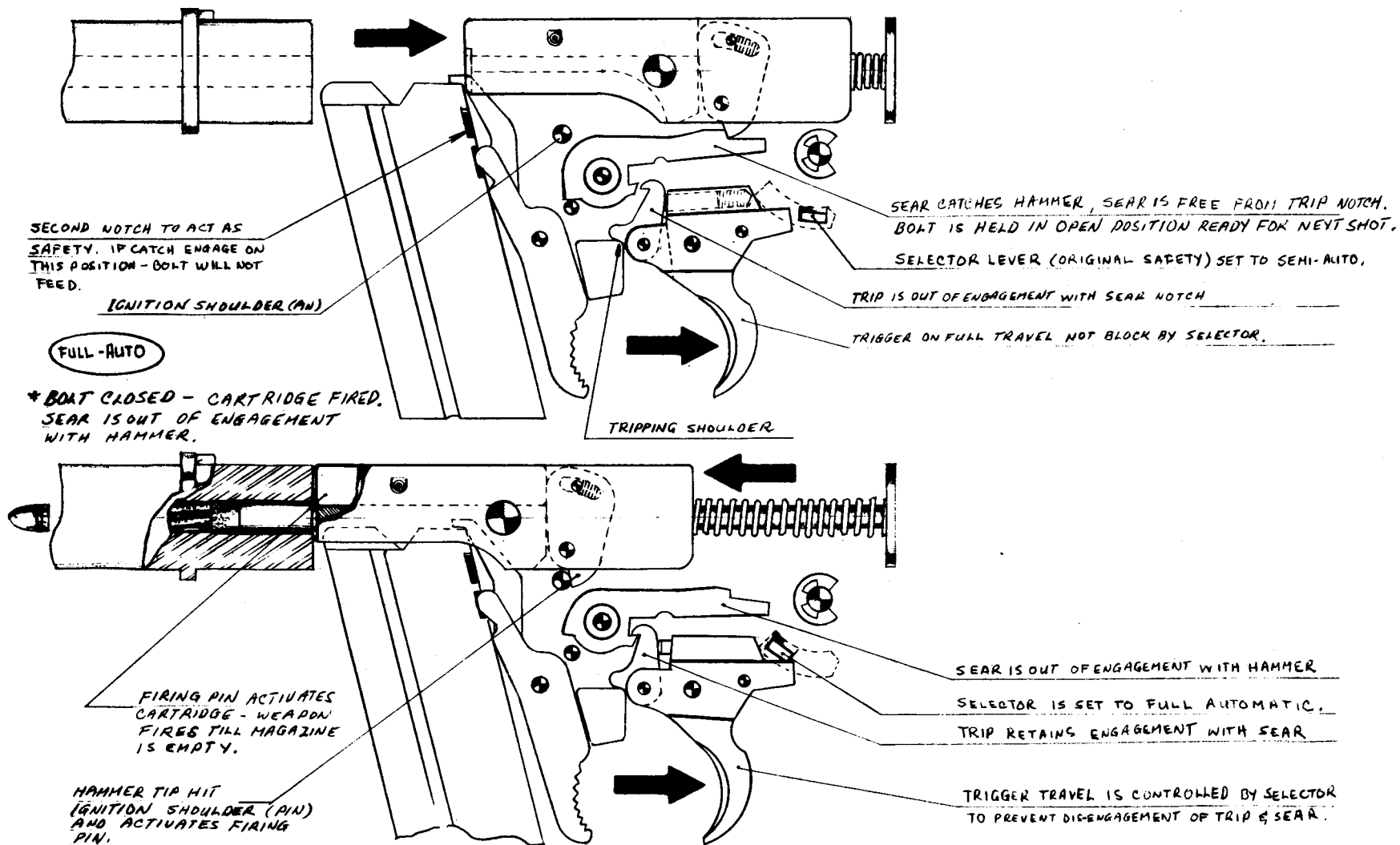
2 SCREWS RETAINING
GRIP STOCK BASE

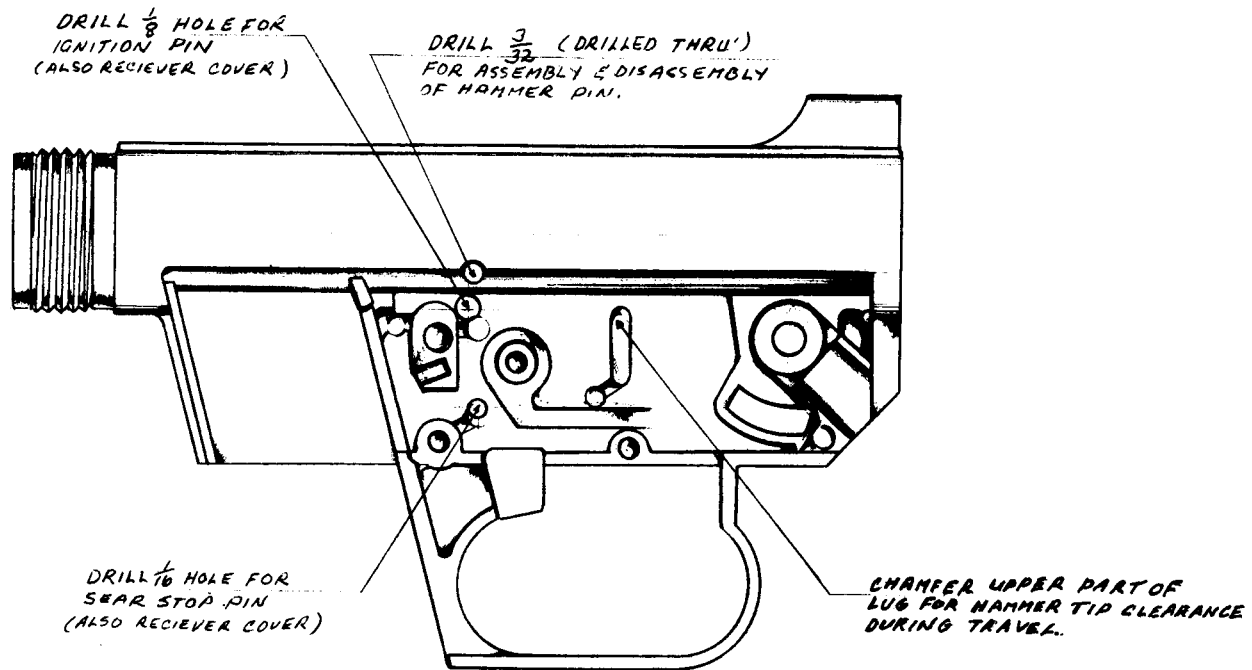
GRIP STOCK SCREWS
(3 REG.)

STOCK CLEARANCE FOR
GRIP BASE,
2 PIECE GRIP STOCK



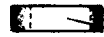




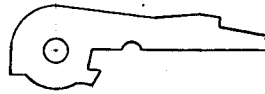


HAMMER

SEAR



HAMMER & SEAR MUST HAVE SAME THICKNESS WITH ORIGINAL FACTORY HAMMER 0.125.



CLEARANCE NOTCH FOR HAMMER RETRACTING SPRING

THICKNESS - MUST CORRESPOND WITH TRIGGER NOTCH (BOTTOM PART OF TRIP)

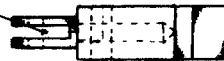


TRIGGER NOTCH FOR TRIP

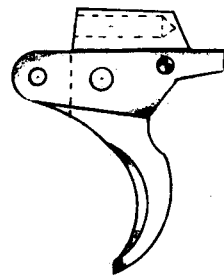
TRIP DISENGAGEMENT POINT WITH TRIPPING SHOULDER

TRIP

1/8 HOLE (NOT DRILLED THRU) FOR PLUNGER - TRIP

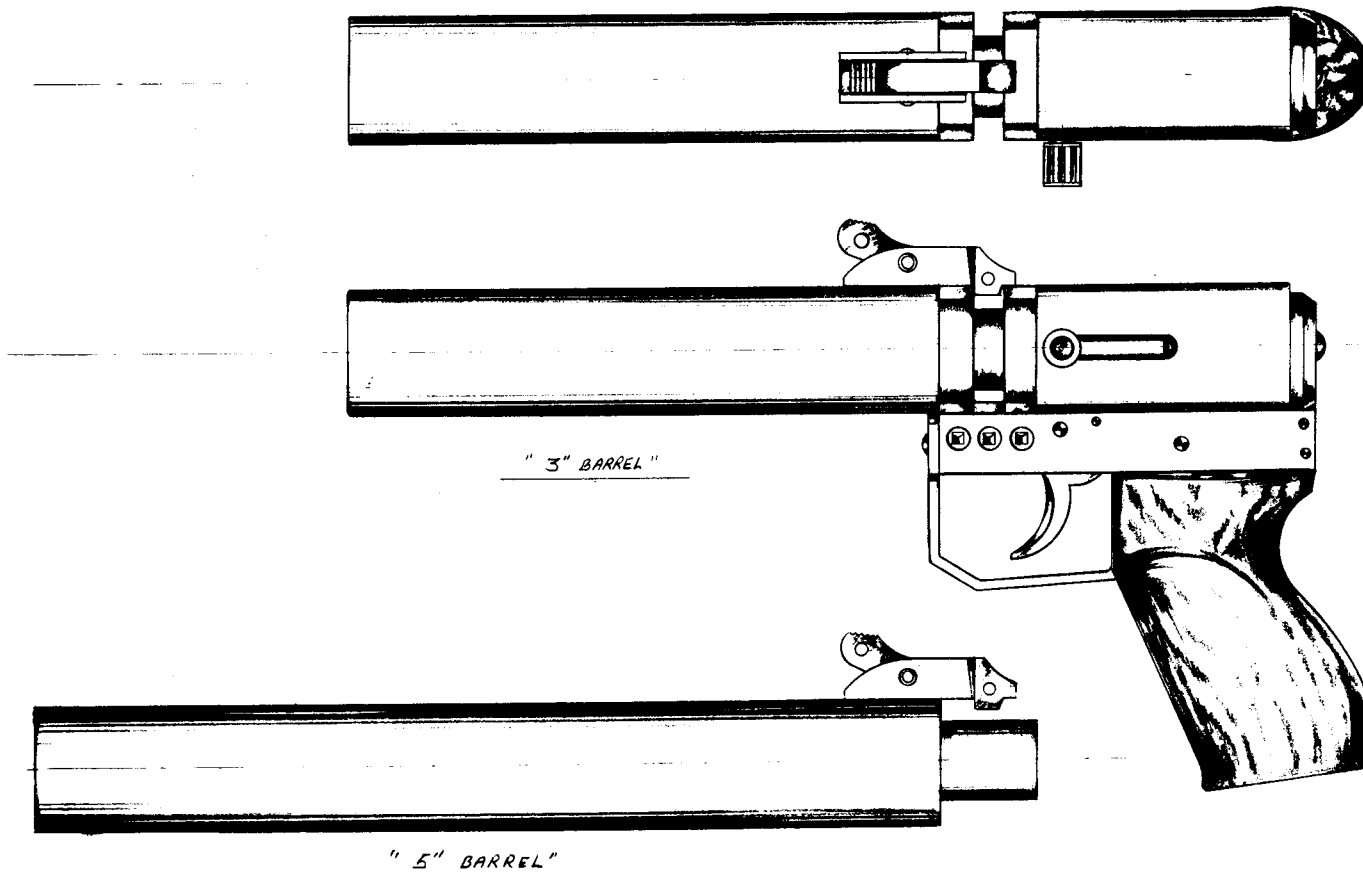


PIN NOTCH ON BOTH END TO RETAIN ORIGINAL TRIGGER RETURN SPRING.

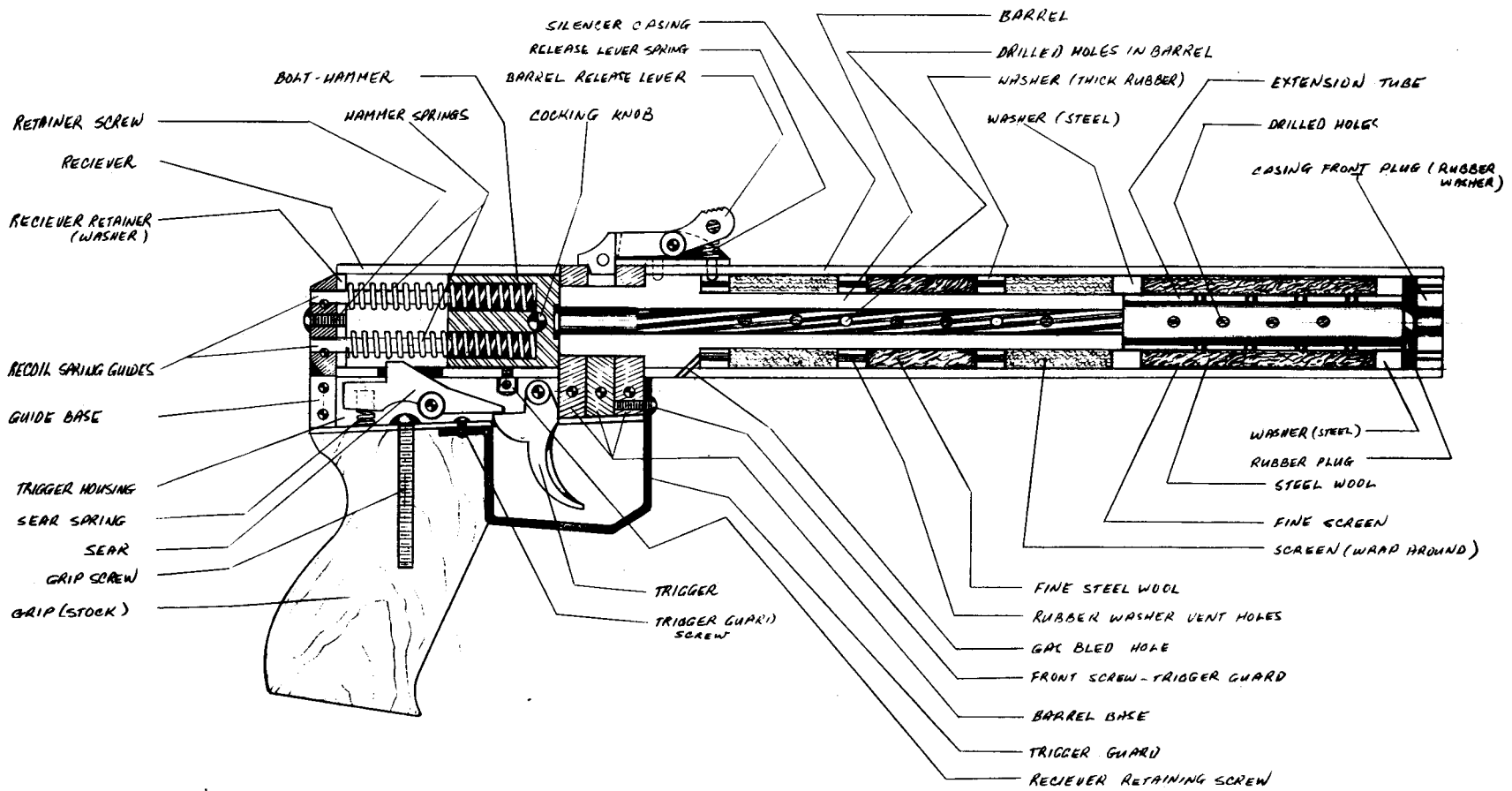


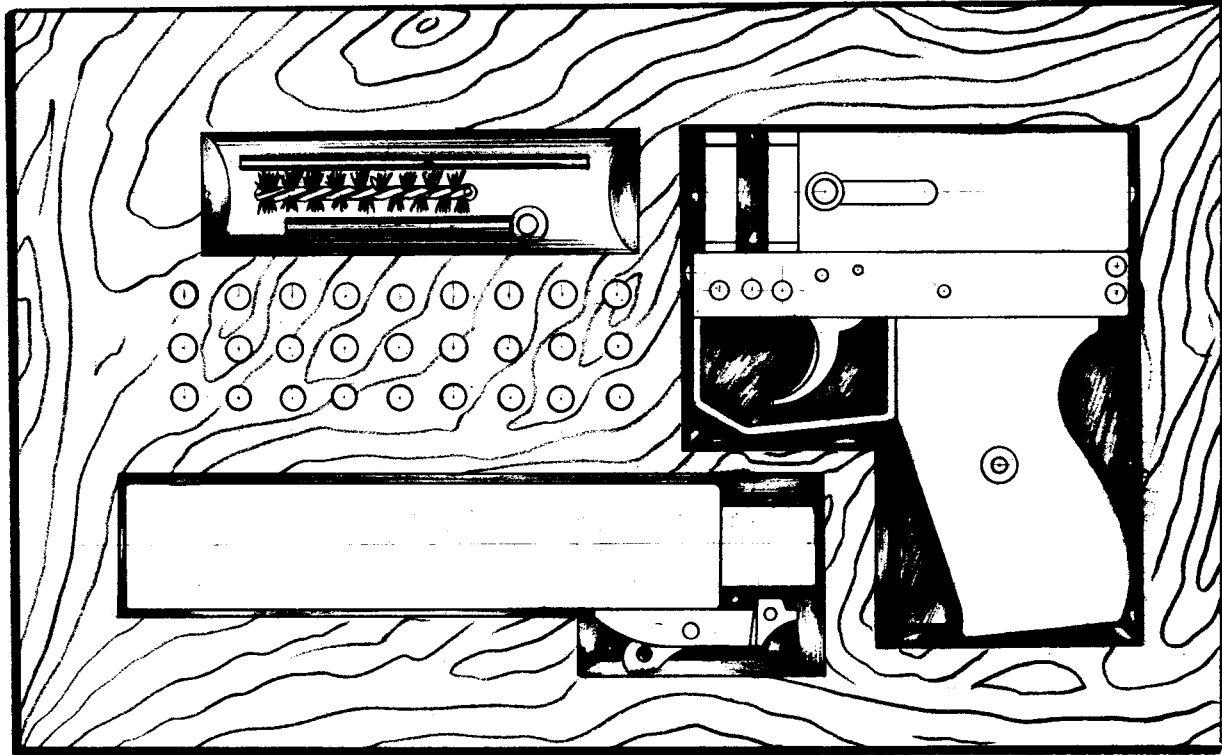
TRIGGER TRAVEL ALLOWANCE - THICKNESS SAME AS ORIGINAL TRIGGER 0.125.

TRIGGER DETAIL

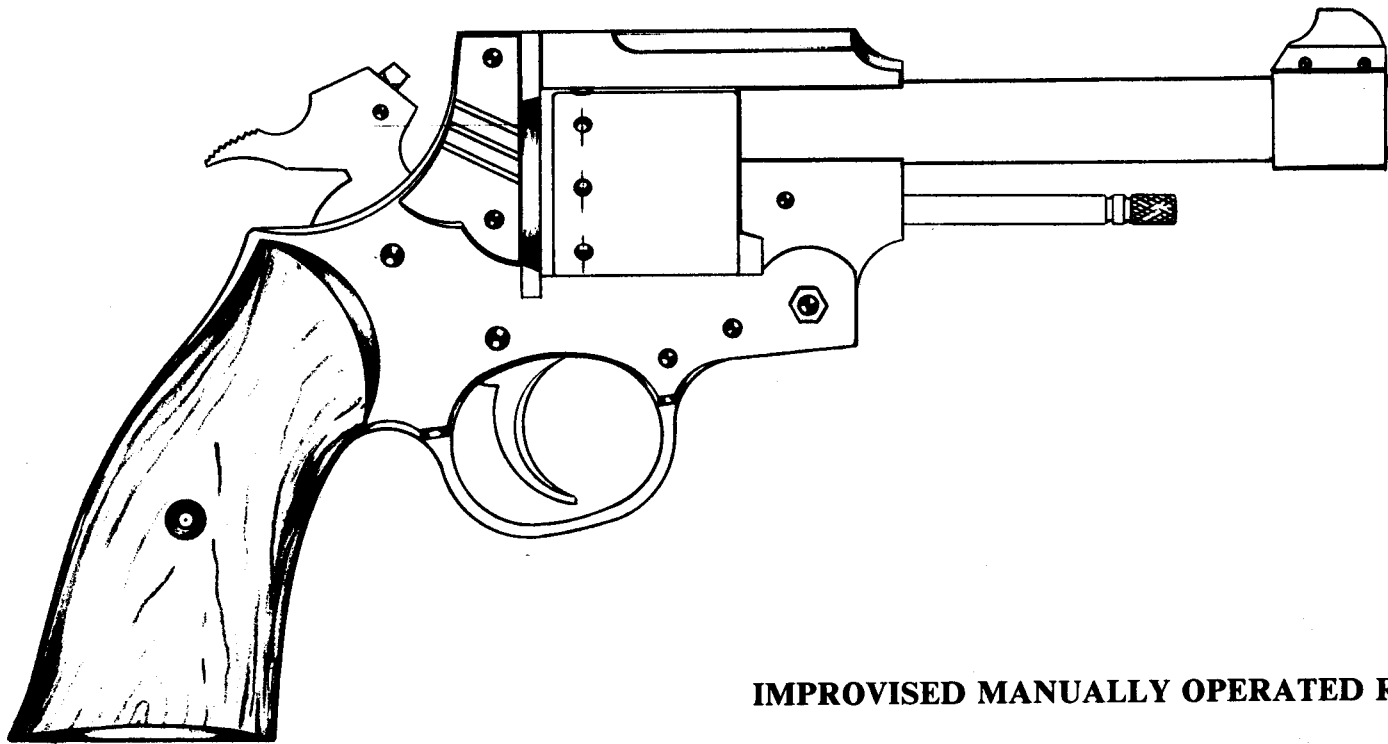


SPECIAL .22 SILENCED WEAPON



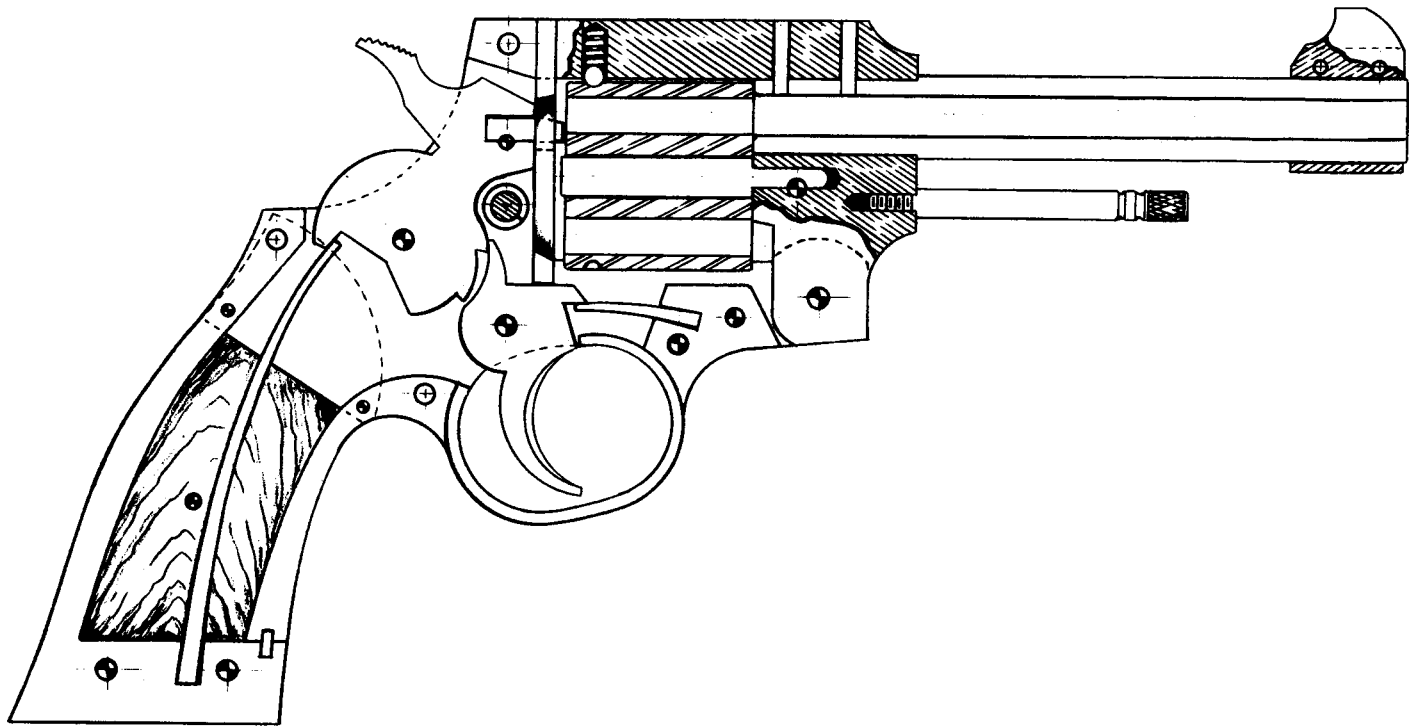
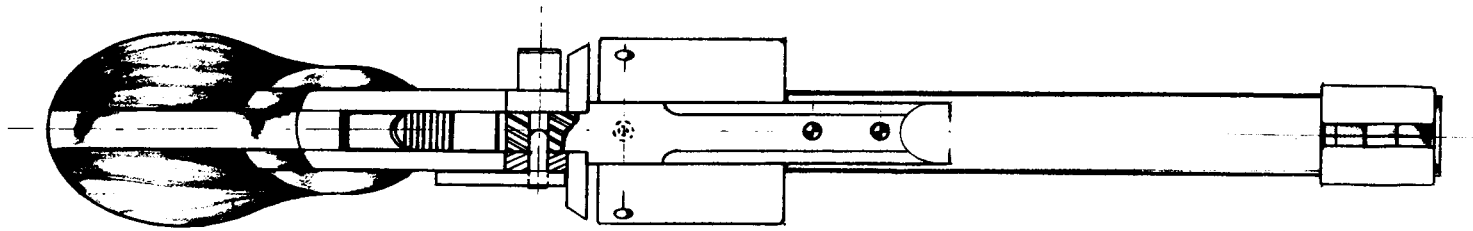


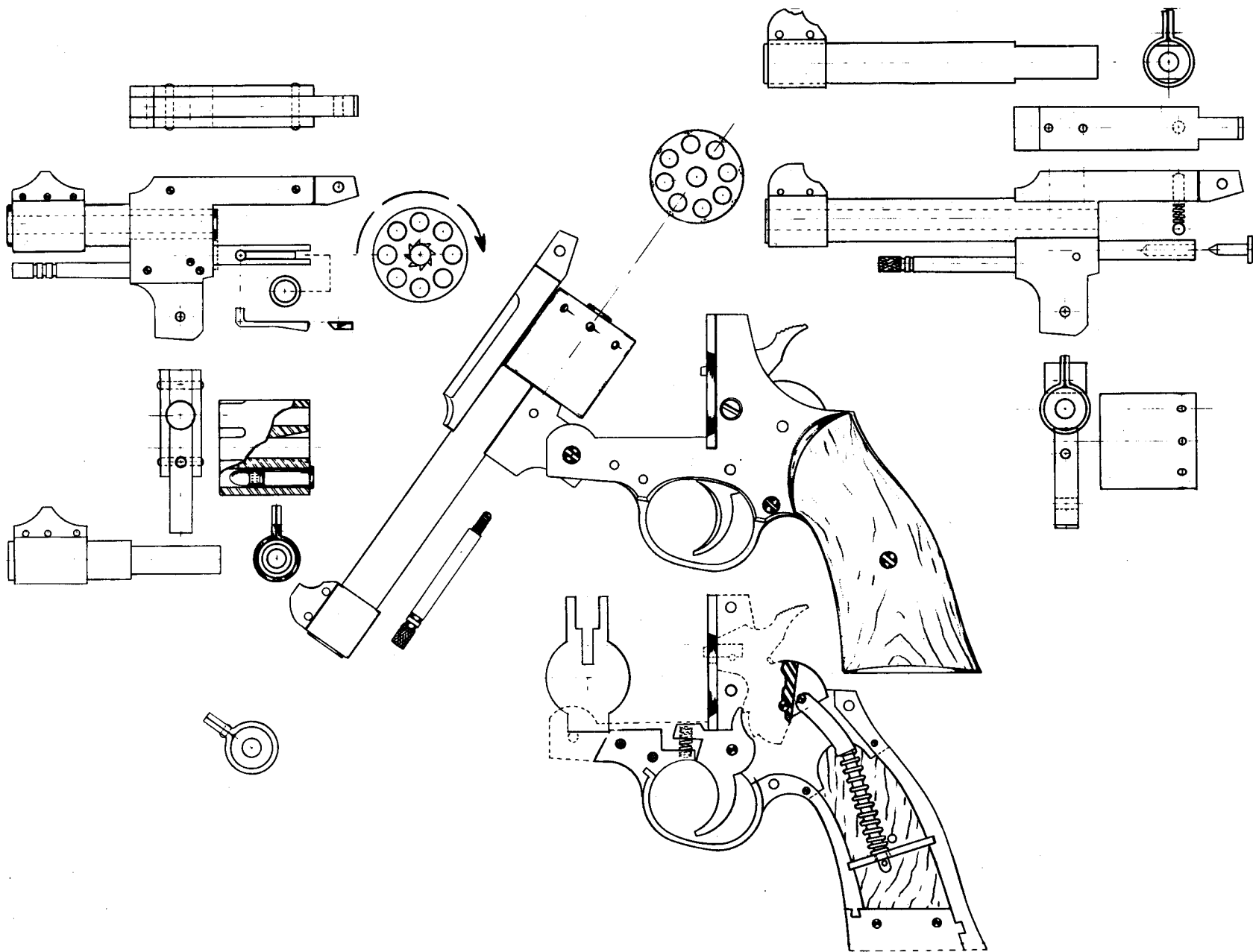
IMPROVISED WOODEN CASE FOR THE
— SPECIAL WEAPON MODEL —

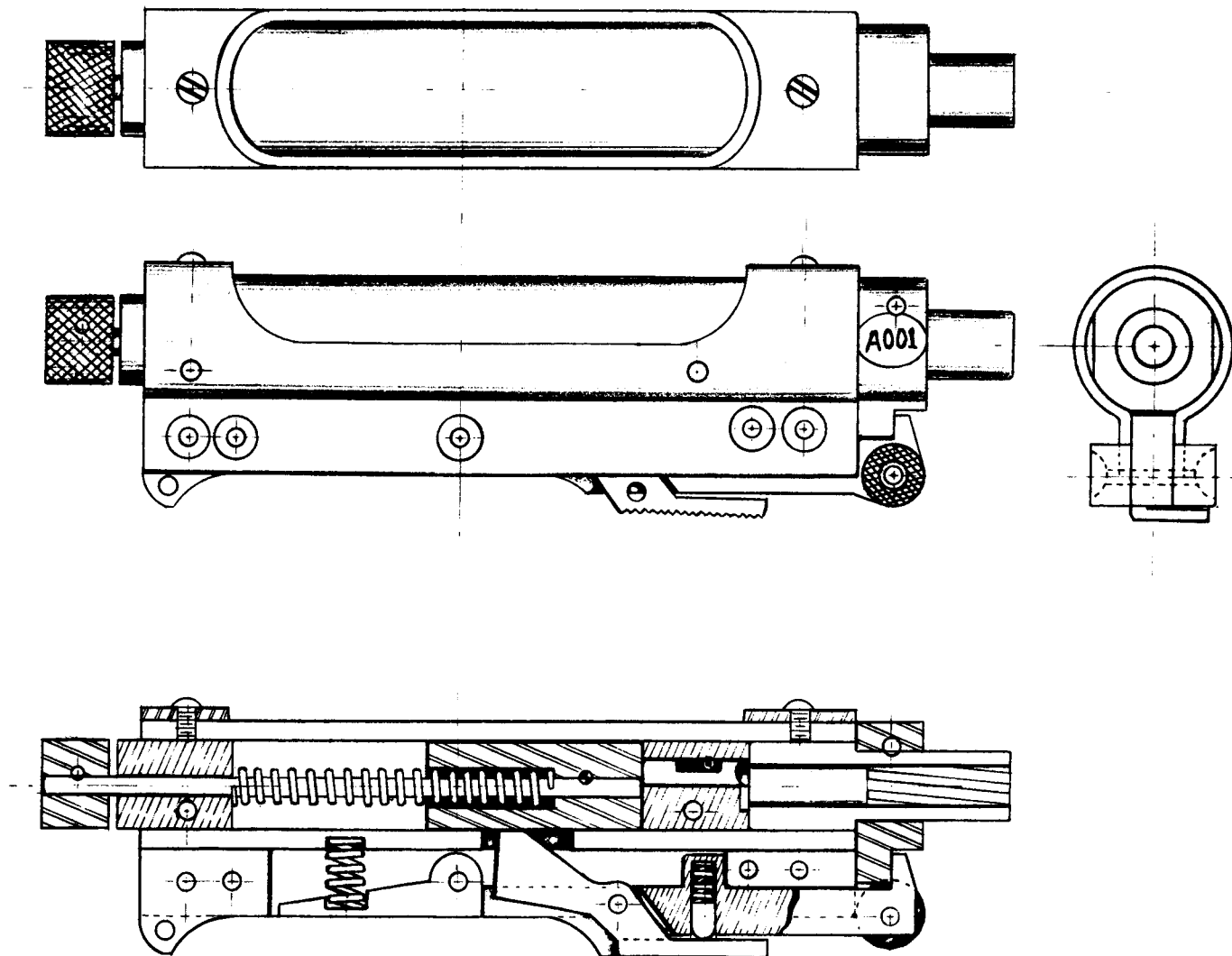


IMPROVISED MANUALLY OPERATED REVOLVER

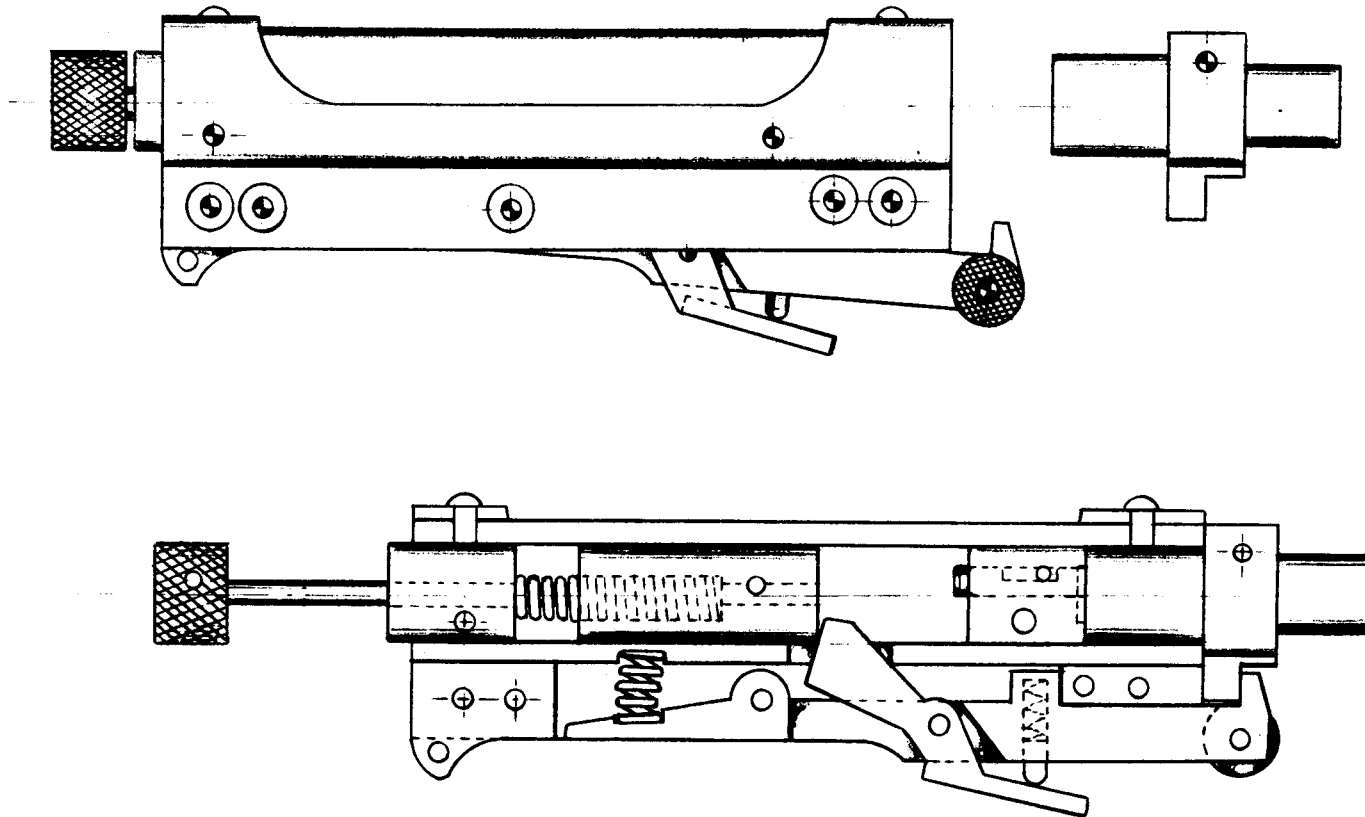
Cylinder is turned manually after each shot.

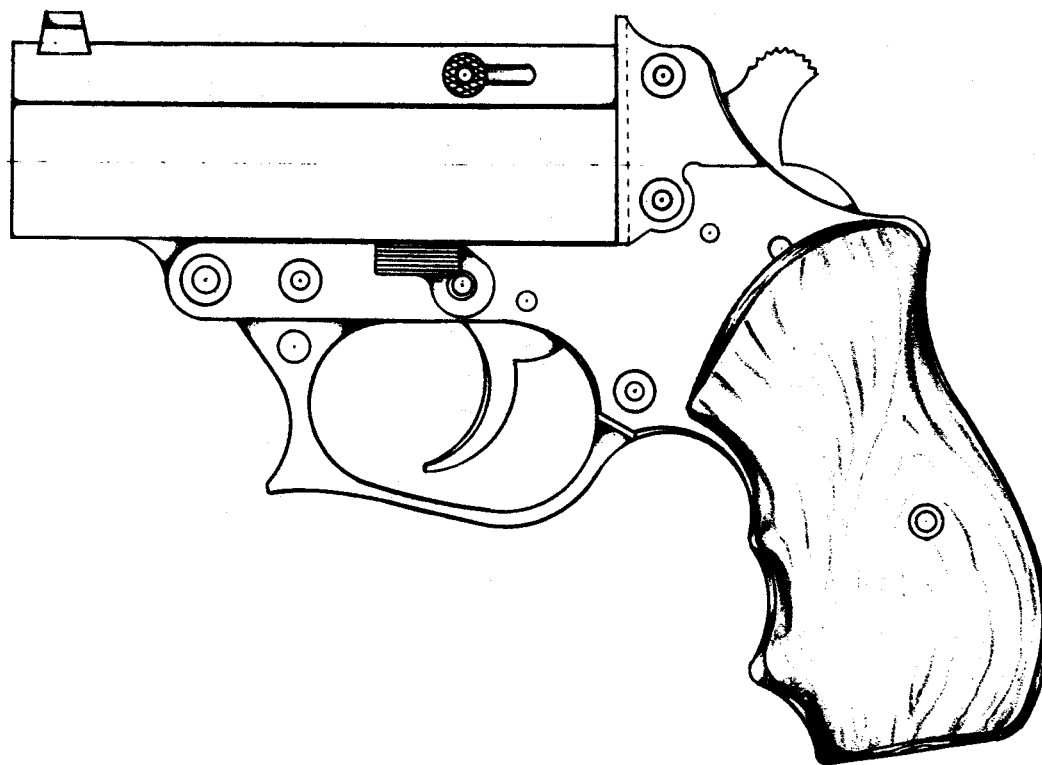






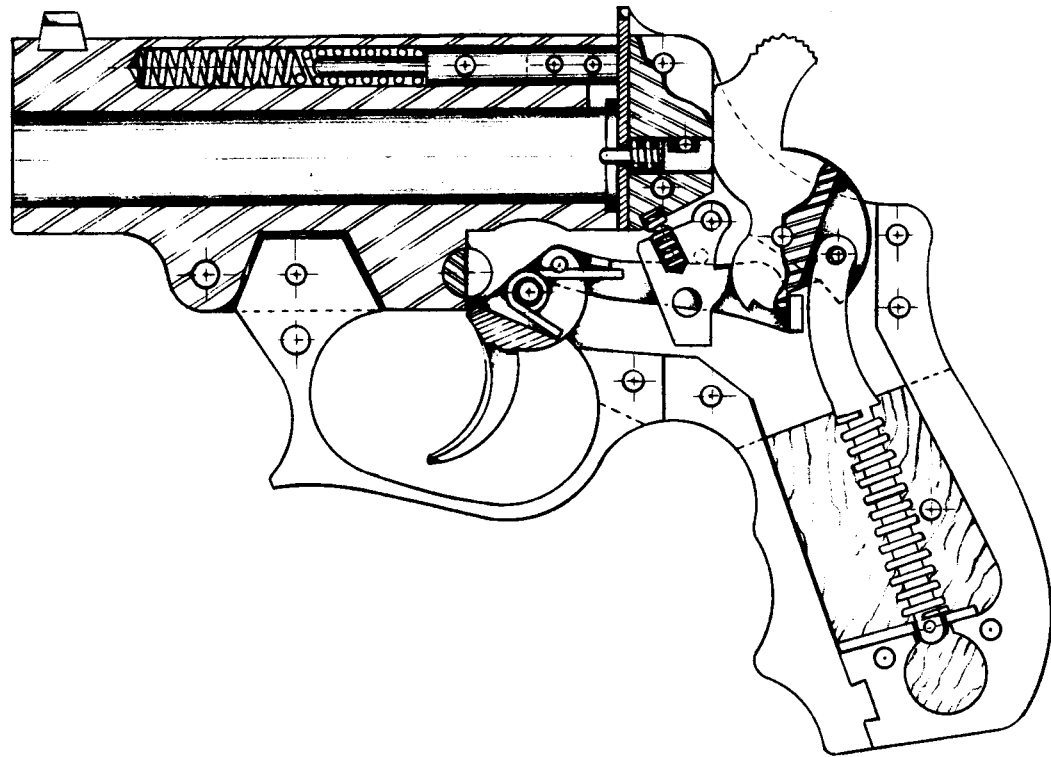
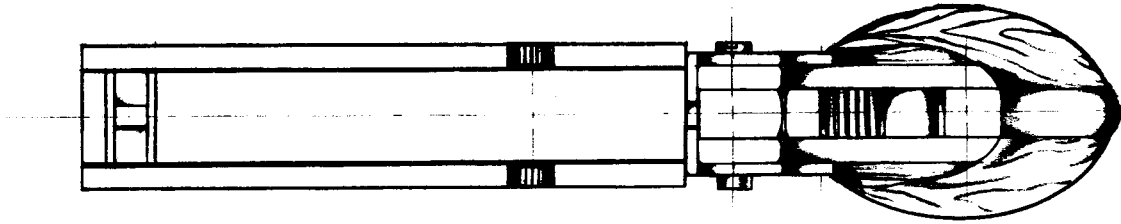
STINGER — SPECIAL MODEL



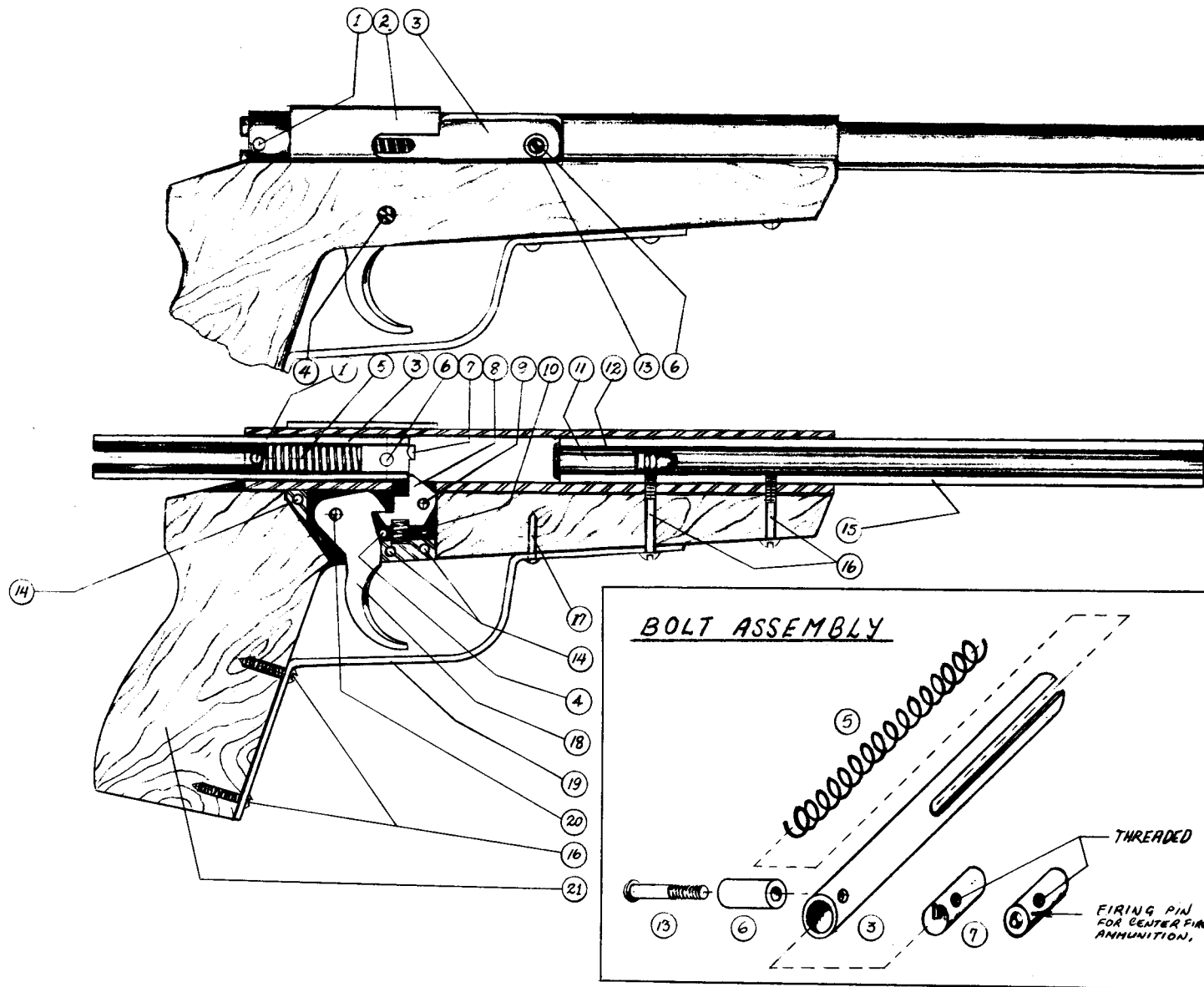


DOUBLE ACTION MINI-SHOTGUN PISTOL

M a d e i n . 4 1 0 g a u g e a n d . 4 5 A C P



© Copyright 1979 by Paladin Press

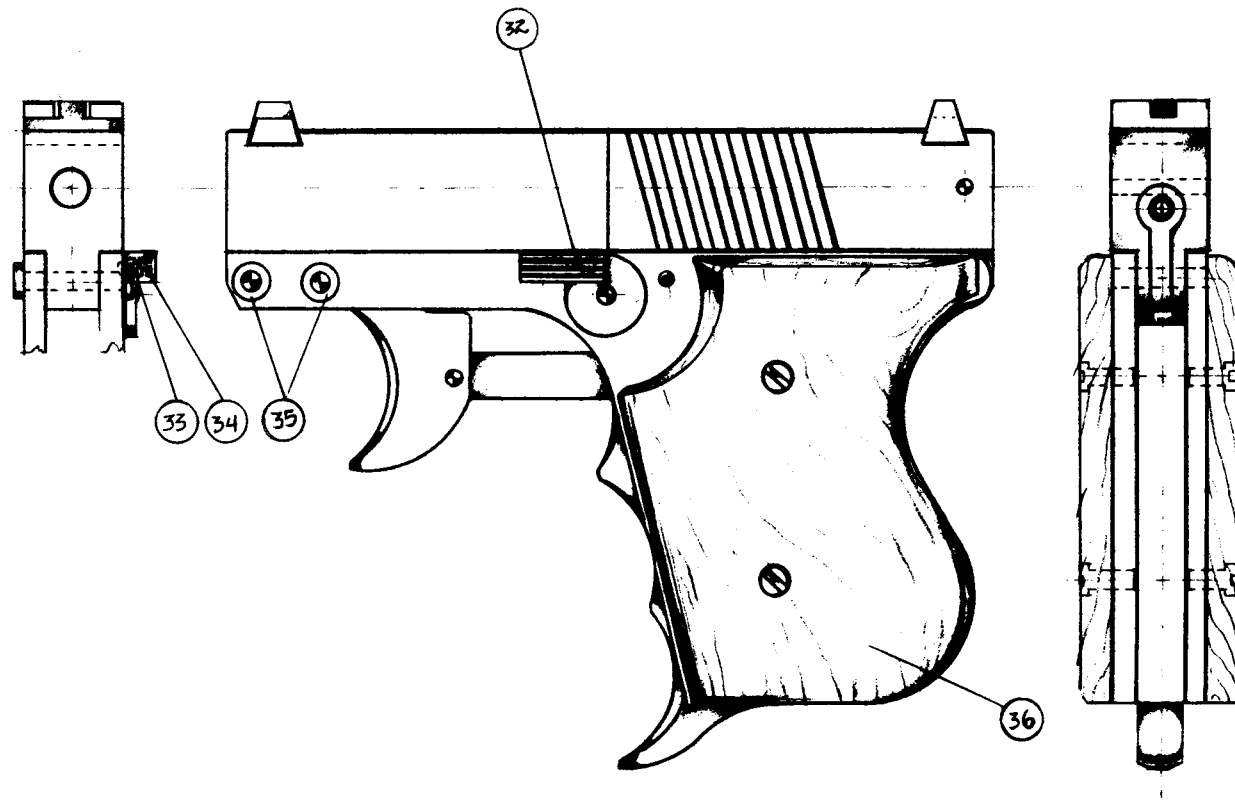


IMPROVISED BOLT ACTION .22

**BOLT ACTION .22
PARTS LIST**

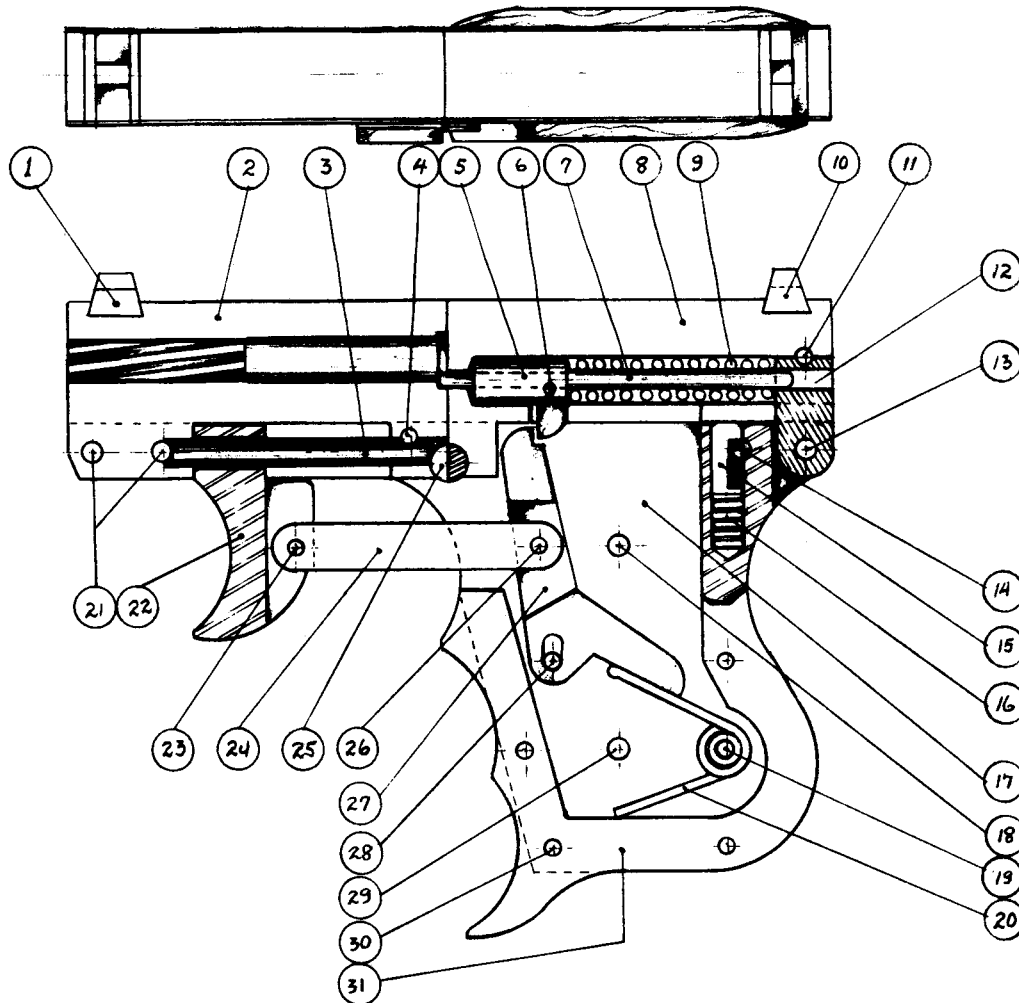
1. *Hammer spring stop pin*
2. *Barrel reinforcement jacket*
3. *Bolt containing firing pin assembly*
4. *Trigger housing screw*
5. *Hammer spring*
6. *Cocking handle screw*
7. *Firing pin*
8. *Sear*
9. *Sear pin*
10. *Sear spring*
11. *.22 LR cartridge*
12. *Chamber*
13. *Cocking handle screw*
14. *Trigger housing pins*
15. *Pipe barrel*
16. *Barrel retaining screw*
17. *Nail*
18. *Trigger*
19. *Trigger guard*
20. *Trigger pin*
21. *One piece stock*

Note: After firing, the weapon will automatically eject the empty shell from chamber. Bolt must be cocked to fire again, after reloading.

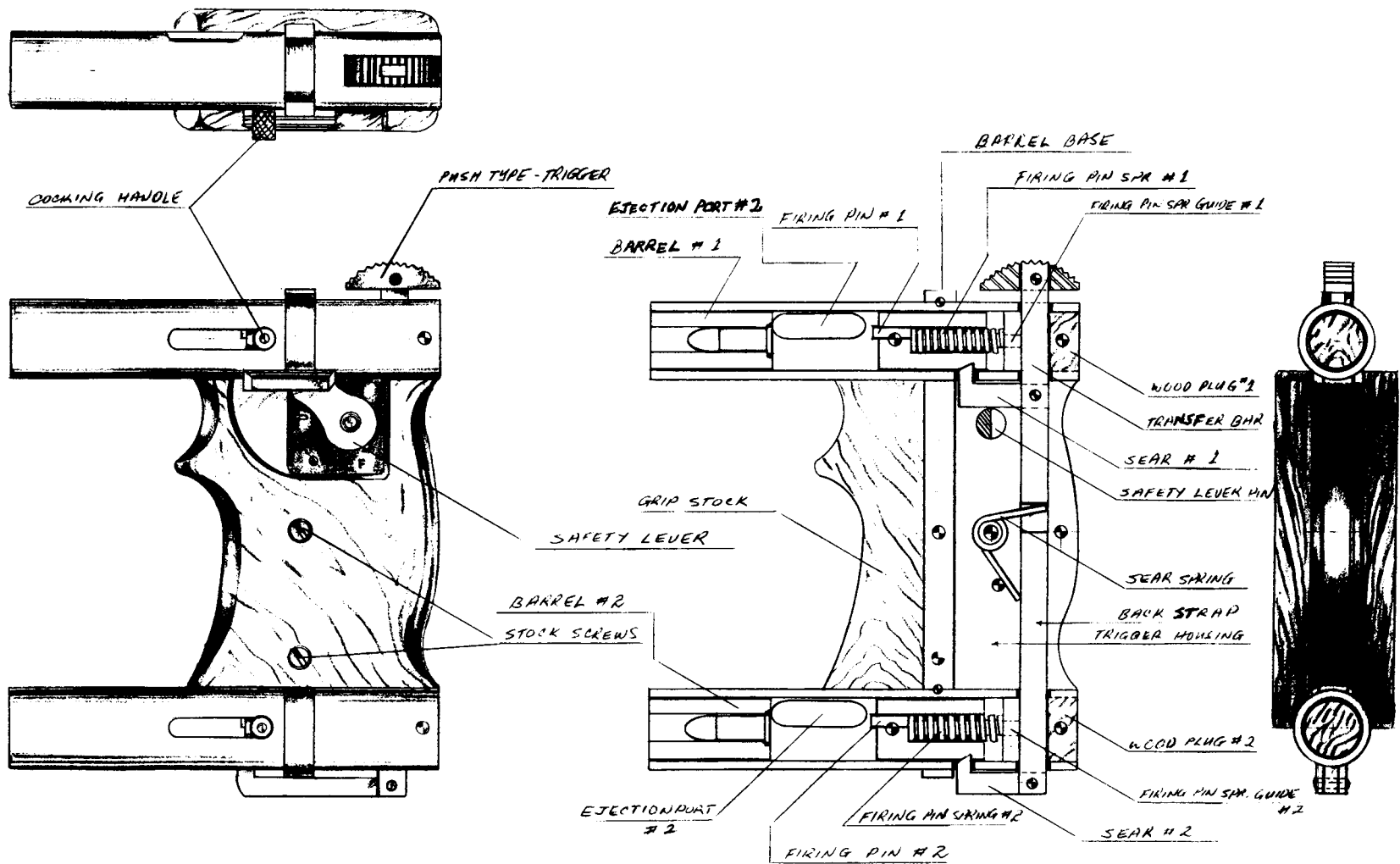


DOUBLE ACTION SINGLE SHOT .22 MAGNUM

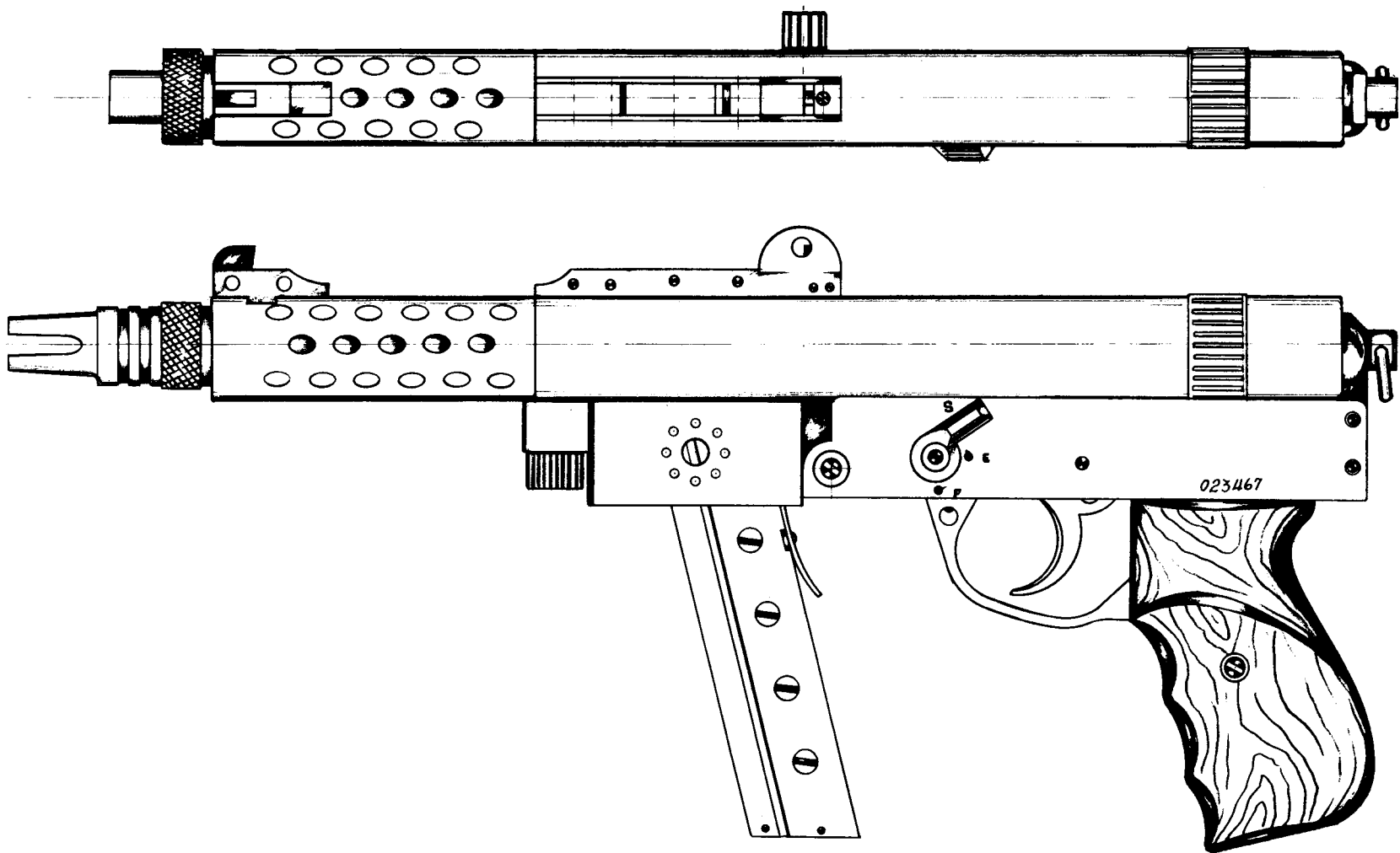
PARTS LIST



1. Front sight
2. Barrel ($\frac{1}{2}$ steel plate thick material)
3. Trigger travel guide rod
4. Guide rod retaining pin
5. Firing pin
6. Firing pin spring guide retaining pin
7. Firing pin spring guide
8. Breech block (same material as No. 2)
9. Firing pin
10. Rear sight
11. Firing pin spring plug retaining pin
12. Hole for firing pin spring guide travel
13. Breech block pivot screw
14. Breech block plunger stop pin
15. Breech block plunger—pushes breech block automatically once latch was operated to expose barrel for loading.
16. Breech block plunger spring
17. Receiver/trigger housing (2 pc. steel sheet)
18. Grip screw
19. Trigger bar hook spring pin
20. Trigger bar hook spring
21. Barrel connecting screws
22. Trigger
23. Trigger bar retaining pin
24. Trigger bar
25. Breech block latch lever pin—secured in place by a locking plate on right side of frame.
26. Trigger bar retaining pin
27. Firing pin hook
28. Firing pin hook pin
29. Grip screw
30. Rivet (4 prs. securing grip insert to frame)
31. Grip insert ($\frac{1}{4}$ steel plate)
32. Breech block latch lever
33. Detent ball of latch lever
34. Detent ball spring
35. Screw nut for #21
36. Wood grip (2 prs.)



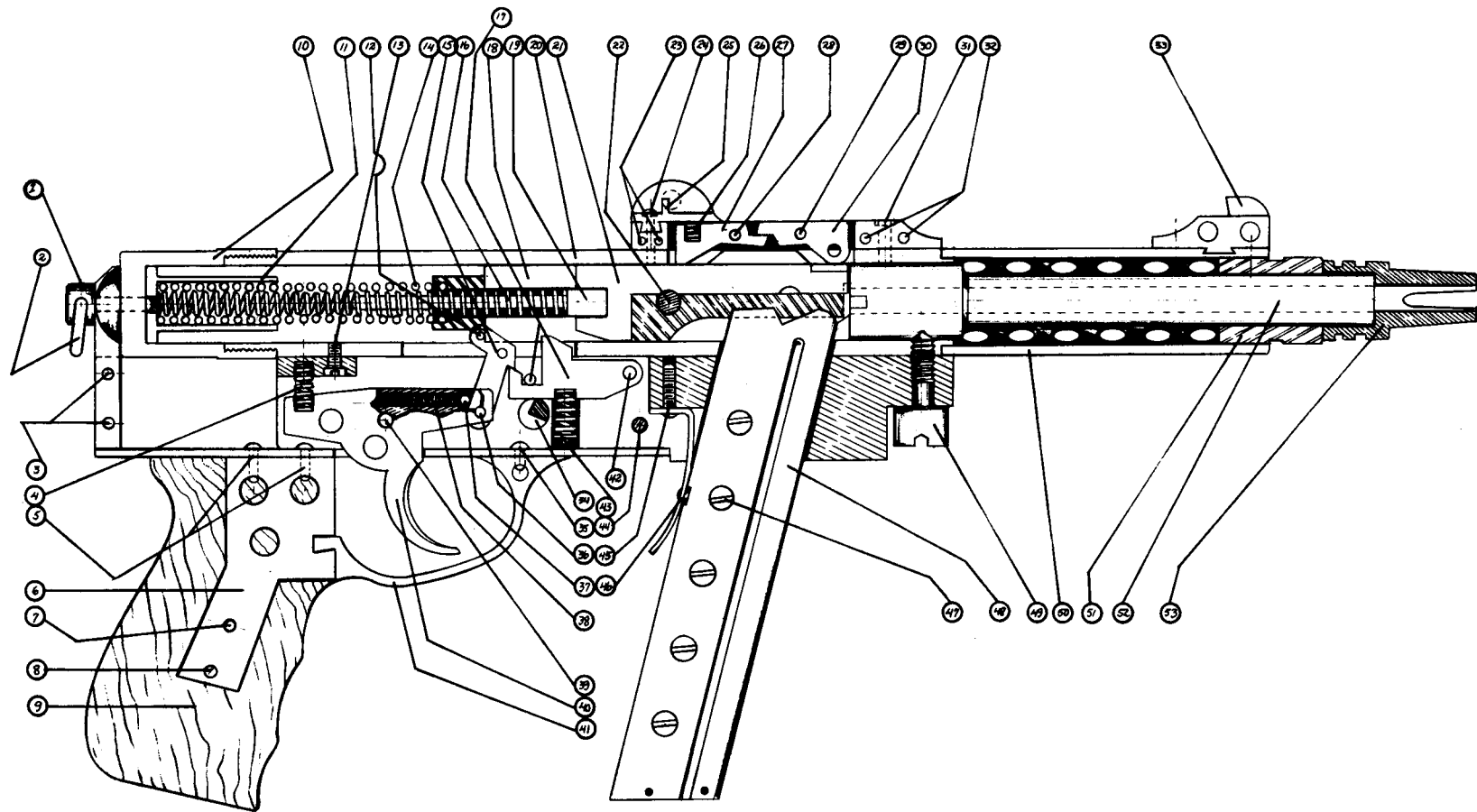
.22 DOUBLE BARREL SPECIAL WEAPON

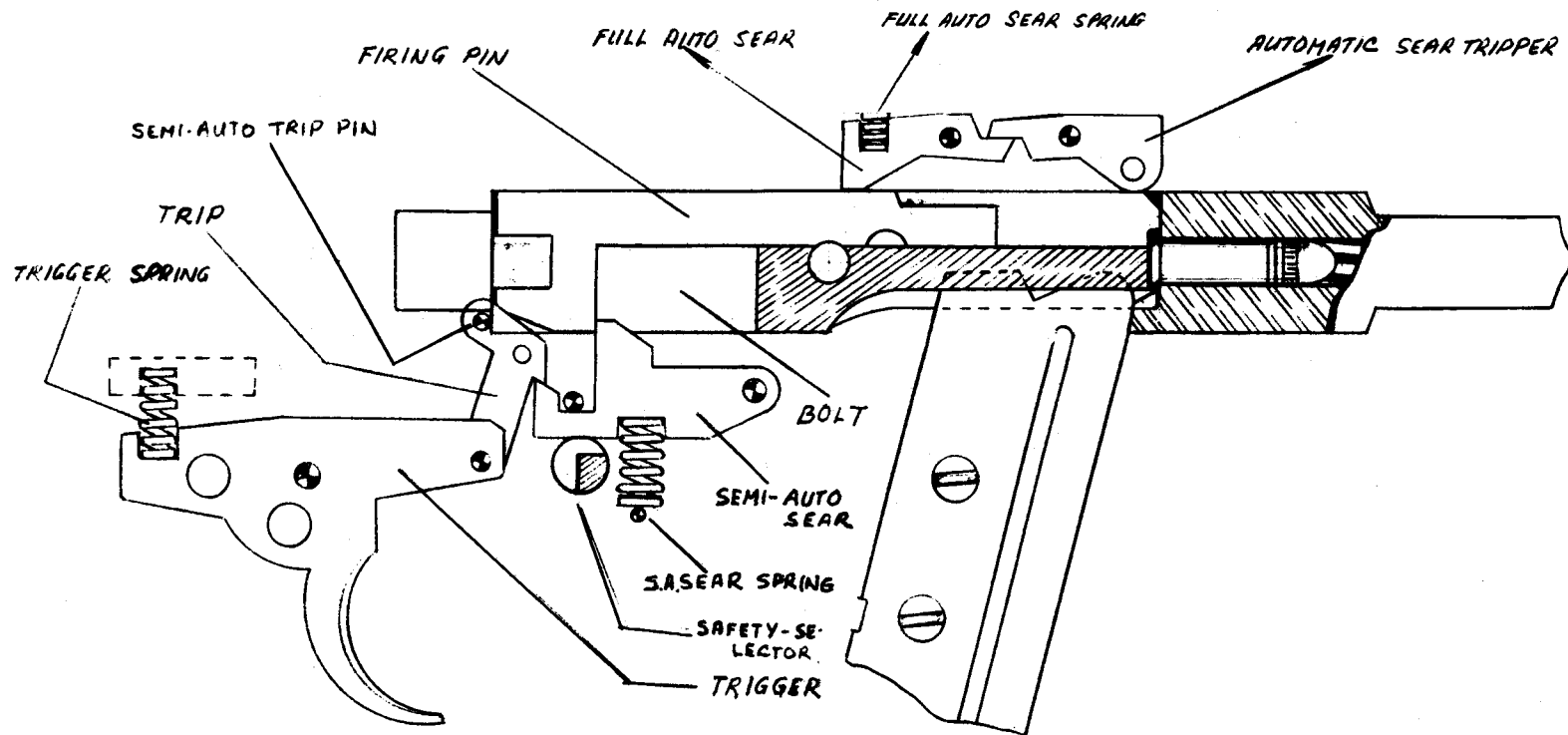


SQUIRES-BINGHAM MACHINE PISTOL

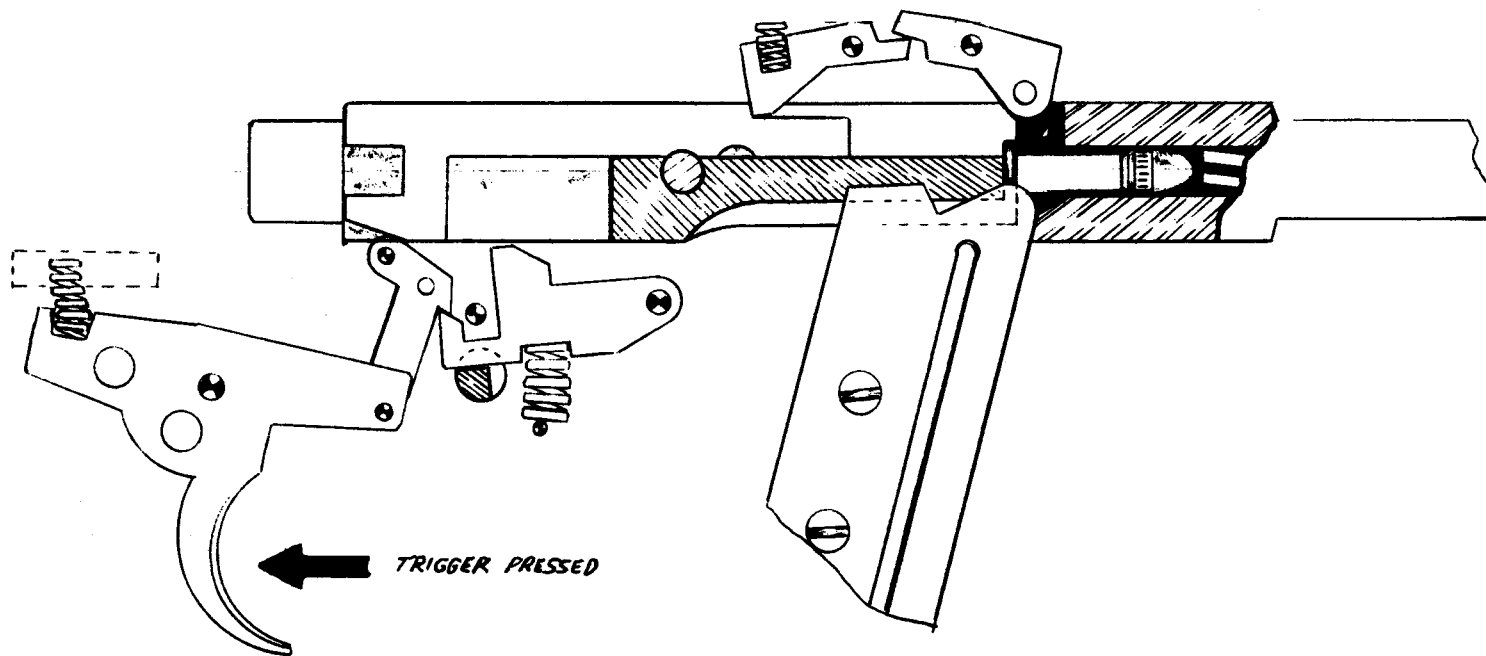
PARTS LIST

1. Swivel/screw combination—retaining rear of receiver to grip frame
2. Sling swivel
3. Grip frame insert retaining pins (insert is best brazed to grip frame)
4. Trigger spring
5. Screws retaining grip base
6. Grip base
7. Grip screw
8. Grip stock pin
9. Grip stock
10. Receiver cover
11. Recoil spring guide sleeve
12. Disconnecting pin of trip
13. Screw securing rear of trigger housing to receiver.
14. Recoil spring
15. Trip
16. Hammer spring
17. Sear
18. Bolt
19. Hammer
20. Receiver
21. Firing pin
22. Cocking handle
23. Automatic sear assembly housing insert securing pin
24. Rear screw connecting auto. sear assy. housing to receiver
25. Improvised rear sight
26. Automatic sear spring
27. Automatic sear
28. Automatic sear pin
29. Auto. sear trip pin
30. Automatic sear trip—operated by bolt before fully closing (bolt distance to chamber mouth)
31. Front screw connecting auto. sear housing to receiver
32. Front insert securing pins (both front & rear insert can be brazed permanently to automatic sear housing to form a solid unit)
33. Improvised front sight
34. Safety-selector pin
35. Trigger guard screw
36. Trip retaining pin
37. Ball
38. Ball spring
39. Trigger pin
40. Trigger
41. Trigger guard
42. Sear pin
43. Sear spring securing pin
44. Grip frame connecting screw to trigger housing
45. Magazine catch screw
46. Magazine catch
47. Magazine spring
48. Magazine body
49. Trigger housing front connecting screw
50. Perforated barrel jacket (improvised from seamless tubing)
51. Barrel jacket nut (brazed to barrel & jacket)
52. Barrel
53. Muzzle brake (factory original)
54. Trigger housing
55. Automatic sear assembly housing (removable—secured to receiver by 2 screws)
56. Grip frame—formed from steel sheet and encloses the trigger housing unit.

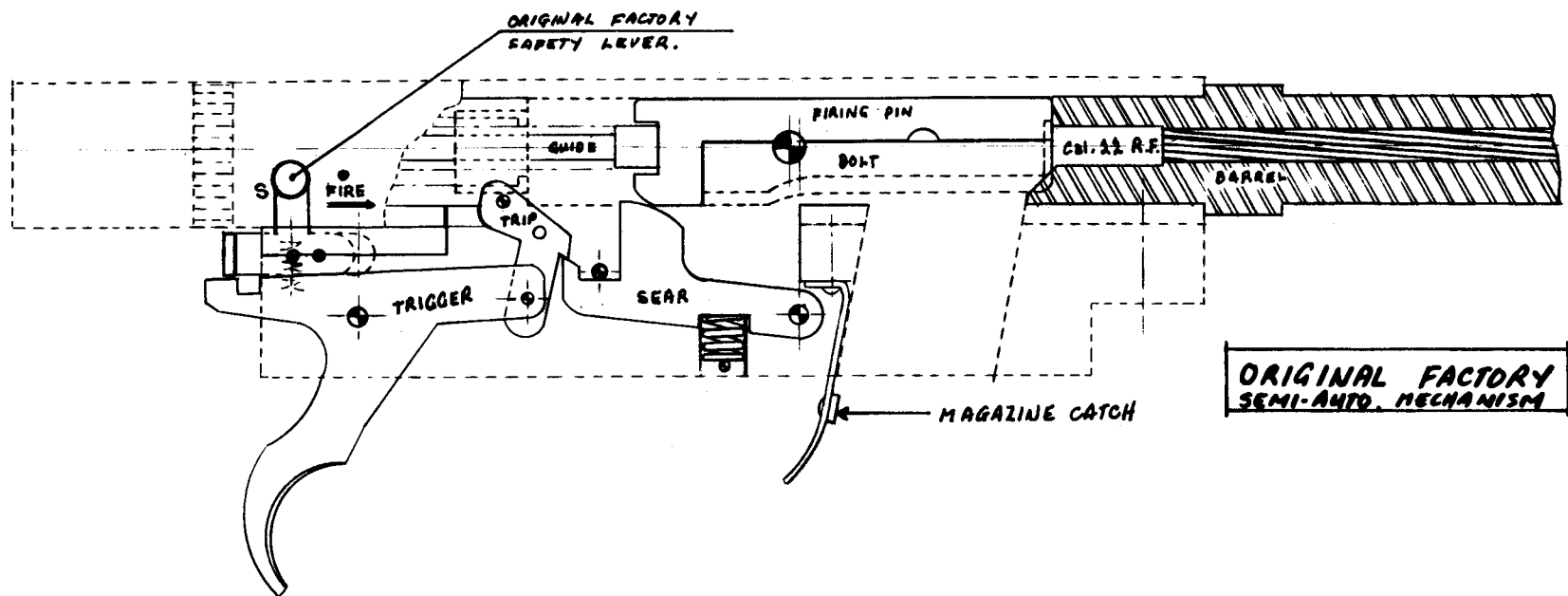




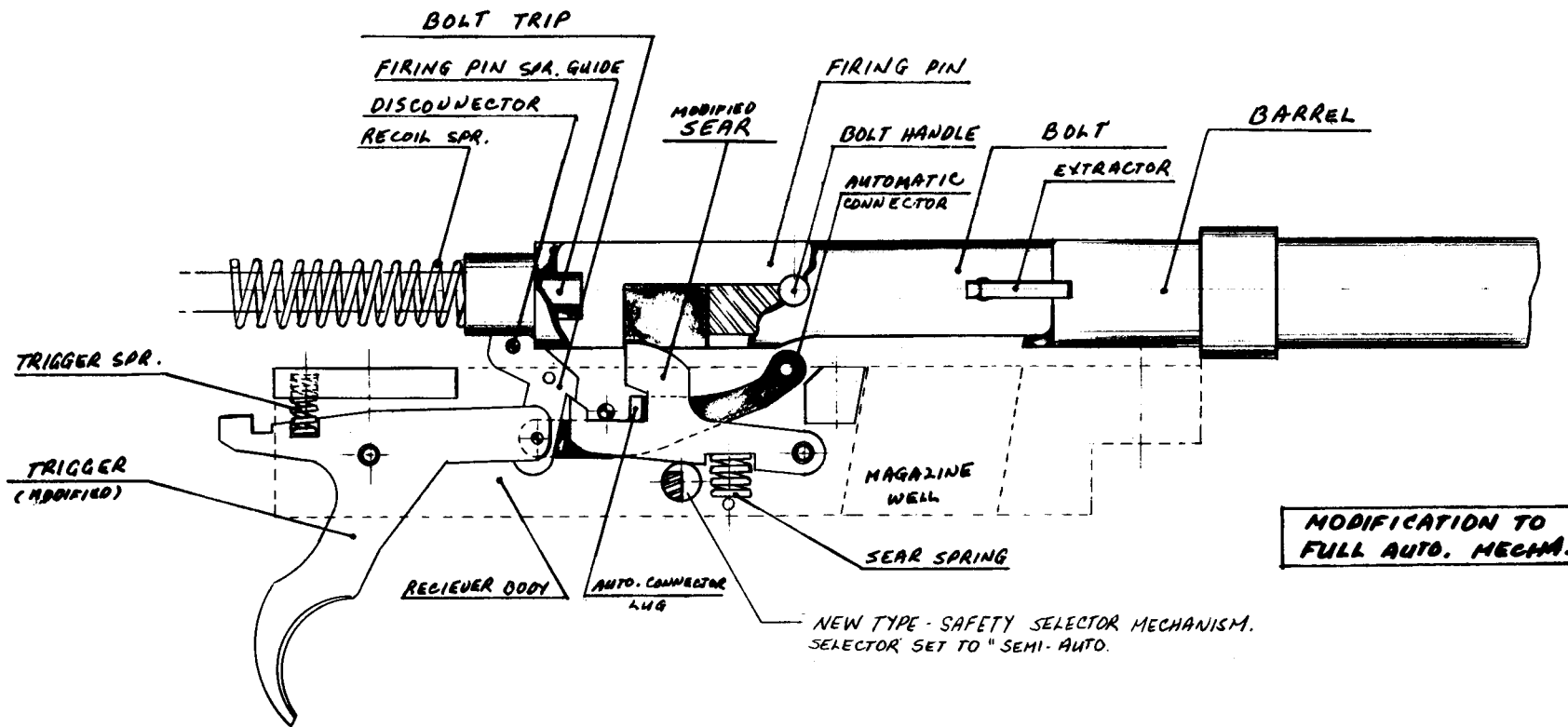
Selector lever set to semi-auto; firing pin ready to fire cartridge.

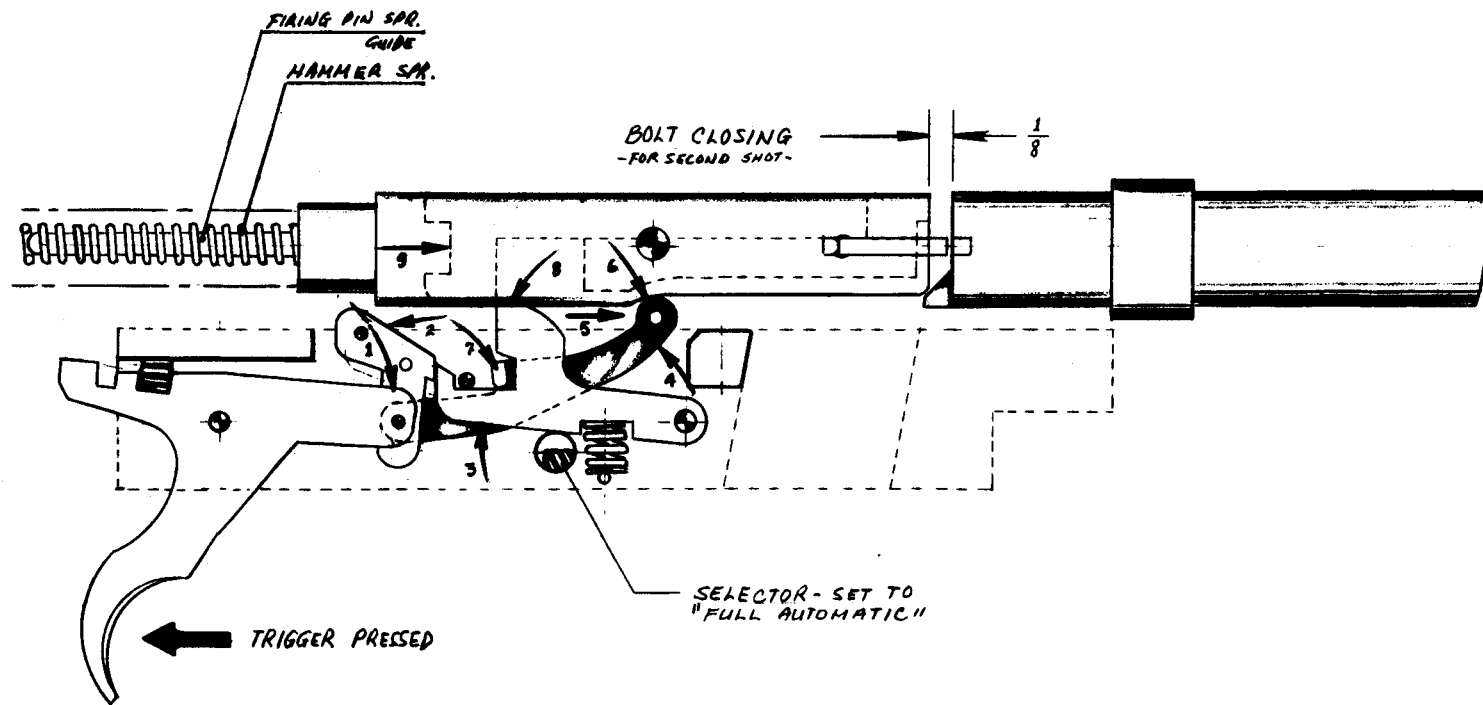


Selector set to full automatic; trigger pressed, taking semi-auto sear out of engagement with firing pin. Automatic sear will be tripped by front face of bolt when closing.



SQUIRES-BINGHAM M-16 CONVERSION TO SELECTIVE FIRE MODE





WARNING

It is against the law to manufacture a firearm without an appropriate license from the federal government. There are also state and local laws prohibiting the possession of such weapons in many areas. Severe penalties are prescribed for violations of these laws. Be warned!