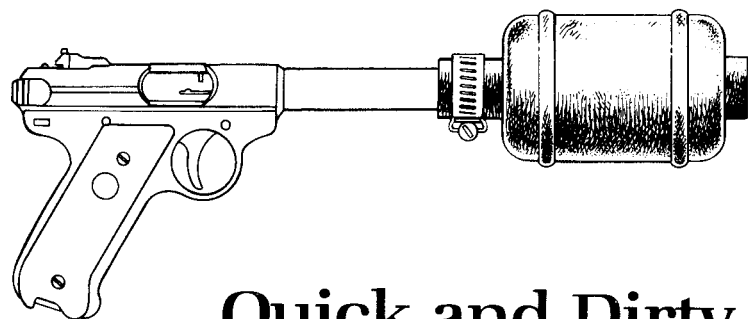


**The**  
**Hayduke Silencer**  
**Book**



**Quick and Dirty**  
**Homemade Silencers**

---

**George Hayduke**

**PALADIN PRESS**  
**BOULDER, COLORADO**

# Contents

Chapter 1	
<b>Why The Hell Should You Read This Book? . . . . .</b>	<b>1</b>
Chapter 2	
<b>Some Neat Things You Can Do With Silencers . . . .</b>	<b>11</b>
Chapter 3	
<b>The Hayduke Homemade Silencer Shopping List . .</b>	<b>17</b>
Chapter 4	
<b>Your Last Chance To Be Legal . . . . .</b>	<b>27</b>
Chapter 5	
<b>Simple Designs For Simple Minds . . . . .</b>	<b>41</b>
Chapter 6	
<b>Clever Designs For Clever Smarties . . . . .</b>	<b>63</b>
Chapter 7	
<b>My Conscience And You . . . . .</b>	<b>71</b>
Chapter 8	
<b>For Further Study, Read These Real Books Written By The Real Experts . . . . .</b>	<b>73</b>

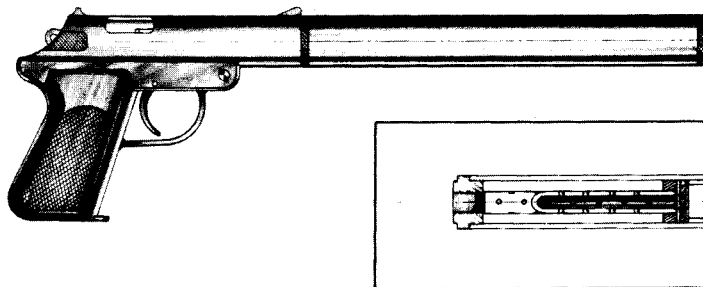
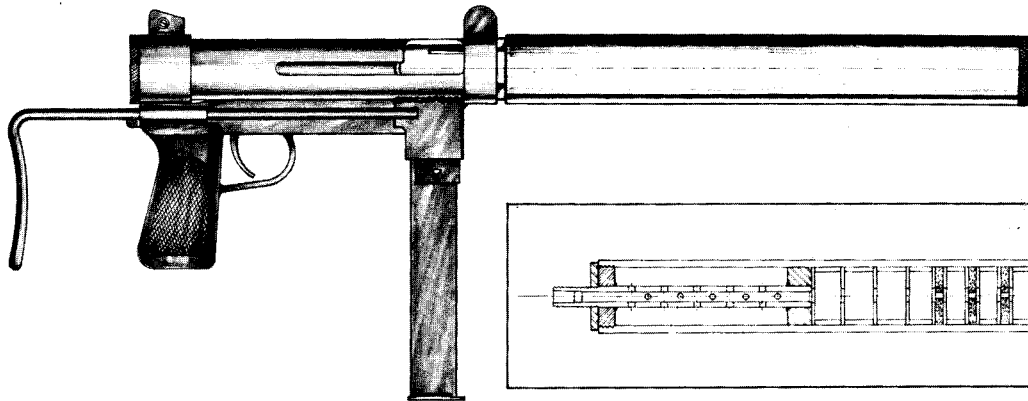
# Why The Hell Should You Read This Book?

You have already guessed what this book is about, haven't you? Did you cheat by browsing? Well, it's true. I'm going to help you make silencers, right in your home, from simple, everyday materials.

Silencers are very useful and fun to use. In simple terms, they allow a firearm to discharge much more quietly than the blast normally associated with a gunshot. Think about how useful and fun that could be!

The straight world uses silencers so as to not disturb the neighbors while target shooting, or to muffle that muzzle blast to make shooting more peaceful and civilized. And a silencer can help cut down on that awful gunfire roar that so often frightens first-time shooters.

There are also nefarious uses for silencers. Some folks are paid by other folks to shoot even other folks. Quite often the shooter will use a silencer, especially if he or she is a professional. In military combat, snipers often use silencers so that the snipees will not hear the



These very professionally designed silencers are intended for a submachine gun and a handgun. The SMG silencer has to be made of steel and other heavy components because of the heat and stress caused by the high rate of fire. The handgun silencer can be built of aluminum or PVC pipe. (Illustration courtesy of Paladin Press)

bullet with their name on it until they feel it.

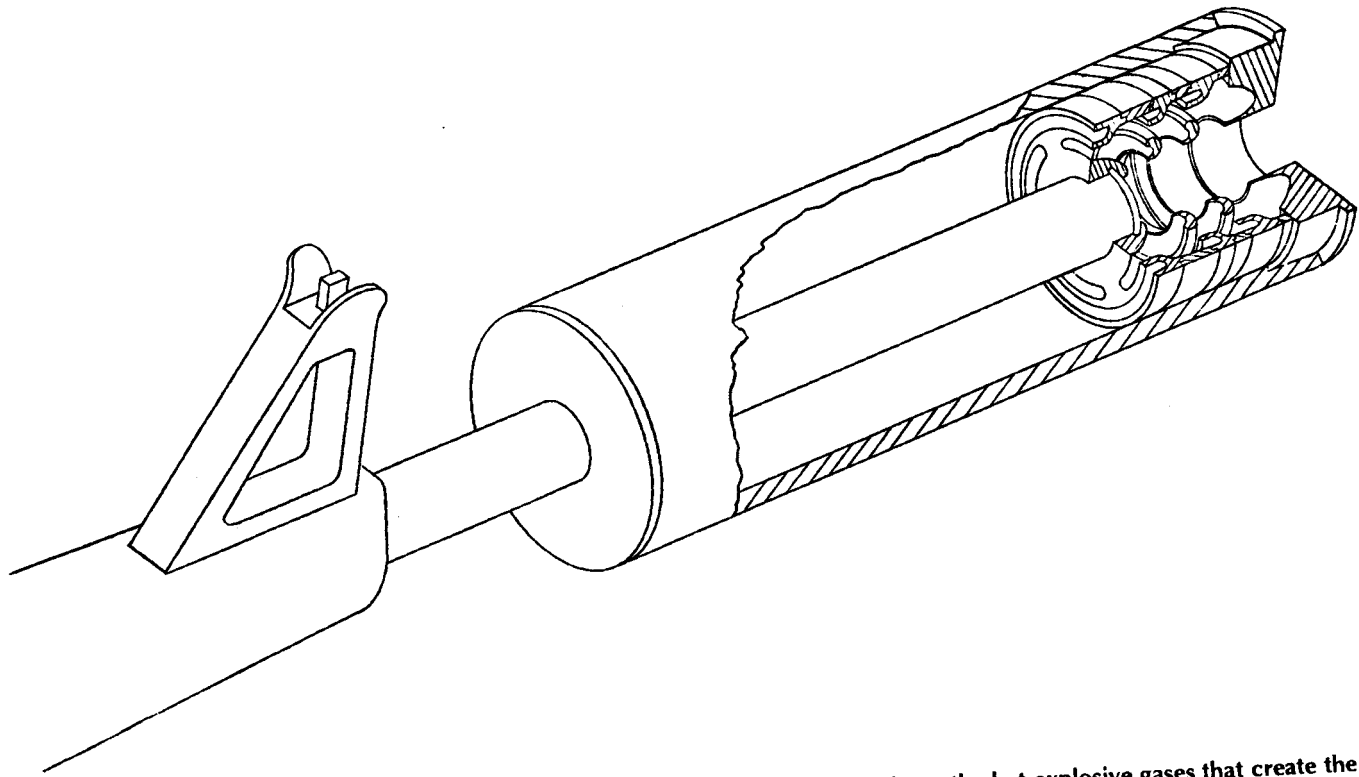
There is an in-between world, though, which I modestly call the Land of Haydukery. There are times in the conduct of human affairs when it becomes necessary to Hayduke someone or something through the nonlethal use of a firearm, and prudent tactic suggests a silencer. I'll suggest some actual scenarios a bit later, but there are some preliminary considerations to disseminate.

First, some explanations. Unlike the savants in the field of firearm silencers (see Chapter 8), I am not going to be technical or anti-semantic. For example, I will call a silencer a silencer, unlike the picky correctocrats who insist on calling them suppressors. I might refer to a silencer as a *can*, because that's how the real manufacturers refer to a silencer when they talk among themselves, away from us mortals.

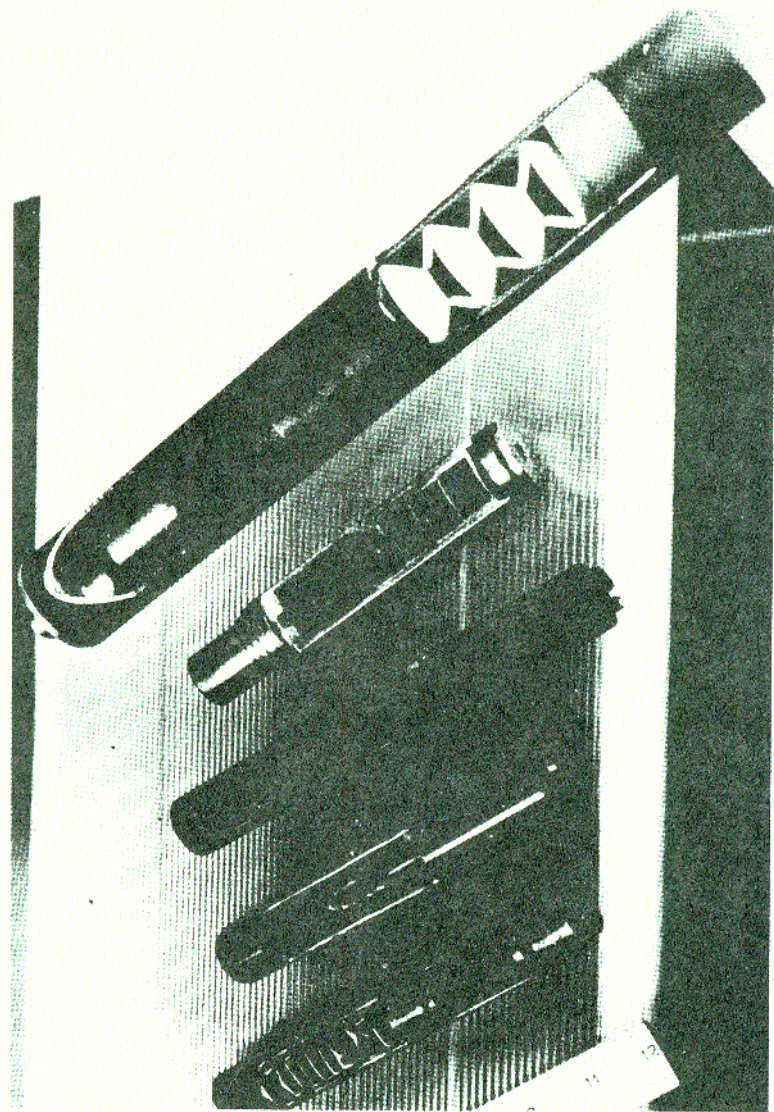
Another thing; don't look for a lot of math and physics babble in this book. My silencer ideas just make guns shoot quieter without any concern for decibel reduction squared upon itself, or any other mental masturbation that technocrats usually use to baffle us with their bullshit. What you get in this book is how to build a working silencer at your kitchen table in less than an evening's time, using only common hand tools and easily available, inexpensive materials.

That's right; your kitchen table, hand tools, hardware store supplies, and my really-easy-to-follow instructions, complete with illustrations. That's it. You don't need a lathe, or even have to know anyone who has one, to make these very effective silencers right in your own home. How's that for fun?!

Of course, there is the legal swamp. If you wish to build or purchase a silencer legally, you can still do so



Close-up detail shows how baffles ring a ported barrel to slowly bleed and dissipate the hot explosive gases that create the gunshot noise. (Illustration courtesy of J. David Truby, *Silencers, Snipers & Assassins*)



This photo shows a variety of silencers recovered by Canadian law enforcement officials. They are cutaway so that the serious scholar of silencerology can study the design details and note the differences in acoustical engineering. (Photo courtesy of John A. Minnery)

as of this writing. It seems that the anti-gun Loony Tunes are turning up the volume on their babble about legislating silencers into illegality. Nonetheless, if you can still purchase a silencer legally by the time you read this, it will cost you a lot of money to do so, and your name and fingerprints will be on permanent file with the feds; not the coolest of situations for an active Hayduker.

The next option is an illegal silencer. These can be had quite easily, about the same way you might pick up an illegal, unregistered handgun—knowing the right person in the right bar, pawnshop, or other environment where shady entrepreneurs hang out. All it takes is cash, with no questions and no paperwork. This is very risky, however, because the federal cops like to set up sting operations and other nasty entrapments so they can bust people who buy and sell illegal silencers.

I'd avoid this option if I were you. If you must exercise this option, please be careful. Trust nobody. Set up cutouts. Play it very safely and stay out of jail. As my old pals Lyle and Tector Gorch from Idaho advise, "Don't trust even Jesus with a used rubber."

Instead, why not make your own silencer?! You don't have to be an engineer, master craftsman, or even a machinist to make a silencer. Silencers are all around us, just waiting to be created by modifying something into something else that will quiet a firearm. For example, turning a 2-liter plastic pop bottle into a silencer takes only a few moments and a bit of electrical tape.



**CAUTION:** *It is illegal to build or possess an unregistered silencer.* You can get your sweet ass in a whole lot of deep, murky, serious shit if you actually build or possess an unregistered and therefore illegal device. And since you're not a truly dangerous criminal, the feds will bust you quicker and easier than they would a real bad guy. Be very careful!

I included those harsh words to warn you. If you actually take me seriously in the following pages and illegally build, modify, or create a silencer and/or have one in your possession, it is a major felony-type federal crime. And believe me, the feds are out there laying their repressive presence over the nation like the lid of a pressure cooker. I certainly don't want you, a loyal reader and friend, to become a victim of our national Department of Injustice.

So take my advice: If you want to build a silencer, *file the necessary paperwork* with the Bureau of Alcohol, Tobacco and Firearms (BATF) before you start or even contemplate construction. You have to have their approval before you begin any manufacture or take possession of any silencer, as indicated on the special federal forms that are reproduced in this book. That's the straight, stand-up way to do things in a kinder, gentler America, gentle reader. You also need to check your state and local laws to see what the legal situation is for silencers in your area. I really think you should approach this carefully and legally, as I suggest in Chapter 4.

So why do people build and possess illegal silencers if the penalty is so heavy? I already explained why. Silencers are neat, a lot of fun, and often very useful. Confused? Are you asking yourself if you should or should not use the information in this book to build a

silencer of your very own, and possibly use it in a few of the scenarios presented here? Alas, there are many decisional pitfalls in our world of social discourse, and for me to say what is proper is actually improper. Use your own vulgar judgment. When in doubt, however, do the opposite of what seems to be right.

As you peruse the pages to come, think before you act, create, build, or possess. But always remember that old German proverb, "The silent dog is the first to bite."

## Some Neat Things You Can Do With Silencers

Guns are portable, which is how handguns originally got their name, according to that staunch Left Coast gun rights advocate, Ms. Jonni McNamara of San Jose. It's no secret that we live in dangerous times in a dangerous country. That's how people finally realized what Poppy Bush meant by his famous "thousand points of light" cliché—it's your dazed view just after a mugger slams you over the head. Hey, whadda you expect in a nation where Mace manufacturers advertise in *USA Today*?! But, I digress.

A silencer works exactly like the muffler on an automobile. The muffler alters and reduces the very loud sound of an internal combustion engine's exhaust. A firearm silencer alters and reduces the very loud sound of a firearm's discharge. Simply stated, a silencer muffles a firearm's report.

A couple of facts you should know. Silencers are never truly as silent as they are shown on television, nor are they as small as the TV cans. Second, silencers

do not work well on revolvers because of the open nature of a revolver's action—most of the explosive sound leaks out through the frame and cylinder. Thus, silencers work best on closed-system guns, like single-shot, semiautomatic, or bolt-action guns.

Anytime you would want to fire a gun in a situation where you would be happier if nobody could identify the sound as a gunshot, you need a silencer. If you want to disguise the sound of a shot so a listener thinks he or she has heard something else, you need a silencer. If you don't want a potential ear witness to know from which direction a shot was fired, you need a silencer. If you've read some of my revenge/humor books, you can probably recall some situations where a firearm silencer would have been, as Ollie North is fond of saying, neat as hell to have.

So, as the wonderful comedian Steven Wright once asked; "If you're going to shoot a mime, should you use a silencer?" I really don't know the answer to that one, but the following are a few scenarios I've come across in my various lifetimes of experiences in which silencers were useful and/or fun. I am also including the experiences and suggestions of personal friends whose colorful and often shadowy lives have wafted into the arcane world of silencers. Treat these next few pages as either a menu of ideas or a creative compost pile of potential silencer uses for your adoption, adaptation, or modification. Or, just read for the good, pure fun for which all of this is intended.

### **TREE SPIKING**

This practice is credited to the EarthFirst! movement and dear old Ned Ludd. It involves driving spikes, nails, or other hard foreign objects into trees that are marked

to be murdered by the various land rapists who cut down too many to begin with. The idea is that the bad guys' massive chain saws will be ruined when they bite into these spikes, thus upsetting the cutters and not the trees.

Obviously, pounding large nails and spikes into trees makes noise, which will alert the land rapist bully boys, a.k.a. security guards, who come in and bang heads, arrest folks, and so on. Sooooo, why not use a silenced gun to launch your projectiles? You can use ordinary ammunition or special missiles (e.g., spikes), which can be fired from some of the mini-flare launchers sold on the sporting goods market. It's really a rhetorical question.

### **SPARING A ROD**

Perhaps you want to down a tree, or at least part of it. My old pal Pedro Maxishields is a gun lover who had a nasty neighbor whose sewer overflowed into a third neighbor's yard. The nasty neighbor denied any liability, then physically threatened the elderly neighbor if he called the police.

"This sumbitch had a towering pine tree in his yard that he was most proud of, and it sat right beside this quaint little gazebo he and his shrewish wife adored," Pedro related to me.

"One stormy afternoon when it was thundering like hell, I was struck by this brilliant idea. I would make lightning wreck his tree . . . sort of.

"I hooked a big old silencer on the end of my hunting .30-06. The damn can must have been two feet long and thick as a baseball bat. I got in an upstairs room across from that tree, opened the window, and commenced firing that silenced rifle every time the

thunder boomed or the rain was especially hard. It took me twenty-five shots and about half an hour, but all of a sudden there was this cracking groan and the top twenty feet of this huge, top-heavy tree toppled over and crashed destructively downward.

"The damn thing didn't land on the gazebo, though," Pedro said, stifling a shrieking laugh. "Hell no; it twisted around and fell right smack on the roof and skylight of his new kitchen addition, a one-story add-on less than two years old. Smashed the hell out of the roof, and busted this big skylight that was one-third of the roof's surface.

"The rain came in and wrecked their furnishings, too. It took all kinds of people and time to clear and repair the mess. His insurance people didn't pay either, claiming the lightning hit the tree and that was an act of God and nature. He had to take them to court to get his money and that cost him, too."

Only God can make a tree, but a helpful neighbor can bring one down in the interest of justice.

Good shooting, Pedro.

### BODY PILING

I got this grand idea from several colleagues, namely Max Rottweiler, Juan Manureie, and Iron Mike McGough, all rough-and-tumble gun lovers and liberal bashers. I'll let Max tell the tale, since he is the most literate of the three.

"There was this dweeb next door to our condo who used to feed birds, which is cool," Max relates with his lopsided, goofy grin. "He'd put out pounds of millet and sunflower seed and twelve thousand flocks of birds would come to feed on the stuff. Every flying glutton in the Western Hemisphere was there. That's where the

problem started.

"These birds would bring the seed to trees in our yard to eat, scattering debris all over our place. There was seed, hulls, feathers, doo-doo, and garbage everywhere. And the noise was unbearable in the early morning. We asked Mr. Dweeb to please tone it down, so to speak. He told us to stop harassing him or he'd call the police. We beat him to the punch and called in Mike's silencer."

Mike's silencer was a simple, homemade job mounted on a finely tuned Winchester .22-caliber target rifle. The boys loaded in some .22 shorts and started to let fly at the feathered feeding frenzy. There was no noise, no muss, and no fuss.

"Dweeb came over to bitch at us and we played dumb and innocent; told him the birdies probably ate so much their bellies exploded. Mike told him that he was probably poisoning the birds himself. We also told him that we were going to call homicide and report him for bird poisoning," Max said.

I suspect there was much coarse laughter over that one, proving again that a bird in sight is better than one dumping in your bush.

### **LIGHT OF MY LOVE**

First, you have to realize that this amorous couple get their jollies by making it in semi-public places. Being refugees from the 1960s, these flower-generation geriatrics enjoy a post-dawn genital workout on a blanket in the public park of their town. No witnesses to offend . . . until the White Bow Asswipes showed up.

"We have some moral Nazis in our community, real pukeheads called Citizens for Decency, who hate anyone to have any sort of sexual expression or fun,"

my friend Musio told me.

"These goat-sucking religious nuts talked the local cops into putting up a large floodlight right near where my lady and I liked to make love. We didn't bother anyone until these right-wing religious fruitcakes began spying on people."

Being quite familiar with those pious Bible bangers and their rigid moral code for everyone, I tut-tutted in agreement. Musio did have a solution, which he explained to me.

He and his lady friend, Pecha, continued to go to the park. When they felt the urge to get naked and have some fine fun with each other, Musio simply stuck his homemade silencer on the end of his fine .22 target pistol and extinguished the lightbulb. On behalf of the religious loonies, it's probably a good thing that Musio is a lover and not a fighter. He's also one hell of a good shot. Then, as you know, the penis is mightier than the sword, by lord.

\* \* \* \* \*

Those are just a few situations in which silencer use was fun, quite appropriate, and possibly quite illegal. I'm sure your imagination and further study on this topic (see Chapter 8) will allow you to create vignettes of your own. Now it's time to see what you'll need to construct a silencer.



## CHAPTER 3

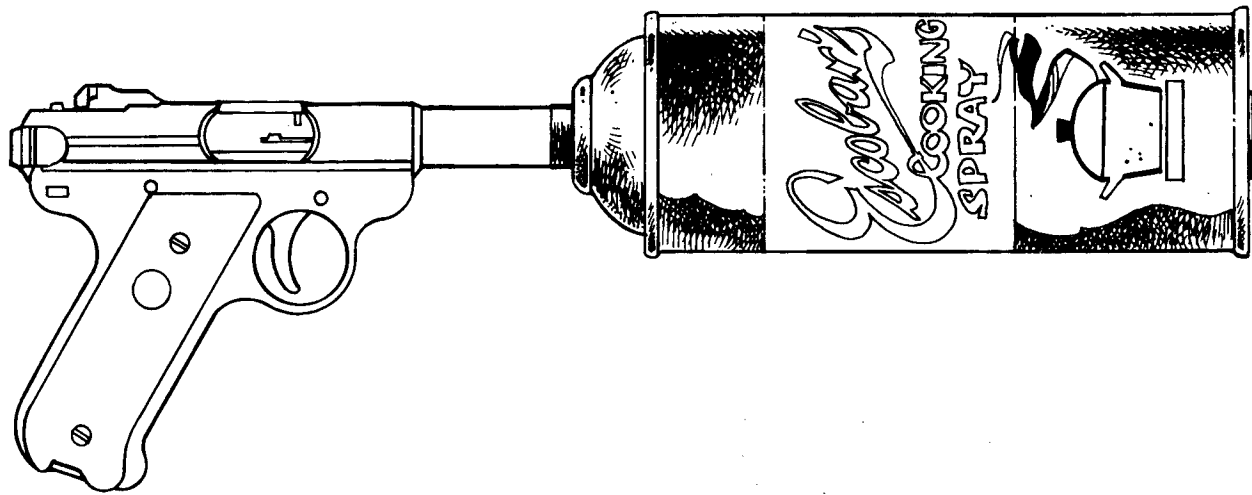
# The Hayduke Homemade Silencer Shopping List

Professionally produced silencers are usually gorgeously machined and gorgeously expensive. Many of them are so complicated that they baffle (ho ho) even the experts.

Nonsense. Your silencer will be as inexpensive and simple as you are yourself, or wish to be, or wish it to be. There are some common items you will need, though, to construct the silencers in this book. And, as you might have guessed, here is where I will tell you what you need.

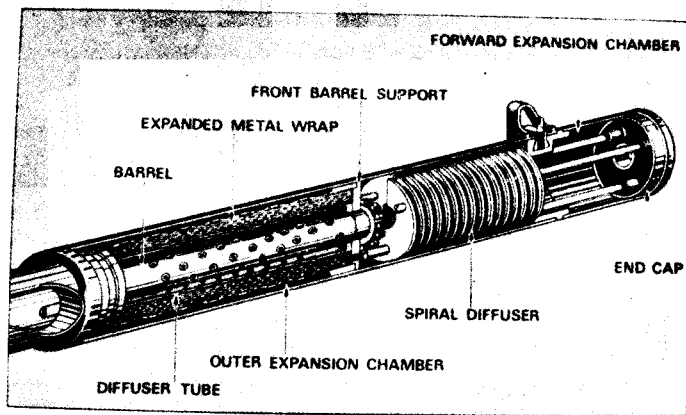
### AMMUNITION

You already know that most ammunition is supersonic, thus adding the sonic boom effect to your problem of quieting gunfire. You need to bring that round down to subsonic levels. This is done either by using an already subsonic round, like the .45 ACP, or by porting your gun's barrel into the silencer to bleed off gases, thus slowing a supersonic round to subsonic.



A common household item, like this empty aerosol can of Escobar's Cooking Spray, makes a fine improvised silencer, as do many other items found in the home. Use tape, a compression fitting, or a hose clamp to attach the can to your gun. (Daryl Gates Designs)

There is another very easy way, which I recommend. Simply buy standard or subsonic velocity .22 or 9mm ammunition in the first place. *Caution:* Do not tell them why you want this type of ammo. Some gunshop denizens suck up to BATF thugs by ratting on nice folks like you.

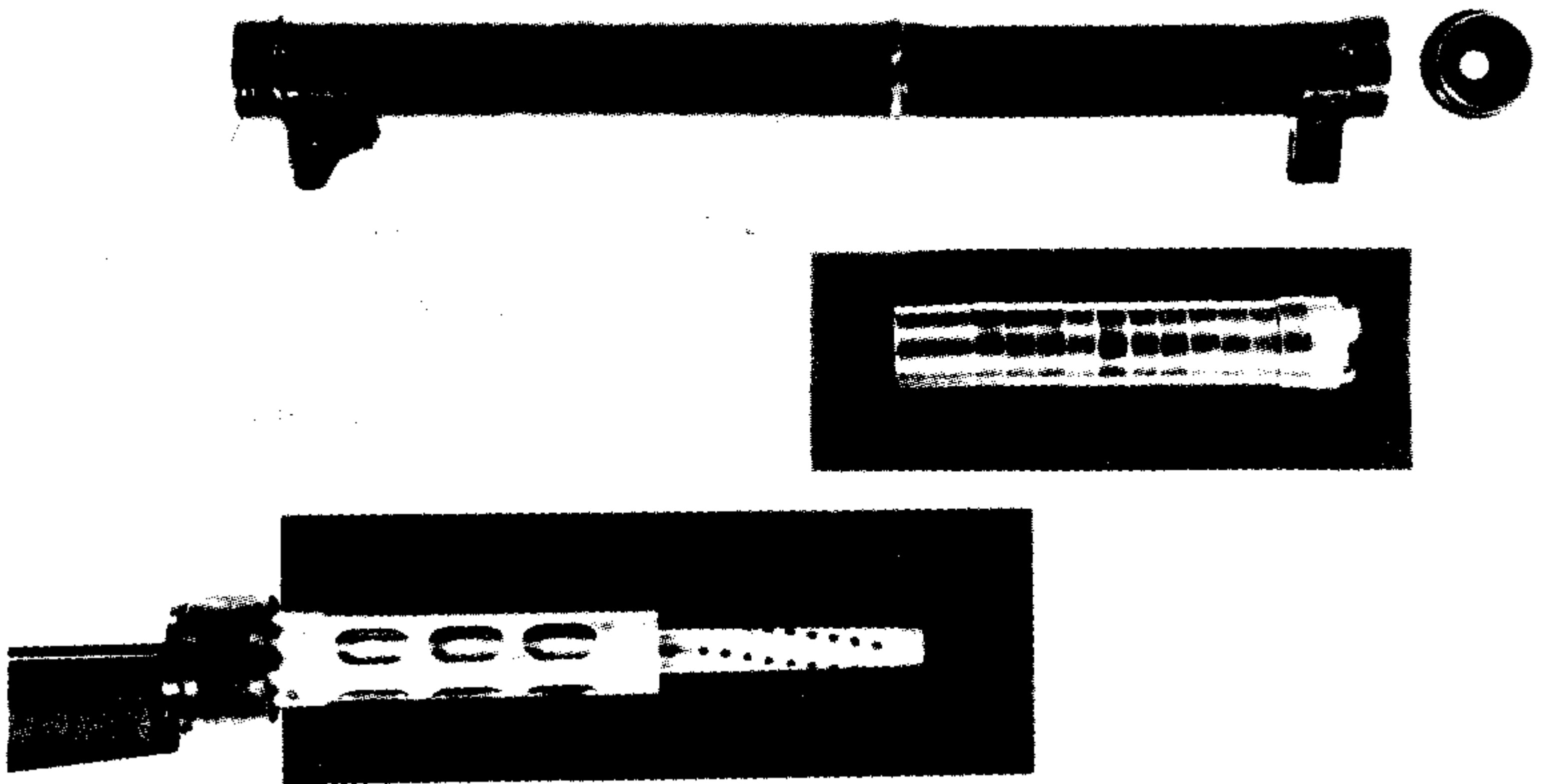


For the serious student of silencerology, I present a cutaway model of a highly complicated and highly effective silencer, designed and built by professionals for the Sterling submachine gun. (Illustration courtesy of Sterling, Ltd., via J. David Truby, *The Quiet Killers II*)

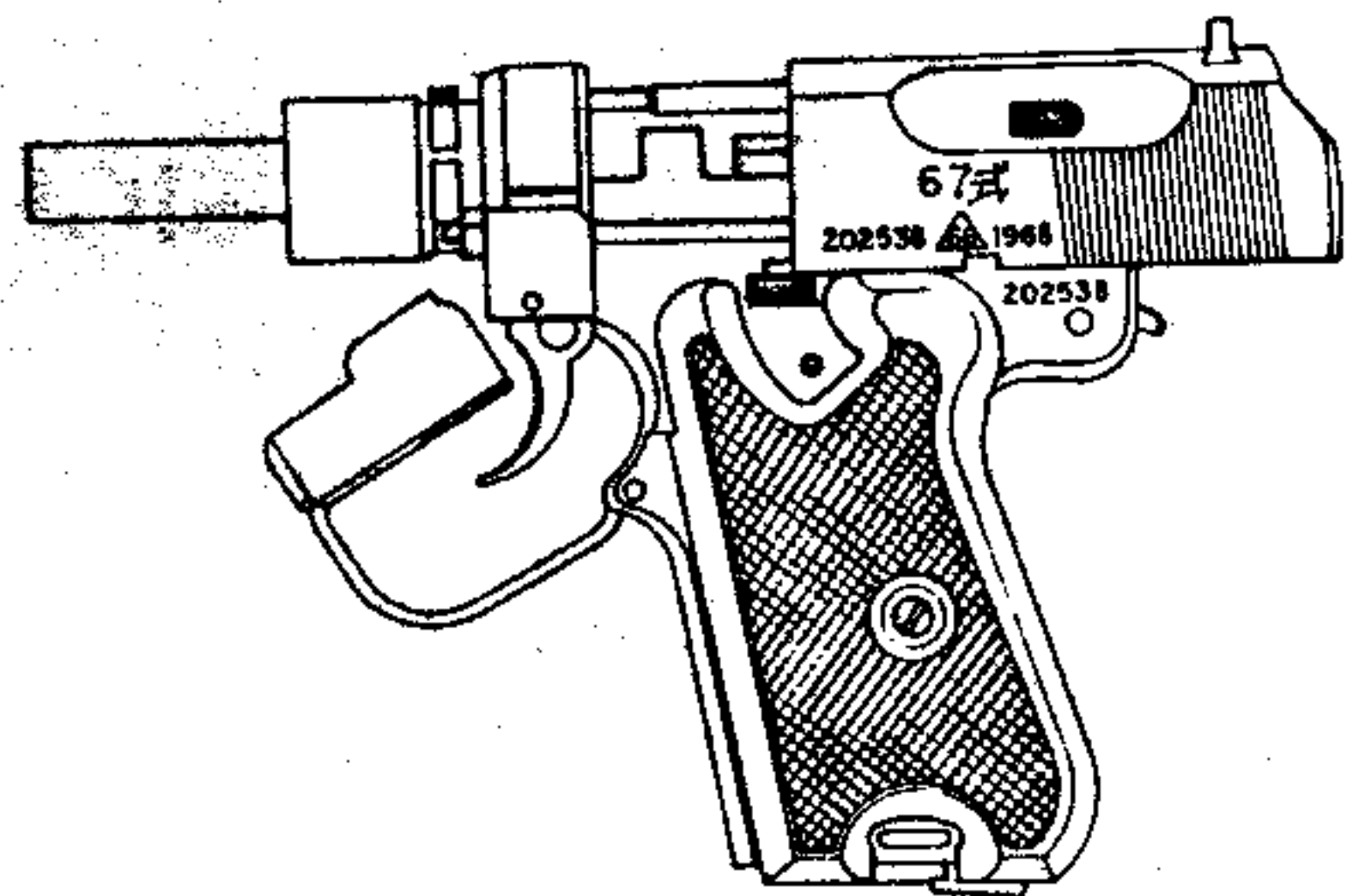
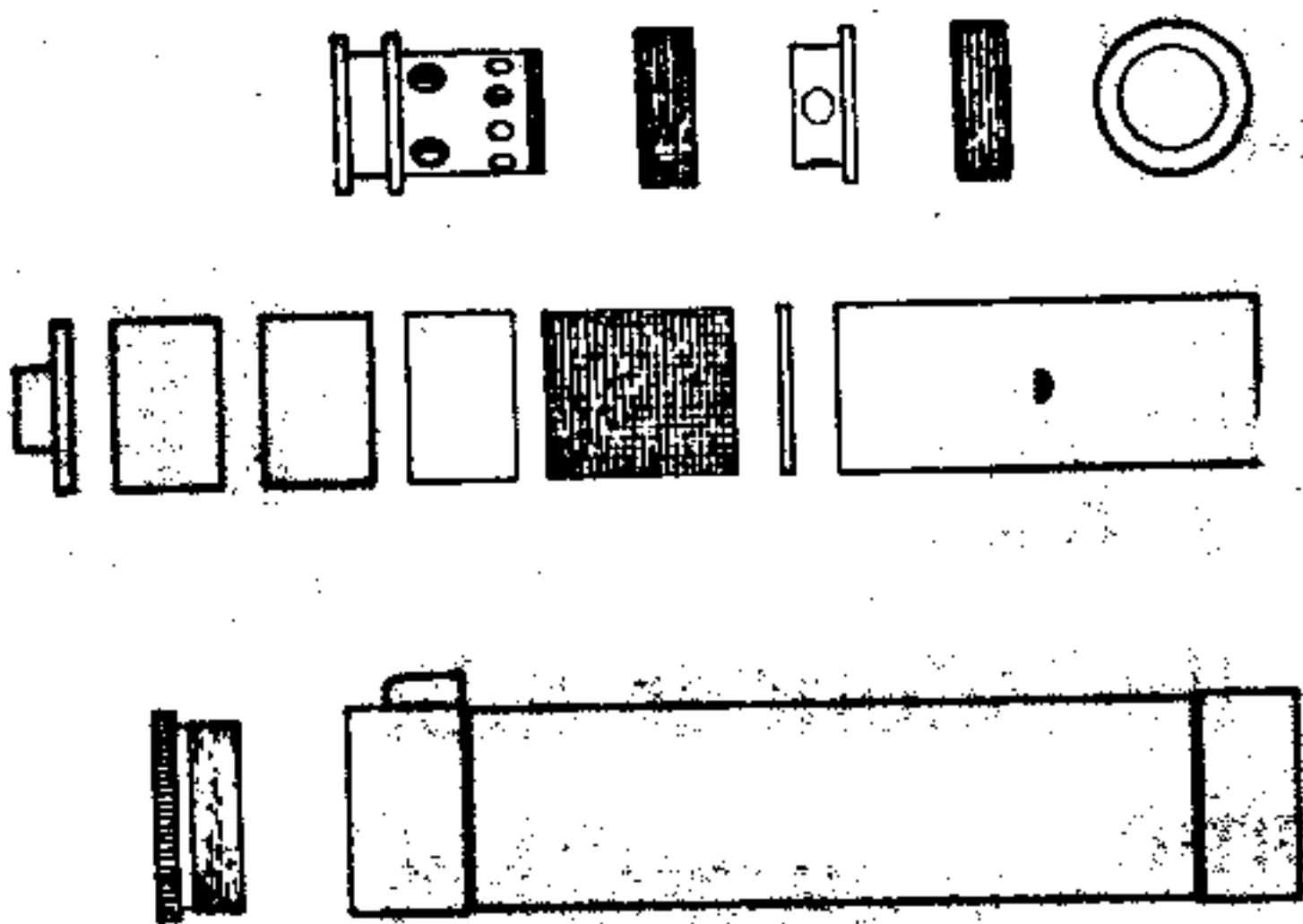
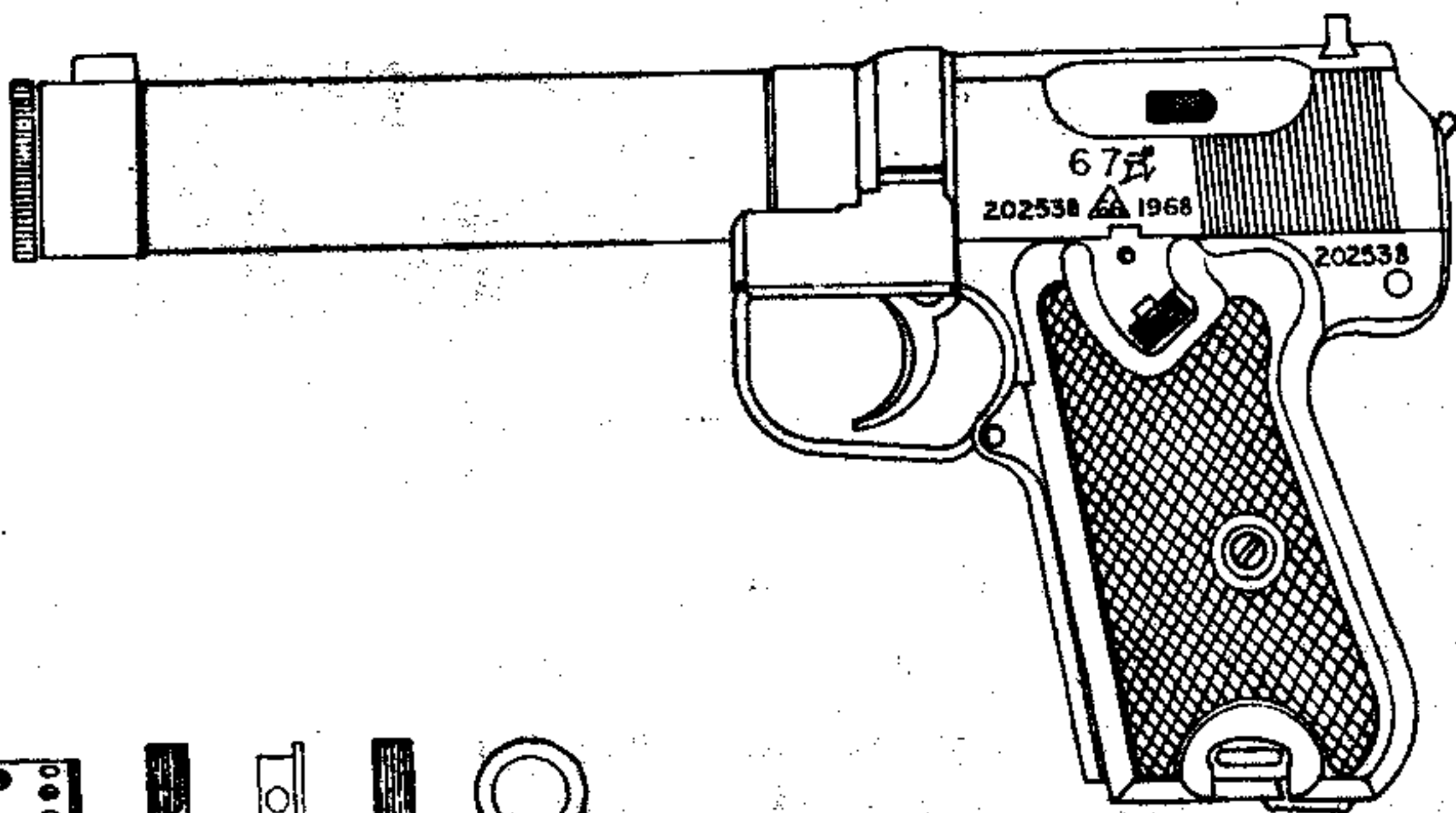
## SIGHTS

You may have to remove the front sight from your rifle or pistol to accommodate the silencer tube. Even the original sights on many commercial cans are useless because of the silencer's bulk, so they are simply removed to facilitate engineering.

Whatever the case may be, it is likely that your silencer will be concentric, meaning it will render the front sight useless. Therefore you are either going to have to reinstall a front sight on the silencer and realign your sights, or mount a telescope sight on the weapon.



This silencer is from a ChiCom Type 64 submachine gun, a special-mission weapon brought back from Southeast Asia for use by the U.S. Army's Foreign Service & Technology Center. It is an effective, professional design utilizing a ported barrel and baffles. (U.S. Army FSTC)



These rare sketches show the current ChiCom assassination favorite, the Type 67 pistol with integral silencer. The lower sketch shows the detail of the baffle and screen silencer. (Illustrations courtesy of Tracy Barnes)

You can also simply eliminate a front sight. The way many people can't shoot, it might not matter.

## TOOLS

You aren't going to need a workshop full of tools to build these silencers. You probably have most, if not all, of them in your home now. Here is my list of the common tools you'll need:

1. A small electric hand drill, cordless or not, and drill bits. My advice is to buy one of those plastic-cased assortment packs of bits.

2. A good hacksaw. Actually, a hacksaw is better than a small power saw because you won't be doing much volume or heavy-duty cutting. The more precise hand model is for you.

3. A good, solid ball-peen hammer is essential, as is a good rubber mallet that won't scratch or mar the fine metal finish on your gun.

4. Wrenches. I suggest both a small- and medium-sized crescent wrench. Also, you could probably make good use of a plumber's slip-joint wrench, and everyone's old standby, a good set of vice grips.

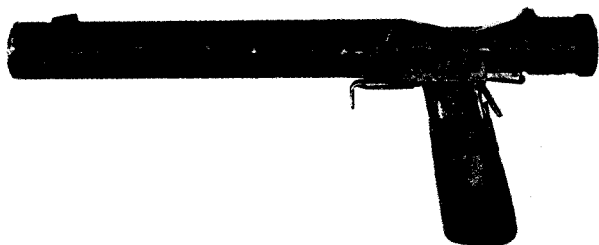
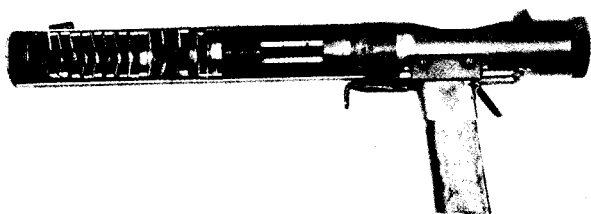
5. A rivet gun and rivets will be useful for some designs. You'll be working with light fastening, so nothing fancy is required.

6. A set of files. Again, the usual prepackaged selection will be fine.

7. A ruler, a metal marking punch, and scissors round out the list.

## MATERIALS

The list of materials you'll need is pretty basic, too. Since I have no idea what type or size silencer you're going to build, I will leave the sizes, amounts, and quantities that you purchase up to you. The plans in Chapters 5 and 6 tell you the specific items you'll need for each design, so consult them before you shop.

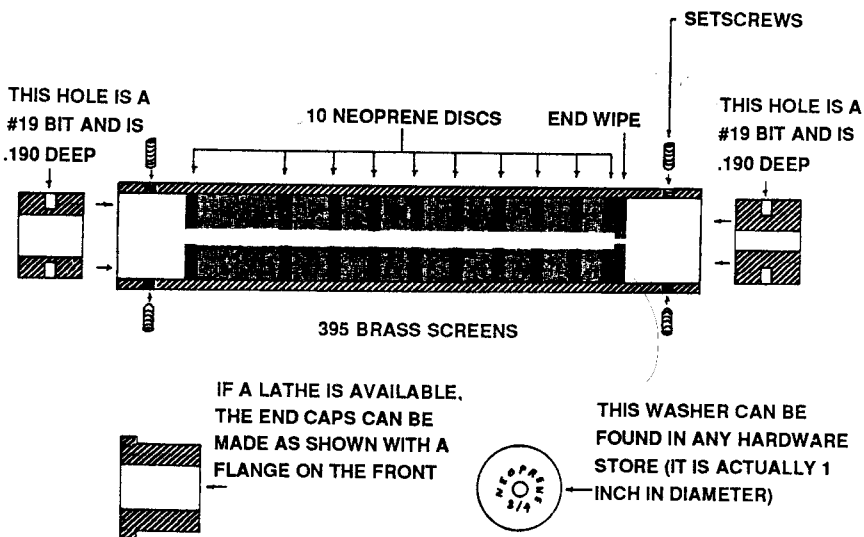


Another professionally designed and produced assassin's gun, the British Welrod is probably one of the finest and most effective designs in silencer history. Its baffle design is shown here in cutaway form for study by serious silencerologists. (Photo courtesy of Tejhuseumset, via J. David Truby, *The Quiet Killers II*)

What I am offering here is basic, generic, and common materials. Like the tools, these are readily available in hardware, automotive, and home-improvement shops. Common caution suggests that you spread your purchases over several stores to avoid suspicion. And if I were you, I would not discuss the purpose for your purchases with anyone.

You will need six rolls of black electrician's tape and a roll of duct tape. Get good quality tape, please. Pass up the bargain cheapie stuff—it's generally not tough, strong, or very sticky. Epoxy is very useful to have as well.

You'll also need lengths of both PVC and aluminum



This diagram shows a commercial silencer designed in the early 1980s for use with .380 and .45 ACP pistols. It is a simple yet effective screen-and-baffle design that was sold commercially for a while. The detailed instructions will aid the serious student of silencer design greatly. (Illustration courtesy of A.Z. Santini)

pipe, in smaller sizes (e.g., 3/4-, 1-, and 2-inch). You can make the determinations based on what size silencer you want to build for what caliber gun. The plans in Chapters 5 and 6 will guide you in this.

Buy either aluminum or copper window screening. It has to be true metal, so don't buy plastic screening. Again, the amount will depend on which plans you choose.

Buy some Chore Boy pure copper cleaning sponges, too. They make great internal packing for silencers.

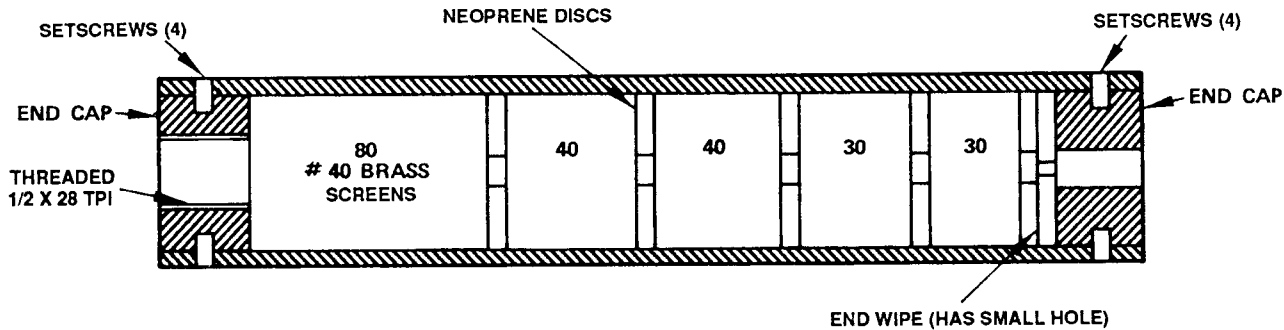
A selection of the appropriately sized frieze plugs, metal washers, rubber stoppers, and the like will be useful in most of the designs, as you'll soon read. Save

some of that plastic peanut packing material you throw out, too. And start buying your soft drinks in the 2-liter plastic bottles.

Why?

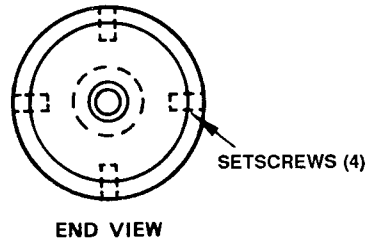
The answer is in Chapter 5, but *please* read Chapter 4 first. *Please!*



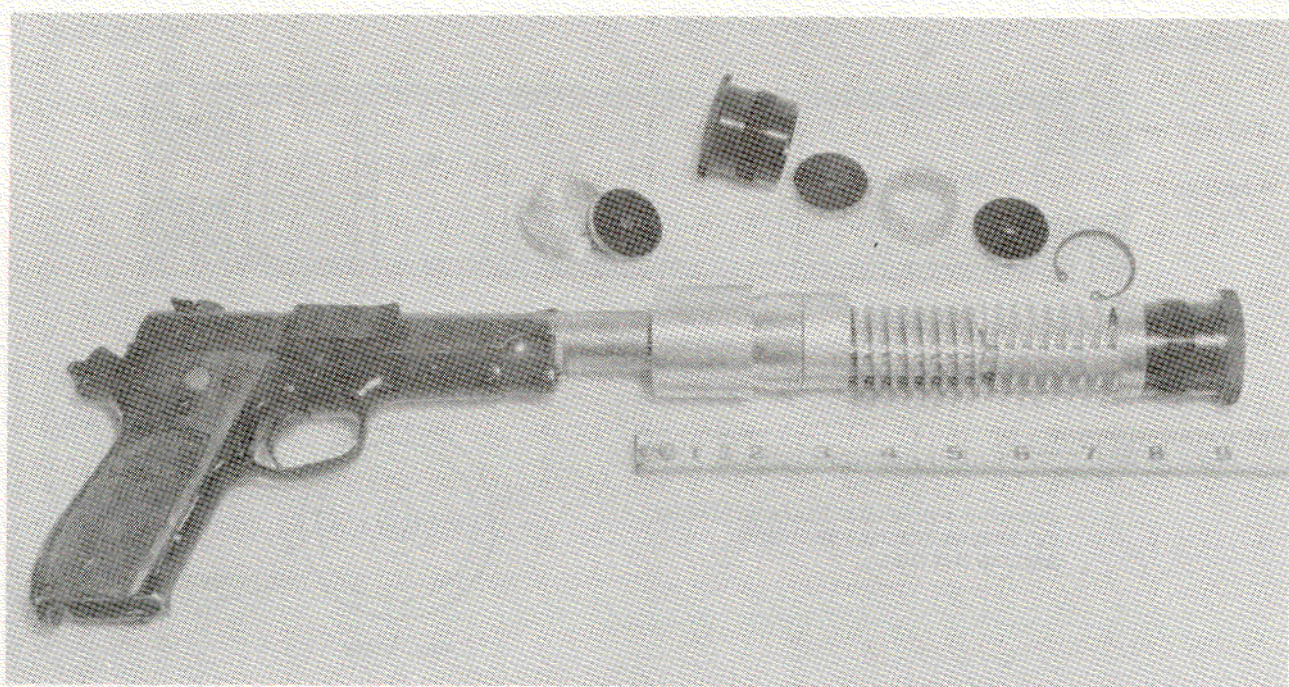


**NOTE:**

END CAPS ARE HELD IN PLACE WITH FOUR SETSCREWS EQUALLY SPACED AROUND THE TUBE



Another commercial silencer from the early 1980s is this fine effort by R.E. Choate, a superb machinist and silencer designer. It is a baffle-and-screen model. The detailed engineering diagram here is of great value to the student of silencerology. (Illustration courtesy of R.E. Choate, via J. David Truby, *Silencers in the 1980s*)



Here is a stripped silencer from a kit designed in the 1980s by RFP, Inc. Mounted on an S&W 39, this silencer is a wiper design using baffles, chambers, and an unusual ported swirl section. (Photo courtesy of J. David Truby, *Silencers in the 1980s*)

## CHAPTER 4

# Your Last Chance To Be Legal

If I bore you with my warnings about what the federales will do if they catch you with an illegal silencer, let me ask you if losing \$10,000 and several years of your freedom sounds boring, too? That's why I want to make this final plea about how to obey all federal, state, and local laws regarding silencers.

Did I mention that it's against the law to have silencers? That's why they're called illegal silencers, you see. I should add that the majority of federal officers, most of whom have little or no sense of humor, view "intent" very seriously. That is, if you have a can that they say you *intended* to use as a silencer, you're in deep, murky doo-doo. As one federal authority told a silencer savant in a federal courtroom years ago, "If you put a toothpaste tube on the end of your .22 and it cuts down the sound blast even one decibel, that's intent to make a silencer, and that is illegal."

According to the feds, you cannot assemble, manufacture, purchase, receive, or possess any silencer that is not federally registered. To register that silencer, you have to endure a rather complex bit of bureau-



This illegal silencer was made simply from a garden tractor muffler and used with a .22 rifle. It was packed with steel wool. Though it looked crude, it was quite effective. (Photo courtesy of New Jersey State Police)

cratic and authoritative genuflecting that involves mug shots, fingerprinting, tax payment, and permission from a local law-enforcement official. You will have to go through all of this if you want to be legal.

To help you with this legal brouhaha, I have reproduced the federal forms you will need to legally and pleurably pursue the unsounds of silence. These include:

1. *BATF Form 1*. This is the form you file in duplicate with the feds before you actually build a silencer. It will register your silencer with the federal government. Filing this form requires your photograph, fingerprints, a local law-enforcement sign-off, and payment of a \$200 manufacturing tax.



Although some critics refer to this as a mashed-potato maker, there are documented accounts of people using the "spud silencer." It is obviously a one-shot weapon with limited use. It is shown here mounted on a zip gun used by a street-gang member in the late 1960s. (Photo courtesy of John A. Minnery)

It is very important that you do not start any construction on your silencer until this form comes back approved by the appropriate BATF official. Under current law, the BATF considers silencer parts to be controlled items under the National Firearms Act. The point is, if you start assembling these NFA parts prior to having that approved Form 1 in your possession, the feds could claim *prima facie* evidence of intent to manufacture an unlicensed silencer.

If that sounds stupid, petty, nasty, silly, and legally serious, that's because it is. The only non-silly part of it

## DEPARTMENT OF THE TREASURY - BUREAU OF ALCOHOL, TOBACCO AND FIREARMS

## APPLICATION TO MAKE AND REGISTER A FIREARM

DETACH THIS SHEET BEFORE COMPLETING FORM

## INSTRUCTIONS

## 1. DEFINITIONS.

a. **FIREARM** The term "firearm" means: (1) a shotgun having a barrel or barrels of less than 18 inches in length; (2) a weapon made from a shotgun if such weapon as modified has an overall length of less than 26 inches or a barrel or barrels of less than 18 inches in length; (3) a rifle having a barrel or barrels of less than 16 inches in length; (4) a weapon made from a rifle if such weapon as modified has an overall length of less than 26 inches or a barrel or barrels of less than 16 inches in length; (5) any other weapon, as defined in b. below; (6) a machine gun; (7) a muffler or a silencer for any firearm whether or not such firearm is included within this definition; and (8) a destructive device. The term "firearm" shall not include an antique firearm or any device (other than a machine gun or destructive device) which, although designed as a weapon, the Director, Bureau of Alcohol, Tobacco and Firearms, or authorized delegate finds by reason of the date of its manufacture, value, design, and other characteristics is primarily a collector's item and is not likely to be used as a weapon.

b. **ANY OTHER WEAPON.** The term "any other weapon" means any weapon or device capable of being concealed on the person from which a shot can be discharged through the energy of an explosive, a pistol or revolver having a barrel with a smooth bore designed or redesigned to fire a fixed shotgun shell, weapons with combination shotgun and rifle barrels 12 inches or more, less than 18 inches in length, from which only a single discharge can be made from either barrel without manual reloading, and shall include any such weapon which may be readily restored to fire. Such term shall not include a pistol or a revolver having a rifled bore, or rifled bores, or weapons designed, made, or intended to be fired from the shoulder and not capable of firing fixed ammunition.

c. **PERSON.** The term "person" means any individual, company, corporation, association, firm, partnership, joint stock company, trust or society.

## 2. PREPARATION OF APPLICATION TO MAKE AND REGISTER A FIREARM, AND PAYMENT OF TAX, WHERE REQUIRED.

a. As provided in §5822 of the National Firearms Act, every person [other than a licensed manufacturer who has also paid the required special (occupational) tax to manufacture NFA weapons] seeking to make a firearm must complete, in duplicate, a separate application on this form for each firearm. The applicant maker must furnish all the information called for on this application form.

b. The applicant must present this form to the law enforcement agency having jurisdiction in his area of residence (Chief of Police, Sheriff, etc.) for completion of the Law Enforcement Certification on the back of the form. If the applicant is other than an individual, the trade name should be entered as "name of maker."

c. If the applicant is an individual (including a licensed collector), an unmounted photograph (2" x 2" taken within the past year) must be affixed in the indicated space on both copies of the form, and completed FBI Form FD-258, Fingerprint Card, must be submitted in duplicate. The prints should be taken by someone qualified to do so and must be clear, unsmudged and classifiable. In addition, the person taking the fingerprints must enter the identification data regarding the individual maker and must complete the Fingerprint Cards by signing as the person taking the fingerprints.

d. All required signatures must be entered in ink. It is preferred that the form be prepared by use of a typewriter, using carbon paper to make an exact duplicate. Pen and ink may be used, but under no circumstances will a form filled in by use of a lead pencil be accepted. The signature on both copies must be an original. Photocopies, other facsimiles, or carbon copy signatures are not acceptable. All changes made on the form must be initialed and dated by the applicant.

e. Unless the making of the firearm is tax exempt (see instruction 4 below), a \$200 making tax must be paid (Title 26 U.S.C. Chapter 53, §5821(a)).

f. Item 4a. of the form should clearly indicate if the parts of a receiver which had been destroyed in accordance with Department of Defense (DOD) demilitarization standards will be used to "make" the receiver of the firearm. The name of the manufacturer of the original receiver should be shown, as well as any serial number appearing on such receiver. Please note that a machinegun receiver which has not been destroyed according to current DOD demilitarization standards may be classified as a National Firearms Act (NFA) weapon in and of itself. It is unlawful to possess an NFA firearm which is not registered to the possessor and the weapon is subject to the seizure and forfeiture provisions of the law.

g. It is suggested that the Serial Number (item 4g on the face of the form) contain at least four digits, preceded by the maker's initials.

h. If any questions arise concerning the preparation of the form, contact the NFA Branch, Bureau of Alcohol, Tobacco and Firearms, Washington, DC 20226 or the nearest ATF office.

## 3. DISPOSITION OF APPLICATION TO MAKE AND REGISTER A FIREARM.

The applicant will forward both copies of the form to the NFA Branch, Bureau of Alcohol, Tobacco and Firearms, Washington, DC 20226, with a \$200 check or money order (where required) made payable to the Department of the Treasury. If approved, the original of the approved form will be returned to the applicant and ATF will retain the duplicate. Approval by ATF will effect registration of the firearm to the applicant. The applicant shall not, under any circumstances, make the firearm until the approved form, with the "National Firearms Act" stamp attached, is received. The form must be retained by the applicant and be available at all times for inspection by Government officers until such time as the firearm may later be transferred after approval by this office. If the application is disapproved, the original and any accompanying check or money order will be returned to the applicant with the reason for disapproval.

## 4. EXEMPTIONS FROM PAYMENT OF TAX.

a. Under the provisions of §§5852 and 5853, National Firearms Act, firearms, as defined in 1a. and 1b., may be made by any person without payment of the making tax when made by, or on behalf of: (1) the United States, or any department, independent establishment, or agency thereof; or (2) any State or possession of the United States, or any political subdivision thereof, or any official police organization of such a government entity engaged in criminal investigations. The maker must apply on this form and obtain the approval of the Director before making the firearm. Documentation that the firearm is being made for a government entity must accompany the application. A U.S. Government Contract number or a State or local government purchase order would be acceptable documentation. Upon receipt of the approved ATF Form 1, and after the firearm has been made, the maker must apply on ATF Form 5 for the tax exempt transfer of the firearm to the government entity for whom it was made.

b. A manufacturer who has paid special (occupational) tax to manufacture firearms may make the kind of firearm that he is qualified to manufacture without payment of the making tax and he is not required to file this application form. However, the qualified manufacturer must report and register each firearm made by filing ATF Form 2, Notice of Firearms Manufactured or Imported, with the Director, immediately after manufacturing the firearm.

(Continued on reverse)

ATF FORM 1 (7500.1) (4-52)

This is the BATF Form 1, which is used to apply for permission to build and register a silencer. Filed in duplicate, it must be accompanied by two fingerprint cards and a \$200 check. You must get a Form 1 approved, signed, and returned *before* you begin work on your silencer. (Courtesy of BATF)

## INSTRUCTIONS (Continued)

### 5. PERSONS PROHIBITED FROM MAKING A FIREARM.

Section 5822 of the National Firearms Act requires that the application to make a firearm be denied if the making or possession of the firearm would place the person making the firearm in violation of law. The term "law" in this statute includes Federal laws as well as State statutes and local ordinances applicable to the locality where the transferee resides. Under Title VII of Public Law 90-351, as amended, (18 U.S.C., Appendix, 1201-1203), the possession "in commerce or affecting commerce" of a firearm, including an unserviceable firearm which has a frame or receiver is unlawful when possessed by any person who:

- (1) has been convicted by a court of the United States or of a State or any political subdivision thereof of a felony, or
- (2) has been discharged from the Armed Forces under dishonorable conditions, or
- (3) has been adjudged by a court of the United States or of a State or any political subdivision thereof of being mentally incompetent, or

(4) having been a citizen of the United States, has renounced his citizenship, or

(5) being an alien is illegally or unlawfully in the United States.

### 6. PENALTIES.

Any person who violates or fails to comply with any of the requirements of the National Firearms Act shall, upon conviction, be fined not more than \$10,000 or be imprisoned for not more than 10 years, or both, in the discretion of the court. Moreover, any firearm involved in any violation of the provisions of the National Firearms Act or any regulations issued thereunder shall be subject to seizure and forfeiture. It is unlawful for any person to make or cause the making of a false entry on any application or record required by the National Firearms Act, knowing such entry to be false.

### 7. LATER TRANSFER OF THE FIREARM.

If the firearm is to be transferred later by the applicant, an application form covering the proposed transfer must be filed with the Director, Bureau of Alcohol, Tobacco and Firearms.

## PRIVACY ACT INFORMATION

1. **AUTHORITY.** Solicitation of this information is made pursuant to the National Firearms Act (26 U.S.C. §5621 and §5622). Disclosure of this information by the applicant is mandatory for any person (other than a manufacturer qualified under the National Firearms Act) making a firearm as defined in the National Firearms Act.
2. **PURPOSE.** To verify payment of the tax imposed by 26 U.S.C. §5621; to determine that the making would not be in violation of law; and to effect registration of the firearm.
3. **ROUTINE USES.** The information will be used by ATF to make the determinations set forth in paragraph 2. In addition, to effect registration of the firearm, information as to the identification of the firearm, date of registration, and the identification and address of person entitled to possess the firearm will be entered into the National Firearms Registration and Transfer Record. No information obtained from an application, registration, or records required to be submitted by a natural person in order to comply with any provision of the National Firearms Act or regulations issued thereunder, shall, except in connection with prosecution or other action for furnishing false information, be used, directly or indirectly, as evidence against that person in any criminal proceeding with respect to a violation of law occurring prior to or concurrently with the filing of the application. The information from this application may only be disclosed to Federal authorities for purpose of prosecution for violation of the National Firearms Act.
4. **EFFECTS OF NOT SUPPLYING INFORMATION REQUESTED.** Failure to supply complete information will delay processing and may cause denial of the application.

## PAPERWORK REDUCTION ACT NOTICE

This form is in accordance with the clearance requirements of Section 3507, PL 96-511, 12/11/80. The information you provide is used to establish that a transferee's receipt and possession of the firearm would be in conformance with Federal, State, and local law. The data is used as proof of lawful registration of a firearm to the manufacturer. The furnishing of this information is mandatory (26 USC 5822).

Form Approved: OMB No. 1512-0024 (8/31/84)

DEPARTMENT OF THE TREASURY - BUREAU OF ALCOHOL, TOBACCO AND FIREARMS APPLICATION TO MAKE AND REGISTER A FIREARM (Submit in duplicate. See instructions attached.)				1. TYPE OF APPLICATION (Check one)											
TO: National Firearms Act Branch, Bureau of Alcohol, Tobacco and Firearms, Washington, DC 20226				<input type="checkbox"/> a. TAX PAID: Submit with your application a check or money order for \$200 made payable to the Department of the Treasury. Upon approval of the application, this office will acquire, affix, and cancel the required "National Firearms Act" stamp for you. <input type="checkbox"/> b. TAX EXEMPT because firearm is being made on behalf of the United States, or any department, independent establishment, or agency thereof. <input type="checkbox"/> c. TAX EXEMPT because firearm is being made by or on behalf of any State or possession of the United States, or any political subdivision thereof, or any official police organization of such a government entity engaged in criminal investigations.											
The undersigned hereby makes application, as required by Sections 5821 and 5822 of the National Firearms Act, Title 26 U.S.C., Chapter 53, to make and register the firearm described below.															
2. APPLICATION IS MADE BY:		TRADE NAME (If any)													
<input type="checkbox"/> BUSINESS FIRM <input type="checkbox"/> INDIVIDUAL <input type="checkbox"/> GOVERNMENT ENTITY															
3a. APPLICANT'S NAME AND MAILING ADDRESS (Type or print below and between the dots)															
b. IF P.O. BOX IS SHOWN ABOVE, STREET ADDRESS <u>MUST</u> BE GIVEN HERE				c. COUNTY											
IMPORTANT: COMPLETE THE REVERSE SIDE. INDIVIDUALS (INCLUDING LICENSED COLLECTORS) MUST ALSO SUBMIT, IN DUPLICATE, FBI FORM FD-258, FINGERPRINT CARD.				d. TELEPHONE AREA CODE AND NUMBER											
4. DESCRIPTION OF FIREARM (Complete items a through i)				d. MODEL											
a. NAME AND LOCATION OF ORIGINAL MANUFACTURER OF FIREARM (RECEIVER) (If prototype, furnish plans and specifications) (See Instruction 2f.)		b. TYPE OF FIREARM TO BE MADE (Shortbarreled rifle, machine gun, destructive device, etc.)		c. CALIBER, GAUGE OR SIZE (Specify)		LENGTH    e. OF BARREL: (inches)    1. OVERALL: g. SERIAL NUMBER (See Instruction 2g.)									
h. ADDITIONAL DESCRIPTION (Include all numbers and other identifying data which will appear on the firearm)				i. STATE WHY YOU INTEND TO MAKE FIREARM (Use additional sheet if necessary)											
5. APPLICANT'S FEDERAL FIREARMS LICENSE (If any) (Give complete 15-digit number)				6. SPECIAL (OCCUPATIONAL) TAX STATUS											
<table border="1"> <tr> <td>First 6 digits</td> <td>2 digits</td> <td>2 digits</td> <td>5 digits</td> </tr> <tr> <td></td> <td></td> <td></td> <td></td> </tr> </table>				First 6 digits	2 digits	2 digits	5 digits					a. ATF IDENTIFICATION NUMBER		b. CLASS	
First 6 digits	2 digits	2 digits	5 digits												
				7. EMPLOYER'S IDENTIFICATION NUMBER (If applicable)											
IMPORTANT: GIVE FULL DETAILS ON SEPARATE SHEET FOR ALL "YES" ANSWERS IN ITEMS 8 AND 9															
8. IS APPLICANT				9. HAS APPLICANT											
a. Charged by information or under indictment in any court for a crime punishable by imprisonment of a term exceeding one year?				a. Been convicted in any court of a crime punishable by imprisonment for a term exceeding one year?											
b. A fugitive from justice?				b. Been discharged from the armed forces under dishonorable conditions?											
c. An alien who is illegally or unlawfully in the United States?				c. Been adjudicated as a mental defective or been committed to any mental institution?											
d. Under 21 years of age?				d. Renounced his or her citizenship, having been a citizen of the United States?											
e. An unlawful user of or addicted to marijuana or any depressant, stimulant or narcotic drug?															
f. A citizen of the United States				UNDER PENALTIES OF PERJURY, I DECLARE that I have examined this application, including accompanying documents, and to the best of my knowledge and belief it is true, accurate and complete, and the making and possession of the firearm described above would not constitute a violation of Chapter 44, Title 18, U.S.C., Chapter 53, Title 26, U.S.C., Title VII of the Omnibus Crime Control and Safe Streets Act, as amended, or any provisions of State or local law.											
10. SIGNATURE OF APPLICANT				11. NAME AND TITLE OF AUTHORIZED OFFICIAL OF FIRM OR CORPORATION (If applicable)		12. DATE									
THE SPACE BELOW IS FOR THE USE OF THE BUREAU OF ALCOHOL, TOBACCO AND FIREARMS BY AUTHORITY OF THE DIRECTOR, BUREAU OF ALCOHOL, TOBACCO AND FIREARMS, THIS APPLICATION HAS BEEN EXAMINED AND THE APPLICANT'S MAKING AND REGISTRATION OF THE FIREARM DESCRIBED ABOVE IS:															
<input type="checkbox"/> APPROVED (With the following conditions, if any)				<input type="checkbox"/> DISAPPROVED (For the following reasons)											
EXAMINER		DATE		AUTHORIZED ATF OFFICIAL		DATE									

ATF FORM 1 (7980.1) (4-82)



## ADDITIONAL REQUIREMENTS

## 1. PHOTOGRAPH

The Chief of Police, Sheriff, or other official acceptable to the Director must complete the "Law Enforcement Certification" below. If the applicant is an individual (including a licensed collector) a recent photograph must be attached in the space provided and FBI Form FD-258, Fingerprint Card, completed in duplicate, must be submitted.

AFFIX  
RECENT PHOTOGRAPH HERE  
(Approximate: 2" x 2")

## 2. LAW ENFORCEMENT CERTIFICATION (See IMPORTANT note below)

I certify that I am the chief law enforcement officer of the organization named below having jurisdiction in the area of residence of

\_\_\_\_\_  
(Name of Maker)

I have no information indicating that the maker will use the firearm or device described on this application for other than lawful purposes. I have no information that POSSESSION OF THE FIREARM DESCRIBED IN ITEM 4 ON THE FRONT OF THIS FORM WOULD PLACE THE MAKER IN VIOLATION OF STATE OR LOCAL LAW.

\_\_\_\_\_  
(Signature and Title of Chief Law Enforcement Officer—see IMPORTANT note below)

BY (See IMPORTANT note below)

\_\_\_\_\_  
(Signature and Title of Delegated Person)

\_\_\_\_\_  
(Organization)

\_\_\_\_\_  
(Street Address)

\_\_\_\_\_  
(City, State, and ZIP Code)

\_\_\_\_\_  
(Date)

**IMPORTANT:** The chief law enforcement officer is considered to be the Chief of Police for the maker's city or town of residence, the Sheriff for the maker's county of residence, the Head of the State Police for the maker's State of residence; a State or local district attorney or prosecutor having jurisdiction in the maker's area of residence, or another person whose certification is acceptable to the Director, Bureau of Alcohol, Tobacco and Firearms, such as a U.S. Attorney.

If someone has specific delegated authority to sign on behalf of the Chief of Police, Sheriff, etc., this fact must be noted by printing the Chief's, Sheriff's, or other authorized official's name and title, followed by the word "by" and the full signature and title of the delegated person.

is when they fine you or throw your ass in jail. As I've written and said several hundred times, most federales have no sense of humor and take themselves far too seriously.

2. *BATF Form 4*. You use this form when you buy a legally registered silencer from a dealer or manufacturer. They usually will provide you with this form. Filing it transfers registration and ownership of the silencer from the previous owner to you. You must include your photograph, fingerprints, a local law-enforcement signature, and payment of a \$200 transfer tax.

3. *FBI Form FD-258*. This is the universal fingerprint card that your local or state police personnel will use to record your fingerprints for the BATF files in Washington. Supposedly, each applicant's prints are checked, but I know a retired FBI employee who told me that it is rarely done. "Not nearly enough time or people or, frankly, concern" is how he put it to me.

Those are the forms. Now, here is the proper drill that you should use if you want to be all tickety-boo legal and have that homemade silencer registered with the BATF.

Before building the silencer, fill out Form 1 after you get your picture and fingerprints. Get the endorsement signature of your favorite local law-enforcement official. The feds like chiefs of police, county sheriffs, chief prosecutors, or their designated minions to sign for this. Obviously, ask someone you know and who knows you; it's easier that way.

If they ask you what in hell you want a silencer for, remember that they are *not* there to give you permission to own the silencer. Some local official's personal prejudices about gun and silencer control is not neces-

DEPARTMENT OF THE TREASURY -- BUREAU OF ALCOHOL, TOBACCO AND FIREARMS  
**APPLICATION FOR TAX PAID TRANSFER AND REGISTRATION OF FIREARM**

**DETACH THIS SHEET BEFORE COMPLETING FORM  
 INSTRUCTIONS**

**1. DEFINITIONS**

a. **FIREARM.** The term "firearm" means: (1) a shotgun having a barrel or barrels of less than 18 inches in length; (2) a weapon made from a shotgun if such weapon as modified has an overall length of less than 26 inches or a barrel or barrels of less than 18 inches in length; (3) a rifle having a barrel or barrels of less than 18 inches in length; (4) a weapon made from a rifle if such weapon as modified has an overall length of less than 26 inches or a barrel or barrels of less than 18 inches in length; (5) any other weapon, as defined in b. below; (6) a machinegun; (7) a muffler or a silencer for a firearm whether or not such firearm is included within this definition; and (8) a destructive device. The term "firearm" shall not include an antique firearm or any device (other than a machinegun or destructive device) which, although designed as a weapon, the Director, Bureau of Alcohol, Tobacco and Firearms, or authorized delegate, finds by reason of the date of its manufacture, value, design and other characteristics is primarily a collector's item and is not likely to be used as a weapon.

b. **ANY OTHER WEAPON.** The term "any other weapon" means any weapon or device capable of being concealed on the person and from which a shot can be discharged through the energy of an explosive; a pistol or revolver having a barrel with a smooth bore designed or redesigned to fire a fixed shotgun shell; weapons with combination shotgun and rifle barrels 12 inches or more, less than 18 inches in length, from which only a single discharge can be made from either barrel without manual reloading; and shall include any such weapon which may be readily restored to fire. Such term shall not include a pistol or a revolver having a rifled bore, or rifled bores, or weapons designed, made, or intended to be fired from the shoulder and not capable of firing fixed ammunition.

c. **TRANSFEROR.** The term "transferor" means the registered owner of a firearm who is applying to transfer it.

d. **TRANSFeree.** The term "transferee" means the person desiring to acquire the firearm.

e. **PERSON.** The term "person" means any individual, company, corporation, association, firm, partnership, joint stock company, trust or society other than a special (occupational) taxpayer qualified to deal in NFA firearms.

**2. PREPARATION OF APPLICATION FOR TAX PAID TRANSFER AND REGISTRATION OF A FIREARM.**

a. Reference §§5811 and 5812, National Firearms Act, United States Code, Chapter 53, persons seeking to transfer a firearm tax paid must complete, in duplicate, a separate application on this form for each firearm. The applicant transferor must furnish all the information called for on this application form.

b. If the transferor of a destructive device, machinegun, shortbarreled shotgun or short-barreled rifle is a licensee under 18 U.S.C., Chapter 44, and the transferee is anyone other than a qualified licensee under the National Firearms Act (special (occupational) taxpayer), the transferee must complete item 2 (Applicant Certification) on the reverse side of ATF Form 4 (5320.4). Item 3 (Law Enforcement Certification) must be completed for the transfer of any NFA firearm to an individual other than a special (occupational) taxpayer.

c. If the transferee is an individual, including a collector licensed under 18 U.S.C., Chapter 44, in addition to satisfying the requirements of 2b, above, a recent 2" x 2" photograph must be affixed in item 1 on the reverse of ATF Form 4 (5320.4) and completed FBI Form FD-256, Fingerprint Card, must be submitted in duplicate. The fingerprints should be taken by a person qualified to do so, and must be clear, unamudged and classifiable.

d. All signatures required on this form must be entered in ink on both copies. Photocopies or other facsimile signatures are not acceptable. It is preferred that the form be prepared by the use of a typewriter, using carbon paper to make an exact duplicate. Pen and ink may be used, but under no circumstances will a form filled in by use of a lead pencil be accepted. All changes made on this form must be initialed and dated.

e. If the transferee is acquiring the firearm as other than an individual, the trade name and business address should be shown in item 2 on the face of ATF Form 4 (5320.4). Firearms may not be acquired as a part of the business inventory of a firearms licensee who is not a special (occupational) taxpayer. In such case, the home address of the transferee should be shown.

f. If the firearm is being transferred from an estate, item 3a, should show the transferor as: Executor's name, title (Executor or executrix, administrator, administratrix of the Estate of (name)), and the executor's address. Item 3c, should reflect the last address of the decedent and date of death.

g. If any questions arise concerning the preparation of the form, please contact the NFA Branch, Bureau of Alcohol, Tobacco and Firearms, Washington, DC 20226 or the nearest Alcohol, Tobacco and Firearms office.

**3. DISPOSITION OF APPLICATION FOR TRANSFER AND REGISTRATION OF FIREARM.**

The transferor will forward both copies of the form to the National Firearms Act Branch, Bureau of Alcohol, Tobacco and Firearms, P.O. Box 73201 Chicago, IL 60673-7201. This office will deposit the tax and forward the application to the Bureau of Alcohol, Tobacco and Firearms, National Firearms Act Branch, Washington, DC 20226 for processing. If approved, the original of the approved form will be returned to the transferor for delivery to the transferee with the firearm, and this office will retain the duplicate. Approval of this form will effect registration of the firearm to the transferee. The transferor shall not under any circumstances deliver the firearm to the transferee until the approved form is received. This form must be retained by the transferee and be available for inspection by Government officers until such time as the firearm may later be transferred after approval by this office. (If the application is disapproved, the original with any accompanying check or money order, will be returned to the transferor with the reason for disapproval.)

**4. APPROVED TRANSFER NOT PHYSICALLY ACCOMPLISHED.**

The transferor should mark the front of the form "VOID," sign and date the form and return the voided form to the Director. This will assure that the firearm will remain registered in the name of the transferor who submitted the application. Upon receipt of the voided form, instructions for obtaining a tax refund will be provided.

**5. LATER TRANSFERS OF THE FIREARM.**

If the firearm is to be transferred later by the new owner, a new application form covering the proposed transfer must be filed with the Director.

This is the BATF Form 4, which covers transfer of an existing silencer between two parties. It must be completed in duplicate and submitted to the BATF along with two fingerprint cards and a \$200 check. (Courtesy of BATF)

## INSTRUCTIONS (Continued)

**6. RATE OF TAX ON THE TRANSFER OF A FIREARM.** The tax on the transfer of a firearm is \$200, except that the transfer tax is \$5 on any firearm classified as "any other weapon" as defined in instruction 1b.

**7. PERSONS PROHIBITED FROM RECEIVING FIREARMS.** Under 18 U.S.C., Chapter 44 and Title VII of Public Law 90-361, as amended, (18 U.S.C., Appendix), the following persons are prohibited from receiving a firearm, including an unserviceable firearm which has a frame or receiver: (1) fugitives from justice (any crime); (2) persons under indictment for, or who have been convicted of, a crime punishable by imprisonment, for a term exceeding 1 year; (3) narcotic addicts or unlawful drug users; (4) persons adjudicated mental defectives or mentally incompetent, or who have been committed to any mental institution; (5) veterans discharged under dishonorable conditions; (6) persons who have renounced their United States citizenship; (7) aliens illegally or unlawfully in the United States; and (8) where the transferor is a firearms licensee, persons under 21 years of age in the case of any firearm other than a shotgun or a rifle and under 18 years of age in the case of a shotgun or a rifle. In addition, section 5812 of the National Firearms Act requires that an application to transfer a firearm be denied if the transfer, receipt or possession of the firearm would place the transferee in violation of law. The term "law" in this statute includes Federal laws as well as State statutes and local ordinances applicable to the locality where the transferee resides.

**8. INQUIRIES ABOUT STATUS OF A TRANSFER APPLICATION.** The transfer application form will be reviewed and returned to the transferor promptly if additional information or corrections are required. However, because of the necessity for an FBI record check on an individual transferee's fingerprints, approximately 60 days must be allowed for processing such applications. Under the provisions of Section 6103(a), Title 26, United States Code, disclosure of any "return" or "return information" is generally prohibited to anyone except the person filing the return. Therefore, information about the status of a transfer

application may be given only to the transferor. Such information cannot be divulged to the transferee.

**9. PENALTIES.** Any person who violates or fails to comply with any of the requirements of the National Firearms Act shall, upon conviction, be fined not more than \$10,000 or be imprisoned for not more than 10 years, or both, in the discretion of the court. Moreover, any firearm involved in any violation of the provisions of the National Firearms Act or any regulations issued thereunder shall be subject to seizure and forfeiture. It is unlawful for any person to make or cause the making of a false entry on any application or record required by the National Firearms Act knowing such entry to be false.

**NOTE:** All provisions of Title I of the Gun Control Act must also be complied with, including the recordkeeping requirements for licenses and retention of ATF Form 4473 (5300.9) by licensees for dispositions to nonlicensees.

**SPECIAL NOTE:** A direct interstate transfer will be approved only to a licensee who is also a special (occupational) taxpayer qualified to deal in the particular type NFA firearm; or a government entity; or a lawful heir; or, in the case of a firearm which has been designated as a "curio or relic," to a licensed collector.

## PAPERWORK REDUCTION ACT NOTICE

This information request is in accordance with the Paperwork Reduction Act of 1980. The information you provide is used in applying to transfer serviceable firearms taxed to persons other than special taxpayers qualified to deal in NFA firearms or government entities. Data is used to identify transferor, transferee, and firearm, and to ensure legality for transfer under Federal, State and local laws. The furnishing of this information is mandatory. (26 U.S.C. 5812)

The following information is provided pursuant to Section 3 of the Privacy Act of 1974 (5 U.S.C. §552(e)(3)):

- 1. AUTHORITY.** Solicitation of this information is made pursuant to the National Firearms Act (26 U.S.C. §5812). Disclosure of this information by the applicant is mandatory for transfer of an NFA firearm, unless the transfer is otherwise exempt from tax.
- 2. PURPOSE.** To insure payment of the tax imposed by 26 U.S.C. §5811; to insure that the transfer would not be in violation of law; and to effect registration of the firearm.
- 3. ROUTINE USES.** The information will be used by ATF to make the determinations set forth in paragraph 2. In addition, to effect registration of the firearm, information as to the identification of the firearm, date of registration, and the identification and address of person entitled to possess the firearm will be entered into the National Firearms Registration and Transfer Record. No information obtained from an application, registration, or records required to be submitted by a natural person in order to comply with any provision of the National Firearms Act or regulations issued thereunder, shall, except in connection with prosecution or other action for furnishing false information, be used, directly or indirectly, as evidence against that person in any criminal proceeding with respect to a violation of law occurring prior to or concurrently with the filing of the application. The information from this application may only be disclosed to Federal authorities for purposes of prosecution for violation of the National Firearms Act.
- 4. EFFECTS OF NOT SUPPLYING INFORMATION REQUESTED.** Failure to supply complete information will delay processing and may cause denial of the application.

DEPARTMENT OF THE TREASURY - BUREAU OF ALCOHOL, TOBACCO AND FIREARMS APPLICATION FOR TAX PAID TRANSFER AND REGISTRATION OF FIREARM				SEE INSTRUCTIONS ATTACHED. TO BE SUBMITTED IN DUPLICATE TO: National Firearms Act Branch Bureau of Alcohol, Tobacco and Firearms P. O. Box 73201 Chicago, IL 60673-7201		
2a. TRANSFEREE'S NAME AND ADDRESS (If transferee is a Special (Occupational) Taxpayer who is acquiring firearm for personal use, rather than as part of his business inventory, show personal name below and check here: <input type="checkbox"/> )				1. TYPE OF TRANSFER (Check one) (See instructions 1 and 6) <input type="checkbox"/> #5 <input type="checkbox"/> #200		
2b. TRADE NAME (See instruction 2e)		2c. COUNTY		Submit with your application a check or money order for the appropriate amount made payable to the Department of the Treasury. Upon approval of this application, this office will acquire, affix and cancel the required "National Firearms Act" stamp for you. (See instruction 6)		
3a. TRANSFEROR'S NAME AND MAILING ADDRESS (If the firearm is registered under your trade name, enter your trade name. EXECUTORS: See instruction 2f.)						
3c. IF APPLICABLE: DECEDENT'S NAME, ADDRESS, AND DATE OF DEATH				3b. NUMBER, STREET, CITY, STATE AND ZIP CODE IF DIFFERENT FROM ITEM 3a.		
The above-named and undersigned transferor hereby makes application as required by Section 5812 of the National Firearms Act to transfer and register the firearm described below to the transferee.						
4. DESCRIPTION OF FIREARM (Complete items a through h)						
a. NAME AND ADDRESS OF MANUFACTURER AND/OR IMPORTER OF FIREARM		b. TYPE OF FIREARM (Short-barreled rifle, machine gun, destructive device, any other weapon, etc.)	c. CALIBER, GAUGE OR SIZE (Specify)	d. MODEL	LENGTH (Inches)	e. OF BARREL: OVERALL:
						f. SERIAL NUMBER
h. ADDITIONAL DESCRIPTION OR DATA APPEARING ON FIREARM (Attach additional sheet if necessary)						
5. TRANSFEREE'S FEDERAL FIREARMS LICENSE (If any) (Give complete 15-digit number)			6. TRANSFEREE'S SPECIAL (OCCUPATIONAL) TAX STATUS			
First 6 digits	2 digits	2 digits	5 digits	a. ATF IDENTIFICATION NUMBER	b. CLASS	
7. TRANSFEROR'S FEDERAL FIREARMS LICENSE (If any) (Give complete 15-digit number)			8. TRANSFEROR'S SPECIAL (OCCUPATIONAL) TAX STATUS			
First 6 digits	2 digits	2 digits	5 digits	a. ATF IDENTIFICATION NUMBER	b. CLASS	
UNDER PENALTIES OF PERJURY, I DECLARE that I have examined this application, and to the best of my knowledge and belief it is true, correct and complete, and that the transfer of the described firearm to the transferee and receipt and possession of it by the transferee are not prohibited by the provisions of Chapter 44, Title 18, United States Code; Chapter 53, Title 26, United States Code; or Title VII of the Omnibus Crime Control and Safe Streets Act, as amended; or any provisions of State or local law.						
9. SIGNATURE OF TRANSFEROR (Or authorized official)			10. NAME AND TITLE OF AUTHORIZED OFFICIAL (Print or type)		11. DATE	
THE SPACE BELOW IS FOR THE USE OF THE BUREAU OF ALCOHOL, TOBACCO AND FIREARMS						
BY AUTHORITY OF THE DIRECTOR, THIS APPLICATION HAS BEEN EXAMINED, AND THE TRANSFER AND REGISTRATION OF THE FIREARM DESCRIBED HEREIN AND THE INTERSTATE MOVEMENT OF THAT FIREARM, WHEN APPLICABLE, TO THE TRANSFEREE ARE:					STAMP NUMBER	
<input type="checkbox"/> APPROVED (With the following conditions, if any)			<input type="checkbox"/> DISAPPROVED (For the following reasons)			
SIGNATURE OF DIRECTOR, BUREAU OF ALCOHOL, TOBACCO AND FIREARMS					DATE	

## CERTIFICATIONS

## 1. PHOTOGRAPH

If the transferor of a destructive device, machinegun, short-barreled shotgun or short-barreled rifle is a Federal firearms licensee, and the transferee is anyone other than a licensee qualified to deal in the firearm to be transferred, the transferee must sign the Applicant Certification (item 2 below) in the presence of the law enforcement officer signing item 3 below. The Law Enforcement Certification (item 3 below) must be completed for the transfer of any registered firearm to an individual other than a licensee qualified to deal in the firearm to be transferred. In addition, the individual transferee must affix a recent photograph (taken within the past year) in item 1 and submit, in duplicate (to the transferor) two completed copies of FBI Form FD-258, Fingerprint Card. (See Important note below.)

AFFIX  
RECENT PHOTOGRAPH HERE  
(Approximately 2" x 2")

## 2. APPLICANT CERTIFICATION

I, \_\_\_\_\_, have a reasonable necessity to possess the device or  
(Name of Transferee)  
weapon described on this application for the following reason(s) \_\_\_\_\_

and my possession of the device or weapon would be consistent with public safety (18 U.S.C. 922(b) (4) and 27 CFR 178.98).

UNDER PENALTIES OF PERJURY, I declare that I have examined this application, and to the best of my knowledge and belief it is true, correct and complete, and that receipt and possession of the firearm described on this form will not place me in violation of the provisions of Chapter 44, Title 18, U.S.C.; Chapter 53, Title 26, U.S.C.; or Title VII of the Omnibus Crime Control and Safe Streets Act, as amended, or any provisions of State or local law.

(Signature of Transferee or official authorized to sign for firm)

Date

## 3. LAW ENFORCEMENT CERTIFICATION (See IMPORTANT note below)

I certify that I am the chief law enforcement officer of the organization named below having jurisdiction in the area  
of residence of \_\_\_\_\_. I have no information indicating that the transferee will use the fire-  
(Name of Transferee)  
arm or device described on this application for other than lawful purposes. I have no information that the receipt and/or possession of the firearm described  
in item 4 of this form would place the transferee in violation of State or local law.

(Signature and Title of Chief Law Enforcement Officer - See IMPORTANT note below)

(Date)

(Organization and Street Address)

(County)

(Phone - include area code)

**IMPORTANT:** The chief law enforcement officer is considered to be the Chief of Police for the transferee's city or town of residence, the Sheriff for the transferee's county of residence; the Head of the State Police for the transferee's State of residence; a State or local district attorney or prosecutor having jurisdiction in the transferee's area of residence; or another person whose certification is acceptable to the Director, Bureau of Alcohol, Tobacco and Firearms. If someone has specific delegated authority to sign on behalf of the Chief of Police, Sheriff, etc., this fact must be noted by printing the Chief's, Sheriff's, or other authorized official's name and title, followed by the word "by" and the full signature and title of the delegated person.

sarily the law. You are going through a legal process here, not getting permission. What the local officer is signing and attesting to is that you are not of bad character and that he has no information that would lead him to believe you would use the silencer illegally. He is also attesting that your ownership of the silencer doesn't violate any local laws.

This official does not incur any legal liability by signing this form for you. On the other hand, no law requires him to sign it, either. So as I say, make friends with someone in the upper echelon of your town or county police department. Remember, this official must have law-enforcement jurisdiction within your area of legal residence.

Next, write a check for \$200 to the Department of Treasury to pay your tax. Fill out rest of the form and sign it. Make at least one photocopy of the completed paperwork, then mail the two originals to the address indicated on the form.

If you're buying someone else's already registered silencer, you go through the exact same procedure except you use a BATF Form 4. Everything else is the same. In either case, you will probably hear from BATF in two or three months.

Silencer fans, that's all you need to do to have your very own legally registered silencer.

APPLICANT		LEAVE BLANK		TYPE OR PRINT ALL INFORMATION IN BLACK				LEAVE BLANK		
SIGNATURE OF PERSON FINGERPRINTED		RESIDENCE OF PERSON FINGERPRINTED		LAST NAME	FIRST NAME	MIDDLE NAME		DOB		
DATE		SIGNATURE OF OFFICIAL TAKING FINGERPRINTS		ALIAS: AKA	O R I D C A T F D O O D D A B W A S H D C		DATE OF BIRTH		DOB	
EMPLOYER AND ADDRESS		REASON FINGERPRINTED		CITIZENSHIP	SEX	RACE	HGT.	WGT.	HAIR	
YOUR NO. DCA		FBI NO. FBI		PLACE OF BIRTH						POB
ARMED FORCES NO. ANU		SOCIAL SECURITY NO. SOC		LEAVE BLANK						
MISCELLANEOUS NO. MNU		CLASS		RF						
		RF								
1. R. THUMB		2. R. INDEX		3. R. MIDDLE		4. R. RING		5. R. LITTLE		
6. L. THUMB		7. L. INDEX		8. L. MIDDLE		9. L. RING		10. L. LITTLE		
LEFT FOUR FINGERS TAKEN SIMULTANEOUSLY				L. THUMB		R. THUMB		RIGHT FOUR FINGERS TAKEN SIMULTANEOUSLY		

To make or transfer a silencer, you must file two completed and signed copies of this FBI Form 258, the universal fingerprint card, with your completed application. (Courtesy of FBI)



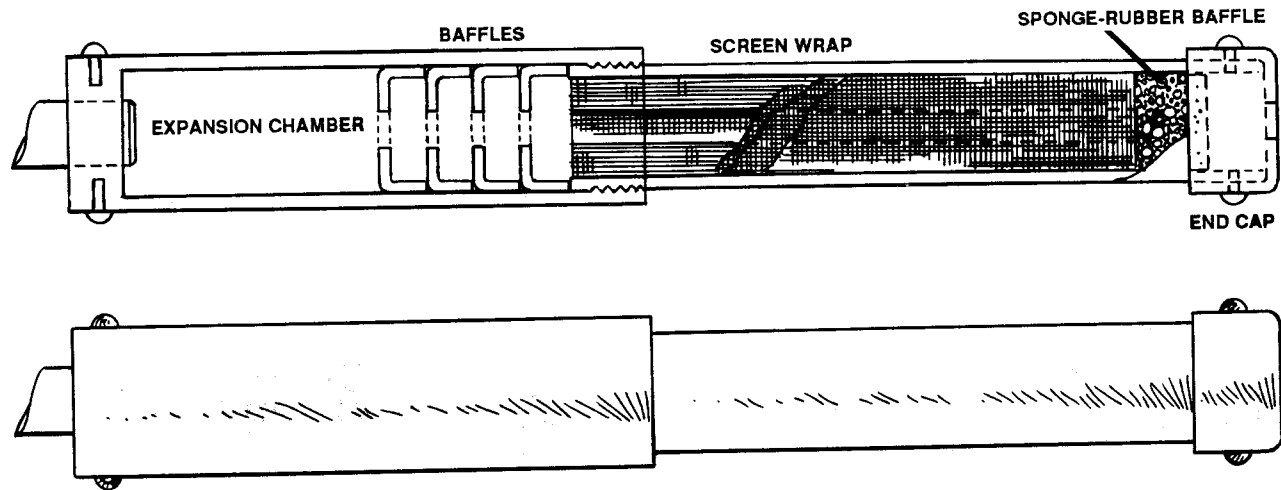
# Simple Designs For Simple Minds

Ed Owen, one of the finest technical minds in the firearms field, is a major management honcho for the National Firearms Branch of BATF. Awed disciples regard him as the czar of silencers, and he is always happy to share his vast technical and legal knowledge with students in the field of firearms and sound suppression. In his many years of experience, Ed has seen, examined, and used thousands of silencers, both legal and otherwise. He once told another expert in the field that the most effective and efficient types of homemade silencers conform to five basic design features.

To keep your work simple, and to help you get a good, working silencer for your own gun easily and quickly, I'm going to share those five expert design tips for your own study and use. They are:

1. Mounting should utilize a threaded connection, which gives a gas-tight seal. Next best is a compression seal, followed by mechanical. If you use the latter, use electrical tape, too.

2. Internal fittings of a good silencer should be fixed rigidly in place to prevent shifting, which will



To show how simple an effective firearm silencer design can be, consider this sketch of a model used by a professional assassin who worked for various Western governments. It basically is similar to the silencers described in this book, and includes a gas expansion chamber, baffles, screening, and a sponge/baffle end wipe. Although the original was a professionally made model, you can build one almost like it. (Illustration courtesy of Emilio Santana)

mess up alignment. That could be dangerous for you.

3. Your silencer needs large, definite expansion chambers to capture the hot gases generated from the cartridge explosion.

4. Keep the muzzle exit hole as close as possible to the caliber of the firearm. This is vital so that gas (and thus noise) doesn't escape with the bullet.

5. The best homemade designs employ some type of perforated plastic, rubber, cork, or leather discs inside the silencer along the path of the bullet. These discs greatly reduce the gas flow following the bullet, thus knocking down the sound even more.

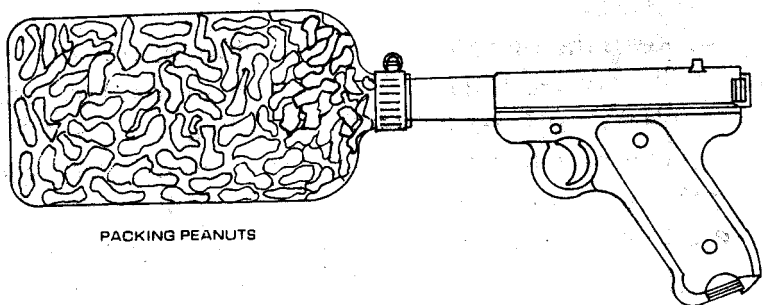
As I noted earlier, my first preconstruction practical advice is to forget the thimble-sized silencers you see on movie and TV guns. Real silencers have to be large enough to contain 80 to 90 percent of the noise-causing gas that escapes when a gun is fired. Even a closed-bolt .22 rifle needs a silencer of at least 5 or 6 inches in length and about an inch around to do the job. If you want to build a silencer for your .30-06, you're talking about a can 18 inches or so long and about 3 inches around. The weight of the unit will be reflective of its size, of course.

The following are some very simple silencers you can create in just minutes from common materials you would normally toss in the trash. Instead, toss 'em on the end of your gun and go *pouut, pouut, pouut*, rather than BOOM, BOOM, BOOM!

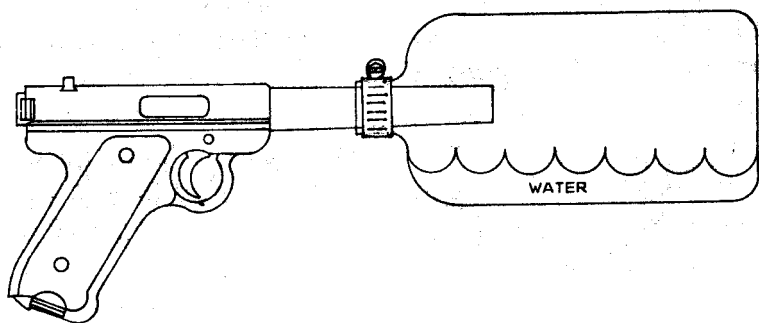
### POP GOES THE SODA GUN

Pop bottle silencers have been around for years. I first saw one in 1978 and tested another one that same day. They work pretty well for a half dozen shots or so. I once tried one on a submachine gun and got out five

fairly quiet rounds before the bottom blew out of the bottle.



PACKING PEANUTS



One of the earliest improvised silencer designs was the 2-liter plastic bottle, usually filled with stuffers or liquid. BATF regulations require you to register this unit like any other silencer, of course. (Illustrations courtesy of William Seymour)

All you need is a plastic 2-liter soda pop bottle, some electrical tape, and a hose clamp. Use the tape to bulk up the barrel of the firearm so the bottle goes over it snugly—just wrap the barrel with the tape and keep measuring the bottle over the wrap until you get a good fit. Use the clamp to hold it in place. Aim and fire.

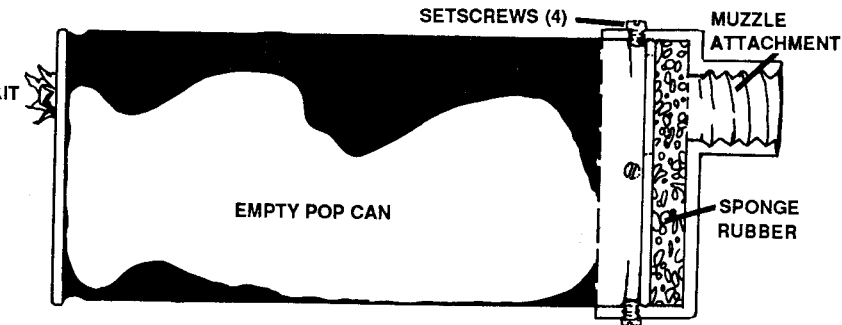
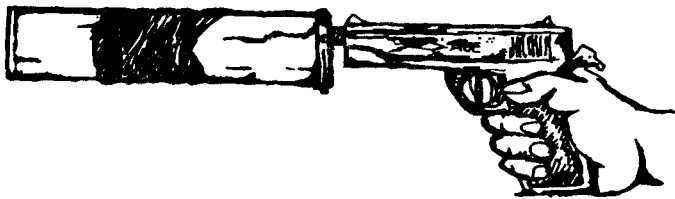
For variation, you can pour a bit of water into the bottle before you put it on your firearm. This will

further mute the sound. Keep the waterline below the bore line, since you don't want to shoot through the water or have it flow back into the weapon, flooding the barrel.

If you don't like the wet stuff, try filling the bottle with those plastic packing peanuts. But be warned: The heat caused by the muzzle blast will probably melt the plastic, which makes a real mess. This is another good reason to have your gun barrel well-taped. You can also stuff fire-retardant rags into the bottle.

### CAN YOU TOP THIS?

This design is the work of Cleveland Amoral and Billy Huze. They introduced it to the members of the Myopic and Petrified Skeet and Old Boys Club, a major



You can easily make a firearm silencer simply by mounting any used beer or pop can onto your pistol. These plans show how to make a simple mount for the replaceable silencer. BATF requires you to register the mount, of course. (Illustrations courtesy of John A. Minnery)

NRA subculture located in Sellout, Maryland.

This silencer is easy to make, and it's a great way to recycle all of those empty beer and soda cans that clutter your trash. The only mechanical work required is to construct an attachment to mount to your firearm's muzzle. I suggest a simple muzzle extension made from aluminum or PVC pipe attached over the muzzle and secured with electrician's tape. If you want a more permanent mounting, use set screws or a compression fitting. In either case, first add a light covering of electrician's tape to the barrel so you don't mar the finish.

You can also use a bracket mount over the end of the muzzle extension, or, for that matter, the muzzle itself. It must be large enough to fit completely over the empty can, which will act as the body of your silencer. Line the inside rim with sponge rubber. You can use a small amount of epoxy or a silicone sealant to secure the rubber to the back end of the bracket.

The next step is to mount the one-shot disposable silencer to the muzzle extension/mount by sliding the tab end over the end of the pipe. In the case of the bracket, slide the entire tab end of the can flush against the back of the bracket (through which the muzzle or muzzle extension is sticking). Position the tab opening with the muzzle opening.

You're done. The fired round exits through the sealed end of the can. Remove the can, stick on another one, and you're ready for a second shot.

My old friend and Canadian connection to the world of esoteric weaponry, John Minnery, suggests taping two cans in tandem to increase the silencer's quieting powers. Both the original and John's suggestion work well.

I saw both designs demonstrated at the annual

Goldsmith/Hughes Silencerology Institute field trials in 1989. Despite their material beginnings and simple constructions, they performed very well.

### **A MUFFLED ATTEMPT**

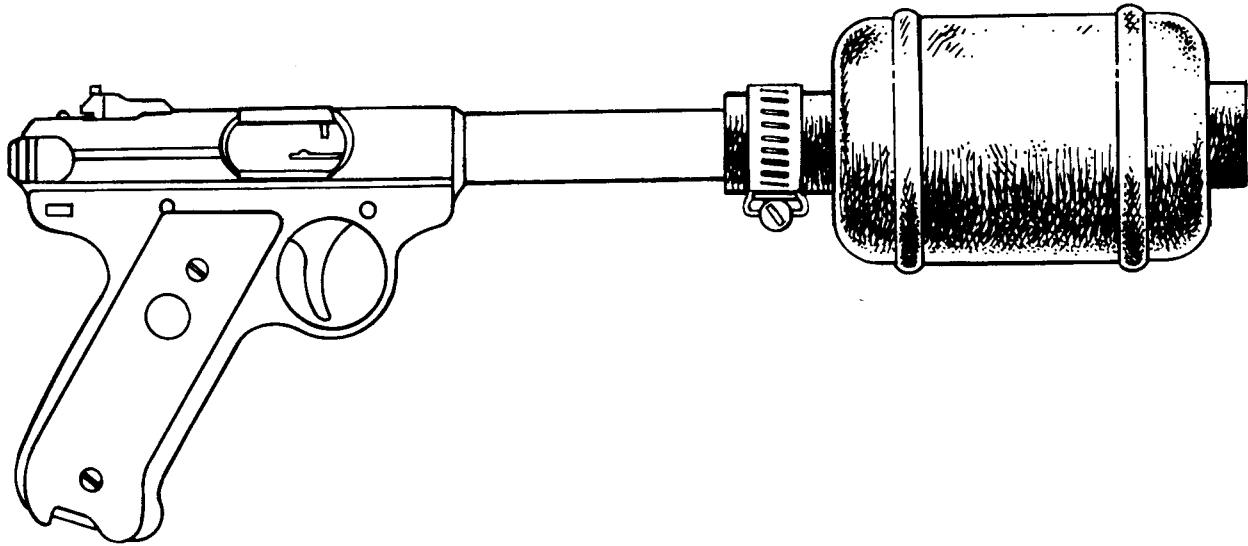
With a bit of drilling you can turn an ordinary replacement muffler for your small lawn mower into a very good silencer. After all, what is a silencer but a muffler? Buy the muffler at a busy farm and garden shop.

Because many of these mufflers are designed only to trap gases and not to have a projectile passing through them, they often do not have straight-through openings. Using the proper size bit to match the caliber of the pistol or rifle you will use with this silencer, drill a straight hole the entire length of the muffler.

To mount this unit, you may need to remove the front sight from your weapon, or you can choose a gun with the sight set back far enough for the muffler to mount in front of it.

Wrap the end of the barrel with electrician's tape to create a mounting bushing for the muffler. Place the muffler neck over the taped barrel and slip a hose clamp on the assembly. Don't tighten it yet.

Take a dowel the same size as the caliber of the weapon, or a cleaning rod of the same caliber, and slip it down the muffler into the firearm barrel to align the hole in the muffler with the bore of the gun. When you have it aligned properly, tighten the hose clamp and remove the dowel rod. You now have a silenced firearm.



A firearm silencer is really a muffler, just like the one on your car, truck, or tractor. Thus, a small muffler from a lawn mower makes a fine improvised silencer for your gun. (Illustration courtesy of Chuck E. Reese)



## TENNIS ANYONE?

Tennis balls make great insert materials for a silencer. One of the first designs I saw came from John Minnery, the Canadian author and maven of the arcane arsenal from the sub-rosa world. His design was a simple yet effective affair that you can easily replicate at your kitchen table.

You need a piece of PVC pipe (3-inch inside diameter, about 12 to 14 inches long), three or four tennis balls, duct and electrician's tape, and the ubiquitous hose clamp.

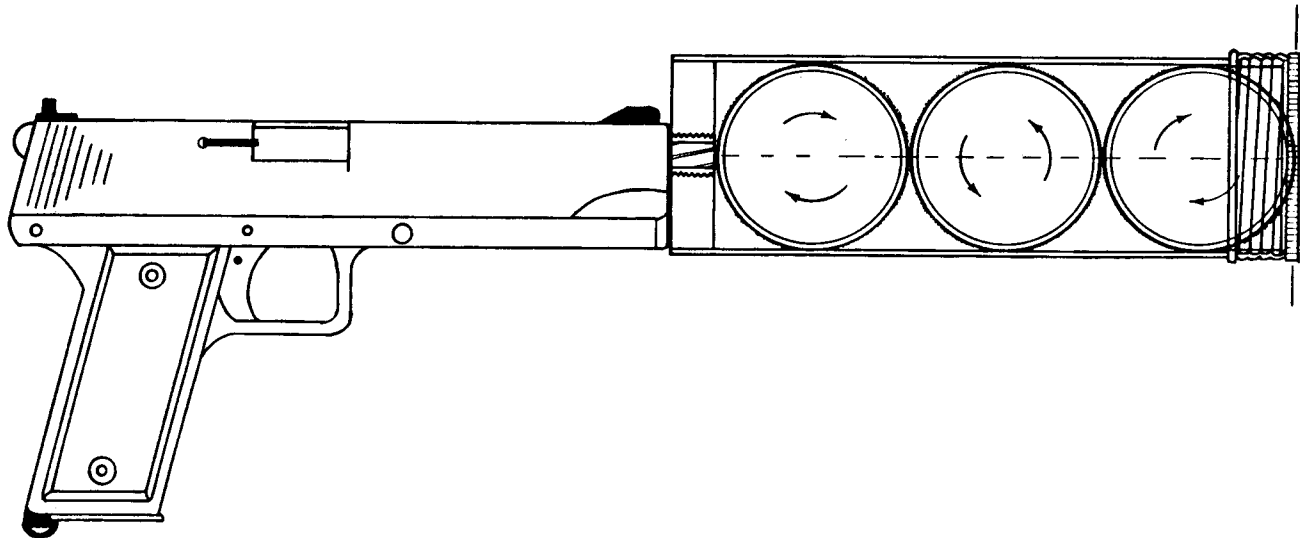
Wrap the tape around the gun barrel as a bushing to mount the silencer. The barrel should fit snugly inside the pipe. Now cut a hole into one of the tennis balls so it can be slipped over the end of the barrel with a very tight fit.

Put the PVC pipe over the ball and onto the tape bushing on the barrel. Place the hose clamp on the unit to hold it in place. Tighten it. Holding the gun so that the end of the PVC pipe is pointing upward, place the other tennis balls on top of the first one, one after the other. Cross the open end of the PVC pipe with heavy duct tape in an X pattern, but do not completely cover the opening.

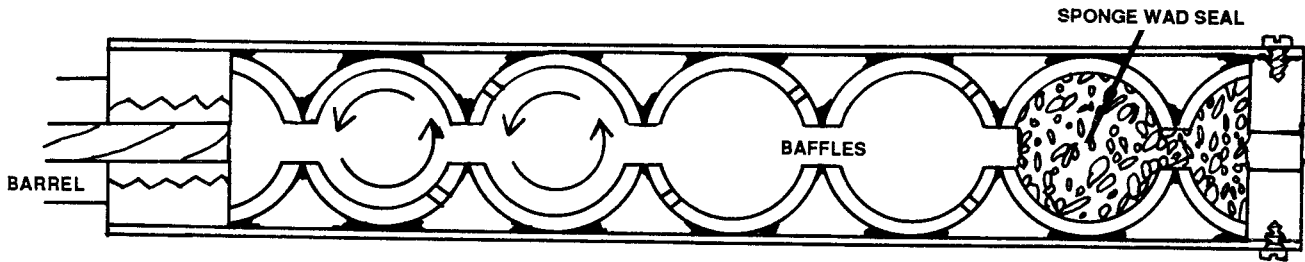
You don't have to cut holes or slits in the balls or the tape, contrary to what others have written. Your first shot out of the gun will accomplish that.

In a design variation suggested by Carla Rowan, a retired trickshot artist turned suburban housewife, only one tennis ball is used, augmented by bronze or aluminum screening. Here is Ms. Carla's design.

She says you'll need a piece of PVC pipe the same size as the one used for the Minnery design, an end cap for it, and a small can of PVC cement. You also need



This low-cost, simple design is also known as a three-baller—a tad British, if you will. The gunfire gases swirl inside the tennis balls, cutting down the explosive noise considerably. The rubber in the balls acts as a gas seal as well. (Illustration courtesy of John A. Minnery, *Firearm Silencers II*)



This is a variant of the tennis ball silencer in which a square tube is used. Called a “tubular baffle-vortex suppression concept” by its designer, it is somewhat easier to build at home than many conventional silencer designs. (Illustration courtesy of John A. Minnery)

one tennis ball, a strip of aluminum or bronze screening, a 10-inch length of 1/2-inch wooden dowel, electrician's tape, and a hose clamp.

Use the tape to create the bushing on the barrel. Next, cut a small, tight hole in the tennis ball and force it onto the barrel.

Carefully drill a 1/2-inch hole in the center of the end cap. Use PVC cement to glue the end cap on one end of the pipe.

Tightly roll a 5-inch by 50-inch strip of screening around the wooden dowel. Slide the dowel and screen into the PVC pipe and remove the dowel. Put the hose clamp over the open end of the pipe.

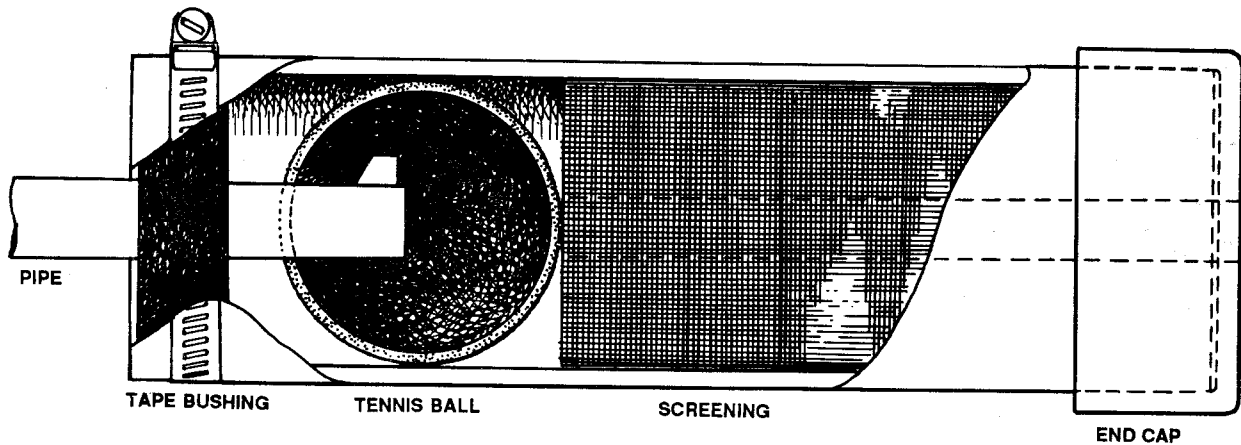
Finally, fit this assembly over the tennis ball and slide it back until the open end of the PVC pipe is even with the back end of the tape bushing. Tighten the hose clamp. Be certain that the unit is aligned by visually checking through the breech with a borelight, or use the cleaning rod/dowel alignment method.

### THE DOC SARVIS SILENCER

There's more to cardboard than cartons and more to screens than windows and doors. That's why our in-house shaman, good old Doc Sarvis, came up with this simple silencer made of PVC pipe, corrugated cardboard, and screening.

To construct this one you'll need about a foot of PVC pipe (1 1/2-inch inside diameter), a piece of aluminum or bronze screening (about 5 inches by 40 inches), a couple of hose clamps, electrician's tape, some cardboard backing sheets or a small carton, a 3/8-inch by 10-inch piece of wooden dowel, and some epoxy glue.

Doc's first step is to make two electrical-tape



Slitting a tennis ball, putting it on a gun barrel, then covering it all with screening and pipe makes a tremendously effective silencer . . . and so easy to make. (Illustration courtesy of Ali Ahmand)

bushings for the barrel of the soon-to-be-silenced weapon. He says to start one at the muzzle and the second about an inch and a half back from that. Make these bushings big enough so that the barrel will just barely slide into the PVC pipe.

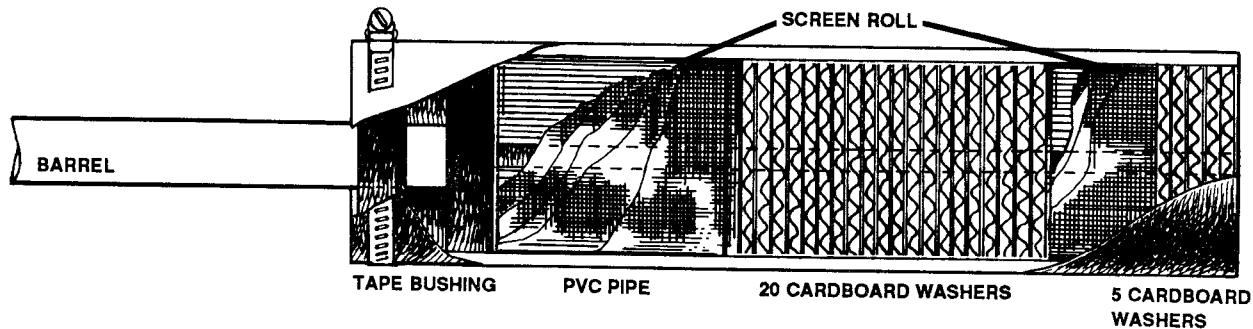
Then Doc says to cut out twenty-five 1 1/2-inch cardboard washers from the heavy cardboard, drill or punch a 1/4-inch hole in the center of each, and glue five of them into one end of the PVC pipe. Set the other twenty aside for a moment.

Cut a piece of screening to 1 1/2 inches by 36 inches and wrap it tightly around the wooden dowel. Insert the dowel into the PVC pipe and slide the roll of screening in until it comes to rest against the five cardboard washers. Remove the dowel.

Next, insert the remaining twenty washers into the PVC pipe up to the rolled screening. Do not glue these in place. Then Doc says to tightly roll a piece of 3-inch by 36-inch screening around the dowel as you did before and insert it into the PVC pipe.

Align the silencer with the gun's bore by inserting a .22-caliber cleaning rod into the bore of the weapon, being certain a foot or so is sticking out the end of the barrel. Carefully slide the silencer unit over the cleaning rod and onto the gun, with the open end going back to the rear bushing.

When you tighten the unit down on the weapon with hose clamps, be certain the silencer stays aligned with the bore. If the cleaning rod moves easily in and out of the bore and unit, the alignment is OK. Doc also says it would be a whole lot safer if you remove the cleaning rod from the bore before you fire the weapon.



Products from around the home make up the materials list for this cardboard, screening, and PVC-pipe silencer. You can make it at your kitchen table simply and cheaply. (Illustration courtesy of P. Elliot Ditz)

## THE GREAT SCREEN TEST

If you can wrap screen around a pencil, rip tape, and read these instructions, you can easily build this silencer. Before starting, I want to give credit to one of California's own fun guys, an original Valley Guy, John Van de Kamp.

Here's all you need to build this silencer for your very own: electrician's tape, a small pin punch, a dowel or pencil, and two pieces of aluminum or bronze screening. One will be 8 inches by 28 inches, the other 6 inches by 28 inches.

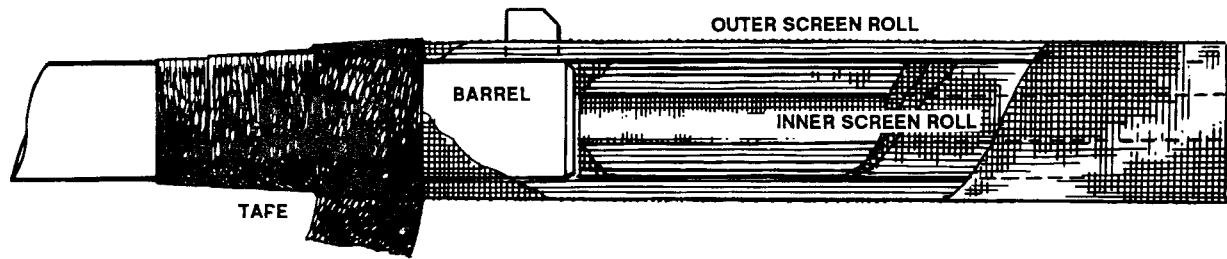
First, remove the front sight from your weapon. Use a small pin punch or nail to drive out the pin holding the sight. If you can't remove the sight, you'll have to use the electrical tape to build up a mounting bushing around and over the sight. In any case, be sure to tape the end of the barrel so the screening doesn't scratch it.

Now you can prepare the screening, which will diffuse the noise of the gunshot. Lay out the 6-inch strip and tightly roll it around the dowel or pencil. When you come to the end, tape it together in the middle. This screen roll ought to match the outside diameter of your .22 rifle or pistol barrel. Set this inner screen unit flush against the bore of your weapon, using the dowel or pencil as an alignment guide into the bore itself.

Next, roll the 8-inch strip around the already rolled inner screen that is still on the dowel or pencil in the bore of the weapon. Set the larger screen flush with the front of the 6-inch screen, which means that two inches will extend back over the taped barrel. This will hold the silencer on the weapon.

Carefully wrap this larger screen over the inner one and the barrel, making it fit fairly tightly. About five or six wraps ought to make the entire silencer unit fairly





A bit of tape, two rolls of screening, and some other odds and ends will give you an effective homemade silencer. Just follow the steps and you'll have this silencer ready to go in a very short while . . . and it really works! (Illustration courtesy of Park E. Deets)

snug on the gun. Use scissors to remove excess screening from the outer roll.

The last step is to wrap the entire unit with either electrician's or duct tape. Be sure you put at least three or four layers around the unit and back onto the barrel for a couple of inches.

Oh yeah; remember that dowel or pencil you used to roll the first screen? Be sure you remove it from the silencer and the bore before you fire the gun. An unwanted, nasty surprise awaits those who don't.

Crude? You say it looks crude?

You're right, it does look crude. But it works well for a few shots. What do you want, good looks or good quiet?

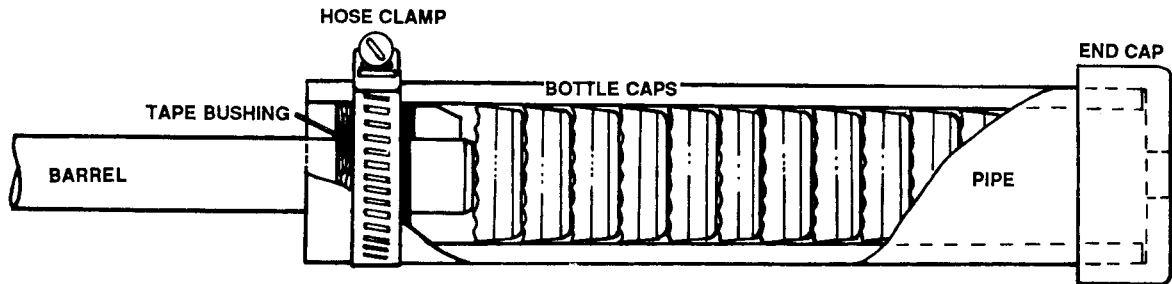
### A TIP OF THE CAP

Ever wonder what to do with all those caps you wrench off of beer and pop bottles? Well stop tossing them away. Remove them gently, add some plastic or aluminum tubing, and you've got yet another silencer for your .22.

The cap 'n tube silencer is easy to make; a piece of kitchen-table pie, as it were. You'll need about twenty bottle caps, which is about five minutes of serious drinking for some of my old pals at The Lantern, a piece of aluminum tubing into which the caps will fit snugly, an end cap for the tube, electrician's tape, and a hose clamp.

As usual, the first step is to make a bushing of electrician's tape just behind the front sight. The tube for the silencer has to fit snugly, and very snugly at that, over the bushing.

Either remove the front sight from your gun or cut a slot into the aluminum tube for the sight. You will need



The bottle cap silencer gives you a useful way to get rid of all of the used soda- and beer-bottle caps you used to trash. Pack them properly inside a pipe as described in the text and you'll have a splendid silencer for your .22 pistol or rifle. (Illustration courtesy of Nester Furringstrip)

to cut enough so the slot is about 1/2-inch longer than the fit, meaning that there should be about 1/2-inch of tube going back past the front sight. Your hacksaw will handle this easily. Use the file to really smooth things over, getting rid of burrs.

Next, drill the bottle caps and end cap using a 5/16 drill bit. The end cap, which fits over the tube, needs to be filed open slightly larger. Insert a pencil or .22-caliber-sized dowel into the first bottle cap. Then, start adding on the rest of the caps, being sure that you stack them as you drilled them—all in one direction.

The last cap should snug the pile downward. Insert the dowel into the tube. Put the end cap in place over the top of the tube to hold the caps down, securing it with epoxy, a setscrew, or by compression. Now insert the entire unit onto the gun's bore for alignment. Remove the dowel before firing the weapon.

### LISA'S PIPE DREAM

You know, it's too bad that today's adolescent street scum are so affluent that they can afford to buy an illegal Uzi, AK-47, or Ingram before they're 10 or 12 years of age. They're missing one of the real rituals of young manhood—making a zip gun out of pipe. Excuse me, it was just the old fart in me digressing about the good ole days. Sigh.

Although almost anyone can make a simple pipe silencer, I like the design by Lisa Flema, the scourge of the Hotel. Lisa's silencer (and boy, could she use one) requires a 7-inch piece of PVC or aluminum pipe. The inner diameter of the pipe must match the outer diameter of the gun barrel to which you will attach this silencer. If the pipe is larger, you will have to use electrician's tape to create a mounting bushing as before.

You will also need a hose clamp, a piece of cellular sponge or soft rubber, and some copper scouring sponges. Lisa prefers Chore Boy pure copper sponges. You will need electrician's or duct tape as well.

The first step is to drill four rows of evenly spaced 1/4-inch holes in the pipe. The commercial silencer makers tell us that these holes need to be 90 degrees apart. Next, slide the pipe onto the gun barrel far enough to seat it securely. Lisa says if you want to keep your front sight on the gun, you can always cut a slot for it on the pipe.

Fit the hose clamp near the end of the pipe and the front of the gun and tighten it firmly. The silencer must be firmly mounted, with no wobble or sway.

Take out your Chore Boy copper sponges, remove the rivet, and carefully unfold them as flat as possible. Wrap each sponge around the pipe as tightly as possible. Completely cover the pipe with three or four layers of copper sponge.

You need an end cap to fit on the end of your pipe. This is where the soft rubber or cellular sponge comes in. (Or perhaps you can get an appropriately sized one-hole rubber stopper from a science teacher, lab worker, or student.) If you need to cut the hole yourself, do it with a sharp razor or X-acto knife. Cut an X in the center of the sponge. When you insert it into the pipe, be certain the alignment between the bore, the silencer pipe, and the plug is proper. As before, you can do this with a wooden dowel or cleaning rod.

Use two or three layers of duct or electrician's tape to completely cover the rubber plug and copper wrapping. Leave your alignment tool intact until you're finished covering the silencer with the tape. But be sure you remove it before you test the unit.

When you do test it, you'll be pleasantly surprised. This is a very effective silencer. Nice can, Lisa.

\* \* \* \* \*

You've come to the end of the simpler silencer designs in this volume. The designs in the next chapter are only a bit more complex.

As always, gentle reader, if you have a silencer design of your own you'd like to share with me and the readers, don't be shy. Send sketches, photos, plans, explanations, uses, results, or whatever, to me: George Hayduke, P.O. Box 1307, Boulder, CO 80306. And, yes, I answer my own mail personally and as promptly as possible.

## Clever Designs For Clever Smarties

Yes, I used the word complex at the end of the last chapter. But please, don't panic. You still don't need a lathe or have to be on a first name basis with the neighborhood machinist to make a good quality, working silencer from these designs. You might have to move a small wood block onto your kitchen table to back up a minor amount of drilling, but it'll be well worth it.

These silencers will work a bit more efficiently because of their design. In other words, they will make your gun even quieter than the silencers in the previous chapter. And, even though the designs are still basic and quite easy to construct using common tools and materials, the results will look more professional. The only technical additions I'm imposing on you here are ported barrels to bleed off explosive gases and some metal baffles to form expansion chambers to trap and quiet the exploding gases.

So, enough technical pedantry. As Rudyard Kipling, inventor of the kippered herring, once noted, "It's damned clever, but is it art?" He was probably examin-

ing a schematic for a silencer design . . . which, by coincidence, is coming up in the very next paragraph.

### THE BAFFLING GASSER

No, this doesn't refer to the flatus of Uncle Gerry and Rusty. What I mean is this silencer design uses a series of baffled chambers made with washers and spacers or with a series of automotive frieze plugs that will help quiet the sound of gunshots. Building this silencer is fairly simple, and I will give you a generic description that you can modify or adapt to your own weapon, caliber, design plans, or imagination.

To make the generic model, you'll need a steel or aluminum tube about 10 inches long and as close as possible to the diameter of the frieze plugs you're going to use as baffles. You'll need enough plugs to fill about 60 percent of the tube. You will also need a hose clamp to hold your silencer on the gun (or a muffler clamp if it is going to be large-caliber model), electrician's tape, and possibly rivets to fasten the end of the tube to the final plug.

The first step is to prepare the gun barrel to take the silencer. You can use a tape roll, a cardboard adapter with the same inside diameter as the tube, or you can create an adapter from a block of wood. Use an appropriately sized saw to make the block round, then put a hole through it equal to the outside diameter of the tube and slide it over the barrel. Tape the barrel first, of course, to prevent scratches. Then, tape the adapter to the barrel to keep it on firmly and to seal against escaping gas.

Next, drill holes through the center of the frieze plugs, using a bit that is just slightly larger than the caliber of the weapon you'll be using. Be careful of



alignment in this step. Use a cleaning rod or dowel as an improvised alignment gauge.

Use a hammer and wooden dowel to force the plugs into the tube. Do it firmly but gently, not as if you're trying to demolish something; you might if you do this too hard. Position the first plug about two-thirds of the way down the tube. Install the rest of the plugs on top of that one. The last plug must be flush with the end of the tube, so you may have to do some adjusting as you go. Use the rod to maintain proper alignment. It has to be correct.

Drill a few evenly spaced holes in the end of the tube and that last plug. Use a drill bit that is the same size as the rivets you'll be using. When the holes are done, rivet the tube and the last plug together.

You may want to cut some evenly spaced expansion slots at the other end of the tube to permit easier mounting of the silencer to the adapter on the barrel. If you don't need them, don't bother. Install the silencer carefully, keeping that rod in as an alignment gauge.

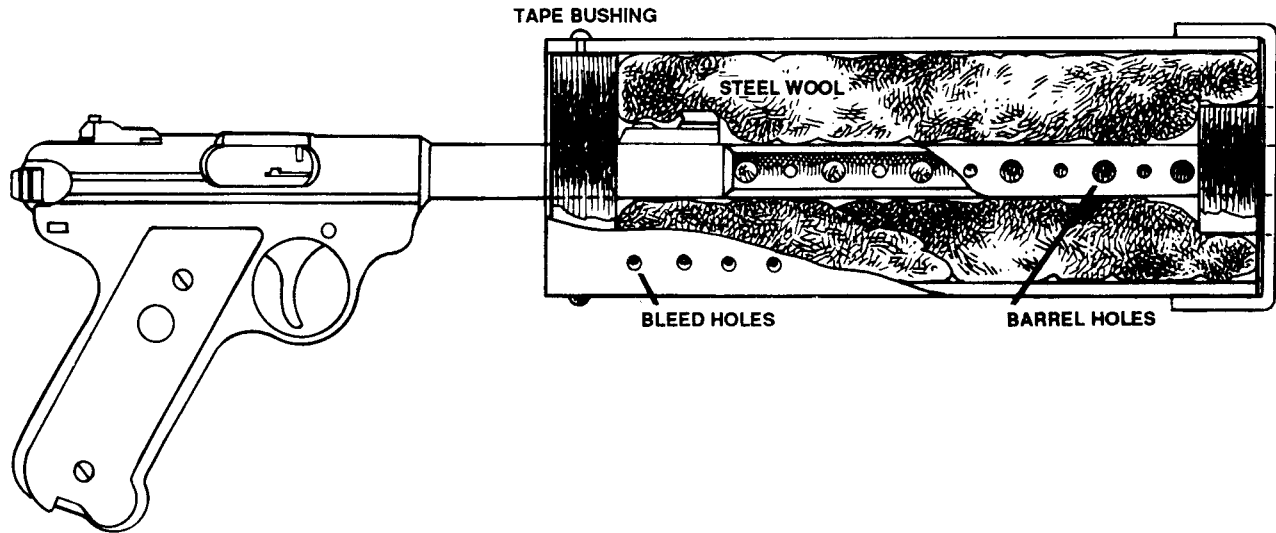
Use either the hose or muffler clamp to hold the silencer in place on the end of the gun. Tighten it slowly and carefully until it is firmly in place.

You now have a professional-looking silencer that will work very well. Happy shooting.

### **A PIPED PIPER**

This adaptation of a basic design owes its genesis to the imaginative fictions of The Sarah Brady Institute of Political Chicanery in Maryland. It is a cosmetic and structural improvement over Lisa's Pipe Dream.

Rather than repeat all of those instructions, let's just start from where you're supposed to wrap duct or electrician's tape around the Chore Boy sponges and



A simple but useful silencer can be made by fastening a ported piece of pipe to your gun barrel, surrounding it with steel wool, then enclosing that in a larger pipe with small holes drilled in it to bleed explosive gases slowly and quietly. (Illustration courtesy of Abigail Landers)

rubber plug, creating an outer shell for the silencer. Stop! Don't wrap any tape. Here is a more clever design to finish off what is already a great silencer.

We're going to use another piece of pipe to create that outer covering. So, proceed as in Chapter 5, only stop before the final step of wrapping tape over the guts of the silencer.

The outer tube needs to be of sufficient diameter to fit over the wrapped inner pipe, and of sufficient length to cover the inner pipe and extend about two inches further for mounting.

You'll need a frieze plug here, too. Drill a center hole in the plug using a bit just slightly larger than the caliber of the gun. Fit the plug over the outer tube and drill a series of small, evenly spaced holes into both. You will be riveting the plug and the tube together, so select a drill bit to match the rivet size.

At the other end of the outer tube you may want to neatly cut three or four slots to facilitate mounting to the weapon. You will also need to make two mounting adapters on the inner tube with electrician's tape, one in front of the Chore Boy wrap and one behind it. These adapters obviously need to be the same diameter as the inner diameter of the outer tube.

The outer tube unit is mounted on the gun by carefully sliding it over the inner pipe so it fits snugly against the tape adapters. Firmly fasten it with a large hose clamp over the rear adapter so the unit is solid. As always, you want to use the dowel or cleaning rod to make absolutely certain your silencer has proper alignment all the way from bore to frieze plug.

That's it. Now go enjoy some quiet shooting time.

## TUBE BE OR NOT TUBE BE

I saw this basic design while visiting the Oliver North Attitude Adjustment Clinic in Retrete, El Salvador. The clinic, run by the Brothers of the Treasury Police, had a two-tube silencer among its medical supplies. An interesting design, and it's one you can produce in the privacy of your own home.

You'll need two pieces of aluminum or PVC tubing, each about 4 or 5 inches long. One piece needs to be an inch in diameter and the other should be an inch and a half. These sizes will need to be increased, of course, if you opt for a larger-caliber silencer. The generic design presented here is for a .22-caliber weapon.

You will also need some screening, 5 inches by about 30 inches, a cellular sponge, a rubber baffle or one-hole rubber stopper, six to eight frieze plugs or some other type of washer, and two or three aluminum spacers about an inch long.

The larger tube will attach to the weapon by hose clamp, setscrew, or compression. Prepare the barrel with the usual tape barrier to build it to size and/or protect its finish.

The sponge, rubber plug, or stopper goes into the far end of the smaller tube. If your plug doesn't already have a hole in it, cut an X into its center before you insert it into the tube. A frieze plug, with a hole centered and drilled, is then riveted over that end of the smaller tube.

Using a dowel or cleaning rod for a core, wrap the screening very tightly. Insert this screening roll into the smaller tube. Check for alignment.

The frieze plugs and aluminum spacers go into the front end of the larger tube to create expansion cham-

bers for the gases. Alternate three or four of the plugs with a spacer. Place the last plugs so that you still have an inch of empty space before the end of the tube. You will also have about 2 inches or so of open space at the rear of this tube (the end that mounts to the weapon). That's fine, because that is your first expansion chamber and it needs to be large to handle the initial rush of explosive gases that follow the bullet out of the barrel.

Next, combine the two tubes by sliding the open end of the smaller into the larger. You may have to make an electrical-tape bushing on the smaller one so that the fit is snug, depending on how much play there is between the two tubes. The screen end of the smaller tube should butt against the final section of plugs and washers in the larger tube. Check the alignment of the two tubes with your cleaning rod.

For a good gas seal, apply some epoxy where the two tubes are joined. If you wish to make this joint more cosmetically natural, use a compression band, solder (real or liquid), or some form of aluminum putty.

You need to align the silencer and the bore after you mount the unit on the weapon. Use the hose clamp, a setscrew, or a compression fitting to secure the unit to the gun. Make it snug so the silencer is mounted firmly.

\* \* \* \* \*

Friends, this is the end of our how-to section for this book. As I noted in the last chapter, I welcome your correspondence and ideas on silencer designs . . . for informational purposes only, of course. I am George Hayduke and I am available at P.O. Box 1307, Boulder, CO 80306. Thank you.

## My Conscience And You

We're done. The tools are away, you've cleaned up the slight amount of scraps and minor construction debris from the kitchen table, and you've got a nice silencer or three for your favorite firearms. Again, like a board-certified Jewish grandmother nagging you to eat your chicken soup, I want to remind you to be sure your silencer is properly registered with our good friends at BATF. Don't even think about starting to build your own silencer until you get back an approved Form 1 from them.

As you all know, I am a stickler for following every government regulation, and I want you to be, too. Old Benjamin Franklin must have had the feds in mind when he wrote, "Mankind are very odd creatures. One half censure what they practice, the other half practice what they censure."

Also, only a hard-core, terminal cynic would think that I have advocated that you do anything illegal. I'm not telling you anything in this book to help you circumvent or ignore the laws about silencers. Indeed, I am trying to help you do your thing legally.

Therefore, treat this book and its design plans for entertainment and educational purposes only until you have satisfied the local, state, and federal governments and their various clerical and enforcement minions. After all, they are servants of We, the People. Or, to paraphrase Edgar Allen Poe, the only thing the common people have to do with laws is to obey them.

So obey those great laws out there, folks. And enjoy your silencers. As I've written, these designs really work. But do your work carefully and safely. Firearms and silencers are dangerous to people on either side of the muzzle, so please use all sorts of good sense and caution. Don't get careless and don't get hurt. As the gentle and wise precinct roll-call sergeant on "Hill Street Blues" used to say, "Let's be careful out there."

As a final bit of homily, in every book I've ever written, I have always cautioned people against doing anything in anger or bragging about what you are going to do or have done. This is especially important when firearms are concerned and even more so in the case of silencers.

Face it; silencers have a bad reputation despite the fact that they are simply combinations of metal, plastic, rubber, and other materials engineered into a sound muffler. It's the irresponsible silencer user who deserves the reputation. So be cool. Keep it very quiet if you're having fun with silencers. And always remember the words of Henry Wheeler Shaw, a wonderful American humorist who used the pen name Josh Billings: "Silence is one of the hardest arguments to refute."