

ECHELONS ABOVE CORPS (EAC)
INTELLIGENCE AND ELECTRONIC WARFARE (IEW) OPERATIONS

Table of Contents

	Page
Preface	iv
CHAPTER 1 - Formulation of Army Theater Intelligence and Electronic Warfare Support	1-1
Theater Operational Considerations	1-1
Operational Level Intelligence	1-3
Doctrinal Principles	1-4
Echelon Interdependence	1-5
Intelligence and Electronic Warfare Support to the AirLand Battle	1-6
Theater Intelligence and Electronic Warfare Tasks	1-7
Intelligence and Electronic Warfare Connectivity	1-8
Joint and Combined Operations	1-9
CHAPTER 2 - Echelons Above Corps Intelligence and Electronic Warfare Structure	2-1
Theater Army Intelligence Staff	2-1
Military Intelligence Brigade (Echelons Above Corps) Organization	2-2
Functional Structure	2-4
Coordination Requirements	2-4
Intelligence Disciplines	2-6
Theater Military Intelligence Brigades	2-8
Employment in Peace, Crisis, and War	2-9
Special Operations Forces	2-10

DISTRIBUTION RESTRICTION: Approved for public release; distribution is unlimited.

*This publication supersedes FM 34-37, 30 September 1987.

CHAPTER 3 - Military Intelligence Brigade (Echelons Above Corps) Headquarters	3-1
Organization	3-1
Mission	3-1
Command Group	3-1
Special Staff	3-3
Coordinating Staff	3-4
Headquarters and Headquarters Company and Headquarters and Headquarters Detachment	3-7
Combat Service Support	3-8
CHAPTER 4 - Military Intelligence Battalion (Operations)	4-1
Headquarters and Headquarters Service Company	4-2
Echelons Above Corps Intelligence Center	4-3
Military Intelligence Company (Technical Intelligence)	4-14
Military Intelligence Detachment (Strategic Imagery Analysis)	4-16
CHAPTER 5 - Military Intelligence Battalion (Signals Intelligence)	5-1
Headquarters and Headquarters Company	5-2
Military Intelligence Company (Signals Intelligence)	5-4
Military Intelligence Company (Control and Processing)	5-5
Military Intelligence Company (Signals Intelligence) (Separate-Echelons Above Corps)	5-8
Operations	5-9
Internal Operating Procedures	5-9
CHAPTER 6 - Military Intelligence Battalion (Collection and Exploitation)	6-1
Headquarters and Headquarters Company	6-2
Military Intelligence Company (Counterintelligence)	6-4
Military Intelligence Company (Interrogation) Operations	6-6
	6-8
CHAPTER 7 - Military Intelligence Battalion (Interrogation and Exploitation)	7-1
Headquarters and Headquarters Company	7-2
Military Intelligence Company (Interrogation)	7-3
Military Intelligence Company (Interrogation) (General Support)	7-3
Target Exploitation	7-3
Operations	7-3
CHAPTER 8 - Echelons Above Corps Battlefield Technical Intelligence	8-1
Battlefield Technical Intelligence	8-1

Military Intelligence Battalion (Technical Intelligence) Organization	8-2
Captured Materiel Exploitation Center	8-4
Battlefield Technical Intelligence Teams	8-6
Battlefield Technical Intelligence Reports	8-7
CHAPTER 9 - Military Intelligence Battalion (Imagery Analysis)	9-1
Headquarters and Headquarters Detachment	9-2
Military Intelligence Detachment (Tactical Reconnaissance Support)	9-2
Strategic Imagery Analysis Detachment	9-5
CHAPTER 10 - Military Intelligence Battalion (Counterintelligence)	10-1
Headquarters and Headquarters Company	10-2
Military Intelligence Company (Counterintelligence)	10-2
Counterintelligence Operations	10-3
Counterintelligence Support to Rear Operations	10-4
Combatting Terrorism	10-5
CHAPTER 11 - Continental United States Military Intelligence Group (Counterintelligence) (Echelons Above Corps)	11-1
Mission	11-1
Organization	11-3
Headquarters and Headquarters Company	11-3
Counterintelligence Battalion (Counterespionage)	11-5
Military Intelligence Battalion (Counterintelligence) (Security)	11-7
Military Intelligence Battalion (Counterintelligence) (Technical)	11-10
CHAPTER 12 - Theater Intelligence and Electronic Warfare Command, Control, and Communications and Support Arrangements	12-1
Intelligence and Electronic Warfare Command and Control	12-1
Automation Support to Command and Control	12-2
Communications Support	12-3
External Communications Support	12-4
Support Arrangements	12-4
APPENDIX - Army Technical Control and Analysis Element	A-1
GLOSSARY	Glossary-1
REFERENCES	References-1

Preface

In the mid-seventies, two events created a void in echelons above corps (EAC) intelligence doctrine and force structure: the transition of Army doctrine from field Army to EAC and the implementation of decisions resulting from the Intelligence Organization and Stationing Study. In 1982, the Army Chief of Staff approved the changes resulting from this document for planning purposes. During this time, US Army Intelligence and Security Command (INSCOM) completed the EAC Intelligence, Security, and Electronic Warfare Architecture Study. This was the base document for EAC intelligence and electronic warfare (IEW) force development. FM 100-16, published in April 1985, incorporated key IEW doctrinal principles.

This manual applies those principles to the Military Intelligence (MI) brigades (EAC) that support IEW in different theaters. The brigades are the critical parts of the IEW structure established at EAC. The IEW functions of the MI brigades (EAC) forge the links with the EAC staff, the echelons above corps intelligence center (EACIC), echelons corps and below (ECB), other MI brigade elements, other services, and national level intelligence agencies.

This manual provides the doctrine for EAC IEW operations, including organizations, missions, functions, and capabilities of MI organizations at EAC. This

manual further supports Army doctrine described in FM 100-5 and FM 100-20.

This manual is not designed nor intended to be a descriptive tactics, techniques, and procedures (TTP) manual. The uniqueness of the EAC theaters in which the IEW units are located prohibits such a task. The geographical and operational focus of the theaters, along with command and National Command Authorities (NCA) guidance, orients the specific IEW support missions; for example, functional and regional tailoring to best achieve the assigned mission.

Chapter 1 describes how the general political and military environment of theaters of operation are formed. It also describes how the IEW structure forms to the operational level focus of the theaters and supports the Army's AirLand Battle Doctrine and IEW doctrinal principles and tasks. All intelligence disciplines have been included in the functional description.

The remainder of the manual discusses the organization of the MI brigades (EAC) under the new "L" series tables of organization and equipment (TOEs). These TOEs provide the framework for describing the missions and functions of the brigade and its subordinate units. These TOEs may be augmented with tables of distribution and allowances (TDAs) force structures. However, such TDA organizations

are theater dependent and are not included in this manual.

This manual is for commanders, staff, and key personnel of all EAC organizations--combat, combat support (CS), and combat service support (CSS). It describes the organization and functions of theater level IEW units and how they support the formulation of operational level intelligence. It thus lends support to the operational planning by all Army units within their functional missions. It should also be used by members of United States Army Training and Doctrine Command (TRADOC) service schools and other military organizations.

The proponent of this publication is HQ, USAICS. Send comments and recommendations on DA Form 2028 (Recommended Changes to Publications and Blank Forms) directly to Commander, US Army Intelligence Center and School (USAICS), ATTN: ATSI-TD-DP, Fort Huachuca, AZ 85613-7000.

This manual complies with STANAG 2084. It does not implement any international standardization agreement.

Unless this publication states otherwise masculine nouns and pronouns do not refer exclusively to men.

This publication does not contain copyrighted material.

CHAPTER 1

FORMULATION OF ARMY THEATER INTELLIGENCE AND ELECTRONIC WARFARE SUPPORT

The focus of this manual is on the MI brigades (EAC). These brigades are found in, or are focused upon, operational theaters worldwide where US forces may be employed to support or protect US national security interests and/or those of our Allies. In order to recognize the important role MI brigades (EAC) play in these theaters, one must first understand other factors which influence and shape military policy within the theaters.

AirLand Battle Doctrine requires that the IEW system provide timely and accurate multidiscipline intelligence, electronic warfare (EW), and counterintelligence (CI) to all echelons. To ensure victory on the battlefield, the campaign plan in a theater of operations calls for the achievement of the theater's strategic goals. The success of the IEW mission to support attaining these goals depends on detailed planning and execution of all phases of IEW operations.

THEATER OPERATIONAL CONSIDERATIONS

National strategy is the plan or expression of the coordinated use of national power which includes political, economic, psychological, and military power during peace, crisis, or war to secure national objectives. It is based on both national

capabilities and threats to the nation and on a thorough assessment of potential enemies.

Military power in support of national strategy is based on deterring and, if this fails, successfully executing assigned missions. Unified Commanders in Chief (CINCs) execute the use of military power in support of US national strategy. Their strategic guidance is expressed in terms of--

- o Aims (to deter or, if necessary, to fight and win).
- o Resources (the forces and sustainment allocated to a region).
- o Limiting factors (what they must do and cannot do in applying those forces).

Military strategy is the combination of military objectives (ends), military concepts (ways), and military force (means) to achieve national security policy objectives. Effective military strategy includes all aspects of preparing military power for its most effective application on a global or regional scale to achieve or secure national objectives. The CINC's mission, then, is to translate the strategic guidance received into operational terms so that he and subordinate commanders can apply military power

through deterrence or, failing that, the conduct of combat operations.

LEVELS OF WARFARE

For the Army, military strategy, operational art, and tactics are the broad divisions of activity used to describe the operational continuum of warfare. A successful strategy achieves national and alliance political objectives with minimal cost in lives and money.

These three activities, in the context of AirLand Battle Doctrine, have been described as perspectives of the operational continuum. (The concept of "levels" has become synonymous with that of "perspective.") Each of these levels generates its own implications for IEW planning. Additional details on the levels of warfare are in FM 100-5 and FM 100-20.

Strategic Level

The strategic level includes US national strategy to deter nuclear attack against the US and its Allies; the conventional defense of all allies; the defense of continental United States (CONUS); and the ability to deal with other contingencies at the lower end of the operational continuum (for example, low-intensity conflicts [LICs]).

Operational Level

The operational level creates the link between national and military strategy;

hence, the application of combat to defeat an enemy. It--

- o Sets the objectives and pattern of military activity. This is generally characterized by maneuver of large units against an enemy's centers of gravity.

- o Focuses on attaining strategic goals in a theater of war or theater of operations through the design, organization, and conduct of campaigns and major operations.

- o Frequently emphasizes joint and combined operations to achieve ultimate success.

Tactical Level

The tactical level includes the tactics and techniques used by maneuver units (corps and below) to destroy the enemy or seize objectives during battles and engagements.

STRUCTURE OF A THEATER FORCE

The operational activities described above create the backdrop for understanding Army IEW support to EAC. The Army, as the land-based component of AirLand Battle Doctrine, is forward deployed into the unified theaters around the world. The Army force is tailored according to the nature of the military threat, as well as political, economic, psychological, and geographic factors. These five "factors of power" affect the conduct of warfare and mold the CINC's military strategy for the theater. Hence, they have a

direct effect on the theater Army component commander's mission planning.

OPERATIONAL LEVEL INTELLIGENCE

By definition, IEW EAC organizations perform their functions at the operational level. In executing intelligence operational responsibilities, the IEW organization must support both the CINC's operational planning and the intelligence requirements of Army forces charged with conducting those operations. The CINC and component theater commanders must consider the above factors into their military strategy to identify enemy centers of gravity and targets that, when attacked, will impact on these centers. They must also be considered to protect friendly centers of gravity. IEW support to the theater must concentrate on identifying these centers of gravity.

The NCA, through the Joint Strategic Capabilities Plan (JSCP)--

- o Provides the planning guidance for developing theater operations plans.
- o Develops strategic concepts and establishes military objectives.
- o Identifies resources for employing and sustaining theater forces in peacetime and wartime.

The military strategy, force structure, and

intelligence requirements of each theater are unique. Differences within each theater of war include--

- o The nature of alliances.
- o Enemy military capabilities.
- o Political and military objectives in theater.
- o Geography.
- o Popular support for US strategic objectives.

Campaign planning defines the organization of resources required to defeat enemy centers of gravity. It is based on a thorough understanding of the political, economic, geographic, and demographic features of a region.

Figure 1-1 shows how the Army IEW system focuses support on the Army's operational force structures. The diminishing length of the lines indicates the relative value of the intelligence to the different levels of the structure of warfare. The figure shows that the greatest amount of both tactical and strategic intelligence occurs at the operational level. It is here that the integration process has the most influence on military strategy.

Tactical intelligence is formed from combat information and analytical processes of units involved in tactical operations. Strategic intelligence is generated by

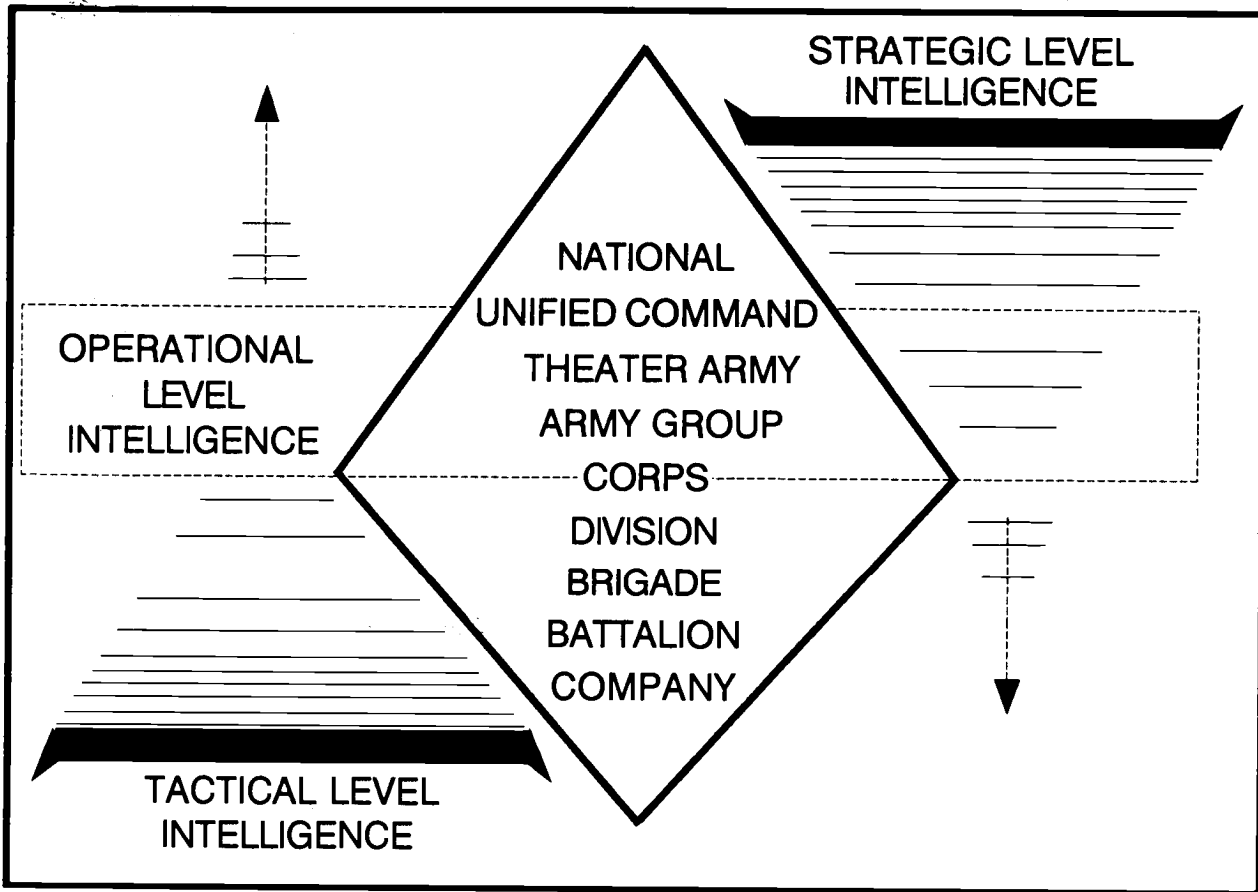


Figure 1-1. IEW support to the force structure.

national intelligence agencies and is sent down to operational forces. The IEW system connects strategic and tactical intelligence activities, supporting the combat forces at all echelons.

Operational level intelligence is required for planning and conducting campaigns within a theater. At the operational level, intelligence concentrates on collecting and analyzing information that identifies and locates strategic and operational centers of gravity. Successful attack of these centers achieves friendly political and theater

military-strategic objectives. Also, intelligence activities are focused on analyzing enemy military capabilities, probable intentions, vulnerabilities, weaknesses, and political and military interests in the region.

DOCTRINAL PRINCIPLES

The IEW system's doctrine for EAC IEW organizations applies to every echelon, regardless of where they operate. The IEW system provides for specific IEW structures, beginning at the armored cavalry regiment (ACR) or separate brigade level and ending at the departmental or

national level. The IEW structure at each echelon is designed primarily to support the combat commander at that echelon. The IEW structure at successively higher echelons is also designed to support IEW units at echelons below it.

The IEW architecture has been developed as a mutually supporting system providing connectivity, cooperation, and coordination among IEW structures at all echelons. It recognizes that IEW operations at each echelon are not independent. IEW operations at higher echelons assist lower echelons in meeting their mission objectives.

The IEW principles that guide mutual support are--

- o Operating on a 24-hour basis.
- o Basing operational elements to facilitate a peace-to-conflict transition.
- o Dedicating communication links to ensure timely support to all echelons and adjacent forces.
- o Employing in an economy of force each echelon's finite IEW assets according to the supported force commander's priorities.

ECHELON INTERDEPENDENCE

The dependence each echelon's IEW organization has on higher commands and each echelon's responsibility to subordinate commands is best explained by how a commander

views the battlefield. All commanders view the battlefield in terms of time, space, and area. These factors influence a commander's information requirements.

The battlefield commander's area of operation (AO) includes all the territory he can presently attack or defend. The commander's area of interest (AI) extends beyond the AO to include areas in which enemy forces capable of affecting future operations are found. These areas have influenced how IEW structures at different echelons are organized. The IEW organizations which are organic to force echelons concentrate their resources on providing intelligence regarding their AO. It then requests from and depends on the IEW organization at the next higher echelon for intelligence regarding its AI.

The AO and AI of a theater will be defined according to the guidelines above and the missions assigned to the theater commander. In a non-linear battlefield situation, these guidelines might more appropriately translate into circles; the radii of which would correspond to the guidelines.

At EAC intelligence support for the theater AI comes from department level, other services, and national agencies. The EAC IEW structure is organized to manage this vast coordination effort. The result is getting the right intelligence into the

hands of the commander to support his decision-making process.

INTELLIGENCE AND ELECTRONIC WARFARE SUPPORT TO AIRLAND BATTLE

Successful AirLand Battle warfare is intelligence dependent. Intelligence is one of the seven battlefield operating systems discussed in FM 71-100 and FM 100-15.

Intelligence is vital to the CINC's operational design. Commanders must orient on decisive objectives (which may be centers of gravity), conduct precise planning, and remain flexible enough to aggressively exploit dynamic opportunities on the battlefield. The IEW structure at EAC supports all four tenets of AirLand Battle (see FM 100-5).

Success at the operational level will depend on the Army's ability to fight in accordance with the basic tenets of the AirLand Battle Doctrine. IEW operations must orient on identifying where on the battlefield the Army commander can commit his forces to achieve decisive results. Effective IEW operations support each AirLand Battle tenet and help the commander gain control of time.

INITIATIVE

Innovative plans and operations are executed by leaders using IEW information to force the enemy to react to the friendly battle plan.

Risks are minimized through accurate and complete intelligence, which clearly distinguishes facts from assumptions and estimates. IEW operations determine likely enemy courses of action which allow commanders to aggressively exploit battlefield opportunities within the framework of the mission. IEW operations support retention of the initiative by anticipating future events.

AGILITY

Battles are accepted or declined because intelligence identifies where an enemy is vulnerable. IEW operations seek to eliminate battlefield uncertainties and to provide commanders the intelligence they require to "read the battlefield" and make quick decisions. Based on intelligence and the friendly campaign plan, commanders rapidly maneuver their forces, mass for operations, and disperse for protection. This keeps the enemy off balance.

DEPTH

The commander uses IEW to plan and bring combat power to bear at each phase of the operation. IEW operations support future friendly operations by gathering intelligence beyond the immediate battle area. Intelligence supports the execution of the commander's campaign plan, throughout the depth of offensive or defensive operations.

SYNCHRONIZATION

Intelligence helps create a unity of effort in effective staff planning, reflecting clear understanding of the commander's intentions. It is reflected in integrated staff actions and supports the synchronized activities of maneuver units. IEW operations support the commander's ability to achieve relative combat power at the decisive point. They provide intelligence on the time-space relationships which impact on his decisions and information on the relation between friendly and enemy capabilities.

Effective IEW operations provide the commander with one of the most important factors affecting military operations--time. Time affects every facet of battle (for example, interdiction and maneuver) at the operational level. It can be the decisive factor necessary for a commander to defeat an enemy force. Intelligence helps the commander gain control of time.

THEATER INTELLIGENCE AND ELECTRONIC WARFARE TASKS

IEW operations at EAC are aimed at accomplishing five tasks to produce operational level intelligence: situation development, target development, EW, security and deception, and indications and warning (I&W). See FM 34-3 for more information about situation development.

SITUATION DEVELOPMENT

Situation development is a

continuing estimate of the situation that projects enemy intentions and the effects of the weather and terrain. Situation development begins with intelligence preparation of the battlefield (IPB). IPB starts well before any combat operations begin. It enables the supported commander to see the entire theater AO, including the communications zone (COMMZ), in sufficient time and detail to generate the appropriate forces to execute the theater commander's campaign plan. This task also provides warning to the corps of follow-on elements entering the corps AI and warning to the Theater Army Area Command (TAACOM) on the level of threat to the COMMZ. IPB is discussed fully in FM 34-130.

TARGET DEVELOPMENT

Target development provides combat information, targeting data, and correlated target information which supports the commander's campaign plan. Target development at EAC focuses on significant events and activities, military-strategic and political issues, alliance relationships, and campaign styles of enemy commanders to yield centers of gravity. The analysis of these factors could yield operational level targets for the theater commander. Target development can be oriented on the identification of enemy special weapon systems, including nuclear, biological, and chemical (NBC); command and control (C²) systems; and other high-value targets (HVTs) or high-payoff targets (HPTs). See FM 34-3

for more information about target development.

ELECTRONIC WARFARE

EW is military action to determine, exploit, disrupt, or prevent hostile use of the electromagnetic (EM) spectrum and protect friendly use of it. EW includes--

- o Electronic warfare support measures (ESM).

- o Electronic countermeasures (ECM).

- o Electronic counter-Countermeasures (ECCM).

EAC IEW operations help focus the EW resource allocation process for intelligence forces in the theater AO. The operational commander must direct the limited EW effort toward targets vulnerable to EW, which have the highest payoff and are within the commander's capability to attack. See FM 34-40 for more information about EW.

SECURITY AND DECEPTION

The realm of security operations is focused on protecting the force, regardless of size or theater. It involves preventing or hindering the intelligence collection activities of an enemy force directed at friendly forces on the battlefield. It also includes countering the various foreign intelligence services (FISs) whose peacetime collection

activities continue during military operations. Deception operations are important combat multipliers during military operations. IEW support furnishes the information about an enemy force that deception planners require to implement these operations. Effective deceptions and tight operations security (OPSEC) enhance combat power by confusing the enemy and reducing his foreknowledge of friendly actions. See FM 34-60 for more information about security operations and FM 90-2 for more information about battlefield deception. See FM 90-2A(S) for information about electronic deception.

INDICATIONS AND WARNING

I&W information is used to develop and refine regional indicator lists of enemy activities and possible intentions. It is derived from intelligence activities that detect and report time-sensitive intelligence information of foreign developments. These developments could pose threats to US or Allied military, political, or economic interest, or to US citizens abroad. See FM 34-1 for information about I&W.

INTELLIGENCE AND ELECTRONIC WARFARE CONNECTIVITY

Effective IEW operations require substantial communications to support the technical interface required between all echelons in the IEW structure. To establish this

interface, tasking and reporting channels are established between EAC and ECB. The theater G2 disseminates all-source intelligence products and passes collection requirements to corps G2s over these channels. Conversely, the corps G2s request intelligence information from the theater G2 who includes tactical intelligence requirements in the EAC collection plans.

Separate signals intelligence (SIGINT) channels, as provided by Army technical control and analysis element (TCAE) centers, also support the intelligence interface between EAC and ECB. This interface requires dedicated communications channels separate from C² and operational channels. They are used to--

- o Exchange human intelligence (HUMINT), SIGINT technical and target data, imagery intelligence (IMINT), technical intelligence (TECHINT), measurement and signature intelligence (MASINT), and multidiscipline counterintelligence (MDCI) operational data.

- o Provide national and other technical data supporting time-critical collection management (CM).

- o Disseminate intelligence information for processing, cueing, and reporting.

JOINT AND COMBINED OPERATIONS

Operations in a theater of war are invariably multiservice (joint) in character. However, operational direction may be exercised through an alliance structure. When this occurs, US forces would be controlled by a combined command. The C² elements of the theater IEW force must be capable of supporting joint and combined operations. Likewise, the senior intelligence officer (SIO) directing theater IEW operations may be a J2, from another service, or from an alliance.

The MI brigades (EAC) must also be prepared to provide IEW support to joint and combined commands. Likewise, Army intelligence organizations may depend upon these commands for all or part of their intelligence requirements. The implication for MI brigades is a complete understanding of other US services, host nation, and alliance intelligence systems. Key to that understanding are--

- o The intelligence systems used and their capabilities.

- o CM procedures.

- o Intelligence communication requirements.

The MI brigade (EAC) participates in the tactical exploitation of national capabilities (TENCAP) and the national exploitation of

tactical capabilities (NETCAP) programs. Typically, strategic collection means are among the most sensitive of national assets, especially those sources most likely to reveal probable enemy intentions. Providing such information risks loss of the source. Sanitization does not always eliminate the problem. It extends to protecting the capabilities of technologically superior intelligence or other battlefield operational systems.

In combined or coalition warfare, Allies may doubt the reliability of one another's internal security, making information sharing difficult. Procedures for the release of classified information must be established and clearly understood. These procedures

must cover information and sources developed at a combined captured materiel exploitation center (CMEC) or a joint interrogation facility (JIF).

These types of problems may be unique to the individual theaters. The conduct and responsibilities of the MI brigade (EAC) supporting joint and combined operations or host nations must be determined prior to the start of hostile activities within the theater. The need to share intelligence information will be influenced by the nature of the threat and the existence or absence of political and military alliances and agreements. CINCs must develop and direct specific theater intelligence guidelines based on guidance from the NCA.

CHAPTER 2

ECHELONS ABOVE CORPS INTELLIGENCE AND ELECTRONIC WARFARE STRUCTURE

This chapter describes the IEW structure at EAC. It discusses the resources available and how they provide intelligence, EW, and security and deception support to theater and tactical commanders. It also discusses the functional and coordination requirements of this structure and provides insight into the duties of the key players and how they interface.

THEATER ARMY INTELLIGENCE STAFF

Army IEW operations at EAC receive their directional guidance from the SIO, usually the G2. However, depending upon unique situations within the theaters, Army IEW organizations may be working for the theater J2, or the SIO of another service or combined command. Intelligence structures supporting other echelons within the theater may also be called upon to support theater intelligence requirements. The doctrine for these intelligence organizations is covered in the appropriate IEW manual focused on these echelons.

The EAC IEW force structure is part of the total IEW architecture within each theater. The intelligence staff at each theater varies somewhat, but all theaters have the following staff functions or elements in common:

- o Intelligence plans.

- o I&W division.
- o CI.
- o Collection.
- o Current intelligence.
- o Special security office (SSO).
- o Cryptologic support group (CSG).

INTELLIGENCE PLANS

Accurate intelligence is required to prepare intelligence annexes. Conflict planning requires constant intelligence updates for theater campaign and contingency plans.

INDICATIONS AND WARNING DIVISION

Each theater operates a 24-hour intelligence watch center. It monitors current intelligence and information reporting to determine indication of hostility (IOH) factors. The center issues warnings to other theater intelligence sections and staff elements and is tied into the Defense Intelligence Agency (DIA) worldwide I&W network.

COUNTERINTELLIGENCE ELEMENT

The CI element provides MDCI analysis, planning, and tasking. This portion of the intelligence staff--

- o Provides information on enemy and internal security threats to theater forces.

- o Coordinates the Subversion and Espionage Directed Against the US Army (SAEDA) program and deliberate security violations reporting with CI agencies of other services. (See AR 381-12 for information on the SAEDA program.)

- o Establishes a theater control office for CI investigations and operations.

COLLECTION ELEMENT

The collection element monitors and processes all theater intelligence requirements. It works closely with the collection management and dissemination (CM&D) section of the EACIC supporting the theater Army G2.

CURRENT INTELLIGENCE ELEMENT

The current intelligence element performs analysis, which produces situation development and target development information. The intelligence and information derived from situation and target development is provided to planning personnel. This element also assists in preparing daily briefings and intelligence updates, intelligence summaries (INTSUMs), and daily intelligence summaries (DISUMs).

SPECIAL SECURITY OFFICE

The SSO is responsible for the security, control, and

dissemination of sensitive compartmented information (SCI). It controls SCI billets and requests accreditation of sensitive compartmented information facilities (SCIFs).

CRYPTOLOGIC SUPPORT GROUP

The CSGs provide advice and assistance on SIGINT reporting and dissemination. These groups may be augmented, during crises or war, by the EACIC personnel assigned to the MI brigade (EAC) described in Chapter 4.

MILITARY INTELLIGENCE BRIGADE (ECHELONS ABOVE CORPS) ORGANIZATION

The IEW organization at EAC is an MI brigade which is specifically designed to support the theater or region in which it operates. The brigade serves as a C² headquarters for subordinate and attached brigade elements. It includes an EACIC that controls, manages, tasks, processes, analyzes, and disseminates intelligence. Figure 2-1 shows the generic MI brigade (EAC) organization.

US Army EAC IEW organizations (MI brigade [EAC]) support unified, joint, and combined commands; other US Army EAC commands within the theater; and CONUS major Army commands (MACOMs). MI brigades (EAC) are under the command of INSCOM and are under the operational control (OPCON) of the respective theater commander during peacetime. During conflicts, they revert to the command of the theater commander.

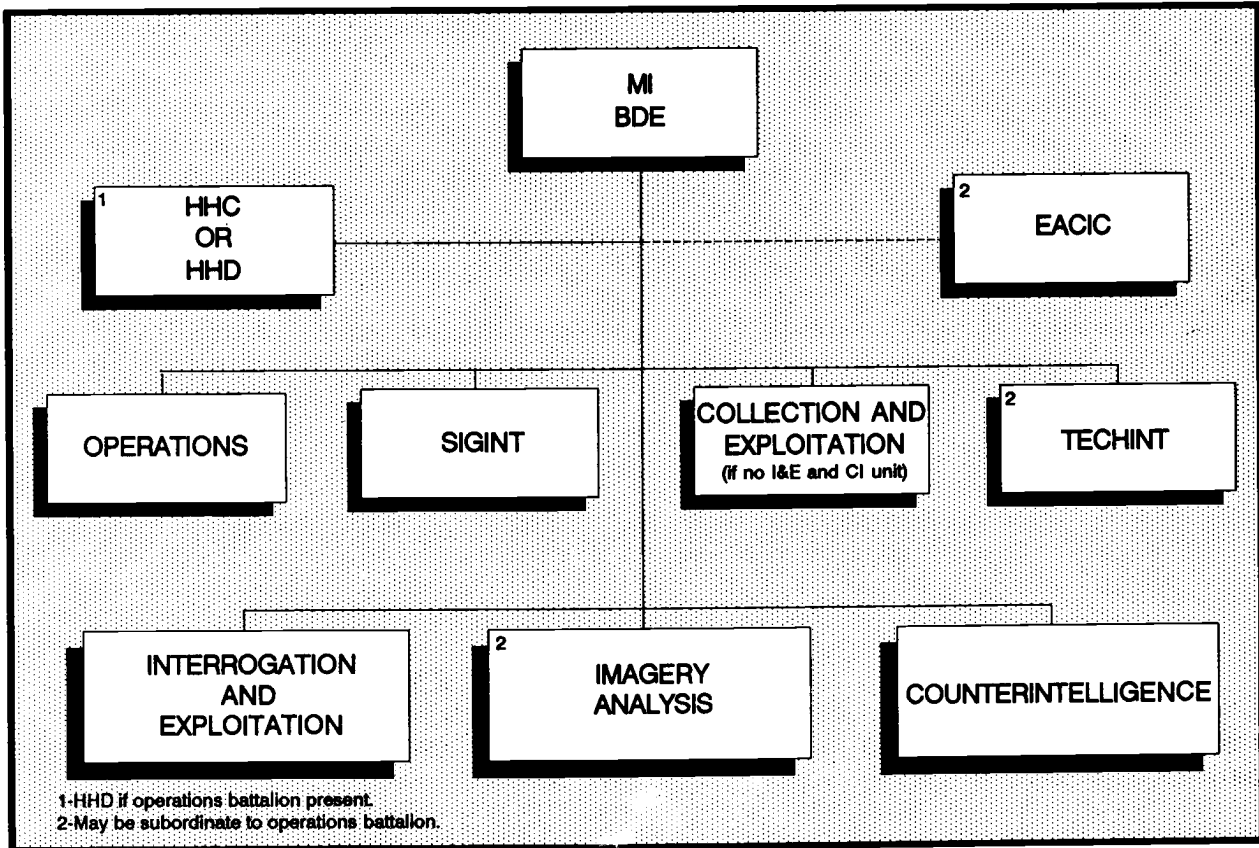


Figure 2-1. Type MI brigade (EAC) organization.

The organizational principles of mission tailoring are applied to the MI brigades (EAC). They are regionally tailored according to the theater's mission and its specific geographic area. This provides the appropriate mix of organizations, IEW equipment, linguists, area expertise, and data bases necessary to meet the theater commander's requirements.

The G2 or SIO generally assigns a general support (GS) mission to the IEW force in support of the EAC command or theater. However, the IEW force may be assigned other standard tactical missions, such as direct support (DS), reinforcing (R), and general

support-reinforcing (GS-R) to support subordinate maneuver commands or other IEW organizations within the theater.

The MI brigade (EAC) complements ECB MI organizations within the theater. The regional focus of each brigade eases the transition from peace to crisis situations. Each brigade, while tailored to meet the IEW mission requirements of its supported command, can also respond to the mission requirements of other MI units in the theater.

This design concept also allows for the economical employment of finite IEW

assets. The IEW structure at each echelon is organized to focus on its own AO. This structure automatically provides support to each subordinate unit's AI. For example, the corps IEW structure focuses on the corps commander's AO. It then depends on the theater IEW force for intelligence on the corps commander's AI. The more sensitive sensors and controlled HUMINT assets, aimed at the theater AI, are managed at higher, more secure echelons but are still available to lower echelons.

FUNCTIONAL STRUCTURE

The IEW system provides the framework within which each IEW force functions. The functioning of the system is common to all levels of command. Generally, it includes a director, coordinators, producers, and executors.

DIRECTOR

The theater Army commander is the director. The commander is instrumental in establishing the direction for the EAC IEW structure in the form of the stated priority intelligence requirements (PIR) and other information requirements (IR).

COORDINATORS

The G2 and the G3 are coordinators. Together they provide staff supervision for the IEW effort and, depending on the theater, may also provide functional expertise.

PRODUCERS

The producers support the G2s and G3s at all echelons. They conduct all-source analysis on collected information to produce intelligence and to satisfy the needs of the command. This allows the coordinators to devote most of their time to managing the intelligence effort and advising their commanders.

EXECUTORS

The primary executors are the MI units that provide the IEW support. Although MI unit commanders have primary responsibility for the conduct of IEW missions, other commanders of units capable of executing IEW operations play a significant role. Units able to perform such functions are tasked in the senior command's collection plan and/or EW plan.

COORDINATION REQUIREMENTS

The G2, G3, and MI unit commanders are the key players on the IEW team. The G2 and G3 plan, control, and direct EAC IEW operations. MI unit commanders direct the specific employment of their brigades' assets to execute those operations. The team provides guidance for all EAC intelligence operations. Team members must continuously coordinate with each other to ensure mission accomplishment.

Within the EAC IEW structure, a variety of

activities take place to ensure that the commander's intelligence requirements are satisfied.

The G2, as the commander's principal advisor on threat, weather, and terrain--

- o Supervises intelligence operations.
- o Coordinates the development of collection requirements and supervises CM.
- o Tasks the appropriate elements.
- o Exercises OPCON over supporting EACIC IEW activities.
- o Coordinates intelligence requirements.

The G3, assisted by the G2--

- o Coordinates the OPSEC effort.
- o Manages the ECM effort.
- o Plans and coordinates the battlefield deception effort.
- o Tasks subordinate elements for assistance.

The MI brigade (EAC) commander employs available organic and attached MI assets to execute the IEW mission. Employment of the IEW assets must be in context with the Army commander's overall campaign and not in the narrow

context of the capabilities of the assets themselves.

Since no single echelon of command can meet all of its intelligence requirements with its own organic resources, each must ensure that its resources are fully integrated into the IEW system. The inter-dependency created by this situation requires systematic and detailed coordination up and down the IEW system to ensure a successful collection effort. The requirement for coordination applies equally to producers and executors. To enhance the success of IEW operations, this coordination must be centrally managed at each echelon. The logical point for this coordination is the collection management officer (CMO).

The Army EAC IEW structure must interact and function with joint or combined military forces and host nations. The size and scope of these IEW operations at EAC are affected by the--

- o Necessity to augment and sustain tactical IEW support requirements.
- o Amount of support required for Army EAC commands and units.
- o Amount of Army IEW support requirements for joint, unified, and combined commands.
- o Degree of IEW interoperability between other services, Allies, host nations, and intelligence systems.

- o National requirements placed on Army IEW resources at EAC and interaction with other Army units to meet those strategic requirements.

The EAC IEW force must maintain continuity of operations while making the transition from peace to war. To ensure this continuity and to optimize capability, IEW organizations are forward deployed to the maximum extent possible.

Intelligence organizations at EAC are organized and deployed to support theater wartime requirements and are augmented to satisfy peacetime missions. The transition from peacetime, through crisis, to wartime operational status will not be an abrupt shift from training to combat. Rather, the transition will be marked by increases in the scope, intensity, and timeliness of operations. In some cases, targets may differ and our involvement with non-Army and non-US agencies will modify IEW operations.

Within the operational level of any conflict, the Army EAC intelligence structure is a part of the joint theater IEW system. It, along with the IEW components of other services and Allied nations, must provide the intelligence to support the theater CINC's sequence of operations which comprise the campaign plan. This includes the initial deployment of assigned and follow-on forces.

INTELLIGENCE DISCIPLINES

The principal intelligence disciplines are--

- o HUMINT.
- o SIGINT.
- o IMINT.
- o TECHINT.
- o MASINT.

These disciplines are discussed in detail in later chapters. What follows is an overview.

HUMAN INTELLIGENCE

HUMINT includes all information derived through human sources. Typical EAC HUMINT collection activities include all foreign positive intelligence collection operations, such as--

- o The exploitation of enemy prisoners of war (EPWs) and detainees.
- o The exploitation of captured enemy documents (CEDs).
- o Debriefings.
- o Long-range surveillance (LRS) operations.
- o Overt elicitation activities to include liaison with local military or paramilitary forces.
- o Information from friendly troops.

- o Low-level source operations (LLSO).
- o Controlled collection.

SIGNALS INTELLIGENCE

SIGINT results from the collection, location, evaluation, analysis, and fusion of intercepted EM emissions. SIGINT sources include--

- o Communication signals from ground forces, paramilitary, and clandestine command, control, and communications (C³) systems. These signals are primarily in the high frequency (HF) to super high frequency (SHF) range.

- o Noncommunication emitters supporting enemy weapon systems, such as air defense artillery (ADA), surface-to-air missiles (SAMs), and surface-to-surface missiles (SSMs).

IMAGERY INTELLIGENCE

IMINT results from evaluating and collating information obtained through imagery analysis (IA). It is a vital part of our intelligence capability at strategic, operational, and tactical echelons. IMINT sources include--

- o Radars.
- o Infrared sensors.
- o Optical sensors.
- o Electro-optical (E-O) sensors.
- o Multispectral sensors.

TECHNICAL INTELLIGENCE

TECHINT results from exploiting captured enemy materiel (CEM), foreign technological developments, and the performance and operational capabilities of foreign materiel as they relate to military purposes. TECHINT--

- o Can range from routine modifications to existing equipment to items reflecting major advances in offensive or defensive capabilities.

- o Is concerned, during war, with high priority items requiring immediate field exploitation to determine major capabilities, limitations, and possible friendly counter-measures.

MEASUREMENT AND SIGNATURE INTELLIGENCE

MASINT results from the analysis of technical and scientific data derived from special sensors. This analysis--

- o Can identify distinctive features associated with electronic equipment used by enemy forces on the battlefield.

- o Can be used to identify specific equipment or to develop countermeasures against the equipment, as required.

- o Can be used to support signature data requirements for programming and/or reprogramming of automated/smart sensors, processors and smart munitions.

THEATER MILITARY INTELLIGENCE BRIGADES

Today's INSCOM theater support organizations are deployable, multidisciplined IEW brigades which perform theater IEW support missions for operational commanders. INSCOM MI brigades focus on:

- o Europe.
- o Southwest Asia.
- o Americas.
- o Northeast Asia.
- o Pacific.
- o CONUS.

The theater MI brigades are transitioning to the "L" series TOE. They provide the basic intelligence structures for IEW support to theater commanders to satisfy peacetime support requirements. Roundout units from the Reserve Components (RC) are assigned to the brigades to complete the force structure.

The organization of the MI brigade (EAC) shown at Figure 2-1 is a generic structure and shows the types of IEW units which are subordinate to the brigade. The brigades are tailored according to their IEW support missions. Some brigades may have battalion size units while others may have only companies.

The current "L" series TOE organization maintains the integrity of the IEW system and

strengthens intelligence C². Inherent in the EAC brigade organization is the flexibility required by the commander to facilitate the optimal employment of the IEW assets. By applying the principle of economy of force, the commander achieves the best allocation of scarce IEW resources among the competing demands of satisfying strategic and tactical intelligence requirements.

Each brigade has within its organization an EACIC. The EACIC is the center for CM and all-source intelligence production for the brigade. The EACIC supports the theater Army command. It becomes the coordinating element for the efficient functioning of the intelligence cycle in relation to each theater's IEW mission.

EAC IEW organization and operational capabilities are tailored regionally and functionally to fit the special needs of the theaters involved.

Regional tailoring matches units to a specific geographic area. It provides an appropriate mixture of language skills, area expertise, proper data bases, and equipment. Effective IEW operations depend upon the abilities of our soldiers, to include their technical and language skills. Language skills must be maintained at specified proficiency levels as determined by the Defense Language Proficiency Test. The minimal proficiency levels of 2/2/2 for language skills in

listening, reading, and speaking comprehension must be maintained through effective in-unit language training programs. (See AR 611-6 for these programs.)

Regional tailoring meets the anticipated IEW requirements for the type of conflict likely to confront US and Allied forces in the AO. Like the combat forces the IEW structure supports, this tailoring is sufficient to respond appropriately to the varied challenges likely to be encountered.

Functional tailoring provides the appropriate mixture of assets to support the five intelligence functions in order to meet the needs of the supported command.

EMPLOYMENT IN PEACE, CRISIS, AND WAR

MI brigades (EAC) are a major US source of intelligence on enemy ground forces. The brigades are tailored according to the characteristics of the threat force in their respective regions of the world.

IEW operations at EAC are continuous and usually conducted similarly during peace, crisis, or war. IEW organizations at EAC are modified for peacetime missions but are prepared for a rapid transition to war. The peace, crisis, and war requirements for IEW at EAC are also similar. Target development will vary in scope, timeliness,

and intensity. Our involvement with non-Army and non-US organizations will shape theater IEW operations. Ideally, in a crisis, US Army, joint, and national IEW organizations are in place and operating.

Once combat operations begin, the focus changes from support of war readiness and planning, with emphasis on I&W intelligence, to situation development, target development, EW, and security and deception. However, I&W operations can continue to play a significant role in helping the Army commanders achieve "positional advantage" (depth) needed for the campaign plan to succeed.

Interconnectivity requirements vary depending on the nature and intensity of the conflict; the US force structure supported (for example, theater or joint task force [JTF]); and the degree of interaction with and sophistication of Allied and host nation intelligence resources.

Peacetime provides the time to plan and conduct operations and the opportunity to emplace sophisticated intelligence sensors and support systems in desirable areas to support the wartime missions. In wartime, certain areas probably would be denied or accessible only at great risk. EAC intelligence operations must, therefore, exploit all peacetime opportunities.

EAC intelligence support relies on multidiscipline intelligence data bases and on sources developed in peacetime. Army units that need data about a theater for which an MI brigade (EAC) has responsibility will direct queries to that theater EACIC. In order to support peacetime and wartime operations, combat units develop and maintain current data bases on those areas of the world where armed conflict is likely.

In the transition to war, the MI brigade (EAC) must simultaneously support the theater's operational and tactical levels of war. For those regions of the world where there are no forward-deployed Army combat forces, the need for strategic and tactical intelligence data bases remains a priority intelligence mission.

Similarly, intelligence sources required in war must be established and activated during peacetime. This requirement necessitates the forward deployment of EAC intelligence forces' collection capabilities. Developing intelligence sources where contingency operations are most likely (such as Latin America and Southwest Asia), coupled with interregional EAC IEW support to ground forces, reduces the chance of US Army elements' deploying into an intelligence barren environment.

Subordinate units and elements of the MI brigade (EAC) normally are placed in

DS, GS, or GS-R of US forces corps and below, other intelligence units, and, in some cases, Allied and combined commands. DS, GS, and GS-R arrangements in peacetime should parallel as closely as possible those support relationships needed during conflicts; this is done in coordination with the commands involved. In peacetime, support relationships include taskings from national intelligence agencies. Effective organizational planning, habitual support arrangements, and interface between IEW elements and supported commands strengthen these operational relationships in the peace-to-war transition.

SPECIAL OPERATIONS FORCES

All deployed special operations forces (SOF) are under the OPCON of a subordinate unified command. A special operations command (SOC) receives joint intelligence from the Joint Intelligence Center (JIC). The Army Special Operations Forces (ARSOF), under the command (less OPCON to the CINC) of the theater Army, relies on the established IEW force structure for intelligence support.

The Theater Army Special Operations Support Command (TASOSC) functions as a headquarters responding to the needs of the theater ARSOF. When SOF are committed to a theater, the TASOSC will attach an intelligence support element (ISE) to the theater CINC's JIC or the MI brigades. It also attaches an intelligence

support team (IST) to major subordinate commands (MSCs) to assist with SOF intelligence requirements. The ISE ensures

that SOF requirements are included in the CM plan. For more information on ISEs, see FM 34-36.

CHAPTER 3

MILITARY INTELLIGENCE BRIGADE (ECHELONS ABOVE CORPS) HEADQUARTERS

This chapter describes the mission and organization of the MI brigade (EAC). It discusses staff responsibilities of the brigade headquarters and CSS required by the brigade and its subordinate units. In general, the MI brigade (EAC) headquarters, under the "L" series TOE, consists of a brigade headquarters, a company headquarters, and a headquarters and headquarters company (HHC) or a headquarters and headquarters detachment (HHD).

ORGANIZATION

The brigade headquarters consists of a--

- o Command group.
- o Coordinating staff.
- o Special staff.

All support personnel for the MI brigade (EAC) are assigned and controlled by the HHC or HHD commander. Figure 3-1 shows the organization of an HHC MI brigade (EAC).

MISSION

The mission of the MI brigade (EAC) is to provide IEW support to battle management at joint and Allied command levels; to theater rear operations; and to the sustaining base. The MI brigade (EAC) participates in national level IEW operations. Specifically, the headquarters

is responsible for--

- o C² of subordinate elements conducting IEW operations.
- o Staff planning, control, and supervision of administration and operations of attached units.
- o Transition-to-war planning.
- o IEW support to battle managers at the joint and Allied command levels.
- o Reinforcement of IEW support to all theater MI units or staffs.

COMMAND GROUP

Brigade headquarters consists of the brigade commander, executive officer (XO), command sergeant major (CSM), and the commander's staff sections.

COMMANDER

The brigade commander is responsible for all brigade operations. The commander defines the brigade mission and its mission tasks (through the unit mission-essential tasks list [METL]). He establishes the brigade's objectives, directs its concept of operations, and assigns missions. The commander's vision--the key to mission accomplishment--guides the actions of the staff and

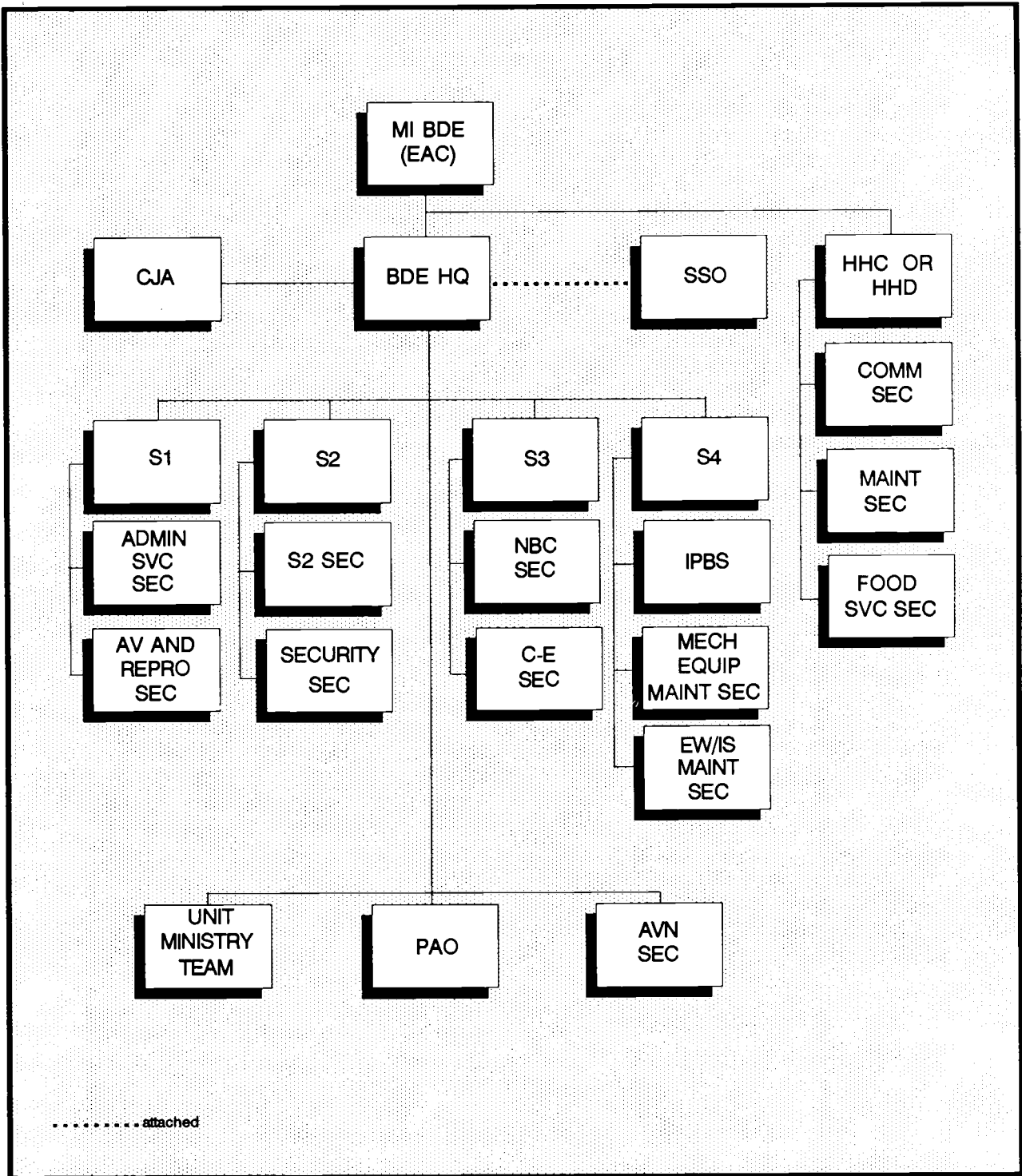


Figure 3-1. MI brigade (EAC).

subordinate commanders during an operation. The brigade commander is personally involved in the brigade's IEW operations. He provides clear guidance and follows up to ensure the guidance is carried out and meets the needs of the unit.

DEPUTY COMMANDER

The deputy commander represents the brigade commander in matters of command authority and responsibility when the commander is not available. While specific C² functions may vary, the deputy commander is responsible for operations of the brigade command post (CP), and for those essential brigade links with critical support elements. The deputy commander is also the point of contact (POC) with the host nation.

EXECUTIVE OFFICER

The XO directs the execution of staff tasks, the coordinated effort of staff members, and the efficient and prompt response of the staff. The XO directs the efforts of both coordinating and special staffs.

COMMAND SERGEANT MAJOR

The CSM, as the senior ranking enlisted soldier in the brigade, is the brigade commander's principal advisor on matters involving the soldiers of the command. The CSM stays cognizant of the state of training, discipline, health and welfare, morale, and esprit de corps of soldiers throughout the command. The

CSM is also responsible for NCO professional development throughout the brigade.

SPECIAL STAFF

Special staff officers assist the commander in professional, technical, and functional areas. They generally are organized into sections according to their area of interest in the command.

SPECIAL SECURITY OFFICE

The SSO of the brigade functions under the staff supervision of the S2. The SSO is responsible for the control of SCI within the brigade. This office also administers SCI billet management and controls and accounts for all SCI material the brigade uses.

COMMAND JUDGE ADVOCATE

The command judge advocate (CJA) provides advice to the commander concerning the legal aspects of intelligence and operations law as they affect the mission. He is designated as a special staff officer and has direct access to the commander.

The CJA provides advice and assistance in other areas of law which may impact the mission generally. These areas include--

- o Military law (for example, Department of Defense [DOD] directives, Department of the Army [DA] regulations, the Manual for Courts Martial [MCM], and local installation and command regulations).

- o Domestic law (for example, Executive Orders, US statutes, Federal regulations, state laws, and local laws).

- o Host country law.

- o International law (for example, status of forces agreements [SOFAs] and treaties) and law of land warfare and Geneva Convention considerations.

The command must seek the CJA's advice on all matters pertaining to intelligence activities and intelligence oversight efforts.

UNIT MINISTRY TEAM

The brigade chaplain is a special staff officer with direct access to the commander. The unit ministry team--

- o Provides religious support forward to the brigade's units on the battlefield, if practical.

- o Provides or performs rites, ordinances, sacramental spiritual counseling, and pastoral care for soldiers.

- o Advises the commander concerning the morale, moral climate, and religious welfare of soldiers in the unit.

- o Advises the commander on ethical issues in the command.

PUBLIC AFFAIRS OFFICE

The public affairs officer (PAO) informs soldiers about

the organization, its objectives, equipment, personnel, and the citizens in the AO. The PAO attempts to instill in soldiers a sense of history, motivation, and esprit de corps. The PAO also strives to minimize the effects of rumor and enemy psychological operations (PSYOP).

AVIATION SECTION

The aviation section provides technical expertise in Army IEW aviation. It provides planning expertise concerning unique intelligence missions that require aviation support. The aviation staff officer assists in the aviation unit's training program and monitors the brigade's IEW aviation support operations.

COORDINATING STAFF

Coordinating staff officers are the commander's principal staff assistants. Each officer is concerned with one (or a combination) of the broad fields of interest. They assist the commander by coordinating the plans, activities, and operations of the command.

PERSONNEL (S1)

The S1 aids the brigade commander and staff in personnel matters and provides staff supervision to two sections: the administrative services section and the audio-visual (AV) and reproduction section.

The administrative services section--

- o Handles all personnel services.

- o Coordinates directly with the theater personnel service company to ensure proper personnel services support.

- o Has OPCON over personnel organic to the brigade and has oversight responsibilities over the theater personnel service company's support to the brigade.

- o Provides recommendations to the S1 on personnel assignments and placement and assists subordinate units with records, files, and publication management.

The AV and reproduction section--

- o Handles the brigade's support reproduction services.

- o Provides administrative and AV services to the brigade.

INTELLIGENCE (S2)

The brigade S2 is the principal staff assistant for formulating, developing, implementing, and supervising security policies and procedures in support of theater operations. The S2 staff element consists of an S2 section, which is responsible for personnel and document security, and a security section.

The S2 section has a CI officer who develops plans for implementing brigade CI programs. The personnel and

document security section is responsible for personnel security administration and classified document accountability. The physical security section contains military police (MP). This section works with the brigade SSO to control access to the SCIF established by the SSO.

OPERATIONS AND TRAINING (S3)

The S3 manages field operations and formulates plans for the brigade. The S3--

- o Coordinates and resolves taskings with appropriate authorities.

- o Stays abreast of unit operations and current capabilities.

- o Evaluates unit performance.

- o Develops and implements the unit OPSEC program.

- o Develops and oversees the unit language maintenance program.

The S3 establishes a brigade operations center, from which the commander exercises C² of subordinate units. The operations center communicates with the theater Army main CP and the EACIC. The S3 coordinates closely with the EACIC. The brigade S3 allocates resources required to accomplish the tasking. Close, continuous coordination between the EACIC and the S3 ensures that--

- o Taskings are within the current capability of the units.

- o Priorities are consistent and reasonable.

- o Operational deficiencies are quickly identified and corrected.

- o Units are optimally positioned to accomplish assigned tasking.

- o Additional assets are requested, as required.

The S3 appraises the commander of the state of intelligence operations and unit readiness and is responsible for all the brigade's operation plans (OPLANs) and operation orders (OPORDs).

The S3 is staffed with MI personnel with functional expertise in all intelligence disciplines. As training manager for the brigade, the S3 establishes command training policies and guidance; monitors the conduct of training; and informs the commander of the brigade's training readiness. The S3 determines types and quantities of equipment (common and intelligence property items) needed to accomplish planned operations. The S3 also establishes the priorities for distribution and redistribution of assets and prepares OPLANs and OPORDs for the brigade to include the TECHINT appendix of the OPORD. The S3 has an NBC section and a communications-electronics (C-E) section.

The NBC section provides defensive NBC expertise to the brigade and ensures that the brigade is adequately trained to function under NBC conditions. (See FM 3-101 for information on chemical staffs and units.)

The C-E section has staff supervision over the communications section in the HHC or HHD (depending upon theater organization of the brigade). The C-E section is responsible for all brigade communications and ECCM. Based on the concept of operations developed by the brigade commander, the C-E section--

- o Determines communication support requirements.

- o Ensures that the brigade is electronically tied into theater EACIC and Theater Army Communications System (TACS).

- o Prepares C-E OPLANs and OPORDs.

- o Provides technical supervision and training.

- o Provides input to the brigade signal operation instructions (SOI).

SUPPLY (S4)

The S4 is the principal staff officer responsible for--

- o Supply.

- o Intelligence property accountability.

- o Automotive maintenance.

- o Electronic and SIGINT systems maintenance.
- o Transportation and movement.
- o Medical service.
- o Food service.
- o Contracting.
- o Procurement.
- o Other logistics support to the brigade:

The S4 section prepares logistic plans and provides input to the brigade OPOD.

The food service technician, located in the S4, supervises all dining facilities within the brigade. The staff supply technician--

- o Coordinates the assignment of units to appropriate ration breakdown points and water points.
- o Oversees the operation of dining facilities, sanitation, and food preparation and serving.
- o Handles the collection and accountability of funds, as necessary.
- o Plans requirements.
- o Monitors regulation enforcement.
- o Supervises receipt and storage of all supplies and supply-related items.
- o Supervises receipt,

storage, distribution, and redistribution of all supplies within the brigade.

- o Tests and assures that all consumables, including water, are not degraded or contaminated.

The S4 has three subordinate sections:

- o The intelligence property book section (IPBS), which accounts for all property including intelligence-peculiar property and hand receipts of operational property to users.

- o A mechanical equipment maintenance section, which supervises and coordinates all automotive and generator maintenance within the brigade.

- o Electronic warfare/ intercept system (EW/IS) maintenance section, which oversees the EW/IS maintenance of all assigned brigade units. This section coordinates with INSCOM and other MACOMs to provide assistance to subordinate commands.

See FM 101-5 for details on staff responsibilities and functions in the MI brigade (EAC).

HEADQUARTERS AND HEADQUARTERS
COMPANY AND HEADQUARTERS AND
HEADQUARTERS DETACHMENT

The headquarters element of the MI brigade may vary between theaters. It can be either an HHC or an HHD. For those MI brigades with an organic operations battalion, the

headquarters element will be an HHD. If the operations battalion is not present, the headquarters element will be the larger HHC. The "L" series TOE attempts to establish an operations battalion within each MI brigade.

The HHC or HHD supports the internal operations of the brigade, to include billeting and directing organizational communications, maintenance, and food services sections. The HHC commander is responsible for--

- o Personnel administration.
- o Billeting.
- o Training.
- o Discipline.
- o Unit supply.
- o Brigade headquarters property accountability.
- o Food service.

COMBAT SERVICE SUPPORT

The MI brigade is normally located in the theater COMMZ and therefore depends upon the CSS provided by units within the COMMZ. CSS units providing support to EAC are under the command of the theater Army commander who executes DS and GS responsibilities through--

- o The creation of geographically oriented support commands which partition the COMMZ (for example, TAACOM).

- o Functional and specialized subordinate commands, such as the United States Army Total Personnel Command (PERSCOM) or Medical Command (MEDCOM).

- o Units having specialized missions, like petroleum groups, special ammunition brigades, or transportation units.

The TAACOM further assigns area responsibilities to an area support group (ASG). The ASG provides DS CSS to units located in or passing through the assigned area.

The principal driving force behind the brigades logistic operations is the wide dispersal of IEW assets throughout the theater AO. As a result, the brigade and its subordinate units are organized to decentralize logistical functions. This operational concept ties the brigade to the specific supply points or to supply support activities established by the TAACOM.

Of particular concern are the arrangements to support assets which are detached, for both short and long terms, from their parent unit. In these cases the detached asset must coordinate directly with the supported unit for support. The brigade and subordinate S4s must ensure that the elements of the brigade are supported by the nearest CSS unit capable of providing the required support.

CHAPTER 4

MILITARY INTELLIGENCE BATTALION (OPERATIONS)

This chapter describes the mission and structure of the MI battalion (operations). In addition, it describes the structure and operations of the EACIC and other companies subordinate to the MI battalion (operations). If the MI battalion (operations) is not established within a particular theater, the EACIC and other intelligence disciplines in the units described below may continue to be separate organizations until the MI battalion becomes part of the brigade structure. Figure 4-1 shows the organization of the MI battalion (operations).

The mission of the MI battalion (operations) is to provide IEW operation support for the MI brigade (EAC) in support of theater Army or joint or combined forces. Specific functions include--

- o Providing C² of assigned and attached units.

- o Integrating all-source intelligence analysis, production, and dissemination.

- o Providing intelligence, analysis, and support to OPSEC.

- o Providing intelligence analytical support to battlefield deception.

- o Providing near-real time exploitation, reporting, and rapid dissemination support of theater and/or national level collected imagery.

- o Providing CM, data base management, tasking guidance, and tasking for sensor cueing in support of EAC.

- o Providing Army TECHINT support to the EACIC and other services and commands within the theater.

- o Providing mechanical and communications maintenance and administrative support for the

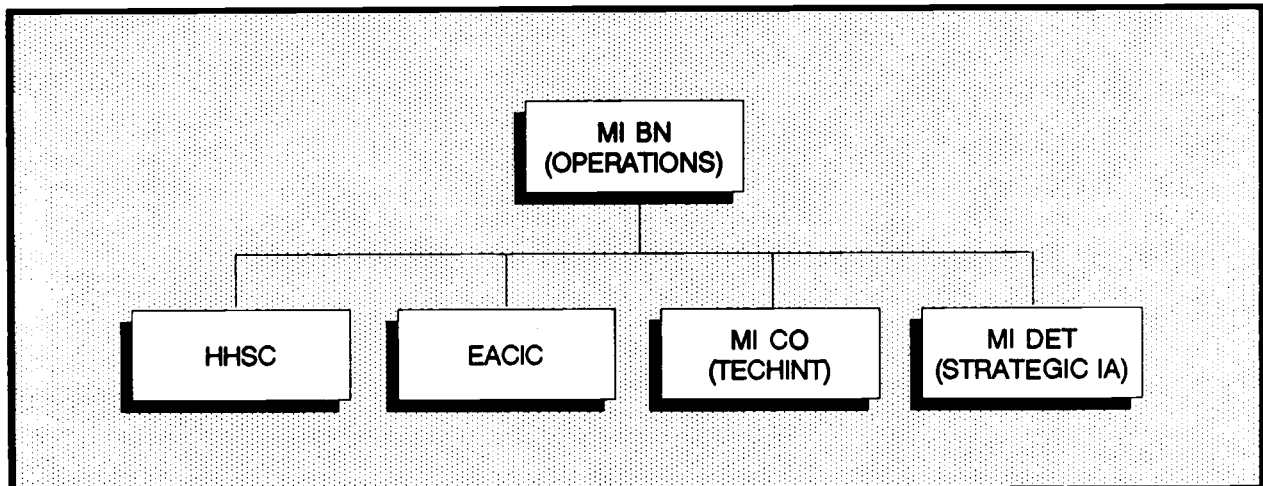


Figure 4-1. MI battalion (operations) organization.

battalion, attached units, and the HHD of the MI brigade (EAC), as required.

- o Providing intelligence and analysis support to Wartime Reserve Mode (WARM) and Reprogramming operations.

- o Maintaining signature data base reference file that can be used to identify those automated/smart sensors, processors and smart munitions and weapons that may be affected by a WARM or Altered signature.

The MI battalion (operations) is organized into a headquarters and headquarters service company (HHSC), the EACIC, a TECHINT company, and a strategic IA detachment. These units contribute to the efficient operations of the IEW structure at EAC and provide specific intelligence

collection capabilities to support the information needs of the theater in which they are located. The battalion can also accept the attachment of tactical reconnaissance support detachments, if they are mobilized from the RC. See Chapter 9 for more details.

HEADQUARTERS AND HEADQUARTERS SERVICE COMPANY

The HHSC includes all personnel working in the various staff sections of the battalion and the headquarters company. The battalion headquarters, shown in Figure 4-2, consists of a command section with the commander, XO, CSM; and the battalion staff sections (S1, S2/S3, S4).

The command section provides C for the battalion and supervises the operational

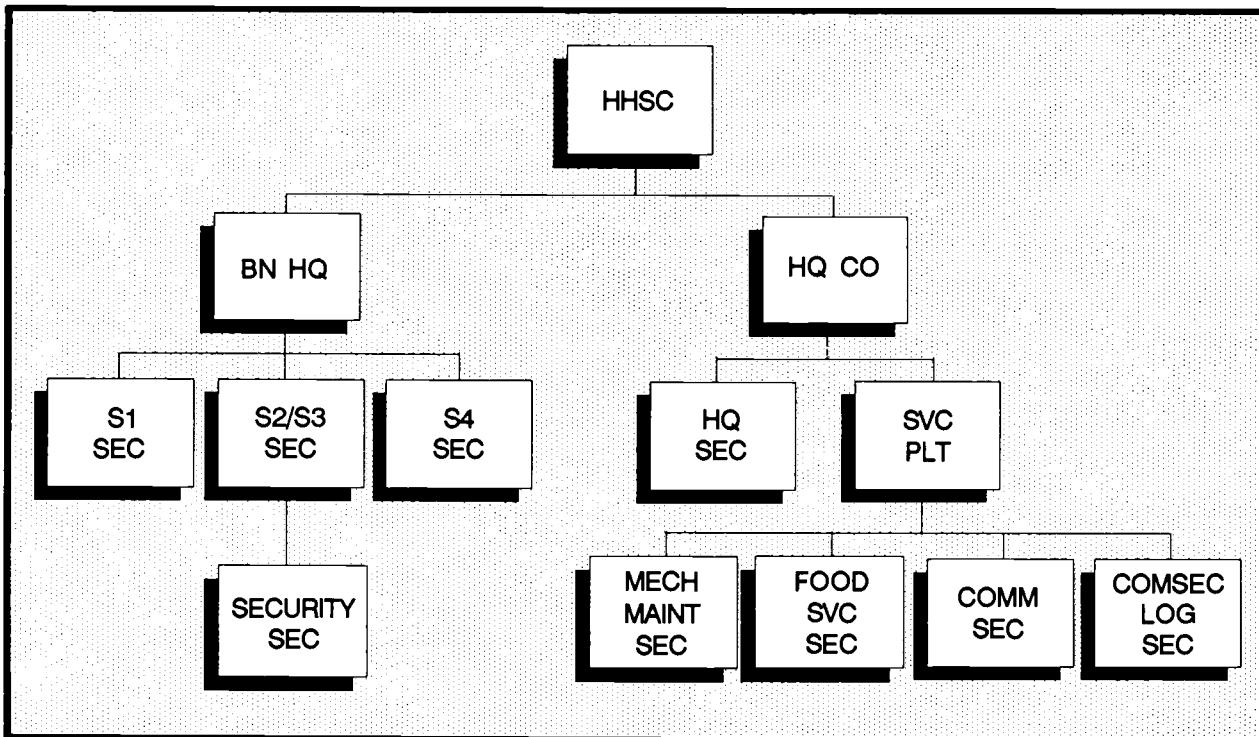


Figure 4-2. HHSC MI battalion (operations).

and support activities of subordinate units. The battalion staff sections are responsible for similar functions performed by their brigade counterparts.

BATTALION HEADQUARTERS

The S1 section provides personnel administrative support to all battalion elements.

The battalion has a combined S2/S3 section. The S2 is responsible for the security manager functions for the battalion. The S3 prepares plans and operations for the battalions support functions and is responsible for all battalion training. The S3 is also responsible for taskings to the TECHINT and IA companies. The security section provides protection for and controls access to the EACIC.

The S4 section is responsible for all supply, maintenance, transportation, and logistics services for the battalion. The S4 also coordinates external maintenance support for the battalion's organic equipment.

HEADQUARTERS COMPANY

The headquarters company provides internal administrative and logistics support for all sections of the company. In addition, the company must ensure that the battalions communications and communications security (COMSEC) requirements are met. Some of the company sections

may be under the staff supervision of a primary staff element.

ECHELONS ABOVE CORPS INTELLIGENCE CENTER

The G2 performs CM and all-source intelligence production for the EAC Army commander in support of the IEW mission, including--

- o Situation development.
- o Target development.
- o E W .
- o Security and deception.
- o I&W.
- o Counter WARM and support reprogramming operations.

The EACIC consolidates the MI brigade's assets for all-source production and CM. It is organic to the MI battalion (operations), but is OPCON to the theater Army G2. The G2 is the SIO in the command and is directly responsible to his commander for all intelligence activities of the command. The EACIC is normally collocated with the supported command G2 and responds to the intelligence needs of the Army component commander. The EACIC coordinates requests with national level intelligence agencies, sister services, Allied forces, and subordinate units to satisfy the commander's PIR or IR. This also includes requests for intelligence information (RIIs) from subordinate units.

MISSION

The EACIC plans, directs, and coordinates IEW operations and performs all-source analysis, production, and CM. The EACIC performs the following general functions--

- o CM, to include sensor tasking guidance and cueing.
- o All-source intelligence production.
- o Intelligence and information dissemination.

EACICs of different theaters are geographically oriented. Their responsibilities for providing IEW support are diverse for both peacetime and wartime.

The EACIC may be tasked with different intelligence requirements ranging from strategic to regional areas of a joint command with assigned AOs or AIs. In some theaters the EACIC will support combined commands. Each command shares wartime requirements of identifying enemy activity within its command's COMMZ and of supplying intelligence to commanders charged with the conduct of rear operations.

Throughout the conduct of the above support operations, the EACIC must remain focused on the operational intelligence requirements of the conflict, which are identifying--

- o Enemy centers of gravity so the commander can direct the campaign plan (or phases) to expose and attack it.

- o An attacker's culminating point, to enable the friendly commander to seize the initiative for offensive operations.

The intelligence staff must be an integral part of the commander's campaign planning process and be constantly attuned to changes in that process. Figure 4-3 shows the relationship between the EACIC and supported commands.

ECHELONS ABOVE CORPS INTELLIGENCE CENTER STRUCTURE

The EACIC, shown at Figure 4-4, consists of a headquarters section, CM&D section, production section, ISE, and communications section.

Headquarters Section

The headquarters section provides C² and coordination for all sections of the EACIC. The chief of the EACIC also serves as the chief of the production section. The combined efforts of all production sections represent a multidiscipline CM and production activity conducting continuous operations.

Collection Management and Dissemination Section

The CM&D section is responsible for requirements and mission management. Requirements management defines what to collect. Mission management defines how to satisfy the requirement. The CM&D primary function is to use

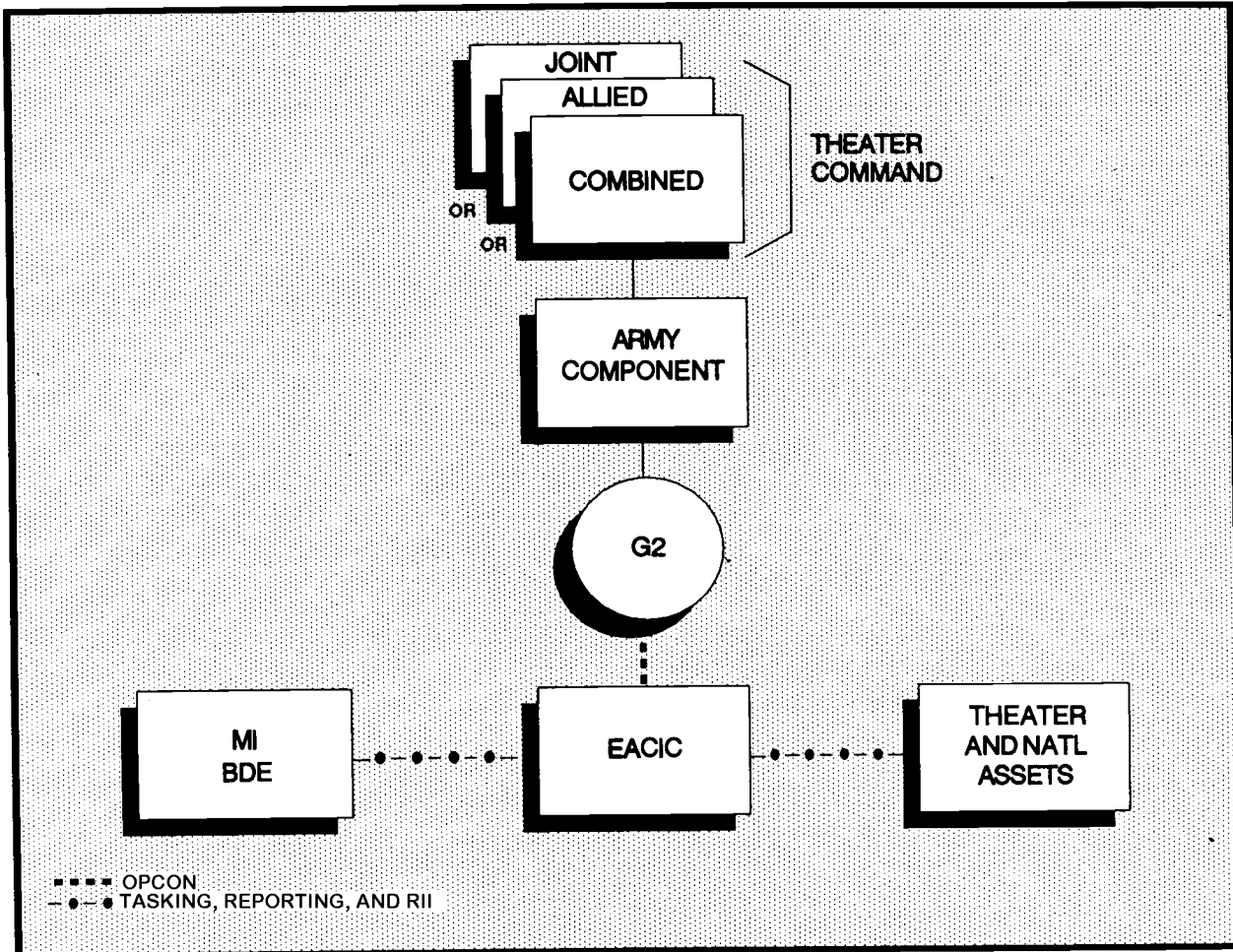


Figure 4-3. EACIC relationships.

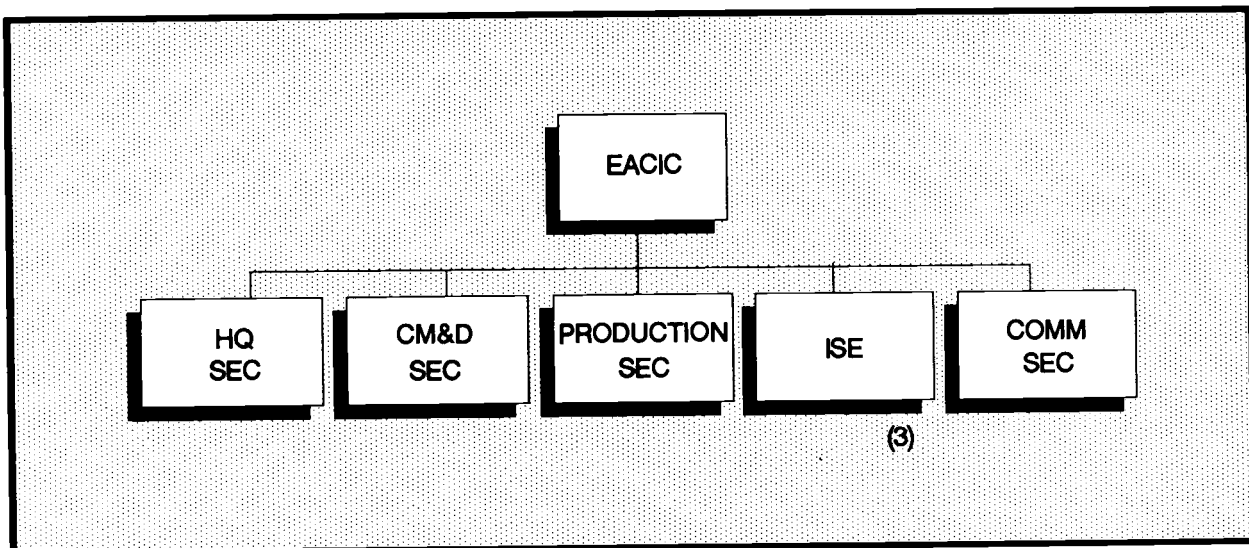


Figure 4-4. EACIC organization.

all collection resources available to assist the G2 in satisfying the theater Army commander's PIR and IR. CM&D section internal procedures are guided by the CM process, as shown in Figure 4-5. This CM process further delineates the asset management responsibilities of commanders.

Asset management is the assignment of collection or ECM missions to specific assets. Unit commanders respond to the mission taskings of the EACIC or the G3 regarding ECM missions.

The process of formulating detailed collection requirements involves receipt of RIIs. Many requests will be PIR and IR. The collection manager must integrate these with the operational considerations and characteristics of the theater AO and the enemy force. The primary purpose of the process is to answer the commander's PIR, using the limited collection resources available.

The collection manager must have a thorough knowledge of collection systems and understand their operational employment limitations in order to determine which sensor or intelligence discipline should be used to satisfy a requirement. This is a priority for successful mission management. The collection manager is assisted in this process by the single discipline teams (SDTs) of the production section.

The CM&D section tasks the MI brigade for collection missions. It requests information and receives taskings from national intelligence systems. As the coordinator of the brigade's collection efforts, this section formats collection requirements which can be satisfied by organic assets and forwards them to the appropriate SDT for action. The collection manager, working with the SDTs, must be able to translate requirements into observable or information indicators from which specific IR are developed. The CM&D section--

- o Directs the collection effort.
- o Coordinates with the TAACOM to support rear operations.
- o Provides CM&D assistance to ECB intelligence units to ensure intelligence shortfalls do not exist.
- o Interfaces with production section analysts to respond to consumer requirements.
- o Coordinates joint requirements.
- o Conducts liaison with Allies.
- o Disseminates intelligence products in response to RIIs and taskings.

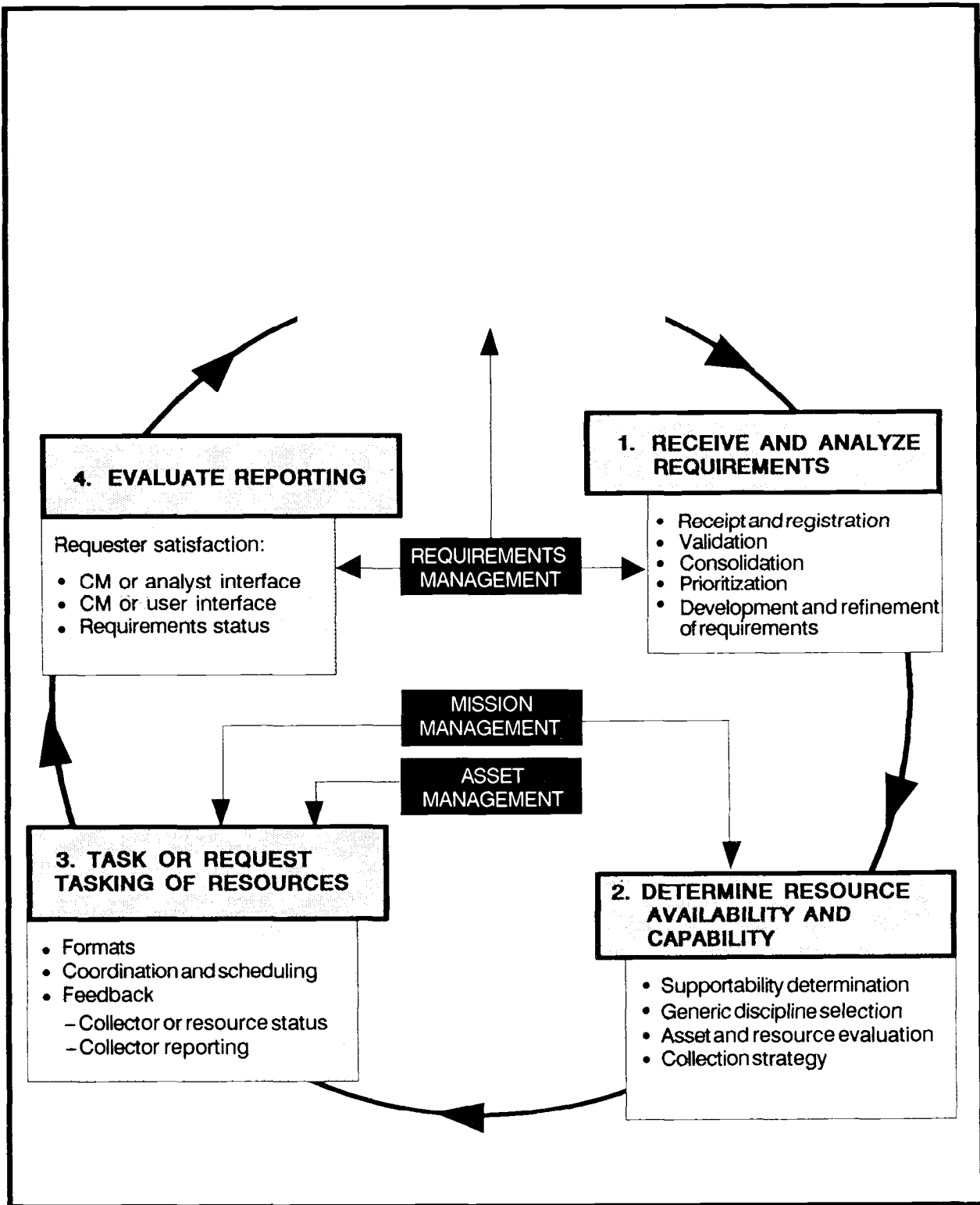


Figure 4-5. Collection management process.

- o Manages IMINT, MASINT, SIGINT, HUMINT, and TECHINT collection requirements.

SIGINT requirements are processed by the TCAEs at the EAC, corps, and division echelons. At the ACR and separate brigade echelons, the brigade or regimental S2, supported by an organic TCAE, performs CM&D functions. Each TCAE performs the SIGINT technical support, SIGINT tasking, and mission management functions. See Chapter 5 for more information on TCAE operations.

Production Section

The production section produces and reports all-source intelligence to supported commands and IEW units. The production section, as shown in Figure 4-6, consists of an all-source production team, order of battle (OB) team, CI team, and five SDTs. Each SDT represents a single intelligence collection discipline.

All-Source Production Team and Order of Battle Team. The all-source production team, together with the OB team, determines if the commander's PIR can be satisfied with its existing information and data base holdings. These two teams determine what enemy information is available to help identify specific indicators of enemy intent. Information not available defines the collection requirements that the collection manager must then

task IEW units within theater for or request from national level assets. This process develops and refines PIR and establishes other IR, as required, to identify or collect information on the indicators necessary to answer the commander's PIR.

During the analysis and production portion of the intelligence cycle, the all-source production team and OB team coordinate with and receive information from the other production section teams. This constant exchange of information ensures that all-source products are developed from intelligence products.

Counterintelligence Team. The CI team performs MDCI analysis in accordance with FM 34-60. The team identifies the enemy intelligence collection capabilities and FIS operations directed against friendly forces, missions, and installations. An FIS uses many methods to collect information against friendly forces, including HUMINT, SIGINT, and IMINT. As a result, the CI analytical capability includes a diverse mix of specialists who fuse MDCI information to identify and isolate collection operations. The CI team--

- o Develops and maintains MDCI data bases.

- o Monitors CI investigations, operations, and collection efforts.

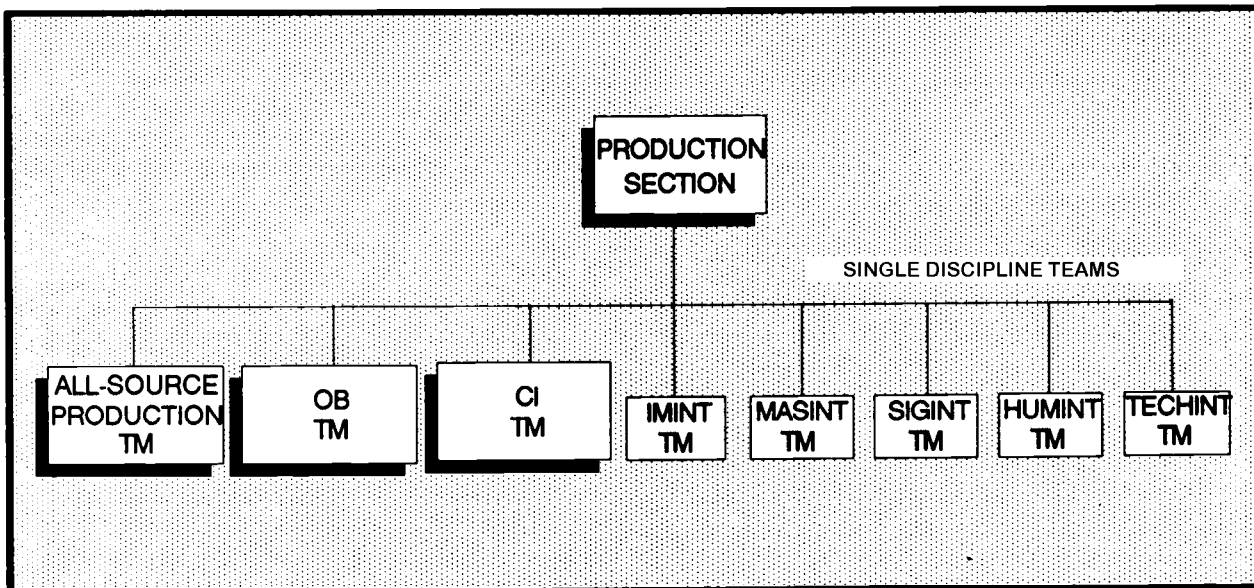


Figure 4-6. Organization of the production section.

- o Produces initial rear operations IPB products for the production section.

- o Produces MDCI analysis products, including MDCI threat assessments; MDCI estimates and summaries; threat situation overlays; MDCI graphic summaries; and black, gray, and white lists.

The CI team and other elements of the production section exchange critical information required to analyze the enemy. The team provides the CM&D section its IR based on gaps in the MDCI data base and the commander's PIR and IR.

The CI teams products are used to support specific CI functions as well as to support the targeting process, deception operations, and the command OPSEC program. The CI team provides the threat assessment which identifies enemy intelligence collection

capabilities. This process supports the OPSEC required during operational planning. PM 34-60 and FM 34-60A explain the specific TTPs for MDCI functions.

During wartime, the CI team also monitors in-theater counterespionage (CE) activities. These activities involve sophisticated and specialized techniques of CE, countersabotage, and countersubversion. FM 34-60A and AR 381-47 describe CE activities in detail.

Single Discipline Teams. The SDTs coordinate theater and national IEW requirements with both the theater MI brigade and other MI brigades with elements responsible for foreign positive intelligence collection (for example, IMINT, SIGINT, and HUMINT). In addition, the SDTs coordinate the information and intelligence requirements of

the ISEs located with other commands within the theater.

The IMINT team--

- o Coordinates tasks for the MI battalion (EAC) (IA).

- o Assists the interaction between the imagery assets of the IA battalion and the EACIC.

- o Coordinates IA requirements and activities for the MI brigade's support to the theater.

- o Maintains an imagery data base and performs third-phase (detailed) analysis of imagery, with assistance from the brigade's organic MI battalion (EAC) (IA). For additional information on IMINT, see TC 34-55.

The MASINT team manages the brigade's MASINT effort. MASINT is a highly sophisticated application of state-of-the-art technology and processing techniques to detect and identify specific enemy capabilities and intentions. The MASINT team--

- o Receives and processes collected information and forwards it to the all-source production team for all-source analysis.

- o Provides technical advice and assistance through the use of MASINT-exploited target signatures or MASINT collection devices.

- o Coordinates with elements of the CONUS support base, industrial and scientific communities, and other services to ensure that new technology is integrated into operations.

The SIGINT team--

- o Provides the primary interface between the MI brigade (EAC), the CM&D section, and the EAC TCAE.

- o Analyzes collection requirements received from the CM&D section, based on resources available and parameters of coverage.

- o Advises the CM&D section of suitability for satisfaction of collection tasks.

- o Monitors the status of tasks levied to the MI battalion (SIGINT) and makes recommendations to the EAC TCAE regarding employing resources.

- o In conjunction with the TCAE, coordinates sensor cueing to support other IEW requirements.

The HUMINT team--

- o Develops and coordinates theater interrogation operations and controlled collection requirements.

- o Performs cueing and tip-off for theater and national assets.

- o Translates tasking received from the CM&D section into specific collection tasks.

- o Provides combat situation updates to theater interrogation assets.

The TECHINT team--

- o Coordinates CM functions with the CMEC and serves as a link between the CMEC and the G2.

- o Coordinates TECHINT collection requirements and ensures they are translated into terms that the combat unit or other specific collector can understand and act on.

Intelligence Support Element

The ISE is organic to the EACIC and normally consists of three teams. Each team is referred to as an ISE when it is providing its support mission to other commands.

ISEs provide EACIC liaison with US Army, joint, combined, and Allied military organizations and their associated intelligence organizations or services. Examples of supported commands include ADA commands, Army groups, JTFs, SOF, Allied commands, or host nation governments. ISEs collocate with each supported command and assist in identifying IEW requirements, establishing priorities, and interfacing directly with the EACIC to help satisfy the command's requirements.

Communications Section

The communications section establishes the secure communications support for the EACIC with its organic equipment. It is capable of receiving and transmitting to all the brigade's subordinate units. It can also reach other theater units throughout the established theater communications system. Secure and effective communications have special applications which the theater commands and the NCA must address. Secure and survivable communications determine the workability of the C² systems in any theater of operations.

INTERNAL OPERATIONS

For the EACIC to accomplish its mission, all elements must perform their assigned tasks accurately and timely. Each section and team must work together to make the intelligence cycle operate at its best. The EACIC chief--

- o Plans and supervises all phases of the intelligence cycle.

- o Ensures that the EACIC provides adequate and continuous IEW support for all headquarters, commands, and agencies concerned.

- o Must have thorough knowledge of threats and national assets, requirements, and the theater commander's operational intent, while directing the total intelligence effort within the EACIC.

Internal operational procedures and the intelligence cycle dictate close, continuous relationships among all production section teams. Figure 4-7 shows these relationships. The CM&D section fills gaps in information by formulating tasks and levying requirements to assets deployed within the theater and by tasking national assets.

The production section consolidates single-discipline reporting from collectors. The CM effort is a continuous process that passes information to the respective SDT and constantly adjusts requirements using new PIR and IR. These PIR and IR are provided immediately to the CM&D section for consolidation and tasking to assets organic to the brigade. The CM&D section levies many of these requirements on the respective SDT for immediate analysis and recommended taskings for specific single-source collection by specific subordinate elements of the brigade.

As single-source information is collected by the battalions or companies, it is quickly forwarded through the production section to the appropriate IMINT, MASINT, SIGINT, HUMINT, or TECHINT team for review and input to the CM&D section. During the analysis process, additional requirements might surface which could redirect the CM effort.

The CI team chief maintains liaison with the CM&D section to support the production of the CI threat estimates, studies, and reports. An accurate assessment of enemy intelligence capabilities is the foundation of friendly vulnerability assessment and the development of effective countermeasures. The CI team maintains a continually updated data base to identify and assess the hostile intelligence collection threat.

ISEs serve as extensions of the EACIC and are collocated with the supported headquarters command or US or Allied intelligence service. To fulfill its mission, each ISE must keep abreast of all activities of the production section. Therefore, continuous liaison with the CM&D section must be maintained.

The ISE assists the supported organization in obtaining desired information by forwarding requirements to the EACIC CM&D section for review of the production section and MDCI data bases. Additionally, the ISE forwards collection requirements of the supported command to the CM&D section for appropriate action. The ISE team chief, assisted by the CM&D section and the production section, sanitizes reports used by the supported unit.

The ISEs provide a mechanism for joint, Allied, and combined commands to request information, such as--

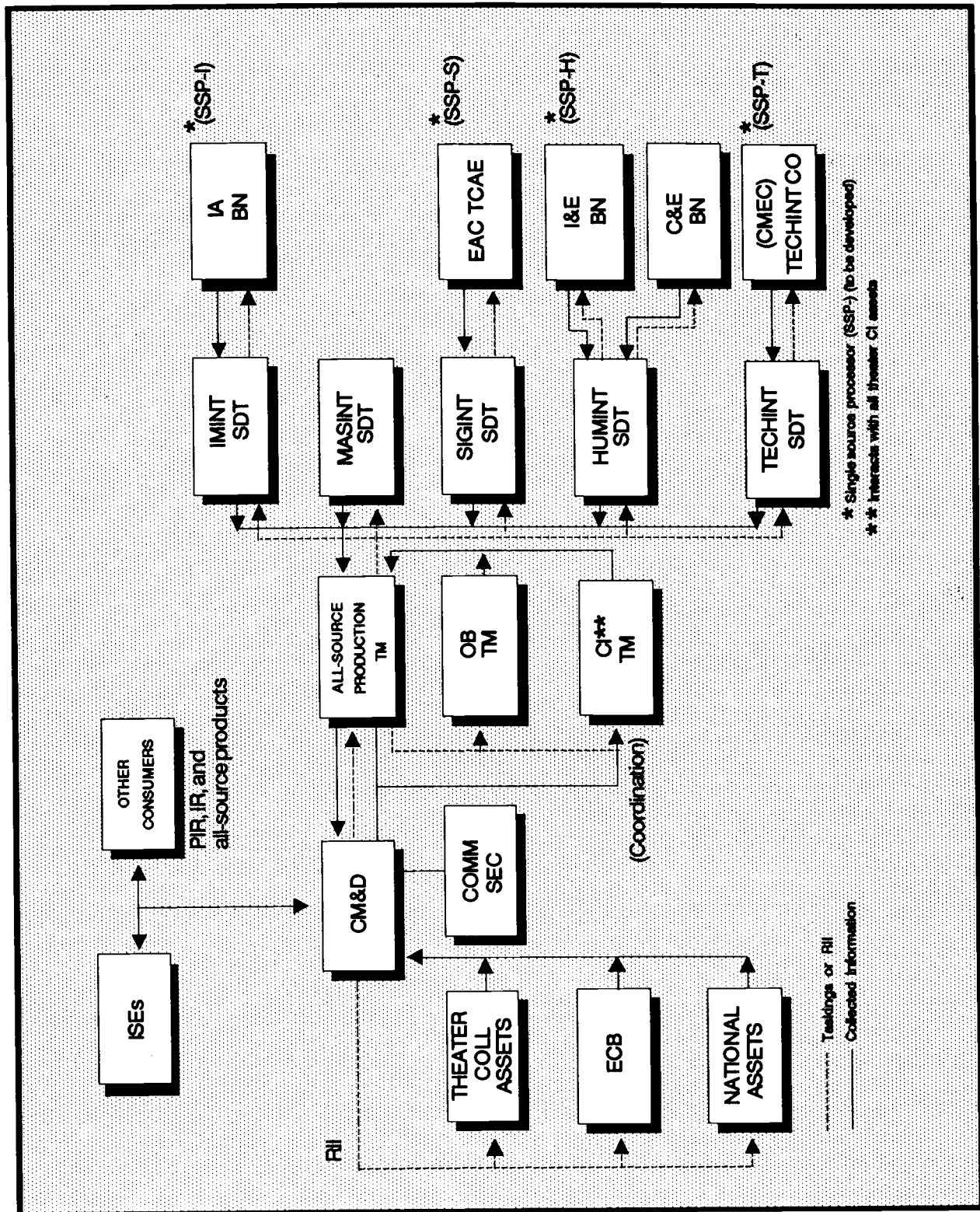


Figure 4-7. Production section relationships.

- o I&W.
- o Employment of enemy SOF.
- o Use of airborne or air mobile forces.
- o Employment of NBC weapons.

The ISEs facilitate exchanging intelligence and coordinating EW support, including jamming. ISEs also work with unit intelligence officers and assist with intelligence input to operational planning, situation and target development, and the IPB of the supported commands. Occasionally, it may be advantageous to have an ISE deploy with supported units in advance of hostilities.

Although managed by the EACIC chief, ISEs generally are located away from the EACIC and, in practice, operate independently. ISEs support the commander with whom they are collocated. Additionally, their duties require them to respond to the needs of their counterpart agencies and commands at least as often as they respond to the needs of the EACIC.

EXTERNAL OPERATIONS

To accomplish its mission, the EACIC must maintain effective interaction and interoperability with numerous external organizations. These organizations fall into four general categories:

- o National--includes those organizations, agencies, or assets controlled directly at DOD levels. Some of them will have representatives in the theater of operations.

- o Theater IEW--includes all units organic to the MI brigade (EAC) and, where appropriate, intelligence units assigned to other services and host nations.

- o Supported headquarters and commands--include Army, joint, combined, or Allied organizations.

- o ECB--includes support to tactical commands and coordinates the full use of TENCAP and NETCAP for ECB and national intelligence organizations.

These interface requirements are accomplished primarily through secure communications and the use of ISE teams. Figure 4-8 shows the external organizations that interact with the EACIC.

MILITARY INTELLIGENCE COMPANY (TECHNICAL INTELLIGENCE)

Each MI battalion (operations) has a TECHINT company as a part of its organization. However, most of the MI companies (TECHINT) are part of the RC force. There is only one active component TECHINT unit in the force structure. During a conflict, a theater's respective TECHINT company would mobilize and

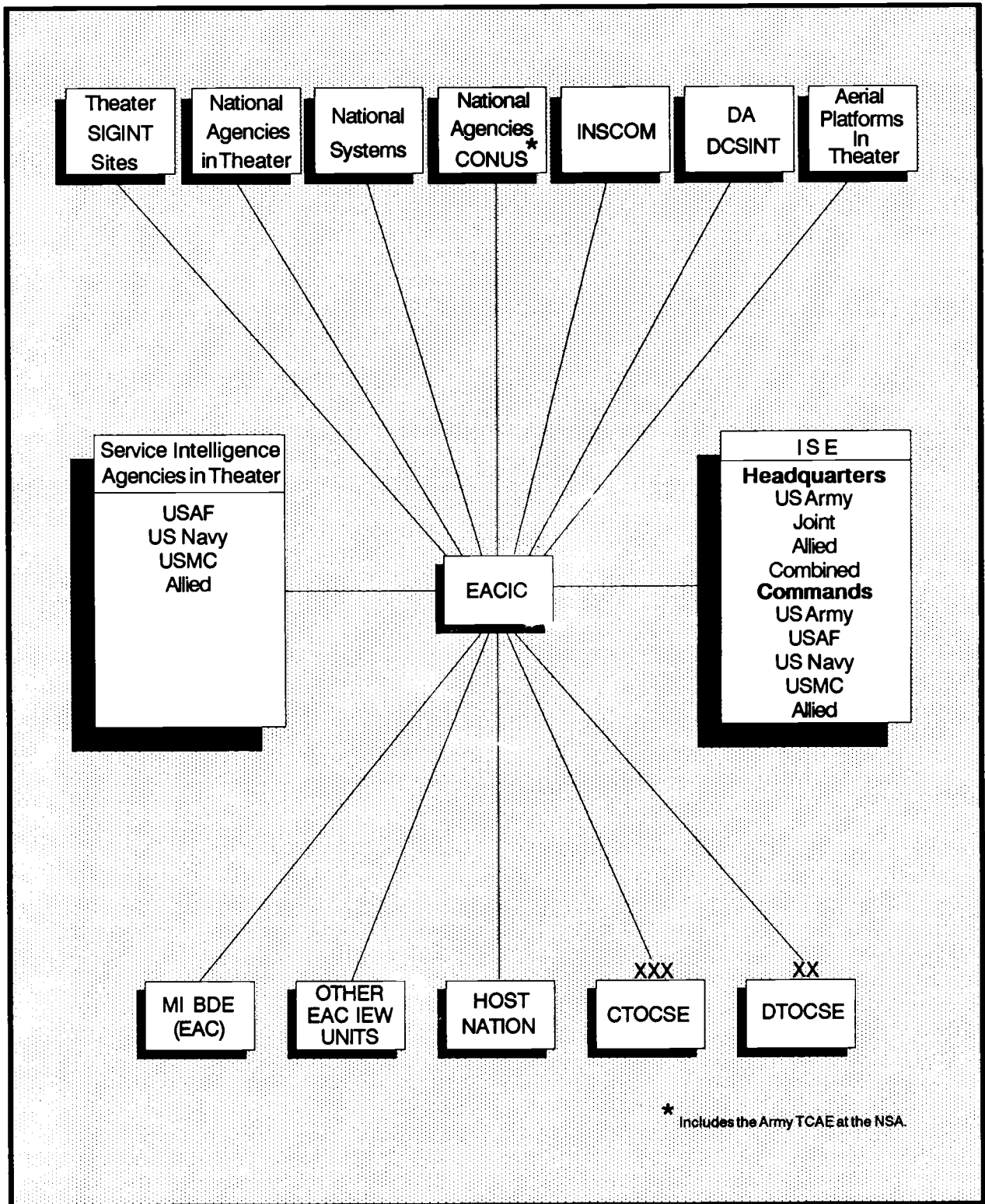


Figure 4-8. EACIC interfaces.

deploy to meet the battlefield TECHINT requirements of the theater.

The organization, mission, and functions of the TECHINT company are the same for the reserve and active force. See Chapter 8 for a complete discussion of the TECHINT company.

MILITARY INTELLIGENCE
DETACHMENT (STRATEGIC IMAGERY
ANALYSIS

The mission of the MI detachment (strategic IA) is to exploit tactical, theater, and national level imagery and to disseminate the resulting intelligence within the theater. This detachment provides--

- o Imagery-derived information and intelligence to the EACIC and other requesting and supported detachments.

- o First-, second-, and third-phase exploitation of radar, infrared, photographic, and national level imagery.

- o Interface with the EACIC, J2 and J3, and Air Force liaison staffs to satisfy Army requirements by national imagery assets and by detachment collection, processing, exploitation, and dissemination efforts.

The MI detachment (strategic IA), shown at Figure 4-9, has a headquarters, exploitation section, basic cover library, and maintenance section.

HEADQUARTERS

The detachment headquarters collocates with the MI battalion (operations) in the vicinity of the EACIC. It provides operational command, administrative support, and supply management for its organic sections. The MI detachment (strategic IA) depends on the Theater Army Communications Command (TACC) for access to the communications system.

EXPLOITATION SECTION

Exploitation section personnel perform second- and third-phase exploitation of radar, infrared, E-O, photographic, and national level imagery on a 24-hour basis. Intelligence reports are sent by either courier or electrical message to authorized theater consumers. When requested, photographic prints of the exploited imagery are sent to division, corps, and those EAC elements requiring such products for OPSEC, planning, or contingency purposes. This section also provides imagery to the basic cover library to update the imagery data base and to use it in the basic cover program.

BASIC COVER LIBRARY

The basic cover library is the main repository for tactical and national imagery produced in the theater of operations. It has an ES-82 photographic darkroom which produces photographic prints of exploited imagery. The basic

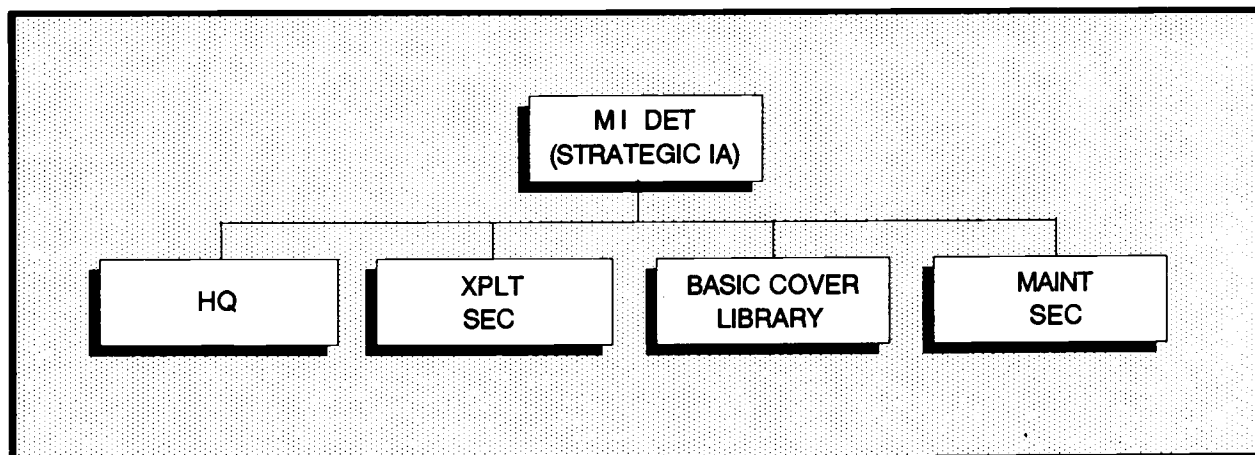


Figure 4-9. MI detachment (strategic IA) organization.

cover library deploys with an imagery data base of the AO. This data base is used to compare newly acquired imagery during contingency or combat operations. Personnel review incoming RIIs to determine if imagery in the data base satisfies the requirement. This section also maintains maps, overlays, reference materials, publications, and

files of all exploitation reports.

MAINTENANCE SECTION

The maintenance section provides personnel and equipment to perform unit level maintenance for wheeled vehicles, generators, compressors, and related equipment.

CHAPTER 5

MILITARY INTELLIGENCE BATTALION (SIGNALS INTELLIGENCE)

This chapter describes the mission and organization of the MI battalion (SIGINT) and the separate MI company (SIGINT). It discusses the role of the EAC TCAE and the SIGINT operations of the MI brigade (EAC). The mission of the MI battalion (SIGINT) of the MI brigade (EAC) is to conduct SIGINT operations in response to theater-level IEW requirements, primarily those of the theater ground component commander. Other missions include supporting ECB and national requirements with specific functions, such as--

- o Operating and maintaining the EAC TCAE.

- o Collecting, analyzing, processing, and reporting communications intelligence (COMINT).

- o Performing direction finding (DF) and advanced identification techniques.

- o Managing the tasking and positioning of organic SIGINT mission equipment.

- o Providing electronic intelligence (ELINT) processing, analyzing, and reporting.

- o Developing and maintaining SIGINT data bases for EAC and ECB SIGINT units deployed, or which may be deployed, in the theater of operations.

The MI battalion (SIGINT) is organic to the MI brigade (EAC). The battalion is organized into an HHC, two-to-five MI (SIGINT) companies, and an MI control and processing (C&P) company. Figure 5-1 shows this organization. Through the contributions of these subordinate companies, the battalion commander accomplishes the total SIGINT mission for the MI brigade (EAC).

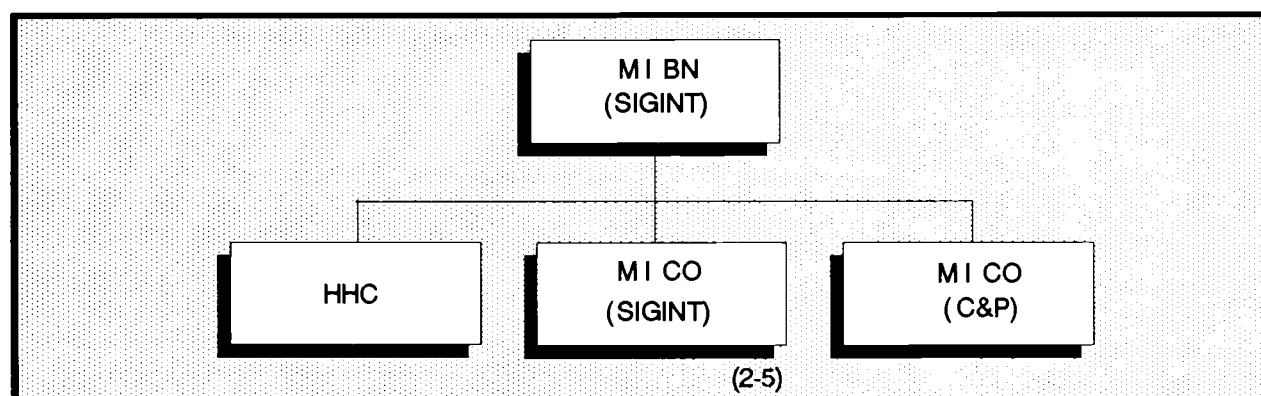


Figure 5-1. MI battalion (SIGINT) organization.

HEADQUARTERS AND HEADQUARTERS COMPANY

In general, the HHC provides C², administrative services, and logistic support to units assigned or attached to the SIGINT battalion. Each MI company (SIGINT) conducts HF COMINT and HF DF operations. The MI company (C&P) provides SIGINT mission and data base management for the battalion. It analyzes, processes, and reports SIGINT data in addition to providing intelligence support to tactical units.

The HHC includes personnel for the battalion headquarters and the headquarters company. The battalion headquarters, shown at Figure 5-2, consists of a command section with a battalion commander, XO, and battalion staff officers (S1, S2, S3, S4, and C-E).

The command section provides the C² for the battalion and supervises the operational and support activities of all of its companies. The staff sections of the battalion headquarters perform various tasks.

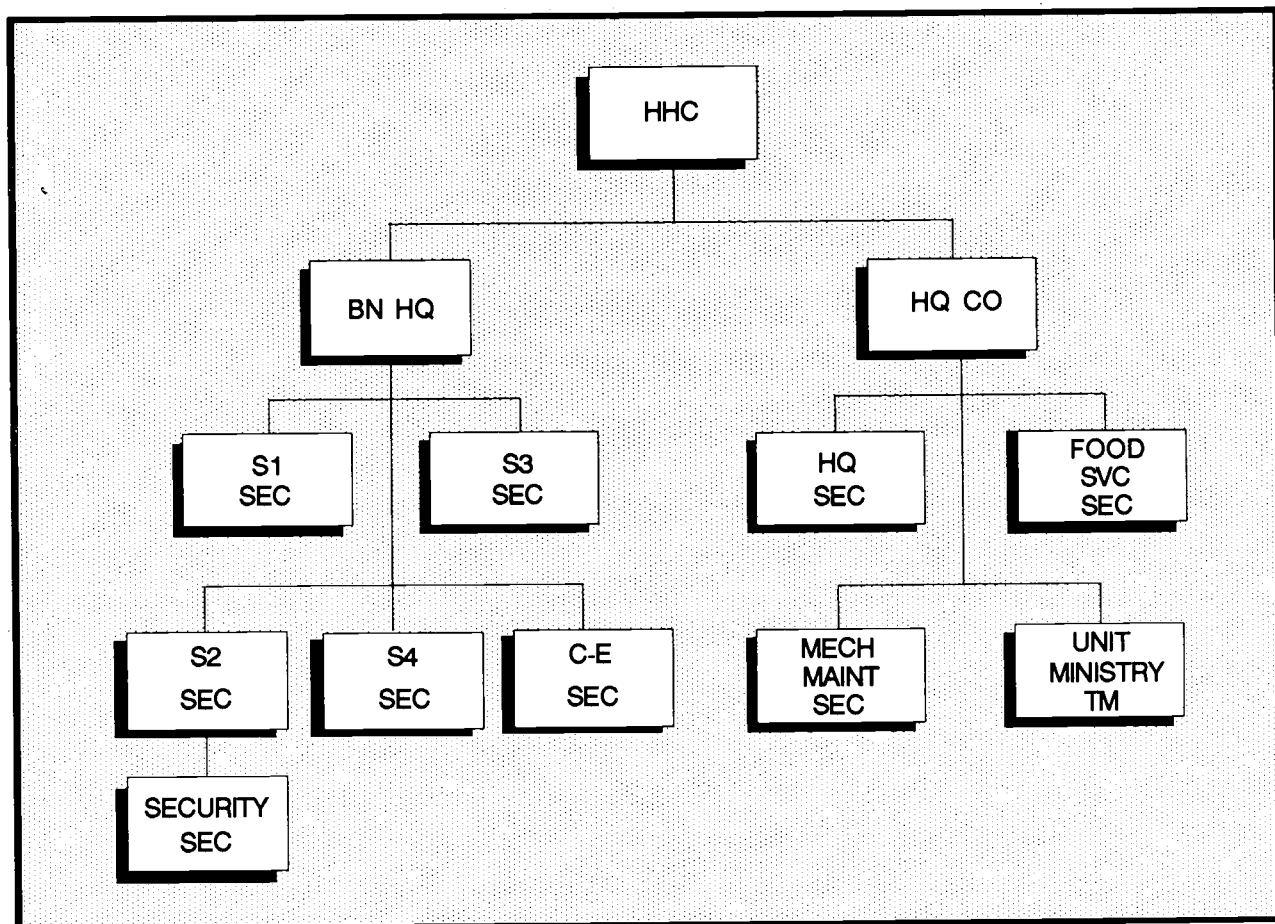


Figure 5-2. HHC MI battalion (SIGINT).

BATTALION HEADQUARTERS

The S1 section provides personnel administrative support to all battalion elements.

The S2 section develops and performs security manager functions to ensure battalion physical, information, and personnel security needs are met. Its security section controls access to the battalion's SCIF occupied by elements of the MI company (C&P).

The S3 section is the principal staff office for the commander in operations, plans, organization, and training matters. The S3 provides C² for all the battalion's SIGINT assets and issues tasking and reporting guidance for their operational employment in the battalion's AO. The S3 monitors the taskings from the EACIC to the MI company (C&P) and coordinates the employment of ECM teams.

The S4 section handles all matters of supply, maintenance, transportation, and logistic services. The S4 must maintain close coordination with the S3 for logistic support of operational employment of battalion SIGINT assets. The S4 monitors maintenance support for all battalion organic equipment and coordinates external maintenance support with the MI brigade. The S4 also monitors food service and procurement functions within the battalion.

The C-E section plans and directs all communications-

related activities of the battalion, including C² and operational communication circuits. The theater communications command handles all external communications. The C-E section--

- o Ensures the planning and application of adequate and proper ECCM throughout the battalion.

- o Provides input to battalion C-E plans.

- o Supervises and accounts for COMSEC materials and equipment.

- o Coordinates friendly frequency allocation; frequency assignment use; and the resolution of meaconing, intrusion, jamming, and interference (MIJI) problems.

HEADQUARTERS COMPANY

The headquarters company provides internal administrative and logistic support. It consists of four sections:

- o The company headquarters section provides administration, billeting, training, discipline, unit supply, food service, and battalion headquarters property accountability.

- o The mechanized maintenance section performs unit maintenance on automotive, generator, and auxiliary equipment assigned to the battalion headquarters and the MI company (C&P) of the battalion.

- o The food service section provides a dining facility for assigned and attached personnel of the HHC elements and the MI company (C&P).

- o The unit ministry team provides religious support to all personnel assigned or attached to the battalion, including area and denominational coverage and ministry to mass casualties and hospitalized members of the battalion. The team advises the commander on religious, moral, and soldier welfare issues. It also establishes liaison with unit ministry teams of higher and adjacent units.

MILITARY INTELLIGENCE COMPANY
(SIGNALS INTELLIGENCE)

The MI company (SIGINT) conducts continuous HF COMINT collection and HF DF operations. The company is usually located in the COMMZ and is deployed to cover a 600-kilometer front along an operational baseline up to 2,400 kilometers in length. Its mission includes--

- o Collecting HF voice, Morse, and non-Morse communications.

- o Processing and analyzing COMINT.

- o Forwarding COMINT to the MI company (C&P).

- o Conducting DF operations.

- o Conducting ECM operations.

Each of the two-to-five companies in the battalion consists of a headquarters section, operations platoon, DF platoon, and a collection management and analysis (CM&A) platoon. Figure 5-3 shows this organization.

HEADQUARTERS SECTION

The headquarters section is responsible for internal support operations, including billeting and unit supply.

OPERATIONS PLATOON

The operations platoon consists of a--

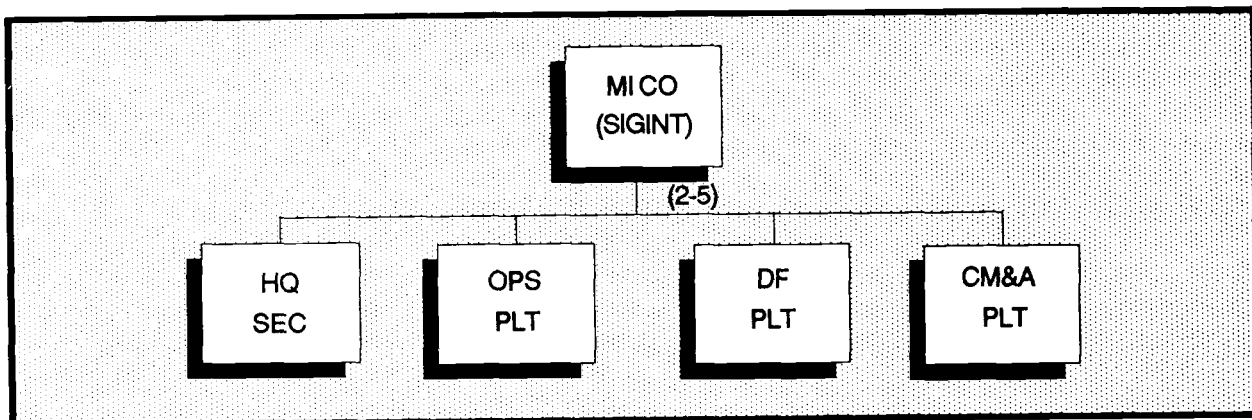


Figure 5-3. MI company (SIGINT).

- o Platoon headquarters which provides C² to the intercept teams and prepares tape and paper copy for shipment to the MI company (C&P). The operations platoon leader assists the company operations officer in supervising the mission. In addition, the platoon leader is the company's night operations officer when the company is deployed.

- o Morse and voice intercept section.

- o Non-Morse intercept section.

- o Voice intercept section.

DIRECTION FINDING PLATOON

The DF platoon consists of--

- o A platoon headquarters which provides C² and establishes the net control station.

- o Four DF teams that operate two DF and one communications position. These teams are mobile and can operate independently.

The DF teams can operate at extended distances, if required, to establish a DF baseline sufficient to locate targets at the required depth of the AO. DF operations are fully integrated into company operations and reporting functions. The DF platoon headquarters also operates the advanced identification technique equipment.

COLLECTION MANAGEMENT AND ANALYSIS PLATOON

The CM&A platoon provides--

- o Administrative support and is linked to the EAC TCAE in the MI company (C&P). It tasks organic assets; maintains asset status; provides SIGINT technical data to assets; performs current and follow-on analysis; and reports results of SIGINT operations to the EAC TCAE.

- o An analysis team that performs level one analysis (immediate combat information) on collected SIGINT data and reports significant or perishable information to the EAC TCAE in a time-sensitive basis.

- o A reports team that provides the results of SIGINT operations to the EAC TCAE.

MILITARY INTELLIGENCE COMPANY (CONTROL AND PROCESSING)

The MI company (C&P) performs SIGINT and EW technical control and analysis and management of organic assets within the MI battalion (SIGINT). It provides SIGINT technical support for organic, attached, OPCON, and lower echelon SIGINT resources deployed in the theater. This includes mission tasking, processing, analyzing, and reporting of SIGINT data and information. The company performs these functions through the TCAE, which

provides direction for the battalion's SIGINT mission and for theater tactical SIGINT assets. It interfaces with the production section in the EACIC through the single discipline team-signals intelligence (SDT-SIGINT).

The MI company (C&P), shown at Figure 5-4, has a company headquarters and an EAC TCAE. These two elements provide C² of the company, SIGINT CM, technical support, and tasking for all organic, attached, and OPCON resources. The EAC TCAE maintains the SIGINT technical data base for theater targets of interest to support the theater Army commander. In addition, the EAC TCAE maintains a direct interface with the SDT-SIGINT at the EACIC.

The MI company (C&P) generally collocates with the MI battalion (SIGINT). It--

- o Performs mission management and tasking of SIGINT assets organic,

attached, or OPCON to the MI brigade (EAC).

- o Processes and reports ELINT and COMINT information.
- o Provides analysis support for voice, Morse, and non-Morse collection.
- o Provides analysis support for processing, analyzing, and reporting ELINT data from sources not organic to the battalion.
- o Provides unit maintenance on organic signal equipment.
- o Provides the secure communications systems supporting the battalion.
- o Provides technical data to EAC and ECB SIGINT assets.

COMPANY HEADQUARTERS

Company headquarters consists of--

- o A headquarters section that provides internal administration of the unit.

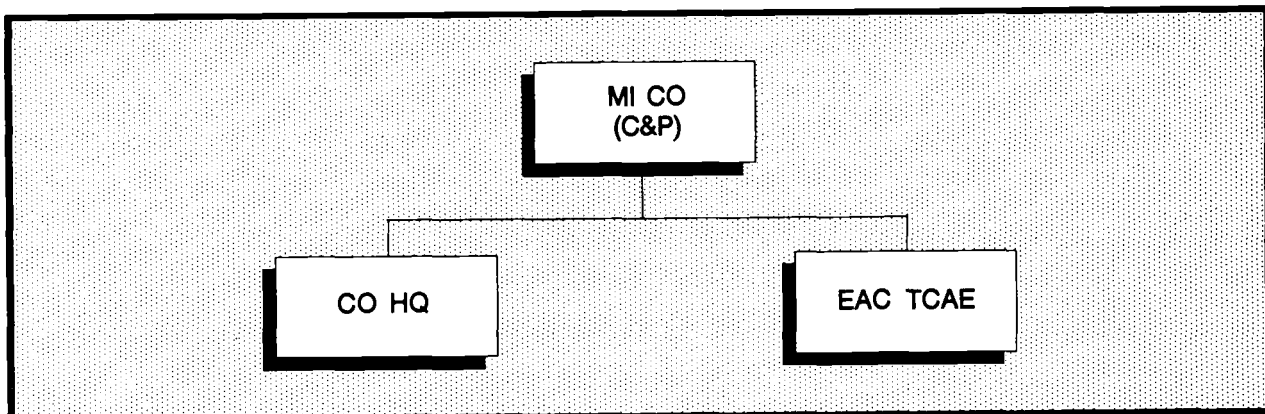


Figure 5-4. MI company (C&P).

- o A communications section that installs and operates the secure communications systems and operational communications circuits supporting both the MI company (C&P) and battalion headquarters. It performs unit maintenance of all communications and COMSEC equipment; provides COMSEC accountability for equipment and materials issued to the battalion and its subordinate units; and provides DS maintenance on company communications equipment.

ECHELONS ABOVE
CORPS TCAE

The EAC TCAE, shown at Figure 5-5, is organized into a headquarters section, Morse and non-Morse analysis sections, voice and ELINT analysis sections, CM section, and reports and document section. The TCAE--

- o Receives collection tasking from the EACIC SDT-SIGINT through the CM section.

- o Receives and forwards SIGINT-related CEDs to the EACIC.

- o Translates tasking received into SIGINT acquisition tasks.

- o Assigns specific SIGINT acquisition tasks to specific collection assets.

- o Monitors satisfaction of SIGINT tasks in terms of timeliness and quality.

- o Provides asset status and limitations to the EACIC CM&D through the SDT-SIGINT.

- o Performs electronic preparation of the battlefield (EPB).

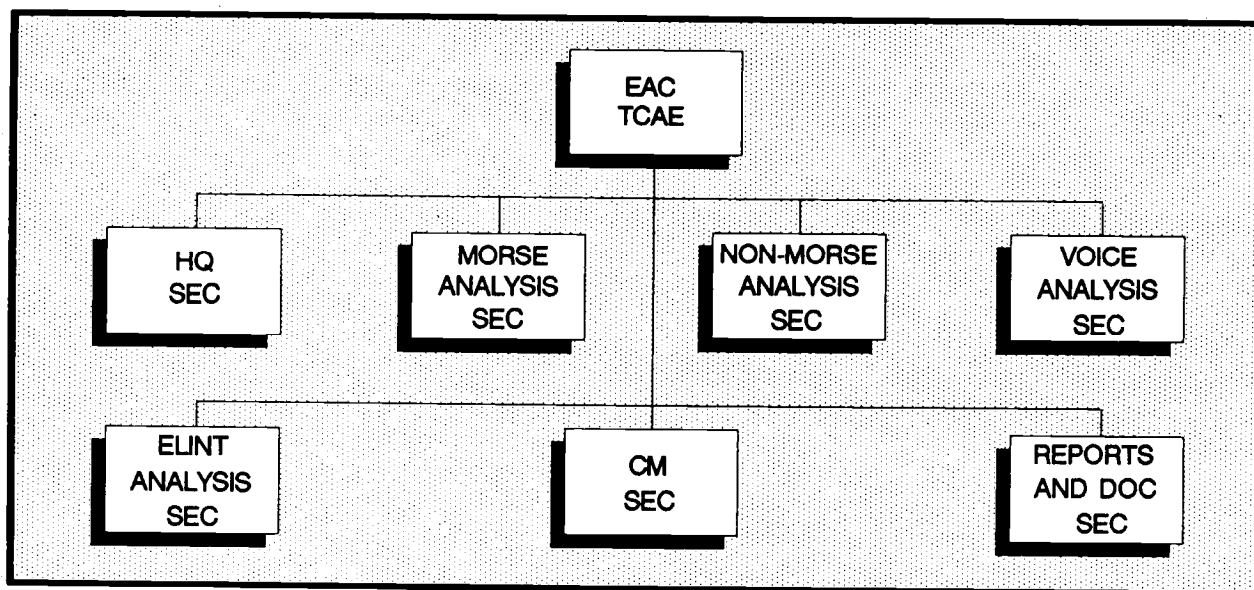


Figure 5-5. EAC TCAE.

- o Maintains the theater ground component SIGINT POC for lateral theater EAC TCAEs and for the Army TCAE (discussed in the appendix).

- o Serves as the theater ground SIGINT POC for "in-theater" national SIGINT support organizations.

The EAC TCAE is the highest echelon in the Army's SIGINT technical control architecture within a theater of operation. The EAC TCAE is the single POC between the Army's ECB SIGINT units and the "in-theater" national SIGINT support base (if present).

As such, the EAC TCAE coordinates directly with the national SIGINT data base or regional SIGINT support center (RSSC) in the theater. In some instances, where an RSSC is not present, a theater support node (TSN) may be deployed to establish a communications link with the national SIGINT data base. The TSN and RSSC organizations are subordinate to the National Security Agency (NSA); they represent forward deployed technical support organizations to support all military services within a theater of operations. General functions of these organizations include--

- o Providing technical support and technical data base support to all services within the theater.

- o Providing information from national assets and assets not organic to the services in the theater (for example, Allied SIGINT assets).

- o Providing national analytic support to the services in the theater.

- o Assisting the services, when required, in maintaining their technical data base in the theater.

- o Providing technical support and technical data base support for counter WARM operations.

MILITARY INTELLIGENCE COMPANY
(SIGNALS INTELLIGENCE)
(SEPARATE-ECHELONS ABOVE CORPS)

In those instances where an MI battalion is not required, an MI company (SIGINT) separate-echelons above corps (SEP-EAC) may be assigned to an MI brigade. This company is under the command of the MI brigade (EAC) and interacts operationally with the EACIC. Although the SIGINT mission is the same, the strength and organizational structure of this company is slightly different from the MI company (SIGINT) of the SIGINT battalion. Figure 5-6 shows the organization of MI company (SIGINT) (SEP-EAC).

The company headquarters serves the same functions and provides the same support as that of the MI company (SIGINT). The structure of its operations platoon, DF platoon, and CM&A platoon is identical. However, since this is a separate company with independent operations, it has its own organic TCAE. If assigned to a theater MI brigade (EAC), this TCAE becomes the EAC TCAE.

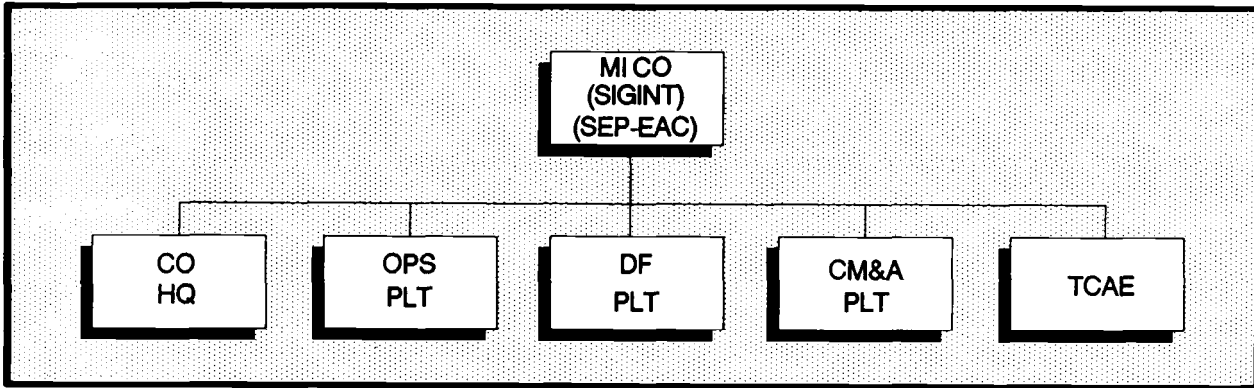


Figure 5-6. MI company (SIGINT) (SEP-EAC).

The TCAE within an MI company (SIGINT) (SEP-EAC) has the same structure and functions as that within the MI company (C&P) of the MI battalion (SIGINT) described previously. It performs all the processing, analyzing reporting, mission management, and technical support functions required to support organic, attached, or OPCON resources. It interfaces with the EACIC through the SDT-SIGINT of the production section.

OPERATIONS

The operations of the MI battalion (SIGINT) are conducted continuously to support peacetime requirements. In wartime, operations are conducted similarly, with differences in types of targets, timeliness, intensity of operations, and the degree of integration with non-Army and non-US agencies. SIGINT and EW operations are tailored regionally and functionally to fit specific geographic areas and to meet mission tasking. This structuring provides the

appropriate mix of language skills, area expertise, and proper data bases and equipment to accomplish the mission for a given theater.

In the Army intelligence structural design for EAC, the operations of the MI battalion (SIGINT) are complex. The SIGINT battalion-commander conducts extremely sensitive intelligence operations. EAC SIGINT operations provide both strategic and tactical intelligence information. Consumers range from the highest echelons of government to tactical maneuver forces in the field. To work effectively, the SIGINT battalion EAC must cooperate and exchange information with its sister military services and Allied EAC SIGINT organizations.

INTERNAL OPERATING PROCEDURES

The SIGINT battalion functions range from receiving a tasking to reporting on a SIGINT requirement. The collection of SIGINT information begins with receipt

of a requirement. This requirement may come from any source and may result from--

- o Intelligence requirements of the theater and Allied commands.

- o PIR and IR of ECB tactical commanders.

- o Strategic intelligence requirements of national level agencies.

Having determined the exact collection acquisition tasks, the CM section passes them on to the TCAE for transmission. The TCAE then passes the collection requirements to the CM&A platoon of the SIGINT company for passage to the specific SIGINT collection asset. The TCAE may directly task attached or OPCON SIGINT assets if they have no CM element.

SIGINT requirements levied on the MI brigade (EAC) are analyzed and processed by the EACIC. Within the EACIC, the requirements are forwarded from the CM&D section to the production section, where personnel in the SDT-SIGINT element coordinate to satisfy the requirements. If not, the requirement is tasked down to the EAC TCAE for collection by SIGINT assets of the MI battalion. The SDT-SIGINT provides feedback to the CM&D

section regarding all aspects of requirement satisfaction.

All tasking requirements from the SDT-SIGINT are received by the CM section of the TCAE (EAC). Figure 5-7 shows the SIGINT tasking and reporting flow through the EAC TCAE of the C&P company. Once processed by the CM section, taskings may be sent to organic SIGINT collection assets, attached assets, or to other SIGINT assets throughout the theater. At the same time, the battalion S3 section monitors the tasking and reporting from the TCAE and the EACIC. Thus, the battalion can oversee the battalion's overall SIGINT mission.

The CM section performs the mission control function for all the battalion's SIGINT assets and other SIGINT resources within the theater.

Figure 5-8 shows the tasking and reporting flow within the SIGINT company. Figure 5-9 shows the tasking and reporting flow from the EACIC to the MI battalion (SIGINT). (The relationship of both companies is shown.) Organic, attached, or OPCON SIGINT resources provide collection information and data back through the TCAE channels. The CM section ensures there is no duplication of effort among collection assets.

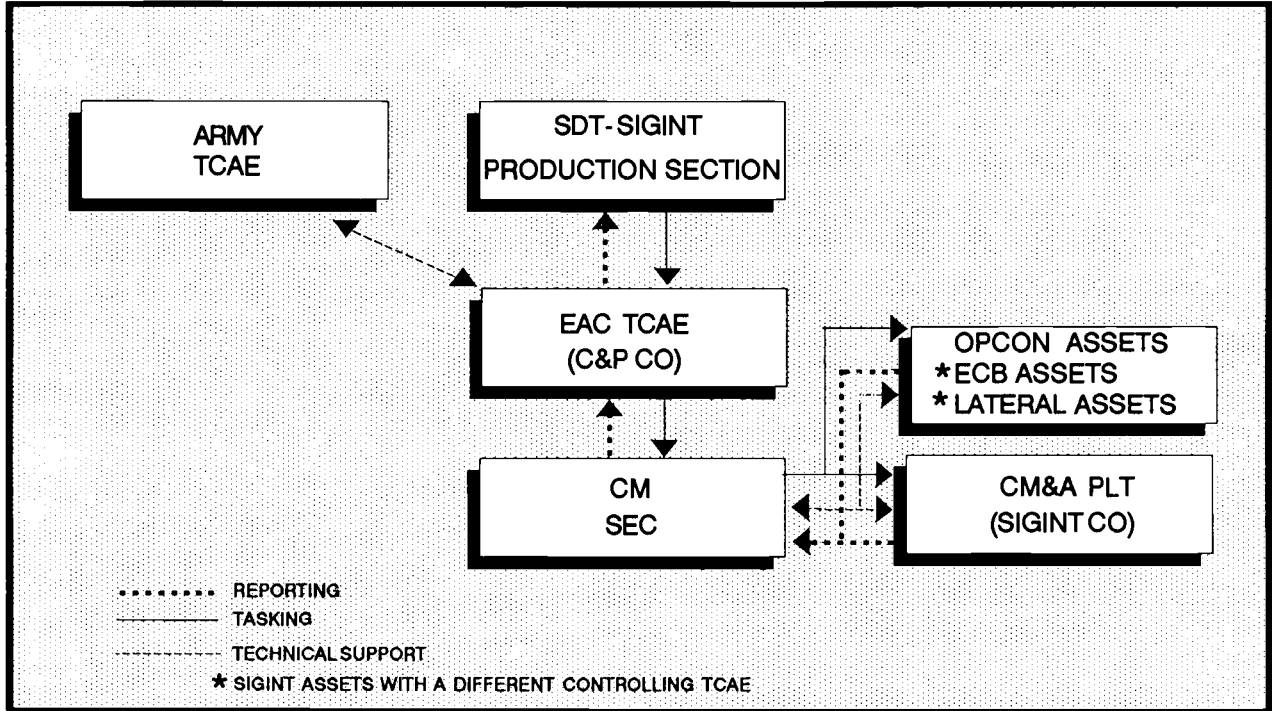


Figure 5-7. SIGINT tasking and reporting flow through the C&P company.

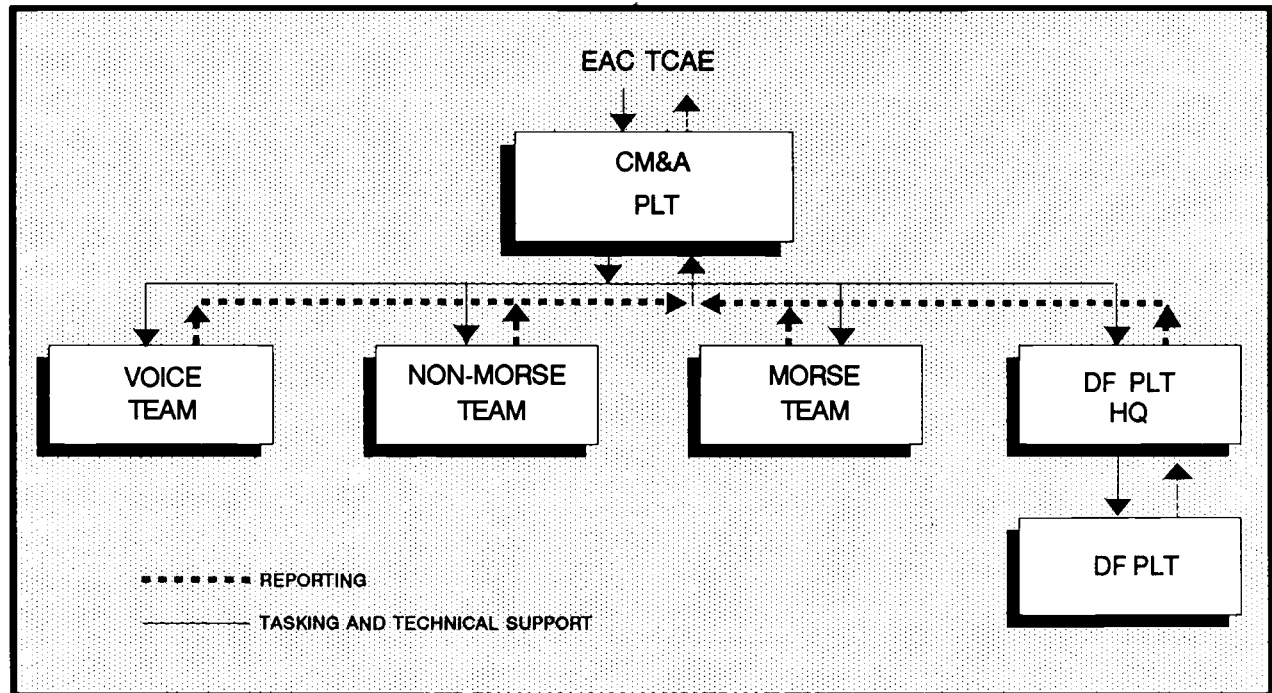


Figure 5-8. SIGINT tasking and reporting flow within SIGINT company.

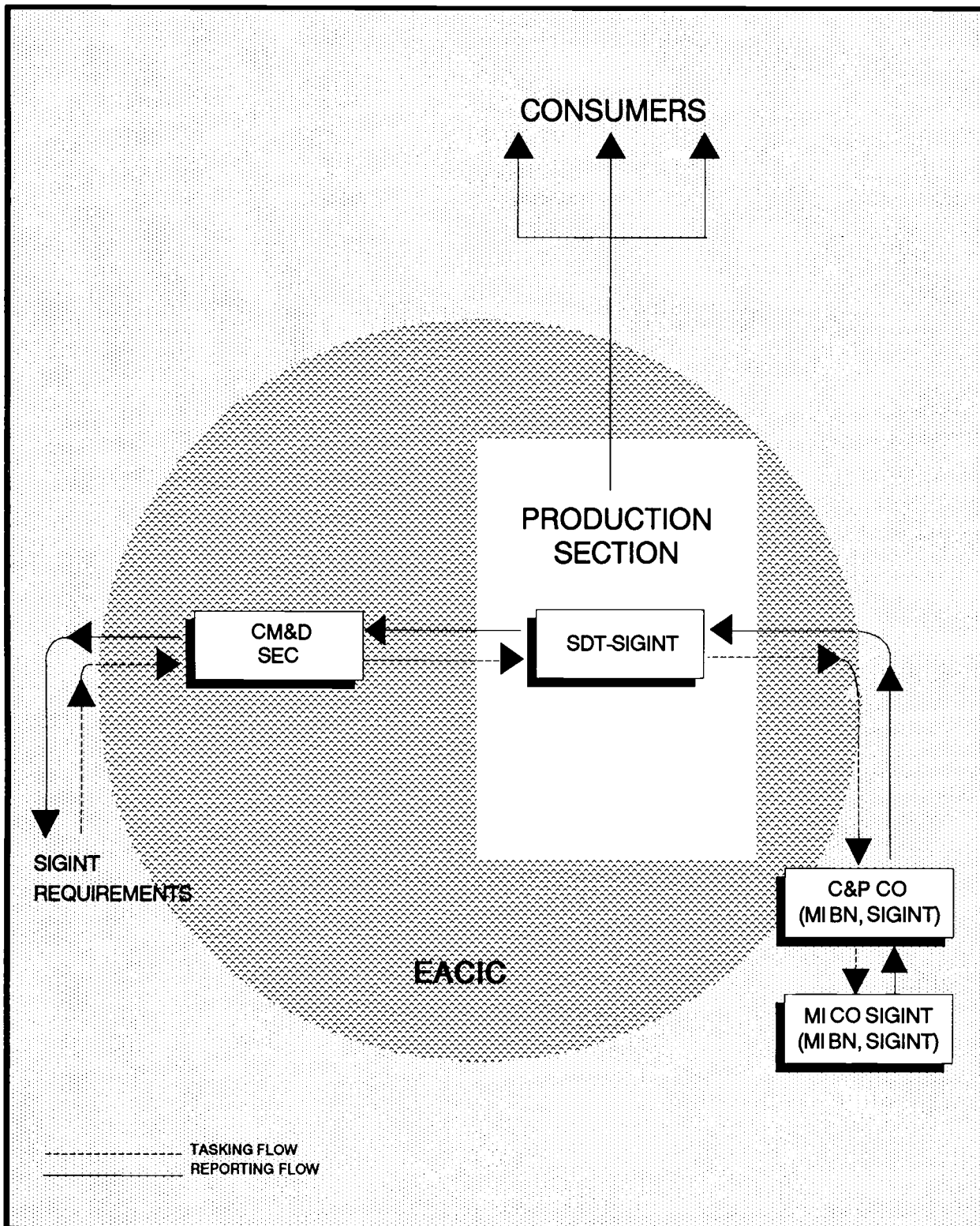


Figure 5-9. SIGINT tasking and reporting flow from EACIC to MI battalion (SIGINT).

CHAPTER 6

MILITARY INTELLIGENCE BATTALION (COLLECTION AND EXPLOITATION)

This chapter describes the mission and organization of the MI battalion (collection and exploitation) (C&E). It discusses how the battalion operates with the EACIC and other agencies, forces, and commands within the theater.

The mission of the MI battalion (C&E) is to provide interrogation and CI support for EAC if separate CI and interrogation battalions are not authorized. It also coordinates closely with the TECHINT element in the exploitation of foreign materiel of intelligence interest, including items of a scientific and technical intelligence (S&TI) nature, acquired within the theater of operations. This mission includes--

- o Providing CI support, including analysis of the multidiscipline threat.

- o Establishing a joint or combined interrogation facility and conducting interrogations of EPWs, high level political and military personnel, civilian internees, refugees, displaced persons, and other non-US personnel.

- o Translating and exploiting documents acquired, found, or captured in the theater AO to produce written intelligence.

- o Debriefing US and Allied personnel who have escaped

after being captured or who have evaded capture.

- o Collecting intelligence information through LLSOs by recruiting, training, briefing, and debriefing HUMINT assets in support of US Army tactical and operational requirements.

- o Supporting other intelligence agencies and disciplines operating within the theater of operations.

- o Conducting target exploitation (TAREX) collection activities within the theater of operations (when augmented) .

- o Providing MDCI support to units located in or transiting the theater Army AO.

- o Providing specialized technical support services, such as technical surveillance countermeasures (TSCM), polygraph, and automatic data processing (ADP) security.

- o Providing intelligence derived from CI, interrogation, and LLSO support to rear operations and counterterrorism.

The MI battalion (C&E), shown at Figure 6-1, is organized into an HHC, MI company (CI), and the MI company (interrogation).

The HHC provides C², administrative services, and logistic support for units of the battalion. It also

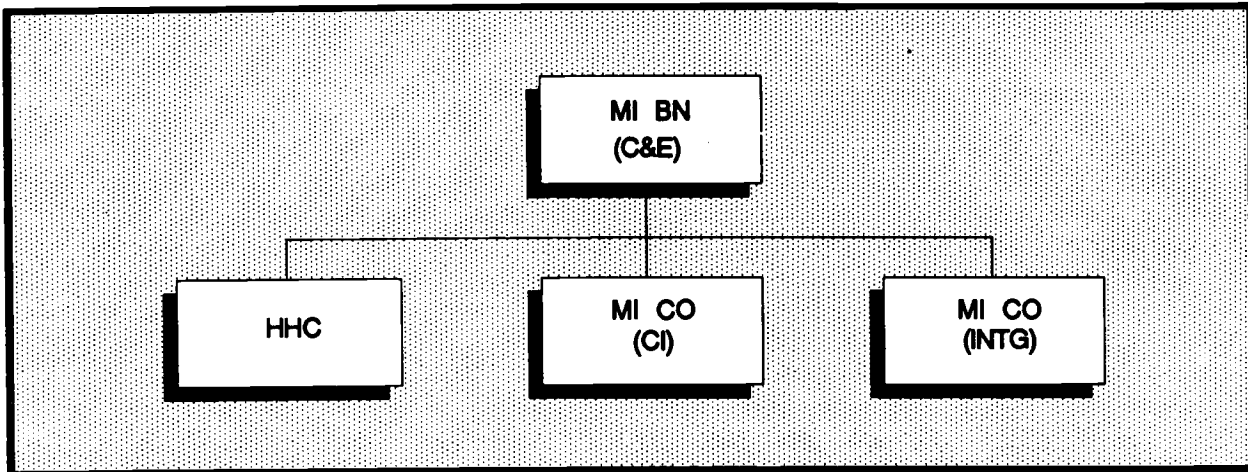


Figure 6-1. MI battalion (C&E).

provides operational coordination between the two MI companies and the EACIC. The MI company (CI) provides CI support within the theater of operations. The MI company (interrogation) (EPW) interrogates and debriefs EPWs and other persons of intelligence interest. It also translates and exploits selected documents.

HEADQUARTERS AND HEADQUARTERS COMPANY

The HHC, shown at Figure 6-2, includes personnel for both the battalion headquarters and the headquarters company. In addition to the battalion commander, XO, and CSM, the battalion headquarters consists of S1, S2, S3, S4, C-E staff sections, and a chaplain.

The responsibilities of these staff sections are similar to those described for the MI brigade (EAC) and other MI battalions. (See Chapters 3 and 5.) The HHC provides C, supervision, unit administration, and logistical

support for the battalion.

In addition to its normal staff functions, the S3 section provides CI and technical support with a CI analysis team, polygraph team, and TSCM team. The S3 section distributes CI reports and information on battalion operations to the EACIC and supported commands.

The CI analysis team provides the focus for the conduct of MDCI analysis within the battalion. Reports and important CI information resulting from the analytical effort at the MI battalion (C&E) are forwarded to and support theater MDCI analysis conducted by the CI element in the EACIC. The CI analysis team in the battalion receives its information primarily from the battalion's CI company.

Polygraph teams provide polygraph support within the theater AO. A polygraph is used as an aid for intelligence investigations. Polygraph support includes--

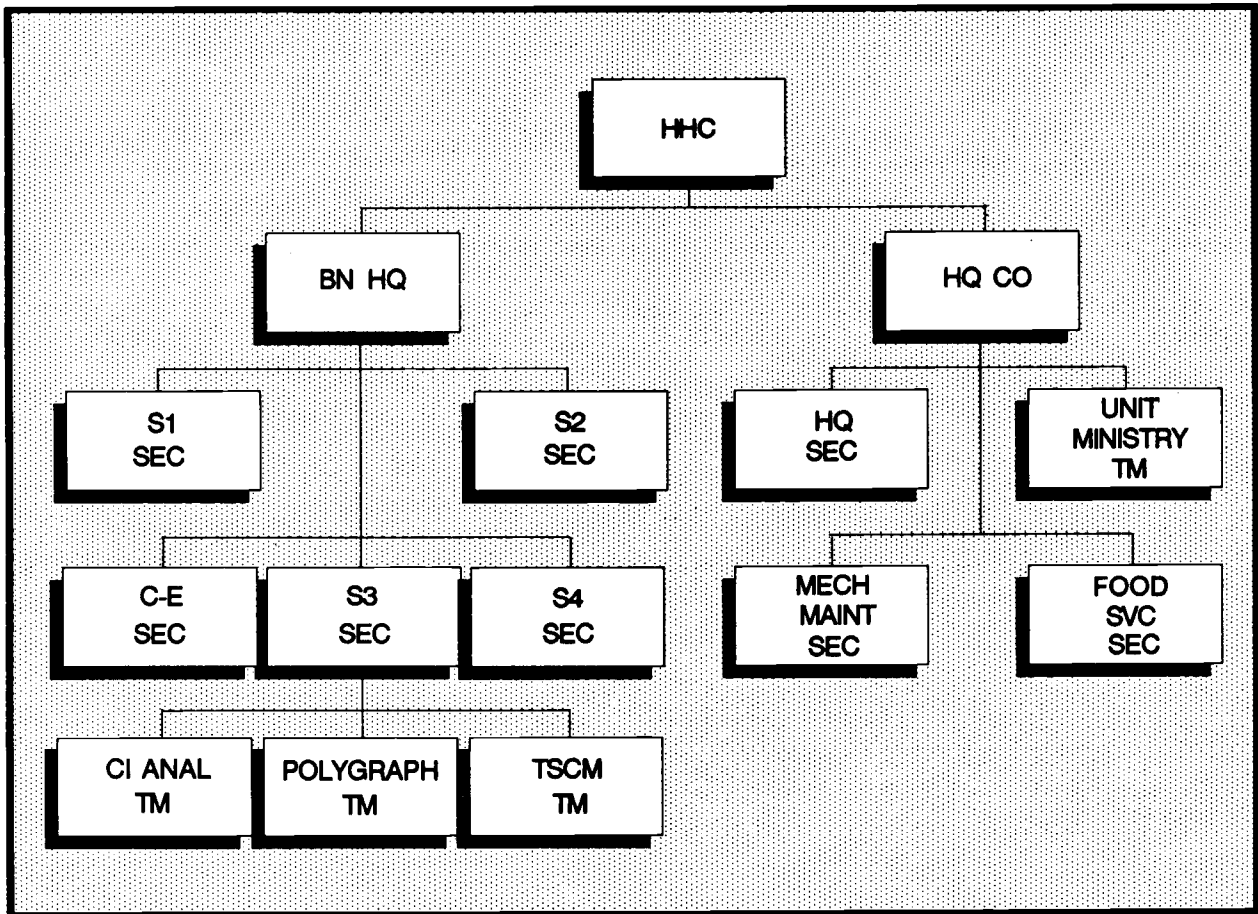


Figure 6-2. HHC, MI battalion (C&E).

- o Responding to requests for polygraph assistance.
- o Scheduling examinations.
- o Reviewing case files.
- o Conducting examinations.
- o Preparing reports used in determining the accuracy of information gathered.

The TSCM team provides technical service support for the theater and those units or organizations transiting the theater AO en route for commitment to a corps. Assisted by the S3 section, the team maintains a master

schedule of inspections, supervises the operations of the various technical support services, and directs the preparation of resulting reports.

The TSCM team conducts inspections to detect hostile technical surveillance and potentially exploitable technical security hazards in areas where sensitive information is processed or discussed. This team is composed of CI agents who have received special training in operating technical and sensitive detection equipment. Team members also provide

advice and assistance to units with sensitive facilities to maintain required security standards.

MILITARY INTELLIGENCE COMPANY
(COUNTERINTELLIGENCE)

The MI company (CI), shown at Figure 6-3, consists of a company headquarters section, operations element, special operations element, CI element, and a counter-SIGINT (C-SIGINT) element. It--

- o Provides MDCI support (C-SIGINT and counter-human intelligence [C-HUMINT]) to the EACIC and commands within the COMMZ.

- o Performs liaison with US, joint, and combined commands and Allied and host nation CI counterparts.

- o Conducts CI investigations.

- o Conducts C-SIGINT operations to support theater

OPSEC considerations and deception operations.

- o Reinforces ECB CI activities.

- o Conducts wartime offensive CI operations within the theater AO.

HEADQUARTERS SECTION

The company commander, with the assistance of the headquarters staff, commands and controls all elements organic to the company and other CI elements which may be attached to the MI battalion (C&E).

OPERATIONS SECTION

The operations section tasks and receives reports from the subordinate elements of the company. This section maintains liaison and communications with the battalion S3 section to ensure the effective flow of tasking and reporting with the EACIC.

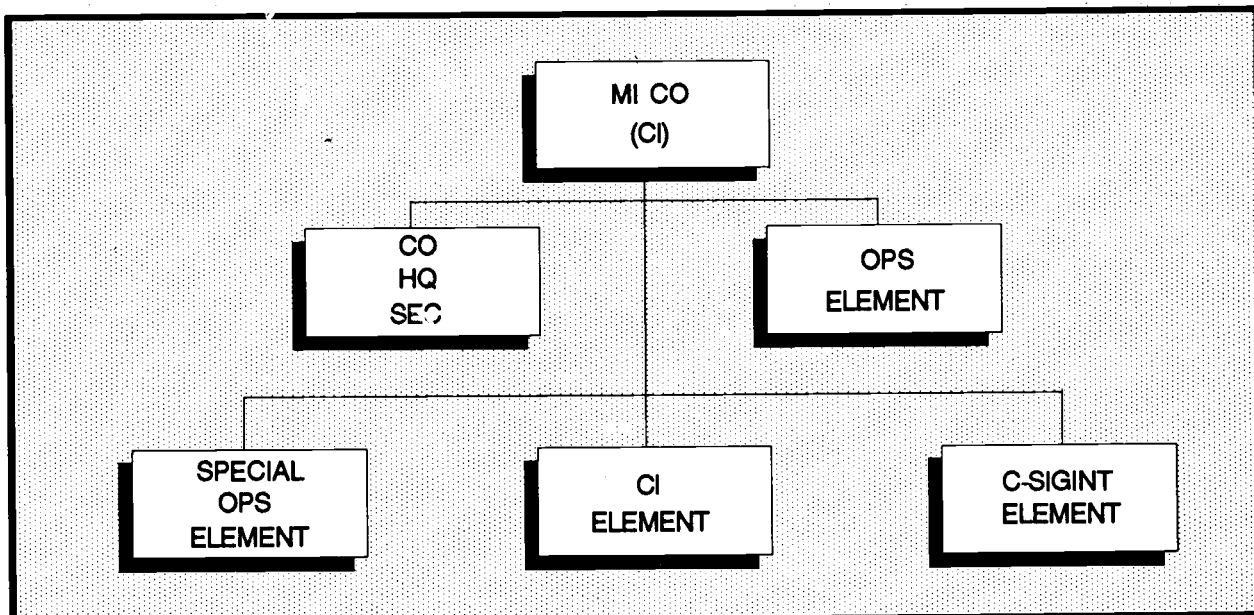


Figure 6-3. MI company (CI).

As the focal point of company activities, the chief of the operations section receives guidance and direction from the company commander and battalion S3 and briefs other elements of the command.

SPECIAL OPERATIONS ELEMENT

The special operations element consists of a headquarters and three special operations teams.

The special operations teams conduct CE, countersubversion, and countersabotage operations and investigations (see FM 34-60A). These teams also conduct LLSOs. CI jurisdiction includes--

- o Known or suspected acts of espionage.

- o CI aspects of known or suspected foreign-directed sabotage.

- o Limited investigations regarding contact with elements of threat governments.

- o Subversive activity by Army personnel.

- o Known or suspected acts of treason or sedition by Army personnel.

- o CI aspects of terrorism and assassination.

- o Army defections, absences without leave (AWOLs), detentions, and unexplained absences of Army personnel.

- o Impersonations of MI personnel. (Specific investigations and legal responsibilities are in AR 381-10 and AR 381-20.)

These teams develop and maintain a data base on individuals with possible hostile intent within the theater AO. This is accomplished through liaison with military, civilian, and private agencies and representatives of national agencies located in the geographical region. They also conduct specialized collection operations against FISs, as directed by the MI brigade (EAC) commander. During wartime these teams conduct CE activities within the theater AO, as specified and authorized by the theater commander.

COUNTERINTELLIGENCE ELEMENT

The CI element has a headquarters and up to six CI investigation teams. They conduct CI investigations, collection, and operations in support of the CI mission, as defined in FM 34-60 and FM 34-60A.

The CI investigation teams provide specialized CI support to ECB requested by the Corps G2. These requirements are determined by mission, enemy, terrain, troops, and time available (METT-T). They also provide specialized support to the JIF.

COUNTER-SIGINT ELEMENT

The C-SIGINT function is a subset of CI. The C-SIGINT analytical effort is accomplished through the four-step C-SIGINT process:

- o Threat assessment.
- o Vulnerability assessment.
- o Development of countermeasures options.
- o Countermeasures evaluation.

Threat Assessment

The three C-SIGINT teams in this element maintain the data base of friendly unit deployment and C-E equipment, as well as unit deployment and SIGINT and radio electronic combat (REC) assets for the entire theater force. Using that information, and working within the 4-step C-SIGINT process, team members identify and verify specific threat entities and the friendly system, unit, or critical node vulnerable to the identified threat. The C-SIGINT process supports both the theater commander's OPSEC program and the planning for electronic deception operations. (See FM 90-2A for details.)

Vulnerability Assessment

Critical nodes verified as vulnerable should be targeted to determine the nature and amount of usable information and intelligence being obtained by threat forces through active

collection. Besides keeping the commander up to date on what may have been compromised, the analytical product will be valuable in formulating countermeasures.

Development of Countermeasures Operations

At this point, the team will generate and recommend countermeasures designed to eliminate or minimize the vulnerability, exploit the vulnerability, and eliminate the threat. The team also evaluates the effectiveness of implemented countermeasures during the planning, execution, and post-execution phases.

Countermeasures Evaluation

The collection effort must be initiated or reinitiated at this step. All implemented countermeasures must be evaluated. If friendly C-E emissions are collected during vulnerability assessment, the results of collection serve two purposes: they verify if countermeasures were implemented and they help determine whether the countermeasures achieved the desired effect.

MILITARY INTELLIGENCE COMPANY (INTERROGATION)

The MI company (interrogation), shown at Figure 6-4, consists of a company headquarters, operations section, communications section, and interrogation and exploitation (I&E) platoon.

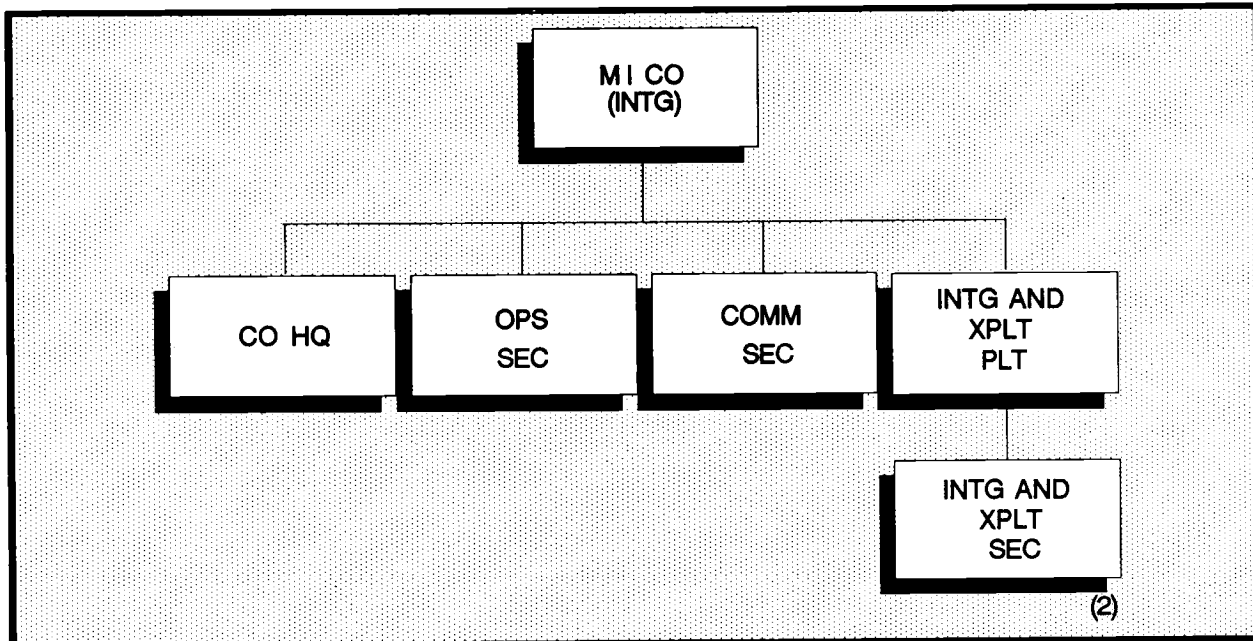


Figure 6-4. MI company (interrogation).

The mission of the MI company (interrogation) is to conduct interrogations of EPWs and other personnel of intelligence interest and to exploit CEDs in Army, joint, or combined interrogation centers.

COMPANY HEADQUARTERS

The company headquarters consists of the commander, XO, first sergeant (1SG), operations staff section, and unit supply section.

OPERATIONS SECTION

The operations section, supervised by the XO--

- o Receives PIR, other requirements, and combat situation updates from the EACIC.
- o Forwards taskings to the I&E platoon.

- o Keeps interrogators updated on the combat situation.

- o Forwards interrogation and other intelligence reports from the I&E platoon to EACIC.

COMMUNICATIONS SECTION

The communications section provides communication between the supported interrogation facility, the MI battalion (C&E), the EACIC, and interrogation "GO" teams. These teams are discussed in FM 34-52.

INTERROGATION AND EXPLOITATION PLATOON

The I&E platoon consists of a headquarters and is task organized based on the theater of operations and the situation. This platoon forms the basis of the Army, joint,

or combined interrogation facility and is generally collocated with the theater Army EPW internment facilities. GO teams from this platoon may be forward deployed to support ECB EPW facilities. This platoon conducts interrogations of EPWs and other persons of intelligence interest and exploits CEDs.

OPERATIONS

Within the MI battalion (C&E), the commander is responsible for the sensitive activities of CI, the detailed requirements of interrogations and document exploitation, and TAREX when augmented.

Publications listed in the references section, particularly TC 34-5 and FMs 34-1, 34-2, 34-3, 34-52, 34-54, 34-60, and 34-60A, establish overall doctrine. They describe general procedures and how to use and disseminate C&E products at all levels of command. To supplement the guidance in these publications, operations for the MI battalion (C&E) are discussed in two categories:

- o Internal operational procedures.
- o Interaction and interoperability procedures.

INTERNAL OPERATIONAL PROCEDURES

In addition to the S3 section at battalion headquarters, each company contains an organic operations section which supervises

mission-related activities. The operations section in each company and battalion coordinates and supervises mission performance. The operations section receives requirements from the next higher headquarters and, according to guidance provided by the commanders concerned, submits reports and serves as POC for the coordination of all activities.

INTERACTION AND INTEROPERABILITY PROCEDURES

To accomplish its mission, the MI battalion (C&E) must interact with external organizations. Figure 6-5 shows the two general categories of organizations and activities that interface.

The battalion's primary POCs within the EACIC are the CI and HUMINT teams in the production section.

The comprehensive CI and interrogation missions of the battalion require coordination by each operational company with its counterparts in other US services, and with national and Allied activities in theater or local civil authorities. This is especially useful when total CI assets are coordinated toward common objectives, conserving time and effort. This type of interaction assists interrogators who exploit personnel and documents of interest to other agencies. It also contributes to the proper control, tasking, and use of human assets available within the theater of operations.

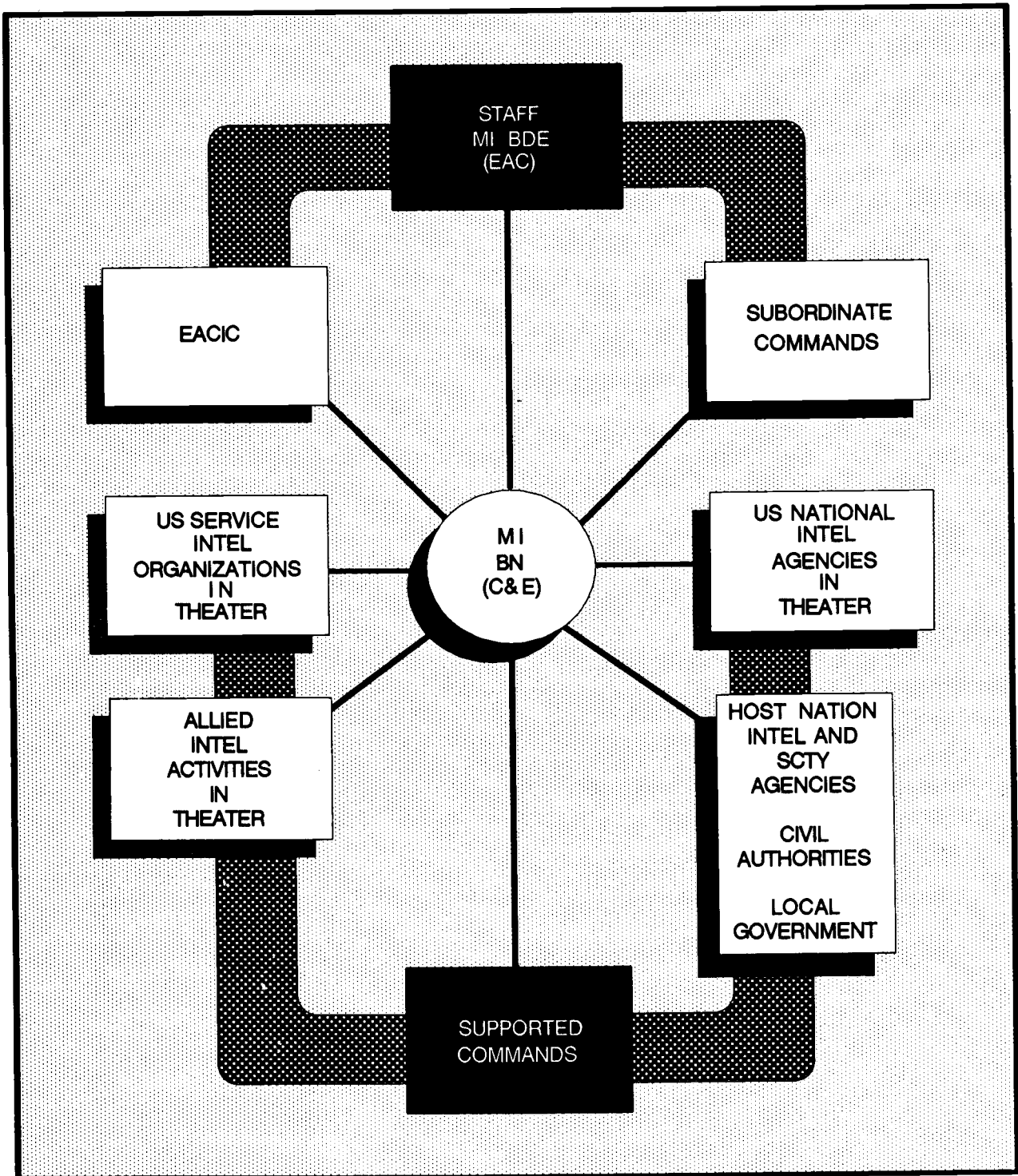


Figure 6-5. Battalion interfaces.

The single discipline team-human intelligence (SDT-HUMINT) analyzes and processes HUMINT requirements received at the EACIC or generated by the threat production elements. Within the EACIC the requirements are forwarded from the CM&D section to the production section, where personnel in the SDT-HUMINT coordinate to satisfy the requirements. If unable to satisfy the requirements, the SDT-HUMINT translates them into specific collection tasks and levies them on the MI battalion (C&E) for collection action. The SDT-HUMINT provides feedback to the CM&D section regarding all aspects of requirements.

The SDT-HUMINT also notifies other commands when persons or documents, after interrogation screening, are determined to be of special interest. Interrogators use knowledgeability briefs and spot reports to notify the SDT-HUMINT. These reports identify who or what the person or item is and how they might be of value to other collectors.

For example, interrogators spot an enemy naval pilot

during screening. They question him on combat PIR and IR and simultaneously spot report his identity to the SDT-HUMINT. The SDT contacts the naval intelligence liaison. The liaison officer responds with source-directed requirements for interrogators to use or with specific disposition instructions.

The second POC for the battalion with the EACIC is the CI analysis section. This section conducts MDCI analysis for the COMMZ to--

- o Determine hostile collection threat and friendly vulnerabilities to that threat.

- o Recommend counter-measures.

- o Evaluate effectiveness of those countermeasures.

The CI team interfaces closely with other elements of the production section. It exchanges critical information required to analyze the enemy's multidiscipline collection capabilities. It performs similar functions as the SDT-HUMINT in analyzing and processing CI requirements.

CHAPTER 7

MILITARY INTELLIGENCE BATTALION (INTERROGATION AND EXPLOITATION)

As covered in Chapter 6, the MI battalion (C&E) performs both foreign positive HUMINT and CI activities. In other theaters, these missions are performed by two other battalions. This chapter discusses the MI battalion (I&E) whose mission is entirely foreign positive HUMINT.

The MI battalion (I&E), shown at Figure 7-1, has a battalion headquarters, an HHC, and three MI companies (I&E). Two interrogation companies provide support to the operations of JIFs established within the theater. The third company provides GS support to ECB units operating in the theater AO. The MI battalion (I&E) mission, which is similar to that of the MI battalion (C&E), includes--

- o Establishing one-to-three theater, joint, or combined

interrogation facilities within the internment facility. They are established by the provost marshal and operated by an MP battalion. This is consistent with current OPLANs and concepts of EAC operations in DS of theater CINCs and theater Army components.

- o Interrogating EPWs, high level political and military personnel, civilian internees, refugees, displaced persons, and other non-US personnel.

- o Assisting in the interrogation of EPWs and other personnel of intelligence interest for component or Allied commands.

- o Translating and exploiting CEDs.

- o Conducting TAREX collection activities, when augmented.

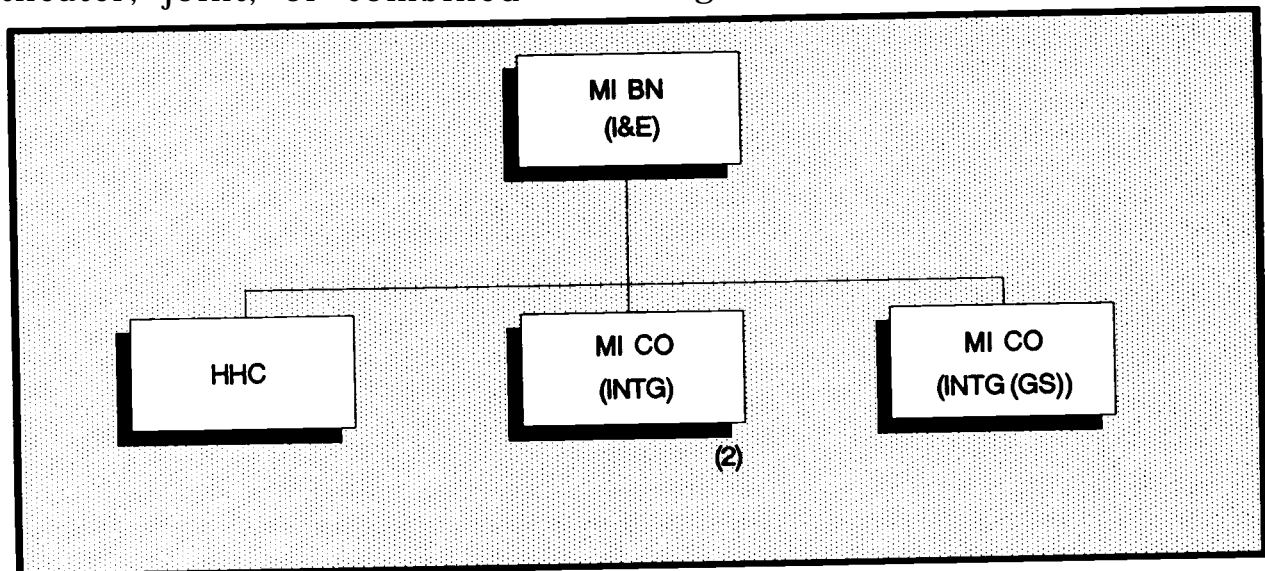


Figure 7-1. MI battalion (I&E).

o Debriefing returned US prisoners of war and detained personnel.

HEADQUARTERS AND HEADQUARTERS COMPANY

The HHC includes personnel for the battalion headquarters and the headquarters company. Figure 7-2 shows this organization.

The general staff responsibilities of the MI battalion (I&E) are similar to those of the MI brigade (EAC) and other MI battalions (see Chapters 3 and 5). The MI

battalion (I&E) also has a unit ministry team assigned. The S3 section--

o Provides C² and supervision of all the battalion's I&E operations.

o Processes and disseminates HUMINT spot reports and intelligence information reports (IIRs) to the SDT-HUMINT element of the EACIC.

o Plans and coordinates use of the battalion's I&E assets and supervises the TAREX teams, if assigned.

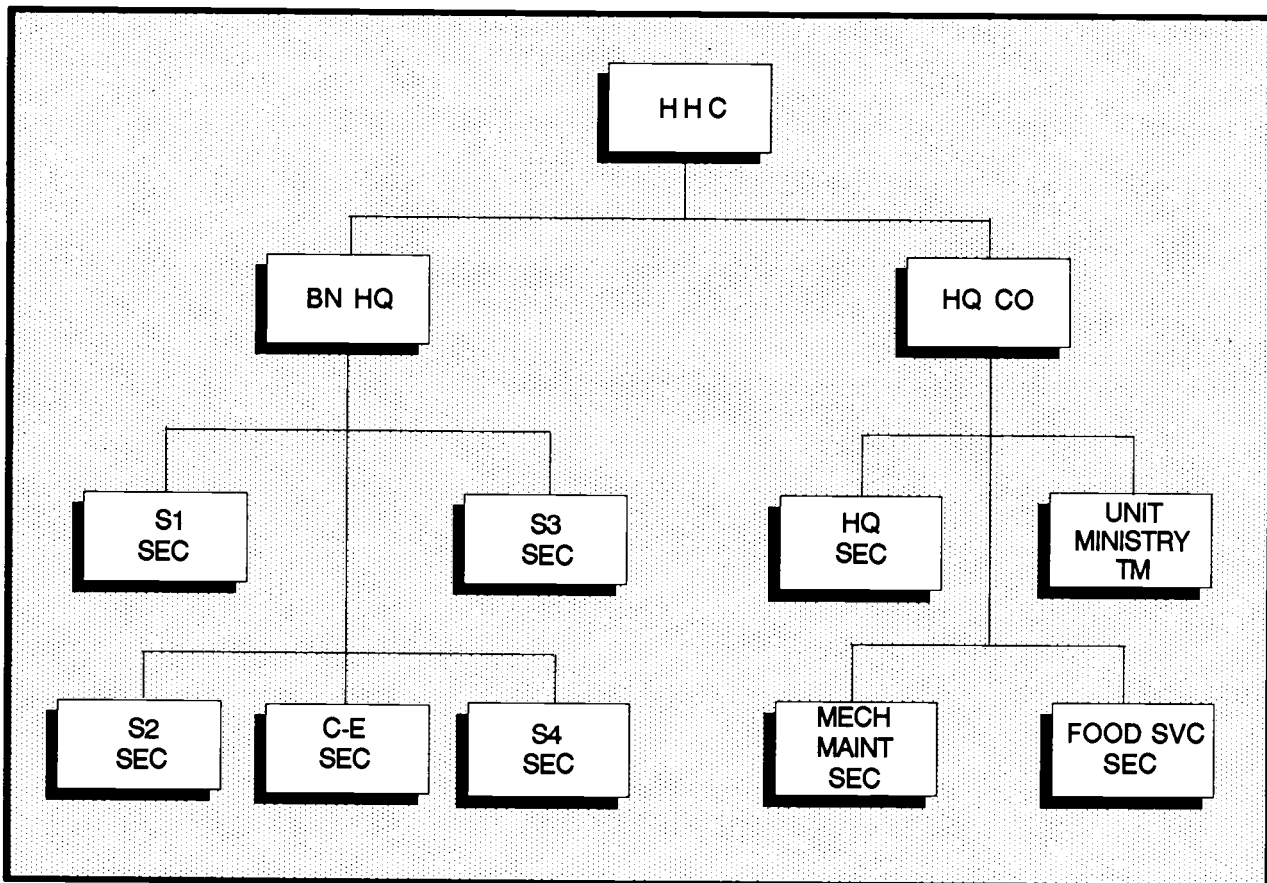


Figure 7-2. HHC, MI battalion (I&E).

MILITARY INTELLIGENCE COMPANY (INTERROGATION)

Each MI company (interrogation) includes a company headquarters, operations section, communications section, food service section, and an I&E platoon. The functions of each of the company's sections are described in Chapter 6. (Refer to Figure 6-4 for the organization of this company.)

MILITARY INTELLIGENCE COMPANY (INTERROGATION) (GENERAL SUPPORT)

The MI company (interrogation) (GS) provides HUMINT support functions similar to that of the EPW companies. The main difference is the direction of the support. This company provides GS to ECB units operating in the theater AO. It also conducts liaison with the supported commands, foreign military and civilian intelligence organizations, refugee control points, and collection facilities. These liaison activities can result in written intelligence products on persons, documents, and equipment of significant intelligence value to the theater commands. In addition, this company can assist the other interrogation companies, as required.

The MI company (interrogation) (GS) consists of a headquarters section, operations section, and three interrogation platoons, each with a platoon headquarters and six interrogation sections.

These sections combine the skills of intelligence analysts and interrogators to accomplish their assigned missions, which are directed and coordinated by the company's operations section. This company uses the supported command's reporting channels.

TARGET EXPLOITATION

Both MI battalions--I&E and C&E--can be augmented with TAREX elements or teams. The elements would be located with TECHINT battalions or companies of the MI brigade (EAC). When augmented, either battalion can conduct collection operations supporting strategic and tactical exploitation of hostile EW activities. TAREX operations are conducted against certain EPWs, civilians, defectors, and refugees who have knowledge of enemy C-E (signal) operations.

TAREX teams assist in the interrogation or debriefing of captured C-E personnel and screen enemy signal-peculiar equipment, documents, or other signal materiel. Although OPCON to either battalions (I&E or C&E), the TAREX reporting channels flow through SIGINT channels established within the theater to the EACIC. The functions and operations of TECHINT are discussed in Chapter 8.

OPERATIONS

The operations of the MI battalion (I&E) are identical to that of the MI battalion (C&E). Operations involve both specific internal procedures

and external coordination requirements with other intelligence and civilian organizations within the theater AO. Generally, MI battalion (I&E) activities are controlled through the

battalion and company operations sections. Reporting flows back through these operations channels and directly to the SDT-HUMINT and CI team within the EACIC.

CHAPTER 8

ECHELONS ABOVE CORPS BATTLEFIELD TECHNICAL INTELLIGENCE

This chapter describes the mission of battlefield TECHINT and the organizations that manage and support TECHINT requirements. The Army's one active component TECHINT unit is used to show doctrine common to all contingencies and theaters of operation.

BATTLEFIELD TECHNICAL INTELLIGENCE

TECHINT is one of the five intelligence disciplines and consists of S&TI and battlefield TECHINT. DOD and national intelligence activities manage and conduct S&TI collection and production. S&TI supports strategic level TECHINT production. Battlefield TECHINT supports operational and tactical levels of intelligence. The IEW system includes theater echelon MI units (TECHINT) to manage and conduct the battlefield TECHINT effort. (See FM 34-54.)

BATTLEFIELD TECHINT STRUCTURE

The Army has just one TECHINT unit in the Active Component, an MI battalion (TECHINT). The balance of the TECHINT force is in the RC. These companies are assigned to each theater's MI battalion (operations) as a roundout unit. The organization and functions of the MI company (TECHINT) are the same for both active and reserve forces (see Chapter 4).

The MI battalion (TECHINT), currently a provisional unit, is subordinate to INSCOM. The battalion has both an extensive peacetime mission and a worldwide TECHINT contingency support role.

In case of war, the unit deploys to a turns over C² to the force commander's MI brigade. In wartime the battalion establishes a CMEC to manage TECHINT collection and countermeasure production until augmented, reinforced, or relieved by the MI brigade's assigned roundout reserve TECHINT company.

THE BATTLEFIELD TECHINT MISSION

The mission of a MI unit (TECHINT) is to provide supported force commanders with--

- o Analyses and exploitations of foreign and technical CEDs, equipment, weapon systems, and other war materiel.
- o Reports on the capabilities and limitations of enemy combat material.
- o Reports alerting the command to the tactical threat posed by technical advances in new or recently discovered foreign and enemy materiel.
- o Countermeasures to any enemy technical advantage.

- o Foreign and enemy equipment for troop familiarization and training.
- o Recommendations on the reuse of CEM.
- o On-site supervision of evacuations of items of extreme interest to TECHINT analysts.
- o A coordinated, timely, and continuous flow of information and TECHINT to requesters and taskers.
- o Task-organized battlefield TECHINT teams to support a subordinate command's TECHINT effort.

MILITARY INTELLIGENCE
BATTALION (TECHINT)
INTELLIGENCE) ORGANIZATION

The MI battalion (TECHINT), shown at Figure 8-1, consists of an HHC and at least one TECHINT company. The MI battalion (TECHINT) task organizes TECHINT teams from its organic and attached resources to support corps and divisions as necessary.

HEADQUARTERS AND
HEADQUARTERS COMPANY

The HHC provides C² for all organic and attached battalion elements, supplies, and support services. It coordinates and depends on the

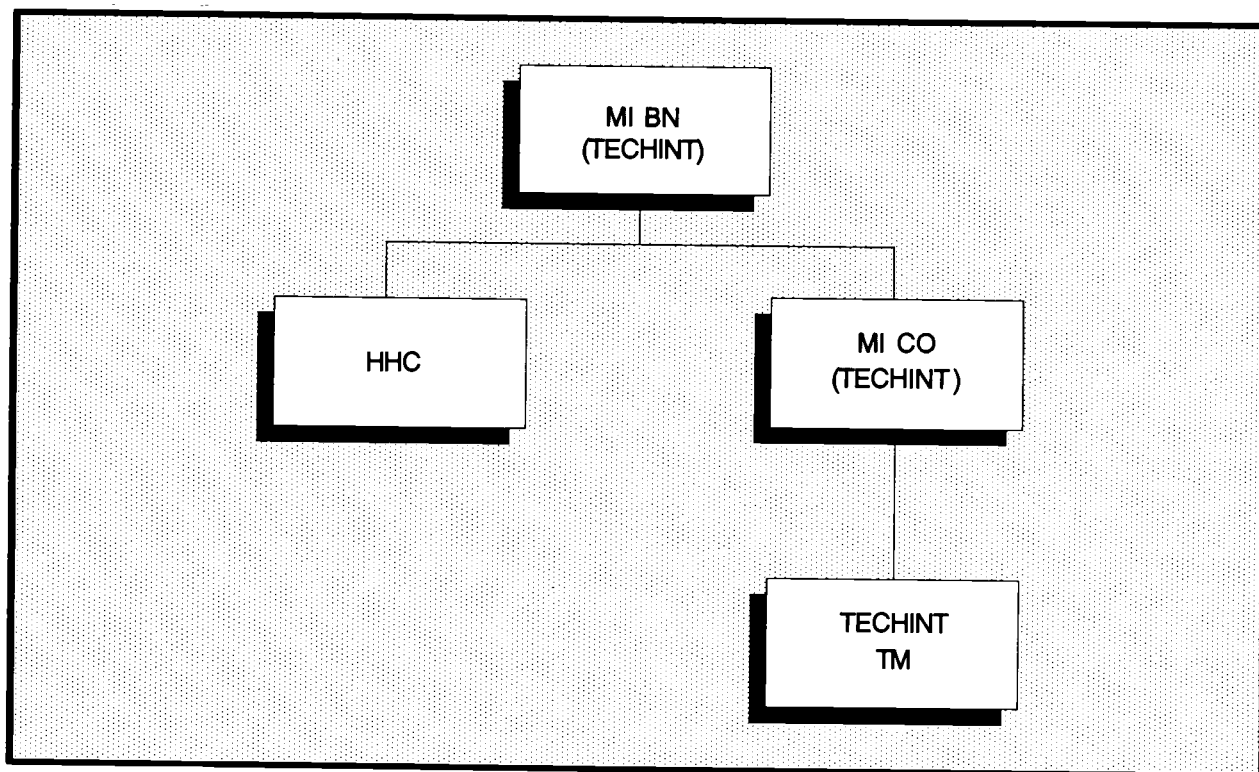


Figure 8-1. MI battalion (TECHINT).

HHC of the MI brigade for all maintenance, food service, and miscellaneous support not organic to the battalion.

The battalion commander is the supported force commander's advisor on all matters relating to TECHINT and technical countermeasures. The commander is also the director of the CMEC, which conducts the theater's overall TECHINT exploitation and production effort.

MI COMPANY (TECHINT)

The TECHINT company has the bulk of the battalion's subject matter experts (SMEs). These

SMEs perform laboratory and on-site analysis of CEM of interest to the CMEC. They seek to determine a system's characteristics, potential, and vulnerabilities in order to develop countermeasures that will neutralize any advantage the system offers the enemy.

The individual platoons begin the source directed requirements process by routing questions for interrogators to use in exploiting personnel with specific and critical technical knowledge (see Chapter 6). The MI company (TECHINT) is organized as shown at Figure 8-2.

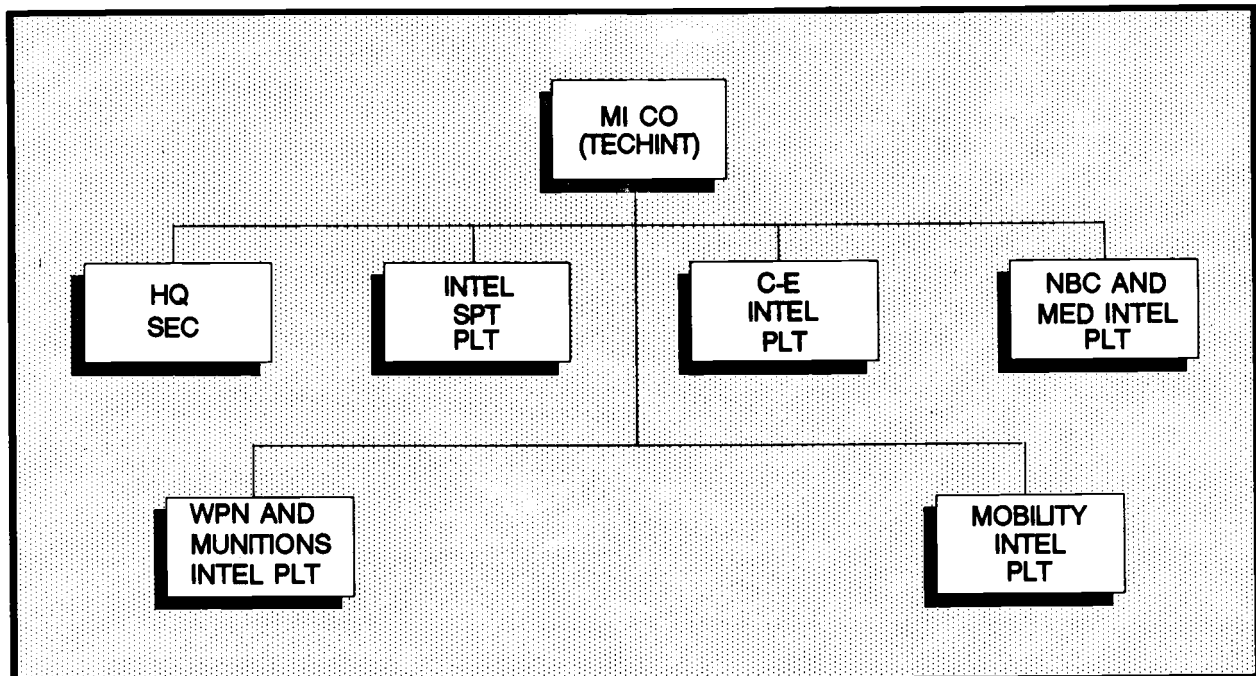


Figure 8-2. MI company (TECHINT).

Intelligence Support Platoon

This platoon provides limited illustrator, editorial, and photographic support to the CMEC and deployed battlefield TECHINT teams. Part of the CMEC's mission is to provide handbooks and publications on how our soldiers can reuse, render safe, or destroy captured enemy equipment (CEE). This platoon supports that effort and provides appropriate photographs, diagrams, sketches, or charts to supplement other written reports and analyses.

Communications-Electronics Platoon

This platoon provides C-E technical expertise and analytical support to the CMEC and deployed battlefield TECHINT teams. Its purview concerns enemy communications or electronics equipment. It is responsible for laboratory and on-site exploitation of new and critical items, often resulting in extensive and detailed reports. Countermeasure production requires close integration with TAREX activities and elements.

NBC and Medical Intelligence Platoon

This platoon provides SMEs who analyze and counter enemy technological advances in chemical warfare and medical procedures, equipment, and systems. The CMEC's efforts in this area require close coordination among TECHINT specialists, the staff chemical officer's NBC teams, and the

staff surgeon's intelligence effort.

Weapons and Munitions Intelligence Platoon

This platoon provides enemy weapon systems expertise and analyst capability in the laboratory and in the field. This requires close coordination with capturing units, engineers, and explosive ordnance disposal (EOD) teams. Platoon specialists typically exploit enemy armor, antitank guided missiles, smoke devices, mines, and non-nuclear munitions.

Mobility Intelligence Platoon

This platoon provides subject matter expertise on enemy mobility capabilities. TECHINT reports on this subject are crucial during IPB when enemy capabilities are integrated into weather and terrain conditions. Typical items historically exploited are enemy river crossing systems, amphibious equipment, tracked vehicles, enemy engineer equipment, and rotary-winged aircraft. Close coordination with combat engineers is often necessary.

CAPTURED MATERIAL EXPLOITATION CENTER

The theater's TECHINT unit forms a CMEC from its own assets to conduct and coordinate the command's battlefield TECHINT effort. Other technicians and specialists in disciplines such as medical, EOD, and engineering may augment it.

When SMEs from other services augment the CMEC, it becomes a joint captured materiel exploitation center (JCMEC). When SMEs from other nations augment it, the CMEC becomes a combined captured materiel exploitation center (CCMEC).

Ideally, the CMEC is located in the theater rear near main supply routes, airports, and seaports. The site must be conducive to positioning the sensitive and sophisticated test equipment needed by the CMEC. Analysts, technicians, and scientists use this equipment to conduct the detailed and time-consuming examinations which are impossible for deployed TECHINT teams to perform.

The CMEC exists to provide the force commander countermeasures to enemy combat systems. It rapidly disseminates combat information and processed intelligence of a perishable nature to those who need it. The CMEC inputs all technical information obtained into the IEW system for further processing into all-source intelligence products.

CMEC MISSION

The CMEC has the same mission as the MI company (TECHINT) and is formed from personnel from the company. Figure 8-3 shows the TECHINT tasking and reporting channels that would be established within a theater. A CMEC is created only during wartime or contingency operations. Its mission includes--

- o Determining disposition of captured items, including evacuating items collected.

- o Supporting the PIR and IR development process by giving the EACIC a list of TECHINT items wanted for CMEC exploitation.

- o Establishing liaison throughout the AO with collection points, civil affairs, interrogation, EOD, NBC, and logistic operations to facilitate identifying CEM of interest to the CMEC.

- o Establishing and operating laboratories and analysis facilities for exploiting CEM.

- o Supervising on-site collection and evacuation of items of priority interest to the CMEC.

- o Task-organizing TECHINT teams from its own resources to provide DS, GS, and GS-R to a subordinate commander's TECHINT efforts.

- o Providing countermeasures to advances in enemy technology.

CMEC SUPPORT TO CORPS AND BELOW

The CMEC supports ECB by answering all spot reports regarding the capture of suspected or known TECHINT materiel and providing the capturing unit with disposition instructions. The CMEC--

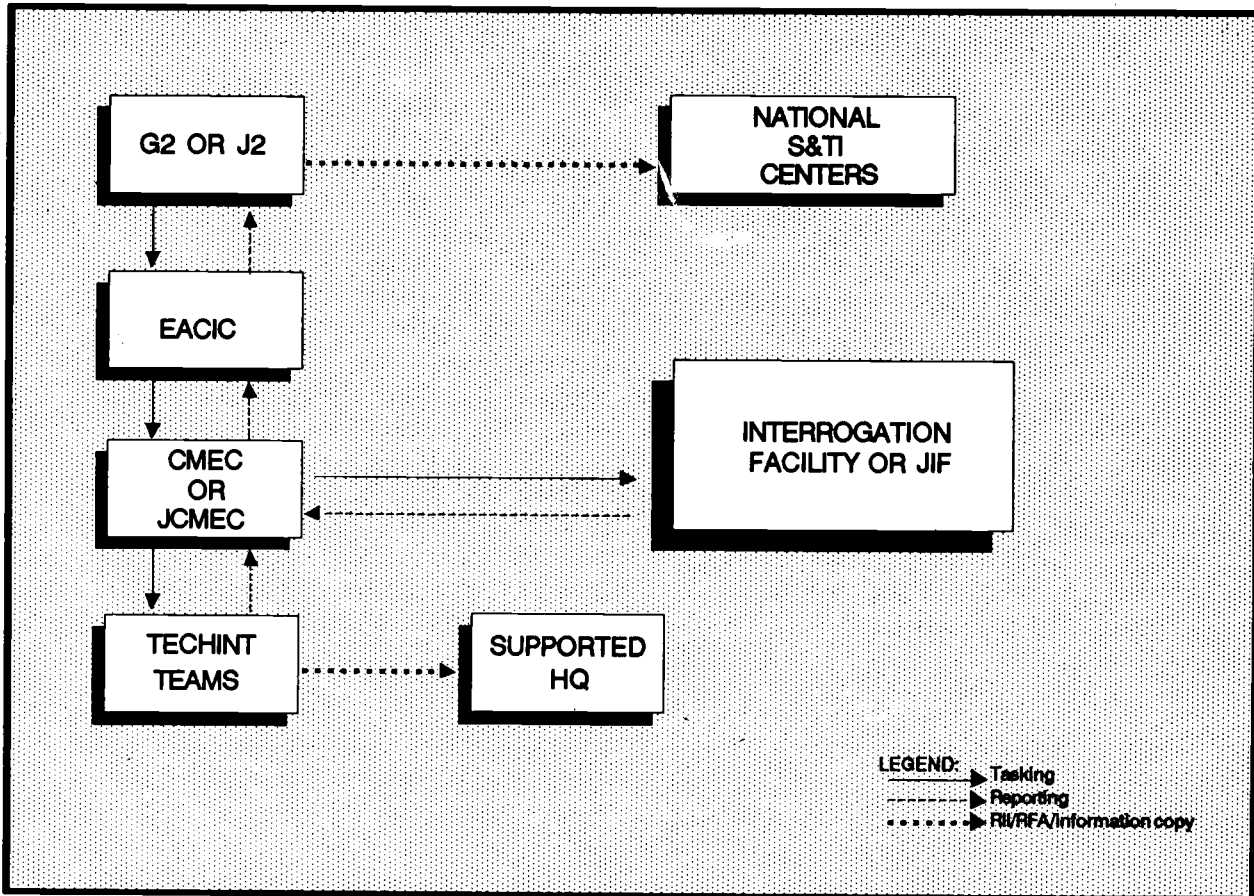


Figure 8-3. TECHINT tasking and reporting channels.

- o Coordinates evacuation for subordinate echelons in accordance with procedures established in the theater.
- o Publishes a wide range of pamphlets explaining how to defeat, render safe, and even reuse enemy systems encountered on the battlefield.
- o Supports subordinate echelon commanders by organizing and deploying TECHINT teams to coordinate their battlefield TECHINT effort.

BATTLEFIELD TECHNICAL INTELLIGENCE TEAMS

The IEW architecture requires one battlefield TECHINT team within any particular theater. It is the CMEC subelement assigned as the TECHINT SDT in the EACIC production section (see Chapter 4).

The CMEC task organizes other battlefield TECHINT teams, as necessary, to further facilitate the force commander's TECHINT effort.

There are no standard rules on team composition, mission, or deployment area.

The CMEC organizes a TECHINT team's composition according to the mission and SME assets on-hand. If a team is to serve as a corps "mini-CMEC," it will probably have at least one of each type of specialist available. If a team has only the task to supervise an enemy tank evacuation, then it might need only one armor SME and one evacuation technician.

The theater commander may instruct the CMEC to form and deploy battlefield TECHINT teams to conduct different types of missions, to include--

- o DS to ECB to specifically support subordinate commander TECHINT countermeasure requirements. This would include serving as a "mini-CMEC" for the corps or division G2.

- o GS-R to perform preliminary TECHINT examinations within a corps AO. This might include evaluating battle damaged friendly equipment to analyze enemy weapon system capabilities.

- o GS to corps until an RC TECHINT roundout company enters an AO. After arrival of the reserve TECHINT element, this team might stay behind to serve as the theater CMEC's liaison at the various collection and evacuation points in the theater AO.

- o "GO" teams sent forward on a one-time basis to perform specific on-site exploitations or to supervise critical evacuations.

BATTLEFIELD TECHNICAL INTELLIGENCE REPORTS

The IEW system must be prepared to handle the different types of reports generated as a result of the supported command's TECHINT effort. The reports range from low technical size, activity, location, unit, time, and equipment (SALUTE) reports coming into the system from capturing units to high technical analyst reports from the CMEC en route to national S&TI centers.

THE SALUTE REPORT

Battlefield TECHINT doctrine operates under the premise that only those captured items wanted by the CMEC will be exploited onsite or evacuated to the CMEC. This means a lot of equipment will be left on the battlefield for routine logistics disposition. Capturing units must use common sense and their PIR and IR to decide if an item might be of interest to the CMEC. They verify their decision by spot reporting the item's capture through higher headquarters to the first echelon with an organic or attached TECHINT element.

The spot report is in the SALUTE format. Once the CMEC learns of the capture, it sends disposition instructions back

to the capturing unit. These instructions could range from "send more information" to "prepare for item's evacuation as follows" to "destroy in place."

The SALUTE report is used because it is fast, does not clutter communication channels, and includes enough information for the CMEC to decide disposition or if it needs more data. Examples of SALUTE reports used to transmit intelligence information are in FM 34-2, FM 34-52, and FM 34-54.

PRELIMINARY AND COMPLEMENTARY TECHNICAL REPORTS

Battlefield TECHINT teams normally report initial and secondary examinations of CEM using either a preliminary technical report (PRETECHREP) or a complementary technical report (COMTECHREP).

A PRETECHREP--

- o Includes a general description of the item reported and recommended render-safe procedures.

- o Alerts others to significant technical data that can be used immediately by tactical units.

A COMTECHREP is more in-depth. It--

- o Follows a secondary or an in-depth initial examination.

- o Allows the CMEC to compare significant information obtained to information already in its data bank.

OTHER TECHNICAL REPORTS

At each successive echelon of exploitation TECHINT analysts add to the overall body of information on an item by either adding to previous reports or by preparing new reports. The CMEC or other national level S&TI activities prepare more advanced technical reports and analyses. The IEW system must be prepared to disseminate these and all TECHINT reports to the lowest echelon necessary. These reports include--

- o Detailed technical reports.

- o Translation reports.

- o Special technical reports.

Other TECHINT products include--

- o CMEC publications such as operator manuals, maintenance manuals, TECHINT bulletins, and tactical user bulletins.

- o S&TI analysis bulletins.

- o Foreign materiel exploitation reports.

CHAPTER 9

MILITARY INTELLIGENCE BATTALION (IMAGERY ANALYSIS)

The mission of the MI battalion (IA) is to exploit tactical, theater, and national level imagery and to quickly disseminate IMINT within the theater. Tactical reconnaissance imagery exploitation has been transferred to the US Army RC. In the future, other imagery functions and organization of this battalion may also be transferred to the RC.

The MI battalion (IA) provides the following IMINT support to the theater:

- o Analysis of imagery to satisfy EAC units and supported units' imagery exploitation requirements as tasked by the EACIC.

- o Analysis of imagery exploitation requirements from the EACIC for planning, supervising, and coordinating imagery missions tasked in support of EAC units and supported corps.

- o First-, second-, and third-phase analysis; exploitation; and reproduction of radar, infrared, photographic, E-O, multispectral, and digital imagery products derived from tactical, theater, and supported corps requirements.

- o Dissemination of intelligence reports derived from imagery to EAC units and supported corps.

- o Imagery exploitation in support of OPSEC requirements.

- o Air reconnaissance liaison personnel to the United States Air Force (USAF) tactical reconnaissance wing or squadron to ensure the satisfaction of Army imagery requirements.

- o One-to-nine MI tactical reconnaissance support (TRS) detachments to exploit imagery in support of tactical, theater, and national level tasking.

- o A strategic IA detachment to exploit imagery in support of theater and national level requirements. The detachment provides intelligence reports and hard copy imagery to satisfy theater intelligence and terrain analysis requirements.

The MI battalion (IA) organization, shown at Figure 9-1, consists of an HHD, up to nine TRS detachments, and zero-to-five strategic IA detachments.

The HHD provides C² of assigned or attached elements of the MI battalion (IA).

A TRS detachment deploys with a USAF tactical reconnaissance squadron at an airfield. Due to the geographic dispersion of these elements, they must operate with limited support from the

battalion. The TRS detachment locates where the supported Army component commander dictates.

The strategic IA detachment normally locates near the EACIC to fulfill its mission of support. For more information on imagery analysis, see TC 34-55.

HEADQUARTERS AND HEADQUARTERS DETACHMENT

The mission of the HHD is to provide C² and administrative and logistic support to assigned or attached units of the MI battalion (IA).

The HHE, shown at Figure 9-2, includes a battalion headquarters with an S1, combined S2 and S3 section, S4 section, and C-E section; and a detachment headquarters with a mechanized maintenance section and a food service section. Usually the HHD locates in the vicinity of the EACIC.

The responsibilities of the staff sections for the MI battalion (IA) are similar to those described in Chapters 3 and 5. This battalion has a combined S2 and S3 section which performs the functions of both staff positions. This section provides IMINT input to the EACIC for planning, supervising, and coordinating imagery exploitation, mission planning, and assistance in CM in support of theater IMINT requirements.

The S2 and S3 section also provides the interface between

TRS detachments, the strategic detachment (IA), and the single discipline team-imagery intelligence (SDT-IMINT) element with the EACIC. The section provides an aerial reconnaissance liaison officer (ARLO) and senior imagery analyst to the USAF tactical reconnaissance wing; they assist in mission planning and satisfying Army requirements.

MILITARY INTELLIGENCE DETACHMENT (TACTICAL RECONNAISSANCE SUPPORT)

The mission of the TRS detachment is to exploit tactical and theater level imagery and to disseminate the reports quickly. Figure 9-3 shows the organization of a TRS detachment. The TRS detachment provides--

- o Imagery-derived information and intelligence to the EACIC and requesting and supporting units.

- o First- and limited second-phase exploitation of radar, E-O, infrared, and photographic imagery.

- o Interface with the USAF tactical reconnaissance squadrons to satisfy Army imagery requirements. The USAF collects, processes, analyzes, and disseminates imagery support for the detachments.

- o Communications capability to pass IMINT reports to requesters and supported units.

- o A backup communications link for USAF IMINT communications.

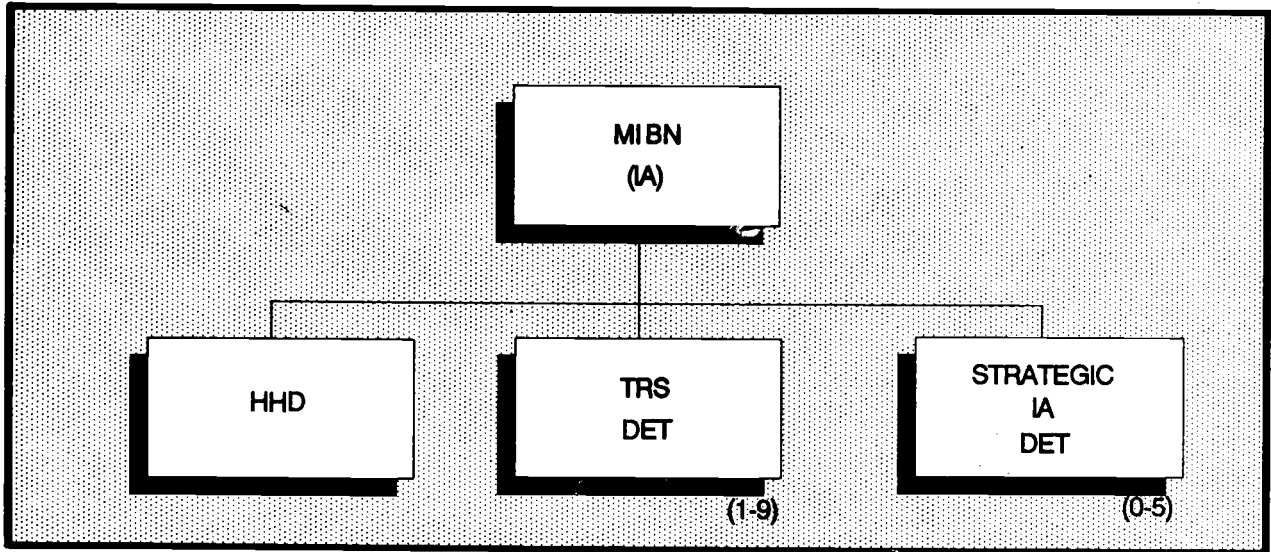


Figure 9-1. MI battalion (IA).

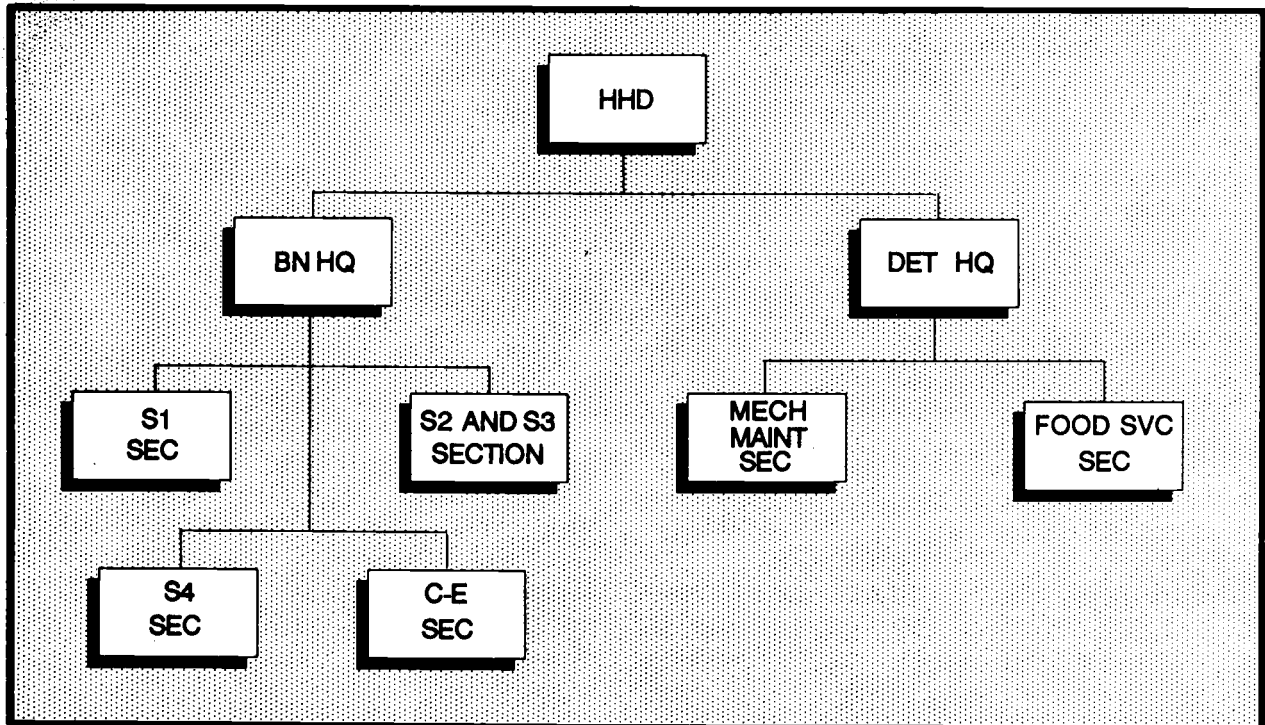


Figure 9-2. HHD, MI battalion (IA).

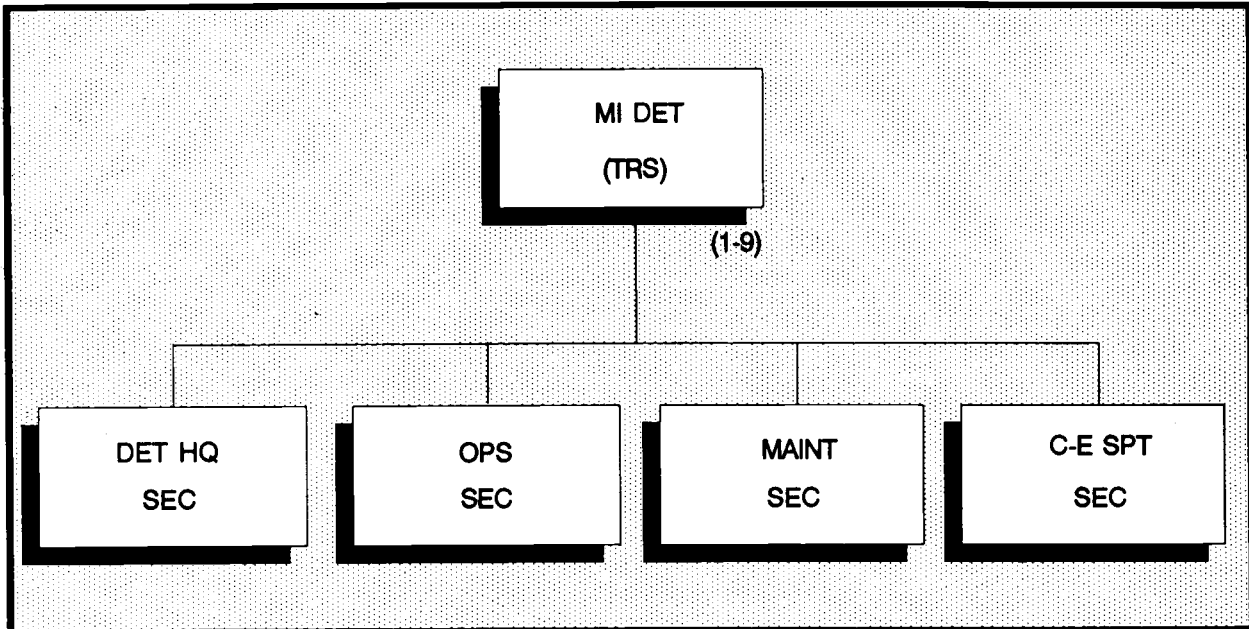


Figure 9-3. MI battalion (IA) TRS detachment.

DETACHMENT HEADQUARTERS SECTION

The detachment headquarters section is the command element. It provides operational C², administrative, and supply management support for the detachments. It also acts as liaison between the detachments and the USAF tactical reconnaissance squadrons.

OPERATIONS SECTION

The operations section has a mobile army ground imagery interpretation center (MAGIIC). The MAGIIC was originally designed as a tactical imagery exploitation system and is currently being phased out of fielded inventory. MAGIIC provides the exploitation interface with USAF imaging systems. When this MAGIIC is replaced, it will provide exploitation

capability for the RC.

Intelligence reports are sent by TACC or by secure communications to supported units and the EACIC. The section also provides imagery to the basic cover library in the strategic detachment to update the imagery data base and to use it in the basic cover program.

MAINTENANCE SECTION

The maintenance section provides personnel and equipment to perform unit level maintenance for wheeled vehicles, generators, compressors, MAGIIC, and related equipment for the detachment.

COMMUNICATIONS-ELECTRONICS SUPPORT SECTION

The C-E section operates the communications link with

the MI battalion (IA). It also performs operational and administrative logistic support functions.

When the MI battalion (IA) is at full strength, it has the capability to deploy nine TRS detachments. While normally collocated with USAF tactical reconnaissance squadrons, additional TRS detachments collocate with and provide support to Allied or combined commands anywhere in the theater AO.

STRATEGIC IMAGERY ANALYSIS DETACHMENT

Strategic IA detachments are organic to the MI battalion (IA) if assigned to a theater. When present, the HHD of the detachment collocates with the IA battalion headquarters. If the IA battalion is not present, the strategic IA detachment is part of the MI battalion (operations). Chapter 4 discusses the organization, mission, and functions of the strategic IA detachment.

CHAPTER 10

MILITARY INTELLIGENCE BATTALION (COUNTERINTELLIGENCE)

This chapter describes the mission and organization of the MI battalion (CI). It discusses the functional activities of the battalion and the support role of CI in combatting terrorism.

The MI battalion (CI) provides support in Europe and Southwest Asia. The MI company (CI), as part of the MI battalion (C&E), provides support in the Pacific, Korea, and Central and South America. The MI battalion (CI) and MI company (CI) function in a GS role to units operating within the theater or AO for which the MI brigade (EAC) has responsibility. Their missions are to provide MDCI support within the theater or AO. The MI battalion (CI), shown at Figure 10-1, is organized with an HHC and three CI companies.

The MI battalion (CI) and MI company (CI) perform basic CI functions:

- o CI support within the COMMZ.
- o CI investigations and special operations.
- o CI technical support, TSCM, and polygraph.
- o Liaison with designated joint and combined commands and host nation CI counterparts.
- o Reinforcing CI support to US. corps and other designated commands.

The general staff responsibilities of the MI battalion (CI) are similar to those described for the MI brigade (EAC) and other MI battalions (see Chapters 3 and 5). This battalion also

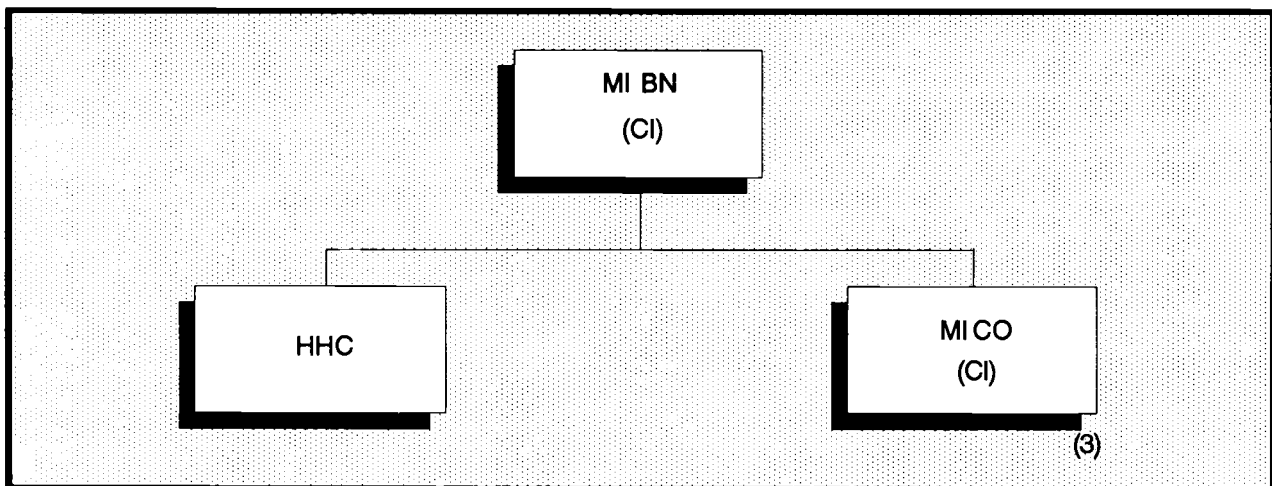


Figure 10-1. MI battalion (CI).

has a unit ministry team assigned.

HEADQUARTERS AND HEADQUARTERS COMPANY

The HHC includes a battalion headquarters and a headquarters company. The battalion headquarters includes the battalion command group and staff sections. The headquarters company contains a headquarters section, unit ministry team, mechanized maintenance section, and a food service section.

The HHC provides--

- o C² of assigned or attached units or elements.
- o Staff planning.
- o Management.
- o Coordination of employment of battalion resources.
- o Communications support.
- o Unit maintenance.
- o Recovery support for battalion equipment.
- o CI technical support (TSCM and polygraph).

The S3 section plans, coordinates, and tasks organic and attached CI assets. The section provides the interface for tasking and reporting, with the MI brigade (EAC) and the CI section and SDT-HUMINT element of the EACIC.

The S3 section provides the TSCM and polygraph teams which support the battalion mission.

It also has an analysis team that writes CI reports, summaries, and estimates. The analysis team maintains the MDCI data bases from information provided to it from the three CI companies. The information is derived from the MDCI functions of the companies: CI investigations; operations; collection; and the conduct of C-SIGINT, C-HUMINT, and counter-imagery intelligence (C-IMINT) analytical efforts. Figure 10-2 shows the organization of HHC, MI battalion (CI).

The MI battalion (CI) operates in a GS role in providing CI support throughout the theater AO. It may, however, deploy teams from its organic companies to reinforce corps or other CI EAC unit assets (for example, SOF units). If deployed, the teams remain under the C² of the battalion.

MILITARY INTELLIGENCE COMPANY (COUNTERINTELLIGENCE)

The structure of the MI company (CI) is the same, whether assigned to the MI battalion (CI) or to the MI battalion (C&E). Because the battalion has a pure CI mission, three CI companies are assigned vice the single company assigned to the MI battalion (C&E). See Chapter 6 for a complete description of the structure and functions of the separate elements of the MI company (CI) and other organizations with which the MI battalion (CI) may coordinate to accomplish its mission; they are the same as those for the MI battalion (C&E).

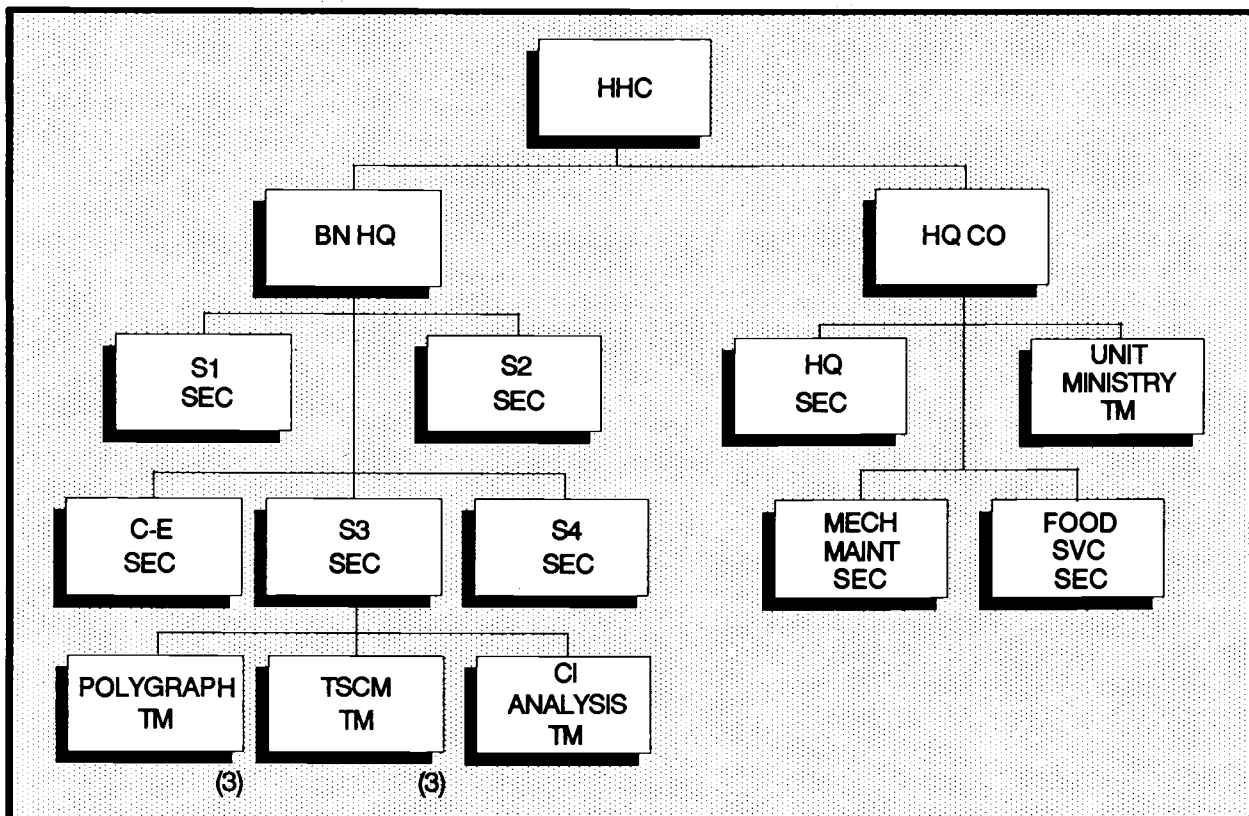


Figure 10-2. HHC, MI battalion (CI).

COUNTERINTELLIGENCE OPERATIONS

Army CI activities are directed against the multidiscipline intelligence collection efforts of our adversaries. In responding to the collection capabilities of an enemy (HUMINT, SIGINT, IMINT, and other collection means), MDCI must be able to identify what collection capabilities exist and recommend countermeasures to deny the information sought. Part of the CI mission includes countering, to the extent possible, various foreign and threat intelligence services other than intelligence collection activities, such as

propaganda, disinformation, sabotage, terrorism, and assassination.

The conduct of the CI mission is accomplished through four basic functions: investigations, operations, collection, and analysis and production. The information (for example, C-HUMINT) resulting from the first three functions merges during the analytical process with the information generated from C-SIGINT and C-IMINT analytical functions. The battalion CI analysis team and the company operations sections translate the information into brief MDCI reports and products that

support the operations staff (G3 or J3) section's OPSEC and deception staff planning processes.

The same MDCI functions are accomplished throughout the spectrum of conflict. However, during contingency or LIC operations, the emphasis is on using HUMINT techniques to collect information to counter an enemy's collection capabilities or hostile operations.

CI assets, in two- or four-person teams, may be deployed throughout the theater AO. The teams are assigned either an area or a unit mission. The most effective employment technique for these teams is to assign areas of responsibility. The team assumes a GS mission and the conduct of its functions supports all units within its area of responsibility. The GS role is the best support mission for teams because it allows limited CI assets to support the entire force within the area covered. In the GS role the teams can also respond to theater PIR and IR collection tasks in a specific AO. CI teams employed with unit support missions also are best used in a GS role for the same reasons.

COUNTERINTELLIGENCE SUPPORT TO REAR OPERATIONS

CI support to rear operations is described in FM 34-60 and FM 34-60A. This support includes--

- o Maintaining liaison with military and civilian police,

civilian and MI agencies, and civil affairs units for information exchange and assistance. Cooperation between agencies is essential in defeating the rear area threat, and effective liaison is the key to this cooperation. Liaison prevents duplication of effort; ensures maximum dissemination and use of intelligence; and assists in planning unified efforts by the agencies involved. Liaison with local civil agencies also can provide I&W intelligence.

- o Providing threat awareness training to supported units. A well-developed security education program, SAEDA classes, and threat awareness training in supported units are essential to minimize FIS operations. CI personnel provide training and information on the threat to unit security managers and are responsible for channels used to report suspicious activity. CI personnel also provide security advice and assistance to supported units.

- o Conducting LLSOs throughout the COMMZ to provide I&W information on potential rear area activity. Low-level sources can be individuals who serve as paid or unpaid informants for US intelligence special agent personnel. They provide information on personalities and activities gained from their routine daily activities. Examples include the local barber, storekeeper, or maid. These LLSOs are established around critical areas or activities to provide I&W information on potential

enemy activity in the rear area.

- o Conducting LLSOs during contingency or actual combat operations. In LIC, EAC CI units conduct low-level operations to identify threats to US forces. In a theater where corps and division CI assets are deployed, EAC CI units integrate these LLSOs with those of ECB units. When initiated, these types of LLSOs are directed at gathering combat information on a potential hostile force or on an actual threat force. The planning and conduct of LLSOs are covered in FM 34-60A.

- o Investigating incidents. CI investigations are directed by the theater subcontrol office. They can lead to the identification, nullification, or exploitation of agents of hostile actions. These investigations include incidents of espionage, sabotage, subversion, sedition, treason, and terrorism. CI teams also must effect liaison with the US Army Criminal Investigation Division (CID).

- o Providing data to the black, gray, and white lists that identify personnel of CI interest. Teams conduct operations that provide data used to compile these lists. Black lists contain the names of persons hostile to US interests and whose capture, nullification, or exploitation are of prime importance. Gray lists contain names of persons whose inclinations or attitudes toward US interests are uncertain. White lists contain

names of persons favorably inclined toward US interests who need to be protected from enemy targeting. (These lists are covered in FM 34-60.)

COMBATTING TERRORISM

CI support to combatting terrorism is described in FM 34-60. This support consists of defensive and offensive measures. There is no specified point where antiterrorism measures end and counterterrorism measures begin.

DEFENSIVE MEASURES

Defensive, or antiterrorism, measures are--

- o Taken to reduce the vulnerabilities of personnel, their dependents, facilities, and equipment.

- o Commonly referred to as "hardening of a target." CI personnel recommend protective measures to key command personnel in a specific AO about a potential terrorist threat.

- o Supported by CI personnel conducting investigations consistent with appropriate regulations and host-nation laws.

OFFENSIVE MEASURES

Offensive, or counterterrorism, measures are--

- o Taken in response to specific terrorist acts, including the collection of

information and threat analysis in support of such responses.

- o Direct actions taken against a terrorist group committing a terrorist act.

This includes interdiction and apprehension. CI investigations and operations of specific terrorist groups provide information that supports direct actions.

CHAPTER 11

CONTINENTAL UNITED STATES MILITARY INTELLIGENCE GROUP (COUNTERINTELLIGENCE) (ECHELONS ABOVE CORPS)

This chapter addresses the CI EAC mission and structure in the CONUS theater. It discusses the resources available and how they provide CI support to MACOM commanders and DA and DOD agencies. It discusses, too, the functional and coordination structure of the CONUS MI group (CI) and provides insight into the duties of the key elements of the group and how they interact.

MISSION

The mission of the CONUS MI group (902d MI Group) (CI) is to conduct MDCI functions, specialized CI training, and technical support services for DA and other organizations as directed by the commanding general (CG), INSCOM. This group is a major peacetime source of CI support in CONUS. It is the only wartime CONUS EAC CI unit and is designed to meet all CI support requirements in its AO. This group's assets are tailored to support--

- o Unified, joint, and combined commands.
- o Other US Army EAC commands.
- o US Army corps and divisions.
- o DOD agencies.

The functions of the group are to--

- o Provide all-source CI support to commanders and heads of DA and DOD activities having proponency for special access programs (SAPs).

- o Plan, conduct, and manage CI investigations and operations in CONUS.

- o Conduct investigations on categories II through VI SAEDA cases and miscellaneous cases as directed (see AR 381-12).

- o Establish and operate a CI subcontrol office to manage CONUS investigations and operations.

- o Provide technical CI services and validation services, to include regulatory tests and inspections.

- o Conduct polygraph examinations for INSCOM and other DOD activities.

- o Provide ADP security support as directed by INSCOM to the Army through the conduct of comprehensive ADP security services, engineering services, software analysis services, and advice and assistance.

- o Provide CONUS-wide TSCM investigations to detect and neutralize technical surveillance penetrations, technical surveillance hazards, and physical security weaknesses.

- o Conduct laboratory analysis of technical surveillance devices and technical surveillance hazards worldwide.

- o Provide defense against methods of entry (DAME) services to INSCOM and provide technical DAME advice and assistance worldwide as directed.

- o Approve Army cryptofacilities in CONUS before establishment, alteration, expansion, or relocation.

- o Review plans for new construction of and provide field TEMPEST test support to select Army facilities. These facilities are designed to process classified information electronically to ensure adequate protection against compromising emanations.

- o Assist CONUS commanders in developing and evaluating C-SIGINT policies, plans, operating procedures, and programs.

- o Provide C-SIGINT support to CONUS EAC units or facilities and provide C-SIGINT collection support to ECB tactical units and the Army RCs.

- o Collect and analyze emissions of Army emitters. It does this during developmental and operational testing of weapons systems and during field training exercises (FTXs) to determine their vulnerability to SIGINT exploitation.

- o Provide CI support to commanders at EAC to aid in the establishment of unit OPSEC programs.

- o Establish and maintain operational coordination with local, state, and Federal investigative, law enforcement, and intelligence organizations to fulfill mission requirements.

- o Provide support to the NCA's Alternate Joint Communications Center.

- o Conduct CI collection activities in CONUS.

- o Provide dedicated CI support to the Defense Nuclear Agency (DNA) and its field activities.

- o Provide specialized CI training.

The CONUS MI group (CI) is organized for peace and would require modification for war. In peacetime, support requirements from supported commands are usually well defined, sufficiently scoped, adequately planned and resourced, and routinely conducted. Peacetime requirements, although intense, are functionally focused and demand timely response.

In peacetime, the group plans for transition to war based on the documented threat to mobilization, new or additional missions, or location of supported activities and resources. In wartime, certain functional areas would demand less emphasis while a focus on the

CONUS sustaining and training base would expand. Once combat operations begin, there will be a change in focus to securing and protecting wartime capabilities, operations, and activities in the CONUS theater.

ORGANIZATION

The CONUS MI group (CI), shown at Figure 11-1, has an HHC and three CI battalions: CE, security, and technical.

HEADQUARTERS AND HEADQUARTERS COMPANY

The HHC commands and controls all assigned and attached units. It contains elements to perform all the functions normally associated with a unit of this type.

Group headquarters consists of the group commander, deputy commander, CSM, and the command section. The commander defines and assigns the group mission, establishes objectives, and

designs concept of operations. The commander's objectives guide the actions of the staff and subordinate commanders during an operation. The group commander becomes personally involved in group CI operations by identifying information needs, directing their fulfillment, and following up to ensure instructions are carried out.

The deputy commander represents the group commander in matters of command authority and responsibility when the commander is not available. Specifically, he performs group headquarters operations and maintains essential group links with critical support elements.

The group CSM is responsible to and takes direction from the group commander. The CSM advises the commander about training, discipline, health and welfare, morale, and esprit de corps of the enlisted members.

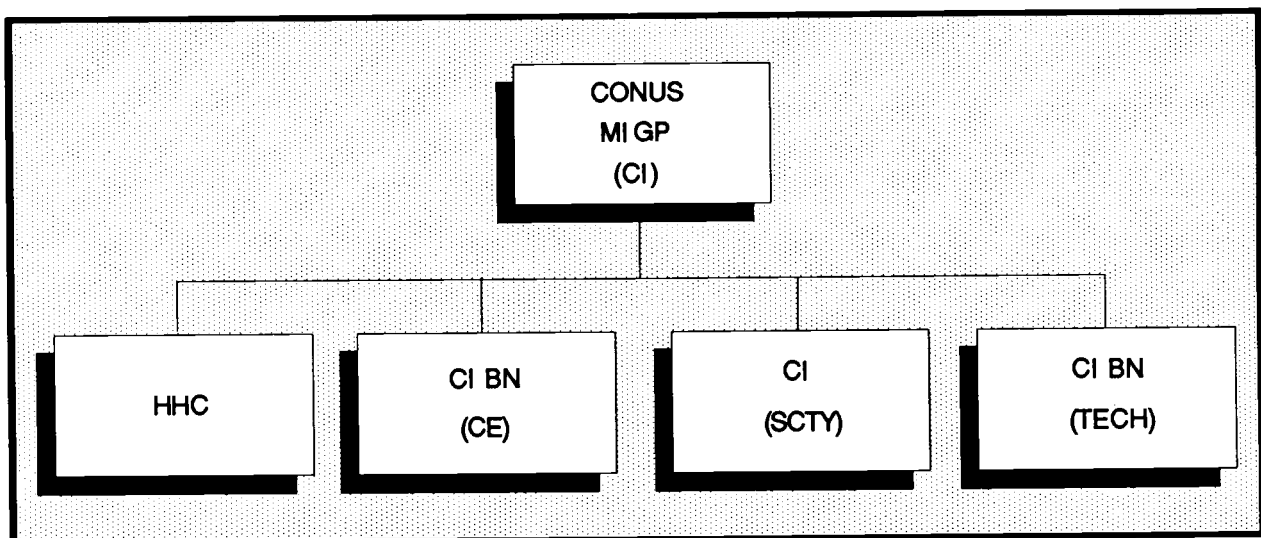


Figure 11-1. CONUS MI group (CI).

The S1 serves as the adjutant and is the primary staff officer for all military and civilian personnel administrative matters. The S1 has OPCON over the information management office (IMO). The IMO is responsible for the group's automation management and training and distributes and reproduces information.

The S2 is the principal staff officer who formulates, develops, implements, and supervises policies and procedures pertaining to internal security, multidiscipline threat dissemination, and national level liaison and intelligence oversight for the group's CONUS mission.

The S3 manages field operations, formulates plans, and oversees training for the group. The S3--

- o Develops, coordinates, directs, and monitors group CI support operations, services, plans, and programs; individual and unit training; force development requirements; and RC support and training.

- o Prepares, coordinates, implements, and interprets group operational policy.

- o Prepares and coordinates staff actions for special projects.

- o Recommends distribution of group personnel, funds, and equipment resources.

- o Prepares and recommends changes to group modification table of organization and

equipment (MTOE) and TDA documents.

- o Evaluates unit performance.

- o Coordinates group support to the SAP.

INSCOM levies mission tasking directly to the CONUS MI group (CI). The group commander and staff determine which subordinate battalion is best suited for the mission. The S3 tells the commander the status of CI operations, readiness, and unit training.

The S4 is the principal staff officer responsible for--

- o Supply.

- o Maintenance.

- o Movements.

- o Contracting.

- o Facilities management and maintenance.

- o Procurement.

- o Real estate management and leasing.

- o Other logistic support to the group.

- o Medical, environmental, and food service coordination as required.

The resource management office (RMO) is a special staff section responsible for budget and manpower. The RMO--

- o Ensures that all manpower and equipment requirements are

properly reflected on each unit's organization documents.

- o Establishes and administers an effective financial management program.
- o Provides fiscal management to include planning, committing, obligating, administering, and monitoring battalion funds.
- o Prepares, executes, and administers battalion contracts.
- o Advises battalion and subordinate commanders on budgeting and fiscal policies.

COUNTERINTELLIGENCE BATTALION
(COUNTERESPIONAGE)

The mission of the CI battalion (CE) is to conduct investigations and operations in response to alleged espionage against the US Army.

Investigative support is provided to EAC units and designated DOD activities within CONUS, Alaska, and Puerto Rico, or as otherwise directed by the group commander.

ORGANIZATION

This battalion performs its mission through geographically dispersed military intelligence detachments (MIDs), executing the battalion's mission in a specific area. These MIDs are further broken down as needed into resident offices (ROs) to facilitate battalion mission execution. The number of MIDs and ROs are tailored to mission requirements.

Typically the CI battalion (CE), shown at Figure 11-2, has a headquarters and support detachment, four-to-five MIDs, and one-to-five ROs for each MID.

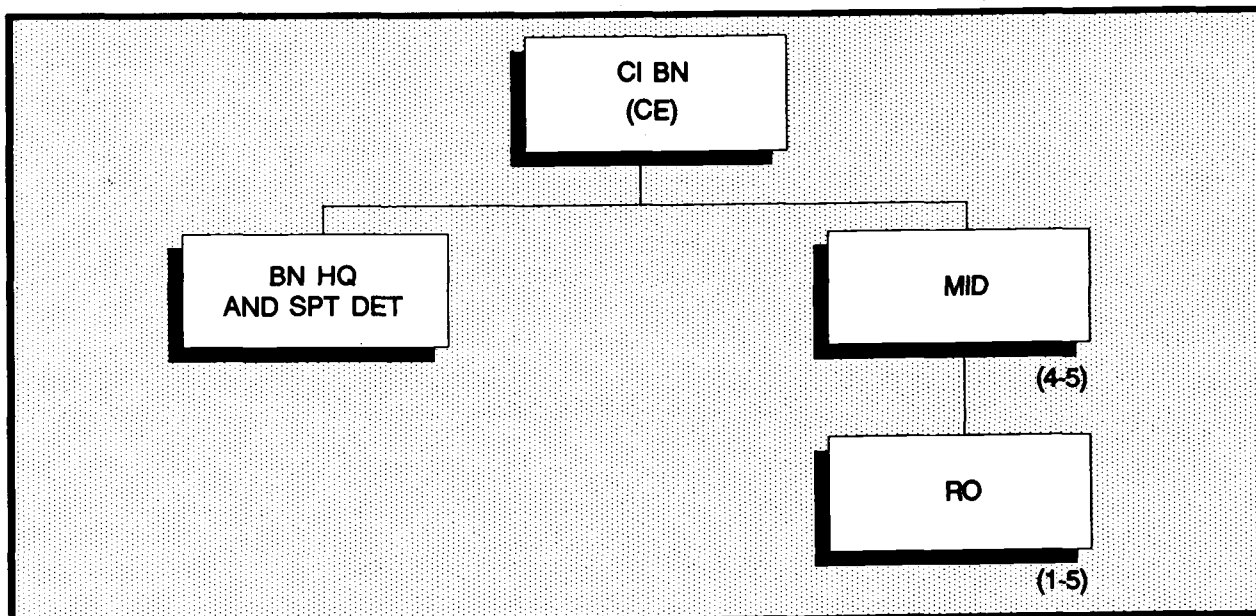


Figure 11-2. CI battalion (CE).

BATTALION HEADQUARTERS AND SUPPORT DETACHMENT

The battalion commander is the primary CE officer within the group and is directly responsible to the commander for CE matters. The battalion provides GS CE coverage to CONUS units, with elements deployed throughout CONUS. The headquarters support detachment consists of a detachment commander, noncommissioned officer in charge (NCOIC), and administrative personnel to perform routine personnel, administrative, and supply actions for personnel assigned to the battalion headquarters.

The battalion staff is organized on a standard basis, with an S1, S2, S3, S4, and RMO. Each section has responsibility for its functional area throughout the battalion.

The S1 provides administrative support to all battalion elements.

The S2 manages intelligence collection, to include processing intelligence through an internal battalion CI analysis cell. The S2 serves as the security manager and ensures that security information and battalion physical and personnel security needs are met.

The S3 manages the battalion's CE operations throughout the US, to include overseeing case control, administration, and execution of CE investigations. The S3 reviews and monitors the battalion's CI special

operational concepts, special operations, and current intelligence reports to obtain timely knowledge of FIS targeting and methods. The battalion also provides OPSEC advice and assistance to the Federal On-Site Inspection Agency (OSIA).

The S4 provides logistical support and administration to battalion elements, to include--

- o Property books.
- o Hand receipt creation and maintenance.
- o Logistical acquisitioned accountability management.
- o Coordination of local purchase and shelf-program acquisitions with installation activities and administration of battalion fleet operations, to include coordination with the General Services Administration.

MILITARY INTELLIGENCE DETACHMENT

The MID is the C² element of subordinate CI ROs in the conduct of the CI mission. The MID--

- o Conducts CI operations and activities to include CE investigations, operations, and services.
- o Supports C-SIGINT functions, SAPs, cryptofacility validations, cryptonet security evaluations, and personnel security screening program interviews.

- o Conducts operational coordination with local, state, and Federal law enforcement and intelligence agencies.

- o Conducts SAEDA and FIS threat briefings.

MILITARY INTELLIGENCE BATTALION
(COUNTERINTELLIGENCE)
(SECURITY)

The MI battalion (CI (security) provides integrated CI support to SAPs, selected DA or DOD contractors, and selected DOD and Federal agencies in CONUS and outside continental United States (OCONUS) areas, as directed by the commander. The battalion also provides dedicated CI support to US Army SOF, DNA, OSIA, and Strategic Defense Command.

ORGANIZATION

This battalion, shown at Figure 11-3, is organized with a headquarters and support detachment and separate MIDs and ROs tailored to support specific CI security mission requirements. In addition, the battalion has a special operations security support detachment (OSD) and a CI support detachment. As the unit is organized functionally (not geographically), each detachment is configured differently.

BATTALION HEADQUARTERS AND
SUPPORT DETACHMENT

The CI battalion (security) commander is responsible to the group commander for all activities of the battalion. The battalion commander is

authorized direct coordination with supported US Army elements and designated DOD agencies to accomplish the mission. The group commander issues directives, investigation authorizations, policy planning and programming guidance, approved programs, and resource allocations.

Although many of the subordinate detachments are in DS of CONUS-wide local commanders or program managers, the CI battalion (security) commander retains C². The headquarters and support detachment consists of a detachment commander, NCOIC, and administrative personnel to perform routine personnel, administrative, and supply actions for battalion headquarters personnel.

The S1 serves as the adjutant for the battalion and is the primary staff officer for all military and civilian personnel matters.

The S2 is responsible to the commander for all personnel, document, and information security of the battalion. The S2 serves as the battalion security manager and the badge and credential custodian. The S2 coordinates and conducts internal security inspections and appropriate security education programs.

The S3 coordinates C-HUMINT, C-SIGINT, plans, training, OPSEC advice and assistance, and CI operations in support of all US Army SAPs, treaty verifications, and the Strategic Defense Command.

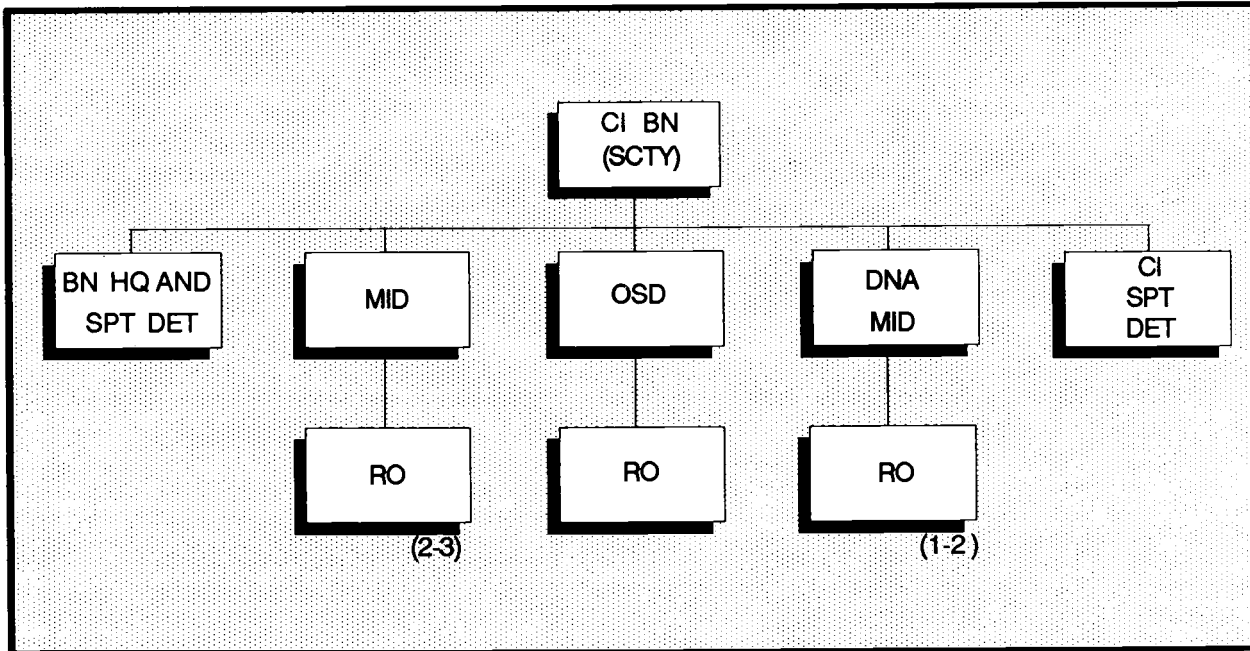


Figure 11-3. CI battalion (security) organization.

The S4 handles all matters pertaining to logistics, maintenance, and procurement. The S4 advises and assists the commander, staff, and subordinate commanders on all matters pertaining to supply, maintenance, movements, services, and miscellaneous logistical support of the battalion.

The RMO ensures that all matters pertaining to budget, manpower, or internal controls are effectively managed.

MILITARY INTELLIGENCE DETACHMENTS

The primary mission of the MIDs of the MI battalion (CI) (security) is to provide OPSEC support to DA and DOD SAPs. MID commanders exercise C² over ROs subordinate to the detachment. MIDs---

- o Conduct CI investigations and operations, as required.

- o Provide CI support to active and reserve Army units.

- o Conduct operational coordination with Federal, state, and local law enforcement, investigative, and intelligence organizations within assigned geographical areas of responsibility.

- o Are generally organized geographically to support SAP-related facilities, organizations, and operations within a designated area of responsibility.

- o Conduct CE operations and investigations and provide services for DA and other organizations, as directed by CG, INSCOM.

- o Provide OPSEC advice and assistance to SAPs in a GS role.

- o Keep the group headquarters informed on the SAP's activities and milestones.

- o Ensure that local hostile intelligence threat estimates are correct and tailored to SAP requirements.

- o Help local program managers prepare requests for TSCM, TEMPEST, and other security requirements.

- o Conduct all CI operations in accordance with applicable regulations, laws, and statutes as directed.

OPERATIONS SECURITY SUPPORT DETACHMENT

The OSD develops, plans, coordinates, and oversees CI OPSEC support to DOD SAPs in a DS role. The OSD receives its taskings through the chain of command from the Deputy Under Secretary of Defense (Policy). An OSD assessment team determines the feasibility and scope of the proposed SAP. Once granted SAP status, the OSD provides OPSEC advice and assistance from the conception of the SAP; through the research and development cycle, testing, and fielding; or through activation of the SAP. This enhanced security program is continued until the Vice Chief of Staff, US Army, decides to discontinue the SAP.

The chief of the DS teams subordinate to the OSD briefs the security posture of each

SAP during the annual SAP Oversight Committee and makes recommendations for the revalidation of the programs. The OSD acts as the "eyes and ears" of the Deputy Chief of Staff for Intelligence and the Technology Management Office, as they ensure adherence of adequate OPSEC procedures.

The OSD also coordinates with the Defense Investigative Service to ensure that DOD contractors comply with appropriate SAP personnel security procedure guides, DODD 5220.22M, and DODD 5220.22R. The OSD deals primarily with the DA staff, national level intelligence activities, MACOMs, national test facilities, and SAP program managers. The OSD does not have geographical AOs.

DEFENSE NUCLEAR AGENCY MILITARY INTELLIGENCE DETACHMENT

The DNA MID performs the same mission as the OSD but provides dedicated, tailored CI and OPSEC support services to DNA and its field activities at locations throughout CONUS.

COUNTERINTELLIGENCE SUPPORT DETACHMENT

Like the DNA MID, the CI support detachment provides dedicated OPSEC support. This detachment supports SOF during training missions. It provides CI and security investigation support to them as directed by DA. Although the detachment receives its operational taskings from DA, C² of the detachment remains with the

commander, MI battalion (CI) (security).

MILITARY INTELLIGENCE
BATTALION (COUNTERINTELLIGENCE)
(TECHNICAL)

The MI battalion (CI) (technical) provides technical services and training in support of DA and DOD organizations. It acts as proponent for Armywide technical CI investigations, services, and instructions. This battalion performs a GS mission for EAC units and conducts the following technical CI functions:

- o TSCM.
- o DAME support.
- o Polygraph testing.
- o Automatic data processing security service (ADPSS) support.

- o C-SIGINT monitoring.
- o TEMPEST inspecting and testing.

The CI battalion (technical), shown at Figure 11-4, includes a headquarters and support detachment, technical support detachment, polygraph detachment, ADPSS detachment, C-SIGINT detachment, and TEMPEST detachment.

**HEADQUARTERS AND SUPPORT
DETACHMENT**

The headquarters and support detachment has a battalion headquarters, support team, and training team. It provides C² of organic and attached units of elements; provides staff planning, communications, logistics, personnel, and administrative support; and provides CI support and specialized CI training.

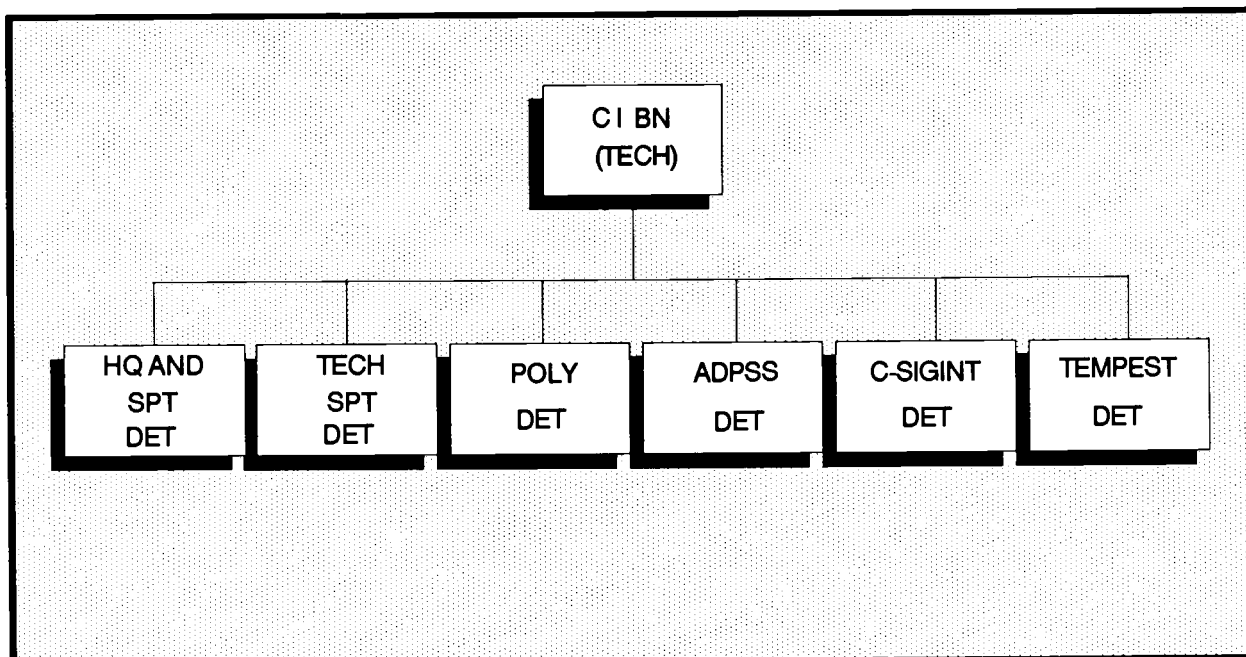


Figure 11-4. CI battalion (technical).

TECHNICAL SUPPORT DETACHMENT

The technical support detachment consists of a headquarters section, TSCM operations team, counter-measures support team, and a DAME team. (See FM 34-60A and FM 34-60.)

POLYGRAPH DETACHMENT

The polygraph detachment consists of a headquarters section, training team, operations team, and screening team. It schedules examinations, reviews case files, conducts examinations, and prepares reports to determine the truthfulness of gathered information and screening.

AUTOMATIC DATA PROCESSING SECURITY SERVICE DETACHMENT

The ADPSS detachment consists of a headquarters section, systems testing and evaluation branch, analysis team, and field evaluation team. The testing and evaluation branch is augmented by six additional mobilization designee evaluation teams in wartime.

The ADPSS detachment provides ADP security support in accordance with AR 380-380 to units within the AO. It does this by conducting full ADP security, engineering, and software analysis services and by providing advice and assistance. On request, it also provides technical assistance in CE investigations. The detachment

provides assistance and evaluation on automation security, including--

- o Security management.
- o Hardware security.
- o Communications security.
- o Information security.
- o Software security.
- o Procedural security.
- o Personnel security.
- o Physical and environment security.

COUNTER-SIGNALS INTELLIGENCE DETACHMENT

The C-SIGINT detachment consists of a detachment headquarters section, C-SIGINT teams, an electronic security (ELSEC) team, and cryptofacility inspection teams. It provides COMSEC, ELSEC, and ECCM advice and assistance.

Highly technical communications and EM collection and analysis equipment may be organic to the detachment to support selected research, development, test, and evaluation; other Army programs; and ECB C-SIGINT collection requirements.

TEMPEST DETACHMENT

The TEMPEST detachment consists of a headquarters section, testing team, and field evaluation team.

It inspects classified information-processing facilities to ensure compliance with and to detect deviation from approved installation practices as outlined in applicable technical bulletins and regulations. It also

conducts TEMPEST tests (laboratory-type examinations under controlled conditions) and field tests to determine the existence and nature of conducted or radiated signals from electronic equipment.

CHAPTER 12

THEATER INTELLIGENCE AND ELECTRONIC WARFARE COMMAND, CONTROL, AND COMMUNICATIONS AND SUPPORT ARRANGEMENTS

Commanders use C² to control, direct, and coordinate military forces to accomplish their missions. This process encompasses the personnel, equipment, communications, facilities, and procedures necessary to gather and analyze information; to plan for what is to be done; to issue instructions; and to supervise the execution of operations. Communications allows commanders to direct operations on the battlefield and to monitor their execution. It is a critical element to battlefield synchronization.

Within a theater, C² is maintained by a successful transition from peacetime operations to war or contingency operations. This transition cannot be accomplished without communications and the flow of essential information between the theater Army staff, EAC subordinate commanders, and combat commanders. Operations of the peacetime command structure must include planning and preparing for wartime contingencies to ensure the orderly transition required for continuity of operations.

The unique character of C² of military operations is that it must be effective under the extraordinary stress of battle in obscure situations, in compressed time, and under psychological and emotional

stress caused by battlefield losses. An operational level commander, like any tactical commander, must be able to "see" the battlefield in order to effectively tie the tenets of AirLand Battle together into a winning strategy. The effectiveness of the theater C² system can be measured by the extent to which the commander's intentions are carried out and the ability to cope quickly and effectively with changes in the situation.

The IEW structure at EAC supports the C² process. The intelligence assets of the MI brigade enable the commander to see the battlefield. Intelligence operations at EAC accomplish the five IEW tasks which produce operational level intelligence (see Chapter 1). Intelligence feeds the concept development and planning of the staff which result in the command estimate. Once developed, the command estimate is continuously evaluated for changes required because of shifts in the situation. Intelligence processes, such as IPB and CM, shift accordingly to answer the commander's PIR and IR to help maintain the currency and validity of the estimate.

INTELLIGENCE AND ELECTRONIC WARFARE COMMAND AND CONTROL

Specific C² arrangements between MI brigade (EAC) and

supported theater commanders are addressed in OPLANs and concept plans. These plans are formulated during the deliberate planning process. The C² system at EAC includes a specified Army headquarters for US Army CS and CSS units in the theater. To accomplish this, the EAC C² system provides long-range planning, centralized management, and decentralized execution.

IEW C² is the responsibility of the MI brigade (EAC) commander. It is supported by the commander's staff, subordinate commanders, and the relationships with higher echelons of command, the host nation, Allied services commands, and the supported US forces. (For details on commander and staff roles, see FM 101-5.) To accomplish the C² mission, the MI brigade (EAC) commander ensures--

- o Effective mission accomplishment with the resources on-hand.

- o C² functional responsibilities are clearly defined.

- o Clear command and reporting channels are established (for example, between the EACIC and supported commands).

- o Assignment of IEW missions and tasks is consistent with the unique capabilities of the units to which IEW assets are assigned.

- o Continuous coordination is maintained among staff elements of all EAC MI units

and the brigade.

- o Information management and communications systems are integrated so that the theater commander's PIR and IR are acted upon quickly.

- o Detailed plans are made for an orderly transition from peacetime to wartime or contingency operations.

The MI brigade (EAC) supports the C² for EAC IEW operations by--

- o Providing a C² headquarters for Army IEW support to theater commanders. These commanders may include Allied Army groups with OPCON of US Army forces, Allied regional commands, a unified and specified command, and separate US Army units. There may also be a JTF command during contingency operations.

- o Conducting IEW operations in support of all theater operations.

- o Managing IEW resources required for collecting, analyzing, producing, and disseminating all-source intelligence and CI within the theater.

AUTOMATION SUPPORT TO COMMAND AND CONTROL

Tremendous amounts of information flow into the theater headquarters. In order to be of value to the commanders decision-making process, this information must be routed to the respective staff sections, processed in a timely manner, and incorporated

into the staff estimate. Reports, including periodic situation reports, and other battle information systems used by the staff are a means of monitoring the battle.

Maneuver operations generate their own battlefield information which is usually specific to the event and where it occurred on the battlefield. The reporting of operations occurring simultaneously provides the commander with a sense of how his campaign plan is being executed. Intelligence collection operations complement this reporting because they are focused on enemy operations.

Situation updates peak during mission analysis when the enemy and friendly dispositions and status must be known as accurately as possible. Coordinating all this information provides the commander with the certainty he requires to direct friendly operations and to maintain the balance required for close, deep, and rear portions of those operations. The entire process equates to effective battlefield information management and supports theater C².

Theater automation systems must be capable of managing the significant amounts of information required at EAC. The automation support to C² of an MI brigade is enormous. Its information-processing systems must be compatible between the EACIC, the brigade headquarters, and subordinate units. Secure communications

equipment is essential to the passage of sensitive intelligence information and for the protection of scarce assets involved in other IEW support operations.

The automated systems of the MI brigade C² system must be compatible with the theater C² system to ensure interoperability. Automated systems involved with intelligence processing must have integrated switching, storage, and data retrieval capabilities which allow analysts to function with minimal delays. They should be hardened for protection and equipped with power sources that allow for continuous operations. Interoperability with the intelligence C² systems of joint and combined commands will not occur without prior planning of how automation support is to be provided to these commands.

COMMUNICATIONS SUPPORT

Theater Army MSC headquarters (for example, HHC, MI brigade) support is provided by an affiliated signal operations platoon from an area signal battalion which is part of the theater signal command, Army. This platoon provides circuit switching facilities and transmission equipment for connectivity into the area communications systems. The MI brigade (EAC) provides terminal equipment, such as telephones, facsimile, and data devices. All other MI users are provided access to the area communications systems on an area basis as designated by the theater commander. The MI

brigade (EAC) and its battalions have organic terminal amplitude modulation (AM), and/or single side band (SSB), and other secure communications capabilities.

EXTERNAL COMMUNICATIONS SUPPORT

External communications support should be integrated into and evaluated during MI brigade CP exercises and FTXs to ensure that training conducted in peacetime prepares the unit for combat. The C-E annex of the brigade OPLAN and OPOD identifies the specific communications personnel, equipment, and nets that subordinate signal units are required to provide the MI brigade (EAC), as well as other major subordinate units of the brigade.

SUPPORT ARRANGEMENTS

All support arrangements for the theater IEW force are established in accordance with theater war plans and other appropriate documentation. The requirement for these arrangements is based on the mission assigned to the MI brigade (EAC) and subordinate units. Their missions include IEW DS, GS, R, or GS-R to--

- o US Army corps.
- o US joint and unified commands.
- o Land component commands.
- o US Army units at EAC.
- o Allied and combined commands (occasionally).

These missions describe in detail the IEW support responsibilities for an MI unit. They also establish an MI unit's relationship to a supported force or other MI units. Standard tactical support missions may affect the organizational structure and the command relationships that result from employment of IEW assets in specific support missions.

Administrative and logistic support to MI brigades (EAC) will be provided by TAACOM and its support groups or by the commander of the Army component of a JTF to which IEW assets may be employed. Support relationships in peacetime should be as closely aligned with wartime requirements as possible. This is necessary to minimize the changes in a transition from peace to war operations.

APPENDIX

ARMY TECHNICAL CONTROL AND ANALYSIS ELEMENT

The Army TCAE provides support and guidance to Army tactical SIGINT units. The Army TCAE is the highest echelon in the Army's technical control architecture and serves as the single POC at NSA for Army theater and tactical forces. This technical architecture extends through TCAEs located at theater or MACOM to corps and down through division, ACR, and separate brigade TCAEs. Figure A-1 shows this structure.

The Army TCAE is collocated with NSA. It performs quality control of reported intelligence information and technical data exchange under the technical supervision of target area offices within NSA. Technical data and technical

taskings from the Army TCAE to EAC and ECB units are sent in the form of SIGINT technical messages. Other messages provide guidance to tactical units in the form of SIGINT operations policy, directives, and doctrine.

MISSION AND FUNCTIONS

The mission of the Army TCAE is to provide SIGINT technical support to the Army's theater and tactical forces in peace and war. The Army TCAE is divided into operational teams and sections to provide tailored support to each EAC or ECB SIGINT unit, based on specific operational and training needs. The Army TCAE provides DS to TCAEs and ECB units that do not have a

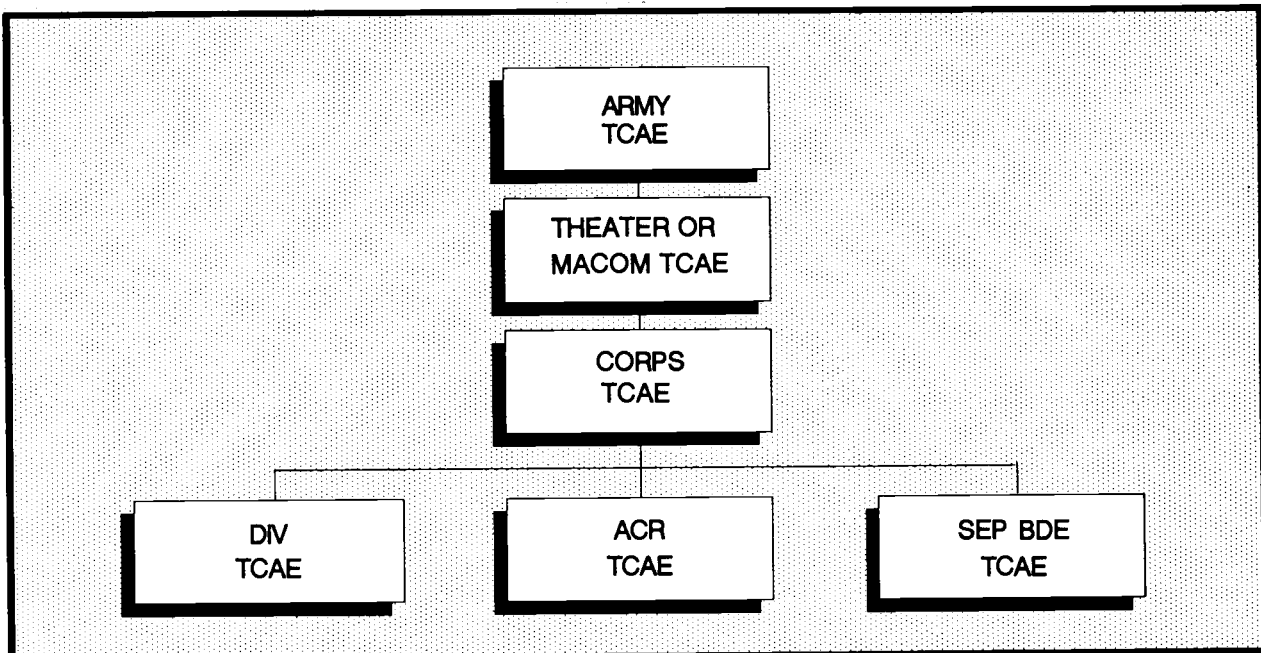


Figure A-1. Army technical control and analysis element architecture.

theater EAC TCAE. The Army TCAE--

- o Serves as the single POC between NSA and the Army's EAC and ECB forces for providing technical information to support SIGINT operations.

- o Monitors intercept tasking data base (ITDB) submissions to ensure that the commander's PIR and IR have been clearly stated.

- o Provides quality control feedback on SIGINT reporting, ITDBs, and CM matters in support of the EAC TCAEs and other tactical SIGINT units not supported by an EAC TCAE.

- o Acts as the TROJAN system manager, network manager, and network security manager. (TROJAN is a program to facilitate SIGINT operations.)

- o Operates the TROJAN system control desk which oversees the TROJAN switching network and the allocation of system resources to the field.

- o Services requests for technical information to support EAC and ECB SIGINT operations by providing tailored data extracted from resident NSA data bases, working aids, and training aids.

- o Assists SIGINT units in developing collection, processing, analysis, and reporting philosophies and techniques.

- o Participates on selected NSA field assistance visits for

Army SIGINT units. Coordinates for the unit concerned to resolve technical issues addressed during such visits.

- o Under the provisions of AR 350-3, assists in providing general analytic and language training and any location-specific training necessary to enhance signals collection, processing, analysis, and reporting techniques at the tactical level. This can be accomplished to meet the requirements of a deploying unit or to upgrade soldier skills during peacetime operations.

- o Identifies and provides information on potential collection opportunities for SIGINT units conducting training or operational missions. This five-step process entails--

- Providing tip-offs of current target activity.

- Providing updates to target methods of operation and technical data to support collection.

- Predicting target activity.

- Providing unit-specific tailored information.

- Evaluating the effectiveness of the overall process.

ORGANIZATION AND OPERATIONS

The Army TCAE, shown at Figure A-2, is organized to provide SIGINT technical

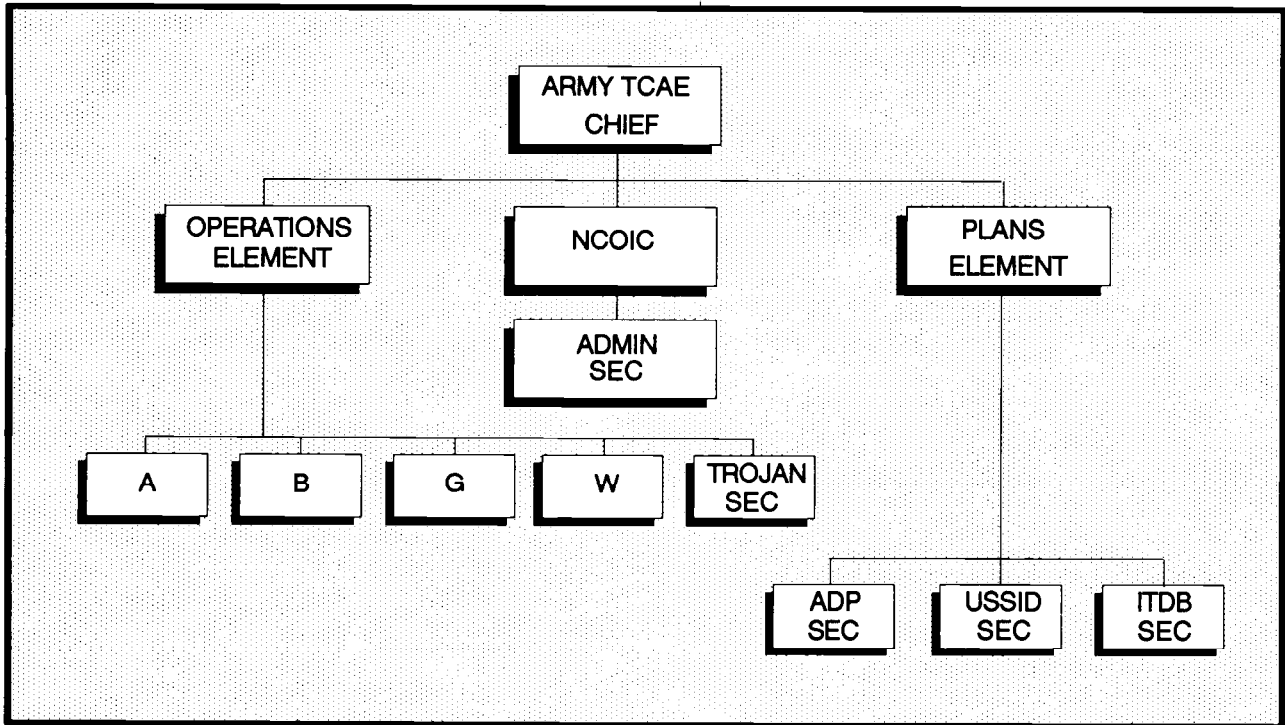


Figure A-2. Army TCAE organization.

support to Army theater and tactical forces in peace and war.

OPERATIONS ELEMENT

The operations element is divided into four support teams and a TROJAN section in which the operations officer directs and supervises operations in each team and section. The operations element maintains status on RIIs and tracks them to ensure timely support is provided to Army SIGINT organizations in every OCONUS, theater, CONUS, and SIGINT unit which might be deployed to support contingency operations.

Support Teams

Team A supports all SIGINT units in the European Theater and United States Army Forces

Command (FORSCOM) with European contingency missions. Team B supports all SIGINT units on the Korean Peninsula and FORSCOM units with a Korean, Pacific, or Northeast Asia mission. Team G supports primarily USSOUTHCOM, United States Central Command (CENTCOM), and FORSCOM SIGINT units with a mission in Central or South America and Southwest Asia. Team W supports all SIGINT units for their ELINT requirements.

To facilitate providing technical support to the Army's SIGINT units, theater and MACOM TCAEs have been designated as follows:

- o Army Europe TCAE (AE-TCAE), which supports United States Army, Europe (USAREUR).

- o Army Forces TCAE (AF-TCAE), which supports FORSCOM.

- o Army Korea TCAE (AK-TCAE), which supports Eighth United States Army (EUSA).

- o Army South TCAE (AS-TCAE), which supports USSOUTHCOM.

- o Southwest Asia TCAE (SWA-TCAE), which supports CENTCOM.

TROJAN Section

The TROJAN section publishes periodic TROJAN-related reports and supervises the operations of the TROJAN system control desk. Exercising OPCON of the worldwide TROJAN switching network, the TROJAN system control desk--

- o Monitors system status.

- o Acts as the POC for allocating and switching resources to ensure adequate sharing between MACOM and theater TCAEs (based on mission needs).

- o Assists units in obtaining the required maintenance support for TROJAN operations as needed.

This last function is performed 24 hours per day, 7 days per week. The Army TCAE is the TROJAN system manager, network manager, and network security manager. At the theater and MACOM levels, TROJAN system management will

be exercised by the designated theater and MACOM TCAEs. In accomplishing this task, these TCAEs--

- o Maintain system operational readiness data.

- o Assess system operations.

- o Implement troubleshooting procedures when required.

- o Assist in implementation and system restoration.

- o Initiate or recommend necessary changes in operating and maintenance procedures or logistic support.

PLANS ELEMENT

The plans element is responsible for long-term planning and direction for the Army TCAE. This is done through an internal plan which brings together Army doctrine, the Army Intelligence Master Plan, and TCAE operations. The plans officer also supervises the ADP section, US Signal Intelligence Directive (USSID) section, and ITDB section.

Automatic Data Processing Section

The ADP section plans and supports Army TCAE ADP internal needs. External support to Army SIGINT organizations is focused on developing specialized programs and standardized applications to maximize the existing ADP technology currently fielded. To further enhance the depth of technical support to Army SIGINT organizations, the ADP

section works closely with NSA to gain data base access for the Army TCAE through the use of local area networks.

US Signal Intelligence Directive Section

The USSID section establishes, issues, and ensures accuracy of all USSID accounts held by Army SIGINT organizations. This section validates recommended changes to existing directives. It coordinates extensively with INSCOM and DA on all matters pertaining to Army policy and

guidance related to USSID which may affect Army SIGINT units.

Intercept Tasking Data Base Section

The ITDB section monitors the input of the tactical commander's PIR and IR by subordinate TCAEs for compliance with existing USSIDs. It tracks SIGINT resources held in the field and ensures that the technical reports reflect the technical information needs of the organization.

GLOSSARY

Acronyms and Abbreviations

ACR	armored cavalry regiment
ADA	air defense artillery
admin	administration
ADP	automatic data processing
ADPSS	automatic data processing security service
AE-TCAE	Army Europe technical control and analysis element
AF-TCAE	Army Forces technical control and analysis element
AI	area of interest
AK-TCAE	Army Korea technical control and analysis element
AM	amplitude modulation
anal	analysis
AO	area of operation
ARLO	aerial reconnaissance liaison officer
ARSOF	Army Special Operations Forces
AS-TCAE	Army South technical control and analysis element
ASG	area support group
AV	audio-visual
avn	aviation
AWOL	absent without leave
bde	brigade
bn	battalion
C ²	command and control
C ³	command, control, and communications
CCMEC	combined captured materiel exploitation center
C-E	communications-electronics
C&E	collection and exploitation
C&P	control and processing
CE	counterespionage
CED	captured enemy document
CEE	captured enemy equipment
CEM	captured enemy materiel
CENTCOM	United States Central Command
CFI	cryptofacility inspection
CG	commanding general
CI	counterintelligence
C-HUMINT	counter-human intelligence
C-IMINT	counter-imagery intelligence
C-SIGINT	counter-signals intelligence
CID	Criminal Investigation Division
CINC	Commander in Chief
CJA	command judge advocate
CM	collection management
CM&A	collection management and analysis

CM&D	collection management and dissemination
CMEC	captured materiel exploitation center
CMO	collection management officer
co	company
coll	collection
COMINT	communications intelligence
comm	communications
COMMZ	communications zone
COMSEC	communications security
COMTECHREP	complementary technical report
CONUS	continental United States
CP	command post
CS	combat support
CSG	cryptologic support group
CSM	command sergeant major
CSS	combat service support
CTOCSE	corps tactical operations center support element
DA	Department of the Army
DAME	defense against methods of entry
DCSINT	Deputy Chief of Staff, Intelligence
det	detachment
DETECHREP	detailed technical report
DF	direction finding
DIA	Defense Intelligence Agency
DISUM	daily intelligence summary
div	division
DNA	Defense Nuclear Agency
doc	document
DOD	Department of Defense
DS	direct support
DTOCSE	division tactical operations center support element
EAC	echelons above corps
EACIC	echelons above corps intelligence center
ECB	echelons corps and below
ECCM	electronic counter-countermeasures
ECM	electronic countermeasures
ELINT	electronic intelligence
ELSEC	electronic security
EM	electromagnetic
E-O	electro-optical
EOD	explosive ordnance disposal
EPB	electronic preparation of the battlefield
EPW	enemy prisoner of war
equip	equipment
ESM	electronic warfare support measures
EUSA	Eighth United States Army
EW	electronic warfare
EW/IS	electronic warfare/intercept system

ISG	first sergeant
FIS	foreign intelligence service
FM	field manual
FORSCOM	United States Army Forces Command
FTX	field training exercise
G1	Deputy Chief of Staff, Personnel
G2	Deputy Chief of Staff, Intelligence
G3	Deputy Chief of Staff, Operations and Plans
G4	Deputy Chief of Staff, Logistics
G5	Deputy Chief of Staff, Civil Affairs
gp	group
GS	general support
GS-R	general support-reinforcing
HF	high frequency
HHC	headquarters and headquarters company
HHD	headquarters and headquarters detachment
HHSC	headquarters and headquarters service company
HPT	high-payoff target
HQ	headquarters
HUMINT	human intelligence
HVT	high-value target
IA	imagery analysis
I&E	interrogation and exploitation
I&W	indications and warning
IEW	intelligence and electronic warfare
IIR	intelligence information report
IMINT	imagery intelligence
IMO	information management office
IOH	indication of hostility
INSCOM	US Army Intelligence and Security Command
INTSUM	intelligence summary
intel	intelligence
intg	interrogation
IPB	intelligence preparation of the battlefield
IPBS	intelligence property book section
IR	information requirements
ISE	intelligence support element
IST	intelligence support team
ITDB	intercept tasking data base
J2	Joint Intelligence Directorate
J3	Operations Directorate
JCMEC	joint captured materiel exploitation center
JIC	Joint Intelligence Center
JIF	joint interrogation facility
JSCP	Joint Strategic Capabilities Plan
JTF	joint task force
km	kilometer

LIC	low-intensity conflict
LLSO	low-level source operations
log	logistics
LRS	long-range surveillance
MACOM	major Army command
MAGIIC	mobile army ground imagery interpretation center
maint	maintenance
MASINT	measurement and signature intelligence
MCM	Manual for Courts Martial
MDCI	multidiscipline counterintelligence
mech	mechanical
med	medical
MEDCOM	Medical Command
METL	mission-essential tasks list
METT-T	mission, enemy, terrain, troops, and time available
MI	military intelligence
MID	military intelligence detachment
MIJI	meaconing, intrusion, jamming, and interference
MSC	major subordinate command
MTOE	modified table of organization and equipment
MP	military police
natl	national
NBC	nuclear, biological, and chemical
NCA	National Command Authorities
NCO	noncommissioned officer
NCOIC	noncommissioned officer in charge
NETCAP	national exploitation of tactical capabilities
NSA	National Security Agency
OB	order of battle
OCONUS	outside continental United States
OPCON	operational control
OPLAN	operation plan
OPORD	operation order
ops	operations
OPSEC	operations security
OSD	operations security support detachment
OSIA	On-Site Inspection Agency
PAO	public affairs officer
pers	personnel
PERSCOM	United States Army Total Personnel Command
phys	physical
PIR	priority intelligence requirements
plt	platoon
POC	point of contact
poly	polygraph
PRETECHREP	preliminary technical report
PSYOP	psychological operations

R	reinforcing
RC	Reserve Components
REC	radio electronic combat
repro	reproduction
RFA	request for assistance
RII	request for intelligence information
RMO	resource management office
RO	resident office
RSSC	regional SIGINT support center
S1	Adjutant (US Army)
S2	Intelligence Officer
S3	Operations and Training Officer
S4	Supply Officer
S&TI	scientific and technical intelligence
SAEDA	Subversion and Espionage Directed Against US Army
SALUTE	size, activity, location, unit, time, and equipment
SAM	surface-to-air missile
SAP	special access program
SCI	sensitive compartmented information
SCIF	sensitive compartmented information facility
scty	security
SDT	single discipline team
SDT-HUMINT	single discipline team-human intelligence
SDT-IMINT	single discipline team-imagery intelligence
SDT-SIGINT	single discipline team-signals intelligence
sec	section
sep	separate
sep bde	separate brigade
SEP-EAC	separate-echelons above corps
SFG	special forces group
SHF	super high frequency
SIGINT	signals intelligence
SIO	senior intelligence officer
SME	subject matter expert
SOC	special operations command
SOF	special operations forces
SOFA	status of forces agreement
SOI	signal operation instructions
spt	support
SSB	single side band
SSM	surface-to-surface missile
SSO	special security office
SSP	single source process
SSP-H	single source processor-HUMINT
SSP-I	single source processor-IMINT
SSP-S	single source processor-SIGINT
SSP-T	single source processor-TECHINT
STANAG	standardization agreement
SVC	service
SWA-TCAE	Southwest Asia technical control and analysis element

TAACOM	Theater Army Area Command
TACC	Theater Army Communications Command
TACS	Theater Army Communications System
TAREX	target exploitation
TASOSC	Theater Army Special Operations Support Command
TCAE	technical control and analysis element
TDA	table of distribution and allowances
tech	technical
TECHINT	technical intelligence
TENCAP	tactical exploitation of national capabilities
tm	team
TOC	tactical operations center
TOE	table of organization and equipment
TRADOC	United States Army Training and Doctrine Command
TRS	tactical reconnaissance support
TSCM	technical surveillance countermeasures
TSN	theater support node
TTP	tactics, techniques, and procedures
US	United States
USAF	United States Air Force
USAICS	United States Army Intelligence Center and School
USAREUR	United States Army, Europe
USMC	United States Marine Corps
USSID	United States Signal Intelligence Directive
WARM	Wartime Reserve Mode
wpn	weapons
XO	executive officer
xplt	exploitation

References

REQUIRED PUBLICATIONS

Required publications are sources that users must read in order to understand or to comply with this publication.

Field Manuals (FMs)

- 34-1 Intelligence and Electronic Warfare Operations
- 34-2 Collection Management
- 34-3 Intelligence Analysis
- 34-40 (U) Electronic Warfare Operations, Secret
- 34-52 Intelligence Interrogation
- 34-54 Battlefield Technical Intelligence
- 34-60 Counterintelligence
- 34-60A (U) Counterintelligence Operations, Secret/NOFORN
- 34-130 Intelligence Preparation of the Battlefield
- 100-5 Operations
- 100-15 Corps Operations
- 100-16 Support Operations: Echelons Above Corps
- 100-20 Low Intensity Conflict

Training Circulars (TCs)

- 34-5 (U) Human Intelligence Operations, Secret
- 34-55 Imagery Intelligence

RELATED PUBLICATIONS

Related publications are sources of additional information. They are not required in order to understand this publication.

Army Regulations (ARs)

- 350-1 Army Training
- 350-3 Tactical Intelligence Readiness Training (REDTRAIN)
- 380-40 (U) Policy for Safeguarding and Controlling COMSEC Information, Confidential
- 380-380 Automation Security
- 381-10 US Army Intelligence Activities
- 381-12 Subversion and Espionage Directed Against US Army (SAEDA)
- 381-14 (U) Technical Surveillance Countermeasures (TSCM), Secret
- 381-20 US Army Counterintelligence Activities
- 381-47 (U) US Army Counterespionage Activities, Secret/NOFORN
- 611-6 Army Linguistic Management
- 625-17 Wartime Reserve Modes (WARM), Secret/NOFORN

Field Manuals (FMs)

- 3-101 Chemical Staffs and Units
- 6-20-10 Targeting Process
- 25-100 Training the Force
- 34-25 Corps Intelligence and Electronic Warfare Operations
- 34-36 Special Operations Forces Intelligence and Electronic Warfare Operations
- 34-81 Weather Support for Army Tactical Operations (AFM 105-4)
- 71-100 Armored and Mechanized Division Operations (How to Fight)
- 90-2 Battlefield Deception
- 90-2A (U) Electronic Deception, Confidential

- 101-5 Staff Organization and Operations
- 101-5-1 Operational Terms and Symbols
- Defense Intelligence Agency Manuals (DIAMs)
- 50-3 (U) Physical Security Standards for Sensitive
Compartmented Information Facilities, For Official
Use Only
- 50-4 (U) Security of Compartmented Security Operations,
Confidential
- 50-5 (U) Sensitive Compartmented Information (SCI)
Contractor Administrative Security, Vol 1,
Confidential
- DJS-1400-7-85 (U) SATRAN: Satellite Reconnaissance Advance
Notice, Secret

Miscellaneous Publications

MISC Pub 9-2 Manual for Courts-Martial, United States, 1984

DOD Directives (DODDs)

5220.22M Industrial Security Manual

5220.22R Industrial Security Regulation

JCS Pub No. 1-02 Department of Defense Dictionary of Military
and Associated Terms

JCS Pub No. 2 (U) Unified Action Armed Forces (UNAAF),
Confidential

NATO STANAG 2084 Handling and Reporting of Captured Enemy
Equipment and Documents

STANAGs may be obtained from the Naval Publications and Forms
Center (NPFC), 5801 Tabor Avenue, Philadelphia, PA 19120. Use
DD Form 1425 to requisition documents.

INDEX

- ADP security
 - as provided by ADPSS detachment, 11-11
 - support for CONUS MI groups, 11-1
 - technical support provided by battalion, 6-1
- ADPSS. See automatic data processing security service.
- AE-TCAE. See Army Europe-technical control and analysis element. See also TCAE.
- aerial reconnaissance liaison officer (ARLO)
 - provided by HHD, 9-2
- AF-TCAE. See Army Force-technical control and analysis element. See also TCAE.
- agility
 - tenet of AirLand Battle, 1-6
- AI. See area of interest.
- AirLand Battle
 - doctrine requiring IEW system support, 1-1
 - IEW operations support, 1-6
 - levels of warfare, 1-2
- AK-TCAE. See Army Korea-technical control and analysis element. See also TCAE.
- all-source intelligence products
 - CMEC inputs, 8-5
 - connectivity and interface, 1-8
- all-source production team
 - intelligence support element, 4-10
 - production section, 4-7
 - single discipline team, 4-8
- analysis
 - as provided by ADPSS detachment, 11-11
 - basic function of CI mission, 10-3
 - by CI team, 6-2
 - by S2 for intelligence collection, 11-6
 - by strategic imagery detachment, 4-14
 - by SDTs, 4-8 through 4-11
 - COMINT information, 5-4
 - during situation updates, 12-3
 - EAC-TCAE, 5-7
 - function of CI element, 2-1
 - function of CONUS MI group, 11-1, 11-2
 - function of current intelligence element, 2-2
 - function of missions, 2-7
 - function of producers, 2-4
 - in EAC mission, 4-3
 - in processing of CI requirements, 6-10
 - interface between EAC and ECB 1-9
 - MI battalion support operations, 4-1
 - MI Co (C&P) 5-6
 - of CEM, 8-3, 8-5
 - of imagery exploitation requirements, 9-1, 9-2
 - of target development factors 1-7
 - of TECHINT S&TI battalions, 8-8
 - of the multidiscipline threat 6-1
 - of threat in offensive missions, 10-5
 - platoon, 5-5,
 - process at ISE, 4-13
 - provided for SIGINT units, A-2
- antiterrorism
 - in combatting terrorism, 10-5
- AO. See area of operations.

area of interest (AI)
 definition of, 1-5
 IEW structure support, 2-4
 special staff officer
 functions, 3-3
 support for theater, 1-5
 tasked to EACIC, 4-4
 warning to corps, 1-7

area of operations (AO)
 CI operations in, 6-4,
 CI special operations teams
 in, 6-5
 CMEC mission in, 8-5, 8-7
 CONUS MI group support
 requirements, 11-1
 definition of, 1-5
 deployment in case of war,
 8-1
 DF team operations in, 5-5
 document exploitation in
 theater, 6-1
 duties of PAO in, 3-4
 EACIC tasking requirements in,
 4-4
 EW resource allocation forces,
 1-8
 IEW assets in theater, 3-8
 IEW structure support, 2-4
 imagery data base in, 4-17
 in theater IPB, 1-7
 regional tailoring in, 2-9
 PIR and IR integration in
 support of theater, 4-7
 polygraph support in, 6-2,
 protective measures in, 10-5
 SIGINT assets in, 5-3
 TSCM teams support in, 6-3,
 within the theater AO for--
 CI assets in teams, 10-4
 MI battalion (I&E), 7-1,
 7-3, 7-4
 MI battalion (IA), 9-5
 MI battalion (CI), 10-1,
 10-2
 MI company (interrogation)
 7-3

ARLO. See aerial reconnaissance
 liaison officer.

Army Europe-technical control
 and analysis element (AE-TCAE)
 in support of USAREUR, A-3
 See also TCAE.

Army Force-technical control and
 analysis element (AF-TCAE)
 in support of FORSCOM, A-4
 See also TCAE.

Army Korea-technical control and
 analysis element (AK-TCAE)
 in support of EUSA, A-4
 See also TCAE.

Army South-technical control and
 analysis element (AS-TCAE)
 in support of USSOUTHCOM,
 A-4, See also TCAE.

Army technical control and
 analysis element (TCAE),
 A-1 through A-5
 EAC POC for, 5-8

Army Special Operations Forces
 (ARSOF)
 functions of, 2-10

ARSOF. See Army Special
 Operations Forces.

asset management
 functions of, 4-4

AS-TCAE. See Army South-
 technical control and analysis
 element. See also TCAE.

automatic data processing
 security service (ADPSS)
 part of CI battalion, 11-10

aviation section
 function of, 3-4

basic cover library
 organization, functions, and
 abilities of, 4-16, 4-17
 supported by operations
 section, 9-4

battlefield
 analytical support to, 4-1
 commanders' views of the, 1-5
 communications on the 12-1
 G3's responsibilities on the,
 2-5
 IEW system operating on the,
 1-6
 IPB of, 1-7
 maneuver operations on the,
 12-3
 MASINT analysis of, 2-7
 religious support on, 3-4
 security and deception on,
 1-8
 strategic collection means,
 1-9
 TCAE performs EPB of, 5-7
 TECHINT, 8-1 through 8-8
 TECHINT requirements, 4-14
 victory on the, 1-1

battlefield operating systems
 intelligence, one of seven
 systems, 1-6

battlefield TECHINT
 mobilization and deployment
 of, 4-14

black, gray, and white lists,
 CI team production of, 4-9
 used in CI support to rear
 operations, 10-5

C². See command and control

C&E. See collection and
 exploitation.

campaign plan
 achieving depth to support,
 2-9
 achieving theater's strategic
 goals, 1-1
 intelligence support to, 1-6
 reporting of operations as an
 aid to the commander, 12-3
 sequence of operations which
 comprise, 2-6
 theater IEW support to, 1-7

campaign planning
 defining the organization of
 resources required in, 1-3
 staff as an integral part of,
 4-4

capabilities
 analyzing enemy military, 1-4
 CI operations, 10-3
 CI team collection, 6-10
 considerations of national,
 1-1
 during wartime, 11-3
 EAC forces collection, 2-10
 EAC IEW organizational and
 operational, 2-8
 enemy military, 1-3
 friendly and enemy relation
 to, 1-7
 IEW assets in combat with,
 2-5
 integrated into weather and
 and terrain conditions, 8-4
 intelligence systems, 1-9
 of automated systems, 12-3
 of enemy combat materiel, 8-1
 of enemy mobility, 8-4
 of enemy weapon systems, 8-7
 of HUMINT techniques, 10-4
 of IA at EAC, ECB, and
 operational echelons, 2-7
 of MI brigade (EAC), 12-3
 of units with IEW assets, 12-2
 unit operations and current,
 3-5

captured enemy document (CED)
 exploitation of, 2-6, 6-7
 operational interface of, 6-8
 SIGINT related, 5-7
 translation and exploitation
 of, 7-1, 8-1

captured enemy equipment (CEE)
 destruction of, 8-4

**captured materiel exploitation
 center (CMEC)**
 C-E platoon support, 8-4
 in wartime, 8-1

intelligence support platoon support, 8-4
mission of, 8-5 through 8-8
NBC and medical intelligence platoon support, 8-4
responsibilities of TECHINT company, 8-3, 8-4
technical reports publications, 8-8

C-E. See communications-electronics.

CE. See counterespionage.

CEE. See captured enemy equipment.

CED. See captured enemy document.

centers of gravity
identification of, 1-3, 4-4
operational, 1-4
orienting on, 1-6
units maneuver against enemy, 1-2
yields of, 1-7

CI. See counterintelligence.

CJA. See command judge advocate.

CM. See collection management.

CM&A. See collection management and analysis.

CM&D. See collection management and dissemination.

CMEC. See captured materiel exploitation center.

CMO. See collection management officer.

collection
analysis for Morse and non-Morse, 5-6

an MDCI function, 10-2 through 10-4
as part of the C&E organization, 6-1 through 6-10
CMEC mission, 8-5, 8-7
EM equipment, 11-11
functions and requirements at EAC center structure, 4-4 through 4-16
HF COMINT, 5-4
in response to ECB tactical units, 11-2
intelligence reporting, 12-3
requirements to corps G2, 1-8
responsibility of Army TCAE, A-2
responsibilities of MI Bn (I&E), 7-1
responsibilities of MI Co (Interrogation) (GS), 7-3
responsibility of S2, 11-6
requirements, 11-11
specific acquisition tasks for SDT's, 5-6 through 5-10
specific intelligence, 4-2
time-critical, 1-9
within IEW structure in support of EAC, 2-1 through 2-10

collection and exploitation (C&E)
MI battalion (C&E) functions, 7-1, 7-3, 10-1
organization, responsibilities and functions, 6-1 through 6-10

collection and processing (C&P) company
organization, responsibilities and functions, 5-1 through 5-11

collection management (CM)
as intelligence process, 12-1
connectivity of time-critical, 1-9
EAC center structure for, 4-4
EAC staff coordination of, 2-5
EACIC center for, 2-8

dissemination, 5-10
 in support of EAC TCAEs and
 SIGINT units, A-2
 relationship with production,
 4-13
 responsibilities of MI Bn
 (IA), 9-2
 SDT-SIGINT tasking through,
 5-7
 sensor cueing in support of
 EAC, 4-1, 4-3
 SIGINT technical support, 5-6
 SOF plan for, 2-11
 TECHINT team coordination of,
 4-10, 4-11

collection management and
 analysis (CM&A)
 mission of, 5-5
 structure at EAC SIGINT, 5-8
 structure in MI Co (SIGINT),
 5-4
 TCAE interface with, 5-10

collection management and
 dissemination (CM&D)
 CI team coordination with,
 4-9
 mission at EAC center
 structure, 4-4
 production interface with,
 6-10
 reporting of asset status to,
 5-7
 section of EACIC supporting
 theater, 2-2
 SDT's coordination with, 4-10
 through 4-13
 SDT-SIGINT feedback to, 5-10
 tasking interface at EAC,
 4-7

collection management officer
 (CMO)
 as a central manager, 2-5

collection plans
 EAC, 1-8
 senior commands, 2-4

collection requirements
 CM&D managing of, 4-7
 G2's responsibility to, 2-5
 ISE interface for, 4-13
 passing of theater G2, 1-8
 process of formulating, 4-4
 SDTs, 4-8, 4-10
 TCAE dissemination of, 5-10

combat service support (CSS)
 at EAC, 12-2
 MI Bde (EAC) staff
 responsibilities of, 3-1
 units providing support to,
 3-8

combatting terrorism
 support role of CI in, 10-1,
 10-5

command group
 organization of MI Bn (CI)
 HHC, 10-2
 part of MI organization at
 EAC, 3-1

command judge advocate (CJA)
 as part of EAC staff, 3-3, 3-4

communications-electronics (C-E)
 annex to brigade OPLAN and
 OPORD, 12-4
 as communications link with
 MI battalion (IA), 9-4
 as part of HHD, 9-2
 in TAREX operations, 7-3
 organization functions and
 responsibilities, 3-6, 5-2,
 5-3, 6-2, 6-6
 technical expertise to CMEC
 and TECHINT teams, 8-4

command and control (C²)
 administrative services, 6-1
 automated support for, 12-3
 target development on enemy,
 1-7
 definition of, 12-1

function of MI Bn (CI) HHC,
 10-2
 function of MI Bn (IA) HHC,
 9-1, 9-2
 function of CI Bn (Security),
 11-7, 11-10
 function of MI Bn TECHINT HHC,
 8-2
 function of MI detachment
 (TRS), 9-4
 function of S3, 7-2
 IEW brigade as, 2-2
 IEW systems, 2-8
 in case of war, 8-1
 MI brigade operations
 responsible for, 3-1
 MID element, 11-6, 11-8
 of assigned and attached
 units, 4-1
 responsibilities of MI Bde
 (EAC) commander, 12-2
 section providing, 4-2, 4-4
 supervision of, 6-2
 systems, 4-11
 varied functions, 3-3
 within the MI Bn (SIGINT), 5-2
 through 5-6

communication. See also C-E.
 as interface requirements,
 1-9
 dedicated links, 1-5
 organizational, 3-8
 responsibility of ADPSS
 detachment, 11-11
 responsibility of HHC, 10-2
 responsibility of HQ and
 support detachment, 11-10
 responsibility of TRS
 detachment, 9-2
 section (C²), 3-6
 signals, 2-7
 support arrangements, 10-2,
 12-1 through 12-4
 to support IEW connectivity,
 1-8
 use of SALUTE report, 8-8
 within the MI Bn (CI)
 structure, 6-4 through 6-7

within the MI Bn (OPNS)
 structure, 4-1 through 4-16
 within the MI Bn (SIGINT)
 structure, 5-1 through 5-8

communications section
 part of MI Co (Interrogation)
 7-3
 providing direct maintenance
 support, 5-7
 SDT support, 6-6, 6-7
 within the IEW EAC center
 structure, 4-4, 4-11
 within the MI Bde EAC, 3-6

communications support
 by communications section,
 4-11
 determined by, 3-6

communications zone (COMMZ)
 MDCI analysis for the, 6-10
 MI Bde location, 3-8
 enemy activity in the, 4-4
 MI CO (CI) location, 6-4
 MI Co (SIGINT) location, 5-4
 part of theater situation
 development, 1-7
 support to rear operations,
 10-4

communications security
 equipment maintenance, 5-7
 function of C-SIGINT
 detachment,
 HHSC MI Bn (OPNS)
 responsibilities for, 4-3
 materials and equipment
 accountability, 5-3

COMMZ. See communications zone.

complementary technical report
 (COMTECHREP)
 battlefield TECHINT report,
 8-8

COMSEC. See communications
 security.

COMTECHREP. See complementary technical report.

controlled collection
 derived through human sources, 2-7
 through HUMINT team operations, 4-10

coordinating staff
 part of brigade headquarters, 3-1
 principal staff assistant, 3-4

coordination structure
 of the CONUS MI group, 11-1

coordinators
 G2 and G3, 2-4

counterespionage (CE)
 as part of CONUS MI group, 11-3
 CI team monitoring of, 4-9
 function as provided by ADPSS, 11-11
 mission of CI battalion (C&E), 11-5, 11-6
 mission of MIDs, 11-8

counterintelligence (CI)
 as part of C&E, 6-1 through 6-10 (see C-E)
 interface with other CI agencies, 2-2
 mission of CONUS MI group, 11-1 through 11-10
 mission of MI Bn (CI), 10-1 through 10-3
 part of all-source production team, 4-7, 4-8
 part of the IEW system, 1-1
 part of EAC IEW force structure, 2-1
 performed by MI Bn (C&E), 7-1
 plans officer, 3-5
 products and functions of SDT, 4-9

responsibility of MI Bde (EAC), 12-2
 threat estimate, 4-13

countermeasures
 battlefield TECHINT mission, 8-1 through 8-7
 development of effective, 4-13
 electronic warfare, 1-8
 evaluation of, 6-10
 friendly, 2-7
 in CI operations, 10-3
 SIGINT, 6-6
 technical surveillance, 6-1

countersabotage
 CI team responsibilities to, 4-9
 special operations team conducts, 6-5

countersubversion,
 CI team responsibilities to, 4-9
 special operations team conducts, 6-5

counterterrorism measures
 CI support to, 6-1

cryptologic support group (CSG)
 common staff function of EAC IEW, 2-1
 EAC IEW organization and functions, 2-2

CSG. See cryptologic support group.

C-SIGINT function
 element of the MI Co (CI), 6-6
 MI detachment support, 11-6
 part of CI mission, 10-3

C-SIGINT process
 a four-step function, 6-6

CSS. See combat service support.

culminating point
 identification of the enemy, 4-4

current intelligence reports
 EAC IEW staff functions, 2-1
 element of, 2-2
 used for FIS targeting and methods, 11-6

DAME. See defense against methods of entry.

debriefings
 function of MI Bn (I&E), 7-2
 function of TAREX teams, 7-3
 intelligence collection, 2-6
 mission of MI Bn (C&E), 6-1

deception operations
 as combat multiplier, 1-8
 supported by CI products, 4-9
 supported by C-SIGINT, 6-6
 supported by MI Bn CI, 6-4

defense against methods of entry (DAME)
 function of CONUS MI group, 11-1
 part of technical support detachment, 11-11
 technical CI function, 11-10

defense nuclear agency (DNA)
 military intelligence detachment (MID)
 mission of, 11-9

depth
 as a positional advantage, 2-9
 of technical support, A-4
 one of three tenets that support AirLand Battle, 1-6
 required for DF team planning, 5-5

DF. See direction finding.

direction finding (DF)
 HF DF operations, 5-2
 platoon, 5-4
 platoon function, 5-5
 platoon structure within MI Co, 5-8
 SIGINT function, 5-1

direct support (DS)
 authority at theater, 3-8
 by MI Bde elements and units, 2-10
 CMEC mission, 8-5
 IEW missions, 2-3
 maintenance, 5-7
 mission of Army TCAE, A-1
 mission of theater IEW force, 12-4
 of SAP Oversight Committee, 11-9
 of subordinate detachments, 11-7
 TECHINT team mission, 8-7

director
 of CMEC, 8-3
 of IEW system, 2-4

displaced persons
 interrogation of, 6-1, 7-1

DS. See direct support.

EAC TCAE. See echelons above corps technical control and analysis element.

EACIC. See echelon above corps intelligence center.

EACIC chief
 functions and responsibilities, 4-11
 management of ISEs, 4-13

ECB. See echelons corps and below.

echelon above corps intelligence center (EACIC)

assigned to MI Bn (Opns), 4-1 through 4-16

automation support to C², 12-3

C² mission, 12-2

CMEC mission requirements, 8-5

employment in peace, crisis, and war, 2-10

G2 OPCON, 2-5

IEW architecture, 8-6

IMINT support, 9-1, 9-2

intelligence reports to, 9-4
interface with collection element, 2-2

MI Bn (I&E) operations, 7-3, 7-4

operations within the HHC MI Bn (SIGINT), 5-3 through 5-12

operations within the MI Bn (C&P), 6-1 through 6-10

responsibility of S3, 7-2, 10-2

S3 operations and interfaces, 3-5, 3-6

support of theater command, 2-8

TAREX team reporting to, 7-3

echelon above corps technical control and analysis element (EAC TCAE). See also TCAE.

as part of MI Co (C&P), 5-6
assigned to MI Bde, 5-8

mission of, A-2

operated and maintained by MI Bn (SIGINT), 5-1

receipt of tasking, 5-10

receiving reports, 5-5

SIGINT team interface, 4-10

echelon corps and below (ECB)

C-SIGINT collection support, 11-2, 11-11

CM&D assisted by EAC, 4-7
complemented by EAC MI units, 2-3

EAC tasking interface, 1-8, 1-9

external operations, 4-14

interface with EAC TCAE, 5-8

interrogation of LLSOs, 10-5

interrogation support, 6-8

MI Co (I&E) GS support, 7-1, 7-3

reinforced CI, 6-4

SIGINT collection requirements and PIR and IR operations, 5-10

SIGINT support, 5-1, 5-6

SIGINT technical messages, A-1, A-2

specialized CI support, 6-5

TECHINT countermeasure requirements, 8-7

echelon interdependence, 1-5

electronic intelligence (ELINT)

functions within MI Bn

(SIGINT), 5-1 through 5-7

team W support, A-3

electronic security (ELSEC)

function of C-SIGINT

detachment, 11-11

electronic warfare (EW)

part of AirLand Battle, 1-1

support to the force

structure, 1-7, 1-8, 2-1,

2-4, 2-9, 4-3, 4-13, 5-5,

5-9

TAREX operations, 7-3

electronic warfare/intercept system (EW/IS)

maintenance section support, 3-7

electro-optical (E-O)

IMINT support, 9-1

MI detachment, 4-16

responsibility of MI detachment (TRS), 9-2
source of IMINT, 2-7

ELINT. See electronic intelligence.

ELSEC. See electronic security.

enemy. See also CED, CEE, and CEM
centers of gravity, 1-3
foreign equipment training, 8-2
foreign materiel reports, 8-1
HHSC MI Bn (Opns) missions relating to the, 4-4 through 4-13
HUMINT exploitation of, 2-6
I&W information, 10-5
MDCI capabilities, 10-3, 10-4
MI Co (CI) missions relating to the, 6-5
MI Co (Interrogation) missions relating to the, 6-10
neutralization of systems, 8-3
PAO functions and mission on the, 3-4
reacting to friendly battle plan, 1-6
SIGINT exploitation of, 2-7
signal-peculiar equipment screening, 7-3
target development, 1-7
unit exploitation of, 2-9

enemy prisoner of war (EPW) functions in MI Bn (C&P) interrogation of, 7-1
part of HUMINT, 2-6

E-O. See electro-optical.

EOD. See explosive ordnance disposal.

EPW. See enemy prisoner of war.

EW. See electronic warfare.

EW/IS. See electronic warfare/intercept system.

EW resource allocation. See EW.

executors
coordination between producers, 2-5
providing IEW support, 2-4

exploitation
battlefield TECHINT mission, 8-1, 8-3, 8-7, 8-8
HUMINT, 2-6
MAGIIC mission, 9-4
MI Bn (C&P), 6-1 through 6-8
MI Bn (Opns), 4-1 through 4-17
of agents of hostile actions, 10-5
of hostile EW activities, 7-3
part of joint and combined operations, 1-9, 1-10
requirements tasked by EACIC, 9-1
responsibilities of C-E platoon, 8-4
responsibilities of MI Bn (IA), 9-2
second-phase IMINT, 4-14, 4-16
SIGINT, 11-2
TECHINT field, 2-7
third-phase IMINT, 4-14 through 4-16

explosive ordnance disposal (EOD)
responsibility of weapons and munitions intelligence platoon, 8-4

external operations
EACIC, 4-14

FIS. See foreign intelligence service.

foreign intelligence service (FIS)
 CI support of, 10-4
 CI team collection on, 4-8
 security and deception of, 1-8
 special operations against, 6-5
 targeting and method reporting, 11-6
 threat briefings, 1-7

food service technician
 MI Bde (EAC), 3-2

forward deployed
 ECB EPW facilities, 6-8
 IEW force, 2-6
 structure in theater force, 1-2

functional
 activities of the MI battalion (CI), 10-1
 responsibilities of battalion staff, 1-6
 tailoring, 2-9

G2
 as the theater SIO, 2-1
 assign GS support, 2-3
 coordination, 2-4
 in support of collection, 2-2
 performs CM and all-source production, 4-3
 PIR and IR requirements, 4-4
 principal advisor, 2-5
 requests for information, 6-5
 TECHINT coordination, 4-10
 Theater, 1-8

G3
 assisted by G2, 2-5
 coordination requirements, 2-4
 ECM missions, 4-4

general support (GS)
 CE coverage to CONUS units, 11-6

CMEC mission, 8-5
CSS, 3-8
mission to the IEW force, 2-3
MI Bde (EAC), 2-10
MI Co (CI) and MI Bn (CI) function, 10-1
mission of MI Co (Interrogation) (GS), 7-3
mission of theater IEW force, 12-4
role in CI support, 10-2, 10-4
role in SAPs, 11-9
technical CI functions, 11-10
to ECB units, 7-1

general support-reinforcing (GS-R)
 CMEC mission, 8-5
 MI Bde (EAC), 2-10
 mission to the IEW force, 2-3
 mission of theater IEW force, 12-4
 type of TECHINT mission, 8-7

GS. See general support.

GS-R. See general support-reinforcing.

headquarters and headquarters company (HHC)
 at MI Bde (EAC), 3-1 through 3-8,
 at MI Bn (C&P), 6-1 through 6-3
 at MI Bn (SIGINT), 5-1 through 5-4
 communications support, 12-3
 CONUS MI group, 11-1
 MI Bn (CI), 10-1
 MI Bn (I&E), 7-1
 organization of, 7-2, 10-2, 11-3
 responsibility of, 8-2, 8-3, 10-2, 11-3

headquarters and headquarters detachment (HHD)
 at MI Bde (EAC), 3-1 through 3-8, 4-2
 organization and function of, 9-1 through 9-5

headquarters and headquarters service company (HHSC)
 MI Bn (Opns), 4-2

HHC. See headquarters and headquarters company.

HHD. See headquarters and headquarters detachment.

HHSC. See headquarters and headquarters service company.

host nation
 EAC IEW interaction, 2-5
 external operations, 4-14
 IEW C² support, 12-2
 ISE liaison, 4-11
 joint and combined operations, 1-9, 1-10
 liaison with MI Bn (CI), 10-1
 peace, crisis, and war, 2-9
 point of contact, 3-3

human intelligence (HUMINT)
 CI team interface, 4-8
 functions in MI Bn (C&P), 6-1, 6-8, 6-10
 HUMINT team, 4-10
 IEW connectivity exchange, 1-9
 IEW force structure support, 2-4
 intelligence discipline, 2-6
 managing, 4-7
 MI Bn (I&E), 7-1
 MI Co (Interrogation) (GS)
 responsibility of, 7-3, 7-4
 responsibility of HHC, 7-2, 10-2 through 10-4
 SDT, 4-9
 single source, 4-13

HUMINT. See human intelligence.

HUMINT team
 functions, 4-10
 interaction and interoperability, 6-8
 single source, 4-13

I&E. See interrogation and exploitation.

I&W. See indications and warning.

IA. See imagery analysis.

IEW. See intelligence and electronic warfare. See also IEW system.

IEW architecture
 requirements, 8-6

IEW interoperability. See IEW.

IEW operations
 MI Bde (EAC) support of, 12-2

IEW principles. See IEW.

IEW structure
 in support of C², 12-1

IEW system
 battlefield TECHINT, 8-1
 CMEC input, 8-5
 handling reports, 8-7, 8-8

imagery. See also imagery intelligence.
 IEW connectivity, 1-9
 IMINT team, 4-9
 MI Det (IA), 4-14
 MI Det (strategic IA), 4-16, 4-17
 part of MI Bde (EAC), 2-7
 part of MI Bn (Opns), 4-1

imagery analysis (IA)
 in the IMINT team, 4-9
 MI Bde (EAC), 2-7
 MI Bn (Opns), 4-2, 4-3

mission and organization of
MI Bn (IA), 9-1 through 9-5
strategic, 4-14, 4-16

imagery data base
in the basic cover program,
4-16, 4-17
maintaining, 4-9
used in the basic cover
program, 9-4

imagery intelligence (IMINT)
CI operations, 10-3
CI team interface, 4-9, 4-10
CM&D interface, 4-7
IEW connectivity, 1-9
input to EACIC, 9-2
intelligence discipline, 2-6
mission and organization of
MI Bn (IA), 9-1
single-source, 4-13
sources, 2-7

IMINT. See imagery
intelligence.

indications and warning (I&W)
function at theater, 1-8
liaison with civil agencies,
10-4
theater IEW task, 1-7

indications of hostilities (IOH)
I&W function, 2-1

information requirements (IR)
all-source production, 4-8
CI teams, 4-9
CI teams to accommodate
estimate, 12-1
CM management of, 4-4
CMEC mission, 8-5, 8-7
combat, 6-10
EACIC directs, 4-3
establishing, 2-4
integration of communications
systems, 12-2
internal operating functions,
5-10

monitored by ITDB, A-2, A-5
specific, 4-7

initiative
for offensive operations, 4-4
tenet of AirLand Battle, 1-6

intelligence and electronic
warfare (IEW)
architecture, 8-6
C², 12-2
in EAC IEW structure, 2-1
through 2-10
in MI Bde (EAC), 3-1 through
3-8
in MI Bn (Opns), 4-1 through
4-13
in MI Bn (SIGINT), 5-1
in support of theater, 1-1
through 1-9
support arrangements, 12-4

intelligence cycle
all-source production, 4-8
EACIC coordination, 2-8
internal operations, 4-11

intelligence data base
during peace, crisis, and war,
2-10

intelligence disciplines
CM interface with, 4-7
TECHINT, 8-1
the principal, 2-6
S3 expertise in, 3-6
within organizations, 4-1

intelligence preparation of the
battlefield (IPB)
intelligence process, 12-1
production section functions
in, 4-13
rear operations CI, 4-9
support to AirLand Battle, 1-7
TECHINT reports on enemy
mobility capabilities, 8-4

intelligence property book
section (IPBS)
function, 3-7

intelligence production
EACIC, 2-8, 4-3

intelligence staff
integral part of commander's
campaign, 4-4
theater Army, 2-1

intelligence support element
(ISE)
EACIC structure, 4-4
functions, 4-10 through 4-14
SDT interface, 4-9
SOF operations, 2-10, 2-11

intentions
of enemy
analyzing, 1-4
collection to reveal, 1-9
in synchronization of, 1-7
indicator list of, 1-8
MASINT collection to reveal,
4-10
of AirLand Battle commander,
12-1

intercept
EW system, 3-7
voice, 5-5

intercept tasking data base
(ITDB), A-2, A-5

internal operations
EACIC, 4-11
MI Bn (Opns), 6-8
of the brigade, 3-8

interrogation and exploitation
(I&E)
function of MI Co
(Interrogation), 7-3
platoon MI Co, 6-6, 6-7

organization of MI Bn (I&E),
7-1
responsibilities of MI Bn
(I&E), 7-2, 7-4

IOH. See indications of
hostilities.

IPB. See intelligence
preparation of the battlefield.

IPBS. See intelligence
preparation of the battlefield
section.

IR. See information
requirements.

ISE. See intelligence support
element.

ITDB. See intercept tasking
data base.

JCMEC. See joint captured
materiel exploitation center.

joint captured materiel
exploitation center (JCMEC),
8-5

JIF. See joint interrogation
facility.

joint interrogation facility
(JIF)
joint and combined facility,
1-10, 7-1

Joint Strategic Capabilities
Plan (JSCP)
IEW support interface, 1-3

JSCP. See joint strategic
capabilities plan.

knowledgeability brief
interrogation functions, 6-10

L series TOE
 MI Bde (EAC), 3-1, 3-8
 theater MI Bde, 2-8

language skill
 appropriate mix, 5-9
 regional tailoring, 2-8

levels of warfare, 1-2

liaison
 CM&D, 4-7
 EACIC, 4-11
 function of MI Bn (CI), 10-1,
 10-4, 10-5
 function of MI Bn (IA), 9-1
 function of MI Co
 (Interrogation) (GS), 7-3
 HUMINT requirements, 2-6
 interface, 4-16
 ISE, 4-13
 MI Co (CI), 6-4
 ministry, 5-4
 responsibility of S2, 11-4
 SDT, 6-10
 special operations element,
 6-5

LLSO. See low-level source
 operations.

long-range surveillance (LRS)
 HUMINT function, 2-6

low-level source operations
 (LLSO)
 CI support to rear
 operations, 10-4, 10-5
 HUMINT function, 2-7
 Special operations element,
 operations, 6-5
 support rear area, 6-1

LRS. See long-range
 surveillance.

MAGIIC. See mobile army ground
 imagery interpretation.

MASINT. See measurement and
 signatures intelligence.

MDCI. See multidiscipline
 counterintelligence.

MDCI analysis
 CI analysis team, 6-2
 CI element, 2-1
 CI team, 4-8, 4-9
 SDT-HUMINT, 6-10

MDCI data base
 ISE interface, 4-13
 maintained by HHC analysis
 team, 10-2
 responsibility, 4-9

meaconing, intrusion, jamming,
 and interference (MIJI)
 coordination, 5-3

measurement and signatures
 intelligence (MASINT)
 CM&D interface, 4-7
 functions, 2-7
 IEW connectivity, 1-9
 intelligence discipline, 2-6
 MASINT team, 4-10
 single source, 4-13

METT-T. See mission, enemy,
 terrain, troops, and time.

MID. See military intelligence
 detachment.

MIJI. See meaconing, intrusion,
 jamming, and interference.

military concepts
 (ways), 1-1

military force,
 C² process, 12-1
 EAC IEW interaction, 2-5
 theater operational
 consideration, 1-1

military intelligence detachment (MID)
 mission of CI Bn (C&E), 11-5 through 11-9

mission, enemy, terrain, troops, and time (METT-T)
 CI element function, 6-5

mission management
 EACIC structure interface, 4-4, 4-7
 MI Co function, 5-6
 SIGINT operations, 5-9

mobile army ground imagery interpretation (MAGIIC)
 definition of, 9-4

Morse
 MI Co function, 5-4 through 5-7

multidiscipline counterintelligence (MDCI)
 analysis, 6-2
 CI element, 2-1
 CI team, 4-8, 4-9
 data base, 4-13
 IEW connectivity, 1-9
 MI Co (CI), 6-4
 mission of MI Bn (CI), 10-1 through 10-4
 mission of CONUS MI group, 11-1
 SDT-HUMINT, 6-10
 support, 6-1

multidiscipline threat policies and procedures
 formulated by S2, 11-4
 processing, 6-1

National Command Authorities (NCA)
 EAC interface, 1-10
 EACIC coordination, 4-11
 operational interface, 1-3
 support to, 11-2

National Security Agency (NSA)
 ADP function, A-5
 Army TCAE POC at, A-1
 data bases, A-2
 EAC coordination, 5-8

NBC section
 function, 3-6

NCA. See National Command Authorities.

NETCAP
 EAC participation, 1-9
 ECB interface, 4-14

non-linear battlefield interdependence, 1-5

noncommunication emitters
 SIGINT function, 2-7

NSA. See National Security Agency.

OB team
 functions, 4-8

On-Site Inspection Agency (OSIA)
 CI support to, 11-7
 OPSEC advice and assistance, 11-6

OPCON. See operational control.

operational control (OPCON)
 Allied commanders, 12-2
 coordination requirements, 2-5
 EAC IEW, 2-2
 EACIC, 4-3
 MI Bde (EAC), 3-5
 MI Co (C&P), 5-5, 5-6
 MI Co (SIGINT), 5-9, 5-10
 S1 relationship with IMO, 11-4
 special operations forces, 2-10
 TROJAN switching network, A-4

operational continuum
 levels of warfare, 1-2

operational level
 battlefield TECHINT support,
 8-1
 coordination requirements, 2-6

theater operational
 considerations, 1-2 through
 1-7

operational level intelligence
 doctrine, 1-4 through 1-7
 intelligence operation at EAC,
 12-1

operations
 C² process, 12-1 through
 12-4
 CI mission, 10-3 through 10-6
 CI special operations, 10-1
 contingency, 8-5
 CONUS MI group function, 11-1
 through 1-11
 of HHC, 7-2
 of MI Bn (I&E), 7-3
 of MI Co (Interrogation), 7-3
 TCAE, A-1 through A-4

operations security (OPSEC)
 assistance to OSIA, 11-6
 CI operations process, 10-3
 CI team, 4-9
 coordination, 2-5
 exploitation, 4-16
 imagery exploitation, 9-1
 MI Bn (Opns), 4-1
 MI Co (CI), 6-4 through 6-6
 MID support to DA, 11-8
 MID support to DNA, 11-9
 programs, 11-2
 operations and training, 3-5
 S3 function, 11-7
 security and deception, 1-8

operations security support
 detachment (OSD)
 function of, 11-9

part of MI Bn (CI) (security),
 11-7

OPSEC. See operations security.

OSD. See operations security
 support detachment.

OSIA. See On-Site Inspection
 Agency.

PAO. See public affairs office.

paramilitary
 HUMINT liaison, 2-6, 2-7

PIR. See priority intelligence
 requirements.

polygraph
 CI function, 10-1
 CI technical support, 10-2
 CONUS MI group function, 11-1
 MI Bn (C&P) function, 6-1
 through 6-3
 MI Bn (CI) (technical)
 function, 11-10
 mission of polygraph
 detachment, 11-11

preliminary technical report
 (PRETECHREP)
 battlefield TECHINT report,
 8-8

PRETECHREP. See preliminary
 technical report.

priority intelligence
 requirements (PIR)
 CI teams to accommodate
 estimate, 12-1
 CMEC mission, 8-5, 8-7
 director of, 2-4
 EACIC functions, 4-3 through
 4-11
 integration of communications
 systems, 12-2
 MI Co operations, 6-7, 6-10

monitored by ITDB, A-2, A-5
 SIGINT procedure, 5-10

producers,
 coordination, 2-5
 MI Bde organization, 2-4

production section
 MI Bn (C&P), 6-8 through 6-10
 MI Bn (Opns), 4-1 through 4-13
 MI Bn (SIGINT), 5-6 through
 5-10

public affairs office (PAO)
 MI Bde (EAC), 3-5

R. See reinforcing.

radio electronic combat (REC)
 SIGINT function, 6-6

RC. See Reserve Components.

rear operations
 CI support to, 10-4
 CM&D coordination, 4-7
 EACIC, 4-4
 MI Bde (EAC) mission, 3-1
 MI Bn (C&P) support, 6-1

rear operation IPB products
 CI support, 4-9

REC. See radio electronic
 combat.

refugees
 control points, 7-3
 interrogation of, 7-1
 MI Bn (C&P) function, 6-1

regional SIGINT support center
 (RSSC)
 EAC TCAE coordination, 5-8

regional tailoring
 IEW requirements, 2-9
 theater MI Bde, 2-8

regionally tailored
 support requirements, 2-3

reinforcing (R)
 IEW mission, 2-3
 mission of MI Bde (EAC) and
 subordinate units, 12-4

request for intelligence
 information (RII)
 EACIC coordination, 4-3
 through 4-17
 status maintenance, A-3

Reserve Components (RC)
 battlefield TECHINT structure,
 8-1
 peacetime support, 2-8
 operations section capability,
 9-4
 SIGINT support to, 11-2
 support and training, 11-4
 tactical reconnaissance
 imagery exploitation, 9-1
 TECHINT units, 4-14

resident office (RO)
 geographical MIDs, 11-5
 through 11-8

RII. See request for
 intelligence information.

RO. See resident office.

RSSC. See regional SIGINT
 support center.

S1
 coordinating staff EAC, 3-4,
 3-5
 HHSC MI Bn (Opns), 4-2
 MI Bn (C&P), 6-2
 responsibility of MI Bn (IA),
 9-2
 responsibility of CI Bn (CE),
 11-5
 responsibility of CI Bn (CI)
 (security), 11-7

responsibility of CONUS MI group, 9-4

S2

- responsibility of CI Bn (CE), 11-6
- responsibility of CI Bn (CI) (security), 11-7
- responsibility of CONUS MI group, 9-4
- responsibility of MI Bn (IA), 9-2

S3

- responsibility of CI Bn (CE), 11-6
- responsibility of CI Bn (CI) (security), 11-7
- responsibility of CONUS MI group, 11-4
- responsibility of MI Bn (I&E), 7-2
- responsibility of MI Bn (IA), 9-2
- responsibility of MI Co (CI) group, 10-2

SAEDA. See Subversion and Espionage Directed Against US Army.

SALUTE report

- battlefield use of, 8-7
- use of, 8-8

SAP. See special access program.

security and deception

- IEW support to AirLand Battle, 1-7, 1-8
- EAC IEW structure, 2-1, 2-9
- EACIC mission, 4-3

senior intelligence officer (SIO)

- EAC IEW structure, 2-1, 2-3
- EACIC, 4-3
- joint and combined operations, 1-9

sensors

- IMINT, 2-7
- employment interface, 2-9
- MI Bn (Opns), 4-1 through 4-10

sensor cueing

- SDT requirements, 4-10
- unit requirements, 4-1

SDT. See single discipline team.

SIGINT. See signals intelligence.

signals intelligence (SIGINT)

- Army TCAE support, A-1 through A-5
- channels, 7-3
- collection capability of CI operations, 10-3
- exploitation of weapons systems and FTX, 11-2
- joint and combined operations, 1-9
- MI Bde (EAC) function, 3-7
- MI Bde (EAC) organization, 2-2 through 2-7
- MI Bn (C&P), 6-6
- MI Bn (OPNS), 4-7 through 4-13
- MI Bn (SIGINT), 5-1 through 5-12

single discipline team (SDT)

- CM&D interface, 4-7
- CMEC subelement, 8-6
- EACIC coordination, 4-9, 4-11
- interface, 6-10
- SIGINT, 5-6 through 5-10

SIO. See senior intelligence officer.

situation development

- current intelligence, 2-2
- EACIC mission, 4-3
- in peace, crisis, and war, 2-9
- theater IEW tasks, 1-7

special access program (SAP)
 purpose of, 11-1 through 11-9

special operations
 CI element, 6-5
 function of MI Bn (CI), 10-1
 MI Co (CI), 6-4
 responsibility of S3, 11-6
 see SOF, 2-10

special operations command (SOC)
 interface, 2-10

special operations forces (SOF)
 DNA MID support to, 11-9
 information interface, 4-13
 integrated CI support, 11-7
 ISE coordination, 4-11
 structure and operations,
 2-10, 2-11

special security office (SSO)
 function, 3-3, 3-5
 theater staff function, 2-1,
 2-2

special staff
 RMO, 11-4
 theater structure, 3-1 through
 3-4

SOC. See special operations
 command.

SOF. See special operations
 forces.

Southwest Asia-technical control
 and analysis element (SWA-TCAE)
 supports CENTCOM, A-4

SSO. See special security
 office.

strategic IA detachment
 located near EACIC, 9-2
 part of MI Bn (IA), 9-1, 9-5

strategic level
 EAC IEW structure, 2-1
 TECHINT production, 8-1

Subversion and Espionage
 Directed Against US Army (SAEDA)
 CI element, 2-2
 CI support to rear operations,
 10-4
 CONUS MI group conducts, 11-1
 MID conducts briefings, 11-7

supply technician
 MI Bde (EAC), 3-7

support relationship
 employment, 2-10
 in peacetime, 12-4

SWA-TCAE. See Southwest Asia-
 technical control and analysis
 element.

synchronization
 AirLand Battle tenet, 1-7
 battlefield, 12-1

TAACOM. See Theater Army Area
 Command.

TACS. See Theater Army
 Communications System.

tactical exploitation of
 national capabilities (TENCAP)
 ECB coordination, 4-14
 exploitation, 1-9

tactical intelligence
 data bases, 2-10
 forming of, 1-4
 IEW connectivity, 1-8
 operational level, 1-3
 requirements coordination,
 2-8
 SIGINT operations, 5-9

tactical level
 battlefield TECHINT support, 8-1
 levels of warfare, 1-2
 MI Bde support, 2-10
 mission of TRS, 9-2

tactical reconnaissance
 squadron
 deploys with TRS, 9-1 through 9-5

TAREX. See target exploitation.

target development
 current intelligence, 2-2
 EACIC mission, 4-3
 employment in peace, crisis, and war, 2-9
 relationships, 4-13
 theater IEW tasks, 1-7

target exploitation (TAREX)
 C-E platoon function, 8-4
 MI Bn (C&P) function, 6-1
 mission of MI Bn (I&E), 7-1 through 7-3
 operations, 6-8

tasking guidance
 mission, 4-3
 operations function, 4-1

tasks
 CI team function, 4-9
 CM&D function, 4-7
 coordination requirement, 2-5
 EAC MI organizational, 2-2
 HHC MI Bn (SIGINT), 5-2, 5-10
 MI unit, 6-4, 6-10
 mission, 3-1
 SDT function, 4-10, 4-11
 staff, 3-3
 theater IEW, 1-7

TASOSC. See Theater Army Special Operations Support Command.

TCAE. See technical control and analysis element.

TECHINT. See technical intelligence.

TECHINT products
 description of, 8-8

technical control and analysis element (TCAE)
 CM function, 5-10
 CM&A platoon coordination, 5-5
 IEW connectivity, 1-9
 MI Co (C&P), 5-6
 operating and maintaining, 5-1
 organic, 5-8
 SIGINT interface mission, 4-10
 SIGINT requirements, 4-7
 structure, 5-9

technical data
 exchange of, A-1, A-2
 IEW connectivity, 1-9
 SIGINT, 5-5 through 5-8

technical intelligence (TECHINT)
 augmented with TAREX elements, 7-3
 function, 2-7
 functions in unit, 4-2 through 4-13
 IEW connectivity, 1-9
 intelligence discipline, 2-6
 MI Bn (C&E), 6-1
 MI Bn mission, 4-1
 mission of battlefield TECHINT, 8-1 through 8-8
 S3 coordination, 3-6

technical interface. See IEW connectivity.

technical support detachment
 part of CI Bn (technical), 11-10
 organization of, 11-11

technical surveillance
 countermeasures (TSCM)
 CI function, 10-1, 11-10
 CONUS MI groups function,
 11-1
 HHC function, 10-2
 MI Bn (C&P) mission, 6-1
 through 6-3
 MID function, 11-9
 part of technical support
 detachment, 11-11

TEMPEST
 CI function of MI Bn (CI)
 (technical), 11-10 through
 11-12
 MID function, 11-9
 test support by CONUS MI
 group, 11-2

TENCAP. See tactical
 exploitation of national
 capabilities.

terrorism
 countering, 10-3
 special operations, 6-5

theater Army
 IEW, 1-7
 IEW operations support to, 4-1
 through 4-16, 5-6
 MI Bde S3 coordination, 3-5
 through 3-8
 MI Bn (C&E) support to, 6-1,
 6-8
 operational level, 1-3
 staff, 2-1 through 2-10

**Theater Army Area Command
 (TAACOM)**
 CM&D coordination, 4-7
 CSS interface, 3-8
 support to MI Bde (EAC)
 12-4

 theater IEW task coordination,
 1-7

**Theater Army Communications
 System (TACS).**
 S3 coordination, 3-6

**Theater Army Special Operations
 Support Command (TASOSC).** See
 also SOF.

theater of war
 connectivity, 1-9
 force structure, 1-3
 strategic goals, 1-2

theater support node (TSN)
 deployment, 5-8

threat awareness
 training, 10-4

time
 commander's view battlefield,
 1-5
 control of, 1-7
 employment, 2-9

TROJAN
 program, A-2 through A-4

TSCM. See technical
 surveillance countermeasures.

TSN. See theater support node.

unit ministry team
 MI Bde (EAC), 3-5
 part of HHC, 10-2
 part of MI Bn (I&E), 7-2
 unit function, 5-4

Wartime Reserve Mode (WARM),
 4-2, 4-3, 5-8,

FM 34-37
15 JANUARY 1991

By Order of the Secretary of the Army:

CARL E. VUONO
General, United States Army
Chief of Staff

Official:

JOHN A. FULMER
Colonel, United States Army
Acting The Adjutant General

DISTRIBUTION:

Active Army, USAR, and ARNG: To be distributed in accordance with DA Form 12-11E, requirements for FM 34-37, Echelons Above Corps (EAC) Intelligence and Electronic Warfare (IEW) Operations (Qty rqr block no. 1124).