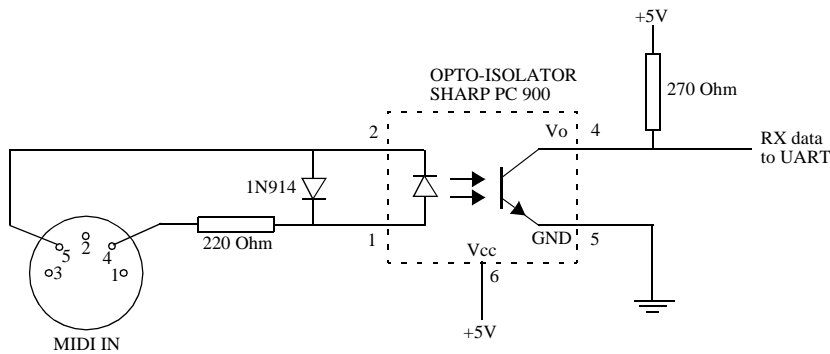


MIDI Interface

The MIDI standard defines a simple electrical interface that consists of an opto-isolated current loop. Data exchange is based on 8 bit units and transmission is bit serial and asynchronous. To build a complete MIDI interface the circuits shown should be connected to an UART with a bit rate of 31250 bps, 8 bits of data, 1 stop bit and no parity.

The picture below shows a typical MIDI receiver circuit.



The picture below shows a typical MIDI transmitter circuit.

