



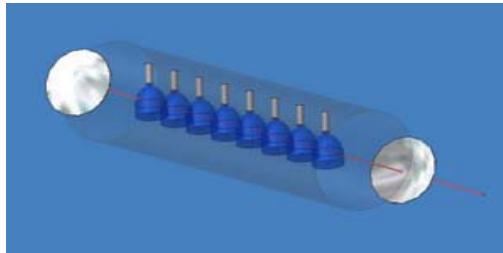
Laser gun

بِسْمِ اللَّهِ الرَّحْمَنِ الرَّحِيمِ

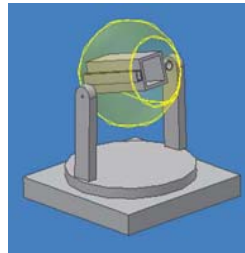
Copyright © 2000-2008 Crystal Communication Sdn Bhd (patent pending)
No parts may be reproduced without a written permission from
Crystal Communication Sdn Bhd (306943T)
Mobile: 0126977577, Email: crystalcommunication@yahoo.com
<http://www.geocities.com/crystalcommunication>

Laser Gun

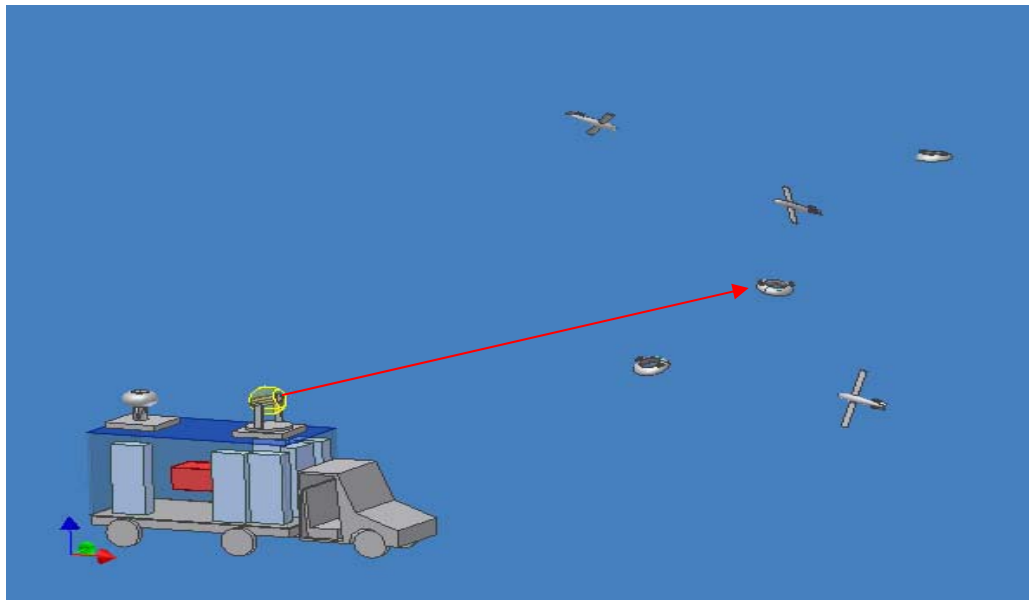
Chemical iodine/HF laser



Turret



Laser radar



TOP SECRET

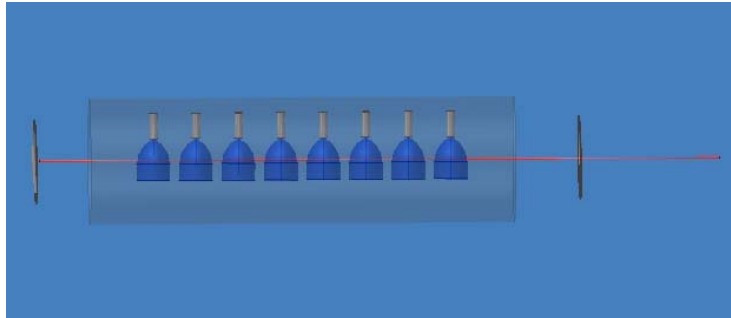
The ULTIMATE defense weapons

“With our technology, all existing conventional weapons shall be made obsolete” © Copyright 2003

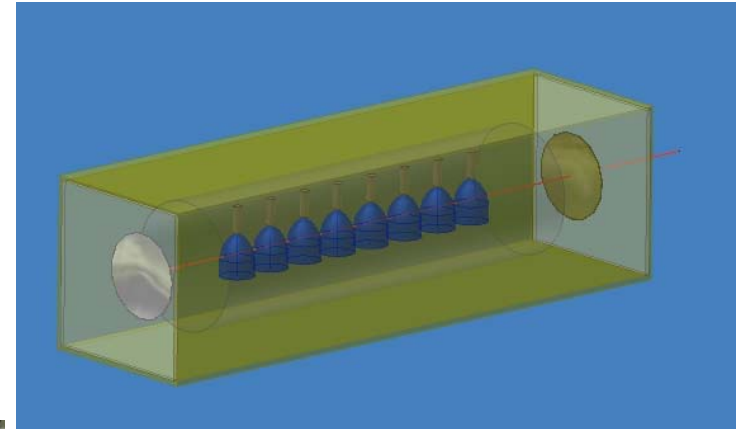


Laser gun

Laser Gun Technology

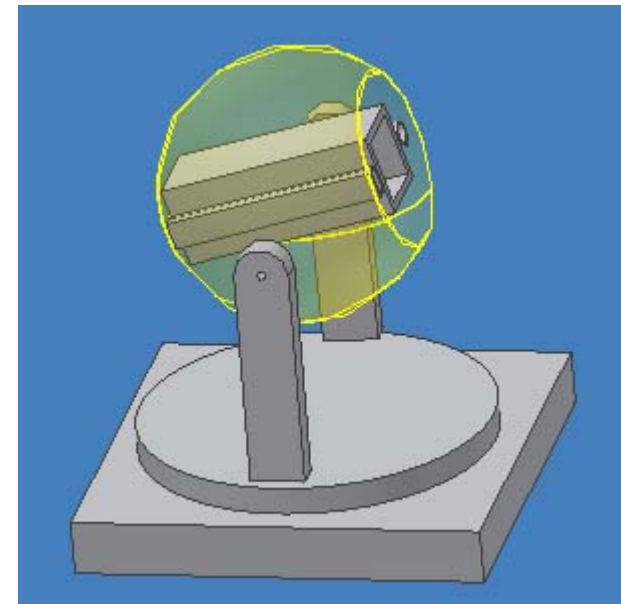


Chemical laser I/HF



Chemical laser I/HF discharge mode

Control system

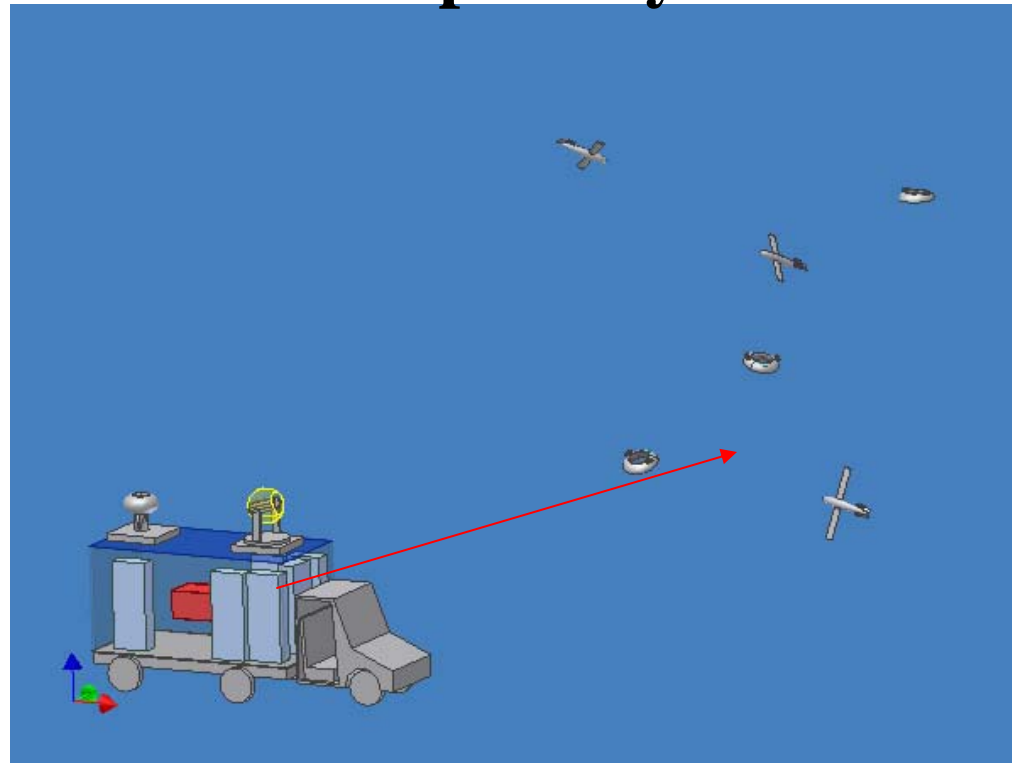


Turret guide and shoot



Laser gun

Capability



Shoot and gun down

- Missile / satellite
- Aircraft / stealth*
- UAV (unmanned aircraft)
- Any contact

speed of light, c



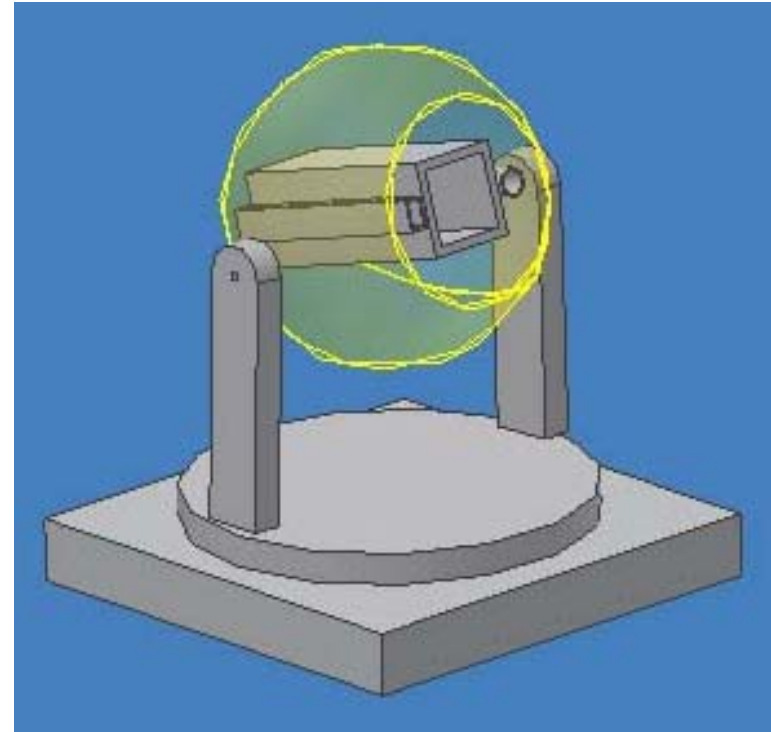
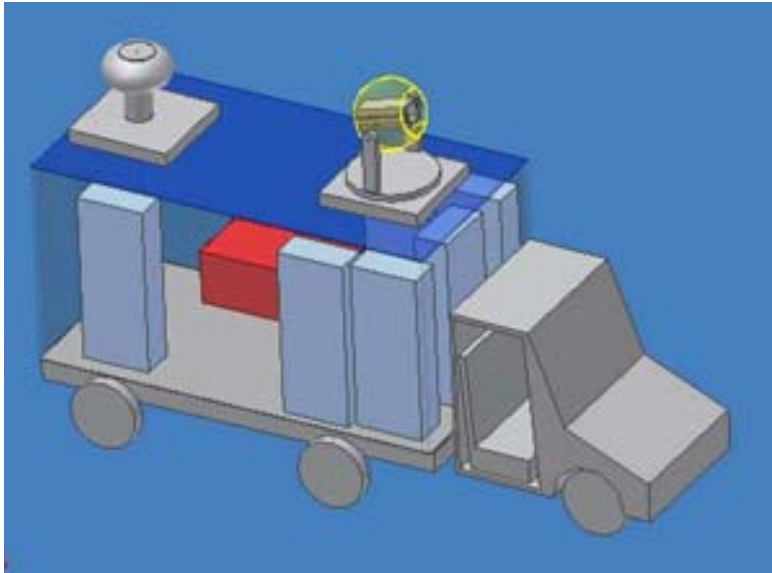
Copyright © 2000-2008 Crystal Communication Sdn Bhd (patent pending)

No parts may be reproduced without a written permission from

Crystal Communication Sdn Bhd (306943T)

Mobile: 0126977577, Email: crystalcommunication@yahoo.com

<http://www.geocities.com/crystalcommunication>



A laser gun is the most advanced laser weapon that can shoot a target using a 100KW of laser power. Just to give you an idea of this laser intensity, these lasers could make a hole through a 6in steel slab just in 2-3 seconds.

The guidance system uses a laser radar with accuracy at 50 km could detect visually a 1m x 1m image.



Laser gun

Technical specifications

Laser type: CO2

Laser power: 100KW (pulsed, continuous output power)

Divergence beam: < 0.01 degree

Guidance: Laser guided radar. TV camera + He-ne laser spot target

Distance: 50 km

Object size: < 1m x 1m

Response time:

Detection: < 1 sec

After detection: < 1 sec

Capability:

1/ Shoot UAV

2/ Shoot object size < 1m x 1m at 50 km distance

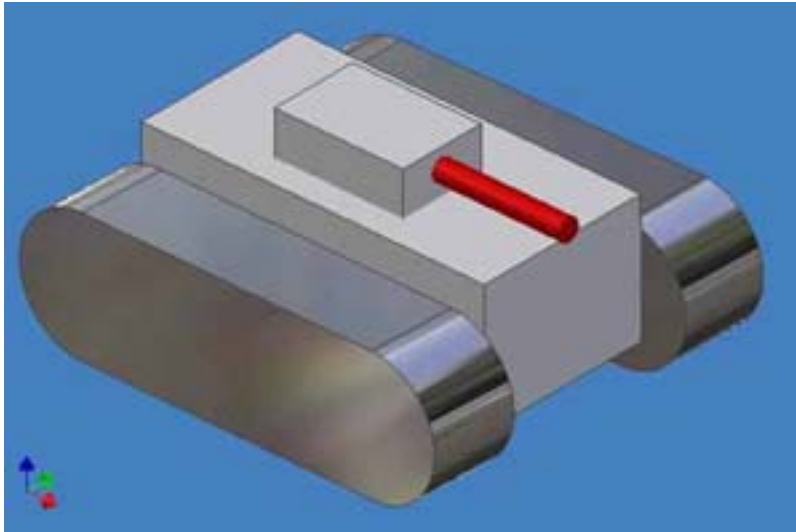
Copyright © 2000-2008 Crystal Communication Sdn Bhd (patent pending)

No parts may be reproduced without a written permission from

Crystal Communication Sdn Bhd (306943T)

Mobile: 0126977577, Email: crystalcommunication@yahoo.com

<http://www.geocities.com/crystalcommunication>



A laser canon is an advanced laser weapon that can shoot a target using a 100KW of laser power. Just to give you an idea of this laser intensity, these lasers could make a hole through a 6in steel slab just in 2-3 seconds.

This canon can be used to shoot any target easily by moving the gun nose and point directly to the target.

The guidance system (for more sophisticated use) uses a laser radar with accuracy at 50 km could detect visually a 1m x 1m image.



Laser gun

Technical specifications

Laser type: CO2

Laser power: 100KW (continuous output)

Divergence beam: < 0.01 degree

Response time motion for gun nose:

x coordinate 1-3 micro sec

y coordinate: 1-3 micro sec

Optional:

Guidance: Laser guided radar. TV camera + He-ne laser spot target

Distance: 50 km

Object size: 1m x 1m

Response time:

Detection: < 1 sec

After detection: < 1 sec

Capability:

1/ Shoot anything within visibility

2/ Shoot UAV

3/ Shoot object size < 1m x 1m at 50 km distance

Copyright © 2000-2008 Crystal Communication Sdn Bhd (patent pending)

No parts may be reproduced without a written permission from

Crystal Communication Sdn Bhd (306943T)

Mobile: 0126977577, Email: crystalcommunication@yahoo.com

<http://www.geocities.com/crystalcommunication>