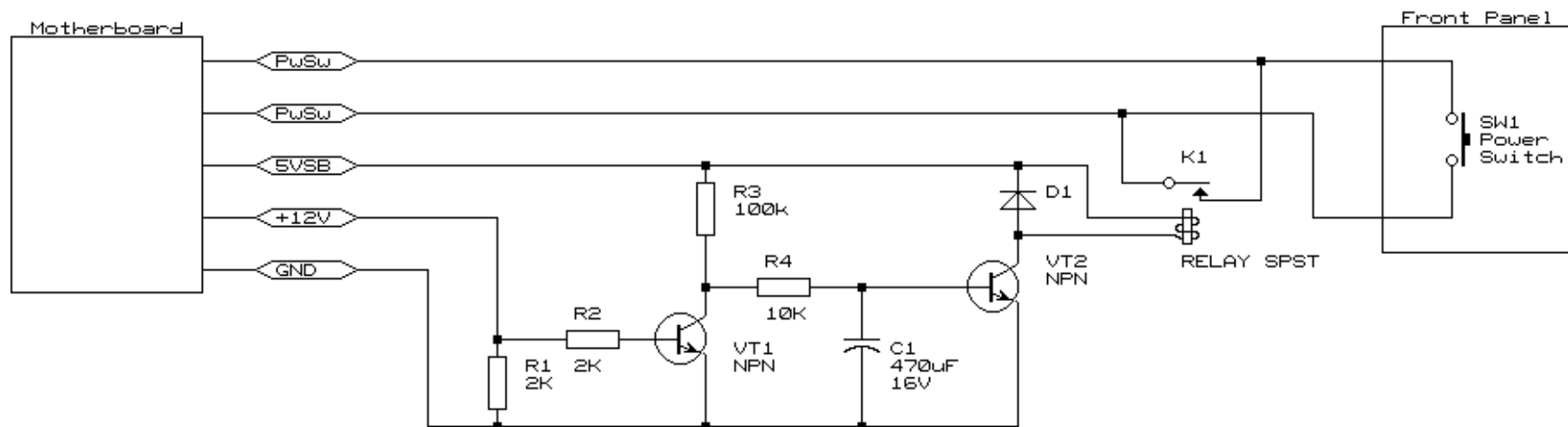


ATX Power “Always On” Scheme

By [Cyberdocc](#)

The Scheme provided will turn your ATX PC on if it is accidentally turned off or when power is restored after a power failure. Useful for computers which have to be always on but do not have a UPS (hence will not work while power is down!).

NB: USE AT YOUR OWN RISK! NO WARRANTY TAKEN!



© By Cyberdocc, 2001