



STG - Systems

Server Packaging Instructions : x3650 2U (MT 7979 & 1914)

No. SG-P-01244 Rev. 2

Status: In Production

| | |
|--------------------|--------------------------------|
| Document Number | SG-P-01244 |
| Revision Number | 2 |
| Category | WW-P&PSG-Packaging |
| Document Type | Procedure |
| Date In Production | Jun-01-2006 |
| Author(s) | Ivan Liverman/Raleigh/IBM |
| Document Owner | Jeffrey Miller/Raleigh/IBM |
| Location | All Systems Group WW Locations |
| Department | GQBA |
| Last Updated | Jun-01-2006 |
| Last Modified By | Ivan Liverman/Raleigh/IBM |

Procedure Description

Body

NOTE: This document is designed to be used on-line. You are responsible to use only the "Production" version on-line.

```

*****
* IMPORTANT NOTICE: The Federal Aviation Administration requires      *
* certification that packages shipped by air do not contain explosives, *
* hazardous materials, incendiaries or other destructive devices.    *
* Therefore, just prior to sealing the carton, you must inspect its    *
* contents to confirm that it contains only parts specified on the IBM *
* bill of materials. If the contents meet specifications, then seal the *
* carton with IBM logo tape or another tamper evident indicator       *
* specified on the bill of materials. The logo tape or tamper evident *
* seal will indicate that the carton can be certified to meet FAA     *
* standards for air shipment. If you discover parts or devices that   *
* appear suspicious (whether or not potentially explosive), carefully   *
* secure the carton on the line and notify IBM management promptly.    *
*****

```

- Information contained in this document is for reference purposes only.
- Process and Part Numbers may vary in each manufacturing location.
- Refer to local site procedures and Bill of Materials for any substitutions.
- No deviation is to be made to the overall package assembly without prior written approval from the Responsible Packaging Engineer.

Table of Contents

- Section 1** - APPLICABLE SYSTEMS, MTM Table
- Section 2** - IBM/OEM UNIT PACKAGING
- Section 3** - MANUFACTURING PALLETIZATION - IBM/OEM Systems
- Section 4** - DISTRIBUTION - IBM/OEM Systems

Section 5 - IBM/OEM PACKAGING BOM

Section 1 - Applicable Systems, MTM Listing

Server

7979 & 1914 - x3650 (2U Server) - ALL MODELS

Section 2 - IBM/OEM UNIT PACKAGING

2.1 - Inspect system to insure that there are no scuffs or scratches.



2.2 - Set up carton (39Y7688) and H-Tape the bottom with IBM Logo Tape (74F5698) Making sure that the hand holes on the end of the carton are on the top as shown in the picture below. The third picture highlights (in red) where tape is to be applied to the carton for H-Taping.

Note - Use carton (01R3787) and tape (6272199) for OEM shipments
(Scan carton Barcode if prompted by DFC)



NOTE: Make sure that tape extends (4) inches up the side of the carton.

2.3 - Install rear load spreader (39Y7673) on rear of machine as shown.

(Scan Load Spreader Barcode if prompted by DFC)



2.4 - Break apart molded bottom cushion set (39Y7667) or use fabricated cushions (39Y7669 and 39Y7670). Place the cushions in the carton as shown below. Leave about 4 inches of space for the shipgroup carton between the edge of the carton and edge of bottom front cushion. The Bottom Fabricated Cushions are identifiable by the round hole which is present on both the bottom front and bottom rear cushions.



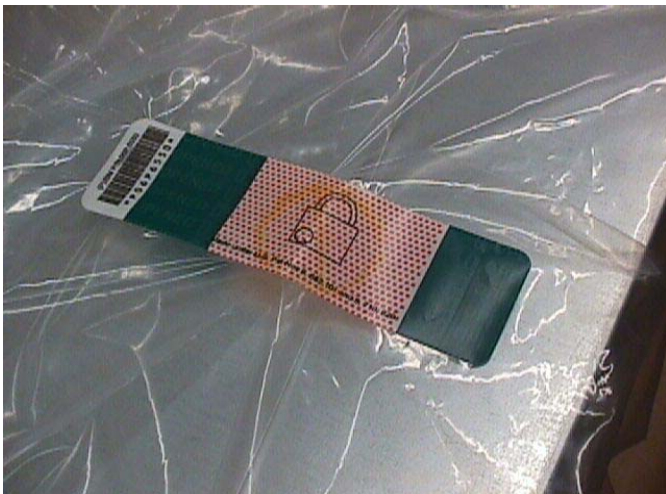
2.5 - Place PolyBag (6165640) over the cushions so the machine can be placed inside both the bag and cushions.



2.6 - Place machine inside PolyBag on the cushions. Make sure machine is sitting in bottom of cushions and not resting on the top edge of of the cushions.



**2.7 - Close and seal PolyBag with the tamper evident seal (06P6550).
Press label firmly onto surface of bag to provide adequate adhesion.
(Scan Tamper Label Barcode if prompted by DFC)**



2.8 - Locate and assemble shipgroup carton (39Y7697).

2.9 - Place cable management arm (CMA) carton, pubs, and shipping bracket inside the shipgroup carton.

(Scan CMA, Pubs, and Shipping Bracket Barcodes if prompted by DFC)



2.10 - Seal short flap of shipgroup carton with tamper label (74F8851). Leave long flap unsealed to allow for the addition of pubs and CTO items. Place populated shipgroup (39Y7697) in front of the machine with carton flap/openings facing up. Make sure that the shipgroup carton flaps open towards the system to insure the handholds are usable and additional CTO items can be easily inserted as shown.

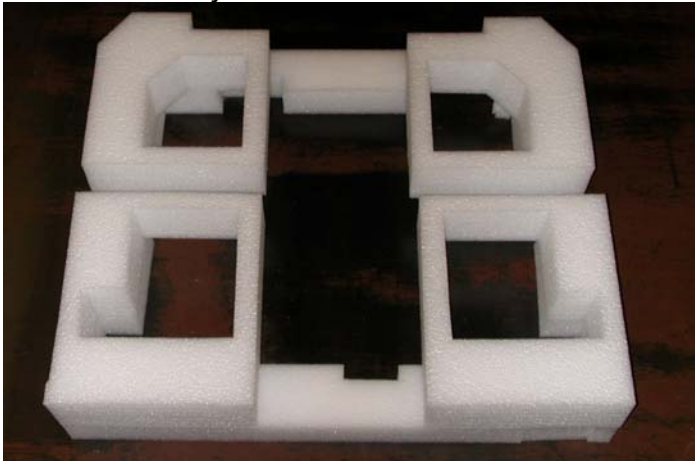




(Scan Shipgroup Carton if prompted by DFC)

NOTE: Shipgroup Carton Flaps MUST open towards the system

2.11 - Break apart molded top cushion set (39Y7668) or use fabricated cushions (39Y7671 and 39Y7672) and place the cushions on top of the system.



2.12 - Place Rail Kit Carton on top of the unit between the top cushions and the shipgroup carton.

(Scan Rail Kit Carton Barcode if prompted by DFC)



2.13 - Locate and assemble Accessory Carton (39Y7698).

2.14 - Place line cord(s) and other accessory items into the Accessory Carton. Place Accessory carton on either side of the rail kit carton as shown.

(Scan Accessory Carton Barcode if prompted by DFC)



2.15 - Fold carton flaps down and H-Tape the carton shut using 3" IBM Logo Tape (74F5698).

Note - Use tape (6272199) for OEM shipments



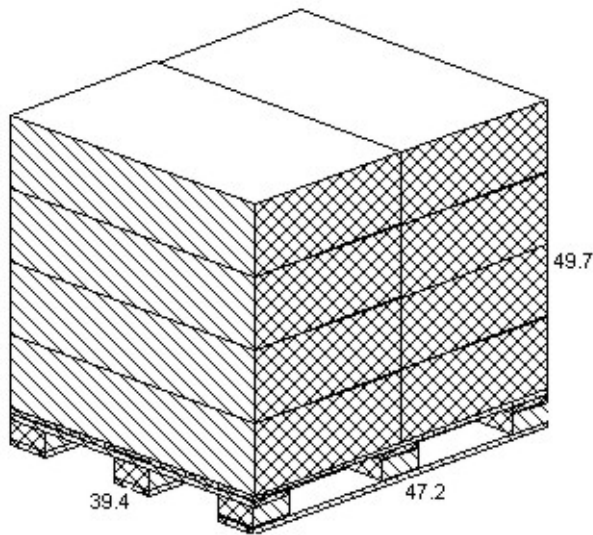
2.16 - Take the two (2) printed carton labels (33G9780) off the printer. Position them on front and left sides of the carton. Use label locating marks for label location placement.

2.17 - Place Intel label (if called out in DFC) on the top of the carton between label location marks.

Section 3 - Manufacturing Palletization

Worldwide Sites

3.1.1 - Place up to 8 systems on a full size pallet P/N 6038887 or P/N 7310275 in even quantities.

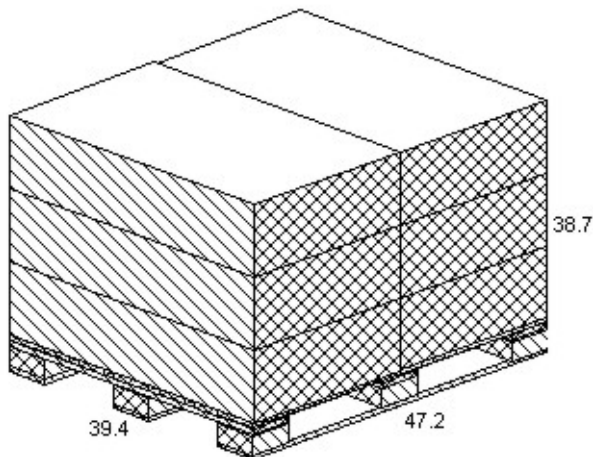


3.1.2 - Secure load to pallet utilizing "Best of Breed" palletization methods.
See (92F6168) - "Best of Breed" Pallet Unitization.

3.1.3 - Place two pallet labels (33G6283) on the front and left sides of the pallet load.

EMEA Site

3.2.1 - Place up to 6 systems on a full size pallet P/N 6038887 or P/N 7310275 in even quantities.



3.2.2 - Secure load to pallet utilizing "Best of Breed" palletization methods.
See (92F6168) - "Best of Breed" Pallet Unitization.

3.2.3 - Place two pallet labels (33G6283) on the front and left sides of the pallet load

Section 4 - Distribution

Worldwide Sites

NOTE: All units will be received into Distribution as indicated above in Section 2, Manufacturing Palletization, and are approved to be stacked 4 pallets high.

- 4.1 - Secure load to pallet (or half pallet) utilizing "Best of Breed" palletization methods. See (92F6168) - "Best of Breed" Pallet Unitization. Use pallet configuration table provided below to determine pallet and empty box usage.

| Quantity | Half Pallet | Full Pallet | Empty Box w/ Label |
|-----------------|--------------------|--------------------|---------------------------|
| 1-3 | X | | |
| 4 | | X | |
| 5 | | X | 1 |
| 6 | | X | |
| 7 | | X | 1 |
| 8 | | X | |

- 4.2 - Label load for shipment as necessary.

EMEA Site

NOTE: All units will be received into Distribution as indicated above in Section 2, Manufacturing Palletization, and are approved to be stacked 4 pallets high.

- 4.2.1 - Secure load to pallet (or half pallet) utilizing "Best of Breed" palletization methods. See (92F6168) - "Best of Breed" Pallet Unitization. Use pallet configuration table provided below to determine pallet and empty box usage.

| Quantity | Half Pallet | Full Pallet | Empty Box w/ Label |
|-----------------|--------------------|--------------------|---------------------------|
| 1-3 | X | | |
| 4 | | X | |
| 5 | | X | 1 |
| 6 | | X | |

- 4.2.2 - Label load for shipment as necessary.

Section 5 - Materials Listing (BOM)

PKG L2 - (32R0200)
 PKG L2 - OEM (32R0201)

PKG WW Common Parts - (32R0219)
 PKG WW Common OEM Parts - (39Y7666)

| P/N | Description | Quantity |
|---------|-------------------------------------|---------------------|
| 39Y7688 | Corrugated Carton - RSC Style | 1 (IBM Artwork) |
| 01R3787 | Corrugated Carton (OEM) RSC - Style | 1 (Generic Artwork) |
| 39Y7667 | Molded Bottom Cushion Set | 1 |
| 39Y7669 | Bottom Front Fab Cushion | 1 -Substitute |
| 39Y7670 | Bottom Rear Fab Cushion | 1 -Substitute |
| 39Y7668 | Molded Top Cushion Set | 1 |
| 39Y7671 | Top Front Fab Cushion | 1 -Substitute |
| 39Y7672 | Top Rear Fab Cushion | 1 -Substitute |
| 39Y7698 | Corrugated Accessory Carton | 1 |
| 39Y7697 | Corrugated Shipgroup Carton | 1 |
| 39Y7673 | Rear Loadspreader | 1 |
| 6165640 | System/Machine PolyBag | 1 |
| 06P6550 | QC Seal | 1 |
| 33G9780 | Label Stock, blank | 2 |
| 74F5699 | Tape -Automatic | As required |
| 74F5698 | Tape -hand held | As required |
| 6272199 | Tape OEM | As required |

NOTE: Part numbers for items such as pallets , labels, tape, banding, banding clips,caps, stretchwrap, and corner boards may vary by manufacturing location .

Records and Controlled Documents

| IBM WRM Plan Record Code * | Description of Record / Controlled Document | Location Where record/controlled document is stored | Owner | Total Retention Period* | Disposition* |
|----------------------------|---|---|-------|-------------------------|--------------|
| | | | | | |
| | | | | | |

* See Worldwide Records Management web site at <http://w3.ibm.com/ibm/documents/wrm/>. "N/A should be used if WRM does not list a record code for the record .

References

| Document Type | Document Number | Document Name |
|---------------|-----------------|---------------|
| | | |

Document Management

| | | | |
|-----------------------|-------------|--|-----------|
| Effective Date | Jun-01-2006 | Review Interval (Maximum Review Interval = 12 months) | 12 months |
| Next | Jun-01-2007 | Retention Period | 24 months |

| | | | |
|--------------------|--|--|--|
| Review Date | | | |
|--------------------|--|--|--|

Revision History

| This Version | Created by | Date | Short Description |
|--------------------------|---------------------------|-------------|--|
| 2 | Ivan Liverman/Raleigh/IBM | Jun-01-2006 | Removed Product Code Name From Table Content Section Of Document.. |
| Previous Versions | | | |
| 1 | Ivan Liverman/Raleigh/IBM | May-25-2006 | Removed Product Code Name From Document. |
| 0 | Ivan Liverman/Raleigh/IBM | Dec-13-2005 | Initial Version |
| | | | |
| | | | |

Long Description

Edits to this Revision

6/1/2006 11:09:06 AM - Ivan Liverman/Raleigh/IBM

Approval Information

| | |
|---|---------------------------|
| Reviewers | |
| Approvers | Ivan Liverman/Raleigh/IBM |
| Select if Approvers will be required to re-enter their password prior to approving or rejecting the document. | N |
| Users | |

Editors

| | |
|-----------------------|---|
| People who can change | Jeffrey Miller/Raleigh/IBM Ivan Liverman/Raleigh/IBM |
| make changes | [QMXADMIN] Mona M Aakre/Rochester/IBM Diane Mitchell/Rochester/IBM Cheryl Wangsness/Rochester/IBM Dale R Mosher/Poughkeepsie/IBM Diane Gonsalves/San Jose/IBM Dale Stuemke/Austin/Contr/IBM Victoria Cyr/Poughkeepsie/IBM Margaret Brinkel/Morrisville/IBM Daniel G Demer/Tucson/IBM Carmen Clark/West Palm Beach/IBM |
| Access restricted to | |

History Log

| | | |
|-------------------------|-------------|---------------------------|
| Date Created | Jun-01-2006 | Ivan Liverman/Raleigh/IBM |
| Date Draft Complete | | |
| Date Review Complete | Jun-01-2006 | Ivan Liverman/Raleigh/IBM |
| Date Approved | Jun-01-2006 | Automatic System |
| Date Distributed | Jun-01-2006 | |
| Date Obsolete Requested | | |
| Date Obsolete | | |

Date Withdrawn

© 2006 IBM Corporation, All Rights Reserved Worldwide
WW SG Document Library Control / D01DB034 / q_dir\qmx\serv\qrodic.nsf

End of Document