

Before using this information and the product it supports, be sure to read the general information under "Introduction" on page 2, and "Read this first" on page 19.

**First Edition (September 1999)**

**The following paragraph does not apply to the United Kingdom or any country where such provisions are inconsistent with local law:**

INTERNATIONAL BUSINESS MACHINES CORPORATION PROVIDES THIS PUBLICATION "AS IS" WITHOUT ANY WARRANTY OF ANY KIND, EITHER EXPRESS OR IMPLIED, INCLUDING, BUT NOT LIMITED TO, THE LIMITED WARRANTIES OF MERCHANTABILITY OR FITNESS FOR A PARTICULAR PURPOSE. Some states do not allow disclaimers or express or implied warranties in certain transactions; therefore, this statement may not apply to you.

This publication could include technical inaccuracies or typographical errors. Changes are periodically made to the information herein; these changes will be incorporated in new editions of the publication. IBM may make improvements or changes in the products or the programs described in this publication at any time.

Requests for technical information about IBM products should be made to your IBM Authorized Dealer or your IBM Marketing Representative.

© **Copyright International Business Machines Corporation 1999. All rights reserved.** Note to US Government Users — Documentation related to restricted rights — Use, duplication, or disclosure is subject to restrictions set forth in GSA ADP Schedule Contract with IBM Corp.

---

## Preface

### *About this manual*

This manual contains service and reference information for IBM ThinkPad i Series 1400/1500 (2621) products. Use this manual along with the advanced diagnostic tests to troubleshoot problems effectively.

The manual is divided into sections as follows:

- The Introduction section provides general information, guidelines, and safety information required to service computers.
- The product-specific section includes service, reference, and product-specific parts information.

#### **Important**

This manual is intended for trained servicers who are familiar with ThinkPad products. Use this manual along with the advanced diagnostic tests to troubleshoot problems effectively. Before servicing an IBM ThinkPad product, be sure to review the safety information under "Safety Notices (Multi-lingual Translations)" on page 4 and "Safety Information" on page 11.

### *Related publications*

The following product publications are available through IBM or your IBM Authorized Dealer.

<b>Publication</b>	<b>Part, Form Number</b>
Mobile Systems HMM Volume 1: Laptop, Notebook, Portable, and ThinkPad Computers (Models L40, CL57, N45, N51, P70/P75, ThinkPad 300, 350, 500, 510, 710T, Expansion Unit, Dock I, Dock II)	30H2356, S82G-1501-01
Mobile Systems HMM Volume 2: ThinkPad Computers (Models 340, 355, 360, 370, 700, 701, 720, 750, 755)	30H2357, S82G-1502-03
Mobile Systems HMM Volume 3: ThinkPad Computers (Models 365, 380, 385, 560, 760, SelectaDock)	84H8099, S82G-1503-05
Mobile Systems HMM Volume 4: ThinkPad Computers (Models 380, 385, 560, 760, 765)	05L1271, S05L-1270-01

### *Related diskettes*

The following diskettes are available through IBM or your IBM Authorized Dealer.

<b>Diskette</b>	<b>Part, Form Number</b>
ThinkPad 300 (2615) Advanced Diagnostics Diskette	33G9361, S33G-9361
ThinkPad 350, 350C, 425, 425C (2618) Advanced Diagnostics Diskette	A211000, GA21-1000
ThinkPad 365 (2625) Advanced Diagnostics Diskette	76H7578, S30H-2498
ThinkPad 380/385 (2635) Maintenance Diskette	06J0333, S06J-0333
ThinkPad 500 (2603) Advanced Diagnostics Diskette	71G3702, S71G-3702
ThinkPad 510 (2604) Advanced Diagnostics Diskette	83G8095, S83G-8095
ThinkPad 700 (9552) Reference Diskette	42G2017, S42G-2017
ThinkPad 700C (9552) Reference Diskette	42G2023, S42G-2023
ThinkPad 720/720C (9552) Reference Diskette	61G1194, S61G-1194
ThinkPad i Series 1400 (2611) Diagnostic and Utilities diskettes	01K4841, S01K-4841-00
ThinkPad Hardware Maintenance Diskette (for all Models 355, 360, 560, 750, 755, 760)	78H5384, S78H-5384
ThinkPad Dock I (3545)	71G4140, S71G-4140
Docking Station (3550)	42G2428, S42G-2428
Data/Fax Modem	61G1556, S61G-1556
FaxConcentrator/A	84F8540, S84F-8540

---

## Contents

<b>Preface</b> . . . . .	iii
<b>ThinkPad i Series 1400/1500 Hardware Maintenance Manual</b> . . . . .	1
General Descriptions . . . . .	1
Introduction . . . . .	2
Important Service Information . . . . .	2
Drive and Diskette Compatibility Matrix . . . . .	3
Safety Notices (Multi-lingual Translations) . . . . .	4
Safety Information . . . . .	11
Laser Compliance Statement . . . . .	16
Read this first . . . . .	19
What to do first . . . . .	19
FRU replacement notices . . . . .	21
LCD replacement notice . . . . .	21
Screw notices . . . . .	21
System board replacement notice . . . . .	22
Related service information . . . . .	24
Power button as reset switch . . . . .	24
Running a low-level format . . . . .	24
Service Web site . . . . .	24
Passwords . . . . .	24
Power management features . . . . .	26
Fn key combinations . . . . .	27
Checkout guide . . . . .	28
Testing the computer . . . . .	28
Related service information . . . . .	29
Power systems checkout . . . . .	30
Product overview . . . . .	33
Status indicators . . . . .	34
FRU tests . . . . .	36
Symptom-to-FRU Index . . . . .	38
Numeric Error Codes and Messages . . . . .	38
LCD-Related Symptoms . . . . .	39
Keyboard/TrackPoint-Related Symptoms . . . . .	40
Indicator-Related Symptoms . . . . .	40
Power-Related Symptoms . . . . .	40
Memory-Related Symptoms . . . . .	41
Audio-Related Symptoms . . . . .	41
PC Card (PCMCIA)-Related Symptoms . . . . .	42
Power Management-Related Symptoms . . . . .	42
Peripheral-Device-Related Symptom . . . . .	42
Modem-Related Symptoms . . . . .	43
Intermittent Problems . . . . .	43
Undetermined Problems . . . . .	43
FRU removals and replacements . . . . .	45
Battery assembly . . . . .	46
CD player panel and CD player control board . . . . .	46
Hard disk drive assembly . . . . .	48
Hard disk drive kitting pack . . . . .	49
Memory cover and memory card . . . . .	50

Modem cover and modem card . . . . .	50
Middle cover and launch key assembly . . . . .	51
Keyboard . . . . .	55
Upper heatsink . . . . .	56
CD-ROM/DVD-ROM assembly . . . . .	57
CD-ROM/DVD-ROM chassis assembly . . . . .	57
PCMCIA holder . . . . .	58
LCD assembly . . . . .	60
Backup battery . . . . .	61
Keyboard bezel . . . . .	62
Diskette drive assembly . . . . .	64
Fan assembly . . . . .	66
DC-DC charger board . . . . .	66
System board . . . . .	67
Bottom case . . . . .	68
LCD bezel assembly (12.1") . . . . .	68
LCD bezel assembly (13.0") . . . . .	69
LCD bezel assembly (14.1") . . . . .	71
LED board (12.1") . . . . .	72
LED board (13.0") . . . . .	73
LED board (14.1") . . . . .	74
LCD inverter (12.1") . . . . .	75
LCD inverter (13.0") . . . . .	76
LCD inverter (14.1") . . . . .	76
Cable assembly of microphone (12.1") . . . . .	77
Cable assembly of microphone (13.0") . . . . .	77
Cable assembly of microphone (14.1") . . . . .	78
LCD bracket hinge assembly, speaker assembly and LCD rear cover assembly (12.1") . . . . .	78
LCD bracket hinge assembly, speaker assembly and LCD rear cover assembly (13.0") . . . . .	80
LCD bracket hinge assembly, speaker assembly, keyboard light, and LCD rear cover assembly (14.1") . . . . .	81
LCD FPC assembly (12.1") . . . . .	83
LCD FPC assembly (13.0") . . . . .	83
LCD FPC assembly (14.1") . . . . .	83
Locations . . . . .	85
Front View . . . . .	85
Rear View . . . . .	86
Bottom View . . . . .	87
Switch Locations . . . . .	88
Parts list (ThinkPad i Series 1400/1500) . . . . .	89
LCD FRU . . . . .	92
Keyboard . . . . .	98
Common parts list . . . . .	99
Notices . . . . .	102
Trademarks . . . . .	103

---

## **ThinkPad i Series 1400/1500 Hardware Maintenance Manual**

---

### **General Descriptions**

This chapter includes descriptions for any ThinkPad model that has the PC-Doctor DOS diagnostics program. Some descriptions might not apply to your particular computer.

---

## Introduction

### Important Service Information

#### Important

Diskette fixes are customer installable. The diskette fixes are located on the PC Company Bulletin Board Service (BBS). The direct phone line for modem connection is 919-557-0001 or tieline 255-0001.

Advise customers to contact the PC Company HelpCenter at 800-772-2227 if they need assistance in obtaining or installing any diskette fixes.

Customers in Canada should call IBM HelpPC at 800-565-3344 for assistance or download information. The Canadian BBS phone numbers are:

**Montreal** 514-938-3022

**Toronto** 905-316-4255

**Vancouver** 604-664-6464

**Winnipeg** 204-934-2735

### FRU Replacement Strategy

#### Before Replacing Parts

Ensure that all diskette fixes are installed prior to replacing any FRUs listed in this manual.

Use the following strategy to prevent unnecessary FRU replacement and service expense:

- **If you are instructed to replace a FRU and that does not correct the problem, reinstall the original FRU before you continue.**
- Some computers have both a processor board and a system board. If you are instructed to replace either the processor board or the system board, and the first board that you replaced does not correct the problem, reinstall the original board, then replace the other (processor or system) board.
- If an adapter or device consists of more than one FRU, an error code may be caused by any of the FRUs. Before replacing the adapter or device, remove the FRUs, one by one, to see if the symptoms change. Replace only the FRU that changed the symptoms.

**Attention:** A customized setup configuration (other than default settings) may exist on the computer you are servicing. Running Automatic Configuration may alter those settings. Note the current configuration settings (using the

View Configuration option) and verify that the settings are in place when service is complete.

### Hard Disk Drive Replacement Strategy:

Always try to run a low-level format before replacing a hard disk drive.

**Attention:** The drive startup sequence in the computer you are servicing might have been changed. Be extremely careful during write operations such as copying, saving, or formatting. Data or programs can be over-written if you select an incorrect drive.

**How to Use Error Messages:** Use the error codes displayed on the screen to diagnose failures. If more than one error code is displayed, begin the diagnosis with the first error code. The cause of the first error code can result in false error codes being displayed. If no error code is displayed, see if the error symptom is listed in the Symptom-to-FRU Index for the computer you are servicing.

**How to Read POST Error Messages:** POST error messages are displayed on the screen as three, four, five, or eight digits. The error messages that can be displayed as shorter POST messages are highlighted in this index. Some digits will represent different information for SCSI errors versus non-SCSI errors. The following example shows which digits display the shorter POST error messages and also defines the SCSI information in an eight-digit error message.

POST

All SCSI devices are set to a different SCSI ID. Duplicate SCSI ID settings can generate a false error message. Use the SCSI ID to determine whether the error message is coming from an internal or an external device.

### Drive and Diskette Compatibility Matrix

The following table provides identification information for 3.5-inch drives.

Diskette Drive	Identifying Mark
3.5-Inch - 1.44MB	1.44 on the eject button
3.5-Inch - 2.88MB	2.88 on the eject button

The following table provides compatibility information for 3.5-inch diskettes and 3.5-inch diskette drives.

Diskette Capacity	1.44MB Drive	2.88MB Drive
1.0MB	Read/Write	Read/Write
2.0MB	Read/Write	Read/Write
4.0MB	Not Compatible	Read/Write



The following table provides identification information for 5.25-inch diskette drives.

Diskette Drive	Identifying Mark
5.25-Inch - 360KB (External)	Asterisk on bezel
5.25-Inch - 1.2MB (Internal)	1.2 on the eject button

The following table provides compatibility information for 5.25-inch diskettes and 5.25-inch diskette drives.

Diskette Capacity	360KB Drive	1.2MB Drive
360KB	Read/Write	Read/Write
1.2MB	Not Compatible	Read/Write

**Note:** A 360KB diskette written to or formatted on a 1.2MB drive can be read reliably only on a 1.2MB drive.

## Safety Notices (Multi-lingual Translations)

In this manual, safety notices appear in English with a page number reference to the appropriate multi-lingual, translated safety notice found in this section.

The following safety notices are provided in English, French, German, Italian, and Spanish languages.

#### Safety Notice 1

Before the computer is powered-on after FRU replacement, make sure all screws, springs, or other small parts are in place and are not left loose inside the computer. Verify this by shaking the computer and listening for rattling sounds. Metallic parts or metal flakes can cause electrical shorts.

Avant de remettre l'ordinateur sous tension après remplacement d'une unité en clientèle, vérifiez que tous les ressorts, vis et autres pièces sont bien en place et bien fixées. Pour ce faire, secouez l'unité et assurez-vous qu'aucun bruit suspect ne se produit. Des pièces métalliques ou des copeaux de métal pourraient causer un court-circuit.

Bevor nach einem FRU-Austausch der Computer wieder angeschlossen wird, muß sichergestellt werden, daß keine Schrauben, Federn oder andere Kleinteile fehlen oder im Gehäuse vergessen wurden. Der Computer muß geschüttelt und auf Klappergeräusche geprüft werden. Metallteile oder -splitter können Kurzschlüsse erzeugen.

Prima di accendere l'elaboratore dopo che è stata effettuata la sostituzione di una FRU, accertarsi che tutte le viti, le molle e tutte le altre parti di piccole dimensioni siano nella corretta posizione e non siano sparse all'interno dell'elaboratore. Verificare ciò scuotendo l'elaboratore e prestando attenzione ad eventuali rumori; eventuali parti o pezzetti metallici possono provocare cortocircuiti pericolosi.

Antes de encender el sistema despues de sustituir una FRU, compruebe que todos los tornillos, muelles y demás piezas pequeñas se encuentran en su sitio y no se encuentran sueltas dentro del sistema. Compruébelo agitando el sistema y escuchando los posibles ruidos que provocarían. Las piezas metálicas pueden causar cortocircuitos eléctricos.

## Safety Notice 2

Some standby batteries contain a small amount of nickel and cadmium. Do not disassemble it, recharge it, throw it into fire or water, or short-circuit it. Dispose of the battery as required by local ordinances or regulations. Use only the battery in the appropriate parts listing. Use of an incorrect battery can result in ignition or explosion of the battery.

Certaines batteries de secours contiennent du nickel et du cadmium. Ne les démontez pas, ne les rechargez pas, ne les exposez ni au feu ni à l'eau. Ne les mettez pas en court-circuit. Pour les mettre au rebut, conformez-vous à la réglementation en vigueur. Lorsque vous remplacez la pile de sauvegarde ou celle de l'horloge temps réel, veillez à n'utiliser que les modèles cités dans la liste de pièces détachées adéquate. Une batterie ou une pile inappropriée risque de prendre feu ou d'exploser.

Die Bereitschaftsbatterie, die sich unter dem Diskettenlaufwerk befindet, kann geringe Mengen Nickel und Cadmium enthalten. Sie darf nur durch die Verkaufsstelle oder den IBM Kundendienst ausgetauscht werden. Sie darf nicht zerlegt, wiederaufgeladen, kurzgeschlossen, oder Feuer oder Wasser ausgesetzt werden. Die Batterie kann schwere Verbrennungen oder Verätzungen verursachen. Bei der Entsorgung die örtlichen Bestimmungen für Sondermüll beachten. Beim Ersetzen der Bereitschafts- oder Systembatterie nur Batterien des Typs verwenden, der in der Ersatzteilliste aufgeführt ist. Der Einsatz falscher Batterien kann zu Entzündung oder Explosion führen.

Alcune batterie di riserva contengono una piccola quantità di nichel e cadmio. Non smontarle, ricaricarle, gettarle nel fuoco o nell'acqua né cortocircuitarle. Smaltirle secondo la normativa in vigore (DPR 915/82, successive disposizioni e disposizioni locali). Quando si sostituisce la batteria dell'RTC (real time clock) o la batteria di supporto, utilizzare soltanto i tipi inseriti nell'appropriato Catalogo parti. L'impiego di una batteria non adatta potrebbe determinare l'incendio o l'esplosione della batteria stessa.

Algunas baterías de reserva contienen una pequeña cantidad de níquel y cadmio. No las desmonte, ni recargue, ni las eche al fuego o al agua ni las cortocircuite. Deséchelas tal como dispone la normativa local. Utilice sólo baterías que se encuentren en la lista de piezas. La utilización de una batería no apropiada puede provocar la ignición o explosión de la misma.

### Safety Notice 3

The battery pack contains small amounts of nickel. Do not disassemble it, throw it into fire or water, or short-circuit it. Dispose of the battery pack as required by local ordinances or regulations. Use only the battery in the appropriate parts listing when replacing the battery pack. Use of an incorrect battery can result in ignition or explosion of the battery.

La batterie contient du nickel. Ne la démontez pas, ne l'exposez ni au feu ni à l'eau. Ne la mettez pas en court-circuit. Pour la mettre au rebut, conformez-vous à la réglementation en vigueur. Lorsque vous remplacez la batterie, veillez à n'utiliser que les modèles cités dans la liste de pièces détachées adéquate. En effet, une batterie inappropriée risque de prendre feu ou d'exploser.

Akkus enthalten geringe Mengen von Nickel. Sie dürfen nicht zerlegt, wiederaufgeladen, kurzgeschlossen, oder Feuer oder Wasser ausgesetzt werden. Bei der Entsorgung die örtlichen Bestimmungen für Sondermüll beachten. Beim Ersetzen der Batterie nur Batterien des Typs verwenden, der in der Ersatzteilliste aufgeführt ist. Der Einsatz falscher Batterien kann zu Entzündung oder Explosion führen.

La batteria contiene piccole quantità di nichel. Non smontarla, gettarla nel fuoco o nell'acqua né cortocircuitarla. Smaltirla secondo la normativa in vigore (DPR 915/82, successive disposizioni e disposizioni locali). Quando si sostituisce la batteria, utilizzare soltanto i tipi inseriti nell'appropriato Catalogo parti. L'impiego di una batteria non adatta potrebbe determinare l'incendio o l'esplosione della batteria stessa.

Las baterías contienen pequeñas cantidades de níquel. No las desmonte, ni recargue, ni las eche al fuego o al agua ni las cortocircuite. Deséchelas tal como dispone la normativa local. Utilice sólo baterías que se encuentren en la lista de piezas al sustituir la batería. La utilización de una batería no apropiada puede provocar la ignición o explosión de la misma.

#### Safety Notice 4

The lithium battery can cause a fire, explosion, or severe burn. Do not recharge it, remove its polarized connector, disassemble it, heat it above 100°C (212°F), incinerate it, or expose its cell contents to water. Dispose of the battery as required by local ordinances or regulations. Use only the battery in the appropriate parts listing. Use of an incorrect battery can result in ignition or explosion of the battery.

La pile de sauvegarde contient du lithium. Elle présente des risques d'incendie, d'explosion ou de brûlures graves. Ne la rechargez pas, ne retirez pas son connecteur polarisé et ne la démontez pas. Ne l'exposez pas à une température supérieure à 100°C, ne la faites pas brûler et n'en exposez pas le contenu à l'eau. Mettez la pile au rebut conformément à la réglementation en vigueur. Une pile inappropriée risque de prendre feu ou d'exploser.

Die Systematterie ist eine Lithiumatterie. Sie kann sich entzünden, explodieren oder schwere Verbrennungen hervorrufen. Batterien dieses Typs dürfen nicht aufgeladen, zerlegt, über 100 C erhitzt oder verbrannt werden. Auch darf ihr Inhalt nicht mit Wasser in Verbindung gebracht oder der zur richtigen Polung angebrachte Verbindungsstecker entfernt werden. Bei der Entsorgung die örtlichen Bestimmungen für Sondermüll beachten. Beim Ersetzen der Batterie nur Batterien des Typs verwenden, der in der Ersatzteilliste aufgeführt ist. Der Einsatz falscher Batterien kann zu Entzündung oder Explosion führen.

La batteria di supporto è una batteria al litio e può incendiarsi, esplodere o procurare gravi ustioni. Evitare di ricaricarla, smontarne il connettore polarizzato, smontarla, riscaldarla ad una temperatura superiore ai 100 gradi centigradi, incendiarla o gettarla in acqua. Smaltirla secondo la normativa in vigore (DPR 915/82, successive disposizioni e disposizioni locali). L'impiego di una batteria non adatta potrebbe determinare l'incendio o l'esplosione della batteria stessa.

La batería de repuesto es una batería de litio y puede provocar incendios, explosiones o quemaduras graves. No la recargue, ni quite el conector polarizado, ni la desmonte, ni caliente por encima de los 100°C (212°F), ni la incinere ni exponga el contenido de sus celdas al agua. Deséchela tal como dispone la normativa local.

#### Safety Notice 5

If the LCD breaks and the fluid from inside the LCD gets into your eyes or on your hands, immediately wash the affected areas with water for at least 15 minutes. Seek medical care if any symptoms from the fluid are present after washing.

Si le panneau d'affichage à cristaux liquides se brise et que vous recevez dans les yeux ou sur les mains une partie du fluide, rincez-les abondamment pendant au moins quinze minutes. Consultez un médecin si des symptômes persistent après le lavage.

Die Leuchtstoffröhre im LCD-Bildschirm enthält Quecksilber. Bei der Entsorgung die örtlichen Bestimmungen für Sondermüll beachten. Der LCD-Bildschirm besteht aus Glas und kann zerbrechen, wenn er unsachgemäß behandelt wird oder der Computer auf den Boden fällt. Wenn der Bildschirm beschädigt ist und die darin befindliche Flüssigkeit in Kontakt mit Haut und Augen gerät, sollten die betroffenen Stellen mindestens 15 Minuten mit Wasser abgespült und bei Beschwerden anschließend ein Arzt aufgesucht werden.

Nel caso che caso l'LCD si dovesse rompere ed il liquido in esso contenuto entrasse in contatto con gli occhi o le mani, lavare immediatamente le parti interessate con acqua corrente per almeno 15 minuti; poi consultare un medico se i sintomi dovessero permanere.

Si la LCD se rompe y el fluido de su interior entra en contacto con sus ojos o sus manos, lave inmediatamente las áreas afectadas con agua durante 15 minutos como mínimo. Obtenga atención medica si se presenta algún síntoma del fluido despues de lavarse.

#### Safety Notice 6

To avoid shock, do not remove the plastic cover that surrounds the lower portion of the inverter card.

Afin d'éviter tout risque de choc électrique, ne retirez pas le cache en plastique protégeant la partie inférieure de la carte d'alimentation.

Aus Sicherheitsgründen die Kunststoffabdeckung, die den unteren Teil der Spannungswandlerplatine umgibt, nicht entfernen.

Per evitare scosse elettriche, non rimuovere la copertura in plastica che avvolge la parte inferiore della scheda invertitore.

Para evitar descargas, no quite la cubierta de plástico que rodea la parte baja de la tarjeta invertida.

#### Safety Notice 7

Though main batteries have low voltage, a shorted or grounded battery can produce enough current to burn combustible materials or personnel.

Bien que le voltage des batteries principales soit peu élevé, le court-circuit ou la mise à la masse d'une batterie peut produire suffisamment de courant pour brûler des matériaux combustibles ou causer des brûlures corporelles graves.

Obwohl Hauptbatterien eine niedrige Spannung haben, können sie doch bei Kurzschluß oder Erdung genug Strom abgeben, um brennbare Materialien zu entzünden oder Verletzungen bei Personen hervorzurufen.

Sebbene le batterie di alimentazione siano a basso voltaggio, una batteria in corto circuito o a massa può fornire corrente sufficiente da bruciare materiali combustibili o provocare ustioni ai tecnici di manutenzione.

Aunque las baterías principales tienen un voltaje bajo, una batería cortocircuitada o con contacto a tierra puede producir la corriente suficiente como para quemar material combustible o provocar quemaduras en el personal.

### Safety Notice 8

Before removing any FRU, power-off the computer, unplug all power cords from electrical outlets, remove the battery pack, then disconnect any interconnecting cables.

Avant de retirer une unité remplaçable en clientèle, mettez le système hors tension, débranchez tous les cordons d'alimentation des socles de prise de courant, retirez la batterie et déconnectez tous les cordons d'interface.

Die Stromzufuhr muß abgeschaltet, alle Stromkabel aus der Steckdose gezogen, der Akku entfernt und alle Verbindungskabel abgenommen sein, bevor eine FRU entfernt wird.

Prima di rimuovere qualsiasi FRU, spegnere il sistema, scollegare dalle prese elettriche tutti i cavi di alimentazione, rimuovere la batteria e poi scollegare i cavi di interconnessione.

Antes de quitar una FRU, apague el sistema, desenchufe todos los cables de las tomas de corriente eléctrica, quite la batería y, a continuación, desconecte cualquier cable de conexión entre dispositivos.

## Safety Information

The following section contains the safety information that you need to be familiar with before servicing an IBM mobile computer.

**General Safety:** Follow these rules to ensure general safety:

- Observe good housekeeping in the area of the machines during and after maintenance.
- When lifting any heavy object:
  1. Ensure you can stand safely without slipping.
  2. Distribute the weight of the object equally between your feet.
  3. Use a slow lifting force. Never move suddenly or twist when you attempt to lift.
  4. Lift by standing or by pushing up with your leg muscles; this action removes the strain from the muscles in your back. *Do not attempt to lift any objects that weigh more than 16 kg (35 lb) or objects that you think are too heavy for you.*
- Do not perform any action that causes hazards to the customer, or that makes the equipment unsafe.



- Before you start the machine, ensure that other service representatives and the customer's personnel are not in a hazardous position.
- Place removed covers and other parts in a safe place, away from all personnel, while you are servicing the machine.
- Keep your tool case away from walk areas so that other people will not trip over it.
- Do not wear loose clothing that can be trapped in the moving parts of a machine. Ensure that your sleeves are fastened or rolled up above your elbows. If your hair is long, fasten it.
- Insert the ends of your necktie or scarf inside clothing or fasten it with a nonconductive clip, approximately 8 centimeters (3 inches) from the end.
- Do not wear jewelry, chains, metal-frame eyeglasses, or metal fasteners for your clothing.  
**Attention:** Metal objects are good electrical conductors.
- Wear safety glasses when you are: hammering, drilling soldering, cutting wire, attaching springs, using solvents, or working in any other conditions that might be hazardous to your eyes.
- After service, reinstall all safety shields, guards, labels, and ground wires. Replace any safety device that is worn or defective.
- Reinstall all covers correctly before returning the machine to the customer.

**Electrical Safety:** Observe the following rules when working on electrical equipment.

**Important**

Use only approved tools and test equipment. Some hand tools have handles covered with a soft material that does not insulate you when working with live electrical currents. Many customers have, near their equipment, rubber floor mats that contain small conductive fibers to decrease electrostatic discharges. Do not use this type of mat to protect yourself from electrical shock.

- Find the room emergency power-off (EPO) switch, disconnecting switch, or electrical outlet. If an electrical accident occurs, you can then operate the switch or unplug the power cord quickly.
- Do not work alone under hazardous conditions or near equipment that has hazardous voltages.
- Disconnect all power before:
  - Performing a mechanical inspection

- Working near power supplies
- Removing or installing main units
- Before you start to work on the machine, unplug the power cord. If you cannot unplug it, ask the customer to power-off the wall box that supplies power to the machine and to lock the wall box in the off position.
- If you need to work on a machine that has exposed electrical circuits, observe the following precautions:
  - Ensure that another person, familiar with the power-off controls, is near you.
 

**Attention:** Another person must be there to switch off the power, if necessary.
  - Use only one hand when working with powered-on electrical equipment; keep the other hand in your pocket or behind your back.
 

**Attention:** There must be a complete circuit to cause electrical shock. By observing the above rule, you may prevent a current from passing through your body.
  - When using testers, set the controls correctly and use the approved probe leads and accessories for that tester.
  - Stand on suitable rubber mats (obtained locally, if necessary) to insulate you from grounds such as metal floor strips and machine frames.

Observe the special safety precautions when you work with very high voltages; these instructions are in the safety sections of maintenance information. Use extreme care when measuring high voltages. Regularly inspect and maintain your electrical hand tools for safe operational condition.

- Do not use worn or broken tools and testers.
- Never assume that power has been disconnected from a circuit. First, check that it has been powered-off.
- Always look carefully for possible hazards in your work area. Examples of these hazards are moist floors, nongrounded power extension cables, power surges, and missing safety grounds.
- Do not touch live electrical circuits with the reflective surface of a plastic dental mirror. The surface is conductive; such touching can cause personal injury and machine damage.
- Do not service the following parts with the power on when they are removed from their normal operating places in a machine:
  - Power supply units
  - Pumps
  - Blowers and fans

- Motor generators and similar units. (This practice ensures correct grounding of the units.)
- If an electrical accident occurs:
  - **Use caution; do not become a victim yourself.**
  - **Switch off power.**
  - **Send another person to get medical aid.**

**Safety Inspection Guide:** The intent of this inspection guide is to assist you in identifying potentially unsafe conditions on these products. Each machine, as it was designed and built, had required safety items installed to protect users and service personnel from injury. This guide addresses only those items. However, good judgment should be used to identify potential safety hazards due to attachment of non-IBM features or options not covered by this inspection guide.

If any unsafe conditions are present, you must determine how serious the apparent hazard could be and whether you can continue without first correcting the problem. Consider these conditions and the safety hazards they present:

- Electrical hazards, especially primary power (primary voltage on the frame can cause serious or fatal electrical shock).
- Explosive hazards, such as a damaged CRT face or bulging capacitor.
- Mechanical hazards, such as loose or missing hardware.

The guide consists of a series of steps presented in a checklist. Begin the checks with the power off, and the power cord disconnected.

Checklist:

1. Check exterior covers for damage (loose, broken, or sharp edges).
2. Power-off the computer. Disconnect the power cord.
3. Check the power cord for:
  - a. A third-wire ground connector in good condition. Use a meter to measure third-wire ground continuity for 0.1 ohm or less between the external ground pin and frame ground.
  - b. The power cord should be the appropriate type as specified in the parts listings.
  - c. Insulation must not be frayed or worn.
4. Remove the cover.
5. Check for any obvious non-IBM alterations. Use good judgment as to the safety of any non-IBM alterations.

6. Check inside the unit for any obvious unsafe conditions, such as metal filings, contamination, water or other liquids, or signs of fire or smoke damage.
7. Check for worn, frayed, or pinched cables.
8. Check that the power-supply cover fasteners (screws or rivets) have not been removed or tampered with.

### Handling Electrostatic Discharge-Sensitive

**Devices:** Any computer part containing transistors or integrated circuits (ICs) should be considered sensitive to electrostatic discharge (ESD). ESD damage can occur when there is a difference in charge between objects. Protect against ESD damage by equalizing the charge so that the machine, the part, the work mat, and the person handling the part are all at the same charge.

#### Notes:

1. Use product-specific ESD procedures when they exceed the requirements noted here.
2. Make sure that the ESD protective devices you use have been certified (ISO 9000) as fully effective.

When handling ESD-sensitive parts:

- Keep the parts in protective packages until they are inserted into the product.
- Avoid contact with other people.
- Wear a grounded wrist strap against your skin to eliminate static on your body.
- Prevent the part from touching your clothing. Most clothing is insulative and retains a charge even when you are wearing a wrist strap.
- Use the black side of a grounded work mat to provide a static-free work surface. The mat is especially useful when handling ESD-sensitive devices.
- Select a grounding system, such as those listed below, to provide protection that meets the specific service requirement.

**Note:** The use of a grounding system is desirable but not required to protect against ESD damage.

- Attach the ESD ground clip to any frame ground, ground braid, or green-wire ground.
- Use an ESD common ground or reference point when working on a double-insulated or battery-operated system.
- You can use coax or connector-outside shells on these systems.
- Use the round ground-prong of the AC plug on AC-operated computers.

**Grounding Requirements:** Electrical grounding of the computer is required for operator safety and correct system function. Proper grounding of the electrical outlet can be verified by a certified electrician.

### **Laser Compliance Statement**

Some IBM Personal Computer models are equipped from the factory with a CD-ROM drive. CD-ROM drives are also sold separately as options. The CD-ROM drive is a laser product. The CD-ROM drive is certified in the U.S. to conform to the requirements of the Department of Health and Human Services 21 Code of Federal Regulations (DHHS 21 CFR) Subchapter J for Class 1 laser products. Elsewhere, the drive is certified to conform to the requirements of the International Electrotechnical Commission (IEC) 825 and CENELEC EN 60 825 for Class 1 laser products.

When a CD-ROM drive is installed, note the following.



**CAUTION:**

Use of controls or adjustments or performance of procedures other than those specified herein might result in hazardous radiation exposure.

O uso de controles, ajustes ou desempenho de procedimentos diferentes daqueles aqui especificados pode resultar em perigosa exposição à radiação.

凡未在这里指明的任何控制用法、调整、行为，

都会导致严重后果。

Pour éviter tout risque d'exposition au rayon laser, respectez les consignes de réglage et d'utilisation des commandes, ainsi que les procédures décrites.

Werden Steuer- und Einstellelemente anders als hier festgesetzt verwendet, kann gefährliche Laserstrahlung auftreten.

Az itt előírt eljárásoktól, beállítástól és vezérlésektől eltérni a lézersugárzás veszélye miatt kockázatos !

L'utilizzo di controlli, regolazioni o l'esecuzione di procedure diverse da quelle specificate possono provocare l'esposizione a

Использование элементов настройки и выполнение процедур иных, чем указано здесь, может привести к опасному радиационному облучению.

Použitie kontrôl, úprav alebo iných vykonaní od iných výrobcov, ako je v tomto špecifikované, mohlo by mať za následok nebezpečenstvo vystavenia sa vyžiarovaniu.

El uso de controles o ajustes o la ejecución de procedimientos distintos de los aquí especificados puede provocar la exposición a radiaciones peligrosas.

Opening the CD-ROM drive could result in exposure to hazardous laser radiation. There are no serviceable parts inside the CD-ROM drive. **Do not open.**

Some CD-ROM drives contain an embedded Class 3A or Class 3B laser diode. Note the following.

**DANGER**

**Laser radiation when open. Do not stare into the beam, do not view directly with optical instruments, and avoid direct exposure to the beam.**

**Radiação por raio laser ao abrir. Não olhe fixo no feixe de luz, não olhe diretamente por meio de instrumentos óticos e evite exposição direta com o feixe de luz.**

开启时会有激光发射时，请勿直视激光光束，请勿直接查看视觉仪器，并且避免直接接触在激光光束之中。

**Rayonnement laser si carter ouvert. Évitez de fixer le faisceau, de le regarder directement avec des instruments optiques, ou de vous exposer au rayon.**

**Laserstrahlung bei geöffnetem Gerät. Nicht direkt oder über optische Instrumente in den Laserstrahl sehen und den Strahlungsbereich meiden.**

**Kinyitáskor lézersugár ! Ne nézzen bele se szabad szemmel, se optikai eszközökkel. Kerülje a sugárnyalábbal való érintkezést !**

**Aprendo l'unità vengono emesse radiazioni laser. Non fissare il fascio, non guardarlo direttamente con strumenti ottici e evitare l'esposizione diretta al fascio.**

Открывая, берегитесь лазерного излучения. Не смотрите на луч, не разглядывайте его с помощью оптических инструментов, а также избегайте прямого воздействия лазерного луча.

Keď je laserová jednotka otvorená. Vyhnite sa priamemu pohľadu a nehladte priamo s optickými nástrojmi do lúča a vyhnite sa priamemu vystaveniu lúčov.

**Radiación láser al abrir. No mire fijamente ni examine con instrumental óptico el haz de luz. Evite la exposición directa al haz.**

---

## Read this first

Before you go to the check procedures, be sure to read this section.

### Important Notes

- **Only certified trained personnel should service the computer.**
- Read the entire FRU service procedures before replacing any FRUs.
- **Use new nylon-coated screws when you replace FRUs.**
- **Be extremely careful during write operations such as copying, saving, or formatting.** Drives in the computer that you are servicing might have been rearranged or the drive startup sequence might have been altered. If you select an incorrect drive, data or programs could be overwritten.
- **Replace FRUs only for the correct model.** When you replace a FRU, make sure that the model of the machine and FRU part number are correct by referring to the FRU parts list.
- **A FRU should not be replaced because of a single, unreproducible failure.** Single failure can occur for a variety of reasons that have nothing to do with a hardware defect, such as: cosmic radiation, electrostatic discharge, or software error. FRU replacement should be considered only when a recurring problem exists. In this case, clear the error log and run the test again. Do not replace FRUs if log errors do not reappear.
- **Be careful not to replace a non-defective FRU.**

## What to do first

The servicer must include the following in the parts exchange form or parts return form that is attached to the returned FRU:

1. Name and phone number of servicer
2. Date of service
3. Date when part failed
4. Date of purchase
5. Failure symptoms, error codes appearing on display, and beep symptoms
6. Procedure index and page number in which failing FRU was detected
7. Failing FRU name and part number
8. Machine type, model number and serial number
9. Customer's name and address



Before checking problems with the computer, determine whether the damage is covered under the warranty by referring to the following:

**Note for Warranty:**

**For Warranty:**

During the warranty period, the customer may be responsible for repair costs if the computer damage was caused by misuse, accident, modification, unsuitable physical or operating environment, or improper maintenance by the customer. The following list provides some common items that are not covered under warranty and some symptoms that may indicate the system was subjected to stresses beyond normal use.

**The following is not covered under warranty:**

- LCD panel cracked by applying excessive force or by being dropped.
- Scratched (cosmetic) parts.
- Cracked or broken plastic parts, broken latches, broken pins, or broken connectors caused by excessive force.
- Damage caused by liquid spilled into the system.
- Damage caused by improperly inserting a PC Card or installation of an incompatible card.
- Damage caused by foreign material in the FDD.
- Diskette drive damage caused by pressing the diskette drive cover or inserting diskettes with multiple labels.
- Damaged or bent diskette drive eject button.
- CD-ROM/DVD-ROM drive damage caused by excessive force, shock, or by being dropped.
- Fuses blown by attaching a nonsupported device.
- Forgotten computer password (making the computer unusable).

**The following symptoms might indicate damage caused by non-warranted activities:**

- Missing parts may be a symptom of unauthorized service or modification.
- HDD spindles can become noisy if subjected to excessive force or by being dropped.
- 19990303 errors can be caused by exposure to strong magnetic fields.

---

## FRU replacement notices

This section contains notices for removal and replacement. Read this section carefully before replacing any FRU.

### LCD replacement notice

The TFT LCD for the computer contains over 2,359,296 thin-film transistors (TFTs). A small number of missing, discolored, or lighted dots (on all the time) is characteristic of TFT LCD technology, but excessive pixel problems can cause viewing concerns. The LCD should be replaced if the number of missing, discolored, or lighted dots in any background is:

- SVGA (12."): 4 or more bright dots, 4 or more dark dots, or a total of 8 or more bright and dark dots.
- XGA (14.1"): 7 or more bright dots, 7 or more dark dots, or a total of 8 or more bright and dark dots.

### Screw notices

This computer uses special nylon-coated screws with the following characteristics:

- They maintain tight connections.
- They do not easily come loose, even with shock or vibration.
- They need additional force to tighten.
- They should be used only once.

Do the following when you service this machine:

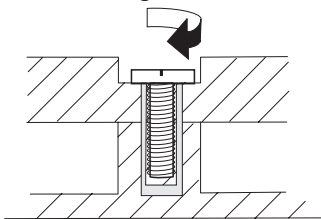
- Keep the screw kit (P/N 05K4841) in your tool bag.
- Always use new screws if you are instructed.
- Use a torque screwdriver if you have one.

Loose screws can cause a reliability problem. The IBM ThinkPad computer addresses this problem with nylon-coated screws. Tighten screws as follows:

- Plastic to plastic

Turn an additional **90 degrees** after the screw head touches the surface of the plastic part:

90 degrees more

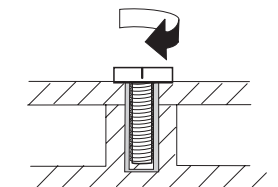


(Cross-section)

- Logic card to plastic

Turn an additional **180 degrees** after the screw head touches the surface of the plastic part:

180 degrees more



(Cross-section)

- Torque driver  
If you have a torque driver, refer to the "Torque" column with each step.
- Make sure you use the correct screw, and tighten all screws firmly to the torque shown in the table if you have a torque screwdriver. **Never use a screw that you removed. Use a new one. Make sure the screws are tightened firmly.**

## System board replacement notice

### Restoring the system unit serial number:

The EEPROM on the inverter contains vital product data (VPD), such as the system unit serial number and the system board serial number. You must restore the system unit serial number to its original number when the system board is replaced.

To restore the system unit serial number, do the following:

1. Install the ThinkPad Hardware Maintenance Diskette Version 1.60 and restart the computer.
2. Select **1. Set System Identification** from the main menu.
3. Verify the system unit serial number displayed. If it is incorrect, type the correct number on the panel.

### Notes:

1. Do not power-off the computer during the restoration process.
2. The serial number label is attached to the bottom of the computer.

When the computer was manufactured, the EEPROM on the inverter was loaded with the serial numbers of the system and all major components. The EEPROM contains the following serial numbers:

- System board serial number
- System unit serial number

You must restore the system unit serial number to its original value when replacing the system board.

To save the original serial number, do the following:

1. Install the ThinkPad Hardware Maintenance Diskette Version 1.60 and restart the computer.
2. Select **1. Set System Identification** from the main menu.
3. Select **2. Read S/N data from EEPROM**.

Each serial number is displayed with its device type. Write down the system unit serial number. The device type designations for each serial number are as follows:

- 20: System unit serial number
- 40: System board serial number

To restore the serial number after you have replaced the system board, do the following:

1. Install the ThinkPad Hardware Maintenance Diskette Version 1.60 and restart the computer.
2. Select **1. Set System Identification** from the main menu.
3. Select **1. Add S/N data from EEPROM**.

Follow the instructions on the screen.

**Note:** The system unit serial number is written in the label attached on the bottom of the computer.

**UUID:** The Universal Unique Identifier (UUID) is a 128-bit number uniquely assigned to your computer at production and stored in the EEPROM of your inverter. The algorithm that generates the unique number is designed to provide unique IDs until the year A.D. 3400. Consequently, no two computers in the world will have the same number.

When you replace the system board, you must set the UUID on the new system board as follows:

1. Install the ThinkPad Hardware Maintenance Diskette Version 1.60 and restart the computer.
2. Select **4. Assign UUID** from the main menu.

A new UUID is created and written. If a valid UUID already exists, it is not overwritten.

---

## Related service information

This section provides information about the following:

- “Power button as reset switch”
- “Running a low-level format”
- “Service Web site”
- “Passwords”
- “Power management features” on page 26
- “Fn key combinations” on page 27

### Power button as reset switch

The power button acts as a reset switch when pressed for more than 4 seconds. This resets the system (regardless of the microcode status) and forces the power off. Use this only when power is not completely off or the microcode is in a hung state.

### Running a low-level format

**Attention:** Make sure the drive address to be formatted is correct. This procedure erases all information on the disk.

To format the hard disk, use the **Full Erase Hard Drive** or **Quick Erase Hard Drive** in Utility of the PC-Doctor DOS program. Refer to “Testing the computer” on page 28.

### Service Web site

When the latest maintenance diskette and system program service diskette are available, they are posted on:

**Maintenance diskette:**

<http://www.pc.ibm.com/partner/infotips>

**System program service diskette:**

<http://pcbbs.raleigh.ibm.com>

### Passwords

When the power-on password (POP), hard disk password (HDP), and setup password (SUP) (the same function as supervisor password) are used, the following situations may occur:

- **If the POP is the same as the HDP**, the POP prompt appears, but the HDP prompt does not appear.
- **If the POP is not the same as the HDP**, both prompts appear.
- **The SUP and the HDP:**  
If the SUP is used, the HDP is enabled automatically, and no HDP prompt appears. The HDP is set the same as the SUP.

## Setup (Supervisor) and hard disk pass-

**words:** The setup password and hard disk password are security features that are used to protect the system and the hard disk data from unauthorized access. No overriding capability is provided, so cannot be replaced if they are forgotten. If the customer forgets the setup password, the system board must be replaced. If the customer forgets the hard disk password, the hard disk must be replaced.

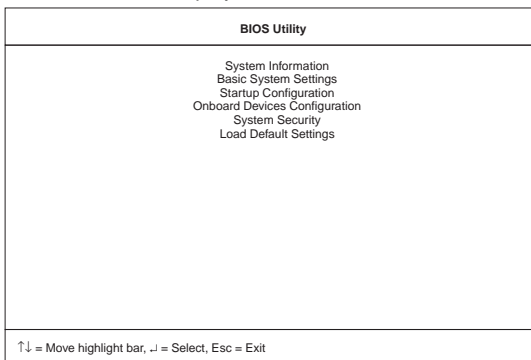
**Attention:** The setup password and hard disk password can not be replaced if they are forgotten. If the customer forgets the setup password, the system board must be replaced. If the customer forgets the hard disk password, the hard disk must be replaced.

**Removing the power-on password:** If only the power-on password is set, do the following to remove it:

1. Power off the computer.
2. Remove the battery and the AC Adapter.
3. Remove the backup battery (RTC) 20 minutes or use the screw driver to touch the backup battery (RTC) 1 sec.
4. Put back the backup battery (RTC).
5. Power on the computer and wait until the POST ends.
6. Verify that the password prompt does not appear.

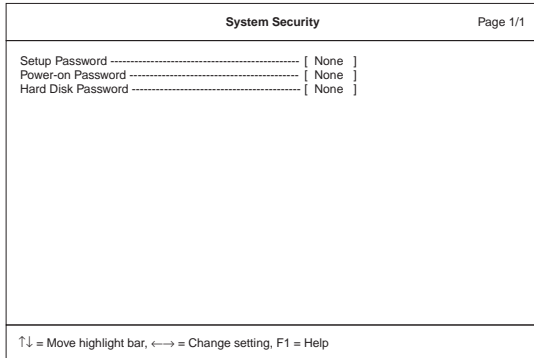
If both the power-on password and the setup password are set, do the following to remove the password:

1. Power on the computer and press **F1** to enter the BIOS Utility menu.
2. Enter the setup password.
3. The main screen displays as below:



4. Using the up or down arrow key, select **System Security**.
5. Press the **Enter** key.

The password selection window appears:



6. Move the highlight bar to **Power-on Password**.
7. Select **None**.
8. Save the change, and exit the BIOS Utility menu.

## Power management features

Two power management modes are available in the computer system to reduce power consumption and to prolong battery life.

**Standby mode:** When in standby mode, the following occurs:

- The LCD backlight turns off.
- The hard disk motor either spins down or stops (controlled by OS).
- CPU enters stop-grant mode.

Events that cause the computer to enter standby mode:

**Note:** These events depend on the **Power buttons** settings (options set to standby mode) in the "Advanced" page of the "Power Management Properties" screen.

- Standby requested by the Sleep button (Fn+F4)
- Standby requested by the power button
- Standby requested by closing the lid.

Events that cause the computer to exit standby mode:

- RTC alarm
- Power-on switch is operated
- Any key or Easy Launch button operation
- The LCD is opened (if the system entered standby mode from closing the lid).

**Note:** This is true if **When I close the lid of my portable computer:** is set to **Standby** in the "Advanced" page of the "Power Management Properties" screen

- Plug-in or plug-out of USB devices

- A serial or PC Card device signals the modem ring indicator  
**Note:** The modem ring wakeup function is effective only on embedded PC Card modem devices.
- The battery power is at a critical level.

**Hibernation mode:** When in hibernation mode, the following occurs:

- The system status, RAM, VRAM, and setup data are stored on the hard disk.
- The system is powered off.

Events that cause the computer to enter hibernation mode:

**Note:** These events depend on the **Power buttons** settings (options set to hibernation mode) in the "Advanced" page of the "Power Management Properties" screen.

- Hibernation requested by the Sleep button (Fn+F4)
- Hibernation requested by the power button
- Hibernation requested by closing the lid.

Events that cause the computer to exit hibernation mode:

- RTC alarm
- Power-on switch is operated

When power is turned on, the hibernation history in the boot record on the hard disk is recognized and the system status is restored from the hard disk to resume operation.

## Fn key combinations

The following table shows the Fn key and function key combinations and their corresponding functions. The Fn key works independently of the operating system. The operating system obtains the status through the system management interface to control the system.

Fn key	Function
Fn+F1	Launch Control at a glance.
Fn+F2	Launch Power Management Properties.
Fn+F4	Sleep button
Fn+F7	Switch display output location.
Fn+Home	Brightness up
Fn+End	Brightness down
Fn+Ins	Contrast up (HPA LCD models only)
Fn+Del	Contrast down (HPA LCD models only)



---

## Checkout guide

Use the following procedure as a guide for computer problems.

**Note:** The diagnostic tests are intended to test only IBM products. Non-IBM products, prototype cards, or modified options can give false errors and invalid system responses.

1. Obtain the failing symptoms in as much detail as possible.
2. Verify the symptoms by attempting to recreate the failure by running the diagnostic test or by repeating the same operation.

## Testing the computer

The ThinkPad computer has a test program called PC-Doctor DOS (hereafter called *PC-Doctor*). You can detect errors by running the diagnostics test of PC-Doctor. This section is an overview on detecting the problem. Refer to "Product overview" on page 33 for details that depend on model-unique functions.

To run the test, do the following:

**Note:** In the following procedure, you can select an item not only with the arrow keys, but also with the TrackPoint. Instead of pressing **Enter**, you can click the left click button.

1. Insert the PC-Doctor DOS Disk into the diskette drive; then power on the computer.

If the computer cannot be powered on, go to "Power systems checkout" on page 30 and check the power sources.

If an error code appears, go to "Symptom-to-FRU Index" on page 38.

The PC-Doctor main panel appears.

2. Select **Diagnostics** with the arrow keys, and press **Enter**.

A pull-down menu appears:

**Note:** The pull-down menu differs depending on the model.

3. Run the applicable function test.
4. Follow the instructions on the screen. If there is a problem, PC-Doctor shows some messages.
5. Reseat the cable or connector of the detected FRU and run the test again.

If the error recurs, replace the FRU that caused the error.

**Note:** With some FRUs, especially the system board, the problem might be caused by

peripheral FRUs. Verify that each peripheral FRU, such as the flexible cable, has no problem by doing the following:

- a. Replace each peripheral FRU one at a time, and run the test again.
- b. If the peripheral FRUs have no problem, replace the main FRU itself.

To see the FRU structure of each model, refer to "Product overview" on page 33.

6. To exit the test, select **Quit – Exit Diag.**

To cancel the test, press **Esc**.

The following table lists the options on the test menu.

Diagnostics	Interactive Tests
<ul style="list-style-type: none"> <li>• Run Normal Test</li> <li>• Run Quick Test</li> <li>• CPU/Coprocessor</li> <li>• Systemboard</li> <li>• Video Adapter</li> <li>• Serial Ports</li> <li>• Fixed Disks</li> <li>• Diskette Drives</li> <li>• Other Devices</li> <li>• Memory Test – Full</li> <li>• Memory Test – Quick</li> </ul>	<ul style="list-style-type: none"> <li>• Keyboard</li> <li>• Video</li> <li>• Internal Speaker</li> <li>• Mouse</li> <li>• Joystick</li> <li>• Diskette</li> <li>• System Load</li> <li>• CD-ROM/DVD</li> <li>• Stereo Speaker</li> </ul>
<p><b>Note:</b> In <b>Keyboard</b> test within <b>Interactive Tests</b>, the <b>Fn</b> key is scanned only once. Each key should be pressed for at least 2 seconds; otherwise, it cannot be sensed.</p>	

## Related service information

PC-Doctor can detect the following system information:

### Hardware Info:

- System Configuration
- Memory Contents
- Physical Disk Drive
- Logical Disk Drive
- VGA Information
- IDE Drive Information
- PCI Information
- PNPISA Information
- SMBIOS Information
- FRU Information

**Utility:**

- Run External Tests
- Surface Scan Hard Disk
- Benchmark System
- DOS Shell
- Tech Support Form
- Battery Rundown
- View Test Log
- Print Log
- Save Log
- Full Erase Hard Drive
- Quick Erase Hard Drive

**Power systems checkout**

To verify the symptom of the power problem on the computer, do the following:

1. Power off the computer.
2. Remove the battery pack.
3. Connect the AC Adapter.
4. Check that power is supplied when you power on the computer.
5. Power off the computer.
6. Disconnect the AC Adapter and install the charged battery pack.
7. Check that power is supplied by the battery pack when you power on the computer.

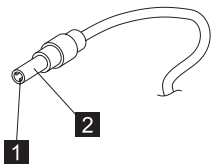
If you suspect a power problem, refer to the appropriate power supply check listed below:

- “Checking the AC Adapter”
- “Checking operational charging” on page 31
- “Checking the Battery ASM” on page 31

**Checking the AC Adapter:** You care here because the computer fails only when the AC Adapter is used:

- If the power-on indicator does not turn on, check the power cord of the AC Adapter for correct continuity and installation.
- If the operational charge does not work, go to “Checking operational charging” on page 31.

Unplug the AC Adapter cable from the computer and measure the output voltage at the plug of the AC Adapter cable. See the following figure:



Pin	Voltage (V dc)
1	15.5 17.0
2	Ground

If the voltage is not correct, replace the AC Adapter.

If the voltage is within the range, do the following:

- Replace the DC-DC & BATT board.
- Replace the system board.
- If the problems still persist, go to “Undetermined Problems” on page 43.

**Note:** An audible noise from the AC Adapter does not always indicate a defect.

**Checking operational charging:** To check operational charging, use a discharged battery pack (Battery ASM) or a Battery ASM that has less than 50% of the total power remaining when installed in the computer.

Perform operational charging. If the battery status indicator or icon does not turn on, remove the Battery ASM and let it return to room temperature. Reinstall the Battery ASM. If the charge indicator or icon still does not turn on, replace the Battery ASM.

If the charge indicator still does not turn on, replace the DC-DC & BATT board, then the system board. Then reinstall the Battery ASM. If the reinstalled Battery ASM is not charged, go to the next section.

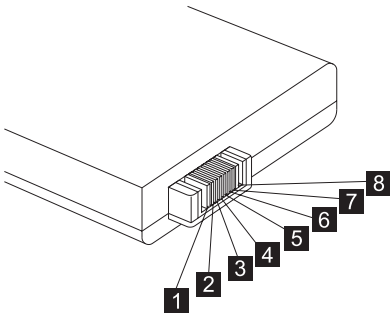
**Checking the Battery ASM:** Battery charging does not start until the Fuel-Gauge shows that less than 95% of the total power remains; with this condition the battery pack can charge to 100% of its capacity. This protects the Battery ASM from being overcharged or from having a shortened life.

**Note:** The Battery ASM might not be able to charged when it is hot. In that case, remove it from the computer and leave it at room temperature for a while. After it cools down, reinstall it and recharge it.

Do the following:

1. Power off the computer.

- Remove the battery pack and measure the voltage between battery terminals 1 (+) and 7 (-). See the following figure.



Terminal	Signal / Voltage (V dc)
1	Ground
2	BT-SENSE
3	BT-SCLK
4	BT-SDATA
5	BT-TH
6	BT+SENSE
7	BT+

**Note:** Signal lines, not used in these steps, are used for communications between the system and the battery.

- If the voltage is less than 10.6V (Li-Ion) or 9.6V (NiMH), the Battery ASM has been discharged, recharge the Battery ASM. If the voltage is still less than 10.6V (Li-Ion) or 9.6V (NiMH), replace the battery.
- If the voltage is more than 10.6V (Li-Ion) or 9.6V (NiMH), measure the resistance between battery terminals 5 and 7. The resistance must be 390Ω (Li-Ion) or 10KΩ (NiMH). If the resistance is not correct, replace the Battery ASM. If the resistance is correct, replace the DC-DC & BATT board, then the system board.

---

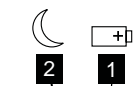
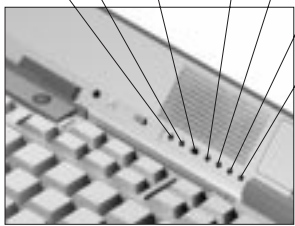
## Product overview

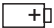






The following shows an overview of the system features.

Feature	Description
Processor	Intel** Celeron** processor 400, 433 or 466 MHz
Bus architecture	PCI
System memory	2 DIMM slots, no memory on system board 32 MB, 64 MB, and 128 MB DIMM card Maximum frequency: 66 MHz
CMOS RAM	114 bytes + 4 Kbytes
Video	12.1-inch, 16M colors, 800x600 pixel TFT SVGA color LCD 13.0-inch, 16M colors, 800x600 pixel HPA SVGA color LCD —or— 14.1-inch, 16M colors, 1024x768 pixel TFT XGA color LCD
Audio	16-bit audio Internal stereo speakers Internal microphone
Diskette drive	1.44MB (3-mode), 3.5 inch
Hard disk drive	3.2GB above, 2.5-inch, E-IDE interface
CD-ROM drive or DVD-ROM drive	CD-ROM: 5.25-inch, 24X speed, E-IDE interface —or— DVD-ROM: 5.25-inch, 4X speed, E-IDE interface
Modem	56.6 Kbps, internal (depends on the model)
PC Card (PCMCIA)	One Type III or Type II, with CardBus and ZV support
I/O ports	External monitor Speaker-out Line-in Microphone-in DC-in Mouse/keyboard Parallel Serial USB Telephone (RJ11) TV-out (S-video)
AC Adapter	56-Watt type

## Status indicators

The system-status indicators on the computer show the current status of your computer by their on or off states and colors (green and orange). Each indicator is identified with a symbol. The following shows the location and the meaning of each icon:



Symbol	Color	Meaning
(1) Battery status 	Green	Enough battery power remains for operation.
	Blinking orange	The battery pack needs to be charged
	Orange	The battery pack is being charged.
(2) Standby mode 	Green	The computer is in standby mode
	Blinking green	The computer is entering or resuming from hibernation mode.
(3) Drive in use 	Orange	Data is being read from or written to the hard disk, floppy drive, or data is being read from the CD-ROM drive. Do not enter standby mode or power off the computer when this indicator is on.
(4) Numeric lock 	Green	The numeric keypad on the keyboard is enabled. You enable or disable the keypad by pressing and holding the <b>Shift</b> key, and pressing the <b>NumLk</b> key. For details, see the <i>User's Reference</i> .
(5) Caps lock 	Green	Caps Lock mode is enabled. All alphabetic characters (A-Z) are entered in capital letters without the <b>Shift</b> key being pressed. You enable or disable the Caps Lock mode by pressing the <b>Caps Lock</b> key.
(6) Scroll lock 	Green	Scroll Lock mode is enabled. The <b>Arrow</b> keys can be used as screen-scroll function keys. The cursor cannot be moved with the <b>Arrow</b> keys. <i>Not all application programs support this function.</i> You enable or disable Scroll Lock mode by pressing the <b>ScrLk</b> key.
(7) Power on 	Green	The computer is operational. This indicator is on when the computer is on.



## FRU tests

The following table shows the applicable test for each FRU using PC-Doctor.

FRU	Applicable test
System board	<ol style="list-style-type: none"> <li>1. CPU/Coprocessor (<b>Diagnostics</b>)</li> <li>2. System board (<b>Diagnostics</b>)</li> </ol>
Power	Battery ( <b>Diagnostics</b> )
LCD unit	<ol style="list-style-type: none"> <li>1. Video Adapter (<b>Diagnostics</b>)</li> <li>2. Video (<b>Interactive Tests</b>)</li> </ol>
Modem	<ol style="list-style-type: none"> <li>1. Make sure the modem set up correctly.</li> <li>2. Replacing the modem jack and modem card one at a time, run the modem tests in Other Devices (<b>Diagnostics</b>)</li> </ol>
Audio	Internal Speaker ( <b>Interactive Tests</b> ) Stereo Speaker ( <b>Interactive Tests</b> )
Speaker	System beeper: Internal Speaker ( <b>Interactive Tests</b> )
PC Card slots	System board ( <b>Diagnostics</b> )
Keyboard	<ol style="list-style-type: none"> <li>1. Keyboard (<b>Diagnostics</b>)</li> <li>2. Keyboard (<b>Interactive Tests</b>)</li> </ol>
TrackPoint or Pointing device	<p>If the TrackPoint does not work, see if an external PS/2 mouse is connected to the mouse/keyboard connector and remove it. The TrackPoint is automatically disabled if an external PS/2 mouse is attached. Check also if the TrackPoint driver is correctly installed by accessing Windows Device Manager via the System icon in the Control Panel.</p> <p>After you use the TrackPoint, the pointer drifts on the screen for a short time. This self-acting pointer movement can occur when a slight, steady pressure is applied to the TrackPoint pointer. This symptom is not a hardware problem. No service actions are necessary if the pointer movement stops in a short period of time.</p> <p>If this does not correct the TrackPoint problem, continue with the following: Mouse (<b>Interactive Tests</b>).</p>
Hard disk drive	Fixed Disks ( <b>Diagnostics</b> )
Diskette drive	<ol style="list-style-type: none"> <li>1. Diskette Drive (<b>Diagnostics</b>)</li> <li>2. Diskette (<b>Interactive Tests</b>)</li> </ol>
CD-ROM or DVD-ROM drive	CD-ROM/DVD ( <b>Interactive Tests</b> )

FRU	Applicable test
Memory	<ol style="list-style-type: none"> <li>1. If a DIMM is installed, remove it and run Memory Test-Quick (<b>Diagnostics</b>)</li> <li>2. If the problem does not recur, replace the DIMM and run the test again.</li> <li>3. If the test does not detect the error, run Memory Test-Full (<b>Diagnostics</b>)</li> </ol>
Fan	<ol style="list-style-type: none"> <li>1. Start Windows 98 and check the air turbulence at the louvre at the rear of the computer.</li> <li>2. Run the fan test in Other Devices (<b>Diagnostics</b>).</li> </ol>

---

## Symptom-to-FRU Index

The Symptom-to-FRU Index lists the symptoms and errors and the possible causes. The most likely cause is listed first.

**Note:** Perform the FRU replacement or actions in the sequence shown in the FRU/Action columns. If a FRU does not solve the problem, put the original part back in the computer. Do not replace a non-defective FRU.

This index can also be used to help you decide which FRUs should be available when servicing a computer.

Numeric error codes show the errors detected in POST or system operation (runtime). In the following error codes, X can be any number.

If no codes are available, use narrative symptoms.

If the symptom, is not listed, go to "Undetermined Problems" on page 43.

**Note:** For any IBM device not supported by the diagnostic codes in this ThinkPad computer, see the manual for that device.

## Numeric Error Codes and Messages

Error Code	Message	FRU/Action in Sequence
006	Equipment Configuration Error	Enter BIOS Utility and execute "Load Setup Default Settings"; then reboot the system.
040	Diskette Drive Controller Error	<ul style="list-style-type: none"><li>• Go to "FRU tests" on page 36.</li><li>• Diskette drive</li><li>• System board</li></ul>
070	Real Time Clock Error 1	<ul style="list-style-type: none"><li>• Backup battery (RTC battery)</li><li>• Enter BIOS Utility and execute "Load Setup Default Settings"; then reboot the system.</li><li>• System board</li></ul>
071	CMOS Battery Bad 4	<ul style="list-style-type: none"><li>• Backup battery (RTC battery)</li><li>• Enter BIOS Utility and execute "Load Setup Default Settings"; then reboot the system.</li><li>• System board</li></ul>

Error Code	Message	FRU/Action in Sequence
072	CMOS Checksum Error 1	Enter BIOS Utility and execute "Load Setup Default Settings"; then reboot the system.
110	Incorrect Password Specified. System Halted 1	<ul style="list-style-type: none"> <li>Set SWZ1 Pin 6 (Check Password) to "0".</li> <li>Enter BIOS Utility and clear password.</li> <li>Set SWZ1 Pin 6 (Check Password) to "1".</li> </ul>
252	VPD Checksum Error	<ul style="list-style-type: none"> <li>Run CE Utility.</li> <li>Input correct data.</li> </ul>
	Operating system not found	Boot from system diskette.

## LCD-Related Symptoms

### LCD FRU Replacement Notice

The TFT LCD for the computer contains over 2,359,296 thin-film transistors (TFTs). A small number of missing, discolored, or lighted dots (on all the time) is characteristic of TFT LCD technology, but excessive pixel problems can cause viewing concerns. The LCD should be replaced if the number of missing, discolored, or lighted dots in any background is:

- SVGA (12."): 4 or more bright dots, 4 or more dark dots, or a total of 8 or more bright and dark dots.
- XGA (14.1"): 7 or more bright dots, 7 or more dark dots, or a total of 8 or more bright and dark dots.

Symptom/Error	FRU/Action in Sequence
LCD backlight does not work. LCD is too dark. LCD brightness cannot be adjusted. LCD contrast cannot be adjusted (HPA LCD models only).	<ul style="list-style-type: none"> <li>Keyboard (if contrast and brightness function keys do not work)</li> <li>Reseat LCD connector</li> <li>Check LCD inverter ID</li> <li>LCD FPC ASM</li> <li>LCD inverter</li> <li>LCD</li> <li>System board</li> </ul>

Symptom/Error	FRU/Action in Sequence
Unreadable LCD screen. Missing pels in characters. Abnormal screen Wrong color displayed.	<ul style="list-style-type: none"> <li>• Reseat LCD connector</li> <li>• Check LCD inverter ID</li> <li>• LCD FPC ASM</li> <li>• LCD inverter</li> <li>• LCD</li> <li>• System board</li> </ul>
LCD has extra horizontal or vertical lines displayed.	<ul style="list-style-type: none"> <li>• Check LCD inverter ID</li> <li>• LCD FPC ASM</li> <li>• LCD inverter</li> <li>• LCD</li> <li>• System board</li> </ul>

## Keyboard/TrackPoint-Related Symptoms

Symptom/Error	FRU/Action in Sequence
Keyboard (one or more keys) doesn't work.	<ul style="list-style-type: none"> <li>• Go to "FRU tests" on page 36.</li> <li>• Reseat keyboard cable.</li> <li>• Keyboard</li> <li>• System board</li> </ul>
TrackPoint does not work.	<ul style="list-style-type: none"> <li>• Go to "FRU tests" on page 36.</li> <li>• Reseat keyboard cable.</li> <li>• TrackPoint board</li> <li>• Keyboard</li> <li>• System board</li> </ul>

## Indicator-Related Symptoms

Symptom/Error	FRU/Action in Sequence
Indicator incorrectly remains off or on, but system runs correctly.	<ul style="list-style-type: none"> <li>• Reseat LED board.</li> <li>• LED board</li> <li>• System board</li> </ul>

## Power-Related Symptoms

Symptom/Error	FRU/Action in Sequence
Power shuts down during operation.	<ul style="list-style-type: none"> <li>• Go to "Power systems checkout" on page 30.</li> <li>• AC Adapter</li> <li>• Battery pack</li> <li>• DC/DC &amp; Charge board</li> <li>• System board</li> </ul>

Symptom/Error	FRU/Action in Sequence
The system doesn't power on.	<ul style="list-style-type: none"> <li>Go to "Power systems checkout" on page 30.</li> <li>AC Adapter</li> <li>Battery</li> <li>DC/DC &amp; Charge board</li> <li>System board</li> </ul>
The system doesn't power off.	<ul style="list-style-type: none"> <li>Go to "Power systems checkout" on page 30.</li> <li>Hold and press the power switch for more than 4 seconds.</li> <li>DC/DC &amp; Charge board</li> <li>System board</li> </ul>
Battery can't be charged.	<ul style="list-style-type: none"> <li>Go to "Power systems checkout" on page 30.</li> <li>Battery pack</li> <li>DC/DC &amp; Charge board</li> <li>System board</li> </ul>

## Memory-Related Symptoms

Symptom/Error	FRU/Action in Sequence
Memory count (size) appears different from the actual size.	<ul style="list-style-type: none"> <li>Go to "FRU tests" on page 36.</li> <li>Enter BIOS Utility and execute "Load Setup Default Settings"; then reboot the system.</li> <li>DIMM</li> <li>System board</li> </ul>

## Audio-Related Symptoms

Symptom/Error	FRU/Action in Sequence
Internal speakers make noise or emit no sound.	<ul style="list-style-type: none"> <li>Speaker volume control</li> <li>Go to "FRU tests" on page 36.</li> <li>Speaker(s)</li> </ul>
External speakers make noise or emit no sound.	<ul style="list-style-type: none"> <li>Speaker volume control</li> <li>Go to "FRU tests" on page 36.</li> <li>Speaker(s)</li> </ul>
In DOS or Windows, multimedia programs, no sound comes from the computer. (Only system beeps are heard at poweron.)	<ul style="list-style-type: none"> <li>Speaker volume control</li> <li>Go to "FRU tests" on page 36.</li> <li>Speaker(s)</li> </ul>

## PC Card (PCMCIA)-Related Symptoms

Symptom/Error	FRU/Action in Sequence
System cannot detect the PC Card (PCMCIA)	<ul style="list-style-type: none"> <li>PC Card (PCMCIA) slots assembly</li> <li>System board</li> </ul>
PCMCIA slot pin is damaged.	PC Card (PCMCIA) slots assembly

## Power Management-Related Symptoms

Symptom/Error	FRU/Action in Sequence
The system doesn't enter hibernation mode.	<ul style="list-style-type: none"> <li>Go to "Hibernation mode" on page 27.</li> <li>Keyboard</li> <li>Hard disk drive</li> <li>System board</li> </ul>
The system doesn't resume from hibernation mode.	<ul style="list-style-type: none"> <li>Go to "Hibernation mode" on page 27.</li> <li>Hard disk drive</li> <li>System board</li> </ul>
The system doesn't enter into or resume from sleep mode after closing the LCD.	<ul style="list-style-type: none"> <li>Lid switch</li> <li>System board</li> </ul>
Battery fuel-gauge doesn't go higher than 90%.	<ul style="list-style-type: none"> <li>Remove battery pack and let it cool for 2 hours.</li> <li>Refresh battery (continue using battery until power off, then charge the battery).</li> <li>Battery pack</li> <li>DC/DC &amp; Charge board</li> <li>System board</li> </ul>
System configuration does not match the installed devices.	Enter BIOS Utility and execute "Load Setup Default Settings"; then reboot the system.
System hangs intermittently.	<ul style="list-style-type: none"> <li>Reseat hard disk drive.</li> <li>Fan ASM (go to "FRU tests" on page 36).</li> <li>System board</li> </ul>
In DOS or Windows, multimedia programs, no sound comes from the computer.	<ul style="list-style-type: none"> <li>Speaker volume control</li> <li>Speaker (go to "FRU tests" on page 36).</li> <li>System board</li> </ul>

## Peripheral-Device-Related Symptom

Symptom/Error	FRU/Action in Sequence
External display does not work correctly.	System board

Symptom/Error	FRU/Action in Sequence
Printer problems.	<ul style="list-style-type: none"> <li>• Run printer self-test.</li> <li>• Printer driver</li> <li>• Printer cable</li> <li>• Ensure that "Parallel Port" in the "Onboard Devices Configuration" menu of the BIOS Utility is correctly set.</li> <li>• System board</li> </ul>
Serial or parallel port device problems.	<ul style="list-style-type: none"> <li>• Device driver</li> <li>• Device cable</li> <li>• Device</li> <li>• Ensure that "Serial Port" and "Parallel Port" in the "Onboard Devices Configuration" menu of the BIOS Utility is correctly set.</li> <li>• System board</li> </ul>

## Modem-Related Symptoms

Symptom/Error	FRU/Action in Sequence
Internal modem does not work correctly	<ul style="list-style-type: none"> <li>• Go to "FRU tests" on page 36.</li> <li>• Modem connector</li> <li>• Modem board</li> <li>• System board</li> </ul>

## Intermittent Problems

Intermittent system hang problems can be caused by a variety of reasons that have nothing to do with a hardware defect, such as cosmic radiation, electronic discharge, or software errors. FRU replacement should only be considered when a recurring problem exists.

When analyzing the intermittent problem, do the following:

1. Run the diagnostic test for the system board at least 10 times.
2. If no error is detected, do not replace any FRUs.
3. If any error is detected, replace the FRU. Rerun the test to verify that there are no more errors.

## Undetermined Problems

The diagnostic tests did not identify which adapter or device failed, which installed devices are incorrect, whether a short circuit is suspected, or whether the system is inoperative. Follow the procedures below to isolate the failing FRU.

Verify that the power supply being used at the time of the failure is operating correctly.



1. Power off the computer.
2. Check the cables, wires, and connectors for short circuits and open circuits. Visually check them for damage. If any problems are found, replace the FRU.
3. Remove or disconnect all of the following devices:
  - Non-IBM devices
  - Printer, external mouse & keyboard, and other external devices
  - Battery pack
  - Hard disk drive
  - Diskette drive/CD-ROM drive
  - PC Card (PCMCIA)
4. Power on the computer.
5. Determine if the problem has changed.
6. If the problem does not occur again, reconnect the removed devices one at a time until you find the failing FRU.
7. If the problem remains, replace the following FRUs one at a time. Do not replace a non-defective FRU.
  - TrackPoint board
  - Charger board
  - Audio & battery function connection board
  - LCD assembly
  - System board

---

## FRU removals and replacements

This section contains information about removals and replacements.

- Do not damage any parts. Only certified and trained personnel should service the computer.
- The arrows in this section show the direction of movement to remove a FRU, or to turn a screw to release the FRU. The arrows are marked in numeric order, in square callout, to show the correct sequence of removal.
- Any FRUs that must be removed before removing the failing FRU are listed at the top of the page.
- To replace a FRU, reverse the removal procedure and follow any notes that pertain to replacement. See "Locations" on page 85 for internal cable connections and arrangement information.
- When replacing a FRU, use the correct screw size, as shown in the procedure.

### Safety Notice 1

Translations in "Safety Notices (Multi-lingual Translations)" section: Before the computer is powered-on after FRU replacement, make sure all screws, springs, or other small parts are in place and are not left loose inside the computer. Verify this by shaking the computer and listening for rattling sounds. Metallic parts or metal flakes can cause electrical shorts.

### Safety Notice 3

Translations in "Safety Notices (Multi-lingual Translations)" section: The battery pack contains small amounts of nickel. Do not disassemble it, throw it into fire or water, or short-circuit it. Dispose of the battery pack as required by local ordinances or regulations. Use only the battery in the appropriate parts listing when replacing the battery pack. Use of an incorrect battery can result in ignition or explosion of the battery.

### Safety Notice 8

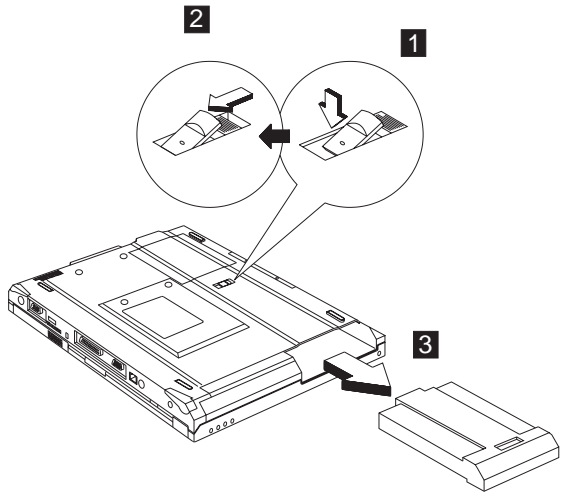
Translations in "Safety Notices (Multi-lingual Translations)" section: Before removing any FRU, power-off the computer, unplug all power cords from electrical outlets, remove the battery pack, then disconnect any interconnecting cables.

**Attention:** The system board is sensitive and can be damaged by electronic discharge. Establish personal

grounding by touching a ground point with one hand before touching these units.

An electrostatic discharge (ESD) strap (P/N: 6405959) must be used to establish personal grounding.

### Battery assembly

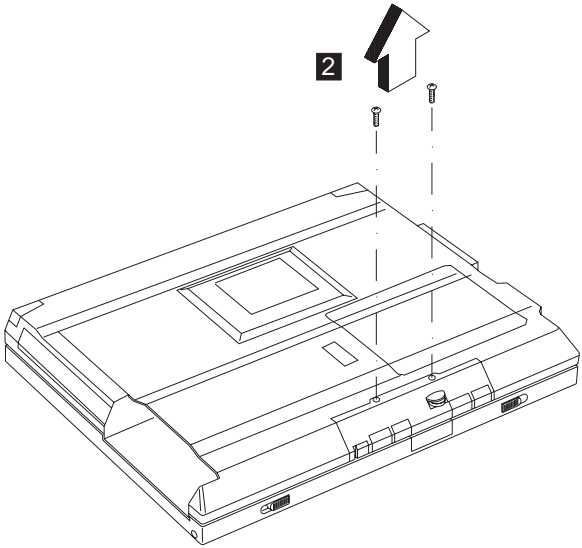
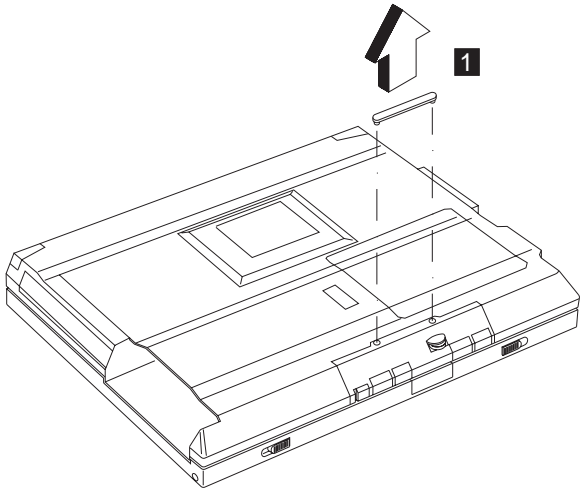


Reverse the steps described above when installing a new battery pack.

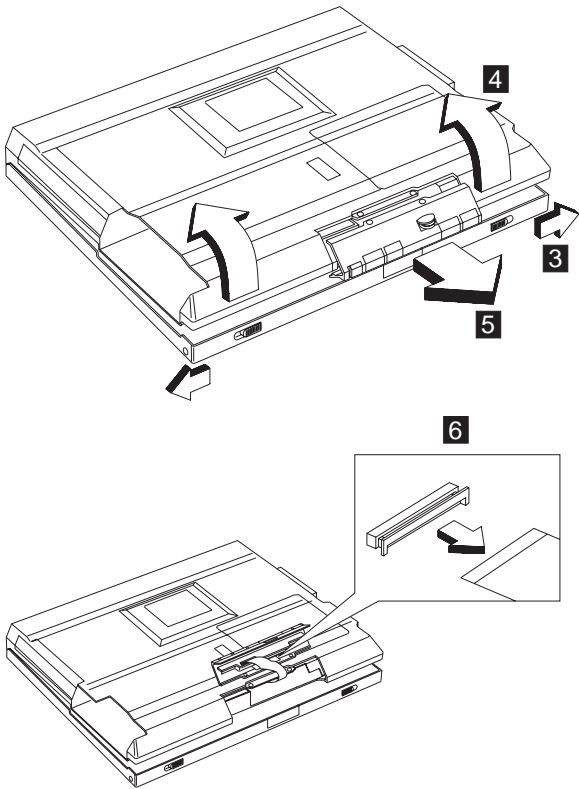
#### Warning

Battery packs are capable of delivering high currents for a significant amount of time. Do not short the battery terminals.

### CD player panel and CD player control board



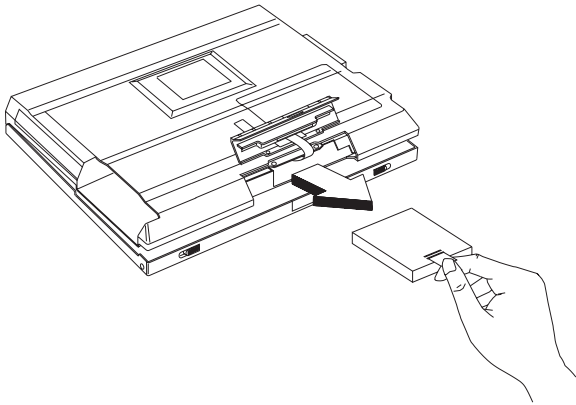
Step	Size (Quantity)	Color	Torque
1	M2.5 x 6L (2)	Black	3.2 kgf-cm



**Note:** The FPC is connected to the system board by the other end. When removing the CD player panel and CD player control board, release the FPC with caution.

### Hard disk drive assembly

- "Battery assembly" on page 46
- "CD player panel and CD player control board" on page 46



**Warning**

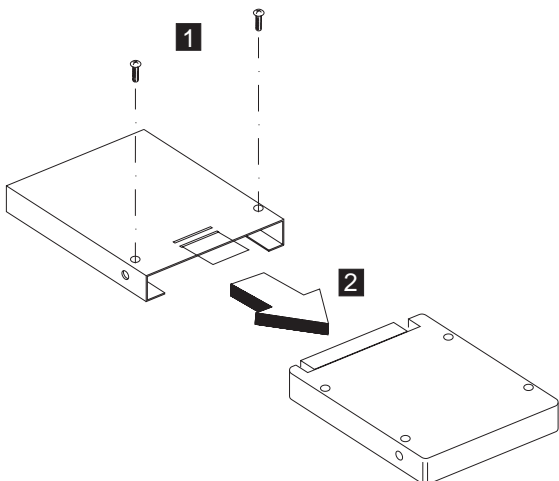
Do not drop or apply any shock to the hard disk drive. The hard disk drive is sensitive to physical shock. Incorrect handling can cause damage and permanent loss of data on the drive.

Before removing the drive, have the user make a backup copy of all the information on the drive if possible.

Never remove the drive while the system is operating or is in suspend mode.

**Hard disk drive kitting pack**

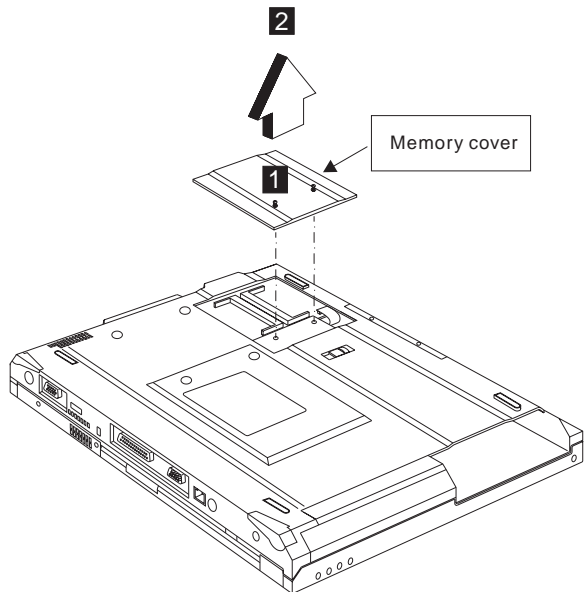
- “Battery assembly” on page 46
- “CD player panel and CD player control board” on page 46
- “Hard disk drive assembly” on page 48



Step	Size (Quantity)	Color	Torque
1	M3 x 4L (2)	Black	3.2 kgf-cm

## Memory cover and memory card

- “Battery assembly” on page 46



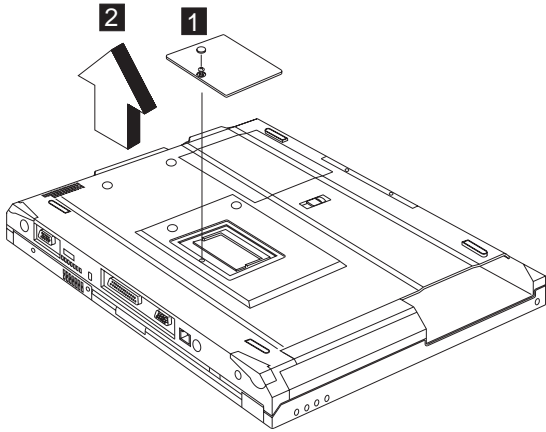
**Note:** The screw does not separate from the memory cover.

To install the memory card:

With the notched end of the memory card toward the right side of the socket, insert the memory card, at an angle of approximately 20°, into the socket; then press it firmly. Pivot the memory card until it snaps into place.

## Modem cover and modem card

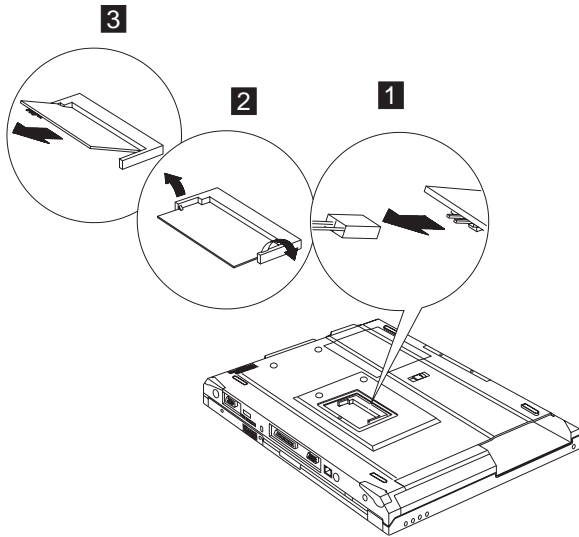
- “Battery assembly” on page 46



**Note:** The screw does not separate from the modem cover.

To remove the modem card:

1. Disconnect the modem cable.
2. Press the release latches on both sides of the modem board.
3. Pull out the modem card.

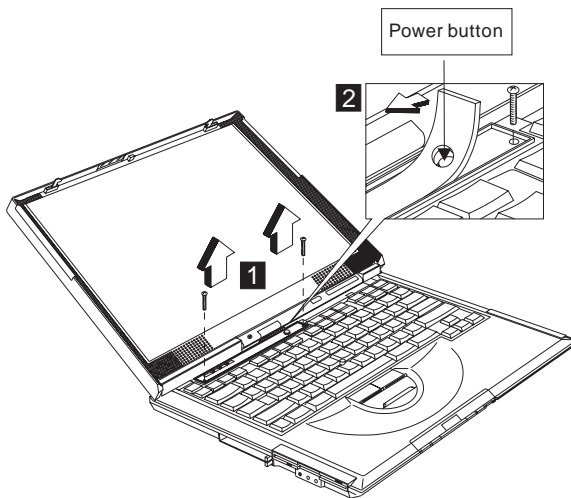
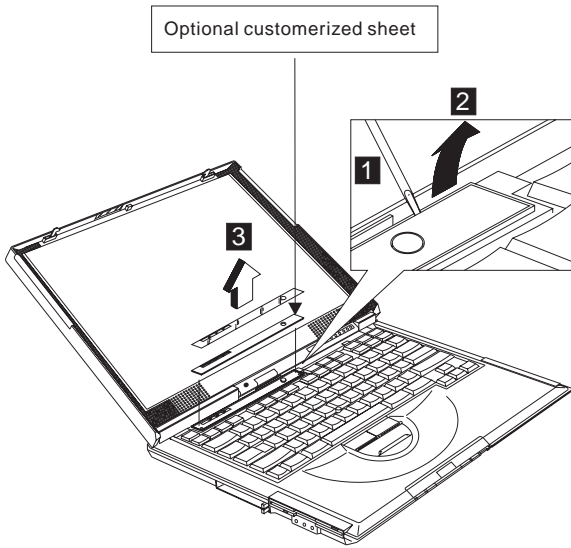


When reinserting the card, reverse the procedures above.

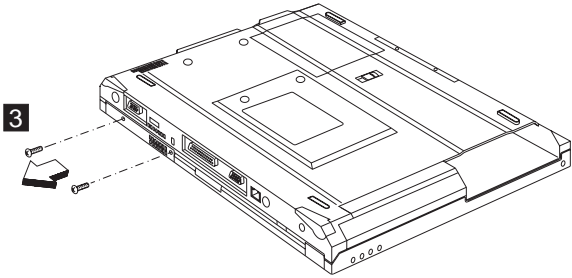
## Middle cover and launch key assembly

- “Battery assembly” on page 46

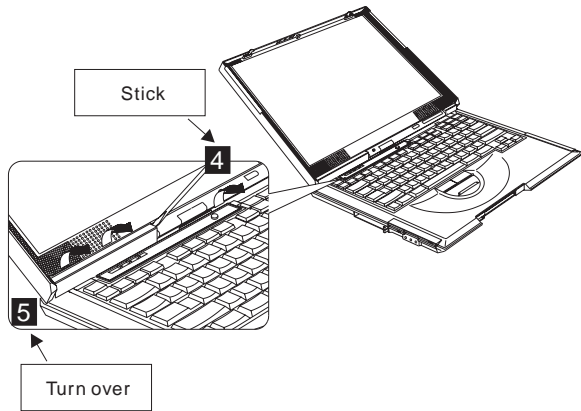
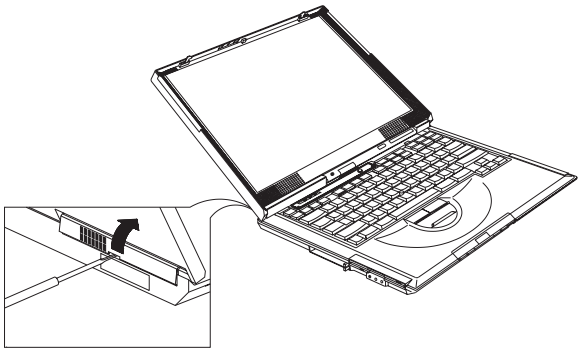




Step	Size (Quantity)	Color	Torque
1	M2 x 4L (2)	Silver	1.6 kgf-cm

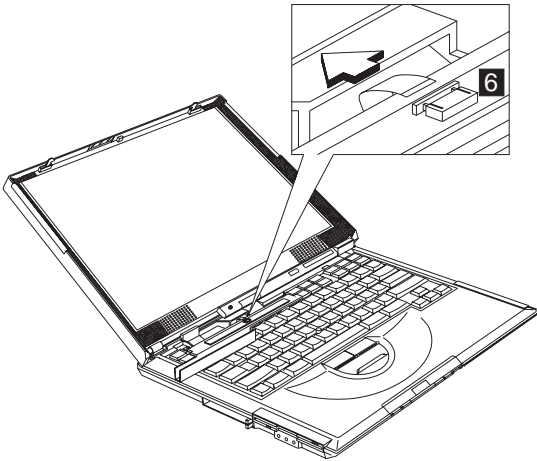


Step	Size (Quantity)	Color	Torque
3	M2.5 x 3.5L (2)	Silver	3.2 kgf-cm



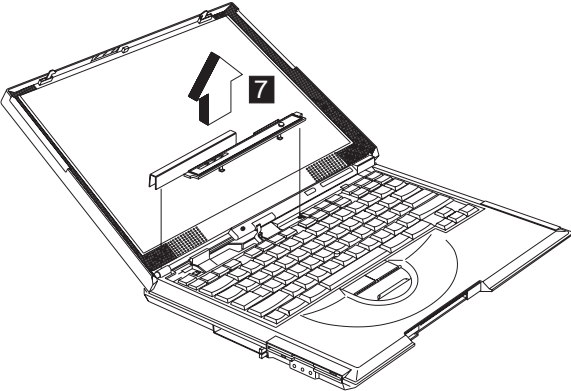
**Notes:**

1. Adjust the LCD module to the widest angle. Be careful not to scratch the surface of the middle cover.
2. Turn the middle cover and launch key assembly upside down when removing the FPC.



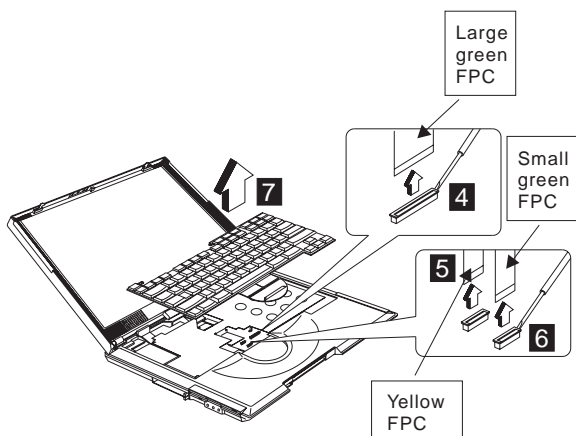
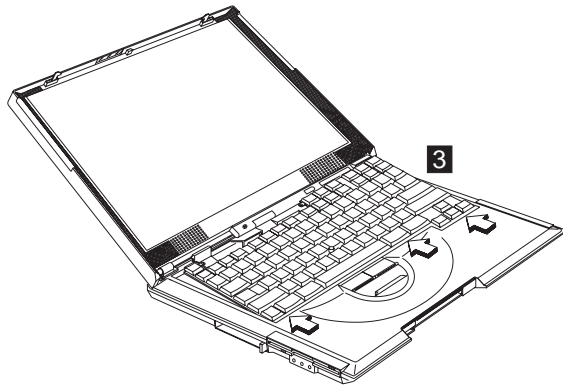
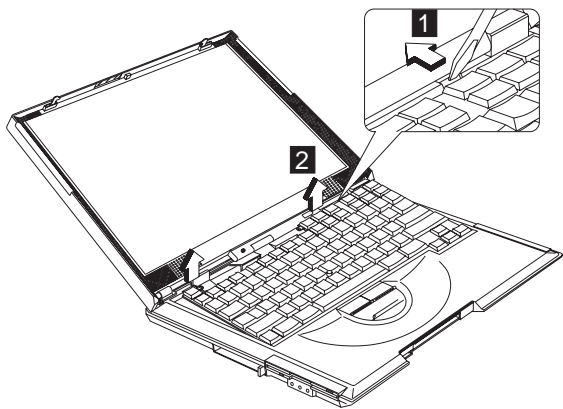
**CAUTION:**

There is a FPC connected to the middle cover. When removing the middle cover, release the FPC with caution.



## Keyboard

- "Battery assembly" on page 46
- "Middle cover and launch key assembly" on page 51



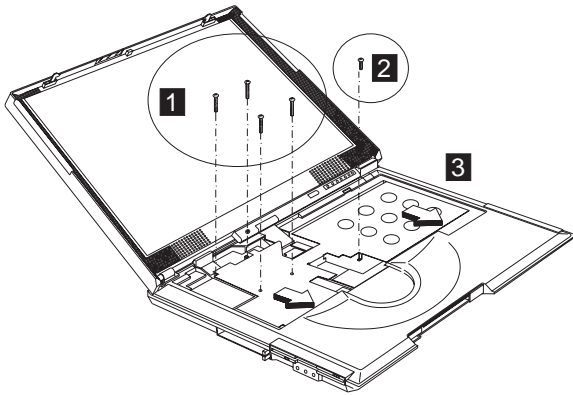
**Note:** Make sure the FPC finger side is facing outwards, when inserted.

**Notes:**

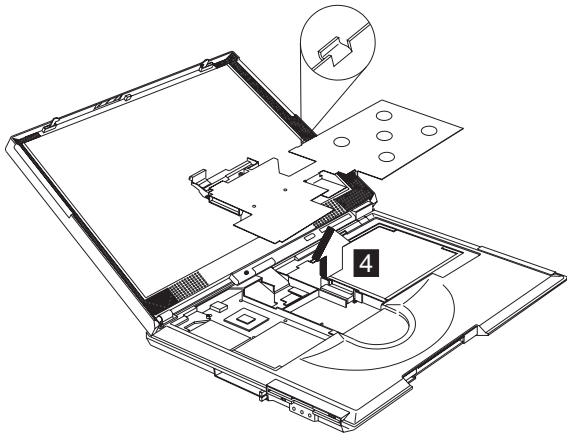
1. When replacing the keyboard, make sure that the 3 cables are clean and insert them directly into the connectors, making sure they make contact with the bottom of the connector. Now press down on the latch of the connector to secure.
2. If the cables do not touch the bottom of the connector, the keyboard function will be rendered useless.
3. The cables of the keyboard are fragile and could be damaged. Be careful when pulling out the cables.

**Upper heatsink**

- “Battery assembly” on page 46
- “Middle cover and launch key assembly” on page 51
- “Keyboard” on page 55

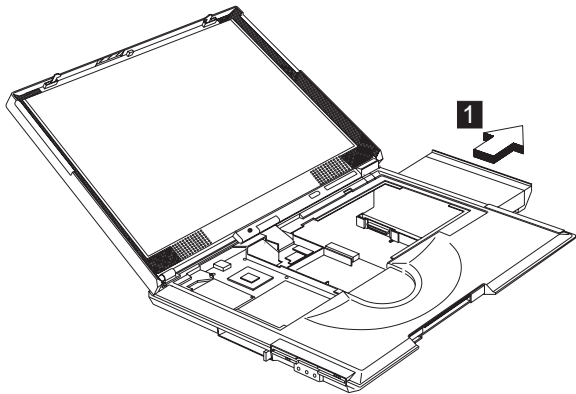


Step	Size (Quantity)	Color	Torque
1	M2 x 8L (4)	Black	1.6 kgf-cm
2	M2.5 x 10L (1)	Black	3.2 kgf-cm



### CD-ROM/DVD-ROM assembly

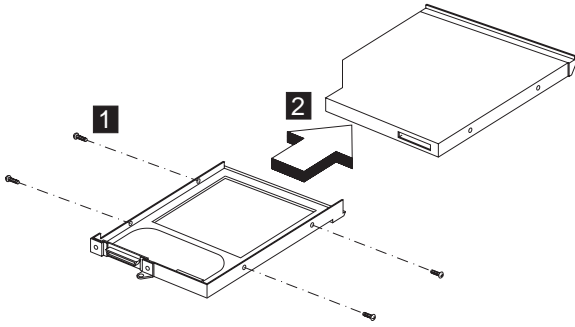
- “Battery assembly” on page 46
- “Middle cover and launch key assembly” on page 51
- “Keyboard” on page 55
- “Upper heatsink” on page 56



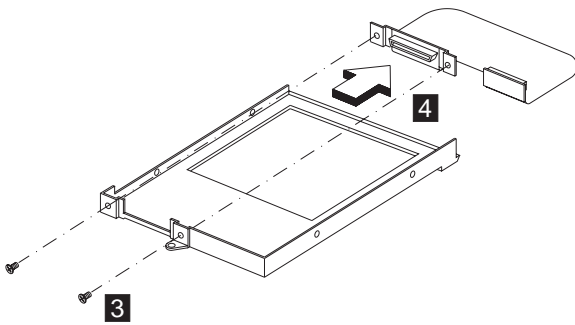
**CAUTION:**  
When the CD-ROM/DVD-ROM assembly is removed,  
the machine is unstable.

### CD-ROM/DVD-ROM chassis assembly

- “Battery assembly” on page 46
- “Middle cover and launch key assembly” on page 51
- “Keyboard” on page 55
- “Upper heatsink” on page 56
- “CD-ROM/DVD-ROM assembly”



Step	Size (Quantity)	Color	Torque
1	M2 x 3L (4)	Silver	1.6 kgf-cm



**Caution**

Do not disassemble the CD-ROM; there are no user adjustments or serviceable parts inside. The use of controls, adjustments or performing procedures other than those specified may result in hazardous radiation exposure.

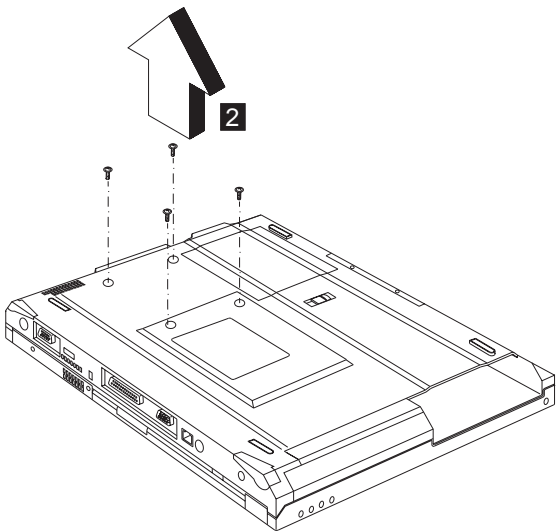
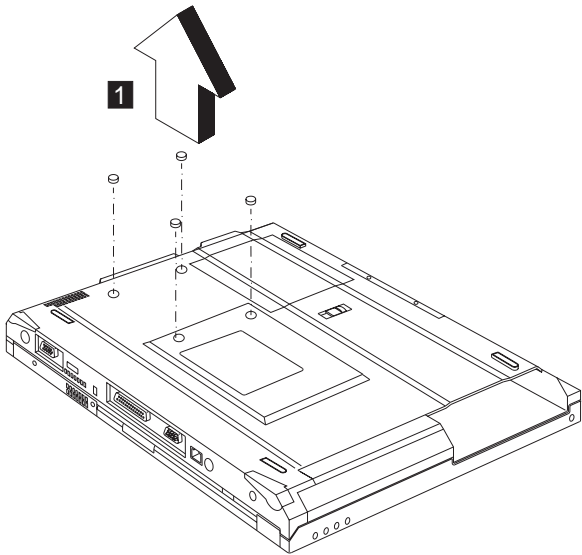
The CD-ROM is a sensitive electronic device, handling should be cautious.

Do not apply any extra force to the CD-ROM drive when removing it.

Step	Size (Quantity)	Color	Torque
1	M2 x 3L (2)	Silver	1.6 kgf-cm

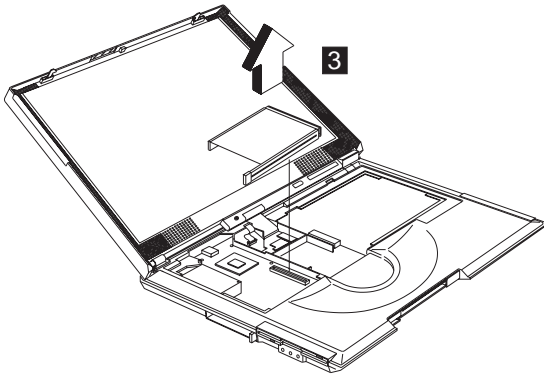
**PCMCIA holder**

- “Battery assembly” on page 46
- “Middle cover and launch key assembly” on page 51
- “Keyboard” on page 55
- “Upper heatsink” on page 56



Step	Size (Quantity)	Color	Torque
1	M2 x 4L (4)	Silver with washer head	1.6 kgf-cm



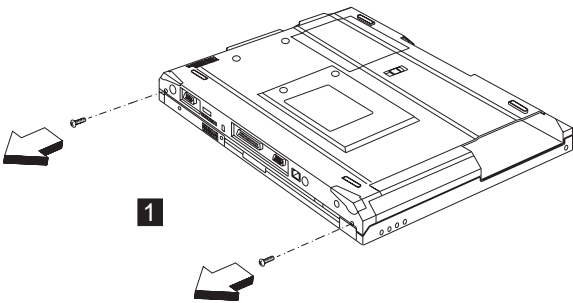


**Note:** Before removing and replacing the PCMCIA holder, make sure that the PCMCIA cards are removed and the eject levers are sticking out.

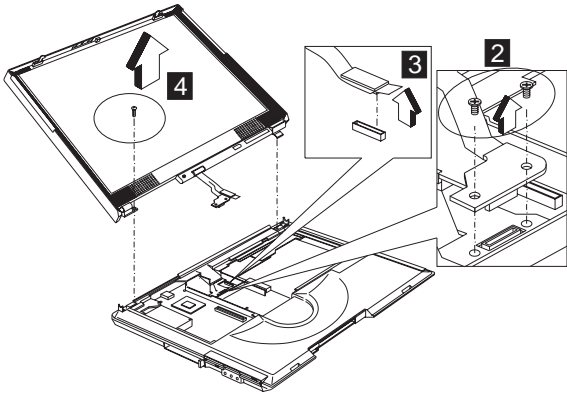
**CAUTION:**  
When removing the PCMCIA holder, pull them up at an angle. It cannot be removed when pulled straight up.

### LCD assembly

- “Battery assembly” on page 46
- “Middle cover and launch key assembly” on page 51
- “Keyboard” on page 55



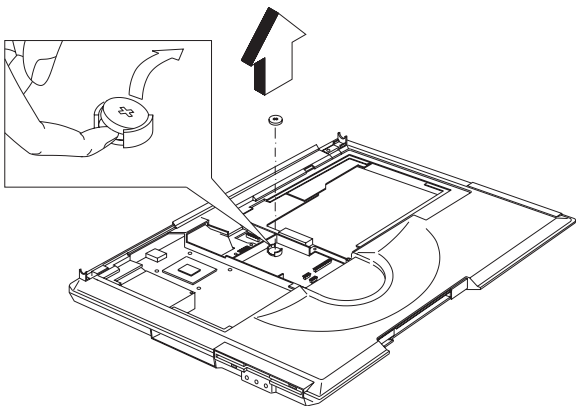
Step	Size (Quantity)	Color	Torque
1	M2.5 x 6L (2)	Black	3.2 kgf-cm



Step	Size (Quantity)	Color	Torque
2	M2 x 12L (2)	Silver	1.6 kgf-cm
4	M2.5 x 6L (1)	Black	3.2 kgf-cm

### Backup battery

- “Battery assembly” on page 46
- “Middle cover and launch key assembly” on page 51
- “Keyboard” on page 55
- “Upper heatsink” on page 56

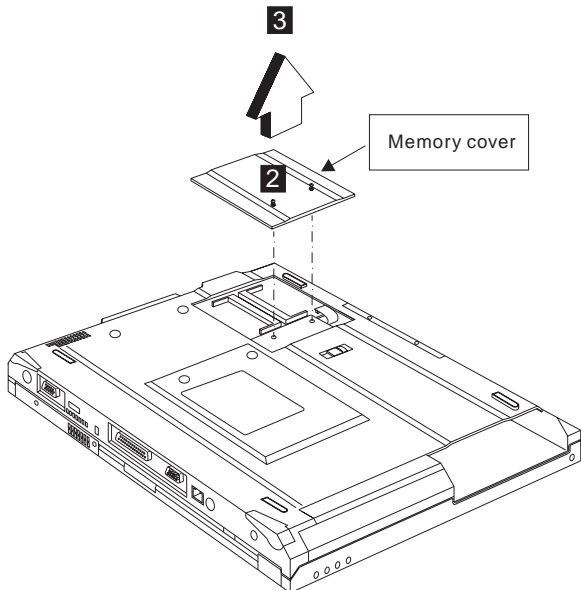


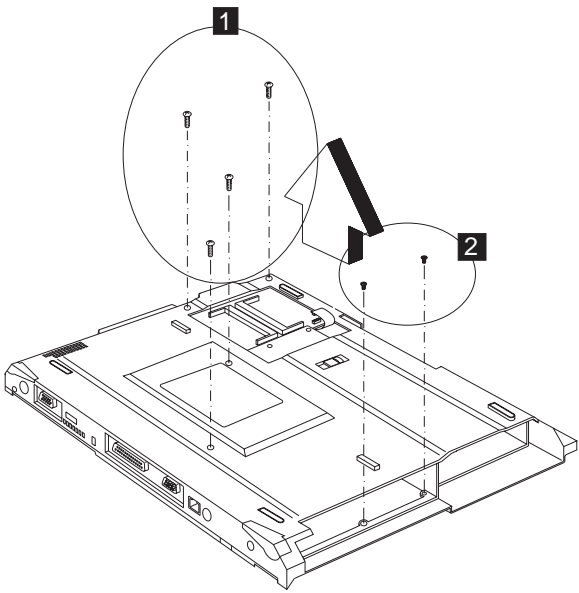
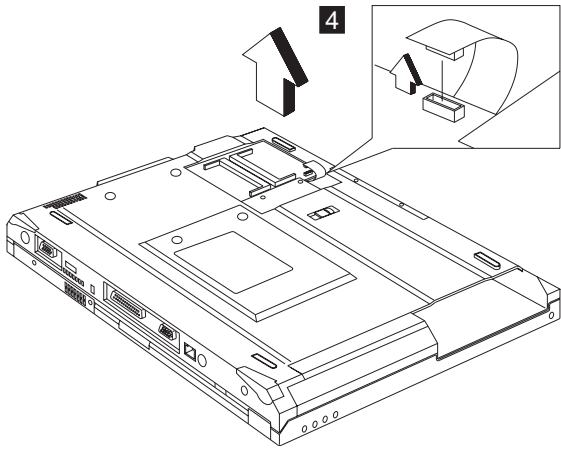
#### Safety Notice 4

Translation in "Safety Notices: Multi-lingual Translations" section: The backup battery is a lithium battery and can cause a fire, an explosion, or severe burns. Do not recharge it, remove its polarized connector, disassemble it, heat it above 100°C (212°F), incinerate it, or expose its cell contents to water. Dispose of the battery as required by local ordinances or regulations. Use of an incorrect battery can result in ignition or explosion of the battery. Replacement batteries can be ordered from IBM or IBM Authorized Dealers.

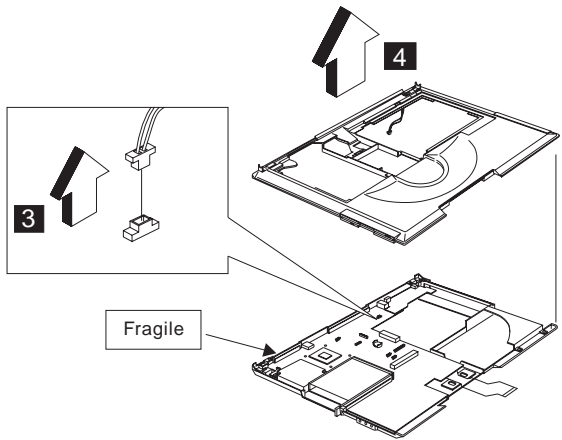
### Keyboard bezel

- "Battery assembly" on page 46
- "Middle cover and launch key assembly" on page 51
- "Keyboard" on page 55
- "Upper heatsink" on page 56
- "CD-ROM/DVD-ROM assembly" on page 57
- "LCD assembly" on page 60





Step	Size (Quantity)	Color	Torque
1	M2.5 x 6L (4)	Black	3.2 kgf-cm
2	M2.5 x 3.5L (2)	Black	3.2 kgf-cm

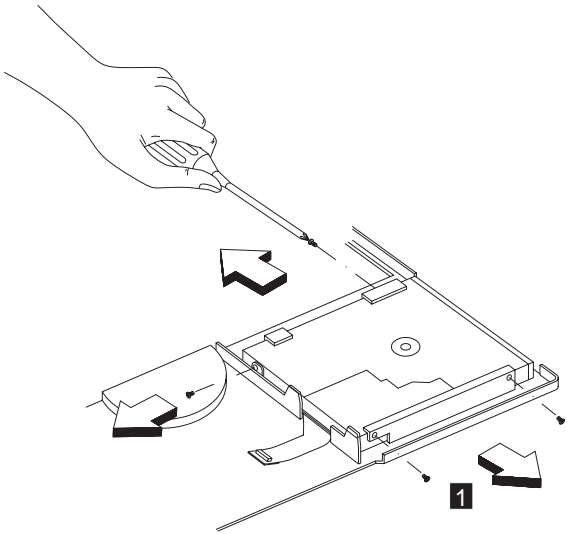


**CAUTION:**

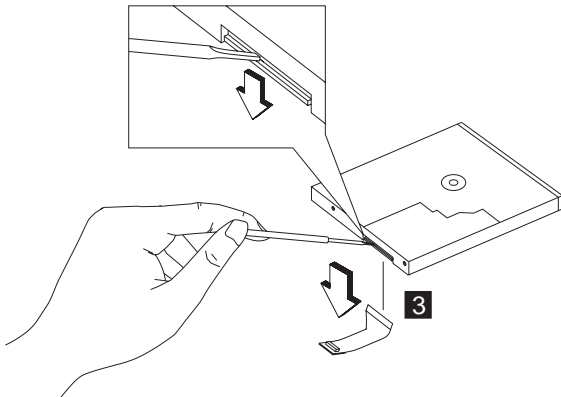
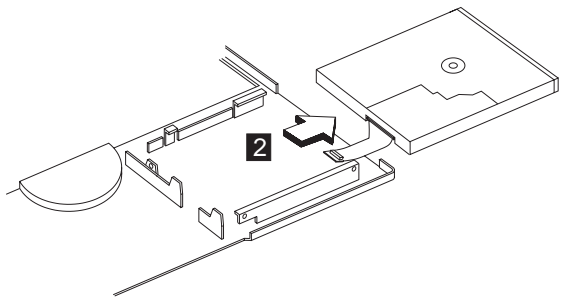
The upper cover has several latches. When removing the upper cover from the bottom cover, gently release these latches, then raise the side of the upper cover facing the palm rest to remove it. Be careful not to break the latches.

**Diskette drive assembly**

- "Battery assembly" on page 46
- "Middle cover and launch key assembly" on page 51
- "Keyboard" on page 55
- "Upper heatsink" on page 56
- "CD-ROM/DVD-ROM assembly" on page 57
- "LCD assembly" on page 60
- "Keyboard bezel" on page 62

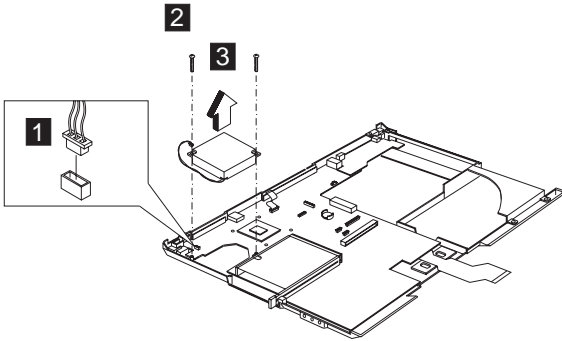


Step	Size (Quantity)	Color	Torque
1	M2.5 x 3.5L (4)	Black	3.2 kgf-cm



## Fan assembly

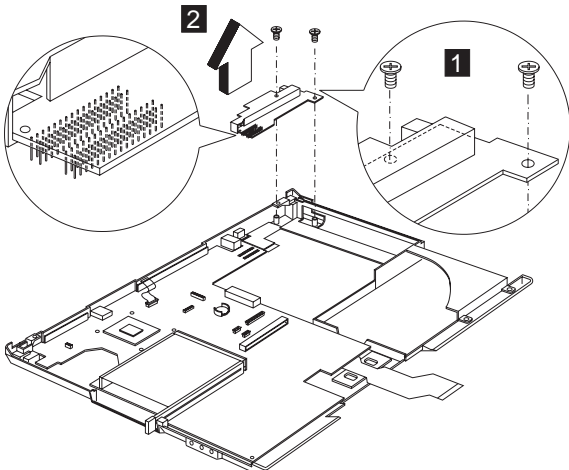
- “Battery assembly” on page 46
- “Middle cover and launch key assembly” on page 51
- “Keyboard” on page 55
- “Upper heatsink” on page 56
- “LCD assembly” on page 60
- “Keyboard bezel” on page 62



Step	Size (Quantity)	Color	Torque
2	M2.5 x 3.5L (2)	Black	3.2 kgf-cm

## DC-DC charger board

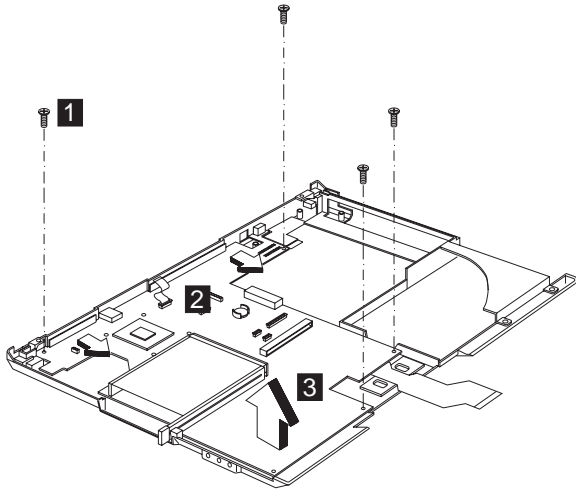
- “Battery assembly” on page 46
- “Middle cover and launch key assembly” on page 51
- “Keyboard” on page 55
- “Upper heatsink” on page 56
- “LCD assembly” on page 60
- “Keyboard bezel” on page 62



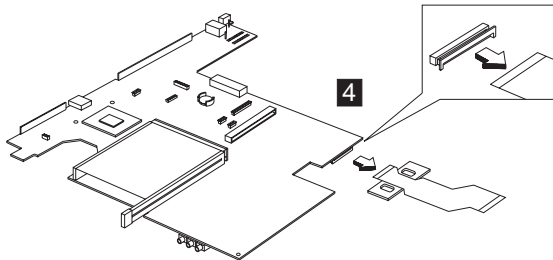
Step	Size (Quantity)	Color	Torque
1	M2.5 x 3.5L (2)	Black	3.2 kgf-cm

## System board

- “Battery assembly” on page 46
- “Middle cover and launch key assembly” on page 51
- “Keyboard” on page 55
- “Upper heatsink” on page 56
- “LCD assembly” on page 60
- “Keyboard bezel” on page 62
- “Fan assembly” on page 66
- “DC-DC charger board” on page 66



Step	Size (Quantity)	Color	Torque
1	M2.5 x 3.5L(4)	Black	3.2 kgf-cm



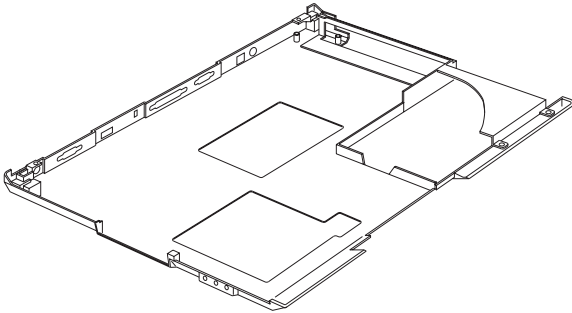


**Notes:**

1. When removing the system board from the bottom cover, gently raise the side of the system board facing the rear I/O ports; then pull out the system board.
2. When replacing the system board, align the power switch and power actuator. Make sure that the power switch operates correctly before securing the screws.

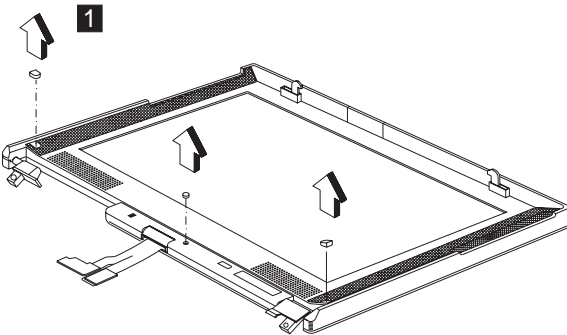
**Bottom case**

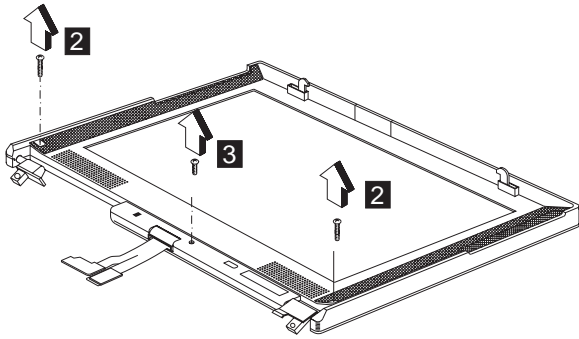
- “Battery assembly” on page 46
- “Middle cover and launch key assembly” on page 51
- “Keyboard” on page 55
- “Upper heatsink” on page 56
- “LCD assembly” on page 60
- “Keyboard bezel” on page 62
- “System board” on page 67



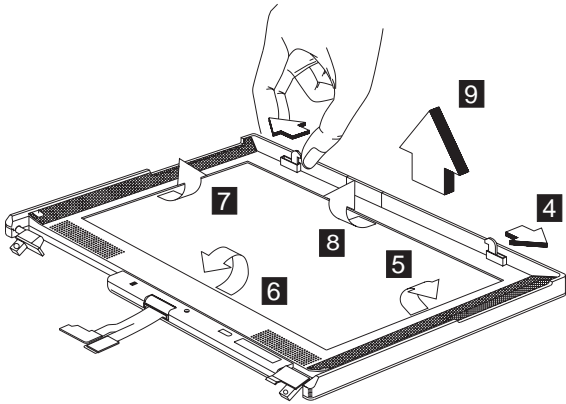
**LCD bezel assembly (12.1")**

- “Battery assembly” on page 46
- “Middle cover and launch key assembly” on page 51
- “Keyboard” on page 55
- “LCD assembly” on page 60





Step	Size (Quantity)	Color	Torque
2	M2.5 x 10L(2)	Black	1.6 kgf-cm
3	M2.5 x 6L(1)	Black	1.6 kgf-cm

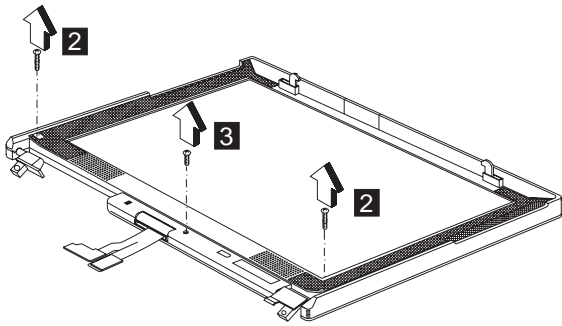
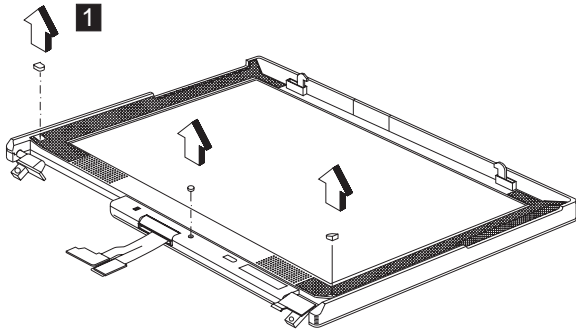


**Note:** When removing the LCD, take note of the following:

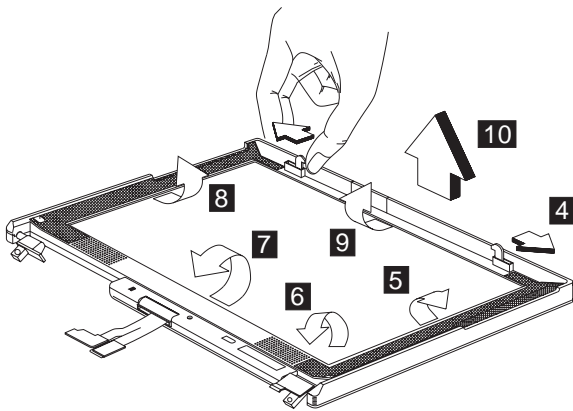
- Be careful not to scratch the LCD cover when removing the screw covers.
- The LCD front cover has several latches. Release these latches; then remove the LCD cover. Be careful not to break these latches.
- Gently push the two hooks outward to remove the LCD front cover.

### LCD bezel assembly (13.0")

- "Battery assembly" on page 46
- "Middle cover and launch key assembly" on page 51
- "Keyboard" on page 55
- "LCD assembly" on page 60



Step	Size (Quantity)	Color	Torque
2	M2.5 x 10L(2)	Black	3.2 kgf-cm
3	M2.5 x 6L(1)	Black	3.2 kgf-cm



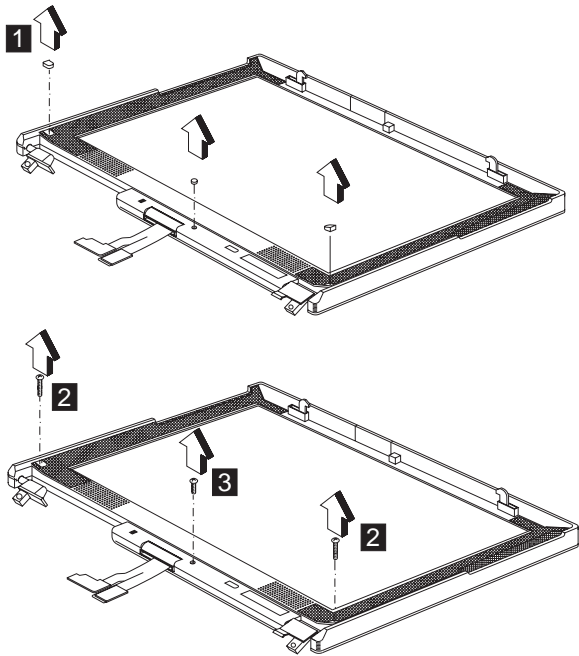
**Note:** When removing the LCD, take note of the following:

- Be careful not to scratch the LCD cover when removing the screw covers.
- The LCD front cover has several latches. Release these latches; then remove the LCD cover. Be careful not to break these latches.

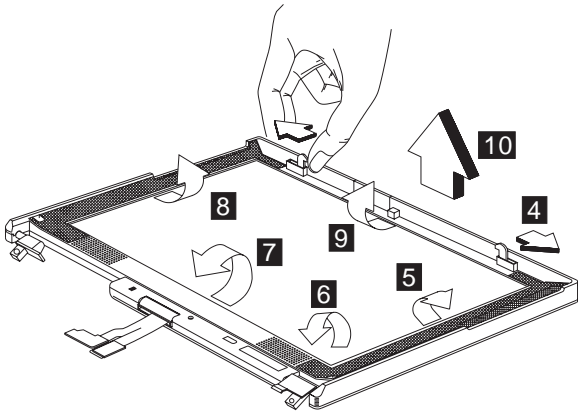
- Gently push the two hooks outward to remove the LCD front cover.

### LCD bezel assembly (14.1")

- "Battery assembly" on page 46
- "Middle cover and launch key assembly" on page 51
- "Keyboard" on page 55
- "LCD assembly" on page 60



Step	Size (Quantity)	Color	Torque
2	M2.5 x 10L(2)	Black	3.2 kgf-cm
3	M2.5 x 6L(1)	Black	3.2 kgf-cm

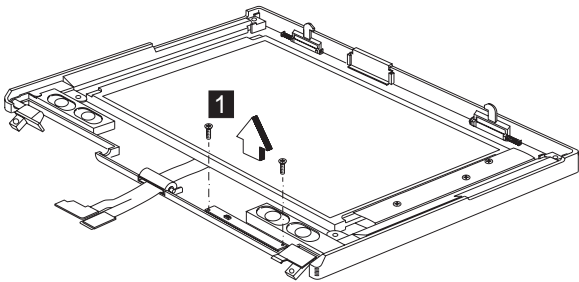


**Note:** When removing the LCD, take note of the following:

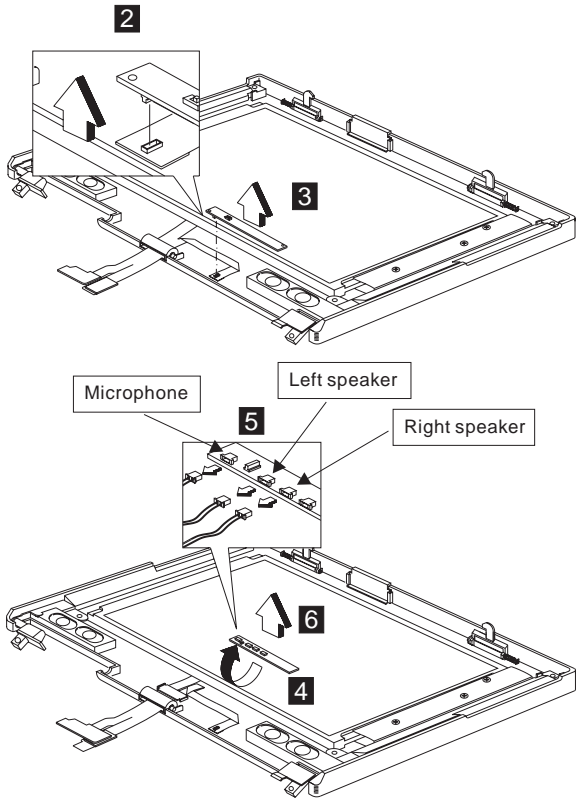
- Be careful not to scratch the LCD cover when removing the screw covers.
- The LCD front cover has several latches. Release these latches; then remove the LCD cover. Be careful not to break these latches.
- Gently push the two hooks outward to remove the LCD front cover.

### LED board (12.1")

- "Battery assembly" on page 46
- "Middle cover and launch key assembly" on page 51
- "Keyboard" on page 55
- "LCD assembly" on page 60
- "LCD bezel assembly (12.1")" on page 68

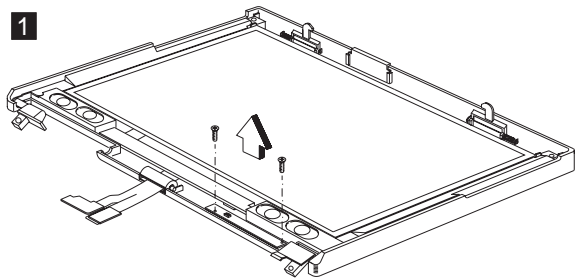


Step	Size (Quantity)	Color	Torque
1	M2 x 4L(2)	Silver	1.6 kgf-cm

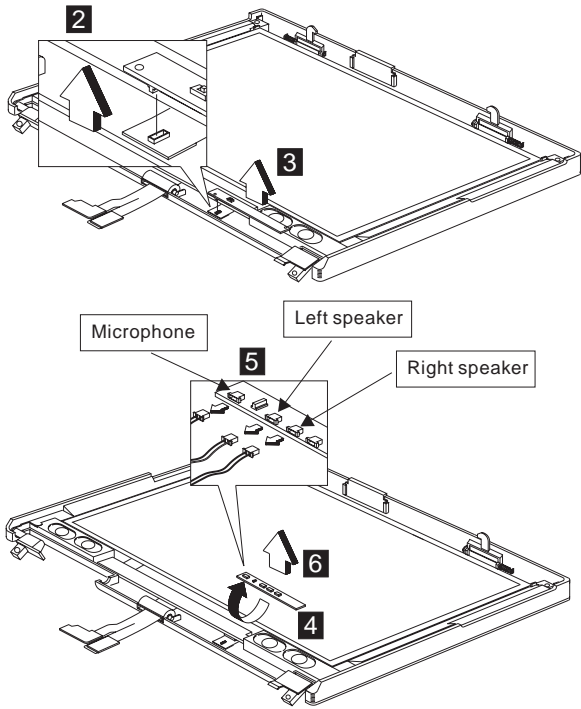


### LED board (13.0")

- "Battery assembly" on page 46
- "Middle cover and launch key assembly" on page 51
- "Keyboard" on page 55
- "LCD assembly" on page 60
- "LCD bezel assembly (13.0")" on page 69

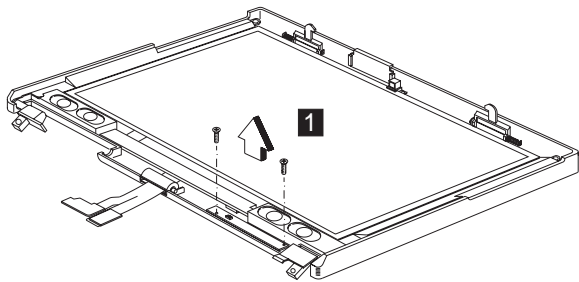


Step	Size (Quantity)	Color	Torque
1	M2 x 4L(2)	Silver	1.6 kgf-cm

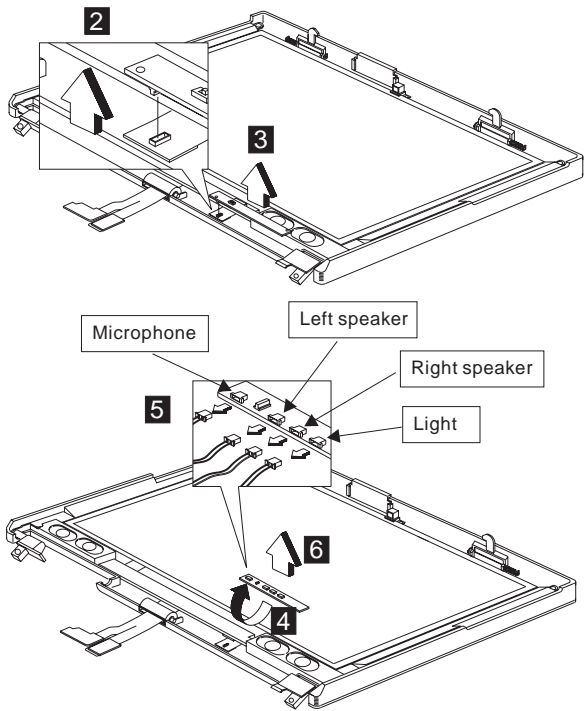


### LED board (14.1")

- "Battery assembly" on page 46
- "Middle cover and launch key assembly" on page 51
- "Keyboard" on page 55
- "LCD assembly" on page 60
- "LCD bezel assembly (14.1")" on page 71

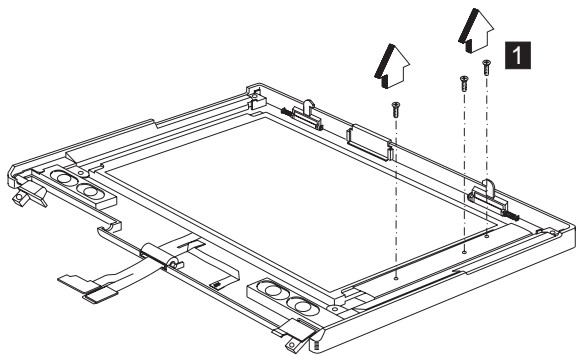


Step	Size (Quantity)	Color	Torque
1	M2 x 4L(2)	Silver	1.6 kgf-cm



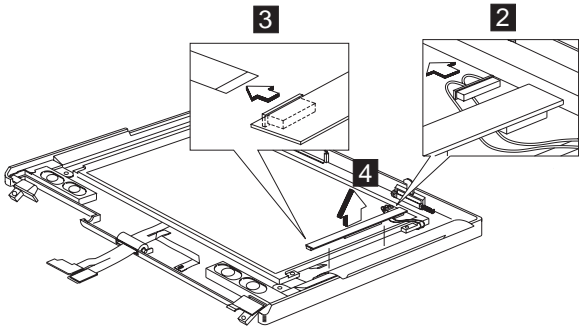
### LCD inverter (12.1")

- "Battery assembly" on page 46
- "Middle cover and launch key assembly" on page 51
- "Keyboard" on page 55
- "LCD assembly" on page 60
- "LCD bezel assembly (12.1")" on page 68



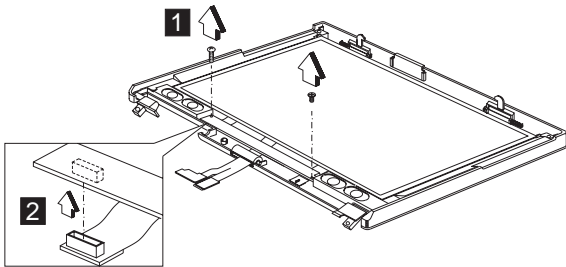
Step	Size (Quantity)	Color	Torque
1	M2 x 4L(2)	Silver	1.6 kgf-cm
	M3 x 5L(1)	Silver	3.2 kgf-cm



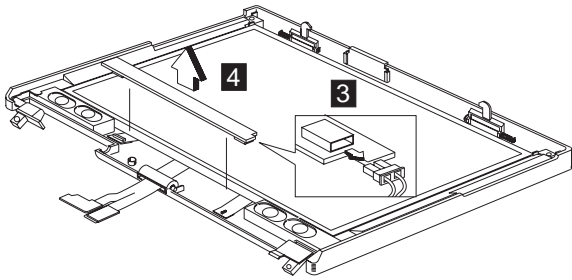


### LCD inverter (13.0")

- "Battery assembly" on page 46
- "Middle cover and launch key assembly" on page 51
- "Keyboard" on page 55
- "LCD assembly" on page 60
- "LCD bezel assembly (13.0")" on page 69



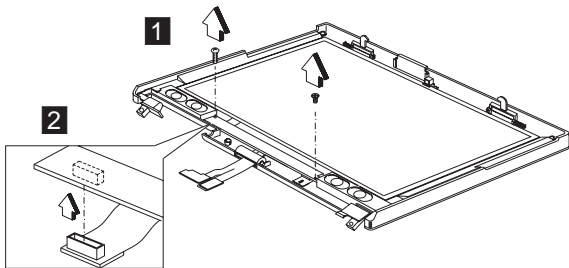
Step	Size (Quantity)	Color	Torque
1	M2 x 4L(2)	Silver	1.6 kgf-cm



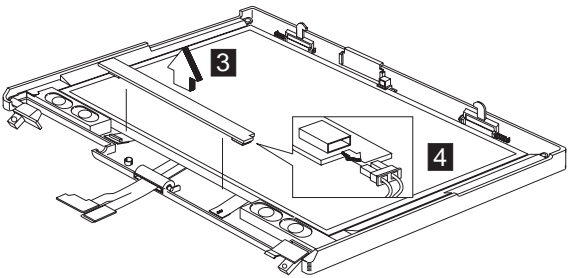
### LCD inverter (14.1")

- "Battery assembly" on page 46
- "Middle cover and launch key assembly" on page 51
- "Keyboard" on page 55
- "LCD assembly" on page 60

- “LCD bezel assembly (14.1”)” on page 71

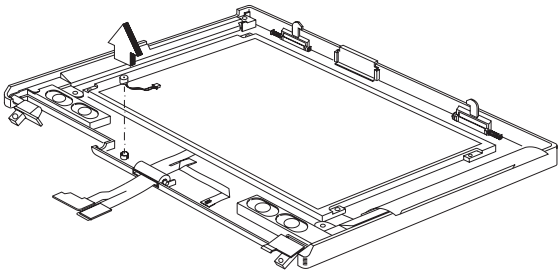


Step	Size (Quantity)	Color	Torque
1	M2 x 4L(2)	Silver	1.6 kgf-cm



### Cable assembly of microphone (12.1")

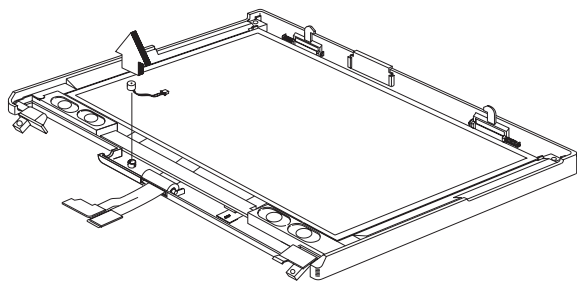
- “Battery assembly” on page 46
- “Middle cover and launch key assembly” on page 51
- “Keyboard” on page 55
- “LCD assembly” on page 60
- “LCD bezel assembly (12.1”)” on page 68
- “LED board (12.1”)” on page 72



### Cable assembly of microphone (13.0")

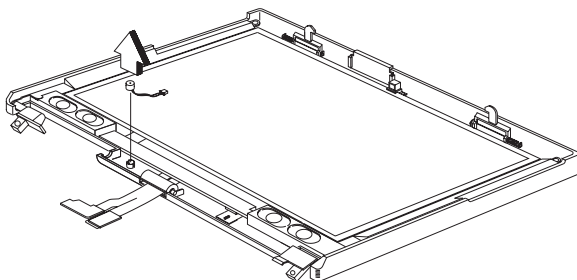
- “Battery assembly” on page 46
- “Middle cover and launch key assembly” on page 51
- “Keyboard” on page 55
- “LCD assembly” on page 60

- “LCD bezel assembly (13.0”)” on page 69
- “LED board (13.0”)” on page 73



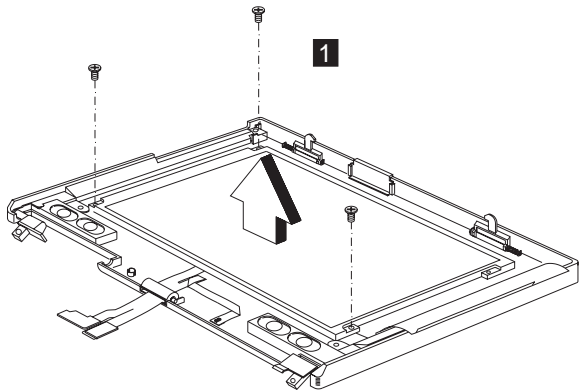
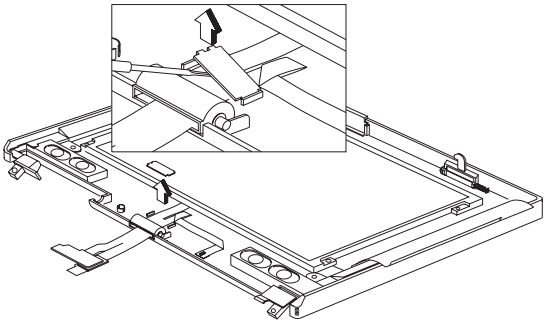
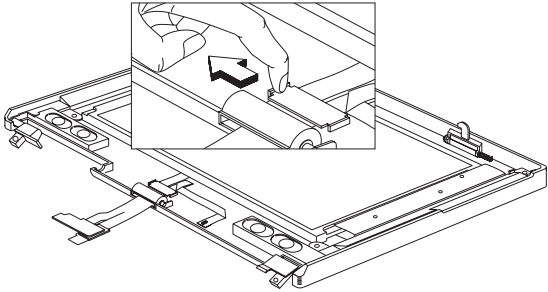
### **Cable assembly of microphone (14.1")**

- “Battery assembly” on page 46
- “Middle cover and launch key assembly” on page 51
- “Keyboard” on page 55
- “LCD assembly” on page 60
- “LCD bezel assembly (14.1”)” on page 71
- “LED board (14.1”)” on page 74

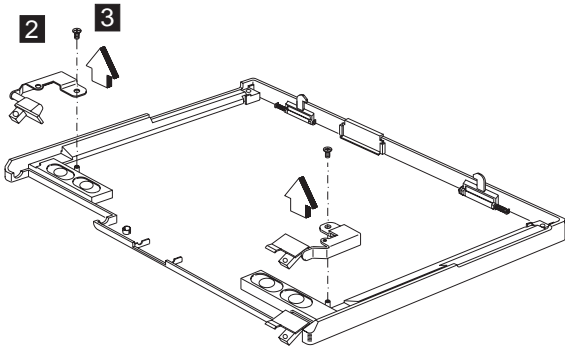


### **LCD bracket hinge assembly, speaker assembly and LCD rear cover assembly (12.1")**

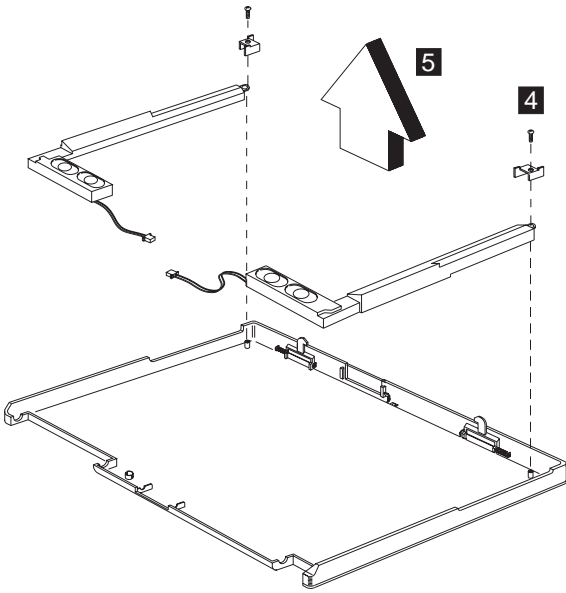
- “Battery assembly” on page 46
- “Middle cover and launch key assembly” on page 51
- “Keyboard” on page 55
- “LCD assembly” on page 60
- “LCD bezel assembly (12.1”)” on page 68
- “LED board (12.1”)” on page 72
- “LCD inverter (12.1”)” on page 75
- “Cable assembly of microphone (12.1”)” on page 77



Step	Size (Quantity)	Color	Torque
1	M3 x 5L(3)	Silver	3.2 kgf-cm



Step	Size (Quantity)	Color	Torque
2	M2.5 x 6L(3)	Black	3.2 kgf-cm

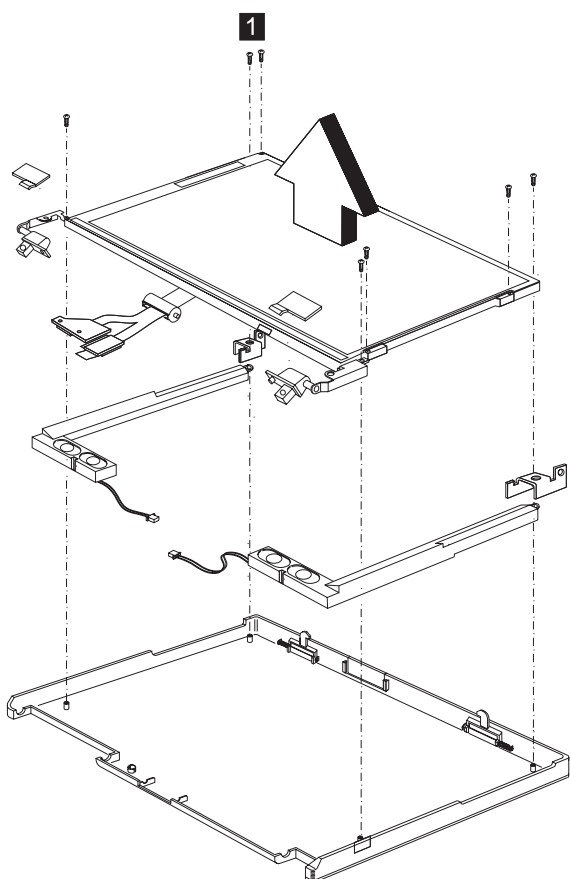


Step	Size (Quantity)	Color	Torque
4	M2.5 x 6L(2)	Black	3.2 kgf-cm

### LCD bracket hinge assembly, speaker assembly and LCD rear cover assembly (13.0")

- "Battery assembly" on page 46
- "Middle cover and launch key assembly" on page 51
- "Keyboard" on page 55
- "LCD assembly" on page 60
- "LCD bezel assembly (13.0")" on page 69

- “LED board (13.0”)” on page 73
- “LCD inverter (13.0”)” on page 76
- “Cable assembly of microphone (13.0”)” on page 77

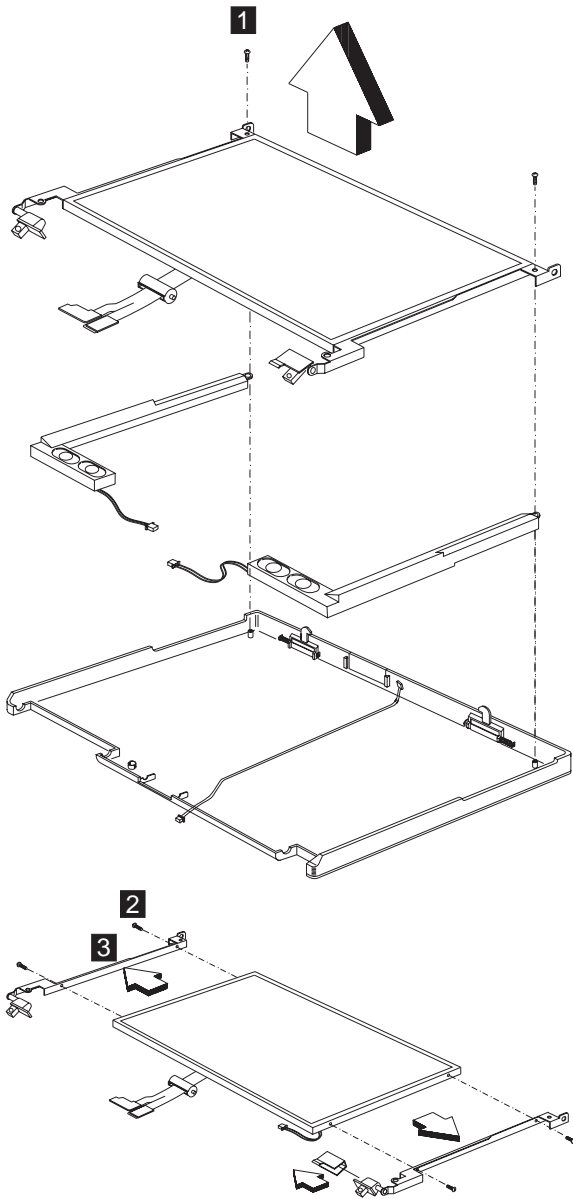


Step	Size (Quantity)	Color	Torque
1	M2.5 x 6L(7)	Black	3.2 kgf-cm

### LCD bracket hinge assembly, speaker assembly, keyboard light, and LCD rear cover assembly (14.1")

- “Battery assembly” on page 46
- “Middle cover and launch key assembly” on page 51
- “Keyboard” on page 55
- “LCD assembly” on page 60
- “LCD bezel assembly (14.1”)” on page 71
- “LED board (14.1”)” on page 74
- “LCD inverter (14.1”)” on page 76

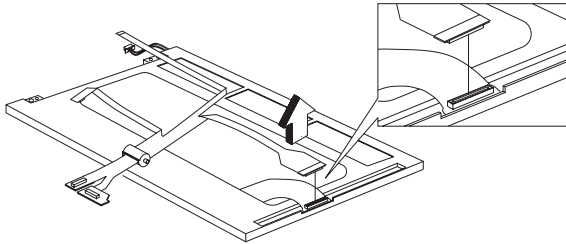
- “Cable assembly of microphone (14.1)” on page 78



Step	Size (Quantity)	Color	Torque
1	M2.5 x 6L(2)	Black	3.2 kgf-cm
2	M2.5 x 4L(1)	Black	1.6 kgf-cm
3	M2 x 3L(4)	Silver	1.6 kgf-cm

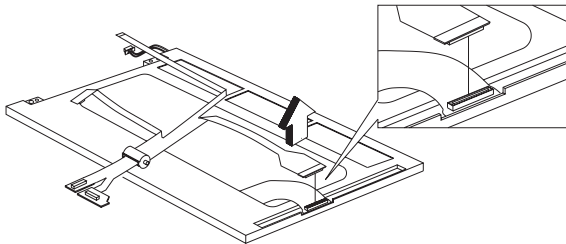
## LCD FPC assembly (12.1")

- "Battery assembly" on page 46
- "Middle cover and launch key assembly" on page 51
- "Keyboard" on page 55
- "LCD assembly" on page 60
- "LCD bezel assembly (12.1")" on page 68
- "LED board (12.1")" on page 72
- "LCD inverter (12.1")" on page 75
- "Cable assembly of microphone (12.1")" on page 77
- "LCD bracket hinge assembly, speaker assembly and LCD rear cover assembly (12.1")" on page 78



## LCD FPC assembly (13.0")

- "Battery assembly" on page 46
- "Middle cover and launch key assembly" on page 51
- "Keyboard" on page 55
- "LCD assembly" on page 60
- "LCD bezel assembly (13.0")" on page 69
- "LED board (13.0")" on page 73
- "LCD inverter (13.0")" on page 76
- "Cable assembly of microphone (13.0")" on page 77
- "LCD bracket hinge assembly, speaker assembly and LCD rear cover assembly (13.0")" on page 80

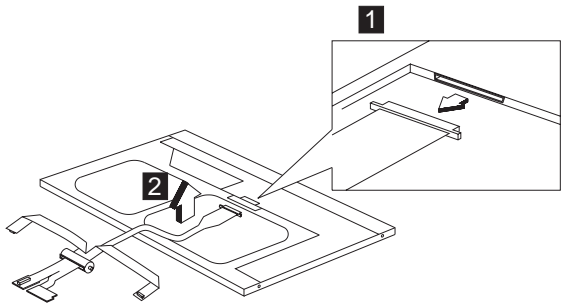


## LCD FPC assembly (14.1")

- "Battery assembly" on page 46
- "Middle cover and launch key assembly" on page 51
- "Keyboard" on page 55



- “LCD assembly” on page 60
- “LCD bezel assembly (14.1)” on page 71
- “LED board (14.1)” on page 74
- “LCD inverter (14.1)” on page 76
- “Cable assembly of microphone (14.1)” on page 78
- “LCD bracket hinge assembly, speaker assembly, keyboard light, and LCD rear cover assembly (14.1)” on page 81

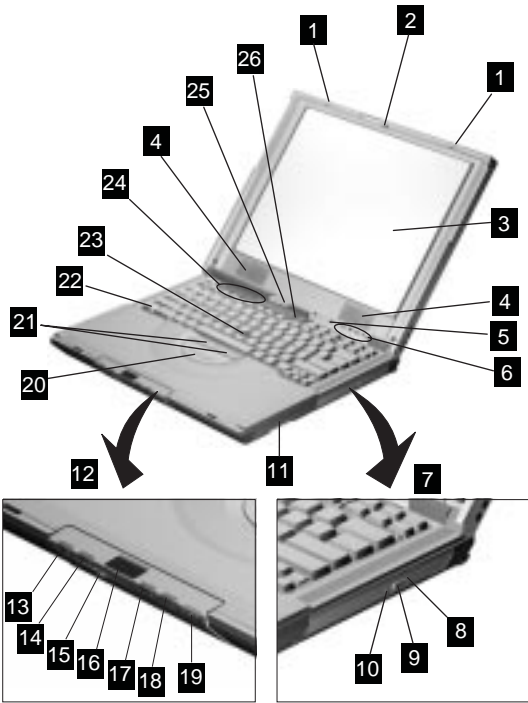


---

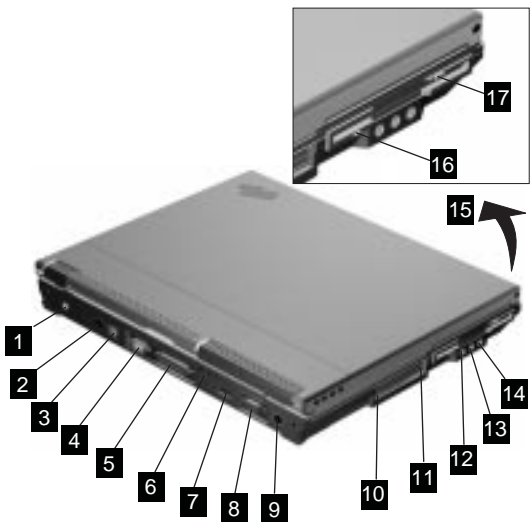
## Locations

### Front View

1. LCD latches
2. Keyboard Light (available on select models only)
3. LCD
4. Speakers
5. Keyboard Light switch (available on select models only)
6. Status indicators
7. CD-ROM or DVD-ROM drive
8. CD-ROM/DVD-ROM drive activity indicator
9. CD-ROM/DVD-ROM drive eject button
10. CD-ROM/DVD-ROM drive emergency eject hole
11. Battery pack
12. Media Center
13. Media Center previous track/chapter button
14. Media Center next track/chapter button
15. Volume control
16. Media Center status LCD
17. Media Center play/pause button
18. Media Center stop/eject button
19. Media Center power button
20. Internet Scroll Bar
21. Click buttons
22. Fn key
23. TrackPoint stick
24. Easy Launch buttons
25. Built-in microphone
26. Power button



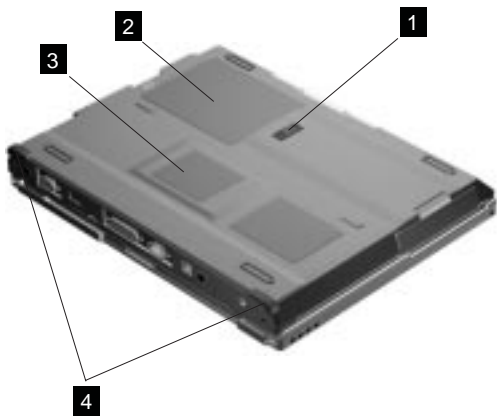
**Rear View**



- 1. Power jack
- 2. Mouse/keyboard (PS/2) connector
- 3. Telephone connector
- 4. Serial connector

5. Parallel connector
6. Security keyhole
7. Universal serial bus (USB) connector
8. External monitor connector
9. TV-out (S-video) jack
10. PC Card slots
11. PC Card eject buttons
12. Line-out/headphone jack
13. Line-in jack
14. Microphone-in jack
15. Audio volume control
16. Diskette drive
17. Diskette-drive-activity indicator
18. Diskette eject button

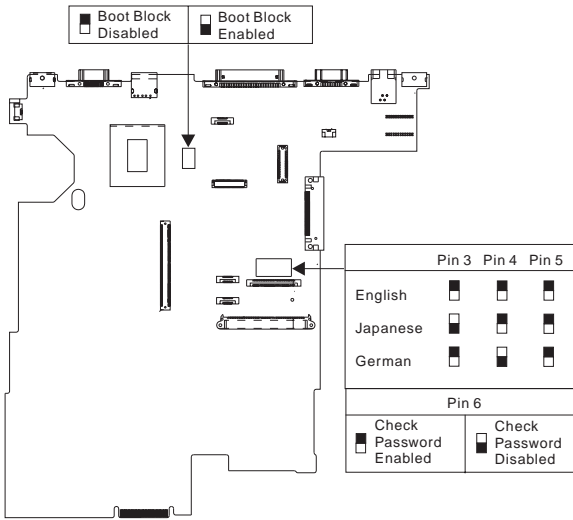
### Bottom View



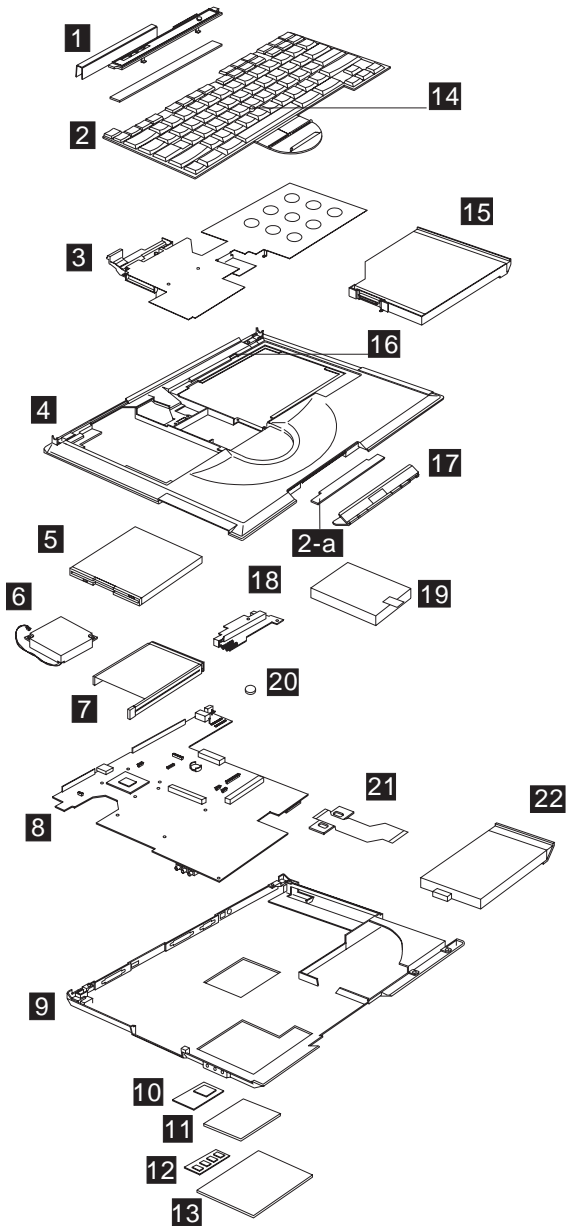
1. Battery-pack latch
2. Memory slot door
3. Modem card compartment
4. Tilt feet

## Switch Locations

There are two switches found on the system board. Refer to the figure below on how to set these switches.



**Parts list (ThinkPad i Series 1400/1500)**



No.	Description	FRU No.
1	Middle Cover & Launch Key ASM 14.1"	08K5865

No.	Description	FRU No.
	Middle Cover & Launch Key ASM 14.1" (for Japan)	08K6054
	Middle Cover & Launch Key ASM 12.1"/13.0"	08K5869
	Middle Cover & Launch Key ASM 12.1"/13.0" (for Japan)	08K6055
2	Launch Key Board	08K3404
2-a	CD Control Card	08K3405
3	Upper Heatsink	08K5868
4	Keyboard Bezel (IBM Logo, Lid SW, Bracket Screw, PCMCIA Shutter)	08K5918
	Keyboard Bezel (IBM Logo, Lid SW, Bracket Screw, PCMCIA Shutter) (for Japan)	08K6053
5	FDD w/ Bezel	05K9179
6	Fan ASM	08K5872
7	PCMCIA Holder	08K5873
8	Planar (Celeron 400) W/O TV	08K3425
	Planar (Celeron 433) W/O TV	08K3101
	Planar (Celeron 433) W/ TV	08K3102
	Planar (Celeron 466) W/O TV	08K3103
	Planar (Celeron 466) W/ TV	08K3400
9	Bottom Case (w/ TV-out) (PCMCIA Shutter, Rubber Foot, Stand Foot, Battery Latch)	08K5866
	Bottom Case (w/o TV-out) (PCMCIA Shutter, Rubber Foot, Stand Foot, Battery Latch)	08K5867
10	PCI Modem (Ambit)	10L1296
	PCI Modem (CIS)	10L1329
11	Modem Cover	08K5863
12	DIMM 32 MB	08K3408
	DIMM 64 MB	08K3409
13	DIMM Cover	08K5864
14	Pointing Stick Caps	84G6536
15	24X CD-ROM Module (LG)	05K9177
	24X CD-ROM Module (TEAC)	05K9178
	4X DVD Module	05K9180
	CD-ROM Chassis	08K5862
16	Lid S/W ASM	08K5871
17	CD Control Panel	08K5876
18	DC/DC Charger	08K3403
19	HDD Module Assy. 4.8 GB (IBM)	05K9172

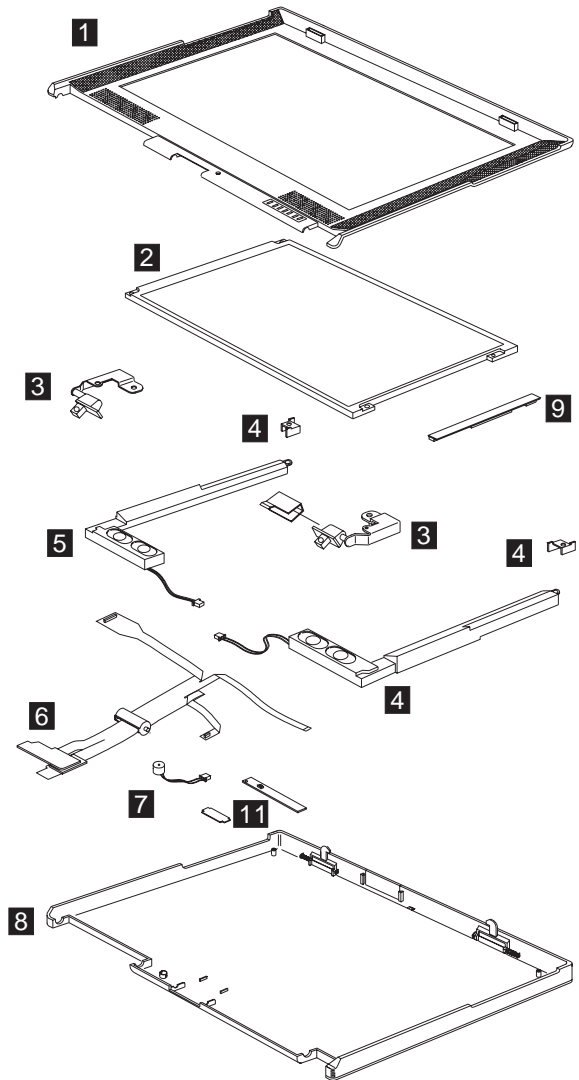
No.	Description	FRU No.
	HDD Module Assy. 4.8 GB (Hitachi)	05K9173
	HDD Module Assy. 6.4 GB (IBM)	05K9174
	HDD Module Assy. 6.4 GB (Hitachi)	05K9175
	HDD Module Assy. 8.1 GB (IBM)	05K9176
	Kitting, HDD (HDD adapter bracket SCR)	08K5861
20	RTC Battery	11J8591
21	FPC Cable Group	27L0498
22	Battery Assy (Li-Ion) 9 Cells (Panasonic)	02K6601
	Battery Assy (Ni-MH) 8 Cells (Panasonic)	02K6630
	Battery Assy (Ni-MH) 8 Cells (Sanyo)	02K6634
—	LEG (R/L)	08K5870
	CD Control Card	08K3405
	Miscellaneous Kit	08K5878
	Right Hinge Cap 12.1"/13.0"	
	Right Hinge Cap 14.1"	
	Rubber Foot * 4	
	PCMCIA Screw Cover * 4	
	Modem Cover Mylar Film	
	CD-Player Panel Mylar	
	Screw Cushion for LCD Bezel * 2	
	Screw Mylar for LCD Bezel	
	Screw Mylar for Rear Cover * 4	
	12.1" LCD FPC Holder	
	RJ-11 Cable	
	12.1" Top Bracket	
	13.0" Top Bracket	
	Battery Latch Knob	
	Keyboard Light Switch	
	Launch Key Panel	



No.	Description	FRU No.
	Miscellaneous Kit (for Japan) Right Hinge Cap 12.1"/13.0" Right Hinge Cap 14.1" Rubber Foot * 4 PCMCIA Screw Cover * 4 Modem Cover Mylar Film CD-Player Panel Mylar Screw Cushion for LCD Bezel * 2 (Japan model) Screw Mylar for LCD Bezel (Japan model) Screw Mylar for Rear Cover * 4 (Japan model) RJ-11 Cable 13.0" Top Bracket Battery Latch Knob Keyboard Light Switch Launch Key Panel	08K6052
	Screw Kit WAFER MYLO M2.5*3.5LB-ZN Black PAN NYLOK M2.5*6LB-ZN Black PAN NYLOK M2.5*10LB-ZN Black MACH PH M2*8LB-ZN Pan Black MACH PAN M2*10L NI Silver M2*4 WAFER NI Silver M2*L3 Wafer Head Black SCREW PAN M2*12L NI Silver SCREW M3*5L 700 Wafer Silver	08K5877

## LCD FRU

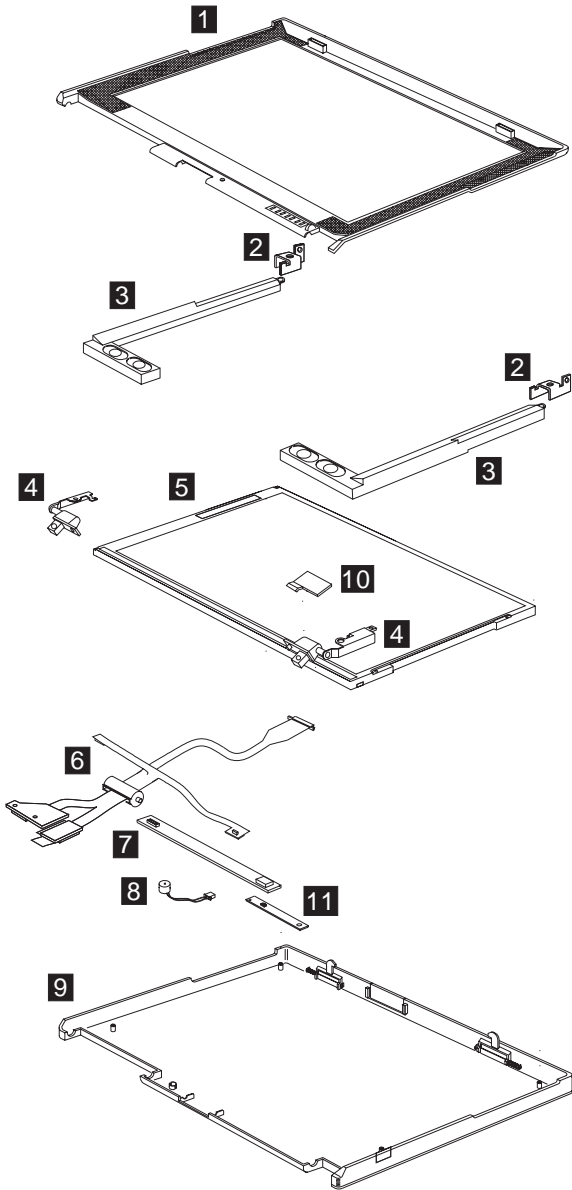
## 12.1-inch SVGA TFT



No.	Description	FRU No.
1	LCD BEZEL ASM 12.1"	08K5849
2	12.1" TFT LCD	08K5844
3	LCD Bracket-Hinge 12.1" (R,L)	08K5850
4	Misc. 12.1" Top Bracket	08K5878
5	Speaker Module (R,L)	08K5859
6	12.1" LCD FPC Assy.	27L0494
7	Cable Asm. of Microphone	27L0497

No.	Description	FRU No.
	Cable Asm. of Microphone (for Japan)	27L0511
8	LCD Rear Cover ASM 12.1" TFT	08K5848
9	LCD Inverter 12.1"	10L1380
10	Misc. Right Hinge Cap 12.1"/13.0"	08K5878
11	LED BD	10L1443
	LG/IBM Logo Kit	08K5860

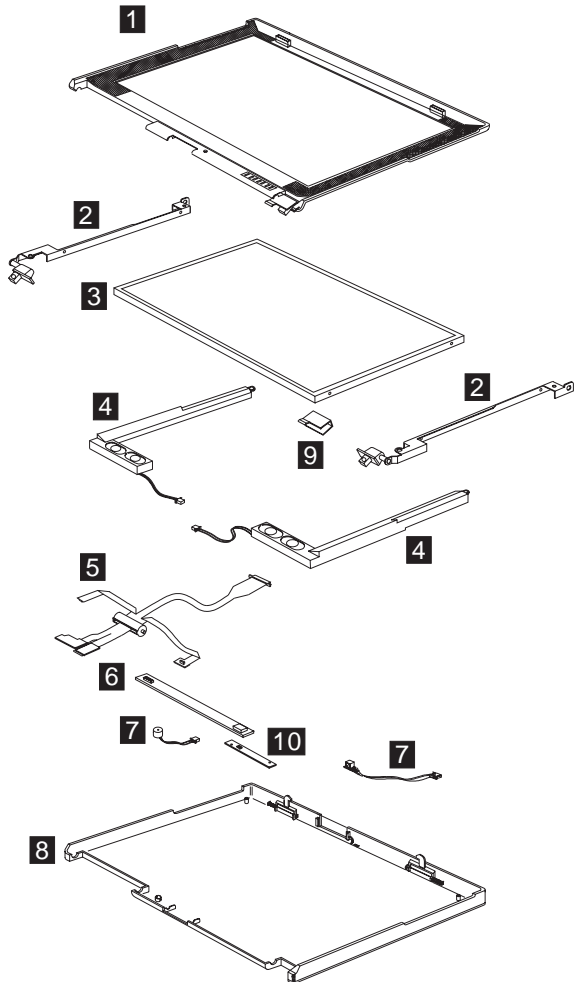
### 13.0-inch SVGA HPA



No.	Description	FRU No.
1	LCD BEZEL ASM 13.0"	08K5853
	LCD BEZEL ASM 13.0" (for Japan)	08K6051
2	Misc. 13.0" Top Bracket	08K5878
3	Speaker Module (R,L)	08K5859

<b>No.</b>	<b>Description</b>	<b>FRU No.</b>
4	LCD Bracket-Hinge 13.0" (R,L)	08K5854
5	13.0" HPA LCD	05K9596
6	13.0" LCD FPC Assy.	27L0495
	13.0" LCD FPC Assy. (for Japan)	27L0510
7	LCD Inverter 13.0"	10L1380
8	Cable Asm. of Microphone	27L0497
	Cable Asm. of Microphone (for Japan)	27L0511
9	LCD Rear Cover ASM 13.0" HPA	08K5852
	LCD Rear Cover ASM 13.0" HPA (with logo kit) (for Japan)	08K6048
10	Misc. Right Hinge Cap 12.1"/13.0"	08K5878
11	LED BD	10L1443
	LG/IBM Logo Kit	08K5860

## 14.1" XGA TFT



No.	Description	FRU No.
1	LCD BEZEL ASM 14.1"	08K5856
	LCD BEZEL ASM 14.1" (for Japan)	08K6050
2	LCD Bracket-Hinge 14.1" (R,L)	08K5857
3	14.1" TFT LCD (LG)	05K9591
	14.1" TFT LCD (Samsung)	05K9593
4	Speaker Module (R,L)	08K5859
5	14.1" LCD FPC Assy.	27L0496
	14.1" LCD FPC Assy. (for Japan)	27L0509
6	LCD Inverter 14.1"	10L1442
7	Cable ASM of Microphone & Keyboard LED Light	27L0497

No.	Description	FRU No.
	Cable ASM of Microphone & Keyboard LED Light (for Japan)	27L0511
8	LCD Rear Cover ASM 14.1" TFT	08K5855
	LCD Rear Cover ASM 14.1" TFT (for Japan)	08K5855
9	Misc. Right Hinge Cap 14.1"	08K6047
10	LED BD	10L1443
	LG/IBM Logo Kit	08K5860

## Keyboard

Description	Vendor	FRU No.
Keyboard US ENGLISH	ALPS	02K5060
Keyboard KOREAN	ALPS	02K5061
Keyboard UK ENGLISH	ALPS	02K5062
Keyboard CANADIAN FRENCH	ALPS	02K5063
Keyboard GERMANY	ALPS	02K5064
Keyboard FRENCH	ALPS	02K5065
Keyboard DUTCH	ALPS	02K5066
Keyboard SWEDISH/FINNISH	ALPS	02K5067
Keyboard NORWEGIAN	ALPS	02K5068
Keyboard DANISH	ALPS	02K5069
Keyboard JAPANESE	ALPS	02K5070
Keyboard TRAD. CHINESE	ALPS	02K5071
Keyboard ITALIAN	ALPS	02K5072
Keyboard SPANISH	ALPS	02K5073
Keyboard SWISS	ALPS	02K5074
Keyboard PORTUGUESE	ALPS	02K5075
Keyboard BELGIAN	ALPS	02K5076
Keyboard LA SPANISH	ALPS	02K5094
Keyboard US	API	02K5077
Keyboard Chinese	API	02K5078
Keyboard Korean	API	02K5079
Keyboard Swiss	API	02K5080
Keyboard Canadian French	API	02K5081
Keyboard Belgian	API	02K5082
Keyboard Danish	API	02K5083
Keyboard Italy	API	02K5084
Keyboard French	API	02K5085
Keyboard German	API	02K5086
Keyboard Norwegian	API	02K5087

Description	Vendor	FRU No.
Keyboard Portuguese	API	02K5088
Keyboard Spanish	API	02K5089
Keyboard Dutch	API	02K5090
Keyboard Swedish/Finnish	API	02K5091
Keyboard Japan	API	02K5092
Keyboard UK English	API	02K5093
Keyboard La Spanish	API	02K5095

## Common parts list

### Tools

Description	FRU No.
Tri-Connector Wrap Plug	72X8546
PC Test Card	35G4703
Audio Wrap Cable	66G5180
Screwdriver Kit	95F3598
USB Parallel Test Cable	05K2580
Torque Screwdriver	05K4695
5mm Socket Wrench	05K4694
Screwdriver	05K4693

### Miscellaneous

Description	FRU No.
Headset (for Japan only)	02K4941

### Modem cable

Description	FRU No.
Modem cable (German)	27L0441
Modem cable (UK, NZ)	27L0442
Modem cable (France)	27L0443
Modem cable (Holland)	27L0444
Modem cable (Sweden)	27L0445
Modem cable (Norway/Fin)	27L0446
Modem cable (Denmark and Portugal)	27L0447
Modem cable (Italy)	27L0448
Modem cable (Austria)	27L0449
Modem cable (Spain)	27L0450
Modem cable (Belgium)	27L0451
Modem cable (Switzerland)	27L0462



Description	FRU No.
Modem cable (US/C, JPN, Twn, APN, LA, Brz)	27L0465
Modem cable (Australia)	27L0467

## AC adapter

Description	FRU No.
AC Adapter 2-pin (Delta)	02K6548
AC Adapter 2-pin (Sanken)	02K6554
AC Adapter 3-pin (Delta)	02K6550
AC Adapter 3-pin (Sanken)	02K6555

**Power cords:** IBM power cords for a specific country are usually available only in that country.

### For 2-pin power cords:

IBM power cord part number	Used in these countries or regions
13H5273	Japan

For 3-pin power cords:

**Note:** The grounded adapter is required for full MPRII compliance. If a 3-pin power cord came with your computer, see "Safety Information" on page 11.

IBM power cord part number	Used in these countries or regions
02K0539	People's Republic of China (other than Hong Kong)
36L8867	Argentina
76H3514	Australia, New Zealand, Papua New Guinea, Paraguay, Uruguay
76H3516	Aruba, Bahamas, Barbados, Bermuda, Bolivia, Brazil, Canada, Cayman Islands, Colombia, Costa Rica, Curacao, Dominican Republic, Ecuador, El Salvador, Guatemala, Guyana, Haiti, Honduras, Jamaica, Korea (South), Liberia, Mexico, Netherlands Antilles, Nicaragua, Panama, Peru, Philippines, Saudi Arabia, Suriname, Taiwan, Thailand, Trinidad (West Indies), United States of America, Venezuela

IBM power cord part number	Used in these countries or regions
76H3518	Austria, Belgium, Bosnia-Herzegovina, Bulgaria, Croatia, Czech Republic, Egypt, Finland, France, Germany, Greece, Hungary, Iceland, Indonesia, Macao, Macedonia, Netherlands, Norway, Poland, Portugal, Romania, Slovakia, Slovenia, Spain, Sweden, Turkey, Yugoslavia
76H3520	Denmark <b>Note:</b> Due to consumer product, 2621 supplies power cord 76H3518 to Denmark.
76H3522	Bangladesh, Myanmar, Pakistan, South Africa, Sri Lanka
76H3524	Abu Dhabi, Albania, Antigua, Bahrain, Brunei, Dubai, Fiji, Hong Kong, India, Ireland, Kenya, Kuwait, Malaysia, Nigeria, Oman, Qatar, Singapore, United Kingdom
76H3528	Liechtenstein, Switzerland
76H3530	Chile, Ethiopia, Italy, Libya
76H3532	Israel
76H3535	Korea

---

## Notices

References in this publication to IBM products, programs, or services do not imply that IBM intends to make these available in all countries in which IBM operates. Any reference to an IBM product, program, or service is not intended to state or imply that only IBM product, program, or service may be used. Subject to IBM's valid intellectual property or other legally protectable rights, any functionally equivalent product program, or service may be used instead of the IBM product, program, or service. The evaluation and verification of operation in conjunction with other products, except those expressly designated by IBM, are the responsibility of the user.

IBM may have patents or pending patent applications covering subject matter in this document. The furnishing of this document does not give you any license to these patents. You can send license inquiries, in writing, to:

IBM Director of Licensing  
IBM Corporation  
500 Columbus Avenue  
Thornwood, NY 10594  
U.S.A.

---

## Trademarks

The following terms are trademarks or service marks of IBM Corporation in the United States and other countries:

IBM  
PS/2  
ThinkPad  
TrackPoint  
TrackPoint IV

The following terms are trademarks or service marks of other companies as follows:

AMD-K6-2	Advanced Micro Devices, Inc.
AMD	Advanced Micro Devices, Inc.
Intel	Intel Corporation
Celeron	Intel Corporation
Mylar	E.I. Du Pont de Nemours and Company
PC-Doctor	Watergate Software, Inc.
PCMCIA	Personal Computer Memory Card Interface Association
Pentium	Intel Corporation