



# ThinkPad 385XD



# Setup Guide

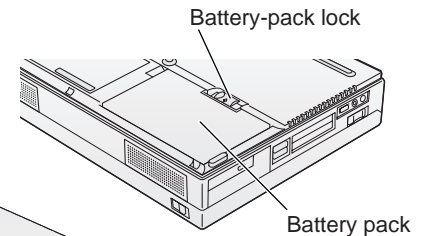
27L2577

This guide provides information for setting up your computer for the first time.

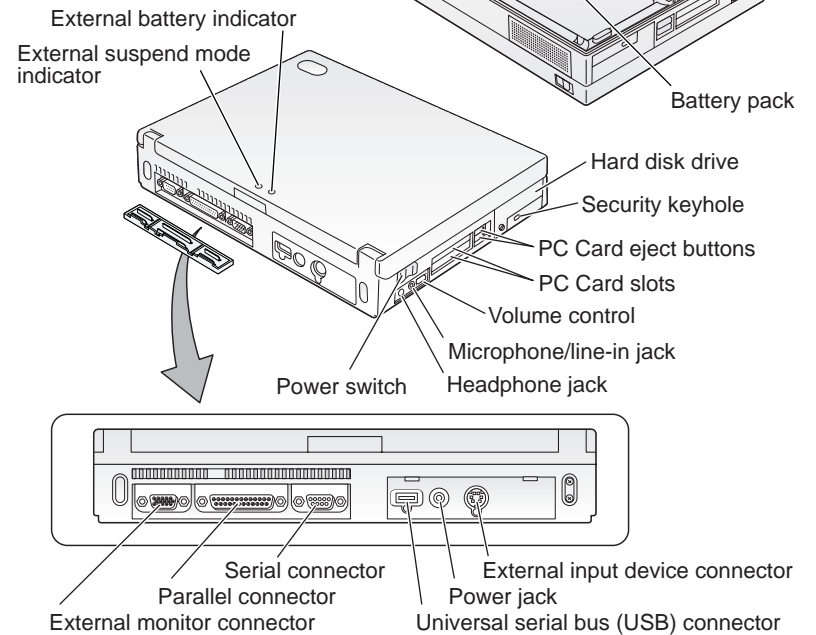
## Front View



## Bottom View



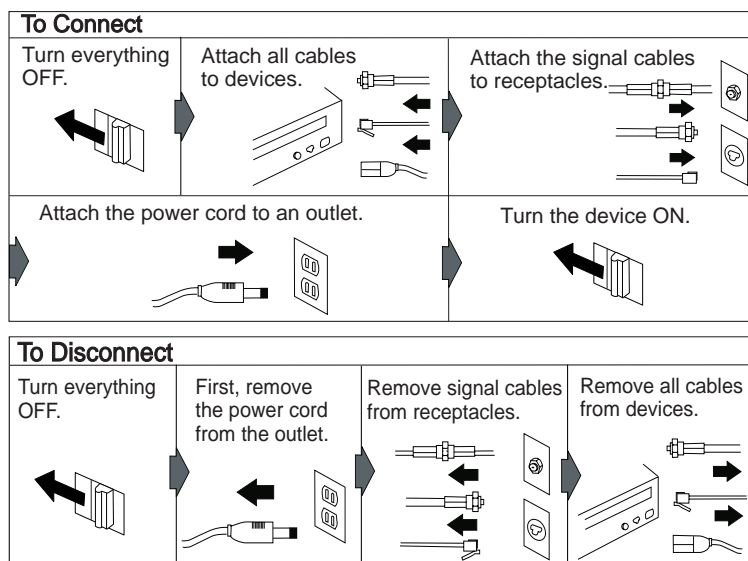
## Rear View



## Electrical Safety



**Electrical current from power, telephone, and communication cable is hazardous. To avoid shock hazard, connect and disconnect cables as shown below when installing, moving, or opening the covers of the product or attached devices. The 3-pin power cord must be used with a proper outlet.**



**Note:** In the U.K., by law:

The telephone line cable must be connected after the power cord.

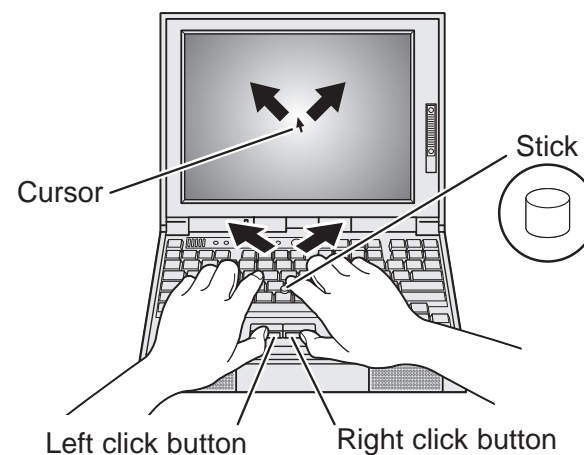
The power cord must be disconnected after the telephone line cable.

## Using the TrackPoint III

The TrackPoint III is a unique device for moving the cursor on the screen. You can perform all mouse operations with the TrackPoint III. The left and right buttons function like the left and right buttons on a mouse.

To move the cursor, use the red-topped stick at the center of the keyboard. Press gently with your left or right index finger in the direction you want to move the cursor. To select and drag an object, press and hold one of the buttons with either thumb as required by your software.

**Click** means to press the left button once. **Double-click** means to press the left button twice within 1 second.



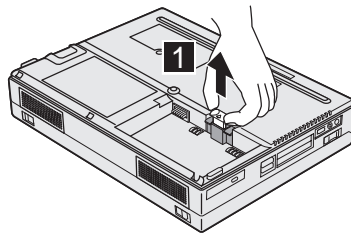
For more information about the TrackPoint III, see the *User's Guide*.

## Setting Up Your Computer

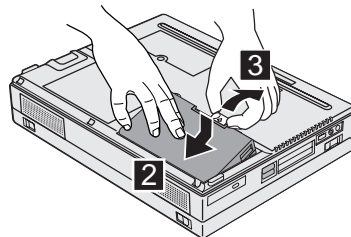
You are now ready to assemble and start your computer.

**1** Turn the computer upside down; then install the battery pack.

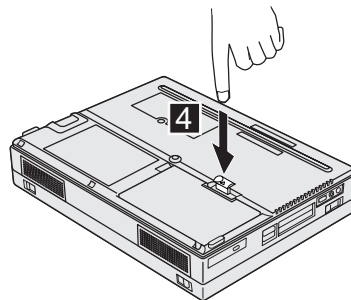
a) Pull the battery-pack lock upward **1**.



b) Install the battery pack as shown **2**, sliding the battery-pack lock toward the rear of the computer **3**.

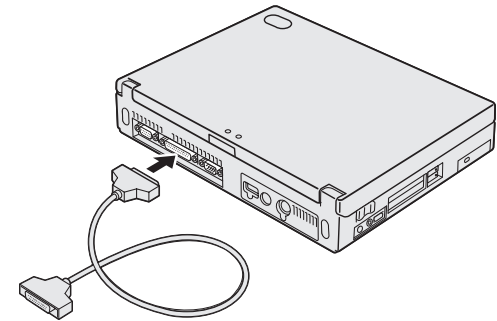


c) Press the battery-pack lock downward **4**.

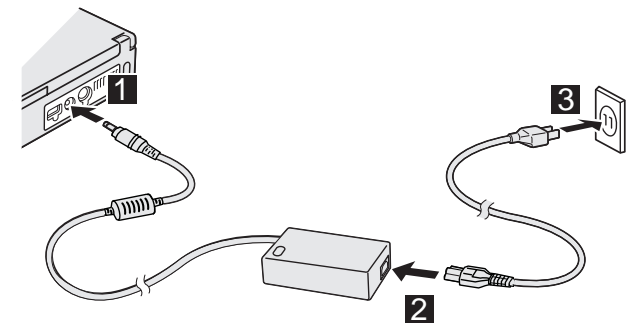


**2** Turn the computer over again.

**3** If you want to connect a printer to your computer, open the connector cover. Connect one end of the printer cable to the parallel connector and the other end to your printer. Then power on the printer.

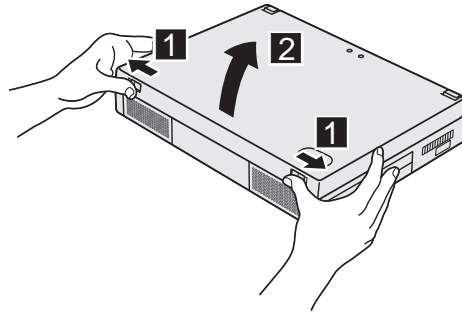


**4** Connect the AC Adapter to the computer's power jack (at the rear of the computer) in the order shown.



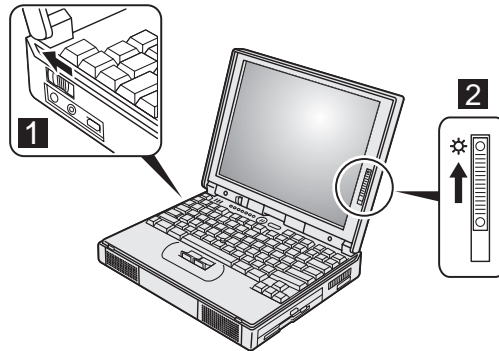
## 5 Open the liquid crystal display (LCD).

Press the LCD latches 1 and open the LCD 2. Then position the LCD so that it is convenient for viewing.



## 6 Power on the computer.

- Push and release the power switch 1. The power switch automatically snaps back to its original position.
- Adjust the brightness (☀) of the display with the brightness control 2.



## Registering Your Computer

After setting up your computer, take a few moments to complete the ThinkPad registration. The information you provide will help IBM to serve you better in the future. To register from the Windows 98 desktop, do the following:

**1** Double-click on **Register**.

**2** Follow the instructions on the screen to complete the registration.

(If you want to register your computer later, follow the same procedure.)

## Getting More Information

If you want to learn more about your computer and its options, see the following:

User's Guide	Online User's Guid
<ul style="list-style-type: none"><li>Getting familiar with your computer</li><li>Extending the features of your computer</li><li>Protecting your computer</li><li>Solving computer problems</li><li>Getting service</li><li>Features and specifications</li></ul>	<ul style="list-style-type: none"><li>Using your computer outside your home country</li><li>Using the audio feature</li><li>Protecting your computer</li><li>Using your computer with a battery pack</li><li>Using PC Cards</li><li>Using system management</li></ul>
Information for Windows 98	<b>Note:</b> To start the <i>Online User's Guide</i> , click on <b>Start</b> and move the cursor to <b>Programs, ThinkPad 385XD</b> ; then click on <b>ThinkPad 385XD User's Guide</b> .
<ul style="list-style-type: none"><li>Using the ThinkPad Configuration program</li><li>Backing up your system</li><li>Solving computer problems</li><li>Installing the device driver for Windows 98</li></ul>	