



# ThinkPad R32 Series Hardware Maintenance Manual

Before using this information and the product it supports, be sure to read the general information under “Introduction” on page 1, and “Notices” on page 241.

**First Edition(November 2002)**

**The following paragraph does not apply to the United Kingdom or any country where such provisions are inconsistent with local law:**

INTERNATIONAL BUSINESS MACHINES CORPORATION PROVIDES THIS PUBLICATION “AS IS” WITHOUT ANY WARRANTY OF ANY KIND, EITHER EXPRESS OR IMPLIED, INCLUDING, BUT NOT LIMITED TO, THE LIMITED WARRANTIES OF MERCHANTABILITY OR FITNESS FOR A PARTICULAR PURPOSE. Some states do not allow disclaimers or express or implied warranties in certain transactions; therefore, this statement may not apply to you.

This publication could include technical inaccuracies or typographical errors. Changes are periodically made to the information herein; these changes will be incorporated in new editions of the publication. IBM may make improvements or changes in the products or the programs described in this publication at any time.

Requests for technical information about IBM products should be made to your IBM Authorized Dealer or your IBM Marketing Representative.

**© Copyright International Business Machines Corporation 2002. All rights reserved.** Note to US Government Users — Documentation related to restricted rights — Use, duplication, or disclosure is subject to restrictions set forth in GSA ADP Schedule Contract with IBM Corp.

---

# Preface

## *About this manual*

This manual contains service and reference information for IBM ThinkPad R32 Series Hardware Maintenance Manual products. Use this manual along with the advanced diagnostic tests to troubleshoot problems effectively.

The manual is divided into sections as follows:

- The Introduction section provides general information, guidelines, and safety information required to service computers.
- The product-specific section includes service, reference, and product-specific parts information.

### **Important**

This manual is intended for trained servicers who are familiar with ThinkPad products. Use this manual along with the advanced diagnostic tests to troubleshoot problems effectively. Before servicing an IBM ThinkPad product, be sure to review the safety information under “Safety Notices (Multi-lingual Translations)” on page 3, “Safety Information” on page 11 and “Laser Compliance Statement” on page 16



---

# Contents

<b>Preface</b> . . . . .	<b>iii</b>
<b>ThinkPad R32 Series Hardware Maintenance Manual</b>	<b>1</b>
Introduction . . . . .	1
Important Service Information. . . . .	1
Drive and Diskette Compatibility Matrix . . . . .	2
Safety Notices (Multi-lingual Translations) . . . . .	3
Safety Information. . . . .	11
Laser Compliance Statement . . . . .	16
General Descriptions . . . . .	19
Read this first . . . . .	20
What to do first . . . . .	20
FRU replacement notices . . . . .	22
LCD replacement notice . . . . .	22
Screw notices . . . . .	22
System board/LCD/Inverter replacement notice . . . . .	23
Related service information . . . . .	26
Power button as reset switch . . . . .	26
Running a low-level format . . . . .	26
Service Web site . . . . .	26
Passwords . . . . .	26
Power management features . . . . .	28
Fn key combinations . . . . .	30
Product recovery program . . . . .	30
Flash BIOS. . . . .	33
Checkout guide . . . . .	34
Testing the computer . . . . .	34
Related service information . . . . .	35
Power systems checkout. . . . .	36
Symptom-to-FRU Index . . . . .	39
Numeric Error Codes and Messages . . . . .	39
Beep Symptoms . . . . .	47
LCD-Related Symptoms . . . . .	49
Keyboard/TrackPoint-Related Symptoms . . . . .	50
Indicator-Related Symptoms. . . . .	50
Power-Related Symptoms . . . . .	50
Memory-Related Symptom . . . . .	51
Audio-Related Symptoms . . . . .	51
PC Card (PCMCIA)-Related Symptoms . . . . .	51
Power Management-Related Symptoms . . . . .	52
Peripheral-Device-Related Symptoms . . . . .	52
Modem-Related Symptom . . . . .	53
Operating System-Related Symptom . . . . .	53
Intermittent Problems. . . . .	53
Undetermined Problems . . . . .	54
ThinkPad R32 Series Part I . . . . .	55
Product overview . . . . .	56
FRU removals and replacements . . . . .	62
Locations . . . . .	98
Parts list . . . . .	101

- ThinkPad R32 Series Part II . . . . . 115
  - Product overview . . . . . 116
  - FRU removals and replacements . . . . . 122
  - Locations . . . . . 158
  - Parts list . . . . . 161
- ThinkPad R32 Series Part III . . . . . 175
  - Product overview . . . . . 176
  - FRU removals and replacements . . . . . 182
  - Locations . . . . . 219
  - Parts list . . . . . 222
- Notices . . . . . 241
- Trademarks . . . . . 242

---

# ThinkPad R32 Series Hardware Maintenance Manual

---

## Introduction

### Important Service Information

#### Important

Diskette fixes are customer-installable. The diskette fixes are posted on the IBM support site <http://www.pc.ibm.com/support/>.

Advise customers to contact the PC Company HelpCenter at 800-772-2227 if they need assistance in obtaining or installing any diskette fixes.

Customers in Canada should call IBM HelpPC at 800-565-3344 for assistance or download information.

### FRU Replacement Strategy

#### Before Replacing Parts

Ensure that all diskette fixes are installed prior to replacing any FRUs listed in this manual.

Use the following strategy to prevent unnecessary FRU replacement and service expense:

- **If you are instructed to replace a FRU and that does not correct the problem, reinstall the original FRU before you continue.**
- Some computers have both a processor board and a system board. If you are instructed to replace either the processor board or the system board, and the first board that you replaced does not correct the problem, reinstall the original board, then replace the other (processor or system) board.
- If an adapter or device consists of more than one FRU, an error code may be caused by any of the FRUs. Before replacing the adapter or device, remove the FRUs, one by one, to see if the symptoms change. Replace only the FRU that changed the symptoms.

**Attention:** A customized setup configuration (other than default settings) may exist on the computer you are servicing. Running Automatic Configuration may alter those settings. Note the current configuration settings (using the View Configuration option) and verify that the settings are in place when service is complete.

## Hard Disk Drive Replacement Strategy

Always try to run a low-level format before replacing a hard disk drive.

**Attention:** The drive startup sequence in the computer you are servicing might have been changed. Be extremely careful during write operations such as copying, saving, or formatting. Data or programs can be over-written if you select an incorrect drive.

## How to Use Error Messages

Use the error codes displayed on the screen to diagnose failures. If more than one error code is displayed, begin the diagnosis with the first error code. The cause of the first error code can result in false error codes being displayed. If no error code is displayed, see if the error symptom is listed in the Symptom-to-FRU Index for the computer you are servicing.

## How to Read POST Error Messages

POST error messages are displayed on the screen as three, four, five, or eight digits. The error messages that can be displayed as shorter POST messages are highlighted in this index. Some digits will represent different information for SCSI errors versus non-SCSI errors.

All SCSI devices are set to a different SCSI ID. Duplicate SCSI ID settings can generate a false error message. Use the SCSI ID to determine whether the error message is coming from an internal or an external device.

## Drive and Diskette Compatibility Matrix

The following table provides identification information for 3.5-inch drives.

Diskette Drive	Identifying Mark
3.5-Inch - 1.44MB	1.44 on the eject button
3.5-Inch - 2.88MB	2.88 on the eject button

The following table provides compatibility information for 3.5-inch diskettes and 3.5-inch diskette drives.

Diskette Capacity	1.44MB Drive	2.88MB Drive
1.0MB	Read/Write	Read/Write
2.0MB	Read/Write	Read/Write
4.0MB	Not Compatible	Read/Write



## Safety Notices (Multi-lingual Translations)

In this manual, safety notices appear in English with a page number reference to the appropriate multi-lingual, translated safety notice found in this section.

The following safety notices are provided in English, French, German, Italian, and Spanish.

### Safety Notice 1

Before the computer is powered-on after FRU replacement, make sure all screws, springs, or other small parts are in place and are not left loose inside the computer. Verify this by shaking the computer and listening for rattling sounds. Metallic parts or metal flakes can cause electrical shorts.

Avant de remettre l'ordinateur sous tension après remplacement d'une unité en clientèle, vérifiez que tous les ressorts, vis et autres pièces sont bien en place et bien fixées. Pour ce faire, secouez l'unité et assurez-vous qu'aucun bruit suspect ne se produit. Des pièces métalliques ou des copeaux de métal pourraient causer un court-circuit.

Bevor nach einem FRU-Austausch der Computer wieder angeschlossen wird, muß sichergestellt werden, daß keine Schrauben, Federn oder andere Kleinteile fehlen oder im Gehäuse vergessen wurden. Der Computer muß geschüttelt und auf Klappergeräusche geprüft werden. Metallteile oder -splitter können Kurzschlüsse erzeugen.

Prima di accendere l'elaboratore dopo che é stata effettuata la sostituzione di una FRU, accertarsi che tutte le viti, le molle e tutte le altri parti di piccole dimensioni siano nella corretta posizione e non siano sparse all'interno dell'elaboratore. Verificare ciò scuotendo l'elaboratore e prestando attenzione ad eventuali rumori; eventuali parti o pezzetti metallici possono provocare cortocircuiti pericolosi.

Antes de encender el sistema despues de sustituir una FRU, compruebe que todos los tornillos, muelles y demás piezas pequeñas se encuentran en su sitio y no se encuentran sueltas dentro del sistema. Compruébelo agitando el sistema y escuchando los posibles ruidos que provocarían. Las piezas metálicas pueden causar cortocircuitos eléctricos.

### **Safety Notice 2**

Some standby batteries contain a small amount of nickel and cadmium. Do not disassemble it, recharge it, throw it into fire or water, or short-circuit it. Dispose of the battery as required by local ordinances or regulations. Use only the battery in the appropriate parts listing. Use of an incorrect battery can result in ignition or explosion of the battery.

Certaines batteries de secours contiennent du nickel et du cadmium. Ne les démontez pas, ne les rechargez pas, ne les exposez ni au feu ni à l'eau. Ne les mettez pas en court-circuit. Pour les mettre au rebut, conformez-vous à la réglementation en vigueur. Lorsque vous remplacez la pile de sauvegarde ou celle de l'horloge temps réel, veillez à n'utiliser que les modèles cités dans la liste de pièces détachées adéquate. Une batterie ou une pile inappropriée risque de prendre feu ou d'exploser.

Die Bereitschaftsbatterie, die sich unter dem Diskettenlaufwerk befindet, kann geringe Mengen Nickel und Cadmium enthalten. Sie darf nur durch die Verkaufsstelle oder den IBM Kundendienst ausgetauscht werden. Sie darf nicht zerlegt, wiederaufgeladen, kurzgeschlossen, oder Feuer oder Wasser ausgesetzt werden. Die Batterie kann schwere Verbrennungen oder Verätzungen verursachen. Bei der Entsorgung die örtlichen Bestimmungen für Sondermüll beachten. Beim Ersetzen der Bereitschafts- oder Systembatterie nur Batterien des Typs verwenden, der in der Ersatzteilliste aufgeführt ist. Der Einsatz falscher Batterien kann zu Entzündung oder Explosion führen.

**(Continued)**

Alcune batterie di riserva contengono una piccola quantità di nichel e cadmio. Non smontarle, ricaricarle, gettarle nel fuoco o nell'acqua né cortocircuitarle. Smaltirle secondo la normativa in vigore (DPR 915/82, successive disposizioni e disposizioni locali). Quando si sostituisce la batteria dell'RTC (real time clock) o la batteria di supporto, utilizzare soltanto i tipi inseriti nell'appropriato Catalogo parti. L'impiego di una batteria non adatta potrebbe determinare l'incendio o l'esplosione della batteria stessa.

Algunas baterías de reserva contienen una pequeña cantidad de níquel y cadmio. No las desmonte, ni recargue, ni las eche al fuego o al agua ni las cortocircuite. Deséchelas tal como dispone la normativa local. Utilice sólo baterías que se encuentren en la lista de piezas. La utilización de una batería no apropiada puede provocar la ignición o explosión de la misma.

### **Safety Notice 3**

The battery pack contains small amounts of nickel. Do not disassemble it, throw it into fire or water, or short-circuit it. Dispose of the battery pack as required by local ordinances or regulations. Use only the battery in the appropriate parts listing when replacing the battery pack. Use of an incorrect battery can result in ignition or explosion of the battery.

La batterie contient du nickel. Ne la démontez pas, ne l'exposez ni au feu ni à l'eau. Ne la mettez pas en court-circuit. Pour la mettre au rebut, conformez-vous à la réglementation en vigueur. Lorsque vous remplacez la batterie, veillez à n'utiliser que les modèles cités dans la liste de pièces détachées adéquate. En effet, une batterie inappropriée risque de prendre feu ou d'exploser.

Akkus enthalten geringe Mengen von Nickel. Sie dürfen nicht zerlegt, wiederaufgeladen, kurzgeschlossen, oder Feuer oder Wasser ausgesetzt werden. Bei der Entsorgung die örtlichen Bestimmungen für Sondermüll beachten. Beim Ersetzen der Batterie nur Batterien des Typs verwenden, der in der Ersatzteilliste aufgeführt ist. Der Einsatz falscher Batterien kann zu Entzündung oder Explosion führen.

La batteria contiene piccole quantità di nichel. Non smontarla, gettarla nel fuoco o nell'acqua né cortocircuitarla. Smaltirla secondo la normativa in vigore (DPR 915/82, successive disposizioni e disposizioni locali). Quando si sostituisce la batteria, utilizzare soltanto i tipi inseriti nell'appropriato Catalogo parti. L'impiego di una batteria non adatta potrebbe determinare l'incendio o l'esplosione della batteria stessa.

Las baterías contienen pequeñas cantidades de níquel. No las desmonte, ni recargue, ni las eche al fuego o al agua ni las cortocircuite. Deséchelas tal como dispone la normativa local. Utilice sólo baterías que se encuentren en la lista de piezas al sustituir la batería. La utilización de una batería no apropiada puede provocar la ignición o explosión de la misma.

#### **Safety Notice 4**

The lithium battery can cause a fire, explosion, or severe burn. Do not recharge it, remove its polarized connector, disassemble it, heat it above 100°C (212°F), incinerate it, or expose its cell contents to water. Dispose of the battery as required by local ordinances or regulations. Use only the battery in the appropriate parts listing. Use of an incorrect battery can result in ignition or explosion of the battery.

La pile de sauvegarde contient du lithium. Elle présente des risques d'incendie, d'explosion ou de brûlures graves. Ne la rechargez pas, ne retirez pas son connecteur polarisé et ne la démontez pas. Ne l'exposez pas à une température supérieure à 100°C, ne la faites pas brûler et n'en exposez pas le contenu à l'eau. Mettez la pile au rebut conformément à la réglementation en vigueur. Une pile inappropriée risque de prendre feu ou d'exploser.

Die Systematterie ist eine Lithiumatterie. Sie kann sich entzünden, explodieren oder schwere Verbrennungen hervorrufen. Batterien dieses Typs dürfen nicht aufgeladen, zerlegt, über 100 C erhitzt oder verbrannt werden. Auch darf ihr Inhalt nicht mit Wasser in Verbindung gebracht oder der zur richtigen Polung angebrachte Verbindungsstecker entfernt werden. Bei der Entsorgung die örtlichen Bestimmungen für Sondermüll beachten. Beim Ersetzen der Batterie nur Batterien des Typs verwenden, der in der Ersatzteilliste aufgeführt ist. Der Einsatz falscher Batterien kann zu Entzündung oder Explosion führen.

La batteria di supporto è una batteria al litio e può incendiarsi, esplodere o procurare gravi ustioni. Evitare di ricaricarla, smontarne il connettore polarizzato, smontarla, riscaldarla ad una temperatura superiore ai 100 gradi centigradi, incendiarla o gettarla in acqua. Smaltirla secondo la normativa in vigore (DPR 915/82, successive disposizioni e disposizioni locali). L'impiego di una batteria non adatta potrebbe determinare l'incendio o l'esplosione della batteria stessa.

**(Continued)**

La batería de repuesto es una batería de litio y puede provocar incendios, explosiones o quemaduras graves. No la recargue, ni quite el conector polarizado, ni la desmonte, ni caliente por encima de los 100°C (212°F), ni la incinere ni exponga el contenido de sus celdas al agua. Deséchela tal como dispone la normativa local.

### **Safety Notice 5**

If the LCD breaks and the fluid from inside the LCD gets into your eyes or on your hands, immediately wash the affected areas with water for at least 15 minutes. Seek medical care if any symptoms from the fluid are present after washing.

Si le panneau d'affichage à cristaux liquides se brise et que vous recevez dans les yeux ou sur les mains une partie du fluide, rincez-les abondamment pendant au moins quinze minutes. Consultez un médecin si des symptômes persistent après le lavage.

Die Leuchtstoffröhre im LCD-Bildschirm enthält Quecksilber. Bei der Entsorgung die örtlichen Bestimmungen für Sondermüll beachten. Der LCD-Bildschirm besteht aus Glas und kann zerbrechen, wenn er unsachgemäß behandelt wird oder der Computer auf den Boden fällt. Wenn der Bildschirm beschädigt ist und die darin befindliche Flüssigkeit in Kontakt mit Haut und Augen gerät, sollten die betroffenen Stellen mindestens 15 Minuten mit Wasser abgespült und bei Beschwerden anschließend ein Arzt aufgesucht werden.

Nel caso che caso l'LCD si dovesse rompere ed il liquido in esso contenuto entrasse in contatto con gli occhi o le mani, lavare immediatamente le parti interessate con acqua corrente per almeno 15 minuti; poi consultare un medico se i sintomi dovessero permanere.

Si la LCD se rompe y el fluido de su interior entra en contacto con sus ojos o sus manos, lave inmediatamente las áreas afectadas con agua durante 15 minutos como mínimo. Obtenga atención medica si se presenta algún síntoma del fluido despues de lavarse.

### **Safety Notice 6**

To avoid shock, do not remove the plastic cover that surrounds the lower portion of the inverter card.

Afin d'éviter tout risque de choc électrique, ne retirez pas le cache en plastique protégeant la partie inférieure de la carte d'alimentation.

Aus Sicherheitsgründen die Kunststoffabdeckung, die den unteren Teil der Spannungswandlerplatine umgibt, nicht entfernen.

Per evitare scosse elettriche, non rimuovere la copertura in plastica che avvolge la parte inferiore della scheda invertitore.

Para evitar descargas, no quite la cubierta de plástico que rodea la parte baja de la tarjeta invertida.

### **Safety Notice 7**

Though main batteries have low voltage, a shorted or grounded battery can produce enough current to burn combustible materials or personnel.

Bien que le voltage des batteries principales soit peu élevé, le court-circuit ou la mise à la masse d'une batterie peut produire suffisamment de courant pour brûler des matériaux combustibles ou causer des brûlures corporelles graves.

Obwohl Hauptbatterien eine niedrige Spannung haben, können sie doch bei Kurzschluß oder Erdung genug Strom abgeben, um brennbare Materialien zu entzünden oder Verletzungen bei Personen hervorzurufen.

Sebbene le batterie di alimentazione siano a basso voltaggio, una batteria in corto circuito o a massa può fornire corrente sufficiente da bruciare materiali combustibili o provocare ustioni ai tecnici di manutenzione.

Aunque las baterías principales tienen un voltaje bajo, una batería cortocircuitada o con contacto a tierra puede producir la corriente suficiente como para quemar material combustible o provocar quemaduras en el personal.



### **Safety Notice 8**

Before removing any FRU, power-off the computer, unplug all power cords from electrical outlets, remove the battery pack, then disconnect any interconnecting cables.

Avant de retirer une unité remplaçable en clientèle, mettez le système hors tension, débranchez tous les cordons d'alimentation des socles de prise de courant, retirez la batterie et déconnectez tous les cordons d'interface.

Die Stromzufuhr muß abgeschaltet, alle Stromkabel aus der Steckdose gezogen, der Akku entfernt und alle Verbindungskabel abgenommen sein, bevor eine FRU entfernt wird.

Prima di rimuovere qualsiasi FRU, spegnere il sistema, scollegare dalle prese elettriche tutti i cavi di alimentazione, rimuovere la batteria e poi scollegare i cavi di interconnessione.

Antes de quitar una FRU, apague el sistema, desenchufe todos los cables de las tomas de corriente eléctrica, quite la batería y, a continuación, desconecte cualquier cable de conexión entre dispositivos.

## **Safety Information**

The following section contains the safety information that you need to be familiar with before servicing an IBM mobile computer.

### **General Safety**

Follow these rules to ensure general safety:

- Observe good housekeeping in the area of the machines during and after maintenance.
- When lifting any heavy object:
  1. Ensure you can stand safely without slipping.
  2. Distribute the weight of the object equally between your feet.
  3. Use a slow lifting force. Never move suddenly or twist when you attempt to lift.
  4. Lift by standing or by pushing up with your leg muscles; this action removes the strain from the muscles in your back. *Do not attempt to lift any objects that weigh more than 16 kg (35 lb) or objects that you think are too heavy for you.*

- Do not perform any action that causes hazards to the customer, or that makes the equipment unsafe.
- Before you start the machine, ensure that other service representatives and the customer's personnel are not in a hazardous position.
- Place removed covers and other parts in a safe place, away from all personnel, while you are servicing the machine.
- Keep your tool case away from walk areas so that other people will not trip over it.
- Do not wear loose clothing that can be trapped in the moving parts of a machine. Ensure that your sleeves are fastened or rolled up above your elbows. If your hair is long, fasten it.
- Insert the ends of your necktie or scarf inside clothing or fasten it with a nonconductive clip, approximately 8 centimeters (3 inches) from the end.
- Do not wear jewelry, chains, metal-frame eyeglasses, or metal fasteners for your clothing.

**Attention:** Metal objects are good electrical conductors.

- Wear safety glasses when you are: hammering, drilling soldering, cutting wire, attaching springs, using solvents, or working in any other conditions that might be hazardous to your eyes.
- After service, reinstall all safety shields, guards, labels, and ground wires. Replace any safety device that is worn or defective.
- Reinstall all covers correctly before returning the machine to the customer.

## Electrical Safety

Observe the following rules when working on electrical equipment.

### Important

Use only approved tools and test equipment. Some hand tools have handles covered with a soft material that does not insulate you when working with live electrical currents. Many customers have, near their equipment, rubber floor mats that contain small conductive fibers to decrease electrostatic discharges. Do not use this type of mat to protect yourself from electrical shock.

- Find the room emergency power-off (EPO) switch, disconnecting switch, or electrical outlet. If an electrical accident occurs, you can then operate the switch or unplug the power cord quickly.

- Do not work alone under hazardous conditions or near equipment that has hazardous voltages.
- Disconnect all power before:
  - Performing a mechanical inspection
  - Working near power supplies
  - Removing or installing main units
- Before you start to work on the machine, unplug the power cord. If you cannot unplug it, ask the customer to power-off the wall box that supplies power to the machine and to lock the wall box in the off position.
- If you need to work on a machine that has exposed electrical circuits, observe the following precautions:
  - Ensure that another person, familiar with the power-off controls, is near you.
 

**Attention:** Another person must be there to switch off the power, if necessary.
  - Use only one hand when working with powered-on electrical equipment; keep the other hand in your pocket or behind your back.
 

**Attention:** There must be a complete circuit to cause electrical shock. By observing the above rule, you may prevent a current from passing through your body.
  - When using testers, set the controls correctly and use the approved probe leads and accessories for that tester.
  - Stand on suitable rubber mats (obtained locally, if necessary) to insulate you from grounds such as metal floor strips and machine frames.

Observe the special safety precautions when you work with very high voltages; these instructions are in the safety sections of maintenance information. Use extreme care when measuring high voltages.

- Regularly inspect and maintain your electrical hand tools for safe operational condition.
- Do not use worn or broken tools and testers.
- Never assume that power has been disconnected from a circuit. First, check that it has been powered-off.
- Always look carefully for possible hazards in your work area. Examples of these hazards are moist floors, nongrounded power extension cables, power surges, and missing safety grounds.
- Do not touch live electrical circuits with the reflective surface of a plastic dental mirror. The surface is conductive; such touching can cause personal injury and machine damage.

- Do not service the following parts with the power on when they are removed from their normal operating places in a machine:

- Power supply units
- Pumps
- Blowers and fans
- Motor generators

and similar units. (This practice ensures correct grounding of the units.)

- If an electrical accident occurs:
  - **Use caution; do not become a victim yourself.**
  - **Switch off power.**
  - **Send another person to get medical aid.**

## Safety Inspection Guide

The intent of this inspection guide is to assist you in identifying potentially unsafe conditions on these products. Each machine, as it was designed and built, had required safety items installed to protect users and service personnel from injury. This guide addresses only those items. However, good judgment should be used to identify potential safety hazards due to attachment of non-IBM features or options not covered by this inspection guide.

If any unsafe conditions are present, you must determine how serious the apparent hazard could be and whether you can continue without first correcting the problem. Consider these conditions and the safety hazards they present:

- Electrical hazards, especially primary power (primary voltage on the frame can cause serious or fatal electrical shock).
- Explosive hazards, such as a damaged CRT face or bulging capacitor.
- Mechanical hazards, such as loose or missing hardware.

The guide consists of a series of steps presented in a checklist. Begin the checks with the power off, and the power cord disconnected.

Checklist:

1. Check exterior covers for damage (loose, broken, or sharp edges).
2. Power-off the computer. Disconnect the power cord.
3. Check the power cord for:
  - a. A third-wire ground connector in good condition. Use a meter to measure third-wire ground

continuity for 0.1 ohm or less between the external ground pin and frame ground.

- b. The power cord should be the appropriate type as specified in the parts listings.
  - c. Insulation must not be frayed or worn.
4. Remove the cover.
  5. Check for any obvious non-IBM alterations. Use good judgment as to the safety of any non-IBM alterations.
  6. Check inside the unit for any obvious unsafe conditions, such as metal filings, contamination, water or other liquids, or signs of fire or smoke damage.
  7. Check for worn, frayed, or pinched cables.
  8. Check that the power-supply cover fasteners (screws or rivets) have not been removed or tampered with.

## **Handling Electrostatic Discharge-Sensitive Devices**

Any computer part containing transistors or integrated circuits ( ICs) should be considered sensitive to electrostatic discharge (ESD). ESD damage can occur when there is a difference in charge between objects. Protect against ESD damage by equalizing the charge so that the machine, the part, the work mat, and the person handling the part are all at the same charge.

### **Notes:**

1. Use product-specific ESD procedures when they exceed the requirements noted here.
2. Make sure that the ESD protective devices you use have been certified (ISO 9000) as fully effective.

When handling ESD-sensitive parts:

- Keep the parts in protective packages until they are inserted into the product.
- Avoid contact with other people.
- Wear a grounded wrist strap against your skin to eliminate static on your body.
- Prevent the part from touching your clothing. Most clothing is insulative and retains a charge even when you are wearing a wrist strap.
- Use the black side of a grounded work mat to provide a static-free work surface. The mat is especially useful when handling ESD-sensitive devices.
- Select a grounding system, such as those listed below, to provide protection that meets the specific service requirement.

**Note:** The use of a grounding system is desirable but not required to protect against ESD damage.

- Attach the ESD ground clip to any frame ground, ground braid, or green-wire ground.
- Use an ESD common ground or reference point when working on a double-insulated or battery-operated system.
- You can use coax or connector-outside shells on these systems.
- Use the round ground-prong of the AC plug on AC-operated computers.

## **Grounding Requirements**

Electrical grounding of the computer is required for operator safety and correct system function. Proper grounding of the electrical outlet can be verified by a certified electrician.

## **Laser Compliance Statement**

Some IBM Personal Computer models are equipped from the factory with a CD-ROM drive. CD-ROM drives are also sold separately as options. The CD-ROM drive is a laser product. The CD-ROM drive is certified in the U.S. to conform to the requirements of the Department of Health and Human Services 21 Code of Federal Regulations (DHHS 21 CFR) Subchapter J for Class 1 laser products. Elsewhere, the drive is certified to conform to the requirements of the International Electrotechnical Commission (IEC) 825 and CENELEC EN 60 825 for Class 1 laser products.

When a CD-ROM drive is installed, note the following.



**CAUTION:**

Use of controls or adjustments or performance of procedures other than those specified herein might result in hazardous radiation exposure.

O uso de controles, ajustes ou desempenho de procedimentos diferentes daqueles aqui especificados pode resultar em perigosa exposição à radiação.

凡未在这里指明的任何控制用法、调整、行为，都会导致严重后果。

Pour éviter tout risque d'exposition au rayon laser, respectez les consignes de réglage et d'utilisation des commandes, ainsi que les procédures décrites.

Werden Steuer- und Einstellelemente anders als hier festgesetzt verwendet, kann gefährliche Laserstrahlung auftreten.

Az itt előírt eljárásoktól, beállításoktól és vezérlésektől eltérni a lézersugárzás veszélye miatt kockázatos !

L'utilizzo di controlli, regolazioni o l'esecuzione di procedure diverse da quelle specificate possono provocare l'esposizione a

Использование элементов настройки и выполнение процедур иных, чем указано здесь, может привести к опасному радиационному облучению.

Použitie kontrôl, úprav alebo iných vykonaní od iných výrobcov, ako je v tomto špecifikované, mohlo by mať za následok nebezpečenstvo vystavenia sa vyžiarovaniu.

El uso de controles o ajustes o la ejecución de procedimientos distintos de los aquí especificados puede provocar la exposición a radiaciones peligrosas.

Opening the CD-ROM drive could result in exposure to hazardous laser radiation. There are no serviceable parts inside the CD-ROM drive. **Do not open.**

Some CD-ROM drives contain an embedded Class 3A or Class 3B laser diode. Note the following.

## **DANGER**

**Laser radiation when open. Do not stare into the beam, do not view directly with optical instruments, and avoid direct exposure to the beam.**

**Radiação por raio laser ao abrir. Não olhe fixo no feixe de luz, não olhe diretamente por meio de instrumentos óticos e evite exposição direta com o feixe de luz.**

开启时会有激光发射时，请勿盯视激光光束，请勿直接查看视觉仪器，并且避免直接接触在激光光束之中。

**Rayonnement laser si carter ouvert. Évitez de fixer le faisceau, de le regarder directement avec des instruments optiques, ou de vous exposer au rayon.**

**Laserstrahlung bei geöffnetem Gerät. Nicht direkt oder über optische Instrumente in den Laserstrahl sehen und den Strahlungsbereich meiden.**

**Kinyitáskor lézersugár ! Ne nézzen bele se szabad szemmel, se optikai eszközökkel. Kerülje a sugárnyalábbal való érintkezést !**

**Aprenendo l'unità vengono emesse radiazioni laser. Non fissare il fascio, non guardarlo direttamente con strumenti ottici e evitare l'esposizione diretta al fascio.**

Открывая, берегитесь лазерного излучения. Не смотрите на луч, не разглядывайте его с помощью оптических инструментов, а также избегайте прямого воздействия лазерного луча.

**Keď je laserová jednotka otvorená. Vyhnite sa priamemu pohľadu a nehladte priamo s optickými nástrojmi do lúča a vyhnite sa priamemu vystaveniu lúčov.**

**Radiación láser al abrir. No mire fijamente ni examine con instrumental óptico el haz de luz. Evite la exposición directa al haz.**



---

## **General Descriptions**

This chapter includes descriptions for any ThinkPad model that has the PC-Doctor DOS diagnostics program. Some descriptions might not apply to your particular computer.

---

## Read this first

Before you go to the checkout guide, be sure to read this section.

### Important Notes:

- **Only certified trained personnel should service the computer.**
- **Read the entire FRU service procedures before replacing any FRUs.**
- **Use new nylon-coated screws when you replace FRUs.**
- **Be extremely careful during write operations such as copying, saving, or formatting.** Drives in the computer that you are servicing might have been rearranged or the drive startup sequence might have been altered. If you select an incorrect drive, data or programs could be overwritten.
- **Replace FRUs only for the correct model.** When you replace a FRU, make sure that the model of the machine and FRU part number are correct by referring to the FRU parts list.
- **A FRU should not be replaced because of a single, unreproducible failure.** Single failure can occur for a variety of reasons that have nothing to do with a hardware defect, such as: cosmic radiation, electrostatic discharge, or software error. FRU replacement should be considered only when a recurring problem exists. In this case, clear the error log and run the test again. Do not replace FRUs if log errors do not reappear.
- **Be careful not to replace a non-defective FRU.**

## What to do first

The servicer must include the following in the parts exchange form or parts return form that is attached to the returned FRU:

1. Name and phone number of servicer
2. Date of service
3. Date when part failed
4. Date of purchase
5. Failure symptoms, error codes appearing on display, and beep symptoms
6. Procedure index and page number in which failing FRU was detected
7. Failing FRU name and part number
8. Machine type, model number and serial number
9. Customer's name and address

Before checking problems with the computer, determine whether the damage is covered under the warranty by referring to the following:

**Note for Warranty:  
For Warranty:**

During the warranty period, the customer may be responsible for repair costs if the computer damage was caused by misuse, accident, modification, unsuitable physical or operating environment, or improper maintenance by the customer. The following list provides some common items that are not covered under warranty and some symptoms that may indicate the system was subjected to stresses beyond normal use.

**The following is not covered under warranty:**

- LCD panel cracked by applying excessive force or by being dropped.
- Scratched (cosmetic) parts.
- Cracked or broken plastic parts, broken latches, broken pins, or broken connectors caused by excessive force.
- Damage caused by liquid spilled into the system.
- Damage caused by improperly inserting a PC Card or installation of an incompatible card.
- Damage caused by foreign material in the FDD.
- Diskette drive damage caused by pressing the diskette drive cover or inserting diskettes with multiple labels.
- Damaged or bent diskette drive eject button.
- CD-ROM/DVD-ROM drive damage caused by excessive force, shock, or by being dropped.
- Fuses blown by attaching a nonsupported device.
- Forgotten computer password (making the computer unusable).

**The following symptoms might indicate damage caused by non-warranted activities:**

- Missing parts may be a symptom of unauthorized service or modification.
- HDD spindles can become noisy if subjected to excessive force or by being dropped.
- I9990303 errors can be caused by exposure to strong magnetic fields.

---

## FRU replacement notices

This section contains notices for removal and replacement. Read this section carefully before replacing any FRU.

### LCD replacement notice

The TFT LCD for the computer contains many thin-film transistors (TFTs). A small number of missing, discolored, or lighted dots (on all the time) is characteristic of TFT LCD technology, but excessive pixel problems can cause viewing concerns. The LCD should be replaced if the number of missing, discolored, or lighted dots in any background is:

- XGA : 8 or more bright dots, 8 or more dark dots, or a total of 9 or more bright and dark dots.

### Screw notices

This computer uses special nylon-coated screws with the following characteristics:

- They maintain tight connections.
- They do not easily come loose, even with shock or vibration.
- They need additional force to tighten.
- They should be used only once.

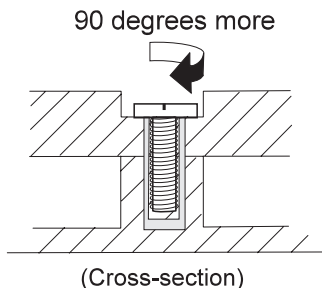
Do the following when you service this machine:

- Keep the screw kit (P/N 08K6560) in your tool bag.
- Always use new screws if you are instructed.
- Use a torque screwdriver if you have one.

Loose screws can cause a reliability problem. The IBM ThinkPad computer addresses this problem with nylon-coated screws. Tighten screws as follows:

- Plastic to plastic

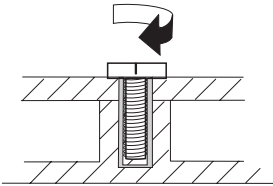
Turn an additional **90 degrees** after the screw head touches the surface of the plastic part:



- Logic card to plastic

Turn an additional **180 degrees** after the screw head touches the surface of the plastic part:

180 degrees more



(Cross-section)

- Torque driver

If you have a torque driver, refer to the "Torque" column with each step.

- Make sure you use the correct screw, and tighten all screws firmly to the torque shown in the table if you have a torque screwdriver. **Never use a screw that you removed. Use a new one. Make sure the screws are tightened firmly.**

## System board/LCD/Inverter replacement notice

### Restoring the LCD panel ID

The EEPROM on the inverter stores its supported LCD type ID code. If you replace a LCD with one of a different brand or use a new inverter, the ID information in the inverter EEPROM should be updated.

Follow the steps below to set the LCD panel ID:

1. Install the ThinkPad Maintenance Diskette and restart the computer.
2. When the IBM logo is displayed, press the "ESC" key few times until BIOS copyright and diagnostics screen appears.
3. Select **1. LCD Panel ID Utility** from the main menu.
4. Follow the instruction on screen to read current or to set new LCD Panel ID code.
5. Restart computer : the new LCD should work normally.

**Note:** When you set a new LCD Panel ID and the new LCD is not yet enabled (to function), so connect an external CRT to see the program execution process.

## **CAUTION:**

**Make sure the new ID code you choose corresponds with the LCD brand and type. If you write a wrong ID into inverter, just reboot and re-execute the program and input the correct ID code.**

**Note:** If LCD cannot display after change ID code, make sure you write the correct ID code, or try reseating the LCD coaxial cable connectors.

## **Thermal Sensor**

The system is equipped with sensors to protect against system overheating. By setting system and processor thermal thresholds, the system can turn on the cooling fan or shut down automatically when temperatures reach the defined threshold parameters.

System experiencing frequent auto sensor shutdown may need to reset the thermal sensor threshold and execute the fan test to ensure the normal operation of the cooling fan.

Follow the steps below to set thermal threshold:

1. Install the ThinkPad Maintenance Diskette and restart the computer.
2. When the IBM logo is displayed, press the "ESC" key few times until BIOS copyright and diagnostics screen appears.
3. Select **2. Thermal Sensor Utility** from the main menu.
4. Select **1. Read Thermal Setting** to view the original setting or **2. Set Default Thermal Setting** to restore the default setting.

## **Serial number of the system unit**

When the computer was manufactured, the EEPROM on the system board was loaded with the serial numbers of the system and all major components. These numbers need to remain the same throughout the life of the computer.

If you replace the system board, you must restore the serial number of the system unit to its original value.

Before replacing the system board, save the original serial number by doing the following:

1. Install the Maintenance Diskette and restart the computer.
2. When the IBM logo is displayed, press the "ESC" key few times until BIOS copyright and diagnostics screen appears.
3. Select **2.VPD Utility from the main menu.**

4. Follow the instruction on the screen to read original system serial number.

After you have replaced the system board, restore the serial number by doing the following:

1. Install the Maintenance Diskette and restart the computer.
2. When the IBM logo is displayed, press the "ESC" key few times until BIOS copyright and diagnostics screen appears.
3. Select **2.VPD Utility from the main menu.**
4. Follow the instruction on the screen to update the system serial number.

**Note:** The serial number of the system unit is written on the label attached on the bottom of the computer.

## UUID

The Universal Unique Identifier (UUID) is a 128-bit number uniquely assigned to your computer at production and stored in the EEPROM of your 24RF08. The algorithm that generates the unique number is designed to provide unique IDs until the year A.D. 3400. Consequently, no two computers in the world will have the same number.

When you replace the system board, you must set the UUID on the new system board as follows:

1. Install the ThinkPad Maintenance Diskette and restart the computer.
2. When the IBM logo is displayed, press the "ESC" key few times until BIOS copyright and diagnostics screen appears.
3. Select **3. UUID Data Utility** from the main menu then make a selection to read or create the UUID data.

A new UUID is created and written. If a valid UUID already exists, it is not overwritten.

---

## Related service information

This section provides information about the following:

- “Power button as reset switch”
- “Running a low-level format”
- “Service Web site”
- “Passwords”
- “Power management features” on page 28
- “Fn key combinations” on page 30
- “Product recovery program” on page 30
- “Flash BIOS” on page 33

### Power button as reset switch

The power button acts as a reset switch when pressed for more than 4 seconds. This resets the system (regardless of the microcode status) and forces the power off. Use this only when power is not completely off or the microcode is in a hung state.

### Running a low-level format

**Attention:** Make sure the drive address to be formatted is correct. This procedure erases all information on the disk.

To format the hard disk, select **Utility**, and then use the **Full Erase Hard Drive** or **Quick Erase Hard Drive** in Utility of the PC-Doctor for DOS program. Refer to “Testing the computer” on page 34.

### Service Web site

When the latest maintenance diskette and system program service diskette are available, they are posted on:

**Maintenance diskette:**

<http://www.pc.ibm.com/partner/infotips>

**System program service diskette:**

<http://www.pc.ibm.com/us/files.html> or

<http://www.pc.ibm.com/qtechinfo/TPAD-MATRIX.html>

### Passwords

When the power-on password (POP), hard disk password (HDP), and supervisor password (SVP) are used, the following situations may occur:

- **If the POP is the same as the HDP**, the POP prompt appears, but the HDP prompt does not appear.
- **If the POP is not the same as the HDP**, both prompts appear.



- **When SVP is set**, POST should invoke BIOS setup without erasing POP. Before entering BIOS setup SVP will be prompted. If correct SVP is entered, POST enters BIOS setup without erasing POP. To boot up the system user should override POP by SVP at the password sub-menu.
- **When SVP is not set**, POST erase the POP and then boots up the system.

## Power-on passwords

Power-on password is a security feature that is used to protect the system from unauthorized access. If power-on is forgotten, follow the procedure described in " Removing the Power-on password".

## Supervisor password

A supervisor password (SVP) protects the system information stored in the IBM BIOS Setup Utility . The SVP must be entered in order to access the IBM BIOS Setup Utility and make changes to system configuration settings.

**Attention:** If the SVP has been forgotten and cannot be made available to the servicer, there is no service procedure to reset the password. The system board must be replaced for a scheduled fee.

## Removing the power-on password

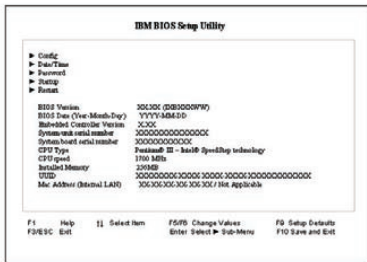
If the customer forgets the power-on password, follow this procedure to erase POP if SVP is not set:

1. Turn off the system.
2. Set DIP SW2, Bit 2 to ON.
3. Turn on the system, and confirm the system starts without prompting for Power-on password.
4. Turn off the system.
5. Set DIP SW2, Bit 2 to OFF.

If SVP is set, do the followings to erase POP:

1. Power on the computer and press **F1** to enter the BIOS Utility menu.
2. Enter correct SVP (Supervisor password) at the password prompt.

- The main screen displays as below:



- Using the up or down arrow key, select **Password**.
- Press the **Enter** key.  
The following submenu is displayed:
  - \* Power-On password
  - \* Supervisor password
  - \* Lock BIOS setting
  - \* Hard disk x password
- Select **Power-On password** and press **Enter** .
- Type in correct SVP at "**Enter Current Password**" and press **Enter**.
- Press **Enter** at "**Enter New Password**".
- Press **Enter** at "**Confirm New Password**".
- Press **Enter** in the Changes have been saved window.
- Press **F10**; then select **Yes** in the Setup confirmation window.

Refer to "Switch Locations" on page 100

## Hard disk password

The hard disk password is a security feature that is used to protect the hard disk data from unauthorized access.

**Attention:** If the hard disk password is forgotten, IBM does not provide any services to reset the hard drive password nor recover data from the hard drive. The hard drive can be replaced for a scheduled fee.

## Power management features

Power management modes are available in the computer system to reduce power consumption and to prolong battery life.

## Suspend mode

When in standby mode, the following occurs:

- The LCD backlight turns off.
- The hard disk motor either spins down or stops (controlled by OS).
- Suspend LED turns on.

Events that cause the computer to enter standby mode:

**Note:** These events depend on the **Power button, Sleep button and Lid** settings (options set to standby mode) in the "Advanced" page of the "Power Management Properties" screen.

- Standby requested by the Sleep button (Fn+F4)
- Standby requested by the power button
- Standby requested by closing the lid.

Events that cause the computer to exit standby mode:

- RTC alarm
- Power-on switch is operated
- Fn key is pressed
- The LCD is opened (if the system entered standby mode from closing the lid).

**Note:** This is true if **When I close the lid of my portable computer:** is set to **Standby** in the "Advanced" page of the "Power Management Properties" screen.

- An embedded modem signals the modem ring indicator
- The battery power is at a critical level.

## Display off mode

When in display off mode, the following occur:

- The LCD backlight turns off.

Events that cause the computer to enter display off mode:

- Hotkey : Fn+F3

Events that cause the computer to exit display off mode:

- Anykey or mouse operation

## Hibernation mode

When in hibernation mode, the following occurs:

- The system status, RAM, VRAM, and setup data are stored on the hard disk.
- The system is powered off.

Events that cause the computer to enter hibernation mode:

**Note:** These events depend on the **Power button, Sleep button and Lid** settings (options set to hibernate mode) in the "Advanced" page of the "Power Management Properties" screen.

- Hibernation requested by the Sleep button (Fn+F4) or (Fn+F12)
- Hibernation requested by the power button
- Hibernation requested by closing the lid.

Events that cause the computer to exit hibernation mode:

- RTC alarm
- Power-on switch is operated
- WOL (wake on Lan)

When power is turned on, the hibernation history in the boot record on the hard disk is recognized and the system status is restored from the hard disk to resume operation.

## Fn key combinations

The following table shows the Fn key and function key combinations and their corresponding functions. Some of the keys do not work if proper device drivers and utilities are not installed.

Fn key	Function
Fn+F3	Display off
Fn+F4	Sleep button
Fn+F7	Switch display output location.
Fn+F8	Display expansion
Fn+F12	Hibernation
Fn+PageUp	Thinkpad light
Fn+Home	Brightness up
Fn+End	Brightness down

## Product recovery program

### Restoring the Pre-installed Software

To restore the pre-installed software, you can use either the Product Recovery program or a Recovery CD. The Product Recovery program is in a section of the hard disk drive (the Service Partition) that is not displayed by Windows Explorer. Use the Recovery CD if it was provided with the computer.

**Note:** The recovery process might take up to 2 hours.

**To use the Product Recovery program to restore the pre-installed software, do the following:**

1. Save all files and shut down the desktop.
2. Turn off the computer.
3. Turn on the computer. Quickly press **F11** when this message is displayed on the screen: ...**"To start the Product Recovery program, press F11"** .....This message is displayed for only a few seconds.

**Note:** If this message does not appear, you can use a Recovery Repair diskette to get access to the Product Recovery program.(see“Creating a Recovery Repair diskette” on page 32 for instructions for making the Recovery Repair diskette)

4. From the list displayed on the screen, select the operating system you want to recover.
5. Select the recovery options you want, and follow the instructions on the screen.

## Creating the Service Partition

To create Service Partition and install the preloaded system from Recovery CD, do the following;

### To create Service Partition [SP]:

1. Erase all partitions on the hard-disk drive using FDISK or similar application.
2. Boot with Recovery CD (and boot diskette if required).
3. A menu will appear stating **"Your computer originally included a Product Recovery program ... Reinstall the Product Recovery Program? (Y/N) [ ]"**.

**Note:** If the hard-disk drive contains any partitions, you will not receive this menu - go to step 1.

4. Enter **"Y"** and Service Partition will be created and loaded with D2D files.

**Note:** If you do not want to create Service Partition, press **"N"** , and the d then go to step 8.

5. Press **"Enter"** at next window to continue.

\* Service Partition will be created. System will automatically reboot during this process.

\* Recovery process will copy some files to the Service Partition, PKUNZIP others

\* Follow prompts - you may be prompted to change CDs.

\* System will reboot when complete, continue to step 6 to install preloaded system.

### Install preloaded system from CD:

6. Boot with Recovery CD (and boot diskette if required)

7. If the hard-disk drive is blank, a menu will appear stating "**Your computer originally included a Product Recovery program ... Reinstall the Product Recovery Program? (Y/N) [ ]**".
  - \* To install Service Partition, go to step 4.
  - \* To preload hard-disk drive without installing Service Partition, press "N".
8. If a menu appears asking which operating system to install, highlight proper operating system and press "**ENTER**".
9. A menu will appear stating "Full Recovery:". Press "**ENTER**" to select.
10. Enter "Y" at the three windows which follow.
11. Follow prompts to complete Recovery.

### **Creating a Recovery Repair diskette**

The Recovery Repair diskette is used to recover the prompt that is needed to access the Product Recovery program, if the prompt does not appear. Make a Recovery Repair diskette and save it for future use.

To make a Recovery Repair diskette:

1. Shut down and turn off the computer.
2. Attach the external diskette drive to the computer.
3. At the prompt, press **F11**. (The option to press **F11** appears for only a few seconds. You must press **F11** quickly.) The Product Recovery program main menu appears.
4. If you are using Windows 2000 Professional, you will be prompted to select the appropriate operating system setting. This menu does not appear for Windows 98 SE.
5. Select System Utilities from the main menu. Press **Enter**.
6. Select Create a Recovery Repair diskette. Press **Enter**.
7. Follow the on-screen instructions.
8. When the process is completed, label the diskette as the Recovery Repair diskette and save it for future use.

### **To use the Recovery Repair diskette:**

1. Shut down and turn off the computer.
2. Attach the external diskette drive to the computer.
3. Insert the Recovery Repair diskette into the drive; then turn on the computer.
4. Follow the on-screen instructions.

## Flash BIOS

Please do the following to update BIOS.

To update BIOS:

1. Prepare the System Program Service Diskette (SPSD)  
Save **1MUDXXUS.DSK** file to **C:\SPSD**

**Note:** **XX** represents for the version of BIOS.

2. Boot the computer with SPSD.
  - a. Insert the created floppy diskette into floppy diskette drive before you turn on the computer.
  - b. Press the power button.
3. Follow the on-screen instructions after booting.

---

## Checkout guide

Use the following procedure as a guide for computer problems.

**Note:** The diagnostic tests are intended to test only IBM products. Non-IBM products, prototype cards, or modified options can give false errors and invalid system responses.

1. Obtain the failing symptoms in as much detail as possible.
2. Verify the symptoms by attempting to recreate the failure by running the diagnostic test or by repeating the same operation.

## Testing the computer

The ThinkPad computer has a test program called PC-Doctor DOS (hereafter called *PC-Doctor*). You can detect errors by running the diagnostics test of PC-Doctor. This section is an overview on detecting the problem. Refer to “Product overview” on page 56 for details that depend on model-unique functions.

To run the test, do the following:

**Note:** In the following procedure, you can select an item not only with the arrow keys, but also with the TrackPoint. Instead of pressing **Enter**, you also can click the left click button.

1. Insert the PC-Doctor DOS Disk #1 into the diskette drive; then power on the computer.

If the computer cannot be powered on, go to “Power systems checkout” on page 36 and check the power sources.

If an error code appears, go to “Symptom-to-FRU Index” on page 39.

Remove Disk #1 and Insert PC-Doctor DOS Disk #2 into the diskette drive when prompted to do so.

The PC-Doctor main panel appears.

2. Select **Diagnostics** with the arrow keys, and press **Enter**.

A pull-down menu appears:

**Note:** The pull-down menu differs depending on the model.

3. Run the applicable function test.
4. Follow the instructions on the screen. If there is a problem, PC-Doctor shows some messages.



5. Reseat the cable or connector of the detected FRU and run the test again.

If the error recurs, replace the FRU that caused the error.

**Note:** With some FRUs, especially the system board, the problem may be caused by peripheral FRUs. Verify that each peripheral FRU, such as the flexible cable, has no problem by doing the following:

- a. Replace each peripheral FRU one at a time, and run the test again.
- b. If the peripheral FRUs have no problem, replace the main FRU itself.

To see the FRU structure of each model, refer to “Product overview” on page 56.

6. To exit the test, select **Quit – Exit Diag**.

To cancel the test, press **Esc**.

The following table lists the options on the test menu.

Diagnostics	Interactive Tests
<ul style="list-style-type: none"> <li>• Run Normal Test</li> <li>• Run Quick Test</li> <li>• CPU/Coprocessor</li> <li>• Systemboard</li> <li>• Video Adapter</li> <li>• Serial Port</li> <li>• Parallel Port</li> <li>• Fixed Disks</li> <li>• Diskette Drives</li> <li>• Other Devices</li> <li>• Wireless network controller (802.11b)</li> <li>• Memory Test – Full</li> <li>• Memory Test – Quick</li> <li>• Audio Test</li> </ul>	<ul style="list-style-type: none"> <li>• Keyboard</li> <li>• Video</li> <li>• Internal Speaker</li> <li>• Mouse</li> <li>• Joystick Test</li> <li>• Diskette Test</li> <li>• System Load</li> <li>• CD-ROM/DVD</li> <li>• Stereo Speaker</li> </ul>
<p><b>Note:</b> In <b>Keyboard</b> test within <b>Interactive Tests</b>, the <b>Fn</b> key is scanned only once. Each key should be pressed for at least 2 seconds; otherwise, it cannot be sensed.</p>	

## Related service information

PC-Doctor can detect the following system information:

### Hardware Info:

- System Configuration
- Memory Contents

- Physical Disk Drive
- Logical Disk Drive
- VGA Information
- IDE Drive Information
- PCI Information
- PNPISA Information
- SMBIOS Information
- FRU Information
- VESA LCD Information

### **Utility:**

- Run External Tests
- Surface Scan Hard Disk
- Benchmark System
- DOS Shell
- Tech Support Form
- Battery Rundown
- View Test Log
- Print Log
- Save Log
- Full Erase Hard Drive
- Quick Erase Hard Drive

## **Power systems checkout**

To verify the symptom of the power problem on the computer, do the following:

1. Power off the computer.
2. Remove the battery pack.
3. Connect the AC Adapter.
4. Check that power is supplied when you power on the computer.
5. Power off the computer.
6. Disconnect the AC Adapter and install the charged battery pack.
7. Check that power is supplied by the battery pack when you power on the computer.

If you suspect a power problem, refer the appropriate power supply check listed below:

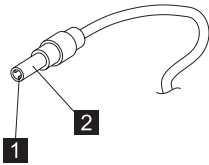
- “Checking the AC Adapter” on page 37
- “Checking operational charging” on page 37
- “Checking the Battery ASM” on page 38

## Checking the AC Adapter

You care here because the computer fails only when the AC Adapter is used:

- If the power-on indicator does not turn on, check the power cord of the AC Adapter for correct continuity and installation.
- If the operational charge does not work, go to “Checking operational charging”.

Unplug the AC Adapter cable from the computer and measure the output voltage at the plug of the AC Adapter cable. See the following figure:



Pin	Voltage (V dc)
1	15.5 V. - 17.0 V.
2	Ground

If the voltage is not correct, replace the AC Adapter.

If the voltage is within the range, do the following:

- Replace the system board.
- If the problems still persist, go to “Undetermined Problems” on page 54.

**Note:** An audible noise from the AC Adapter does not always indicate a defect.

## Checking operational charging

To check operational charging, use a discharged battery pack (Battery ASM) or a Battery ASM that has less than 50% of the total power remaining when installed in the computer.

Perform operational charging. If the battery status indicator or icon does not turn on, remove the Battery ASM and let it return to room temperature. Reinstall the Battery ASM. If the charge indicator or icon still does not turn on, replace the Battery ASM.

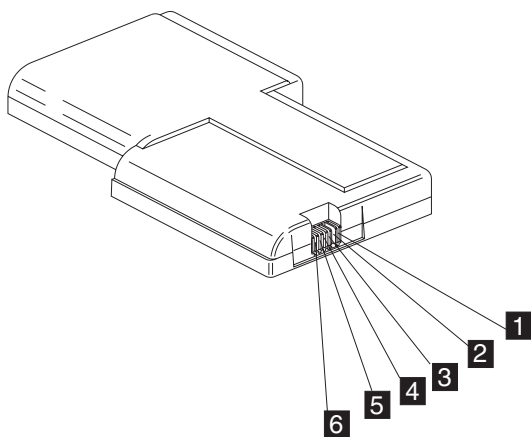
If the charge indicator still does not turn on, replace the system board. Then reinstall the Battery ASM. If the reinstalled Battery ASM is not charged, go to the next section.

## Checking the Battery ASM

**Note:** The Battery ASM may not be able to charged when it is hot. In that case, remove it from the computer and leave it at room temperature for a while. After it cools down, reinstall it and recharge it.

Do the following:

1. Power off the computer.
2. Remove the battery pack and measure the voltage between battery terminals 1 (+) and 6 (-). See the following figure.



Terminal	Pin No.	Description
1	1	+0 to +16.8 V
2	2	Isolation slit
5	4	Thermistor
6	5	Battery –

**Note:** Signal lines, not used in these steps, are used for communications between the system and the battery.

3. If the voltage is less than +14.4 V dc, the battery pack has been discharged. Note: Recharging will take at least 3 hours, even if the indicator does not turn on. If the voltage is still less than +14.4 V dc after recharging, replace the battery.
4. If the voltage is more than 9V for LiION, measure the resistance between battery terminals 5 and 6. The resistance must be 4 to 30K $\Omega$ . If the resistance is not correct, replace the Battery ASM. If the resistance is correct, replace the system board.

---

## Symptom-to-FRU Index

The Symptom-to-FRU Index lists the symptoms and errors and the possible causes. The most likely cause is listed first.

**Note:** Perform the FRU replacement or actions in the sequence shown in the FRU/Action columns. If a FRU does not solve the problem, put the original part back in the computer. Do not replace a non-defective FRU.

This index can also be used to help you decide which FRUs should be available when servicing a computer.

Numeric error codes show the errors detected in POST or system operation (runtime). In the following error codes, X can be any number.

If no codes are available, use narrative symptoms.

If the symptom, is not listed, go to “Undetermined Problems” on page 54.

**Note:** For any IBM device not supported by the diagnostic codes in this ThinkPad computer, see the manual for that device.

## Numeric Error Codes and Messages

Error Code	Message	Meanings	Comment or Action
0176	System Security-The system has been tampered with	Security chip was removed and attached again.	1. Run IBM BIOS Setup Utility, and then save current setting by pressing F10.  2. System Board.
0191	System Security-Invalid remote change requested	Bad system configuration change request detected.	1. Run IBM BIOS Setup Utility, and then save current setting by pressing F10.  2. System Board.

<b>Error Code</b>	<b>Message</b>	<b>Meanings</b>	<b>Comment or Action</b>
0192	System Security-IBM Embedded Security hardware tamper detected.	Security chip ID matching failed.	System Board
0197	Invalid Remote Change Requested	Reported when the CRC of request packet in EEPROM Block #7 is wrong.	Recovery-Users need to send the system back to the service centers.
0199	System Security-IBM Security password retry count exceeded	System administrator password retry expired (if failed 3 times)	1. Run IBM BIOS Setup Utility, and then save current setting by pressing F10.  2. System Board.
0200	Failure Fixed Disk	Fixed disk is not working or not configured properly.	Check to see if fixed disk is attached properly. Run setup. Find out if the fixed-disk type is correctly identified.
0210	Stuck key	Stuck key on keyboard.	Run interactive tests of the keyboard and the auxiliary input devices.
0211	Keyboard error	Keyboard not working.	Run interactive tests of the keyboard and the auxiliary input devices.
0212	Keyboard Controller Failed	Keyboard Controller Failed test. May require replacing keyboard controller.	Run interactive tests of the keyboard and the auxiliary input devices.
0213	Keyboard locked Unlock key switch	Unlock the system to proceed.	Run interactive tests of the keyboard and the auxiliary input devices.

<b>Error Code</b>	<b>Message</b>	<b>Meanings</b>	<b>Comment or Action</b>
0220	Monitor type does not match CMOS Run SETUP	Monitor type not correctly identified is Setup.	Load Setup Defaults in IBM BIOS Setup Utility.
0230	Shadow RAM failed at offset : nnnn	Shadow RAM failed at offset nnnn of the 64k block at which the error was detected.	System Board
0231	System RAM failed at offset : nnnn	System RAM failed at offset nnnn of in the 64k block at which the error was detected.	1. DIMM 2. System Board
0232	Extended RAM Failed at offset : nnnn	Extended memory not working or not configured properly at offset nnnn,	1. DIMM 2. System Board
0250	System battery is dead Replace and run SETUP	The CMOS clock battery indicator shows the battery is dead. Replace the battery and run Setup to reconfigure the system.	Replace the backup battery and run IBM BIOS Setup Utility to reset the time and date.
0251	System CMOS checksum bad-default configuration	System CMOS has been corrupted or modified incorrectly, perhaps by an application program that changes data stored in CMOS. The BIOS installed Default Setup Values. If you do not want these values, enter Setup and enter your own values. If the error persists, check the system battery or contact your dealer.	Replace the backup battery and run IBM BIOS Setup Utility to reset the time and date.
*0260	System timer error	The timer test failed. Requires repair of system board.	1. Replace the backup battery and run IBM BIOS Setup Utility to reset the time and date.  2. System Board

<b>Error Code</b>	<b>Message</b>	<b>Meanings</b>	<b>Comment or Action</b>
0270	Real time clock error	Real-Time Clock fails BIOS hardware test. May require board repair.	1. Replace the backup battery and run IBM BIOS Setup Utility to reset the time and date.  2. System Board
0271	Check date and time settings	BIOS found date or time out of range and reset the Real-Time Clock. May require setting legal date (1991–2099).	Run IBM BIOS Setup Utility to reset the time and date.
0280	Previous boot incomplete-Default configuration used	Previous POST did not complete successfully. POST loads default values and offers to run Setup. If the failure was caused by incorrect values and they are not corrected, the next boot will likely fail. On system with control of wait states, improper Setup settings can also terminate POST and cause this error on the next boot. Run Setup and verify that wait-state configuration is correct. This error is cleared the next time the system is booted.	IBM customized not to display this message.
0281	Memory Size found by POST differed from CMOS	Memory size found by POST differed from CMOS.	Load "Setup Default" in IBM BIOS Setup Utility.
02B0	Diskette drive A error Diskette drive B error	Drive A: or B: is present but fails the BIOS POST diskette tests. Check to see that the drive is defined with the proper diskette type in Setup and that the diskette drive is attached correctly.	Load "Setup Default" in IBM BIOS Setup Utility.



<b>Error Code</b>	<b>Message</b>	<b>Meanings</b>	<b>Comment or Action</b>
02B2	Incorrect Drive A type — run SETUP	Type of floppy drive A: not correctly identified in Setup	Diskette Drive
02B3	Incorrect Drive B type — run SETUP	Type of floppy drive B: not correctly identified in Setup	Diskette Drive
02D0	System cache error- Cache disabled	RAM cache failed and BIOS disabled the cache. On older boards, check the cache jumpers. You may have to replace that cache. See your dealer. A disabled cache slows system performance considerably.	System Board
02F0:	CPU ID:	CPU socket number for Multi-Processor error.	
02F4:	EISA CMOS not writeable	ServerBIOS2 test error: Cannot write to EISA CMOS.	<ol style="list-style-type: none"> <li>1. Load Setup Defaults in IBM BIOS Setup Utility.</li> <li>2. Replace the backup battery</li> <li>3. System Board</li> </ol>
02F5:	DMA Test Failed	ServerBIOS2 test error: Cannot write to extended DMA (Direct Memory Access) registers.	<ol style="list-style-type: none"> <li>1. DIMM</li> <li>2. System Board</li> </ol>
02F6:	Software NMI Failed	ServerBIOS2 test error: Cannot generate software NMI(Non-Maskable Interrupt).	<ol style="list-style-type: none"> <li>1. DIMM</li> <li>2. System Board</li> </ol>
02F7:	Fail-Safe Timer NMI Failed	ServerBIOS2 test error: Fail-Safe Timer takers too long.	<ol style="list-style-type: none"> <li>1. DIMM</li> <li>2. System Board</li> </ol>
	device Address Conflict	Address conflict for specified device.	<ol style="list-style-type: none"> <li>1. Load Setup Defaults in IBM BIOS Setup Utility.</li> <li>2. Backup battery</li> <li>3. System Board</li> </ol>

<b>Error Code</b>	<b>Message</b>	<b>Meanings</b>	<b>Comment or Action</b>
	Allocation Error for: device	Run ISA or EISA configuration Utility to resolve resource conflict for the specified device.	<ol style="list-style-type: none"> <li>1. Load Setup Defaults in IBM BIOS Setup Utility.</li> <li>2. Backup battery</li> <li>3. System Board</li> </ol>
	CD ROM Drive	CD ROM Drive identified.	
	Entering SETUP	Starting Setup program	
	Failing Bits: nnnn	The hex number nnnn is a map of the bits at the RAM address which failed the memory test. Each 1 (one) in the map indicates a failed bit. See errors 230, 231, or 232 above for offset address of the failure in System, Extended, or Shadow memory.	<ol style="list-style-type: none"> <li>1. DIMM</li> <li>2. System Board</li> </ol>
	Fixed Disk n	Fixed disk n (0–3) identified.	
	Invalid System Configuration Data	Problem with NVRAM (CMOS) data.	<ol style="list-style-type: none"> <li>1. DIMM</li> <li>2. System Board</li> </ol>
	I/O device IRQ conflict	I/O device IRQ conflict error.	<ol style="list-style-type: none"> <li>1. Load Setup Defaults in IBM BIOS Setup Utility.</li> <li>2. Backup battery</li> <li>3. System Board</li> </ol>
	PS/2 Mouse Boot Summary Screen:	PS/2 Mouse installed	
	nnnn kB Extended RAM Passed	Where nnnn is the amount of RAM in kilobytes successfully tested.	
	nnnn Cache SRAM Passed	Where nnnn is the amount of system cache in kilobytes successfully tested.	

Error Code	Message	Meanings	Comment or Action
	nnnn kB Shadow RAM Passed	Where nnnn is the amount of shadow RAM in kilobytes successfully tested.	
	nnnn kB System RAM Passed	Where nnnn is the amount of system RAM in kilobytes successfully tested.	
	One or more I2O Block Storage Devices were excluded from the Setup Boot Menu	There was not enough room in the IPL table to display all installed I2O block-storage devices.	
	Operating system not found	Operating system cannot be located on either drive A: or drive C:. Enter Setup and see if fixed disk and drive A: are properly identified.	<ol style="list-style-type: none"> <li>1. Check that the operating system has no failure and is installed correctly.</li> <li>2. Enter the IBM BIOS Setup Utility and see whether the hard-disk drive and the diskette drive are properly identified.</li> <li>3. Reseat the hard-disk drive.</li> <li>4. Reinstall the operating system.</li> <li>5. Diskette drive.</li> <li>6. Hard-disk drive.</li> <li>7. System board.</li> </ol>

<b>Error Code</b>	<b>Message</b>	<b>Meanings</b>	<b>Comment or Action</b>
	Parity Check 1 nnnn	Parity error found in the system bus. BIOS attempts to locate the address and display it on the screen. If it cannot locate the address, it displays ????. Parity is a method for checking errors in binary data. A parity error indicates that some data has been corrupted.	
	Parity Check 2 nnnn	Parity error found in the I/O bus. BIOS attempts to locate the address and display it on the screen. If it cannot locate the address, it displays ????.	
	PS/2 Mouse:	PS/2 mouse identified.	
	System BIOS shadowed	System BIOS copied to shadow RAM.	
	UMB upper limit segment address: nnnn	Displays the address nnnn of the upper limit of Upper Memory Blocks, indicating released segments of the BIOS which can be reclaimed by a virtual memory manager.	
	Video BIOS shadowed	Video BIOS successfully copied to shadow RAM	
0175	Bad CRC1, stop POST task	EEPROM CRC1 is not correct (block #6).	Replace planar.
0187	EAlA data access error	EEPROM access (read or write) is failed.	System Board
0188	Invalid RFID Serialization Information Area or Bad CRC2	EEPROM checksum is not correct (block #0,1).EEPROM CRC2 is not correct (block #6).	Replace planar. Box serial number needs to be reinstalled.
0189	Invalid RFID Configuration Information Area	EEPROM checksum is not correct (block #4,5).	Replace planar. UUID needs to be reinstalled.

<b>Error Code</b>	<b>Message</b>	<b>Meanings</b>	<b>Comment or Action</b>
0190	Critical low-battery error	Critical Low Battery.	Charge the Battery Pack.
0193	RF antenna had been removed	RFID antenna has been removed, which was once installed.	RFID model only.
0194	The computer is carried through the security gate	The computer is carried through the security gate (portal gate).	RFID model only.
1801	Unsupported docking station is attached - Power off and remove the docking station	Attached docking station is not supported by the product.	
	Fan error	Cooling fan is failing.	FAN
	Do you want abort resume from hibernation? (Y/N)System memory removed, press F3 to power off system and restore memory chip, press F4 to normal boot	DIMM is removed during hibernation state.	1. Restore the system configuration to what it was before the computer entered hibernation mode.  2. If the memory size has been changed, re-create the hibernation file.
	Docking station is removed or its ID is different,press F3 to power off system and restore correctdocking station, press F4 to normal boot.	Undocked during hibernation state, or docked to another docking station during hibernation state.	No error appears when; undock -> hibernation -> dock -> wakeup. The docking is configured by OS.

## Beep Symptoms

<b>ID</b>	<b>Usage</b>	<b>Description</b>
0	Reserved	stop
1	Critical low battery alarm	pi (1250Hz) for 500ms po (315Hz) for 500ms pi for 500ms po for 500ms pi for 500ms po for 500ms

<b>ID</b>	<b>Usage</b>	<b>Description</b>
2	Low battery alarm (yellow—> Red)	pi (1250Hz) for 125ms no sound for 125ms pi (1250Hz) for 125ms
3	Suspend beep	pi (1250Hz) for 125ms
4	Partial suspend beep	pi (1250Hz) for 250ms po (315Hz) for 250ms
5	Resume beep	pi (1250Hz) for 125ms
6	DC in/ out beep	pi (1760Hz) for 125ms pi (1400Hz) for 125ms

7	Power off beep	pi (1760Hz) for 250ms
8	Power off alarm	pi (1760Hz) for 125ms no sound for 125ms  pi (1760Hz) for 125ms
9	No HDD alarm	pi (1760Hz) for 125ms no sound for 125ms  pi (1760Hz) for 125ms no sound for 125ms  pi (1760Hz) for 125ms
10	Dead	pi (1760Hz) for 4000ms
11	880Hz beep	pu (880Hz) for 125ms
12	315Hz beep	po (315Hz) for 125ms
13	Two 315Hz beep	po (315Hz) for 125ms no sound for 125ms  po (315Hz) for 125ms
14	Three 315Hz beep	po (315Hz) for 125ms no sound for 125ms  po (315Hz) for 125ms no sound for 125ms  po (315Hz) for 125ms
15	Bay alarm	pi (1760Hz) for 125ms no sound for 125ms  pi (1760Hz) for 125ms no sound for 125ms  pi (1760Hz) for 125ms

## LCD-Related Symptoms

### LCD FRU Replacement Notice

The TFT LCD for the computer contains many thin-film transistors (TFTs). A small number of missing, discolored, or lighted dots (on all the time) is characteristic of TFT LCD technology, but excessive pixel problems can cause viewing concerns. The LCD should be replaced if the number of missing, discolored, or lighted dots in any background is:

- XGA : 8 or more bright dots, 8 or more dark dots, or a total of 9 or more bright and dark dots.

Symptom/Error	FRU/Action in Sequence
<p>LCD backlight does not work.</p> <p>LCD is too dark.</p> <p>LCD brightness cannot be adjusted.</p>	<ul style="list-style-type: none"> <li>• Keyboard (if contrast and brightness function keys do not work)</li> <li>• Reseat LCD connector</li> <li>• Check LCD inverter ID</li> <li>• LCD Cable ASM</li> <li>• LCD Inverter/LED board (13.3"/14.1")</li> <li>• LCD</li> <li>• System board</li> </ul>
<p>Unreadable LCD screen.</p> <p>Missing pixels in characters.</p> <p>Abnormal screen</p> <p>Wrong color displayed.</p>	<ul style="list-style-type: none"> <li>• Reseat LCD connector</li> <li>• Check LCD inverter ID</li> <li>• LCD Cable ASM</li> <li>• LCD Inverter/LED board (13.3"/14.1")</li> <li>• LCD</li> <li>• System board</li> </ul>
<p>LCD has extra horizontal or vertical lines displayed.</p>	<ul style="list-style-type: none"> <li>• Check LCD inverter ID</li> <li>• LCD Cable ASM</li> <li>• LCD Inverter/LED board (13.3"/14.1")</li> <li>• LCD</li> <li>• System board</li> </ul>

## Keyboard/TrackPoint-Related Symptoms

Symptom/Error	FRU/Action in Sequence
Keyboard (one or more keys) doesn't work.	<ul style="list-style-type: none"> <li>• Go to "FRU tests" on page 60.</li> <li>• Reseat keyboard cable.</li> <li>• Keyboard</li> <li>• System board</li> </ul>
TrackPoint does not work.	<ul style="list-style-type: none"> <li>• Go to "FRU tests" on page 60.</li> <li>• Reseat keyboard cable.</li> <li>• Keyboard</li> <li>• System board</li> </ul>

## Indicator-Related Symptoms

Symptom/Error	FRU/Action in Sequence
Indicator incorrectly remains off or on, but system runs correctly.	<ul style="list-style-type: none"> <li>• Reseat Inverter/LED board (13.3"/14.1")</li> <li>• Inverter/LED board (13.3"/14.1")</li> <li>• System board</li> <li>• Coaxial cable</li> </ul>

## Power-Related Symptoms

Symptom/Error	FRU/Action in Sequence
Power shuts down during operation.	<ul style="list-style-type: none"> <li>• Go to "Power systems checkout" on page 36.</li> <li>• AC Adapter</li> <li>• Battery assembly</li> <li>• Keyboard</li> <li>• System board</li> </ul>
The system doesn't power on.	<ul style="list-style-type: none"> <li>• Go to "Power systems checkout" on page 36.</li> <li>• AC Adapter</li> <li>• Battery assembly</li> <li>• Keyboard</li> <li>• System board</li> </ul>
The system doesn't power off.	<ul style="list-style-type: none"> <li>• Go to "Power systems checkout" on page 36.</li> <li>• Hold and press the power switch for more than 4 seconds.</li> <li>• Keyboard</li> <li>• System board</li> </ul>



Symptom/Error	FRU/Action in Sequence
Battery can't be charged.	<ul style="list-style-type: none"> <li>• Go to "Power systems checkout" on page 36.</li> <li>• Battery assembly</li> <li>• System board</li> </ul>

## Memory-Related Symptom

Symptom/Error	FRU/Action in Sequence
Memory count (size) appears different from the actual size.	<ul style="list-style-type: none"> <li>• Go to "FRU tests" on page 60.</li> <li>• Enter BIOS Utility and execute "Load Setup Default Settings"; then reboot the system.</li> <li>• DIMM</li> <li>• System board</li> </ul>

## Audio-Related Symptoms

Symptom/Error	FRU/Action in Sequence
Internal speakers make noise or emit no sound.	<ul style="list-style-type: none"> <li>• Speaker volume control</li> <li>• Go to "FRU tests" on page 60.</li> <li>• Speaker(s)</li> </ul>
External speakers make noise or emit no sound.	<ul style="list-style-type: none"> <li>• Speaker volume control</li> <li>• Go to "FRU tests" on page 60.</li> <li>• Speaker(s)</li> </ul>
In DOS or Windows, multimedia programs, no sound comes from the computer. (Only system beeps are heard at power-on.)	<ul style="list-style-type: none"> <li>• Speaker volume control</li> <li>• Go to "FRU tests" on page 60.</li> <li>• Speaker(s)</li> </ul>

## PC Card (PCMCIA)-Related Symptoms

Symptom/Error	FRU/Action in Sequence
System cannot detect the PC Card (PCMCIA)	<ul style="list-style-type: none"> <li>• PC Card (PCMCIA) holder assembly</li> <li>• System board</li> </ul>
PCMCIA slot pin is damaged.	PC Card (PCMCIA) holder assembly

## Power Management-Related Symptoms

Symptom/Error	FRU/Action in Sequence
The system doesn't enter hibernation mode.	<ul style="list-style-type: none"> <li>Go to "Hibernation mode" on page 29.</li> <li>Boot an operating system and press <b>Fn+F12</b> and see if the computer enters hibernation mode.</li> <li>Keyboard</li> <li>Hard disk drive connector</li> <li>Hard disk drive</li> <li>System board</li> </ul>
The system doesn't resume from hibernation mode.	<ul style="list-style-type: none"> <li>Go to "Hibernation mode" on page 29.</li> <li>Hard disk drive connector</li> <li>Hard disk drive</li> <li>System board</li> </ul>
The system doesn't enter into or resume from sleep mode after closing the LCD.	<ul style="list-style-type: none"> <li>Lid switch</li> <li>System board</li> <li>Lid close action in the power operation properties of the OS</li> </ul>
System configuration does not match the installed devices.	<ul style="list-style-type: none"> <li>Enter BIOS Utility and execute "Load Setup Default Settings"; then reboot the system.</li> <li>Reseat Hard disk/diskette/CD-ROM drive connector.</li> </ul>
System hangs intermittently.	<ul style="list-style-type: none"> <li>Reseat hard disk/diskette/CD-ROM drive connector.</li> <li>Fan ASM (go to "FRU tests" on page 60).</li> <li>System board</li> </ul>

## Peripheral-Device-Related Symptoms

Symptom/Error	FRU/Action in Sequence
External display does not work correctly.	<ul style="list-style-type: none"> <li>Both display mode, press Fn+F7.</li> <li>System board</li> </ul>
Printer problems.	<ul style="list-style-type: none"> <li>Run printer self-test.</li> <li>Printer driver</li> <li>Printer cable</li> <li>Ensure that "Parallel Port" in the "Config sub-menu" menu of the BIOS Utility is correctly set.</li> <li>System board</li> </ul>

Symptom/Error	FRU/Action in Sequence
Parallel port device problems.	<ul style="list-style-type: none"> <li>• Device driver</li> <li>• Device cable</li> <li>• Device</li> <li>• Ensure that "Parallel Port" in the "Config sub-menu" menu of the BIOS Utility is correctly set.</li> <li>• System board</li> </ul>

## Modem-Related Symptom

Symptom/Error	FRU/Action in Sequence
Internal modem does not work correctly	<ul style="list-style-type: none"> <li>• Go to "FRU tests" on page 60.</li> <li>• Modem connector</li> <li>• Modem board</li> <li>• System board</li> </ul>

## Operating System-Related Symptom

Symptom/Error	FRU/Action in Sequence
Operating system not found	<ul style="list-style-type: none"> <li>• Check that the operating system has no failure and is installed correctly.</li> <li>• Check the Boot device list in the startup/Boot sub-menu is enabled on each bootable device.</li> <li>• Enter IBM BIOS Setup Utility and see whether the hard disk drive and the diskette drive are properly identified.</li> <li>• Reseat the hard disk drive.</li> <li>• Reinstall the operating system.</li> <li>• Diskette drive</li> <li>• Hard disk drive</li> <li>• System board</li> </ul>

## Intermittent Problems

Intermittent system hang problems can be caused by a variety of reasons that have nothing to do with a hardware defect, such as cosmic radiation, electronic discharge, or software errors. FRU replacement should only be considered when a recurring problem exists.

When analyzing on intermittent problem, do the following:

1. Run the diagnostic test for the system board at least 10 times.
2. If no error is detected, do not replace any FRUs.
3. If any error is detected, replace the FRU. Rerun the test to verify that there are no more errors.

## Undetermined Problems

The diagnostic tests did not identify which adapter or device failed, which installed devices are incorrect, whether a short circuit is suspected, or whether the system is inoperative. Follow the procedures below to isolate the failing FRU.

Verify that the power supply being used at the time of the failure is operating correctly.

1. Power off the computer.
2. Check the cables, wires, and connectors for short circuits and open circuits. Visually check them for damage. If any problems are found, replace the FRU.
3. Remove or disconnect all of the following devices:
  - Non-IBM devices
  - Printer, external mouse & keyboard, and other external devices
  - Battery pack
  - Hard disk drive
  - CD-ROM drive/Diskette drive (optional)
  - PC Card (PCMCIA)
4. Power on the computer.
5. Determine if the problem has changed.
6. If the problem does not occur again, reconnect the removed devices one at a time until you find the failing FRU.
7. If the problem remains, replace the following FRUs one at a time. Do not replace a non-defective FRU.
  - Hard disk drive connection board
  - LCD assembly
  - System board

---

## ThinkPad R32 Series Part I

This section applies to the following models: 2658–F2X, 2658–DBX, 2658–DDX, 2658–DEX, 2658–DSX, 2658–DTX, 2658–G4X, 2658–G5X, 2658–G6X, 2658–G7X, 2658–G8X, 2658–G9X, 2658–GAX, 2658–GBX, 2658–GCX, 2658–GDX, 2658–GEX, 2658–GFX, 2658–GGX, 2658–GHX, 2658–GJX, 2658–GKX, 2658–GLX.

## Product overview

The following shows an overview of the system features.

Feature	Description
Processor	Intel Pentium-4M–1.6GHz/1.7GHz/ 1.8GHz Intel
Chip set	Intel Brookdale (845MP)
Bus architecture	Host bus 64 bits 266 MHz, PCI 32 bits/33 MHz, ISA 16 bits/8.33MHz, PCMCIA 16 bits/33 MHz, Cardbus 32 bits/32 MHz
System memory	Two DDR DIMM Slots support 128MB, 256MB, and 512MB DIMM card, up to Max. 1GB  Maximum frequency: PC 266 MHz  Maximum size: 1024 MB
CMOS RAM	256 bytes
Video	ATI M6C graphics integrated V-RAM chip (8MB/16MB)  14.1– inch, 32 bit true colors, 1024X768 pixel TFT XGA color LCD
Video memory	8/16MB V-RAM in video chip
LCD(Bright Ctrl)	13.3" TFT (XGA)/ 14.1" TFT (XGA) (KBD)
Audio	AC97 audio based on the Intel ICH3 AC link DMA engine  16– bit audio  Internal stereo speakers
Floppy Diskette drive (By model)	USB FDD External 1.44MB, 3.5 inch floppy drive via USB interface (Bootable)
Hard disk drive- Upgradable	20GB, 30GB or 40GB, 2.5–inch 9.5mm height, E-IDE interface
Ultrabay Plus	24X CD/ 8X DVD/ 8X, 4X, 24X Max CD-RW/ CD-RW- DVD (Combo)/ Bay Battery support, NEATS
Modem	V.90 Soft modem (MDC or Livingstone modem) Integrated CDC soft modem on the Intel ICH3 AC link DMA engine 56 Kbps Data /Fax Modem.
Ethernet	Intel Ethernet LOM
IEEE 1394 (on planar)	On planar (Pop/ Depop) Ti TSB43AB21 1394 controller on board  IEEE 1394.a 4–pin connector –no cable power 100-Mbps, 200 Mbps and 400 Mbps.
CDC	One CDC slot (MDC)





<b>Feature</b>	<b>Description</b>
Mini-PCI	One Mini-PCI slot (802. 11b-Modem Combo)
Antenna (By Model)	Yes
PC Card (PCMCIA)	T2x1 or T3x1 (Cardbus w/o ZV Port) Two Type I/II or oneType III
ThinkLight	Yes
IR	Yes
I/O ports	External monitor  Parallel  CRT  Two USB  Headphone  Mic-in  Speaker-out  Telephone (RJ11)  LAN (RJ45)  TV-out (S-Video)  Docking (for port Replicator)  DC-in  IEEE 1394 port (IEEE 1394 mode only)
Security chip support	TCPA Security
Power	72-Watt AC Adapter  8-cell Li-Ion Intelligent Battery Pack
BIOS	IBM BIOS

## **Status indicators**


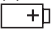

The system-status indicators on the computer show the current status of your computer by their on or off states and colors (green and orange). Each indicator is identified with a symbol. The following shows the location and the

meaning of each icon:

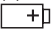



Symbol	Color	Meaning
(1) Drive in use 	Green	Data is being read from or written to the hard disk. Do not enter standby mode or power off the computer when this indicator is on.
(2) Numeric lock 	Green	The numeric keypad on the keyboard is enabled. You enable or disable the keypad by pressing and holding the <b>Shift</b> key, and pressing the <b>NumLk</b> key. For details, see the <i>User's Reference</i> .
(3) Caps lock 	Green	Caps Lock mode is enabled. All alphabetic characters (A-Z) are entered in capital letters without the <b>Shift</b> key being pressed. You enable or disable the Caps Lock mode by pressing the <b>Caps Lock</b> key.
(4) Scroll lock 	Green	Scroll Lock mode is enabled. The <b>Arrow</b> keys can be used as screen-scroll function keys. The cursor cannot be moved with the <b>Arrow</b> keys. <i>Not all application programs support this function.</i> You enable or disable Scroll Lock mode by pressing the <b>ScrLk</b> key.



Symbol	Color	Meaning
(5) Power on 	Green	The computer is operational. This indicator is on when the computer is on.
(6) Battery status 	Green	Enough battery power remains for operation.
	Blinking green	The battery power charges up to 80% full power
	Blinking orange	The battery pack needs to be charged
	Orange	The battery pack is being charged.
(7) Standby mode 	Green	The computer is in standby mode



Symbol	Color	Meaning
(1) Battery status 	Green	Enough battery power remains for operation.
	Blinking green	The battery power charges up to 80% full power
	Blinking orange	The battery pack needs to be charged
	Orange	The battery pack is being charged.
(2) Standby mode 	Green	The computer is in standby mode

## FRU tests

The following table shows the applicable test for each FRU using PC-Doctor.

FRU	Applicable test
System board	<ol style="list-style-type: none"> <li>1. CPU/Coprocessor (<b>Diagnostics</b>)</li> <li>2. System board (<b>Diagnostics</b>)</li> </ol>
Power	Battery ( <b>Diagnostics</b> )
LCD unit	<ol style="list-style-type: none"> <li>1. Video Adapter (<b>Diagnostics</b>)</li> <li>2. Video (<b>Interactive Tests</b>)</li> </ol>
Modem	<ol style="list-style-type: none"> <li>1. Make sure the modem set up correctly.</li> <li>2. Replacing the modem jack and modem card one at a time, run the modem tests in Other Devices (<b>Diagnostics</b>)</li> </ol>
Audio	Internal Speaker ( <b>Interactive Tests</b> )  Stereo Speaker ( <b>Interactive Tests</b> )
Speaker	System beeper: Internal Speaker ( <b>Interactive Tests</b> )
PC Card slots	System board ( <b>Diagnostics</b> )
Keyboard	<ol style="list-style-type: none"> <li>1. Keyboard (<b>Diagnostics</b>)</li> <li>2. Keyboard (<b>Interactive Tests</b>)</li> </ol>
TrackPoint or Pointing device	<p>If the TrackPoint does not work, see if an external PS/2 mouse is connected to the mouse/keyboard connector and remove it. The TrackPoint is automatically disabled if an external PS/2 mouse is attached. Check also if the TrackPoint driver is correctly installed by accessing Windows Device Manager via the System icon in the Control Panel.</p> <p>After you use the TrackPoint, the pointer drifts on the screen for a short time. This self-acting pointer movement can occur when a slight, steady pressure is applied to the TrackPoint pointer. This symptom is not a hardware problem. No service actions are necessary if the pointer movement stops in a short period of time.</p> <p>If this does not correct the TrackPoint problem, continue with the following:            Mouse (<b>Interactive Tests</b>).</p>
Hard disk drive	Fixed Disks ( <b>Diagnostics</b> )
CD-ROM drive	CD-ROM, DVD, CD-RW, DVD/CD-RW ( <b>Interactive Tests</b> )

FRU	Applicable test
Memory	<ol style="list-style-type: none"> <li data-bbox="418 243 938 315">1. If a DIMM is installed, remove it and run Memory Test-Quick (<b>Diagnostics</b>)</li> <li data-bbox="418 327 938 399">2. If the problem does not recur, replace the DIMM and run the test again.</li> <li data-bbox="418 411 938 484">3. If the test does not detect the error, run Memory Test-Full (<b>Diagnostics</b>)</li> </ol>
Fan	<ol style="list-style-type: none"> <li data-bbox="418 508 938 616">1. Power on system and check the air turbulence at the louver at the rear of the computer.</li> <li data-bbox="418 628 938 700">2. Run the fan test in Other Devices (<b>Diagnostics</b>).</li> </ol>

## FRU removals and replacements

This section contains information about removals and replacements.

- Do not damage any parts. Only certified and trained personnel should service the computer.
- The arrows in this section show the direction of movement to remove a FRU, or to turn a screw to release the FRU. The arrows are marked in numeric order, in square callout, to show the correct sequence of removal.
- Any FRUs that must be removed before removing the failing FRU are listed at the top of the page.
- To replace a FRU, reverse the removal procedure and follow any notes that pertain to replacement. See “Locations” on page 98 for internal cable connections and arrangement information.
- When replacing a FRU, use the correct screw size, as shown in the procedure.

### Safety Notice 1

Translations in “Safety Notices (Multi-lingual Translations)” section: Before the computer is powered-on after FRU replacement, make sure all screws, springs, or other small parts are in place and are not left loose inside the computer. Verify this by shaking the computer and listening for rattling sounds. Metallic parts or metal flakes can cause electrical shorts.

### Safety Notice 3

Translations in “Safety Notices (Multi-lingual Translations)” section: The battery pack contains small amounts of nickel. Do not disassemble it, throw it into fire or water, or short-circuit it. Dispose of the battery pack as required by local ordinances or regulations. Use only the battery in the appropriate parts listing when replacing the battery pack. Use of an incorrect battery can result in ignition or explosion of the battery.

### **Safety Notice 8**

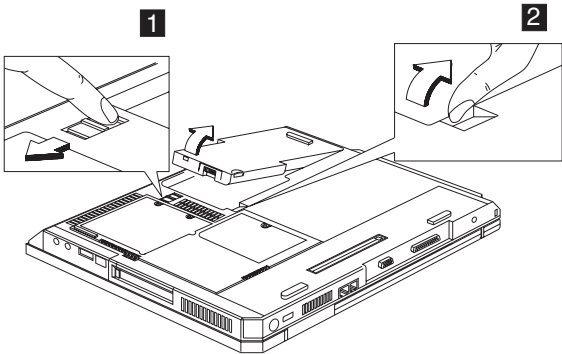
Translations in "Safety Notices (Multi-lingual Translations)" section: Before removing any FRU, power-off the computer, unplug all power cords from electrical outlets, remove the battery pack, then disconnect any interconnecting cables.

**Attention:** The system board is sensitive and can be damaged by electronic discharge. Establish personal grounding by touching a ground point with one hand before touching these units.

An electrostatic discharge (ESD) strap (P/N: 6405959) must be used to establish personal grounding.

**Note:** When disassembling the computer, please follow the numerical and alphabetical orders such as 1a, 1b, 1c, 1d, 2, 3, 4. Please note that when you assemble the computer, the sequence marked in number and alphabets should be reversed, for instance, 4, 3, 2, 1d, 1c, 1b, 1a.

## **1010 Battery Disassembly**



### **Warning**

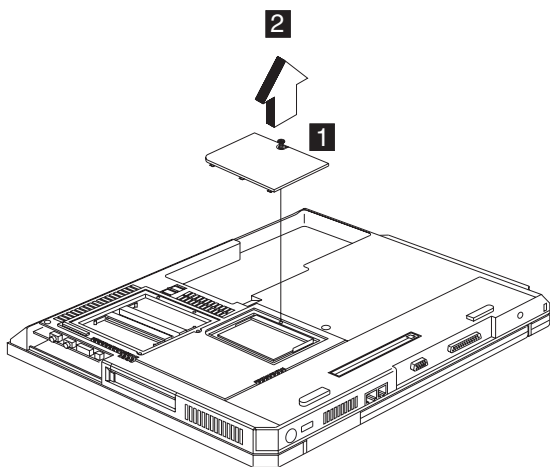
Battery packs are capable of delivering high currents for a significant amount of time. Do not short the battery terminals.

### **CAUTION:**

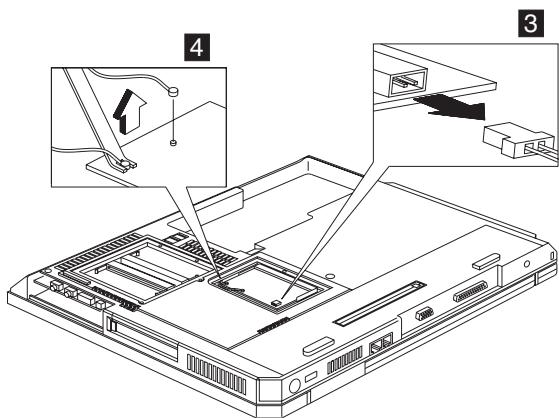
**Danger of explosion if battery is incorrectly replaced. Replace only with the same or equivalent type recommended by the manufacturer. Dispose of used batteries according to the manufacturer's instructions.**

## 1020 Mini-PCI cover and Mini-PCI card Disassembly

- “1010 Battery Disassembly” on page 63

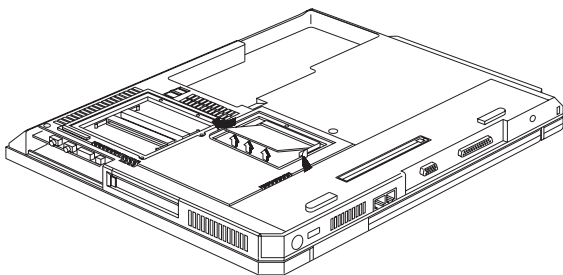


**Note:** The screw does not separate from the PCI cover.



**Note:** There are 2 cables on step 4 : The gray cable is the main antenna and the black cable is the auxiliary antenna. There is no step 3 if the Mini-PCI card is not stalled, then this cable will be connected to the

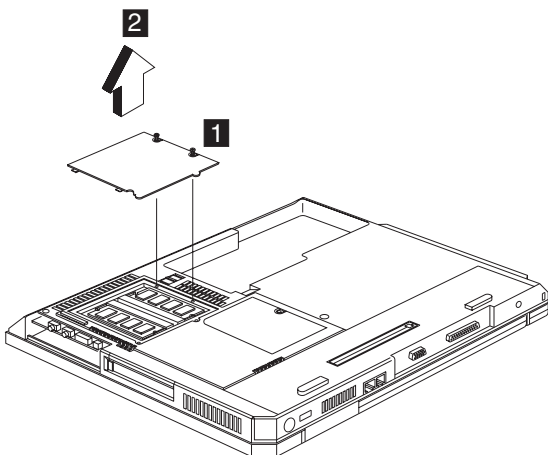
CDC card.



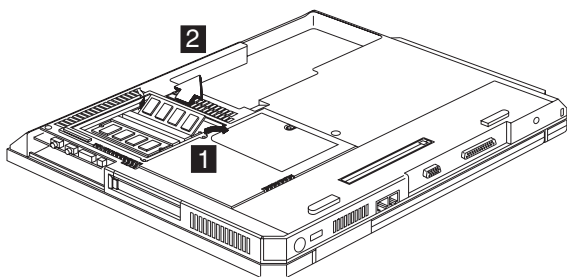
**Note:** When you install the PCI card, remember to insert it into its socket at 20°, press it down and ensure the connection is well.

## 1030 Memory cover and Memory card Disassembly

- “1010 Battery Disassembly” on page 63

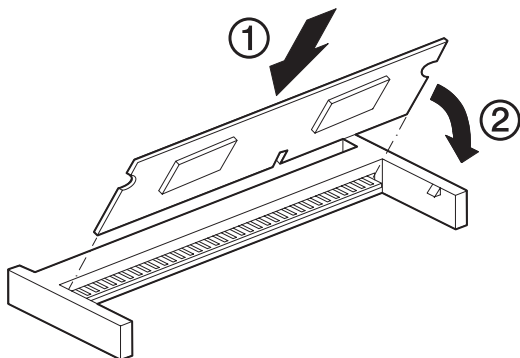


**Note:** The screws do not separate from the memory cover.

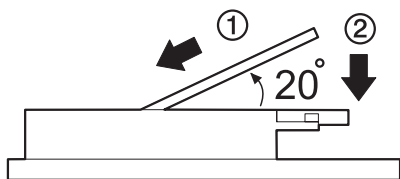


To install the memory card:

With the notched end of the memory card toward the right side of the socket, insert the memory card, at an angle of approximately 20°, into the socket; then press it firmly. Pivot the memory card until it snaps into place.



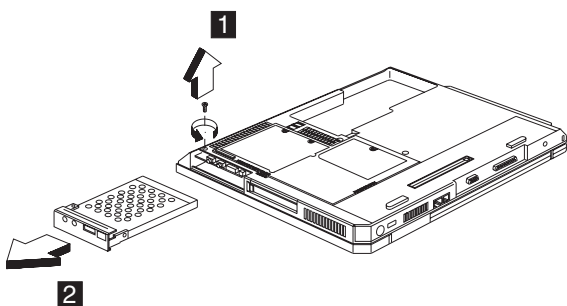
Side View



## 1040 Hard Disk Drive Disassembly

- “1010 Battery Disassembly” on page 63





Step	Size (Quantity)	Color	Torque
1	M3 x L3.5 (1)	Black	3.2 kgf-cm

### Warning

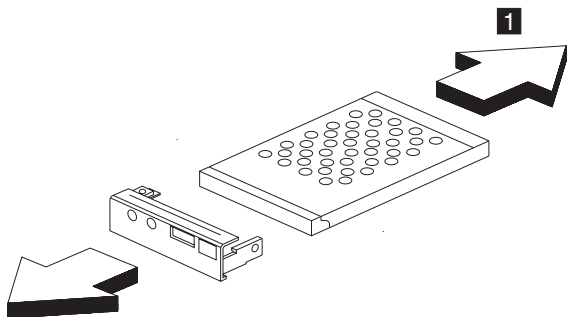
Do not drop or apply any shock to the hard disk drive. The hard disk drive is sensitive to physical shock. Incorrect handling can cause damage and permanent loss of data on the drive.

Before removing the drive, have the user make a backup copy of all the information on the drive if possible.

Never remove the drive while the system is operating or is in suspend mode.

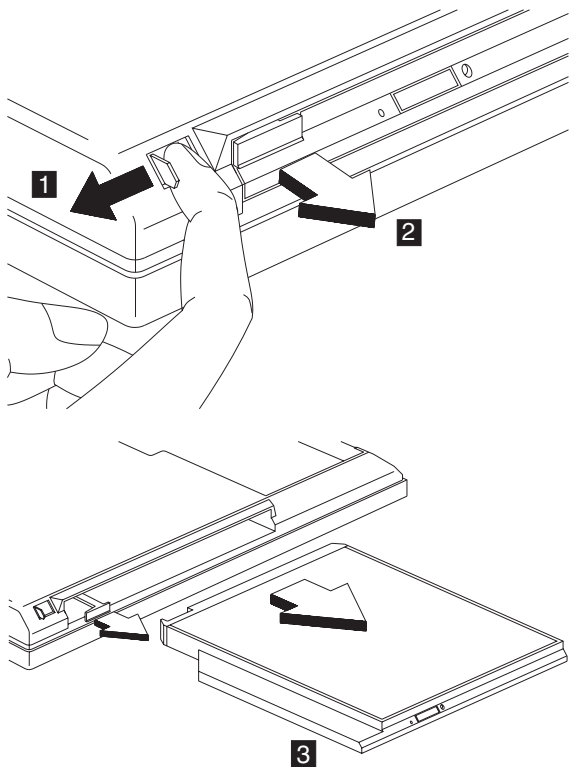
## 1050 Hard Disk Drive Cover Disassembly

- “1010 Battery Disassembly” on page 63



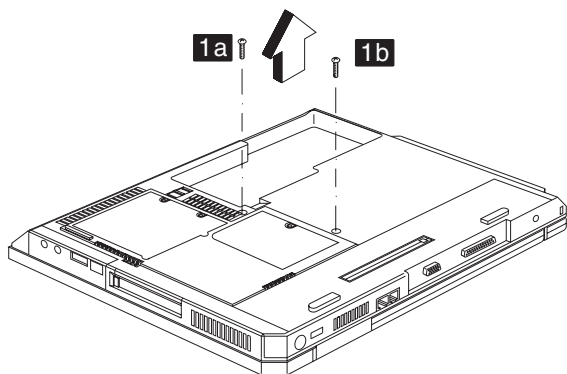
## 1060 CD-ROM Disassembly

- “1010 Battery Disassembly” on page 63

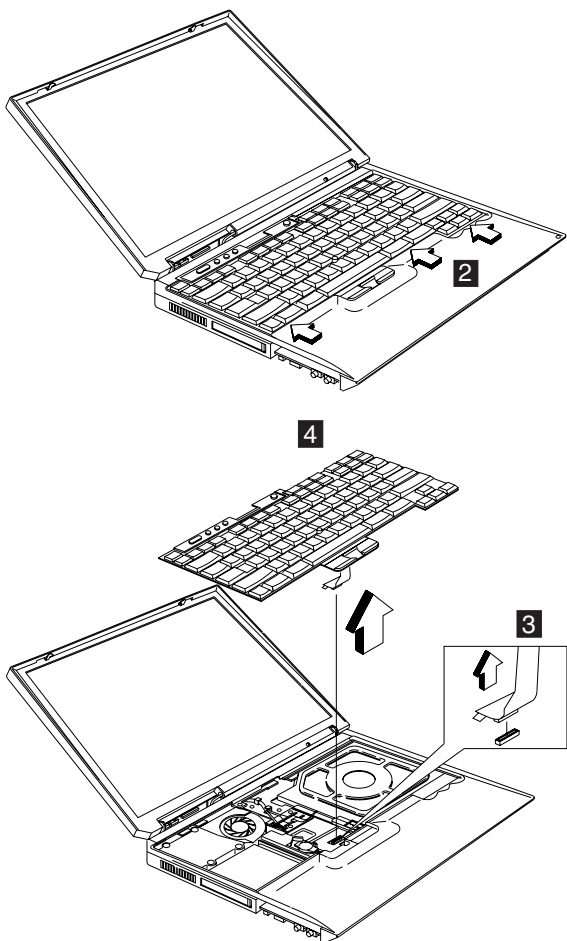


## 1070 Keyboard Disassembly

- “1010 Battery Disassembly” on page 63



Step	Size (Quantity)	Color	Torque
1	M2.5 x L10 (2)	Black	3.2 kgf-cm

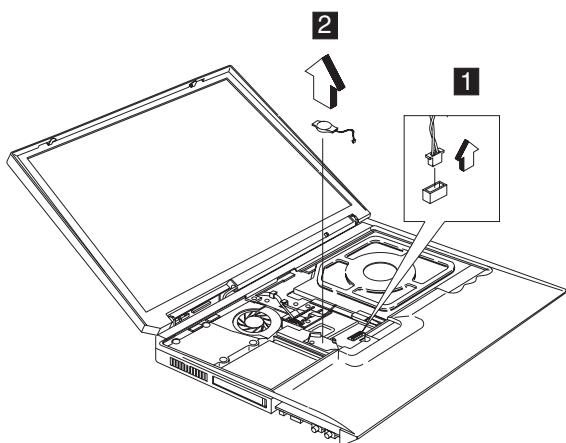


#### Notes:

1. When replacing the keyboard, make sure that the cable is clean and insert it directly into the connector, making sure it makes contact with the bottom of the connector.
2. If the cable do not touch the bottom of the connector, the keyboard function will be rendered useless.
3. The cable of the keyboard are fragile and could be damaged. Be careful when pulling out the cable.

#### 1080 Backup Battery Disassembly

- “1010 Battery Disassembly” on page 63
- “1070 Keyboard Disassembly” on page 68



**CAUTION:**

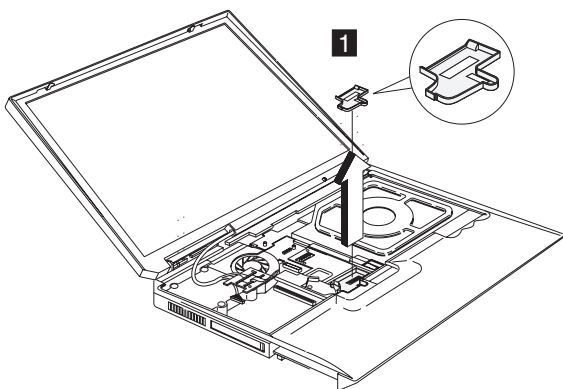
**Danger of explosion if battery is incorrectly replaced. Replace only with the same or equivalent type recommended by the manufacturer. Dispose of used batteries according to manufacturer's instruction.**

**Safety Notice 4**

Translation in "Safety Notices: Multi-lingual Translations" section: The backup battery is a lithium battery and can cause a fire, an explosion, or severe burns. Do not recharge it, remove its polarized connector, disassemble it, heat it above 100°C (212°F), incinerate it, or expose its cell contents to water. Dispose of the battery as required by local ordinances or regulations. Use of an incorrect battery can result in ignition or explosion of the battery. Replacement batteries can be ordered from IBM or IBM Authorized Dealers.

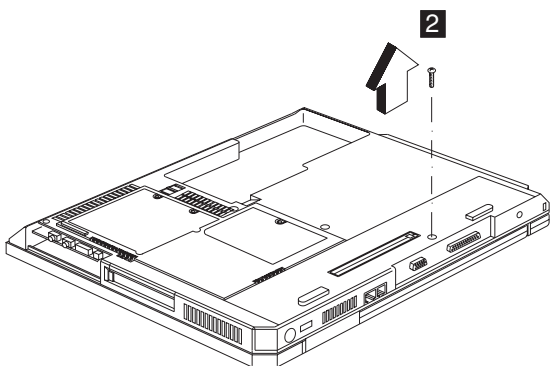
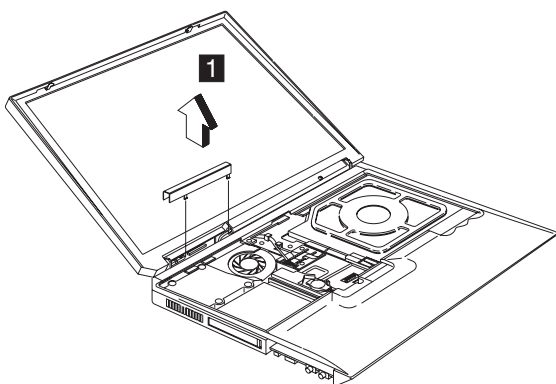
**1090 Safety Cover Disassembly**

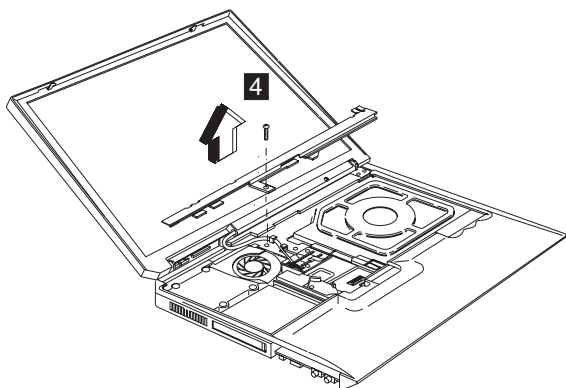
- "1010 Battery Disassembly" on page 63
- "1070 Keyboard Disassembly" on page 68



## 1100 Middle Cover Disassembly

- “1010 Battery Disassembly” on page 63
- “1070 Keyboard Disassembly” on page 68

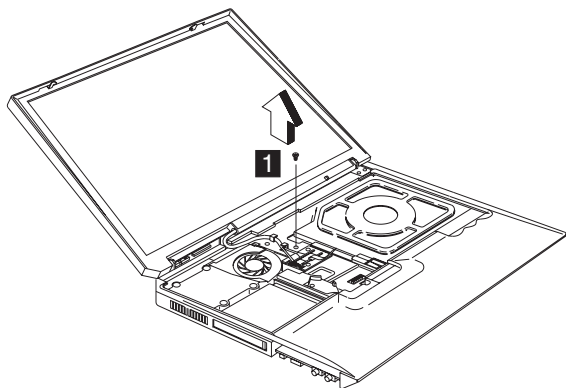




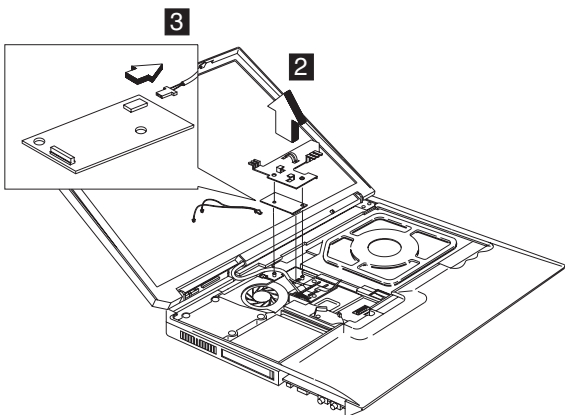
Step	Size (Quantity)	Color	Torque
2	M2.5 x L10 (1)	Black	3.2 kgf-cm
4	M2.5 x L5 (1)	Silver	2.5 kgf-cm

## 1110 CDC Cover Disassembly

- “1010 Battery Disassembly” on page 63
- “1020 Mini-PCI cover and Mini-PCI card Disassembly” on page 64
- “1070 Keyboard Disassembly” on page 68
- “1100 Middle Cover Disassembly” on page 71



Step	Size (Quantity)	Color	Torque
1	M2.5 x L5 (1)	Silver	2.5 kgf-cm

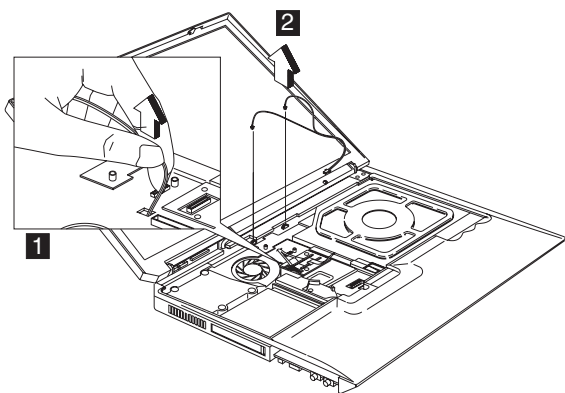


**Notes:**

1. If the Thinkpad R32 products are equipped with the Mini-PCI card, then the CDC modem card will not be installed. The procedure of "cdc-card" referred above should be skipped.

**1120 Modem Cable Disassembly (Without CDC Modem Card)**

- "1010 Battery Disassembly" on page 63
- "1020 Mini-PCI cover and Mini-PCI card Disassembly" on page 64
- "1070 Keyboard Disassembly" on page 68
- "1100 Middle Cover Disassembly" on page 71
- "1110 CDC Cover Disassembly" on page 72



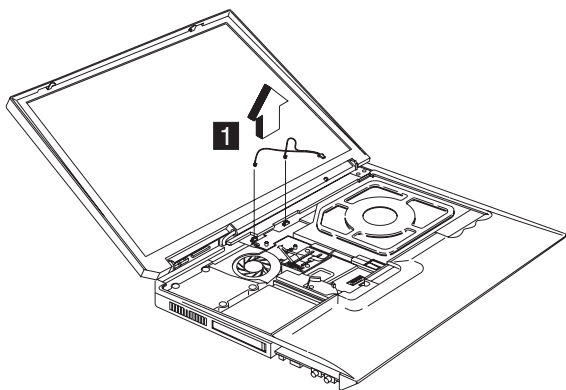
**Notes:**

1. If the Thinkpad R32 products are equipped with the Mini-PCI card, the CDC modem card will not be

installed. The modem cable will then be connected to the Mini-PCI card. Refer to "Mini-PCI card" disassembly procedure to disconnect the modem cable.

## 1130 Modem Cable Disassembly (With CDC Modem Card)

- "1010 Battery Disassembly" on page 63
- "1070 Keyboard Disassembly" on page 68
- "1100 Middle Cover Disassembly" on page 71
- "1110 CDC Cover Disassembly" on page 72



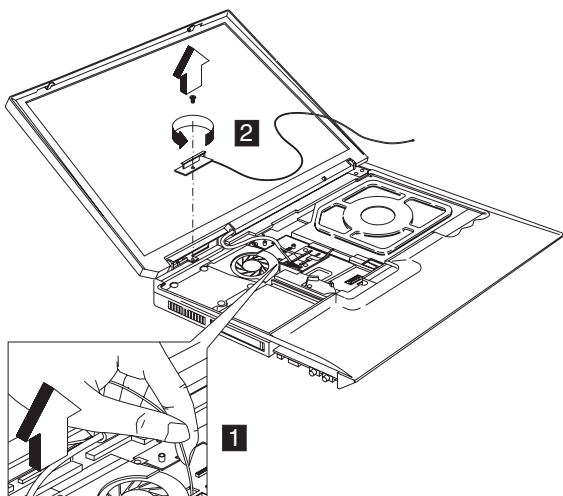
### Notes:

1. If the Thinkpad R32 products are equipped with the CDC modem card, the wireless LAN board will not be installed. The modem cable will then be connected to the CDC modem card. Refer to "CDC modem card" disassembly procedure to disconnect the modem cable.

## 1140 Auxiliary Antenna Disassembly

- "1010 Battery Disassembly" on page 63
- "1020 Mini-PCI cover and Mini-PCI card Disassembly" on page 64
- "1070 Keyboard Disassembly" on page 68
- "1100 Middle Cover Disassembly" on page 71
- "1110 CDC Cover Disassembly" on page 72



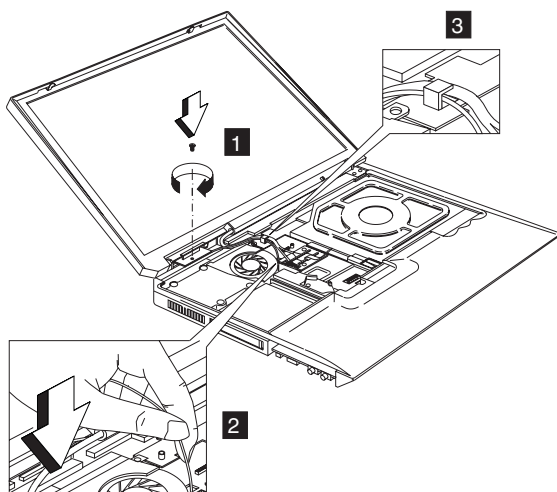


Step	Size (Quantity)	Color	Torque
2	M2 x L2.5(1)	Silver	2.0 kgf-cm

**Note:** Release the black cable, which is the auxiliary antenna from the system.

## 1150 Auxiliary Antenna Reassembly

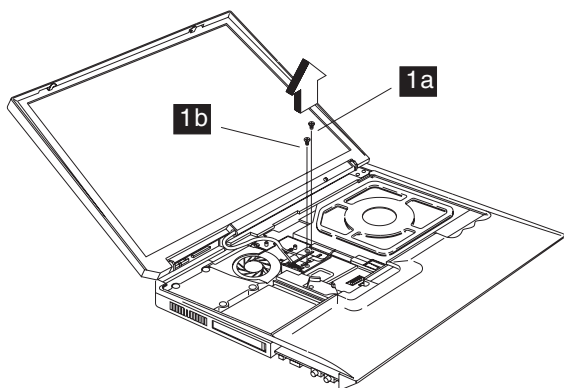
- “1010 Battery Disassembly” on page 63
- “1020 Mini-PCI cover and Mini-PCI card Disassembly” on page 64
- “1070 Keyboard Disassembly” on page 68
- “1100 Middle Cover Disassembly” on page 71
- “1110 CDC Cover Disassembly” on page 72



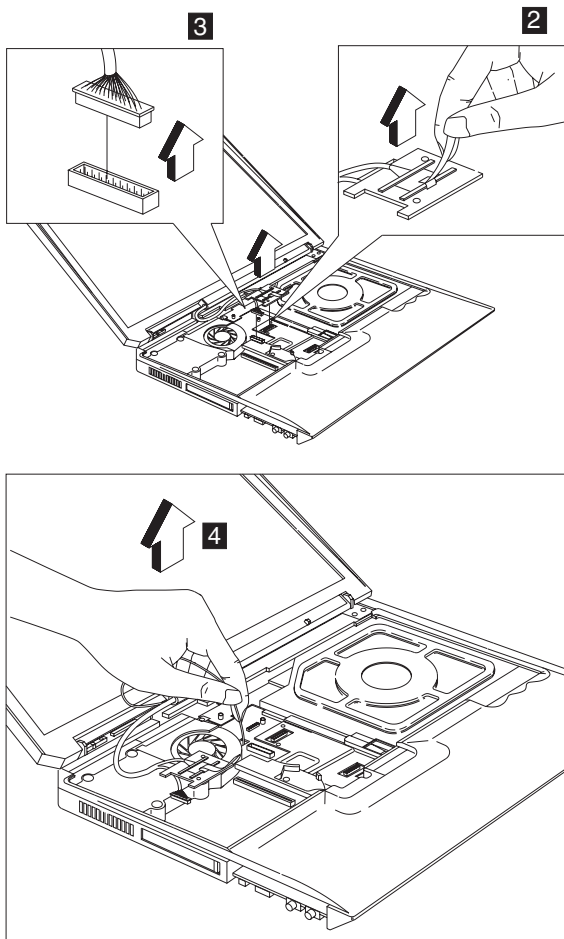
**Note:** Please follow number 1, 2, 3 to reinsert the auxiliary antenna and arrange the cable well based on the above drawing.

## 1160 Coaxial Cable and Inverter Cable Disassembly

- “1010 Battery Disassembly” on page 63
- “1020 Mini-PCI cover and Mini-PCI card Disassembly” on page 64
- “1070 Keyboard Disassembly” on page 68
- “1100 Middle Cover Disassembly” on page 71
- “1110 CDC Cover Disassembly” on page 72



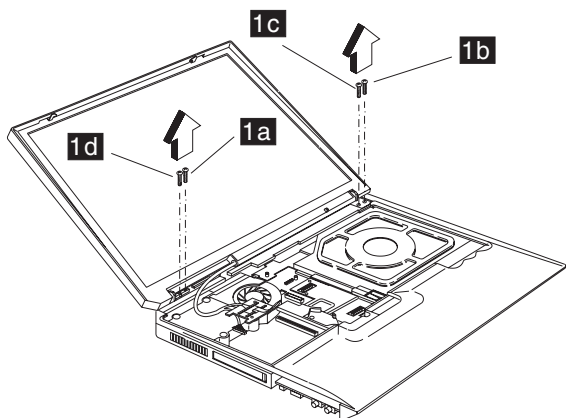
Step	Size (Quantity)	Color	Torque
1	M2.5 x L5 (2)	Silver	2.5 kgf-cm



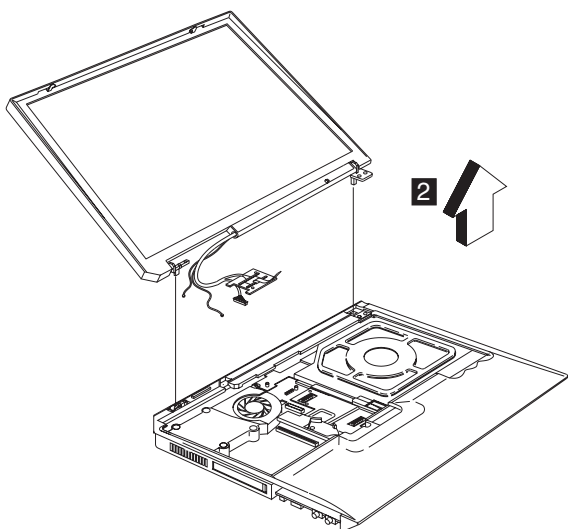
**Note:** Release the gray cable, which is the main antenna from the system.

## 1170 LCD Disassembly

- “1010 Battery Disassembly” on page 63
- “1020 Mini-PCI cover and Mini-PCI card Disassembly” on page 64
- “1070 Keyboard Disassembly” on page 68
- “1100 Middle Cover Disassembly” on page 71
- “1110 CDC Cover Disassembly” on page 72

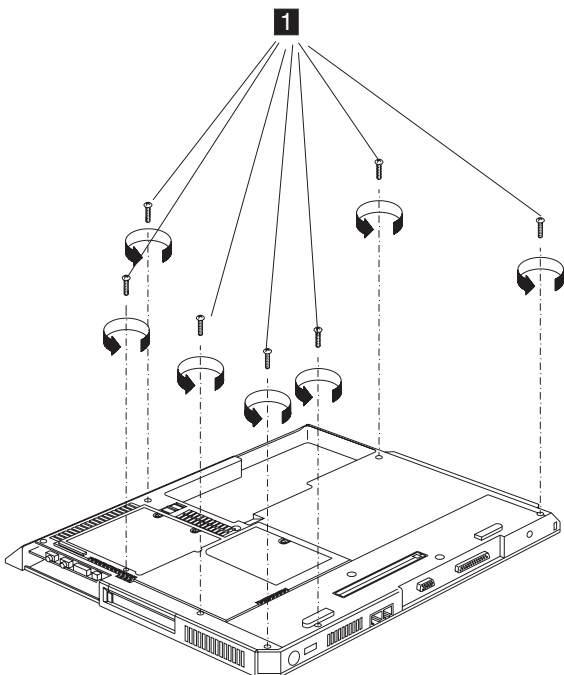


Step	Size (Quantity)	Color	Torque
1	M2.5 x L10 (4)	Black	3.2 kgf-cm

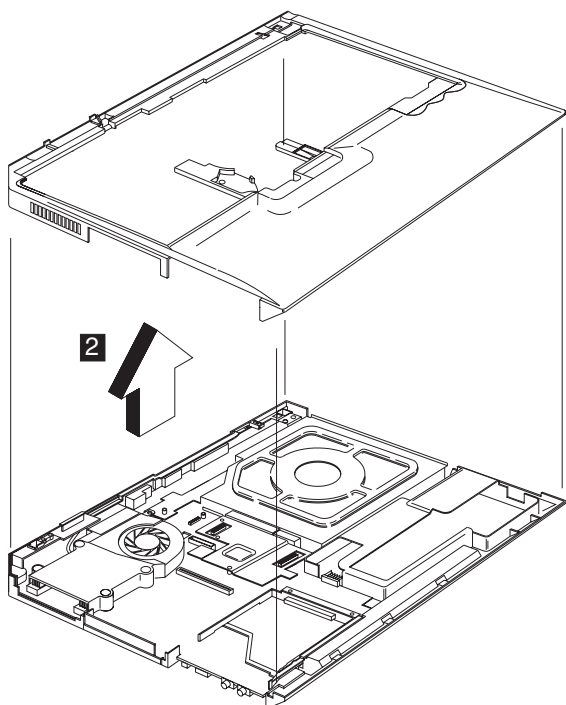


## 1180 Keyboard bezel Disassembly

- “1010 Battery Disassembly” on page 63
- “1020 Mini-PCI cover and Mini-PCI card Disassembly” on page 64
- “1040 Hard Disk Drive Disassembly” on page 66
- “1070 Keyboard Disassembly” on page 68
- “1100 Middle Cover Disassembly” on page 71
- “1170 LCD Disassembly” on page 77



Step	Size (Quantity)	Color	Torque
1	M2.5 x L10 (7)	Black	3.2 kgf-cm

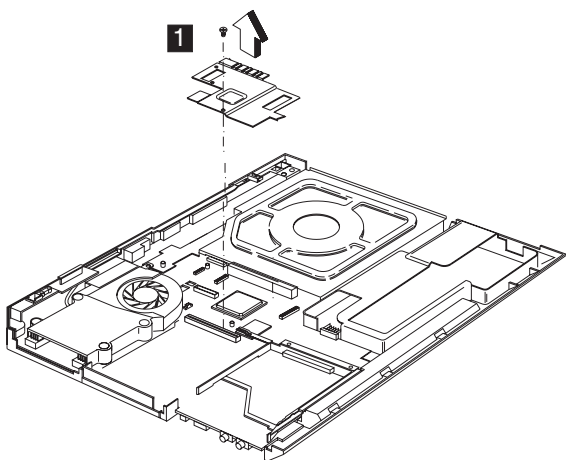


**CAUTION:**

The keyboard bezel has several latches. When removing the keyboard bezel from the bottom cover, gently release these latches, then raise the side of the keyboard bezel facing the palm rest to remove it. Be careful not to break the latches.

### 1190 VGA Heat Sink Disassembly

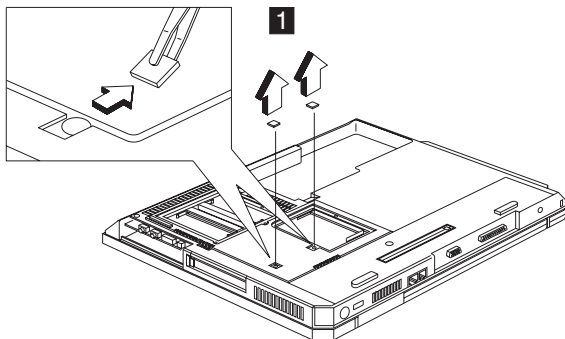
- “1010 Battery Disassembly” on page 63
- “1020 Mini-PCI cover and Mini-PCI card Disassembly” on page 64
- “1040 Hard Disk Drive Disassembly” on page 66
- “1070 Keyboard Disassembly” on page 68
- “1090 Safety Cover Disassembly” on page 70
- “1100 Middle Cover Disassembly” on page 71
- “1170 LCD Disassembly” on page 77
- “1160 Coaxial Cable and Inverter Cable Disassembly” on page 76
- “1180 Keyboard bezel Disassembly” on page 78

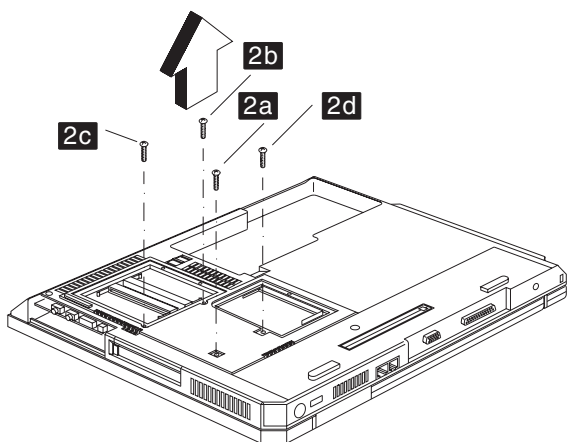


Step	Size (Quantity)	Color	Torque
1	M2.5 x L5 (1)	Silver	2.5 kgf-cm

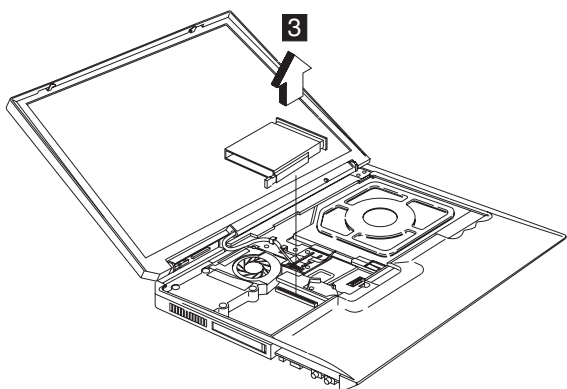
## 1200 PCMCIA Holder Disassembly

- “1010 Battery Disassembly” on page 63
- “1070 Keyboard Disassembly” on page 68
- “1030 Memory cover and Memory card Disassembly” on page 65





Step	Size (Quantity)	Color	Torque
2	M2 x L6 (4)	Silver	1.6 kgf-cm

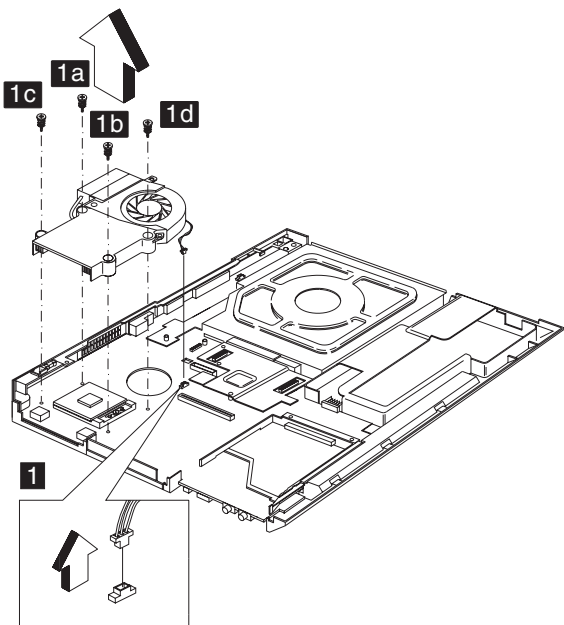


**Note:** Before removing and replacing the PCMCIA holder, make sure that the PCMCIA cards are removed and the eject levers are sticking out.

### 1210 Heat Sink Module Disassembly

- “1010 Battery Disassembly” on page 63
- “1070 Keyboard Disassembly” on page 68
- “1100 Middle Cover Disassembly” on page 71



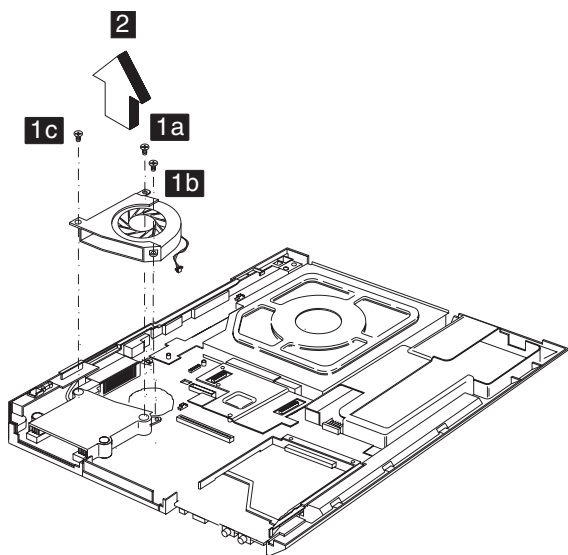


Step	Size (Quantity)	Color	Torque
1	CPU Special Screw(4)	Silver	2.5 kgf-cm

**Note:** Thermal Pad must be replaced when either Heat Sink Module, CPU or System Board is replaced. Thermal Pad is stuck on the bottom side of Heat Sink Module with adhesive. Do not re-use the thermal pad.

## 1220 Fan Disassembly

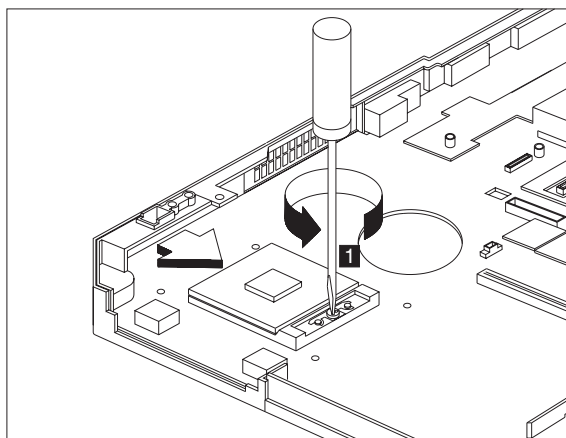
- “1010 Battery Disassembly” on page 63
- “1070 Keyboard Disassembly” on page 68
- “1100 Middle Cover Disassembly” on page 71

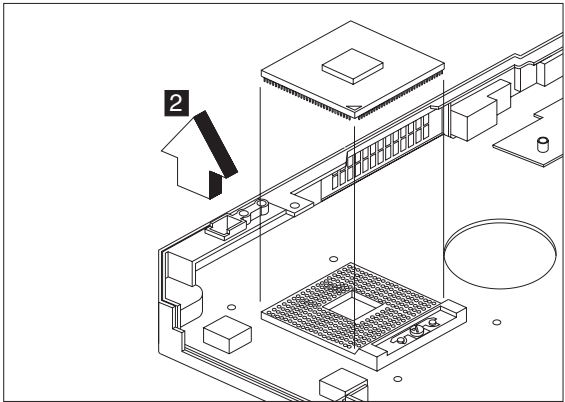


Step	Size (Quantity)	Color	Torque
1	M2.5 x L5 (3)	Silver	2.5 kgf-cm

## 1230 CPU Disassembly

- “1010 Battery Disassembly” on page 63
- “1070 Keyboard Disassembly” on page 68
- “1100 Middle Cover Disassembly” on page 71
- “1210 Heat Sink Module Disassembly” on page 82

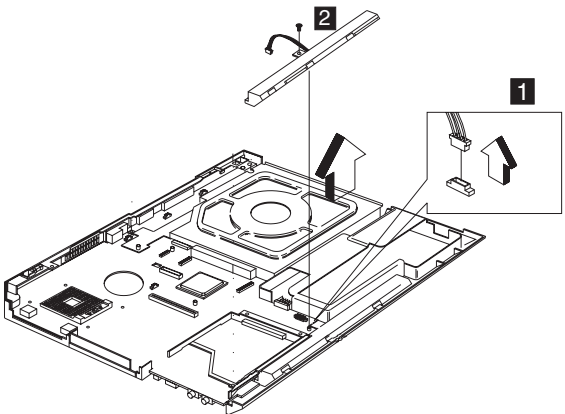




**Note:** Thermal Pad must be replaced when either Heat Sink Module, CPU or System Board is replaced. Thermal Pad is stuck on the bottom side of Heat Sink Module with adhesive. Do not re-use the thermal pad.

## 1240 Speaker Disassembly

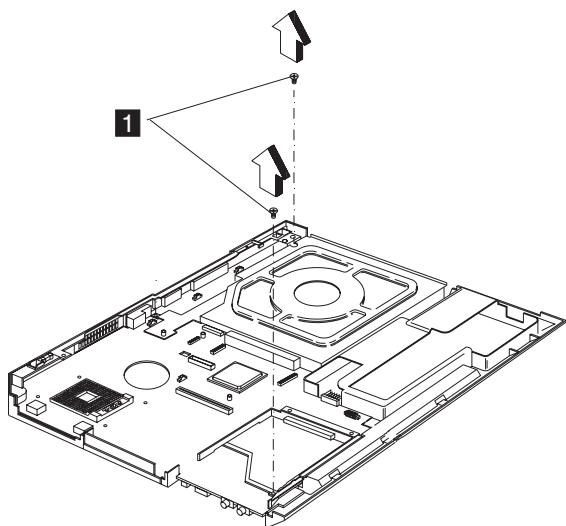
- “1010 Battery Disassembly” on page 63
- “1020 Mini-PCI cover and Mini-PCI card Disassembly” on page 64
- “1040 Hard Disk Drive Disassembly” on page 66
- “1070 Keyboard Disassembly” on page 68
- “1100 Middle Cover Disassembly” on page 71
- “1170 LCD Disassembly” on page 77
- “1180 Keyboard bezel Disassembly” on page 78



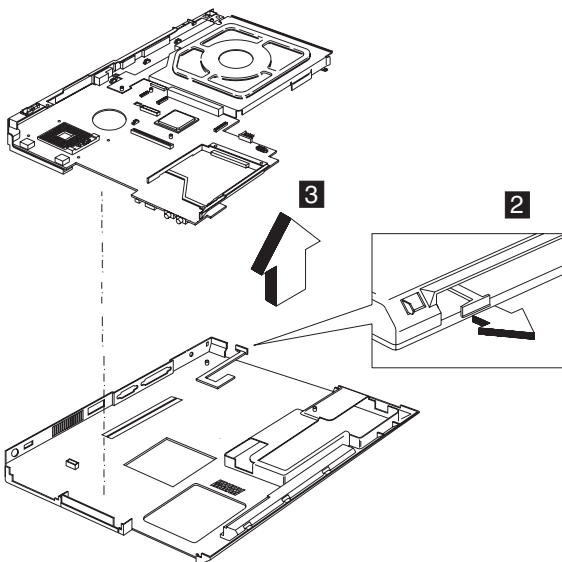
Step	Size (Quantity)	Color	Torque
2	M2.5 x L5(1)	Silver	2.5 kgf-cm

## 1250 System Board Disassembly

- “1010 Battery Disassembly” on page 63
- “1020 Mini-PCI cover and Mini-PCI card Disassembly” on page 64
- “1040 Hard Disk Drive Disassembly” on page 66
- “1060 CD-ROM Disassembly” on page 67
- “1070 Keyboard Disassembly” on page 68
- “1100 Middle Cover Disassembly” on page 71
- “1110 CDC Cover Disassembly” on page 72
- “1170 LCD Disassembly” on page 77
- “1180 Keyboard bezel Disassembly” on page 78
- “1240 Speaker Disassembly” on page 85



Step	Size (Quantity)	Color	Torque
1	M2.5 x L5(2)	Silver	2.5 kgf-cm

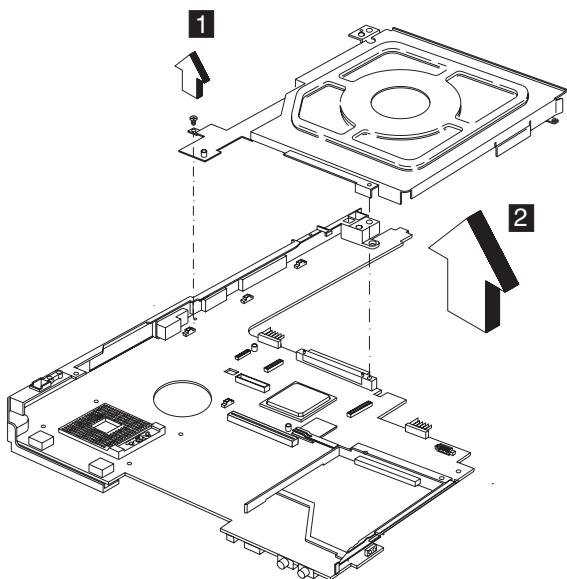


#### Notes:

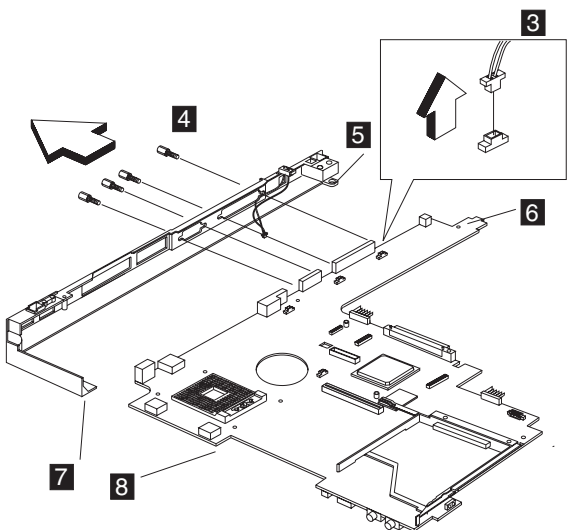
1. When removing the system board from the bottom cover, gently raise the side of the system board facing the rear I/O ports; then pull out the system board.
2. In step 2, further pull out this latch before the system board is attached to the lower case.
3. Thermal Pad must be replaced when either Heat Sink Module, CPU or System Board is replaced. Thermal Pad is stuck on the bottom side of Heat Sink Module with adhesive. Do not re-use the thermal pad.

### 1260 I/O Port Bracket Disassembly

- “1010 Battery Disassembly” on page 63
- “1020 Mini-PCI cover and Mini-PCI card Disassembly” on page 64
- “1040 Hard Disk Drive Disassembly” on page 66
- “1060 CD-ROM Disassembly” on page 67
- “1070 Keyboard Disassembly” on page 68
- “1100 Middle Cover Disassembly” on page 71
- “1110 CDC Cover Disassembly” on page 72
- “1170 LCD Disassembly” on page 77
- “1180 Keyboard bezel Disassembly” on page 78
- “1240 Speaker Disassembly” on page 85
- “1250 System Board Disassembly” on page 86



Step	Size (Quantity)	Color	Torque
1	M2.5 x L6	Silver	3.2 kgf-cm
2	M2 x L12	Silver	1.6 kgf-cm



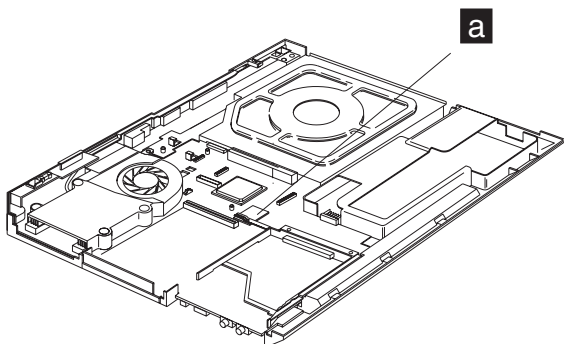
Step	Size (Quantity)	Color	Torque
4	Hex Screw(4)	Silver	2.5 kgf-cm

**Note:** When attaching the I/O port bracket to the system board, please pay special attention to the studs' positions as marked 5, 6, 7, 8. The one marked 5 should be installed above the one marked 6; the one marked number 7 should be aligned with and attached beneath the one marked number 8.

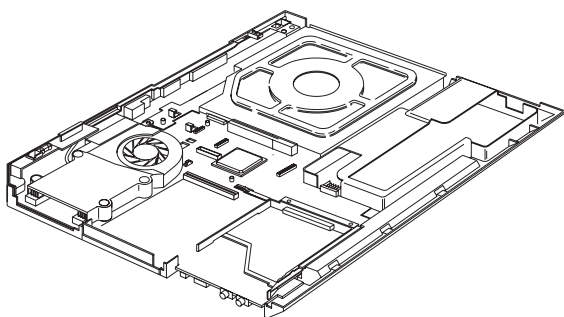
**CAUTION:**

There are several types of system board FRU for the Thinkpad R32 series, as followed:

- System board with IBM security chip



- System board without IBM security chip



Begin by checking the FRU number of the system board, and be sure to use the correct system board FRU for the computer. For the FRU numbers, see "Parts list" on page 161

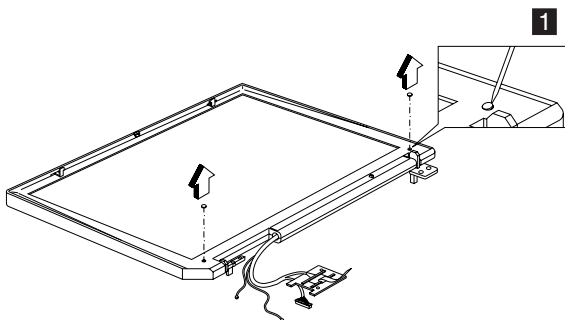
### Important

If the ThinkPad computer you are servicing has the security chip, mind the following:

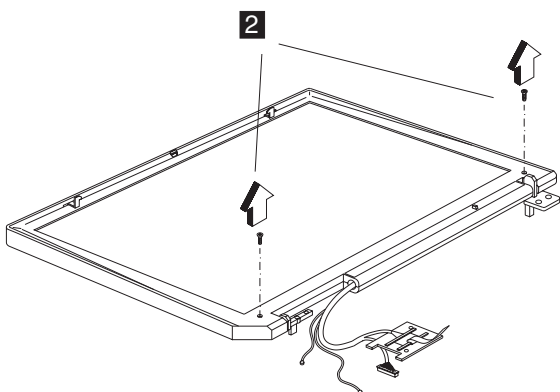
- **Do not remove the security chip from the system board.** If the security chip is removed by accident, reinstall it on the system board immediately. Then make sure that it is firmly fixed on the system board and does not remove easily.
- The security chip **cannot** be used with any other system board.
- The system board **cannot** be used with any other security chip.
- The system board **cannot** be used without security chip
- When you return the defective system board FRU, you must check whether the security chip is firmly attached to the system board. If it is not embedded, it may not be covered under warranty.

## 1270 LCD Bezel Disassembly (14.1")

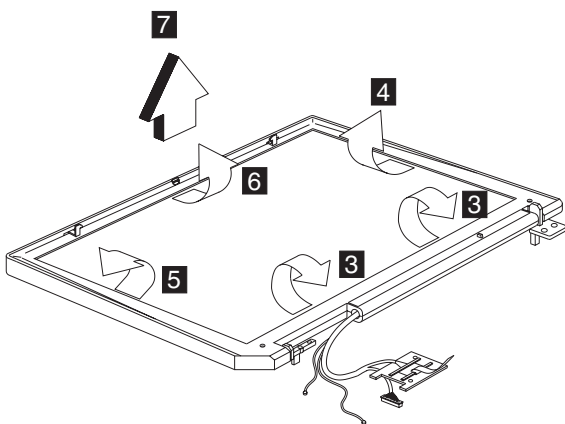
- "1010 Battery Disassembly" on page 63
- "1020 Mini-PCI cover and Mini-PCI card Disassembly" on page 64
- "1070 Keyboard Disassembly" on page 68
- "1100 Middle Cover Disassembly" on page 71
- "1170 LCD Disassembly" on page 77







Step	Size (Quantity)	Color	Torque
2	M2.5 x L6(2)	Black	2.5 kgf-cm



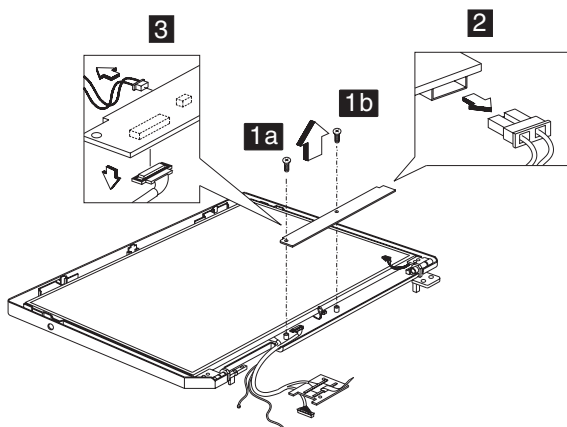
**Note:** When removing the LCD, take note of the following:

- Be careful not to scratch the LCD bezel when removing the screw mylars.
- The LCD bezel has several latches. Release these latches; then remove the LCD bezel. Be careful not to break these latches.
- Gently push the two LCD latches outward to remove the LCD bezel.

## 1280 LCD Inverter Disassembly(14.1")

- "1010 Battery Disassembly" on page 63
- "1020 Mini-PCI cover and Mini-PCI card Disassembly" on page 64

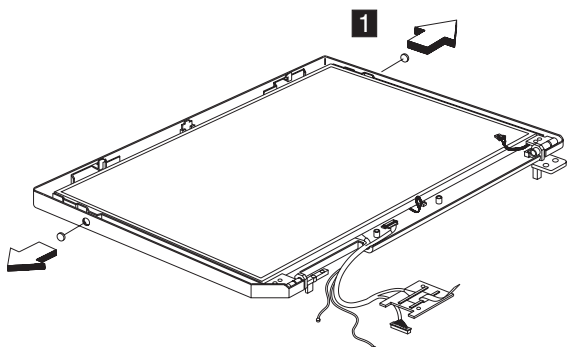
- “1070 Keyboard Disassembly” on page 68
- “1100 Middle Cover Disassembly” on page 71
- “1170 LCD Disassembly” on page 77
- “1270 LCD Bezel Disassembly (14.1”)” on page 90

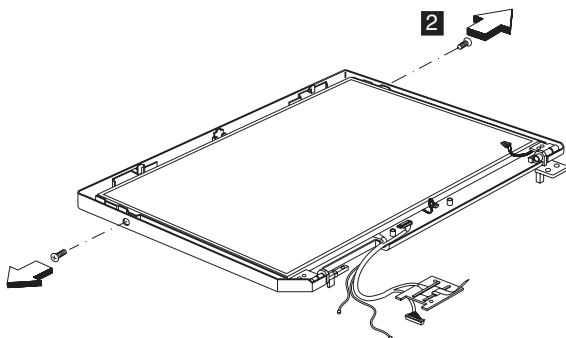


Step	Size (Quantity)	Color	Torque
1	M2 x L10(2)	Black	2.5 kgf-cm

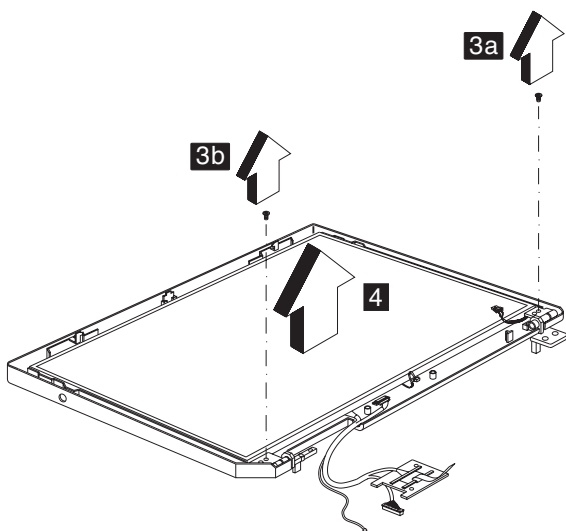
## 1290 LCD Board Disassembly(14.1")

- “1010 Battery Disassembly” on page 63
- “1020 Mini-PCI cover and Mini-PCI card Disassembly” on page 64
- “1070 Keyboard Disassembly” on page 68
- “1100 Middle Cover Disassembly” on page 71
- “1170 LCD Disassembly” on page 77
- “1270 LCD Bezel Disassembly (14.1”)” on page 90
- “1280 LCD Inveter Disassembly(14.1”)” on page 91



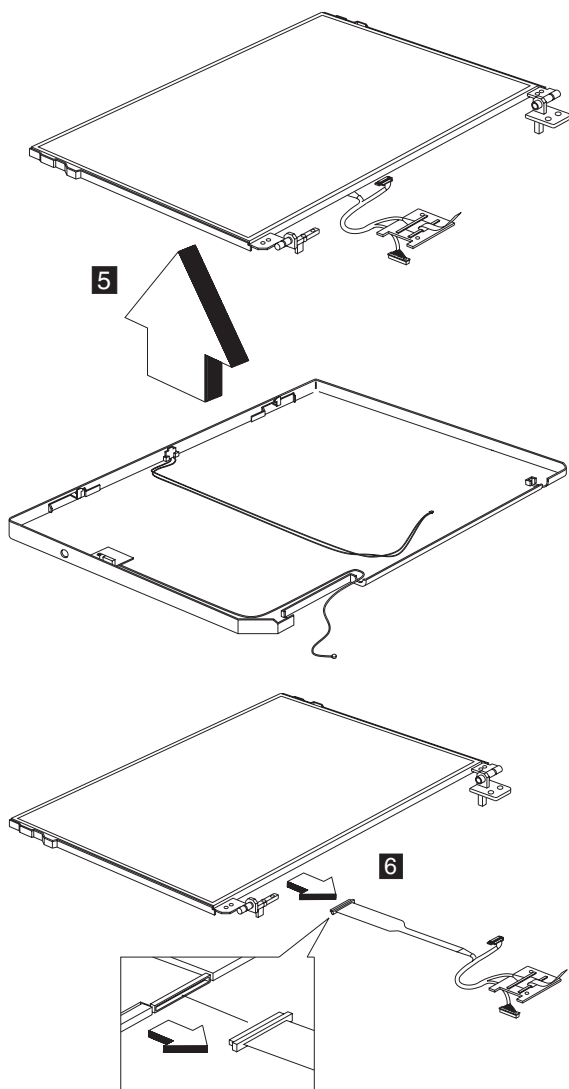


Step	Size (Quantity)	Color	Torque
2	M2 x L4(2)	Silver	2.5 kgf-cm



Step	Size (Quantity)	Color	Torque
3	M2.5 x L6(2)	Black	2.5 kgf-cm

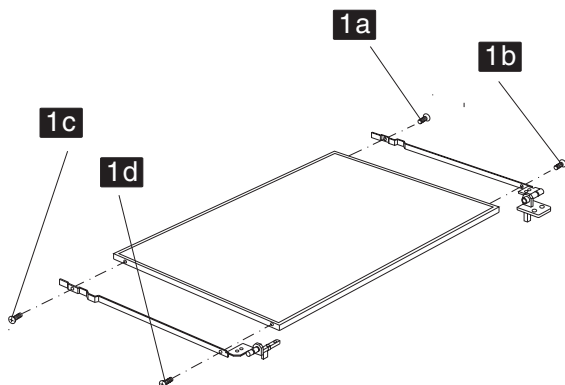
**Note:** Before step 4 of removing the LED board, please make sure the main antenna cable is lifted gently.



## 1300 LCD Bracket Hinges Disassembly (14.1")

- "1010 Battery Disassembly" on page 63
- "1020 Mini-PCI cover and Mini-PCI card Disassembly" on page 64
- "1070 Keyboard Disassembly" on page 68
- "1100 Middle Cover Disassembly" on page 71

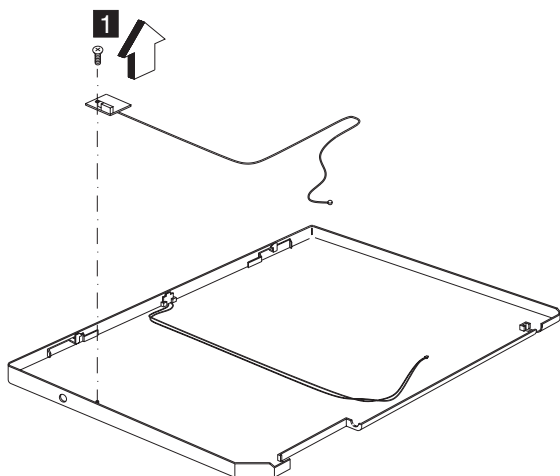
- “1170 LCD Disassembly” on page 77
- “1270 LCD Bezel Disassembly (14.1”)” on page 90
- “1280 LCD Inverter Disassembly(14.1”)” on page 91
- “1290 LCD Board Disassembly(14.1”)” on page 92



Step	Size (Quantity)	Color	Torque
1	M2 x L4 (4)	Silver	2.5 kgf-cm

### 1310 Main Antenna Disassembly(14.1")

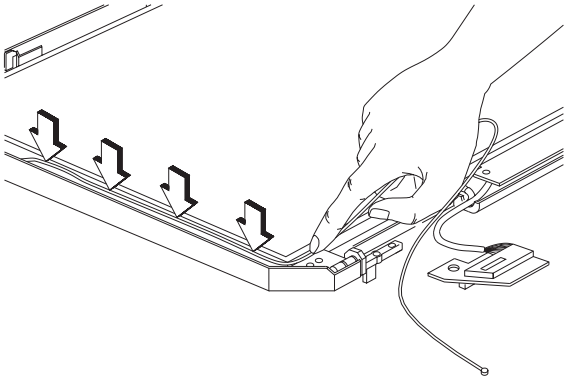
- “1010 Battery Disassembly” on page 63
- “1020 Mini-PCI cover and Mini-PCI card Disassembly” on page 64
- “1070 Keyboard Disassembly” on page 68
- “1100 Middle Cover Disassembly” on page 71
- “1170 LCD Disassembly” on page 77
- “1270 LCD Bezel Disassembly (14.1”)” on page 90
- “1280 LCD Inverter Disassembly(14.1”)” on page 91
- “1290 LCD Board Disassembly(14.1”)” on page 92
- “1300 LCD Bracket Hinges Disassembly (14.1”)” on page 94



Step	Size (Quantity)	Color	Torque
1	M2 x L4(1)	Silver	2.5 kgf-cm

### 1320 Main Antenna Cable Reassembly

- “1010 Battery Disassembly” on page 63
- “1020 Mini-PCI cover and Mini-PCI card Disassembly” on page 64
- “1070 Keyboard Disassembly” on page 68
- “1100 Middle Cover Disassembly” on page 71
- “1170 LCD Disassembly” on page 77
- “1270 LCD Bezel Disassembly (14.1”)” on page 90
- “1280 LCD Inverter Disassembly(14.1”)” on page 91
- “1290 LCD Board Disassembly(14.1”)” on page 92
- “1300 LCD Bracket Hinges Disassembly (14.1”)” on page 94

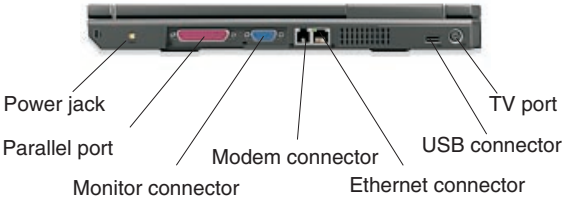


# Locations

## Front View

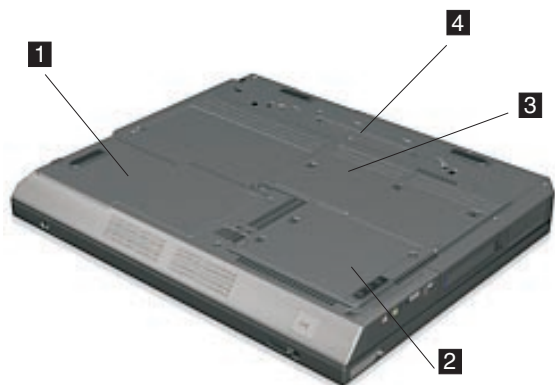


## Rear View





## Bottom View

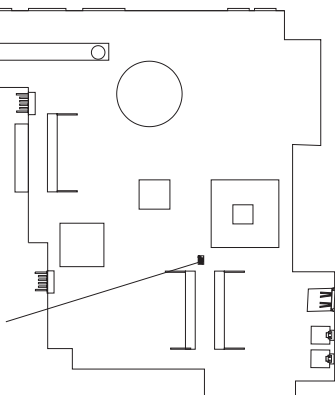


1. Battery pack
2. Memory slot door
3. Mini-PCI Card slot door
4. Docking connector

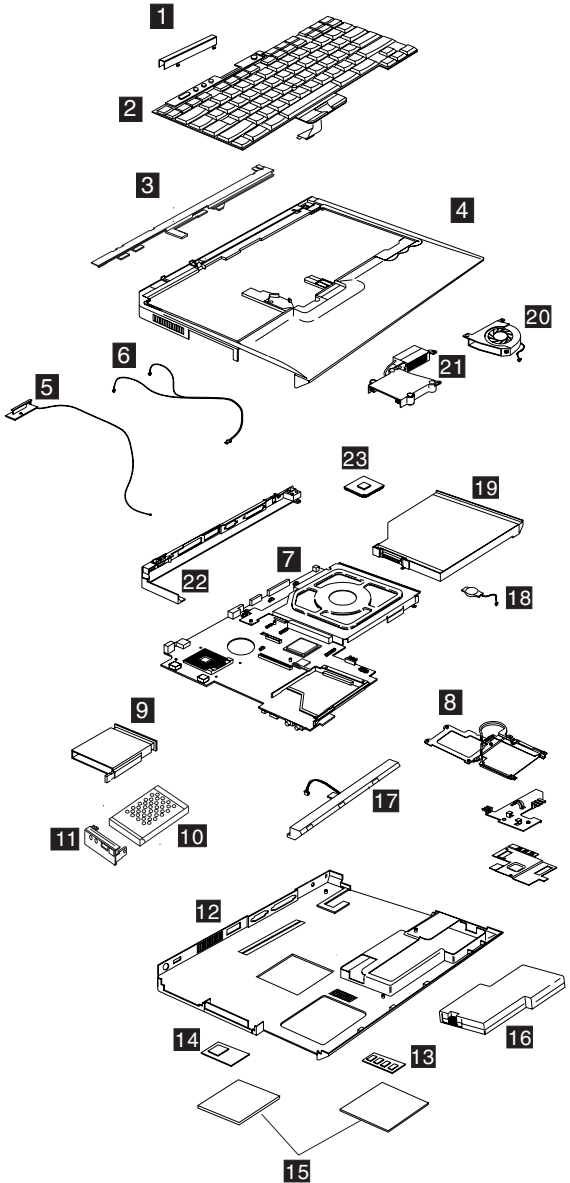
## Switch Locations

### SW2

Pin1	
1 <input type="checkbox"/> 0	1 <input type="checkbox"/> 0
Boot Block Disabled	Boot Block Enabled
Pin2	
1 <input type="checkbox"/> 0	1 <input type="checkbox"/> 0
Check Password Enabled	Check Password Disabled



# Parts list



**Note:** The parts marked with asterisk are CRUs (customer replaceable units.)

There are two levels of CRUs: Tier 1 and Tier 2. Tier 1 CRUs are identified by one asterisk (\*). Tier 2 CRUs are identified by 2 asterisks ( \*\* ).

Tier 1 CRUs are defined as those CRUs that meet the following criteria:

1. No tools required for removal or replacement.  
Exception: Coin, thumb screws are acceptable.
2. Minimal technical expertise required.
3. Minimal Problem Determination is required (less than 5 minutes).

Tier 2 CRUs are defined as those CRUs that meet the following criteria:

1. Some screw/fastener removals.
2. Some technical experience required.
3. Helpcenter assistance may be used.
4. Problem Determination can be done by customers or with Helpcenter assistance.

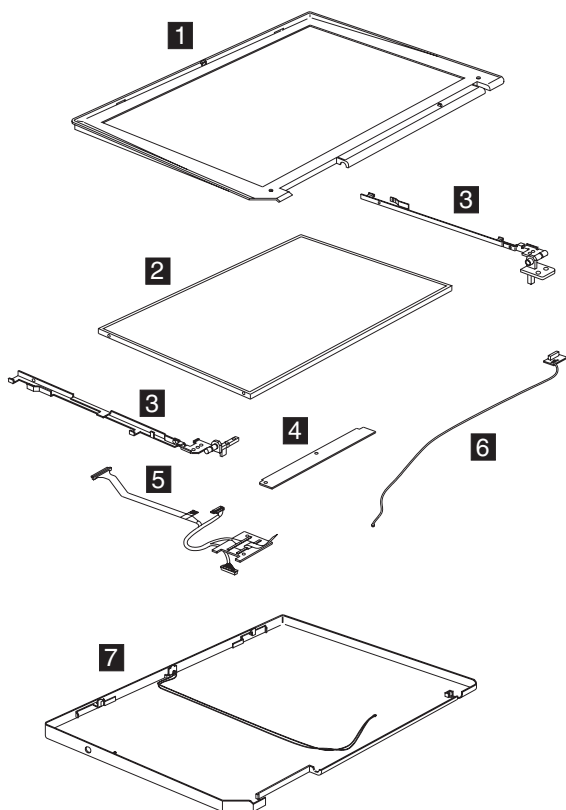
No.	Description	FRU No.
1	Hinge Cap	26P9722
	LG/ IBM Logo Kit	08K5860
3	Middle Cover Asm	46L6509
4	Upper Case-KBD Bezel	46L6508
5	Antenna Kit 13"/14" LCD Antenna R (Aux) 13"/14"	27L0723 46L6324
6	Cable Asm. kit , RJ11 and lid switch	27L0722
7	Planar for Pentium-4M w/o security card, w/o 1394	26P8292
	Planar for Pentium-4M w/ security card, w/ 1394	26P8341
	Planar for Pentium-4M w/o security card, w/1394	26P8291
	Planar for Pentium-4M w/ security card, w/o 1394	26P8343
8	M/B Misc parts kit	46P2586
9	PC Card Slot	46L6530
10	HDD w/tray & screws module IBM Cscard./ 20 GB	08K9761* *
	HDD w/tray & screws module HITACHI Dogwood/ 20GB	08K9763**
	HDD w/tray & screws module IBM Cscard / 30 GB	08K9733**
	HDD w/tray & screws module HITACHI Dogwood/ 30GB	08K9746**

No.	Description	FRU No.
	HDD w/tray & screws module IBM Csacard / 40 GB	08K9742**
	HDD w/tray & screws module HITACHI Dogwood/ 40GB	08K9774**
11	HDD Cover	46L6523
12	Lower Case w/ label W/W	46L6513
	Lower Case w/ label EMEA	46L6514
	Lower Case w/ label IIPC	46L6515
	Lower Case w/ label Korea	46L6516
	Lower Case w/ label Taiwan	46L6517
	Lower Case w/ label W/W-wireless	46L6518
	Lower Case w/ label EMEA-wireless	46L6519
	Lower Case w/ label IIPC-wireless	46L6520
	Lower Case w/ label Korea-wireless	46L6521
	Lower Case w/ label Taiwan	46L6522
13	CARD ASM DDR- 128M	10K0029**
	CARD ASM DDR- 256M	10K0031**
	CARD ASM DDR- 512M	10K0033**
14	Combo 802.11b/Modem	12P3863
	Actiontec Mini-PCI Wireless Card	26P8513
	IBM High Rate Wireless Mini-PCI Adapter	26P8472
15	Mini-PCI / DIMM door kit	46L6524
16	Main Battery Assy. (Li-Ion)	
	Sanyo-W/W	02K7054*
	Sanyo-Japan	02K7058*
	Panasonic-W/W	02K6928*
	Panasonic-Japan	02K7060*
17	Speaker Kit	08K4618
18	RTC Battery(P/N 02K7063)	02K7062
19	CD-ROM Module	
	TEAC (CD-224E-B01)	27L3436*
	LG (CRN-8245B)	27L4301*
	DVD-ROM Module	
	Hitachi (GDR-8081N)	27L4355*
	MKE (SR-8176-MBZ)	27L4351*

No.	Description	FRU No.
	CD—RW Module TEAC (CD-W28E-001)CD—RW / 12XDVD Module KME UJDA720	27L4297* 27L4359*
	FDD External, Unit P/N 05K9282	05K9283*
	Rubber Kit	46L6527
	Mylar Kit	46P2589
	Screw Kit	46L6526
	Base cover Misc parts kit	46P2587
20	FAN asm	46L6507
21	Heat Sink Asm. (w/ thermal pad)	46P2588
22	I/O Bracket	46P2590
23	CPU Intel Pentium-4M 1.7 GHz	26P8449
	CPU Intel Pentium-4M 1.6 GHz	26P8345
	CPU Intel Pentium-4M 1.8 GHz	26P8346

## LCD FRU

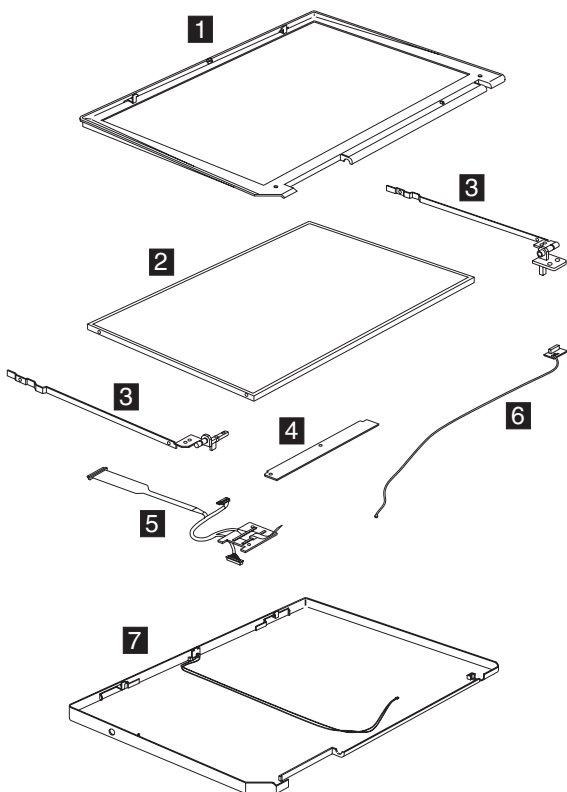
### 13.3-inch TFT:



No.	Description	FRU No.
1	LCD Bezel asm "R32" (13" TFT)	46L6505
2	LCD Panel asm (13" TFT)	11P8212
	Tori-Sanyo	11P8220
	LG	
3	LCD Hinge/Bracket kit (13" TFT)	26P9720
4	LCD Inverter / LED card 14/13" TFT (P/N 26P8140)	26P8139
5	LCD cable Asm. (13" TFT)	27L0721
6	Antenna Kit 13"/14" LCD	27L0723
	Antenna L (Main) 13"/14"	46L6323
7	LCD Rear Cover asm (13/14" TFT)-Wireless	26P9709

No.	Description	FRU No.
	LCD Rear Cover asm (13/14" TFT)	26P9707

#### 14.1-inch TFT:



No.	Description	FRU No.
1	LCD Bezel asm "R32" (14" TFT)	46L6503
2	LCD Panel asm (14" TFT)	05K9888
	DBU	11P8283
	LG/LW	11P8280
	Samsung	
3	LCD Hinge/Bracket kit (14" TFT)	26P9719
4	LCD Invertor / LED card 14/13" TFT (P/N 26P8140)	26P8139
5	LCD cable asm (14" TFT)	27L0720



No.	Description	FRU No.
6	Antenna Kit 13"/14" LCD Antenna L (Main) 13"/14"	27L0723 46L6323
7	LCD Rear Cover asm (13/14" TFT)-Wireless	26P9709
	LCD Rear Cover asm (13/14" TFT)	26P9707

## Keyboard

Description	Vendor	FRU No.
KBD ASM US English	NMB	08K4506**
KBD ASM Canadian French	NMB	08K4508**
KBD ASM German	NMB	08K4510**
KBD ASM UK English	NMB	08K4512**
KBD ASM French	NMB	08K4514**
KBD ASM Dutch	NMB	08K4516**
KBD ASM Swedish/Finnish	NMB	08K4518**
KBD ASM Norwegian	NMB	08K4520**
KBD ASM Danish	NMB	08K4522**
KBD ASM Italian	NMB	08K4524**
KBD ASM European Spanish	NMB	08K4526**
KBD ASM Belgian	NMB	08K4528**
KBD ASM Switzerland	NMB	08K4530**
KBD ASM Portuguese	NMB	08K4532**
KBD ASM Arabic	NMB	08K4534**
KBD ASM Russian	NMB	08K4536**
KBD ASM Hebrew	NMB	08K4538**
KBD ASM Polish	NMB	08K4540**
KBD ASM Turkish	NMB	08K4542**
KBD ASM Czech	NMB	08K4544**
KBD ASM Hungarian	NMB	08K4546**
KBD ASM Greek	NMB	08K4548**
KBD ASM Slovenian	NMB	08K4550**
KBD ASM Slovakian	NMB	08K4552**
KBD ASM Japanese	NMB	08K4554**
KBD ASM Traditional Chinese	NMB	08K4556**
KBD ASM Korean	NMB	08K4558**
KBD ASM La Spanish	NMB	08K4560**
KBD ASM US English	Chicony	08K4562**
KBD ASM Canadian French	Chicony	08K4564**
KBD ASM German	Chicony	08K4566**

<b>Description</b>	<b>Vendor</b>	<b>FRU No.</b>
KBD ASM UK English	Chicony	08K4568**
KBD ASM French	Chicony	08K4570**
KBD ASM Dutch	Chicony	08K4572**
KBD ASM Swedish/Finnish	Chicony	08K4574**
KBD ASM Norwegian	Chicony	08K4576**
KBD ASM Danish	Chicony	08K4578**
KBD ASM Italian	Chicony	08K4580**
KBD ASM European Spanish	Chicony	08K4582**
KBD ASM Belgian	Chicony	08K4584**
KBD ASM Switzerland	Chicony	08K4586**
KBD ASM Portuguese	Chicony	08K4588**
KBD ASM Arabic	Chicony	08K4590**
KBD ASM Russian	Chicony	08K4592**
KBD ASM Hebrew	Chicony	08K4594**
KBD ASM Polish	Chicony	08K4596**
KBD ASM Turkish	Chicony	08K4598**
KBD ASM Czech	Chicony	08K4600**
KBD ASM Hungarian	Chicony	08K4602**
KBD ASM Greek	Chicony	08K4604**
KBD ASM Slovenian	Chicony	08K4606**
KBD ASM Slovakian	Chicony	08K4608**
KBD ASM Japanese	Chicony	08K4610**
KBD ASM Traditional Chinese	Chicony	08K4612**
KBD ASM Korean	Chicony	08K4614**
KBD ASM La Spanish	Chicony	08K4616**

## Common parts list

### Tools:

<b>Description</b>	<b>FRU No.</b>
Tri-Connector Wrap Plug	72X8546
PC Test Card	35G4703
Audio Wrap Cable	66G5180
USB Parallel Test Cable	05K2580
Screwdriver Kit	95F3598
5mm Socket Wrench	05K4694
Screwdriver	27L8126
Wireless Antenna Connector Tool	08K7159
ThinkPad hardware maintenance diskette version 1.07	

**Note:** The data may look the same with the sample hmm but the diskette version is different. There is no FRU number for ThinkPad hardware maintenance diskette.

**Telephone cable:**

Description	FRU No.
Telephone cable (US/ CAN/ TWN/ APS/ LA/ BRZL)	27L0465*
Telephone cable (UK/ IR/ NZ)	27L0442*
Telephone cable (GERMANY)	27L0441*
Telephone cable (ITALY)	27L0448*
Telephone cable (FRANCE)	27L0443*
Telephone cable (DK/ DE/ PO)	27L0447*
Telephone cable (SW/ SU)	27L0445*
Telephone cable (FI/ NO/ NS)	27L0446*
Telephone cable (AUSTRALIA)	27L0467*
Telephone cable (ND/ NU)	27L0444*
Telephone cable (SF/ SI/ SG/ SE)	27L0462*
Telephone cable (BE/ BK/ BS/ BD/ BF)	27L0451*
Telephone cable (AUSTRIA)	27L0449*
Telephone cable (SPAIN)	27L0450*

**AC adapter:**

Description	FRU No.
AC Adapter, 72W 3-pins (ASTEC)	02K6751*
AC Adapter, 72W 3-pins (Delta)	02K6754*
AC Adapter, 72W 2-pins (Delta)	02K6756*
AC Adapter, 72W 2-pins (ASTEC)	02K6753*

**Power cords:** IBM power cords for a specific country are usually available only in that country.

**For 2-pin power cords:**

IBM power cord part number	Used in these countries or regions
13H5264*	Canada, U.S.A.
13H5273*	Japan
36L8870*	Argentina
49P2095*	Brazil

For 3-pin power cords:

**Note:** The grounded adapter is required for full MPRII compliance. If a 3-pin power cord came with your computer, see “Safety Information” on page 11.

<b>IBM power cord part number</b>	<b>Used in these countries or regions</b>
76H3514*	Australia, New Zealand
76H3516*	Taiwan, Thailand
76H3530*	Italy
76H3520*	Denmark
76H3524*	UK, Hong Kong
76H3518*	European Countries
76H3522*	South Africa, India
76H3532*	Israel
76H3535*	Korea
02K0539*	China (P.R.C.)
76H3528*	Switzerland

### Recovery CD List:

Description	FRU No.	MODELS
Recovery CD Win-XP Pro (US/CA/AP)	32P7780	2677–CFU, CGU: 2659–BPU, BQU, CFU, CGU, CHU
Recovery CD Win-XP Pro (US/CA/AP)	32P7780	2658–BPU, BQU, CFU, CGU, CHU, A5U, A6U, A7U, A8U, A9U, AAU, BKU, CRU, CSU, CTU
Recovery CD Win-XP Pro (US/CA/AP)	32P7780	2677–CFH, CGH: 2659–BPH, BQH, CFH, CGH, CHH: 2658–BPH, BQH, CFH, CGH, CHH, BDH, BJH, CVH
Recovery CD Win-XP Pro (US/CA/AP)	32P7780	2677–CFM, CGM: 2659–BPM, BQM, CFM, CGM, CHM
Recovery CD Win-XP Pro (US/CA/AP)	32P7780	2658–BPM, BQM, CFM, CGM, CHM, A5M, A9M, BCM, BUM, BLM, BVM, CPM, CTM
Recovery CD Japan-XP Pro	62P8864	2677–CFJ, CGJ: 2659–BPJ, BQJ, CFJ, CGJ, CHJ: 2658–BPJ, BQJ, CFJ, CGJ, CHJ, BGJ, BRJ, BTJ

Recovery CD Win-XP Pro (LA-BR)	32P7784	2677-CFG, CGG: 2659-BPG, BQG, CFG, CGF, CHG: 2658-BPG, BQG, CFG, CGG, CHG, BAG, BJG, CMG, CNG, CUG
Recovery CD Win-XP Pro (LA-BR)	32P7784	2677-CFP, CGP: 2659-BPP, BQP, CFP, CGP: 2658-BPPS, BQP, CFP, CGP, A5P, CRP, CTP
Recovery CD Win-XP Pro (DK)	32P7785	2677-CFG, CGG: 2659-BPG, BQG, CFG, CGF, CHG: 2658-BPG, BQG, CFG, CGG, CHG, BAG, BJG, CMG, CNG, CUG

Recovery CD Win-XP Pro (FR)	32P7786	2677-CFG, CGG: 2659-BPG, BQG, CFG, CGF, CHG: 2658-BPG, BQG, CFG, CGG, CHG, BAG, BJG, CMG, CNG, CUG
Recovery CD Win-XP Pro (FR)	32P7786	2677-CFF, CGF: 2659-BPF, BQF, CFF, CGF, CHF: 2658-BPS, BQS, CFS, CGF, CHF, SSF, CLF, CTF
Recovery CD Win-XP Pro (GR)	32P7787	2677-CFG, CGG: 2659-BPG, BQG, CFG, CGF, CHG: 2658-BPG, BQG, CFG, CGG, CHG, BAG, BJG, CMG, CNG, CUG
Recovery CD Win-XP Pro (SP)	32P7788	2677-CFG, CGG: 2659-BPG, BQG, CFG, CGF, CHG: 2658-BPG, BQG, CFG, CGG, CHG, BAG, BJG, CMG, CNG, CUG
Recovery CD Win-XP Pro (SP)	32P7788	2677-CFS, CGS: 2659-BPS, BQS, CFS, CGS: 2658-BPS, BQS, CFS, CGS, A5S, CRS, CTS
Recovery CD Win-XP Pro (SP)	32P7788	2677-CFX, CGX: 2659-BPX, BQX, CFX, CGX: 2658-BPX, BQX, CFX, CGX, A5X, CRX, CTX

Recovery CD Win-XP Pro (SV)	32P7789	2677–CFG, CGG: 2659–BPG, BQG, CFG, CGF, CHG: 2658–BPG, BQG, CFG, CGG, CHG, BAG, BJG, CMG, CNG, CUG
Recovery CD Win-XP Pro (IT)	32P7790	2677–CFG, CGG: 2659–BPG, BQG, CFG, CGF, CHG: 2658–BPG, BQG, CFG, CGG, CHG, BAG, BJG, CMG, CNG, CUG
Recovery CD Win-XP Pro (FI)	32P7791	2677–CFG, CGG: 2659–BPG, BQG, CFG, CGF, CHG: 2658–BPG, BQG, CFG, CGG, CHG, BAG, BJG, CMG, CNG, CUG
Recovery CD Win-XP Pro (NI)	32P7792	2677–CFG, CGG: 2659–BPG, BQG, CFG, CGF, CHG: 2658–BPG, BQG, CFG, CGG, CHG, BAG, BJG, CMG, CNG, CUG
Recovery CD Win-XP Pro (NO)	32P7793	2677–CFG, CGG: 2659–BPG, BQG, CFG, CGF, CHG: 2658–BPG, BQG, CFG, CGG, CHG, BAG, BJG, CMG, CNG, CUG
Recovery CD Win2000 (US/ CA/ AP)	32P7575	2659–BMU, BNU: 2658–BMU, BNU, A2U, C4UC5U
Recovery CD Win2000 (US/ CA/ AP)	32P7575	2659–BMH, BNH: 2658–BMH, BNH
Recovery CD Win2000 (US/ CA/ AP)	32P7575	2659–BMM, BNM: 2658–BMM, BNM
Recovery CD Win2000 (US/ CA/ AP)	32P7575	2659–BMA, BNA: 2658–BMA, BNA, C2A, C3A
Recovery CD Win2000 (LA-BR)	32P7579	2659–BMG, BNG: 2658–BMG, BNG, C2G, C3G
Recovery CD Win2000 (LA-BR)	32P7579	2659–BMP, BNP: 2658–BMP, BNP
Recovery CD Win2000 (DK)	32P7580	2659–BMG, BNG: 2658–BMG, BNG, C2G, C3G
Recovery CD Win2000 (FR)	32P7581	2659–BMG, BNG: 2658–BMG, BNG, C2G, C3G

Recovery CD Win2000 (FR)	32P7581	2659-BMF, BNF: 2658-BMF, BNF, A2F, C4F, C5F
Recovery CD Win2000 (GR)	32P7582	2659-BMG, BNG: 2658-BMG, BNG, C2G, C3G
Recovery CD Win2000 (SP)	32P7583	2659-BMG, BNG: 2658-BMG, BNG, C2G, C3G
Recovery CD Win2000 (SP)	32P7583	2659-BMX, BNX: 2658-BMX, BNX
Recovery CD Win2000 (SP)	32P7583	2659-BMS, BNS: 2658-BMS, BNS
Recovery CD Win2000 (SV)	32P7584	2659-BMG, BNG: 2658-BMG, BNG, C2G, C3G
Recovery CD Win2000 (IT)	32P7585	2659-BMG, BNG: 2658-BMG, BNG, C2G, C3G
Recovery CD Win2000 (FI)	32P7586	2659-BMG, BNG: 2658-BMG, BNG, C2G, C3G
Recovery CD Win2000 (NL)	32P7587	2659-BMG, BNG: 2658-BMG, BNG, C2G, C3G
Recovery CD Win2000 (NO)	32P7588	2659-BMG, BNG: 2658-BMG, BNG, C2G, C3G
Recovery CD Japan-Win2000 (JP)	62P8861	2659-BMJ, BNJ: 2658-BMJ, BNJ, A3J, BHJ, BSJ
Recovery CD Win XP Home (US/ CA/ AP)	32P7678	2658-A4U, C6U, CCU, CDU
Recovery CD Win XP Home (US/ CA/ AP)	32P7678	2658-A4A, ABA, B5A, B6A
Recovery CD Win XP Home (US/ CA/ AP)	32P7678	2658-C6M
Recovery CD Win XP Home (LA-BR)	32P7682	2658-B2G, B3G
Recovery CD Win XP Home (LA-BR)	32P7682	2658-A4P, C6P, CCP, CDP
Recovery CD Win XP Home (DK)	32P7683	2658-B2G, B3G
Recovery CD Win XP Home (FR)	32P7684	2658-B2G, B3G
Recovery CD Win XP Home (GR)	32P7685	2658-B2G, B3G
Recovery CD Win XP Home(SP)	32P7686	2658-B2G, B3G

Recovery CD Win XP Home(SP)	32P7686	2658–A4S, C6S, CCS, CDS
Recovery CD Win XP Home(SP)	32P7686	2658–A4X, C6X, CCX, CDX
Recovery CD Win XP Home (SV)	32P7687	2658–B2G, B3G
Recovery CD Win XP Home (IT)	32P7688	2658–B2G, B3G
Recovery CD Win XP Home (FI)	32P7689	2658–B2G, B3G
Recovery CD Win XP Home (NL)	32P7690	2658–B2G, B3G
Recovery CD Win XP Home (NO)	32P7691	2658–B2G, B3G

## Option Parts List

### Battery charges:

Description	FRU No.
Main Battery Li-Ion Option—W/W	02K7052*
Main Battery Li-Ion Sanyo—W/W	02K7055*
Main Battery Li-Ion Panasonic—W/W	02K7057*
Main Battery Li-Ion Option—Japan	02K7053*
Main Battery Li-Ion Sanyo—Japan	02K7059*
Main Battery Li-Ion Panasonic—Japan	02K7061*

### Ultrabay devices:

Description	FRU No.
CD-RW/ DVD Combo II (KME)	27L4359*
CD-RW/ DVD Combo II (TEAC)	08K9785*
8X/ 4X/ 24X Max CD-RW (TEAC)	08K9644*
Ultralight 8X DVD-ROM (MKE)	27L4351*
Ultralight 8X DVD-ROM (HLDS)	27L4355*
24X-10X CD-ROM (HLDS)	27L4301*
24X-10X CD-ROM (TEAC)	27L3436*
Diskette drive (TEAC)	08K9606*
Diskette drive (SONY)	08K9607*
SuperDisk drive (LS240)	08K9615*
ZIP—250 drive	00N8254*
2nd HDD adapter	08K6067*
Ultrabay Plus device carrier	26P9388*
Ultrabay Plus numeric keypad	19K2056*
Ultrabay Plus cradle for WorkPad c500 series	26P9389*



---

## ThinkPad R32 Series Part II

This section applies to the following models: 2677–BZX, 2659–CHX, 2659–BZX, 2658–CHX, 2658–BZX, 2658–DFX, 2658–G2X, 2658–G3X.

## Product overview

The following shows an overview of the system features.

Feature	Description
Processor	Intel Pentium-4M–1.6GHz/1.7GHz/ 1.8GHz Intel
Chip set	Intel Brookdale (845MP)
Bus architecture	Host bus 64 bits 266 MHz, PCI 32 bits/33 MHz, ISA 16 bits/8.33MHz, PCMCIA 16 bits/33 MHz, Cardbus 32 bits/32 MHz
System memory	Two DDR DIMM Slots support 128MB, 256MB, and 512MB DIMM card, up to Max. 1GB  Maximum frequency: PC 266 MHz  Maximum size: 1024 MB
CMOS RAM	256 bytes
Video	ATI M6C graphics integrated V-RAM chip (8MB/16MB)  14.1– inch, 32 bit true colors, 1024X768 pixel TFT XGA color LCD
Video memory	8/16MB V-RAM in video chip
LCD(Bright Ctrl)	13.3" TFT (XGA)/ 14.1" TFT (XGA) (KBD)
Audio	AC97 audio based on the Intel ICH3 AC link DMA engine  16– bit audio  Internal stereo speakers
Floppy Diskette drive (By model)	USB FDD External 1.44MB, 3.5 inch floppy drive via USB interface (Bootable)
Hard disk drive- Upgradable	20GB, 30GB or 40GB, 2.5–inch 9.5mm height, E-IDE interface
Ultrabay Plus	24X CD/ 8X DVD/ 8X, 4X, 24X Max CD-RW/ CD-RW- DVD (Combo)/ Bay Battery support, NEATS
Modem	V.90 Soft modem (MDC) Integrated CDC soft modem on the Intel ICH3 AC link DMA engine 56 Kbps Data /Fax Modem.
Ethernet	Intel Ethernet LOM
IEEE 1394 (on planar)	On planar (Pop/ Depop) Ti TSB43AB21 1394 controller on board  IEEE 1394.a 4-pin connector –no cable power 100 Mbps, 200 Mbps and 400 Mbps.
CDC	One CDC slot (MDC)





<b>Feature</b>	<b>Description</b>
Mini-PCI	One Mini-PCI slot (802. 11b)
Antenna (By Model)	Yes
PC Card (PCMCIA)	T2x1 or T3x1 (Cardbus w/o ZV Port) Two Type I/II or oneType III
ThinkLight	Yes
IR	Yes
I/O ports	External monitor  Parallel  CRT  Two USB  Headphone  Mic-in  Speaker-out  Telephone (RJ11)  LAN (RJ45)  TV-out (S-Video)  Docking (for port Replicator)  DC-in  IEEE 1394 port (IEEE 1394 mode only)
Security chip support	TCPA Security
Power	72-Watt AC Adapter  8-cell Li-Ion Intelligent Battery Pack
BIOS	IBM BIOS


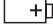

## **Status indicators**

The system-status indicators on the computer show the current status of your computer by their on or off states and colors (green and orange). Each indicator is identified with a symbol. The following shows the location and the

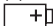

meaning of each icon:



Symbol	Color	Meaning
(1) Drive in use 	Green	Data is being read from or written to the hard disk. Do not enter standby mode or power off the computer when this indicator is on.
(2) Numeric lock 	Green	The numeric keypad on the keyboard is enabled. You enable or disable the keypad by pressing and holding the <b>Shift</b> key, and pressing the <b>NumLk</b> key. For details, see the <i>User's Reference</i> .
(3) Caps lock 	Green	Caps Lock mode is enabled. All alphabetic characters (A-Z) are entered in capital letters without the <b>Shift</b> key being pressed. You enable or disable the Caps Lock mode by pressing the <b>Caps Lock</b> key.
(4) Scroll lock 	Green	Scroll Lock mode is enabled. The <b>Arrow</b> keys can be used as screen-scroll function keys. The cursor cannot be moved with the <b>Arrow</b> keys. <i>Not all application programs support this function.</i> You enable or disable Scroll Lock mode by pressing the <b>ScrLk</b> key.

Symbol	Color	Meaning
(5) Power on 	Green	The computer is operational. This indicator is on when the computer is on.
(6) Battery status 	Green	Enough battery power remains for operation.
	Blinking green	The battery power charges up to 80% full power
	Blinking orange	The battery pack needs to be charged
	Orange	The battery pack is being charged.
(7) Standby mode 	Green	The computer is in standby mode



Symbol	Color	Meaning
(1) Battery status 	Green	Enough battery power remains for operation.
	Blinking green	The battery power charges up to 80% full power
	Blinking orange	The battery pack needs to be charged
	Orange	The battery pack is being charged.
(2) Standby mode 	Green	The computer is in standby mode

## FRU tests

The following table shows the applicable test for each FRU using PC-Doctor.

FRU	Applicable test
System board	<ol style="list-style-type: none"><li>1. CPU/Coprocessor (<b>Diagnostics</b>)</li><li>2. System board (<b>Diagnostics</b>)</li></ol>
Power	Battery ( <b>Diagnostics</b> )
LCD unit	<ol style="list-style-type: none"><li>1. Video Adapter (<b>Diagnostics</b>)</li><li>2. Video (<b>Interactive Tests</b>)</li></ol>
Modem	<ol style="list-style-type: none"><li>1. Make sure the modem set up correctly.</li><li>2. Replacing the modem jack and modem card one at a time, run the modem tests in Other Devices (<b>Diagnostics</b>)</li></ol>
Audio	Internal Speaker ( <b>Interactive Tests</b> )  Stereo Speaker ( <b>Interactive Tests</b> )
Speaker	System beeper: Internal Speaker ( <b>Interactive Tests</b> )
PC Card slots	System board ( <b>Diagnostics</b> )
Keyboard	<ol style="list-style-type: none"><li>1. Keyboard (<b>Diagnostics</b>)</li><li>2. Keyboard (<b>Interactive Tests</b>)</li></ol>
TrackPoint or Pointing device	<p>If the TrackPoint does not work, see if an external PS/2 mouse is connected to the mouse/keyboard connector and remove it. The TrackPoint is automatically disabled if an external PS/2 mouse is attached. Check also if the TrackPoint driver is correctly installed by accessing Windows Device Manager via the System icon in the Control Panel.</p> <p>After you use the TrackPoint, the pointer drifts on the screen for a short time. This self-acting pointer movement can occur when a slight, steady pressure is applied to the TrackPoint pointer. This symptom is not a hardware problem. No service actions are necessary if the pointer movement stops in a short period of time.</p> <p>If this does not correct the TrackPoint problem, continue with the following: Mouse (<b>Interactive Tests</b>).</p>
Hard disk drive	Fixed Disks ( <b>Diagnostics</b> )
CD-ROM drive	CD-ROM, DVD, CD-RW, DVD/CD-RW ( <b>Interactive Tests</b> )

FRU	Applicable test
Memory	<ol style="list-style-type: none"> <li>1. If a DIMM is installed, remove it and run Memory Test-Quick (<b>Diagnostics</b>)</li> <li>2. If the problem does not recur, replace the DIMM and run the test again.</li> <li>3. If the test does not detect the error, run Memory Test-Full (<b>Diagnostics</b>)</li> </ol>
Fan	<ol style="list-style-type: none"> <li>1. Power on system and check the air turbulence at the louver at the rear of the computer.</li> <li>2. Run the fan test in Other Devices (<b>Diagnostics</b>).</li> </ol>

## FRU removals and replacements

This section contains information about removals and replacements.

- Do not damage any parts. Only certified and trained personnel should service the computer.
- The arrows in this section show the direction of movement to remove a FRU, or to turn a screw to release the FRU. The arrows are marked in numeric order, in square callout, to show the correct sequence of removal.
- Any FRUs that must be removed before removing the failing FRU are listed at the top of the page.
- To replace a FRU, reverse the removal procedure and follow any notes that pertain to replacement. See “Locations” on page 98 for internal cable connections and arrangement information.
- When replacing a FRU, use the correct screw size, as shown in the procedure.

### Safety Notice 1

Translations in “Safety Notices (Multi-lingual Translations)” section: Before the computer is powered-on after FRU replacement, make sure all screws, springs, or other small parts are in place and are not left loose inside the computer. Verify this by shaking the computer and listening for rattling sounds. Metallic parts or metal flakes can cause electrical shorts.

### Safety Notice 3

Translations in “Safety Notices (Multi-lingual Translations)” section: The battery pack contains small amounts of nickel. Do not disassemble it, throw it into fire or water, or short-circuit it. Dispose of the battery pack as required by local ordinances or regulations. Use only the battery in the appropriate parts listing when replacing the battery pack. Use of an incorrect battery can result in ignition or explosion of the battery.



### Safety Notice 8

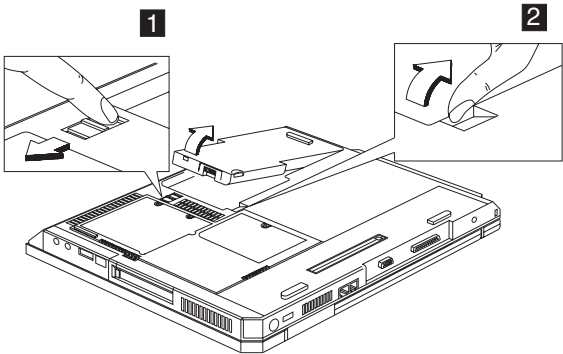
Translations in "Safety Notices (Multi-lingual Translations)" section: Before removing any FRU, power-off the computer, unplug all power cords from electrical outlets, remove the battery pack, then disconnect any interconnecting cables.

**Attention:** The system board is sensitive and can be damaged by electronic discharge. Establish personal grounding by touching a ground point with one hand before touching these units.

An electrostatic discharge (ESD) strap (P/N: 6405959) must be used to establish personal grounding.

**Note:** When disassembling the computer, please follow the numerical and alphabetical orders such as 1a, 1b, 1c, 1d, 2, 3, 4. Please note that when you assemble the computer, the sequence marked in number and alphabets should be reversed, for instance, 4, 3, 2, 1d, 1c, 1b, 1a.

## 1010 Battery Disassembly



### Warning

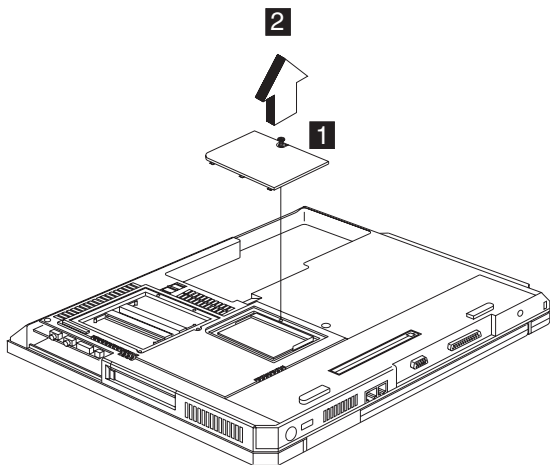
Battery packs are capable of delivering high currents for a significant amount of time. Do not short the battery terminals.

### CAUTION:

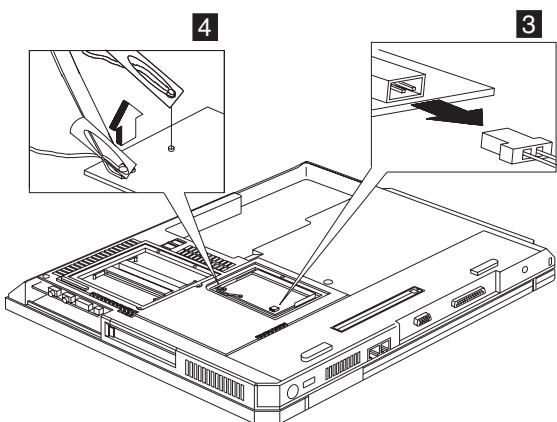
**Danger of explosion if battery is incorrectly replaced. Replace only with the same or equivalent type recommended by the manufacturer. Dispose of used batteries according to the manufacturer's instructions.**

## 1020 Mini-PCI cover and Mini-PCI card Disassembly

- “1010 Battery Disassembly” on page 123

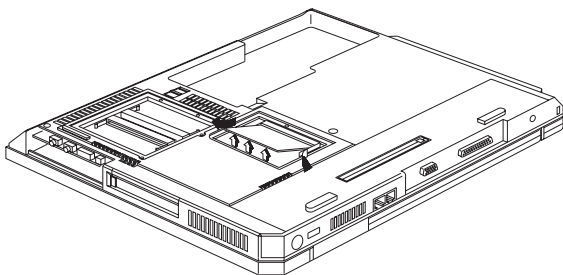


**Note:** The screw does not separate from the PCI cover.



**Note:** There are 2 cables on step 4 : The gray cable is the main antenna and the black cable is the auxiliary antenna. There is no step 3 if the Mini-PCI card is not stalled, then this cable will be connected to the

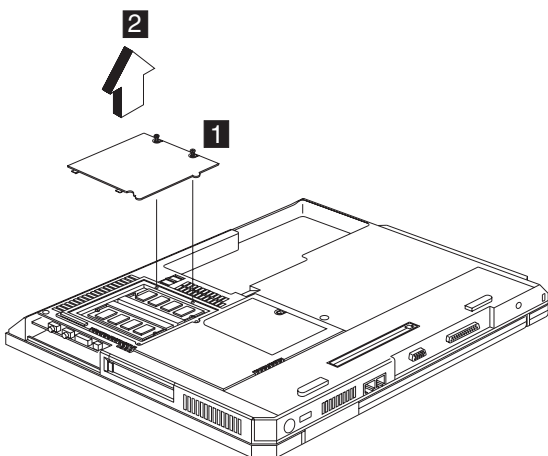
CDC card.



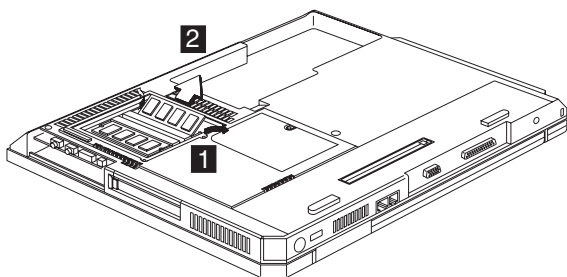
**Note:** When you install the PCI card, remember to insert it into its socket at 20°, press it down and ensure the connection is well.

## 1030 Memory cover and Memory card Disassembly

- “1010 Battery Disassembly” on page 123

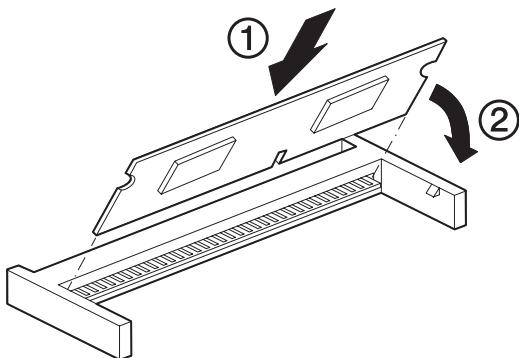


**Note:** The screws do not separate from the memory cover.

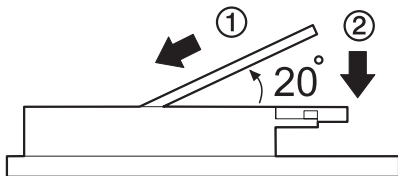


To install the memory card:

With the notched end of the memory card toward the right side of the socket, insert the memory card, at an angle of approximately 20°, into the socket; then press it firmly. Pivot the memory card until it snaps into place.

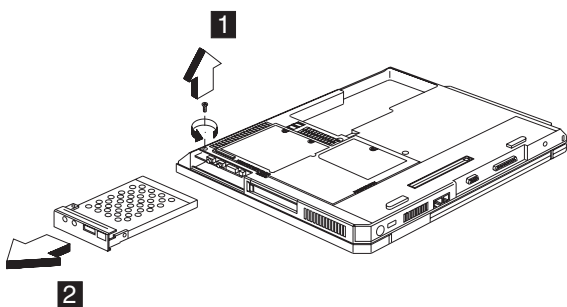


Side View



## 1040 Hard Disk Drive Disassembly

- “1010 Battery Disassembly” on page 123



Step	Size (Quantity)	Color	Torque
1	M3 x L3.5 (1)	Black	3.2 kgf-cm

### Warning

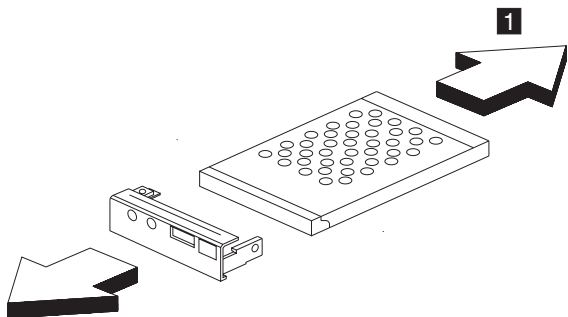
Do not drop or apply any shock to the hard disk drive. The hard disk drive is sensitive to physical shock. Incorrect handling can cause damage and permanent loss of data on the drive.

Before removing the drive, have the user make a backup copy of all the information on the drive if possible.

Never remove the drive while the system is operating or is in suspend mode.

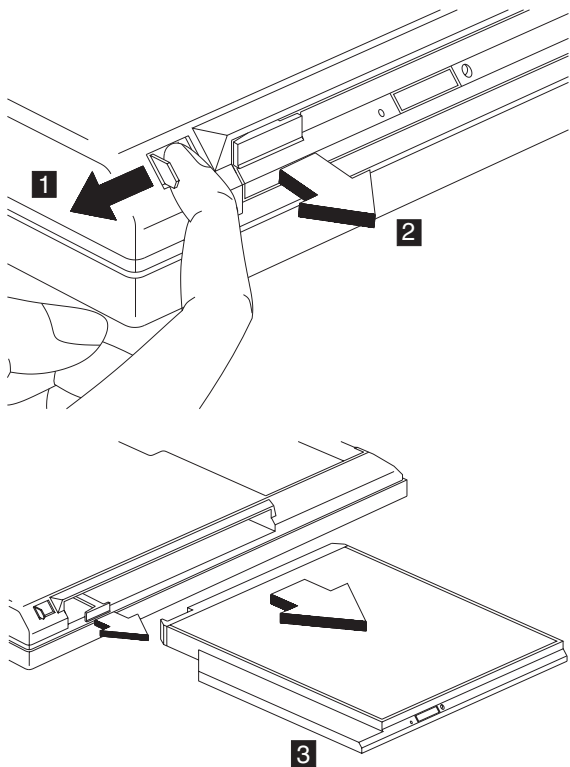
## 1050 Hard Disk Drive Cover Disassembly

- “1010 Battery Disassembly” on page 123



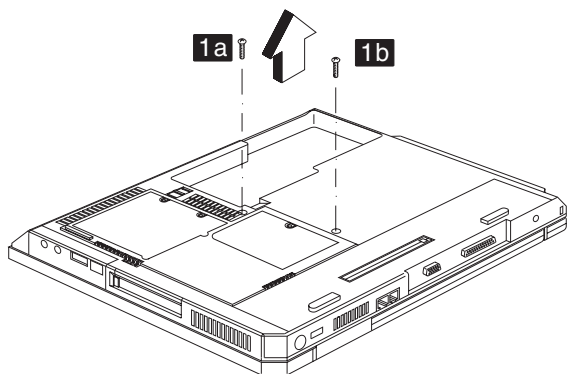
## 1060 CD-ROM Disassembly

- “1010 Battery Disassembly” on page 123

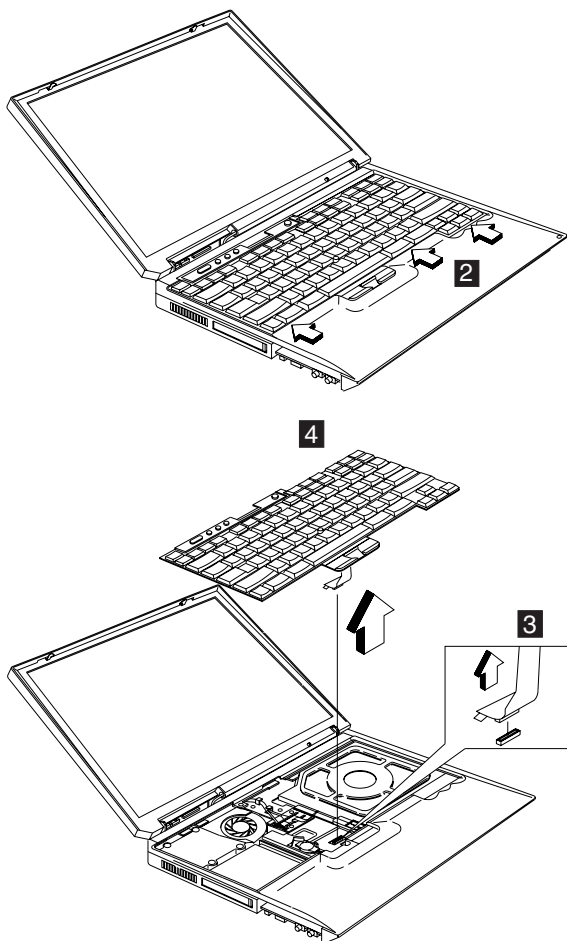


## 1070 Keyboard Disassembly

- “1010 Battery Disassembly” on page 123



Step	Size (Quantity)	Color	Torque
1	M2.5 x L10 (2)	Black	3.2 kgf-cm

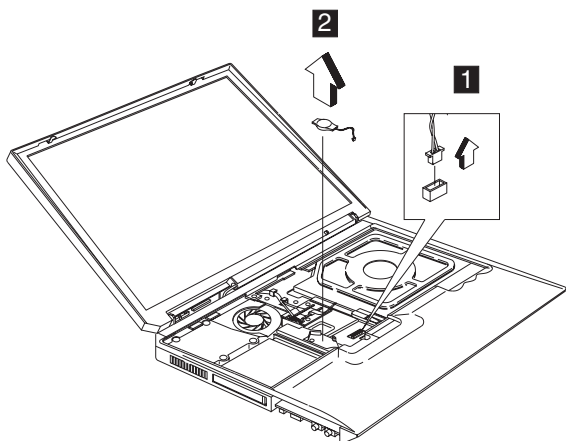


#### Notes:

1. When replacing the keyboard, make sure that the cable is clean and insert it directly into the connector, making sure it makes contact with the bottom of the connector.
2. If the cable do not touch the bottom of the connector, the keyboard function will be rendered useless.
3. The cable of the keyboard are fragile and could be damaged. Be careful when pulling out the cable.

#### 1080 Backup Battery Disassembly

- “1010 Battery Disassembly” on page 123
- “1070 Keyboard Disassembly” on page 128



**CAUTION:**

**Danger of explosion if battery is incorrectly replaced. Replace only with the same or equivalent type recommended by the manufacturer. Dispose of used batteries according to manufacturer's instruction.**

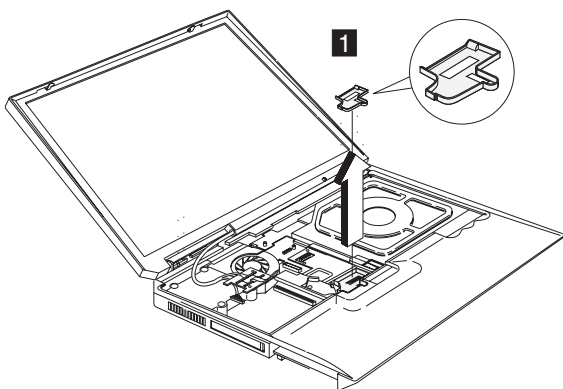
**Safety Notice 4**

Translation in "Safety Notices: Multi-lingual Translations" section: The backup battery is a lithium battery and can cause a fire, an explosion, or severe burns. Do not recharge it, remove its polarized connector, disassemble it, heat it above 100°C (212°F), incinerate it, or expose its cell contents to water. Dispose of the battery as required by local ordinances or regulations. Use of an incorrect battery can result in ignition or explosion of the battery. Replacement batteries can be ordered from IBM or IBM Authorized Dealers.

**1090 Safety Cover Disassembly**

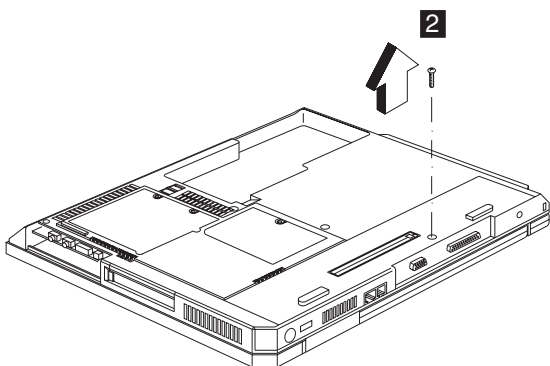
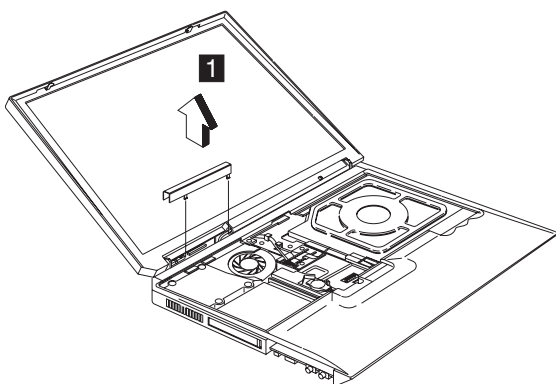
- "1010 Battery Disassembly" on page 123
- "1070 Keyboard Disassembly" on page 128

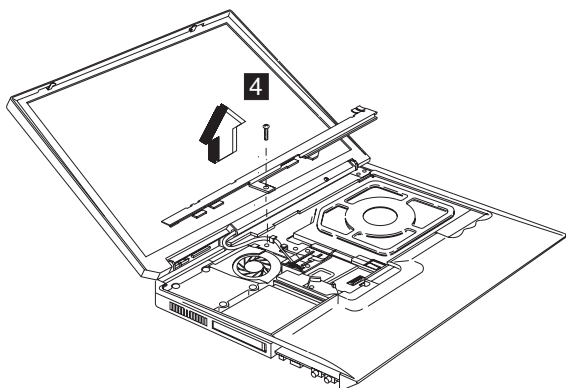




## 1100 Middle Cover Disassembly

- “1010 Battery Disassembly” on page 123
- “1070 Keyboard Disassembly” on page 128

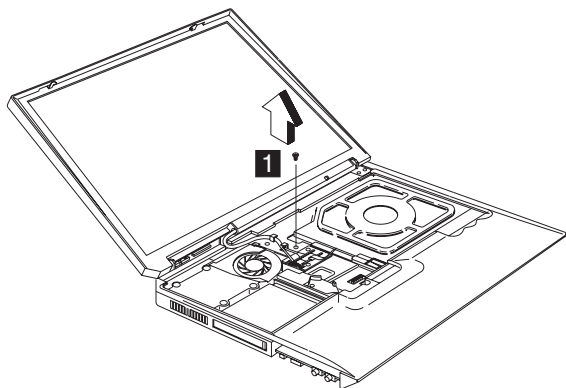




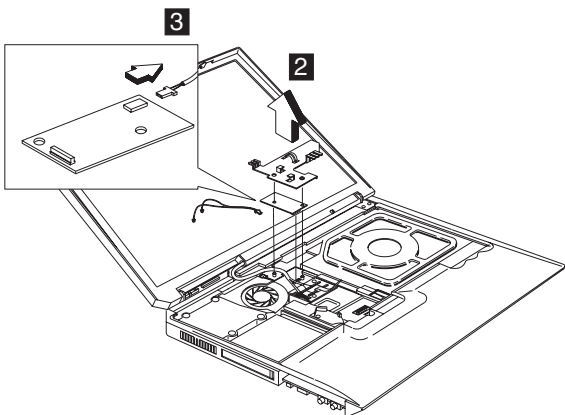
Step	Size (Quantity)	Color	Torque
2	M2.5 x L10 (1)	Black	3.2 kgf-cm
4	M2.5 x L5 (1)	Silver	2.5 kgf-cm

## 1110 CDC Cover Disassembly

- “1010 Battery Disassembly” on page 123
- “1020 Mini-PCI cover and Mini-PCI card Disassembly” on page 124
- “1070 Keyboard Disassembly” on page 128
- “1100 Middle Cover Disassembly” on page 131



Step	Size (Quantity)	Color	Torque
1	M2.5 x L5 (1)	Silver	2.5 kgf-cm

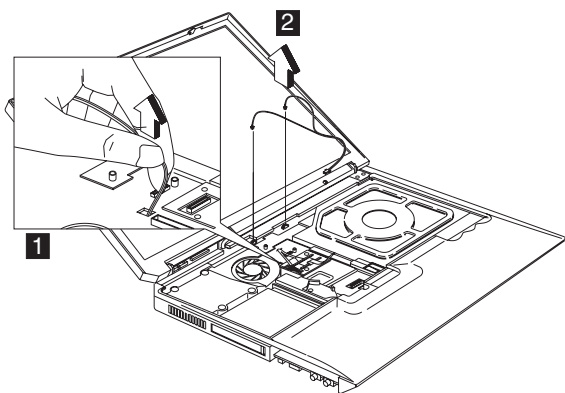


**Notes:**

1. If the Thinkpad R32 products are equipped with the Mini-PCI card, then the CDC modem card will not be installed. The procedure of "cdc-card" referred above should be skipped.

**1120 Modem Cable Disassembly (Without CDC Modem Card)**

- "1010 Battery Disassembly" on page 123
- "1020 Mini-PCI cover and Mini-PCI card Disassembly" on page 124
- "1070 Keyboard Disassembly" on page 128
- "1100 Middle Cover Disassembly" on page 131
- "1110 CDC Cover Disassembly" on page 132



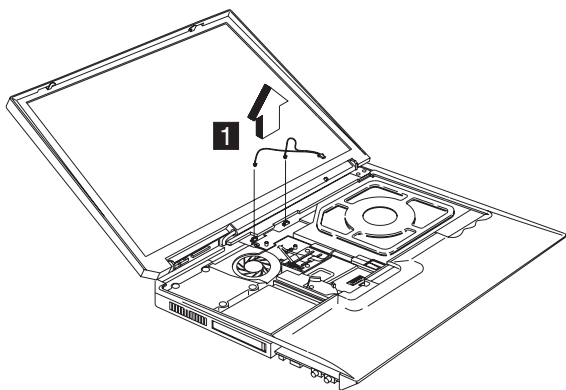
**Notes:**

1. If the Thinkpad R32 products are equipped with the Mini-PCI card, the CDC modem card will not be

installed. The modem cable will then be connected to the Mini-PCI card. Refer to "Mini-PCI card" disassembly procedure to disconnect the modem cable.

## 1130 Modem Cable Disassembly (With CDC Modem Card)

- "1010 Battery Disassembly" on page 123
- "1070 Keyboard Disassembly" on page 128
- "1100 Middle Cover Disassembly" on page 131
- "1110 CDC Cover Disassembly" on page 132

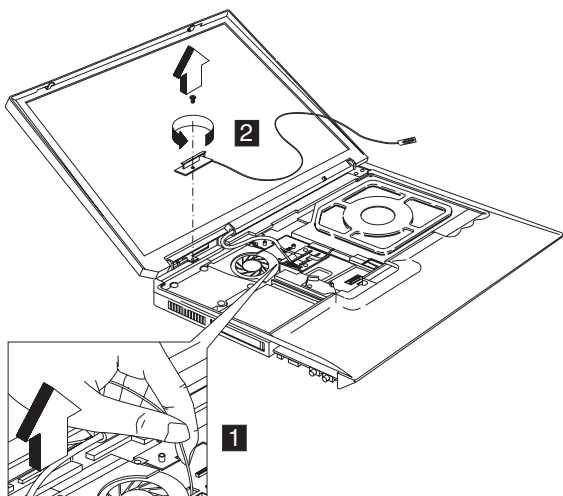


### Notes:

1. If the Thinkpad R32 products are equipped with the CDC modem card, the wireless LAN board will not be installed. The modem cable will then be connected to the CDC modem card. Refer to "CDC modem card" disassembly procedure to disconnect the modem cable.

## 1140 Auxiliary Antenna Disassembly

- "1010 Battery Disassembly" on page 123
- "1020 Mini-PCI cover and Mini-PCI card Disassembly" on page 124
- "1070 Keyboard Disassembly" on page 128
- "1100 Middle Cover Disassembly" on page 131
- "1110 CDC Cover Disassembly" on page 132

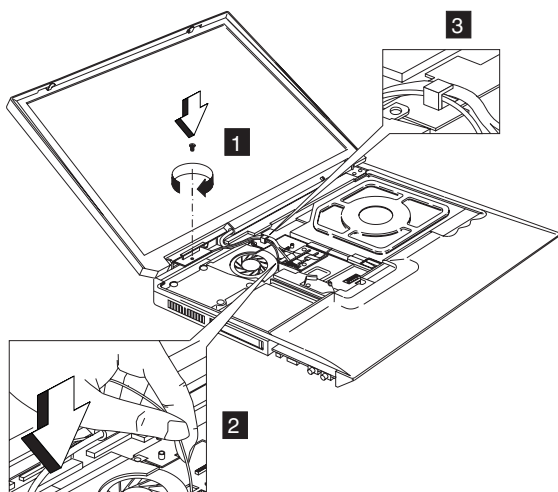


Step	Size (Quantity)	Color	Torque
2	M2 x L2.5(1)	Silver	2.0 kgf-cm

**Note:** Release the black cable, which is the auxiliary antenna from the system.

### 1150 Auxiliary Antenna Reassembly

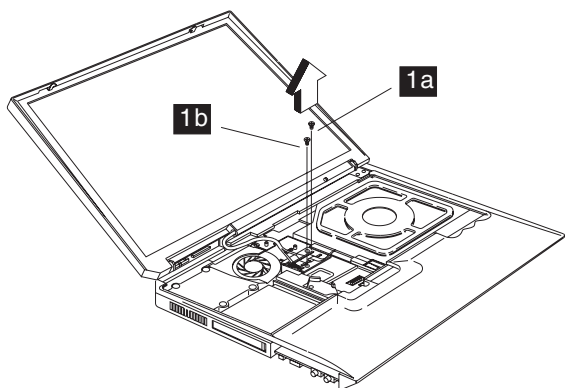
- “1010 Battery Disassembly” on page 123
- “1020 Mini-PCI cover and Mini-PCI card Disassembly” on page 124
- “1070 Keyboard Disassembly” on page 128
- “1100 Middle Cover Disassembly” on page 131
- “1110 CDC Cover Disassembly” on page 132



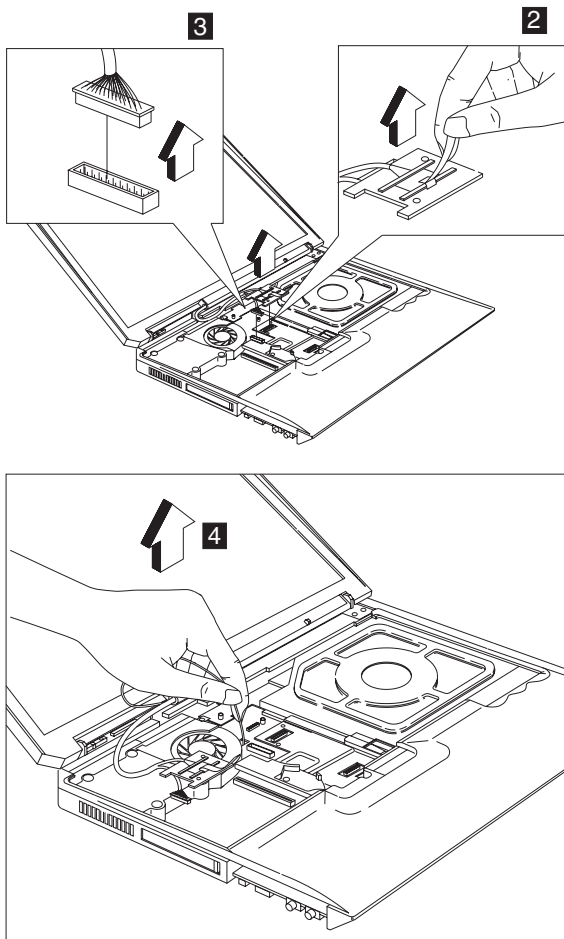
**Note:** Please follow number 1, 2, 3 to reinsert the auxiliary antenna and arrange the cable well based on the above drawing.

## 1160 Coaxial Cable and Inverter Cable Disassembly

- “1010 Battery Disassembly” on page 123
- “1020 Mini-PCI cover and Mini-PCI card Disassembly” on page 124
- “1070 Keyboard Disassembly” on page 128
- “1100 Middle Cover Disassembly” on page 131
- “1110 CDC Cover Disassembly” on page 132



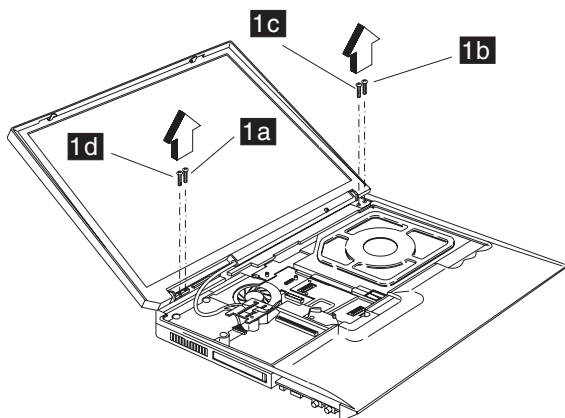
Step	Size (Quantity)	Color	Torque
1	M2.5 x L5 (2)	Silver	2.5 kgf-cm



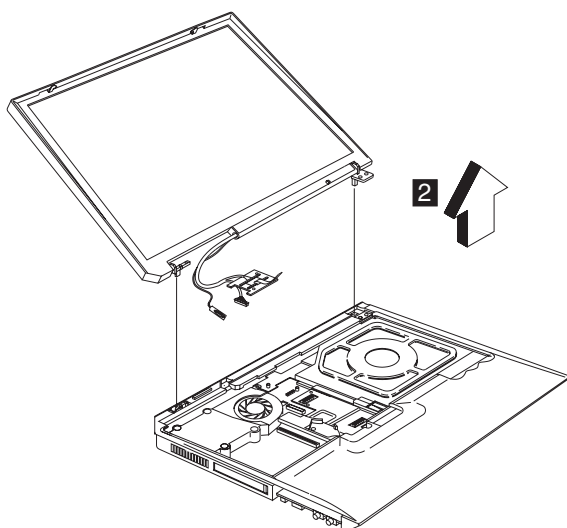
**Note:** Release the gray cable, which is the main antenna from the system.

## 1170 LCD Disassembly

- “1010 Battery Disassembly” on page 123
- “1020 Mini-PCI cover and Mini-PCI card Disassembly” on page 124
- “1070 Keyboard Disassembly” on page 128
- “1100 Middle Cover Disassembly” on page 131
- “1110 CDC Cover Disassembly” on page 132



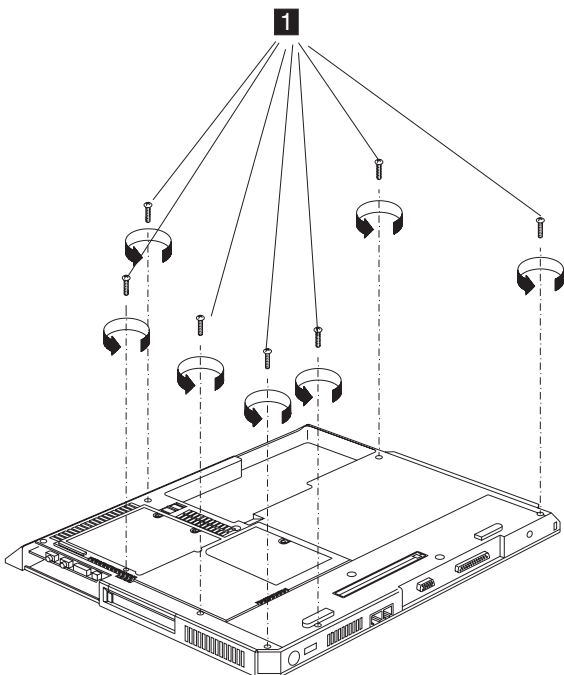
Step	Size (Quantity)	Color	Torque
1	M2.5 x L10 (4)	Black	3.2 kgf-cm



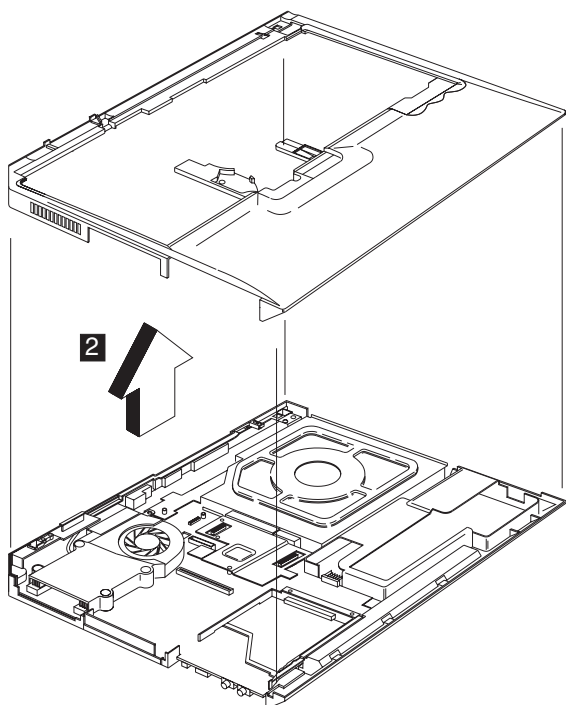
## 1180 Keyboard bezel Disassembly

- “1010 Battery Disassembly” on page 123
- “1020 Mini-PCI cover and Mini-PCI card Disassembly” on page 124
- “1040 Hard Disk Drive Disassembly” on page 126
- “1070 Keyboard Disassembly” on page 128
- “1100 Middle Cover Disassembly” on page 131
- “1170 LCD Disassembly” on page 137





Step	Size (Quantity)	Color	Torque
1	M2.5 x L10 (7)	Black	3.2 kgf-cm

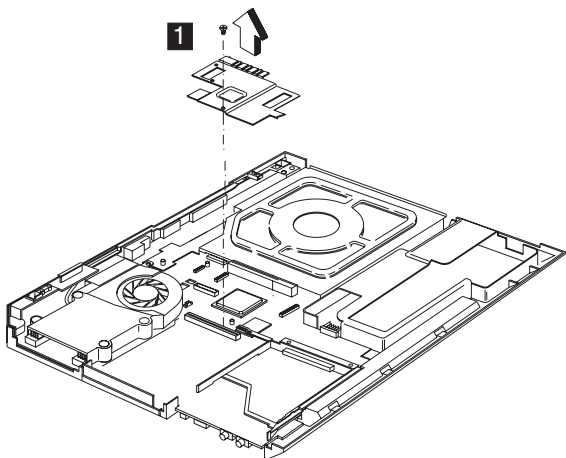


**CAUTION:**

The keyboard bezel has several latches. When removing the keyboard bezel from the bottom cover, gently release these latches, then raise the side of the keyboard bezel facing the palm rest to remove it. Be careful not to break the latches.

### 1190 VGA Heat Sink Disassembly

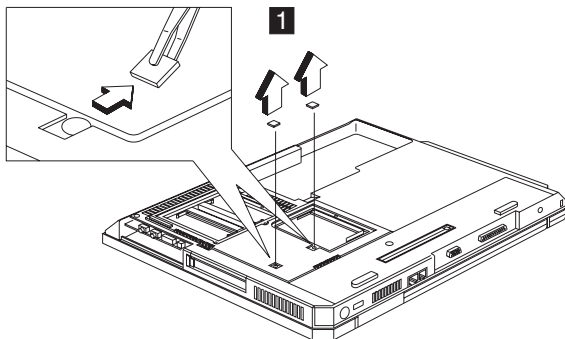
- “1010 Battery Disassembly” on page 123
- “1020 Mini-PCI cover and Mini-PCI card Disassembly” on page 124
- “1040 Hard Disk Drive Disassembly” on page 126
- “1070 Keyboard Disassembly” on page 128
- “1090 Safety Cover Disassembly” on page 130
- “1100 Middle Cover Disassembly” on page 131
- “1170 LCD Disassembly” on page 137
- “1160 Coaxial Cable and Inverter Cable Disassembly” on page 136
- “1180 Keyboard bezel Disassembly” on page 138

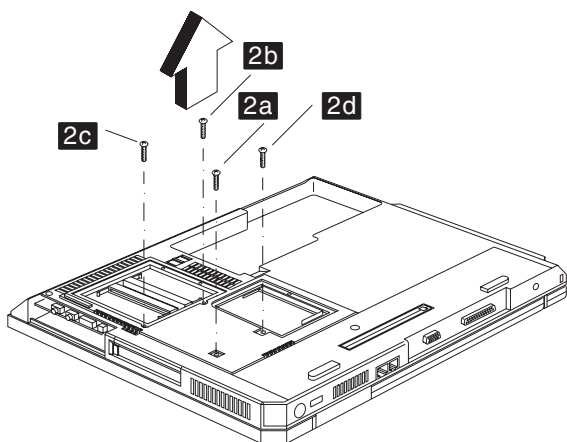


Step	Size (Quantity)	Color	Torque
1	M2.5 x L5 (1)	Silver	2.5 kgf-cm

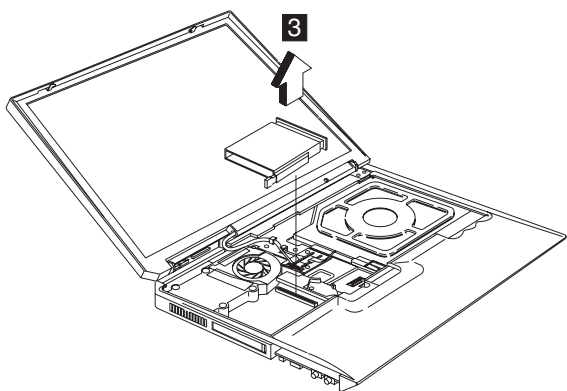
## 1200 PCMCIA Holder Disassembly

- “1010 Battery Disassembly” on page 123
- “1070 Keyboard Disassembly” on page 128
- “1030 Memory cover and Memory card Disassembly” on page 125





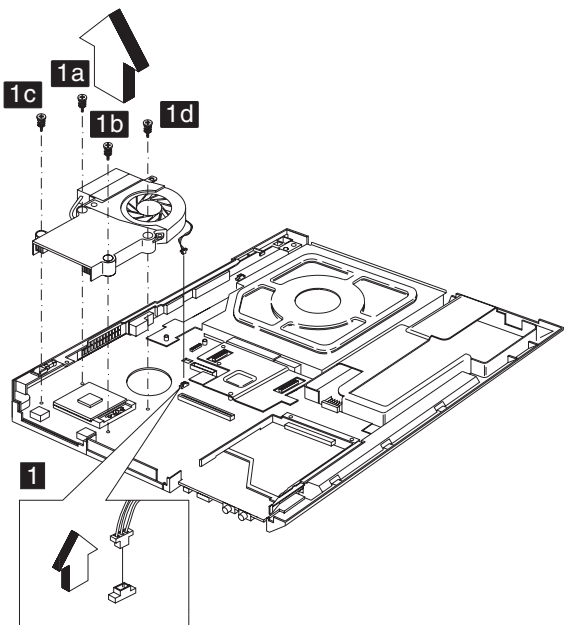
Step	Size (Quantity)	Color	Torque
2	M2 x L6 (4)	Silver	1.6 kgf-cm



**Note:** Before removing and replacing the PCMCIA holder, make sure that the PCMCIA cards are removed and the eject levers are sticking out.

### 1210 Heat Sink Module Disassembly

- “1010 Battery Disassembly” on page 123
- “1070 Keyboard Disassembly” on page 128
- “1100 Middle Cover Disassembly” on page 131

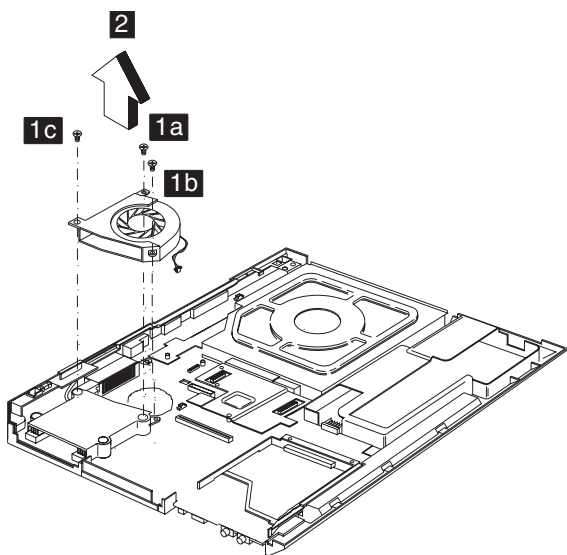


Step	Size (Quantity)	Color	Torque
1	CPU Special Screw(4)	Silver	2.5 kgf-cm

**Note:** Thermal Pad must be replaced when either Heat Sink Module, CPU or System Board is replaced. Thermal Pad is stuck on the bottom side of Heat Sink Module with adhesive. Do not re-use the thermal pad.

## 1220 Fan Disassembly

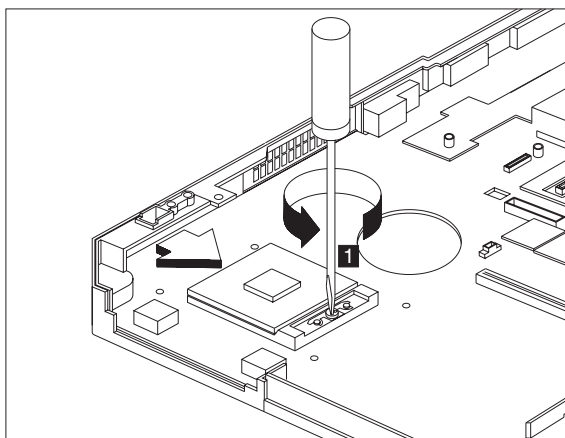
- “1010 Battery Disassembly” on page 123
- “1070 Keyboard Disassembly” on page 128
- “1100 Middle Cover Disassembly” on page 131

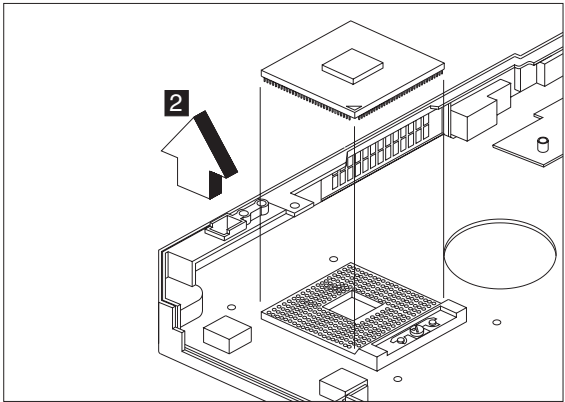


Step	Size (Quantity)	Color	Torque
1	M2.5 x L5 (3)	Silver	2.5 kgf-cm

## 1230 CPU Disassembly

- “1010 Battery Disassembly” on page 123
- “1070 Keyboard Disassembly” on page 128
- “1100 Middle Cover Disassembly” on page 131
- “1210 Heat Sink Module Disassembly” on page 142

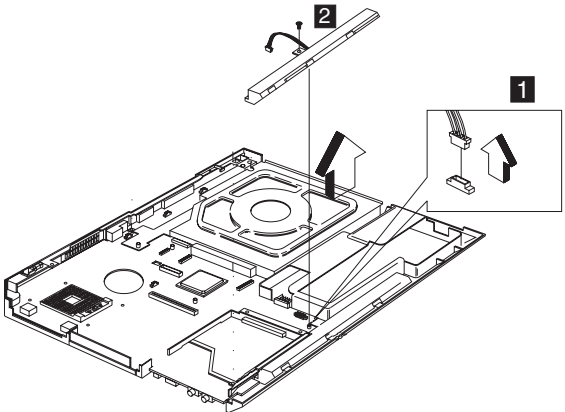




**Note:** Thermal Pad must be replaced when either Heat Sink Module, CPU or System Board is replaced. Thermal Pad is stuck on the bottom side of Heat Sink Module with adhesive. Do not re-use the thermal pad.

## 1240 Speaker Disassembly

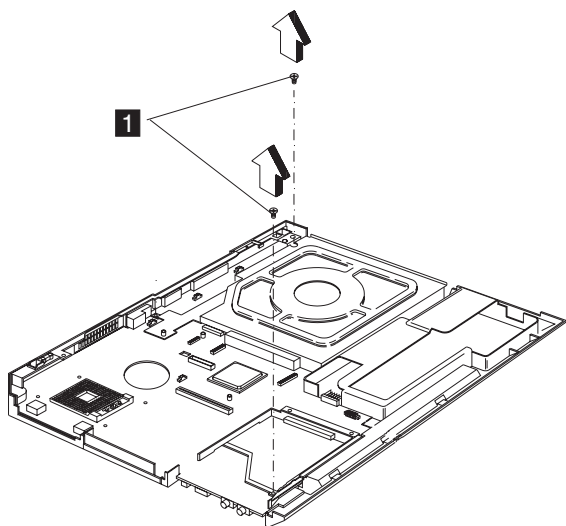
- “1010 Battery Disassembly” on page 123
- “1020 Mini-PCI cover and Mini-PCI card Disassembly” on page 124
- “1040 Hard Disk Drive Disassembly” on page 126
- “1070 Keyboard Disassembly” on page 128
- “1100 Middle Cover Disassembly” on page 131
- “1170 LCD Disassembly” on page 137
- “1180 Keyboard bezel Disassembly” on page 138



Step	Size (Quantity)	Color	Torque
2	M2.5 x L5(1)	Silver	2.5 kgf-cm

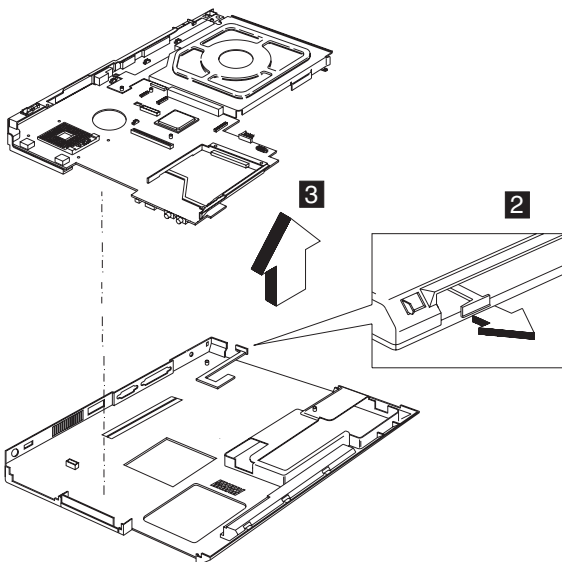
## 1250 System Board Disassembly

- “1010 Battery Disassembly” on page 123
- “1020 Mini-PCI cover and Mini-PCI card Disassembly” on page 124
- “1040 Hard Disk Drive Disassembly” on page 126
- “1060 CD-ROM Disassembly” on page 127
- “1070 Keyboard Disassembly” on page 128
- “1100 Middle Cover Disassembly” on page 131
- “1110 CDC Cover Disassembly” on page 132
- “1170 LCD Disassembly” on page 137
- “1180 Keyboard bezel Disassembly” on page 138
- “1240 Speaker Disassembly” on page 145



Step	Size (Quantity)	Color	Torque
1	M2.5 x L5(2)	Silver	2.5 kgf-cm



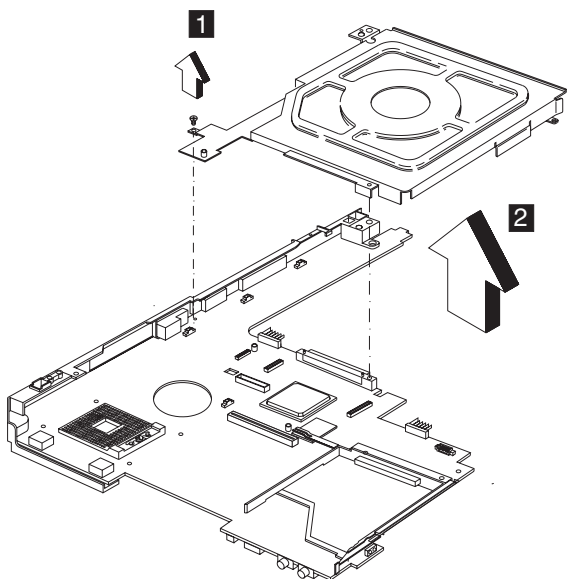


#### Notes:

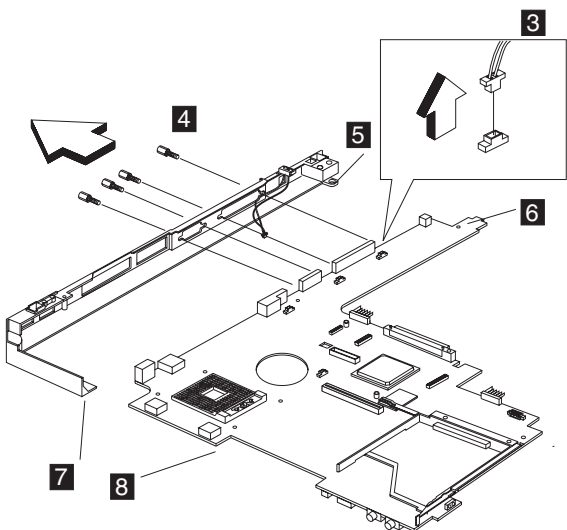
1. When removing the system board from the bottom cover, gently raise the side of the system board facing the rear I/O ports; then pull out the system board.
2. In step 2, further pull out this latch before the system board is attached to the lower case.
3. Thermal Pad must be replaced when either Heat Sink Module, CPU or System Board is replaced. Thermal Pad is stuck on the bottom side of Heat Sink Module with adhesive. Do not re-use the thermal pad.

#### 1260 I/O Port Bracket Disassembly

- “1010 Battery Disassembly” on page 123
- “1020 Mini-PCI cover and Mini-PCI card Disassembly” on page 124
- “1040 Hard Disk Drive Disassembly” on page 126
- “1060 CD-ROM Disassembly” on page 127
- “1070 Keyboard Disassembly” on page 128
- “1100 Middle Cover Disassembly” on page 131
- “1110 CDC Cover Disassembly” on page 132
- “1170 LCD Disassembly” on page 137
- “1180 Keyboard bezel Disassembly” on page 138
- “1240 Speaker Disassembly” on page 145
- “1250 System Board Disassembly” on page 146



Step	Size (Quantity)	Color	Torque
1	M2.5 x L6	Silver	3.2 kgf-cm
2	M2 x L12	Silver	1.6 kgf-cm



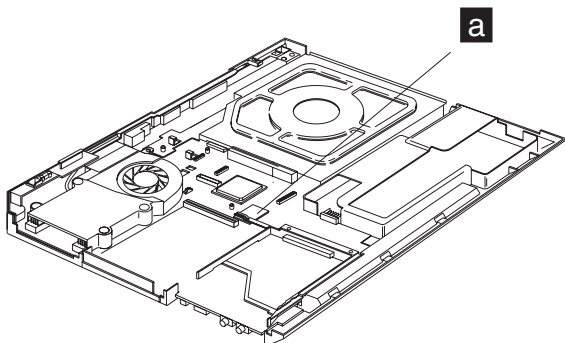
Step	Size (Quantity)	Color	Torque
4	Hex Screw(4)	Silver	2.5 kgf-cm

**Note:** When attaching the I/O port bracket to the system board, please pay special attention to the studs' positions as marked 5, 6, 7, 8. The one marked 5 should be installed above the one marked 6; the one marked number 7 should be aligned with and attached beneath the one marked number 8.

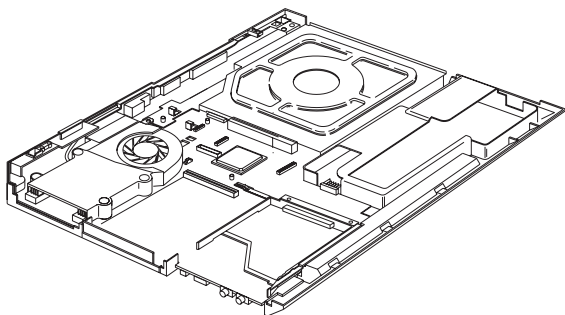
**CAUTION:**

There are several types of system board FRU for the Thinkpad R32 series, as followed:

- System board with IBM security chip



- System board without IBM security chip



Begin by checking the FRU number of the system board, and be sure to use the correct system board FRU for the computer. For the FRU numbers, see "Parts list" on page 161

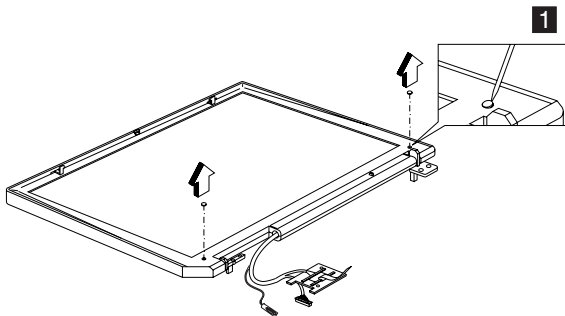
### Important

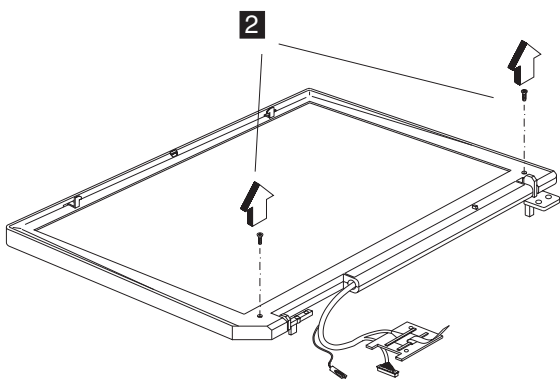
If the ThinkPad computer you are servicing has the security chip, mind the following:

- **Do not remove the security chip from the system board.** If the security chip is removed by accident, reinstall it on the system board immediately. Then make sure that it is firmly fixed on the system board and does not remove easily.
- The security chip **cannot** be used with any other system board.
- The system board **cannot** be used with any other security chip.
- The system board **cannot** be used without security chip
- When you return the defective system board FRU, you must check whether the security chip is firmly attached to the system board. If it is not embedded, it may not be covered under warranty.

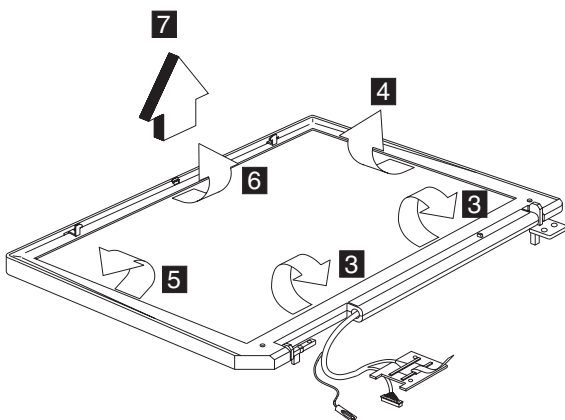
## 1270 LCD Bezel Disassembly (14.1")

- "1010 Battery Disassembly" on page 123
- "1020 Mini-PCI cover and Mini-PCI card Disassembly" on page 124
- "1070 Keyboard Disassembly" on page 128
- "1100 Middle Cover Disassembly" on page 131
- "1170 LCD Disassembly" on page 137





Step	Size (Quantity)	Color	Torque
2	M2.5 x L6(2)	Black	2.5 kgf-cm



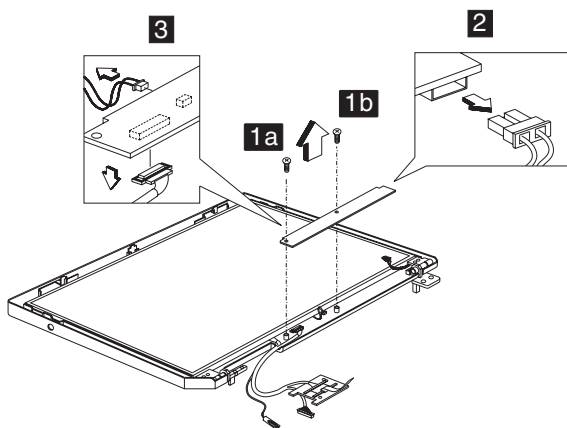
**Note:** When removing the LCD, take note of the following:

- Be careful not to scratch the LCD bezel when removing the screw mylars.
- The LCD bezel has several latches. Release these latches; then remove the LCD bezel. Be careful not to break these latches.
- Gently push the two LCD latches outward to remove the LCD bezel.

## 1280 LCD Inverter Disassembly(14.1")

- "1010 Battery Disassembly" on page 123
- "1020 Mini-PCI cover and Mini-PCI card Disassembly" on page 124
- "1070 Keyboard Disassembly" on page 128

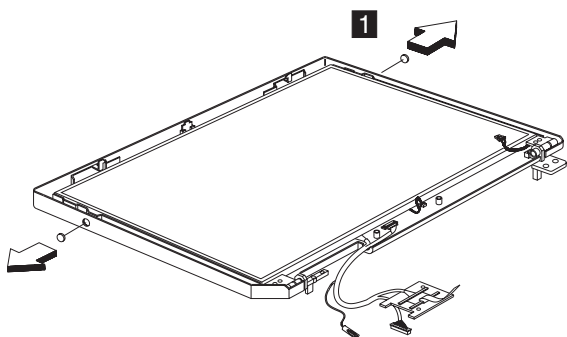
- “1100 Middle Cover Disassembly” on page 131
- “1170 LCD Disassembly” on page 137
- “1270 LCD Bezel Disassembly (14.1”)” on page 150

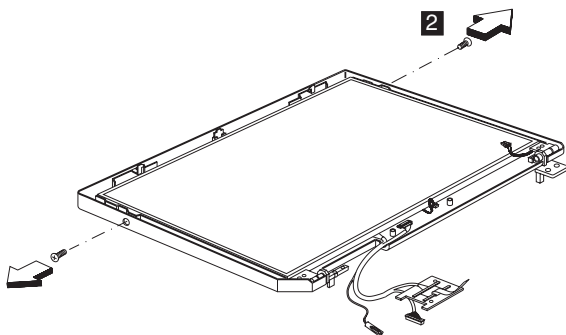


Step	Size (Quantity)	Color	Torque
1	M2 x L10(2)	Black	2.5 kgf-cm

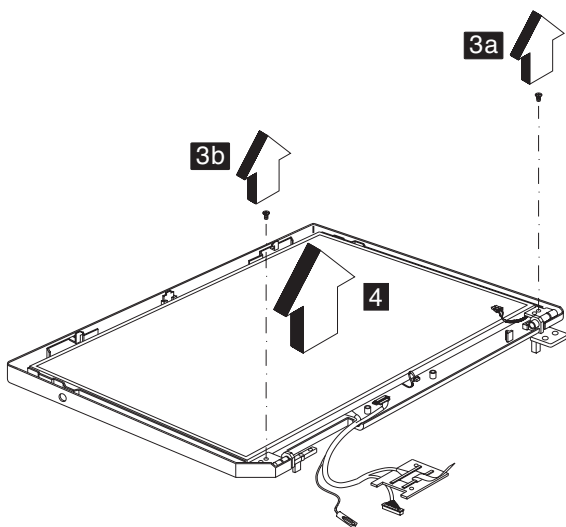
## 1290 LCD Board Disassembly(14.1")

- “1010 Battery Disassembly” on page 123
- “1020 Mini-PCI cover and Mini-PCI card Disassembly” on page 124
- “1070 Keyboard Disassembly” on page 128
- “1100 Middle Cover Disassembly” on page 131
- “1170 LCD Disassembly” on page 137
- “1270 LCD Bezel Disassembly (14.1”)” on page 150
- “1280 LCD Inveter Disassembly(14.1”)” on page 151



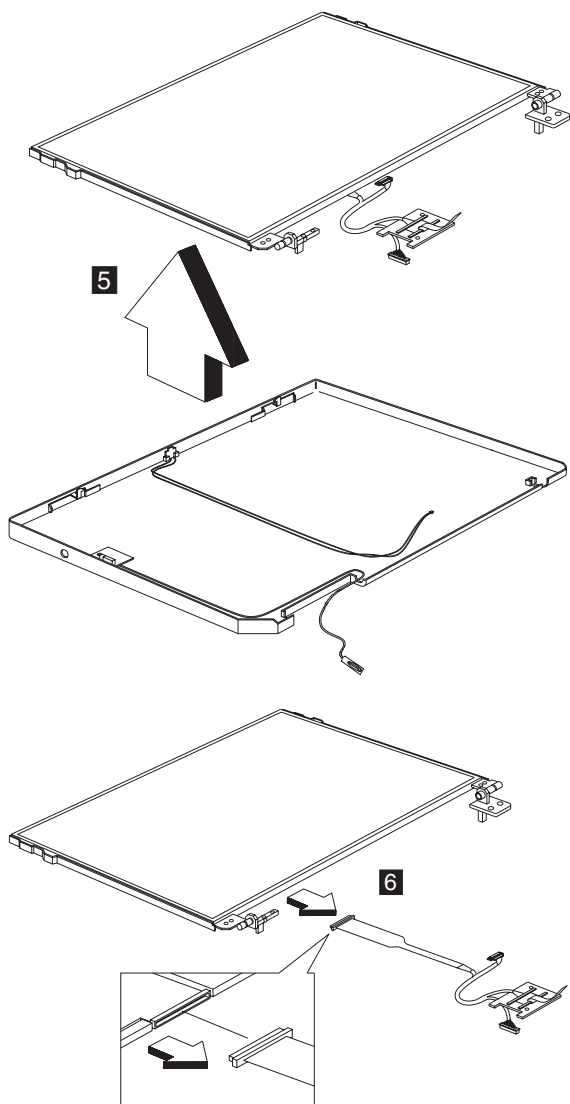


Step	Size (Quantity)	Color	Torque
2	M2 x L4(2)	Silver	2.5 kgf-cm



Step	Size (Quantity)	Color	Torque
3	M2.5 x L6(2)	Black	2.5 kgf-cm

**Note:** Before step 4 of removing the LED board, please make sure the main antenna cable is lifted gently.

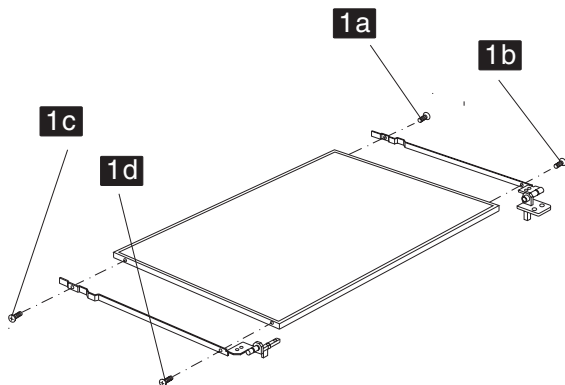


## 1300 LCD Bracket Hinges Disassembly (14.1")

- "1010 Battery Disassembly" on page 123
- "1020 Mini-PCI cover and Mini-PCI card Disassembly" on page 124
- "1070 Keyboard Disassembly" on page 128



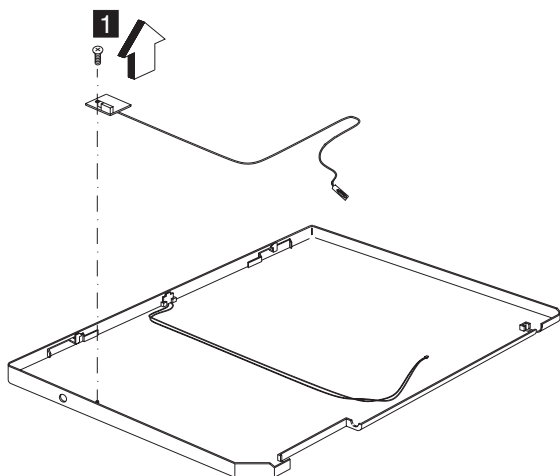
- “1100 Middle Cover Disassembly” on page 131
- “1170 LCD Disassembly” on page 137
- “1270 LCD Bezel Disassembly (14.1”)” on page 150
- “1280 LCD Inverter Disassembly(14.1”)” on page 151
- “1290 LCD Board Disassembly(14.1”)” on page 152



Step	Size (Quantity)	Color	Torque
1	M2 x L4 (4)	Silver	2.5 kgf-cm

### 1310 Main Antenna Disassembly(14.1")

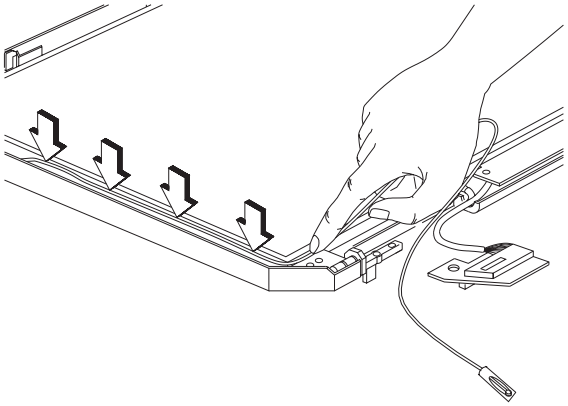
- “1010 Battery Disassembly” on page 123
- “1020 Mini-PCI cover and Mini-PCI card Disassembly” on page 124
- “1070 Keyboard Disassembly” on page 128
- “1100 Middle Cover Disassembly” on page 131
- “1170 LCD Disassembly” on page 137
- “1270 LCD Bezel Disassembly (14.1”)” on page 150
- “1280 LCD Inverter Disassembly(14.1”)” on page 151
- “1290 LCD Board Disassembly(14.1”)” on page 152
- “1300 LCD Bracket Hinges Disassembly (14.1”)” on page 154



Step	Size (Quantity)	Color	Torque
1	M2 x L4(1)	Silver	2.5 kgf-cm

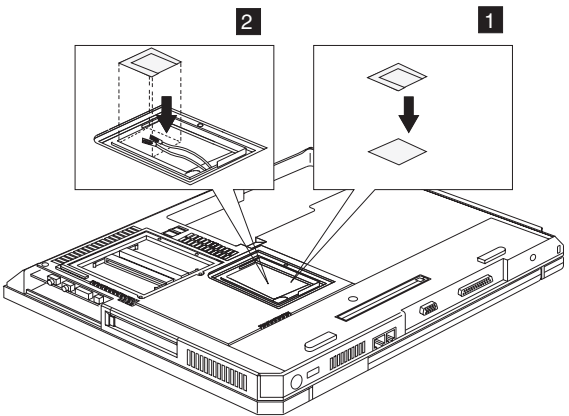
### 1320 Main Antenna Cable Reassembly

- “1010 Battery Disassembly” on page 123
- “1020 Mini-PCI cover and Mini-PCI card Disassembly” on page 124
- “1070 Keyboard Disassembly” on page 128
- “1100 Middle Cover Disassembly” on page 131
- “1170 LCD Disassembly” on page 137
- “1270 LCD Bezel Disassembly (14.1”)” on page 150
- “1280 LCD Inverter Disassembly(14.1”)” on page 151
- “1290 LCD Board Disassembly(14.1”)” on page 152
- “1300 LCD Bracket Hinges Disassembly (14.1”)” on page 154



### 1330 Mylar Assembly

- “1010 Battery Disassembly” on page 123
- “1020 Mini-PCI cover and Mini-PCI card Disassembly” on page 124

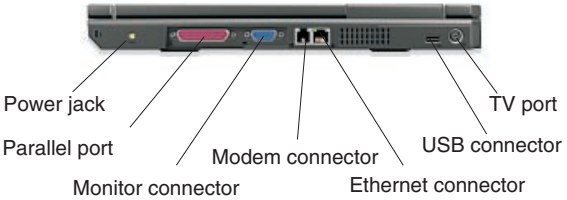


# Locations

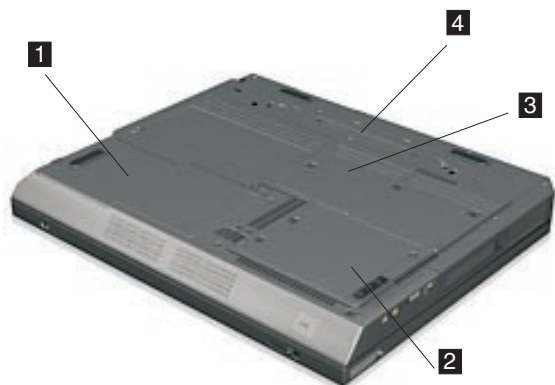
## Front View



## Rear View



## Bottom View

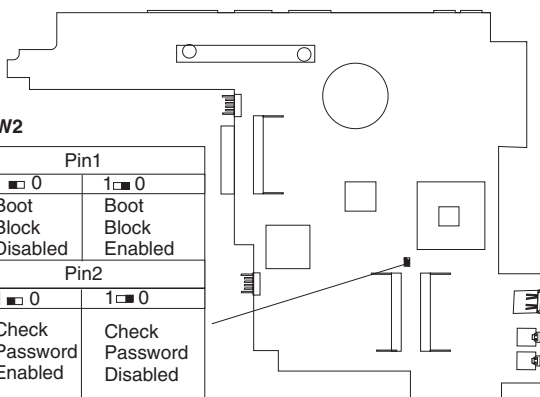


1. Battery pack
2. Memory slot door
3. Mini-PCI Card slot door
4. Docking connector

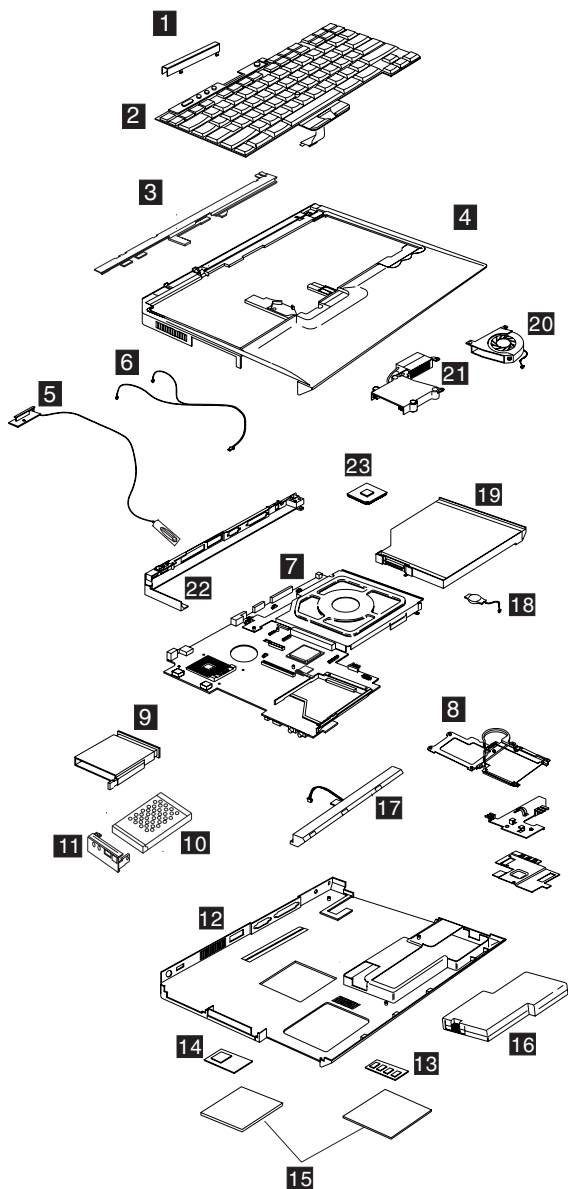
## Switch Locations

### SW2

Pin1	
1 <input type="checkbox"/> 0	1 <input type="checkbox"/> 0
Boot Block Disabled	Boot Block Enabled
Pin2	
1 <input type="checkbox"/> 0	1 <input type="checkbox"/> 0
Check Password Enabled	Check Password Disabled



## Parts list



**Note:** The parts marked with asterisk are CRUs (customer replaceable units.)

There are two levels of CRUs: Tier 1 and Tier 2. Tier 1 CRUs are identified by one asterisk (\*). Tier 2 CRUs are identified by 2 asterisks (\* \*).

Tier 1 CRUs are defined as those CRUs that meet the following criteria:

1. No tools required for removal or replacement.  
Exception: Coin, thumb screws are acceptable.
2. Minimal technical expertise required.
3. Minimal Problem Determination is required (less than 5 minutes).

Tier 2 CRUs are defined as those CRUs that meet the following criteria:

1. Some screw/fastener removals.
2. Some technical experience required.
3. Helpcenter assistance may be used.
4. Problem Determination can be done by customers or with Helpcenter assistance.

No.	Description	FRU No.
1	Hinge Cap	26P9722
	LG/ IBM Logo Kit	08K5860
3	Middle Cover Asm	46L6509
4	Upper Case-KBD Bezel	46L6508
5	Antenna Kit for D-1.5 (w/ puller TABs)	08K4072
	Antenna Kit 13"/14" LCD for D-1.5	08K4073
6	Cable Asm. kit , RJ11 and lid switch	27L0722
7	Planar for Pentium-4M w/o security card, w/o 1394	26P8292
	Planar for Pentium-4M w/ security card, w/ 1394	26P8341
	Planar for Pentium-4M w/o security card, w/1394	26P8291
	Planar for Pentium-4M w/ security card, w/o 1394	26P8343
8	M/B Misc parts kit	46P2586
9	PC Card Slot	46L6530
10	HDD w/tray & screws module IBM Cscard./ 20 GB	08K9761* *
	HDD w/tray & screws module HITACHI Dogwood/ 20GB	08K9763**
	HDD w/tray & screws module IBM Cscard / 30 GB	08K9733**
	HDD w/tray & screws module HITACHI Dogwood/ 30GB	08K9746**

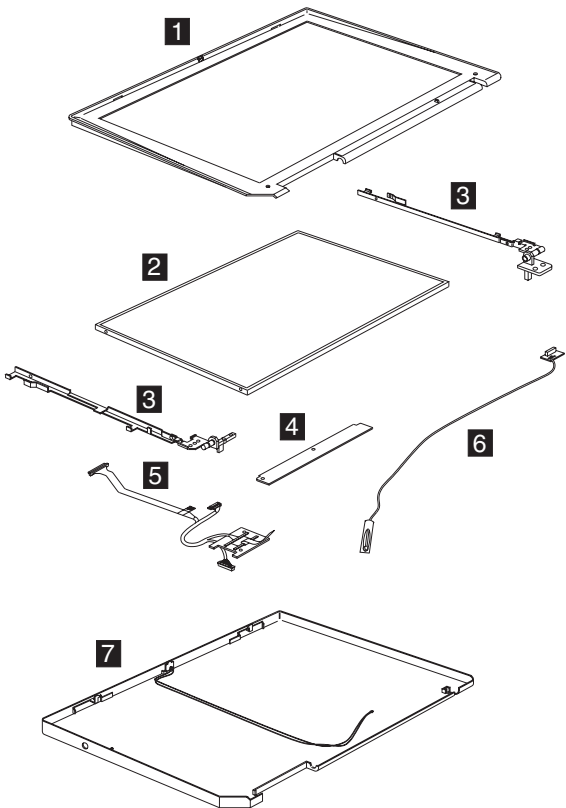


No.	Description	FRU No.
	HDD w/tray & screws module IBM Csacard / 40 GB	08K9742**
	HDD w/tray & screws module HITACHI Dogwood/ 40GB	08K9774**
11	HDD Cover	46L6523
12	Lower Case w/ label W/W for WR	62P4051
	Lower Case w/ label EMEA for WR	62P4052
	Lower Case w/ label IIPC—Cisco wireless	62P4058
	Lower Case w/ label Japan—Cisco wireless	62P4059
13	CARD ASM DDR- 128M	10K0029**
	CARD ASM DDR- 256M	10K0031**
	CARD ASM DDR- 512M	10K0033**
14	CDC Modem Card	26P8256
	Cisco Aironet Wireless 802.11b Mini-PCI-for North America	26P8435
	Cisco Aironet Wireless 802.11b Mini-PCI for EMEA	26P8367
	Cisco Aironet Wireless 802.11b Mini-PCI for China	26P8371
	Cisco Aironet Wireless 802.11b Mini-PCI for Japan	26P8369
15	Mini-PCI / DIMM door kit	46L6524
16	Main Battery Assy. (Li-Ion)	
	Sanyo-W/W	02K7054*
	Sanyo-Japan	02K7058*
	Panasonic-W/W	02K6928*
	Panasonic-Japan	02K7060*
17	Speaker Kit	08K4618
18	RTC Battery(P/N 02K7063)	02K7062
19	CD-ROM Module	
	TEAC (CD-224E-B01)	27L3436*
	LG (CRN-8245B)	27L4301*
	DVD-ROM Module	
	Hitachi (GDR-8081N)	27L4355*
	MKE (SR-8176-MBZ)	27L4351*

No.	Description	FRU No.
	CD—RW Module TEAC (CD-W28E-001)CD—RW / 12XDVD Module KME UJDA720	27L4297* 27L4359*
	FDD External, Unit P/N 05K9282	05K9283*
	Rubber Kit	46L6527
	Mylar Kit	46P2589
	Screw Kit	46L6526
	Mylar-Antenna holder	46P3133
	Base cover Misc parts kit	46P2587
20	FAN asm	46L6507
21	Heat Sink Asm. (w/ thermal pad)	46P2588
22	I/O Bracket	46P2590
23	CPU Intel Pentium-4M 1.6 GHz	26P8345
	CPU Intel Pentium-4M 1.7 GHz	26P8449
	CPU Intel Pentium-4M 1.8 GHz	26P8346

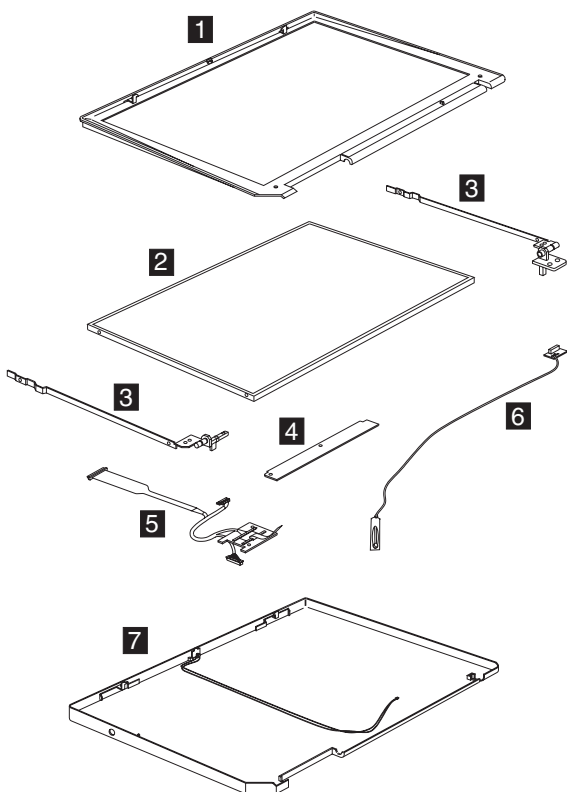
# LCD FRU

## 13.3-inch TFT:



No.	Description	FRU No.
4	LCD Invertor / LED card 14/13" TFT (P/N 26P8140)	26P8139
6	Antenna Kit for D-1.5 (w/ puller TABs)	08K4072
	Antenna Kit 13"/14" LCD for D-1.5	08K4073
7	LCD Rear Cover asm (13/14" TFT)-Wireless	26P9709
	LCD Rear Cover asm (13/14" TFT)	26P9707

## 14.1-inch TFT:



No.	Description	FRU No.
1	LCD Bezel asm "R32" (14" TFT)	46L6503
2	LCD Panel asm (14" TFT)	05K9888
	DBU	11P8283
	LG/LW	11P8280
	Samsung	
3	LCD Hinge/Bracket kit (14" TFT)	26P9719
4	LCD Invertor / LED card 14/13" TFT (P/N 26P8140)	26P8139
5	LCD cable asm (14" TFT)	27L0720
6	Antenna Kit for D-1.5 (w/ puller TABs)	08K4072
	Antenna Kit 13"/14" LCD for D-1.5	08K4073
7	LCD Rear Cover asm (13/14" TFT)-Wireless	26P9709
	LCD Rear Cover asm (13/14" TFT)	26P9707

## Keyboard

Description	Vendor	FRU No.
KBD ASM US English	NMB	08K4506**
KBD ASM Canadian French	NMB	08K4508**
KBD ASM German	NMB	08K4510**
KBD ASM UK English	NMB	08K4512**
KBD ASM French	NMB	08K4514**
KBD ASM Dutch	NMB	08K4516**
KBD ASM Swedish/Finnish	NMB	08K4518**
KBD ASM Norwegian	NMB	08K4520**
KBD ASM Danish	NMB	08K4522**
KBD ASM Italian	NMB	08K4524**
KBD ASM European Spanish	NMB	08K4526**
KBD ASM Belgian	NMB	08K4528**
KBD ASM Switzerland	NMB	08K4530**
KBD ASM Portuguese	NMB	08K4532**
KBD ASM Arabic	NMB	08K4534**
KBD ASM Russian	NMB	08K4536**
KBD ASM Hebrew	NMB	08K4538**
KBD ASM Polish	NMB	08K4540**
KBD ASM Turkish	NMB	08K4542**
KBD ASM Czech	NMB	08K4544**
KBD ASM Hungarian	NMB	08K4546**
KBD ASM Greek	NMB	08K4548**
KBD ASM Slovenian	NMB	08K4550**
KBD ASM Slovakian	NMB	08K4552**
KBD ASM Japanese	NMB	08K4554**
KBD ASM Traditional Chinese	NMB	08K4556**
KBD ASM Korean	NMB	08K4558**
KBD ASM La Spanish	NMB	08K4560**
KBD ASM US English	Chicony	08K4562**
KBD ASM Canadian French	Chicony	08K4564**
KBD ASM German	Chicony	08K4566**
KBD ASM UK English	Chicony	08K4568**
KBD ASM French	Chicony	08K4570**
KBD ASM Dutch	Chicony	08K4572**
KBD ASM Swedish/Finnish	Chicony	08K4574**
KBD ASM Norwegian	Chicony	08K4576**
KBD ASM Danish	Chicony	08K4578**
KBD ASM Italian	Chicony	08K4580**
KBD ASM European Spanish	Chicony	08K4582**

Description	Vendor	FRU No.
KBD ASM Belgian	Chicony	08K4584**
KBD ASM Switzerland	Chicony	08K4586**
KBD ASM Portuguese	Chicony	08K4588**
KBD ASM Arabic	Chicony	08K4590**
KBD ASM Russian	Chicony	08K4592**
KBD ASM Hebrew	Chicony	08K4594**
KBD ASM Polish	Chicony	08K4596**
KBD ASM Turkish	Chicony	08K4598**
KBD ASM Czech	Chicony	08K4600**
KBD ASM Hungarian	Chicony	08K4602**
KBD ASM Greek	Chicony	08K4604**
KBD ASM Slovenian	Chicony	08K4606**
KBD ASM Slovakian	Chicony	08K4608**
KBD ASM Japanese	Chicony	08K4610**
KBD ASM Traditional Chinese	Chicony	08K4612**
KBD ASM Korean	Chicony	08K4614**
KBD ASM La Spanish	Chicony	08K4616**

## Common parts list

### Tools:

Description	FRU No.
Tri-Connector Wrap Plug	72X8546
PC Test Card	35G4703
Audio Wrap Cable	66G5180
USB Parallel Test Cable	05K2580
Screwdriver Kit	95F3598
5mm Socket Wrench	05K4694
Screwdriver	27L8126
Wireless Antenna Connector Tool	08K7159
ThinkPad hardware maintenance diskette version 1.07	

**Note:** The data may look the same with the sample hmm but the diskette version is different. There is no FRU number for ThinkPad hardware maintenance diskette.

## Telephone cable:

Description	FRU No.
Telephone Cable (US/ CAN/ TWN/ APS/ LA/ BRZL)	27L0465*
Telephone Cable (UK/ IR/ NZ)	27L0442*
Telephone Cable (GERMANY)	27L0441*
Telephone Cable (ITALY)	27L0448*
Telephone Cable (FRANCE)	27L0443*
Telephone Cable (DK/ DE/ PO)	27L0447*
Telephone Ccable (SW/ SU)	27L0445*
Telephone Cable (FI/ NO/ NS)	27L0446*
Telephone Cable (AUSTRALIA)	27L0467*
Telephone Cable (ND/NU)	27L0444*
Telephone Cable (SF/ SI/ SG/ SE)	27L0462*
Telephone Cable (BE/ BK/ BS/ BD/ BF)	27L0451*
Telephone Cable (AUSTRIA)	27L0449*
Telephone Cable (SPAIN)	27L0450*

## AC adapter:

Description	FRU No.
AC ADAPTER, 72W 3-pins (ASTEC)	02K6751*
AC ADAPTER, 72W 3-pins (Delta)	02K6754*
AC ADAPTER, 72W 2-pins (Delta)	02K6756*
AC ADAPTER, 72W 2-pinS (ASTEC)	02K6753*

**Power cords:** IBM power cords for a specific country are usually available only in that country.

### *For 2-pin power cords:*

IBM power cord part number	Used in these countries or regions
13H5264*	Canada, U.S.A.
13H5273*	Japan
36L8870*	Argentina
49P2095*	Brazil

For 3-pin power cords:

**Note:** The grounded adapter is required for full MPRII compliance. If a 3-pin power cord came with your computer, see "Safety Information" on page 11.

<b>IBM power cord part number</b>	<b>Used in these countries or regions</b>
76H3514*	Australia, New Zealand
76H3516*	Taiwan, Thailand
76H3530*	Italy
76H3520*	Denmark
76H3524*	UK, Hong Kong
76H3518*	European Countries
76H3522*	South Africa, India
76H3532*	Israel
76H3535*	Korea
02K0539*	China (P.R.C.)
76H3528*	Switzerland

### Recovery CD List:

Description	FRU No.	MODELS
Recovery CD English-WinXP PRO (UD)	01R5611	2677-BZG: 2659-CHG, BZG: 2658-CHG, BZG
Recovery CD English-WinXP PRO (US)	01R5610	2677-BZU: 2659-CHU, BZU: 2658-CHU, BZU
Recovery CD English-WinXP PRO (US)	01R5610	2677-BZH: 2659-CHH, BZH: 2658-CHH, BZH
Recovery CD English-WinXP PRO (US)	01R5610	2677-BZM:2659-CHM, BZM: 2658-CHM,BZM
Recovery CD English-WinXP PRO (US)	01R5610	2677-BZA: 2659-BZA: 2658-BZA
Recovery CD Norway-WinXP PRO	01R5621	2677-BZG: 2659-CHG, BZG: 2658-CHG, BZG
Recovery CD Netherland-WinXP PRO	01R5620	2677-BZG: 2659-CHG, BZG: 2658-CHG, BZG
Recovery CD Finland-WinXP PRO	01R5619	2677-BZG: 2659-CHG, BZG: 2658-CHG, BZG
Recovery CD Italy-WinXP PRO	01R5618	2677-BZG: 2659-CHG, BZG: 2658-CHG, BZG
Recovery CD Spanish-WinXP PRO	01R5616	2677-BZG: 2659-CHG, BZG: 2658-CHG, BZG



Recovery CD Spanish-WinXP PRO	01R5616	2677-BZX: 2659-BZX: 2658-BZX
Recovery CD Spanish-WinXP PRO	01R5616	2677-BZS: 2659-BZS: 2658-BZS
Recovery CD Denmark-WinXP PRO	01R5613	2677-BZG: 2659-CHG, BZG: 2658-CHG, BZG
Recovery CD Sweden-WinXP PRO	01R5617	2677-BZG: 2659-CHG, BZG: 2658-CHG, BZG
Recovery CD French-WinXP PRO	01R5614	2677-BZG: 2659-CHG, BZG: 2658-CHG, BZG
Recovery CD French-WinXP PRO	01R5614	2677-BZF: 2659-CHF, BZF: 2658-CHF, BZF
Recovery CD German-WinXP PRO	01R5615	2677-BZG: 2659-CHG, BZG: 2658-CHG, BZG
Recovery Portuguese-WinXP PRO	01R5612	2677-BZP: 2659-BZP: 2658-BZP
Recovery CD Japan-WinXP PRO	62P8912	2677-BZJ: 2659-CHJ, BZJ: 2658-CHJ, BZJ
Recovery CD Hong Kong-TC-WinXP PRO	67P4695	2677-BZB: 2659-CHB, BZB: 2658-CHB, BZB
Recovery CD Traditional Chinese-WinXP PRO	67P4693	2677-BZT: 2659-BZT: 2658-BZT
Recovery CD Simplified Chinese-WinXP PRO	67P4694	2677-BZC: 2659-CHC, BZC: 2658-CHC, BZC
Recovery CD Turkey-WinXP PRO	01R5626	2677-BZG: 2659-CHG, BZG: 2658-CHG, BZG
Recovery CD Greek-WXP PRO	01R5627	2677-BZG: 2659-CHG, BZG: 2658-CHG, BZG
Recovery CD Hungary-WinXP PRO	01R5628	2677-BZG: 2659-CHG, BZG: 2658-CHG, BZG
Recovery CD Russian-WinXP PRO	01R5629	2677-BZG: 2659-CHG, BZG: 2658-CHG, BZG
Recovery CD Polish-WinXP PRO	01R5625	2677-BZG: 2659-CHG, BZG: 2658-CHG, BZG

Recovery CD Hebrew-WinXP PRO	01R5624	2677-BZG: 2659-CHG, BZG: 2658-CHG, BZG
Recovery CD CZ-WinXP PRO	01R5623	2677-BZG: 2659-CHG, BZG: 2658-CHG, BZG

Recovery CD English-Win2000 (US)	01R5670	2658-L6U, L7U, N7U, N8U
Recovery CD English-Win2000 (US)	01R5670	2658-N6A
Recovery CD Spanish-Win2000	01R5676	2658-N7S, N8S, L6S, L7S
Recovery CD Spanish-Win2000	01R5676	2658-N7X, N8X, L6X, L7X
Recovery CD Portuguese- Win2000	01R5672	2658-N7P, N8P, L6P, L7P
Recovery CD Japan-Win2000	62P8909	2658-K2J
Recovery CD English-WinXP HOME (UD)	01R5731	2658-L8G, L9G
Recovery CD English-WinXP HOME (US)	01R5730	2658-LCU, K3U, K4U, N9U, NGU, NHU
Recovery CD English-WinXP HOME (US)	01R5730	2658-LAH, NEH, NFH: K4A, K5A: N9M
Recovery CD Norway-WinXP HOME	01R5741	2658-L8G, L9G
Recovery CD Netherland-WinXP HOME	01R5740	2658-L8G, L9G
Recovery CD Finland-WinXP HOME	01R5739	2658-L8G, L9G
Recovery CD Italy-WinXP HOME	01R5738	2658-L8G, L9G
Recovery CD Spanish-WinXP HOME	01R5736	2658-L8G, L9G
Recovery CD Spanish-WinXP HOME	01R5736	2658-K4S, N9S, NGS, NHS
Recovery CD Spanish-WinXP HOME	01R5736	2658-K4X, N9X, NGX, NHX
Recovery CD Denmark-WinXP HOME	01R5733	2658-L8G, L9G

Recovery CD Sweden-WinXP HOME	01R5737	2658-L8G, L9G
Recovery CD WXP HOME	01R5734	2658-L8G, L9G
Recovery CD German-WinXP HOME	01R5735	2658-L8G, L9G
Recovery CD Portuguese-WinXP HOME	01R5732	2658-K4P, N9K, NGP, NHP
Recovery CD Turkey-WinXP HOME	01R5746	2658-L8G, L9G
Recovery CD Greek-WinXP HOME	01R5747	2658-L8G, L9G
Recovery CD Hungary-WinXP HOME	01R5748	2658-L8G, L9G
Recovery CD Russian-WinXP HOME	01R5749	2658-L8G, L9G
Recovery CD Polish-WinXP HOME	01R5745	2658-L8G, L9G
Recovery CD Hebrew-WinXP HOME	01R5744	2658-L8G, L9G
Recovery CD CZ-WinXP HOME	01R5743	2658-L8G, L9G

## Option Parts List

### Battery charges:

Description	FRU No.
Main Battery Li-Ion Option—W/W	02K7052*
Main Battery Li-Ion Sanyo—W/W	02K7055*
Main Battery Li-Ion Panasonic—W/W	02K7057*
Main Battery Li-Ion Option—Japan	02K7053*
Main Battery Li-Ion Sanyo—Japan	02K7059*
Main Battery Li-Ion Panasonic—Japan	02K7061*

### Ultrabay devices:

Description	FRU No.
CD-RW/ DVD Combo II (KME)	27L4359*
CD-RW/ DVD Combo II (TEAC)	08K9785*

<b>Description</b>	<b>FRU No.</b>
8X/ 4X/ 24X Max CD-RW (TEAC)	08K9644*
Ultralight 8X DVD-ROM (MKE)	27L4351*
Ultralight 8X DVD-ROM (HLDS)	27L4355*
24X-10X CD-ROM (HLDS)	27L4301*
24X-10X CD-ROM (TEAC)	27L3436*
Diskette drive (TEAC)	08K9606*
Diskette drive (SONY)	08K9607*
SuperDisk drive (LS240)	08K9615*
ZIP—250 drive	00N8254*
2nd HDD adapter	08K6067*
Ultrabay Plus device carrier	26P9388*
Ultrabay Plus numeric keypad	19K2056*
Ultrabay Plus cradle for WorkPad c500 series	26P9389*

---

## ThinkPad R32 Series Part III

This section applies to the following models: 2677–J3X, 2677–N3X, 2677–N4X, 2659–J3X, 2659–N3X, 2659–N4X, 2659–N5X, 2658–J3X, 2658–N3X, 2658–N4X, 2658–N5X, 2658–H4X, 2658–H3X, 2658–HAX, 2658–HBX, 2658–K3X, 2658–K4X, 2658–K5X, 2658–K6X, 2658–K7X, 2658–K8X, 2658–K9X, 2658–KAX, 2658–KBX, 2658–KCX, 2658–KDX, 2658–KEX, 2658–MMX, 2658–KFX, 2658–2658–KGX, 2658–KHX, 2658–KJX, 2658–MNX, 2658–MKX, 2658–MLX, 2658–L7X, 2658–L8X, 2658–MPX, 2658–L9X, 2658–LAX, 2658–LBX, 2658–LCX, 2658–LDX, 2658–LEX, 2658–LFX, 2658–LGX, 2658–LHX, 2658–LJX, 2658–LKX, 2658–LLX, 2658–LMX, 2658–LNX, 2658–LPX, 2658–LQX, 2658–LRX, 2658–LSX, 2658–LTX, 2658–LUX, 2658–LVX, 2658–LXX, 2658–LYX, 2658–LZX, 2658–M6X, 2658–M7X, 2658–M9X, 2658–MAX, 2658–MBX, 2658–MHX, 2658–MJX, 2658–MCX, 2658–MDX, 2658–MEX, 2658–MFX, 2658–MGX, 2658–N6X, 2658–N9X, 2658–NAX, 2658–NBX, 2658–NCX, 2658–NDX, 2658–NEX, 2658–NFX, 2658–NJX, 2658–NKX, 2658–NLX, 2658–NMX, 2658–NPX, 2658–NQX, 2658–NRX, 2658–NSX, 2658–NUX, 2658–NVX, 2658–NWX, 2658–NXX, 2658–NYX, 2658–NZX

## Product overview

The following shows an overview of the system features.

Feature	Description
Processor	Intel Pentium-4M– 1.7GHz/ 1.8GHz/ 2.0GHz  Celeron 1.5GHz
Chip set	Intel Brookdale (845MP)
Bus architecture	Host bus 64 bits 266 MHz, PCI 32 bits/33 MHz, ISA 16 bits/8.33MHz, PCMCIA 16 bits/33 MHz, Cardbus 32 bits/32 MHz
System memory	Two DDR DIMM Slots support 128MB, 256MB, and 512MB DIMM card, up to Max. 1GB  Maximum frequency: PC 266 MHz  Maximum size: 1024 MB
CMOS RAM	256 bytes
Video	ATI M6C graphics integrated V-RAM chip (8MB/16MB)  14.1– inch, 32 bit true colors, 1024X768 pixel TFT XGA color LCD
Video memory	8/16MB V-RAM in video chip
LCD(Bright Ctrl)	13.3" TFT (XGA)/ 14.1" TFT (XGA) (KBD)
Audio	AC97 audio based on the Intel ICH3 AC link DMA engine  16– bit audio  Internal stereo speakers
Floppy Diskette drive (By model)	USB FDD External 1.44MB, 3.5 inch floppy drive via USB interface (Bootable)
Hard disk drive- Upgradable	20GB, 30GB or 40GB, 2.5–inch 9.5mm height, E-IDE interface
Ultrabay Plus	24X CD/ 8X DVD/ 8X, 4X, 24X Max CD-RW/ CD-RW- DVD (Combo)/ Bay Battery support, NEATS
Modem	V.90 Soft modem (MDC or Livingstone modem) Integrated CDC soft modem on the Intel ICH3 AC link DMA engine 56 Kbps Data /Fax Modem.
Ethernet	Intel Ethernet LOM
IEEE 1394 (on planar)	On planar (Pop/ Depop) Ti TSB43AB21 1394 controller on board  IEEE 1394.a 4–pin connector –no cable power 100 Mbps, 200 Mbps and 400 Mbps.





<b>Feature</b>	<b>Description</b>
CDC	One CDC slot (MDC)
Mini-PCI	One Mini-PCI slot (802. 11b-Modem Combo) or Mini-PCI slot (802. 11b)
Antenna (By Model)	Yes
PC Card (PCMCIA)	T2x1 or T3x1 (Cardbus w/o ZV Port) Two Type I/II or oneType III
ThinkLight	Yes
IR	Yes
I/O ports	External monitor  Parallel  CRT  Two USB  Headphone  Mic-in  Speaker-out  Telephone (RJ11)  LAN (RJ45)  TV-out (S-Video)  Docking (for port Replicator)  DC-in  IEEE 1394 port (IEEE 1394 mode only)
Security chip support	TCPA Security
Power	72-Watt AC Adapter  8-cell Li-Ion Intelligent Battery Pack
BIOS	IBM BIOS

## **Status indicators**


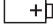

The system-status indicators on the computer show the current status of your computer by their on or off states and colors (green and orange). Each indicator is identified with a symbol. The following shows the location and the

meaning of each icon:

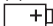



Symbol	Color	Meaning
(1) Drive in use 	Green	Data is being read from or written to the hard disk. Do not enter standby mode or power off the computer when this indicator is on.
(2) Numeric lock 	Green	The numeric keypad on the keyboard is enabled. You enable or disable the keypad by pressing and holding the <b>Shift</b> key, and pressing the <b>NumLk</b> key. For details, see the <i>User's Reference</i> .
(3) Caps lock 	Green	Caps Lock mode is enabled. All alphabetic characters (A-Z) are entered in capital letters without the <b>Shift</b> key being pressed. You enable or disable the Caps Lock mode by pressing the <b>Caps Lock</b> key.
(4) Scroll lock 	Green	Scroll Lock mode is enabled. The <b>Arrow</b> keys can be used as screen-scroll function keys. The cursor cannot be moved with the <b>Arrow</b> keys. <i>Not all application programs support this function.</i> You enable or disable Scroll Lock mode by pressing the <b>ScrLk</b> key.



Symbol	Color	Meaning
(5) Power on 	Green	The computer is operational. This indicator is on when the computer is on.
(6) Battery status 	Green	Enough battery power remains for operation.
	Blinking green	The battery power charges up to 80% full power
	Blinking orange	The battery pack needs to be charged
	Orange	The battery pack is being charged.
(7) Standby mode 	Green	The computer is in standby mode



Symbol	Color	Meaning
(1) Battery status 	Green	Enough battery power remains for operation.
	Blinking green	The battery power charges up to 80% full power
	Blinking orange	The battery pack needs to be charged
	Orange	The battery pack is being charged.
(2) Standby mode 	Green	The computer is in standby mode

## FRU tests

The following table shows the applicable test for each FRU using PC-Doctor.

FRU	Applicable test
System board	<ol style="list-style-type: none"><li>1. CPU/Coprocessor (<b>Diagnostics</b>)</li><li>2. System board (<b>Diagnostics</b>)</li></ol>
Power	Battery ( <b>Diagnostics</b> )
LCD unit	<ol style="list-style-type: none"><li>1. Video Adapter (<b>Diagnostics</b>)</li><li>2. Video (<b>Interactive Tests</b>)</li></ol>
Modem	<ol style="list-style-type: none"><li>1. Make sure the modem set up correctly.</li><li>2. Replacing the modem jack and modem card one at a time, run the modem tests in Other Devices (<b>Diagnostics</b>)</li></ol>
Audio	Internal Speaker ( <b>Interactive Tests</b> )  Stereo Speaker ( <b>Interactive Tests</b> )
Speaker	System beeper: Internal Speaker ( <b>Interactive Tests</b> )
PC Card slots	System board ( <b>Diagnostics</b> )
Keyboard	<ol style="list-style-type: none"><li>1. Keyboard (<b>Diagnostics</b>)</li><li>2. Keyboard (<b>Interactive Tests</b>)</li></ol>
TrackPoint or Pointing device	<p>If the TrackPoint does not work, see if an external PS/2 mouse is connected to the mouse/keyboard connector and remove it. The TrackPoint is automatically disabled if an external PS/2 mouse is attached. Check also if the TrackPoint driver is correctly installed by accessing Windows Device Manager via the System icon in the Control Panel.</p> <p>After you use the TrackPoint, the pointer drifts on the screen for a short time. This self-acting pointer movement can occur when a slight, steady pressure is applied to the TrackPoint pointer. This symptom is not a hardware problem. No service actions are necessary if the pointer movement stops in a short period of time.</p> <p>If this does not correct the TrackPoint problem, continue with the following: Mouse (<b>Interactive Tests</b>).</p>
Hard disk drive	Fixed Disks ( <b>Diagnostics</b> )
CD-ROM drive	CD-ROM, DVD, CD-RW, DVD/CD-RW ( <b>Interactive Tests</b> )

FRU	Applicable test
Memory	<ol style="list-style-type: none"> <li>1. If a DIMM is installed, remove it and run Memory Test-Quick (<b>Diagnostics</b>)</li> <li>2. If the problem does not recur, replace the DIMM and run the test again.</li> <li>3. If the test does not detect the error, run Memory Test-Full (<b>Diagnostics</b>)</li> </ol>
Fan	<ol style="list-style-type: none"> <li>1. Power on system and check the air turbulence at the louver at the rear of the computer.</li> <li>2. Run the fan test in Other Devices (<b>Diagnostics</b>).</li> </ol>

## FRU removals and replacements

This section contains information about removals and replacements.

- Do not damage any parts. Only certified and trained personnel should service the computer.
- The arrows in this section show the direction of movement to remove a FRU, or to turn a screw to release the FRU. The arrows are marked in numeric order, in square callout, to show the correct sequence of removal.
- Any FRUs that must be removed before removing the failing FRU are listed at the top of the page.
- To replace a FRU, reverse the removal procedure and follow any notes that pertain to replacement. See “Locations” on page 98 for internal cable connections and arrangement information.
- When replacing a FRU, use the correct screw size, as shown in the procedure.

### Safety Notice 1

Translations in “Safety Notices (Multi-lingual Translations)” section: Before the computer is powered-on after FRU replacement, make sure all screws, springs, or other small parts are in place and are not left loose inside the computer. Verify this by shaking the computer and listening for rattling sounds. Metallic parts or metal flakes can cause electrical shorts.

### Safety Notice 3

Translations in “Safety Notices (Multi-lingual Translations)” section: The battery pack contains small amounts of nickel. Do not disassemble it, throw it into fire or water, or short-circuit it. Dispose of the battery pack as required by local ordinances or regulations. Use only the battery in the appropriate parts listing when replacing the battery pack. Use of an incorrect battery can result in ignition or explosion of the battery.

### **Safety Notice 8**

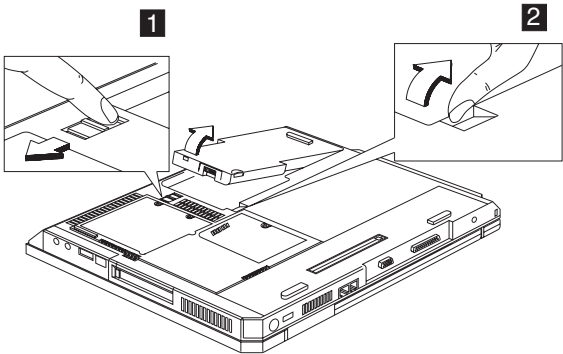
Translations in "Safety Notices (Multi-lingual Translations)" section: Before removing any FRU, power-off the computer, unplug all power cords from electrical outlets, remove the battery pack, then disconnect any interconnecting cables.

**Attention:** The system board is sensitive and can be damaged by electronic discharge. Establish personal grounding by touching a ground point with one hand before touching these units.

An electrostatic discharge (ESD) strap (P/N: 6405959) must be used to establish personal grounding.

**Note:** When disassembling the computer, please follow the numerical and alphabetical orders such as 1a, 1b, 1c, 1d, 2, 3, 4. Please note that when you assemble the computer, the sequence marked in number and alphabets should be reversed, for instance, 4, 3, 2, 1d, 1c, 1b, 1a.

## **1010 Battery Disassembly**



### **Warning**

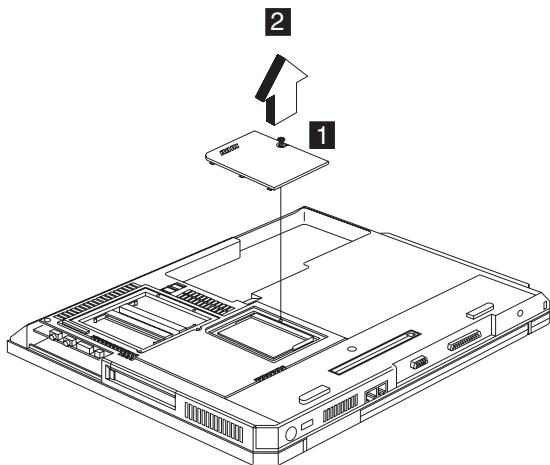
Battery packs are capable of delivering high currents for a significant amount of time. Do not short the battery terminals.

### **CAUTION:**

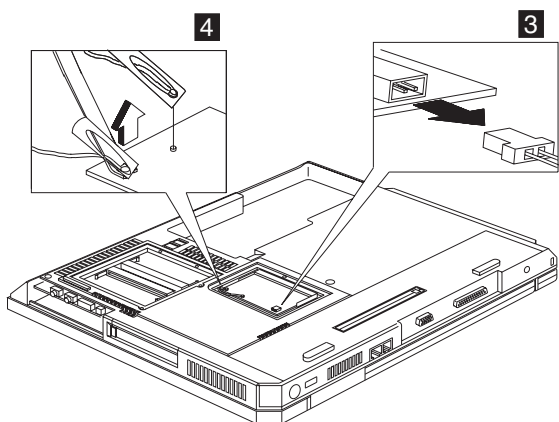
**Danger of explosion if battery is incorrectly replaced. Replace only with the same or equivalent type recommended by the manufacturer. Dispose of used batteries according to the manufacturer's instructions.**

## 1020 Mini-PCI cover and Mini-PCI card Disassembly

- “1010 Battery Disassembly” on page 183

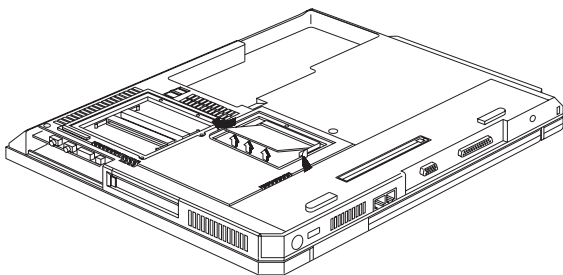


**Note:** The screw does not separate from the PCI cover.



**Note:** There are 2 cables on step 4 : The gray cable is the main antenna and the black cable is the auxiliary antenna. There is no step 3 if the Mini-PCI card is not stalled, then this cable will be connected to the

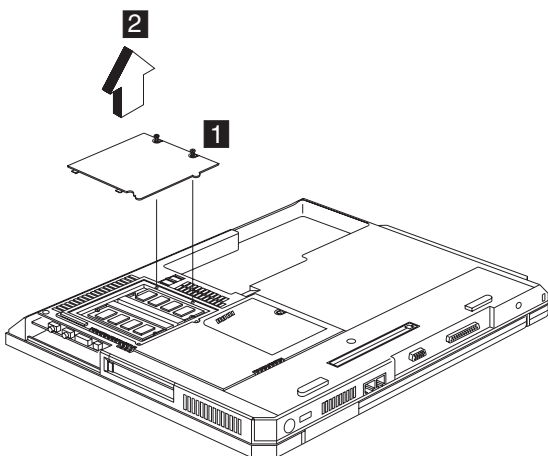
CDC card.



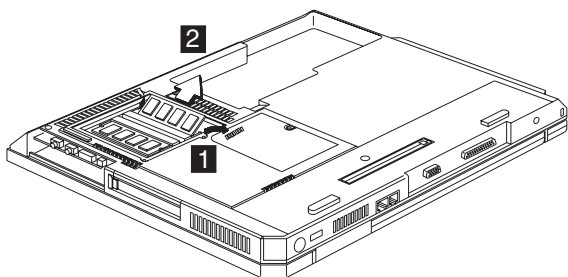
**Note:** When you install the PCI card, remember to insert it into its socket at 20°, press it down and ensure the connection is well.

## 1030 Memory cover and Memory card Disassembly

- “1010 Battery Disassembly” on page 183

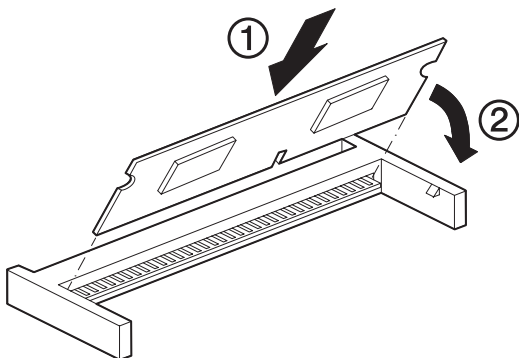


**Note:** The screws do not separate from the memory cover.

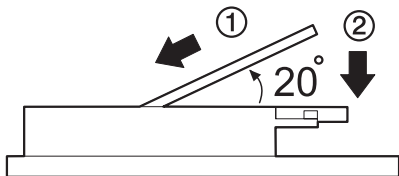


To install the memory card:

With the notched end of the memory card toward the right side of the socket, insert the memory card, at an angle of approximately 20°, into the socket; then press it firmly. Pivot the memory card until it snaps into place.



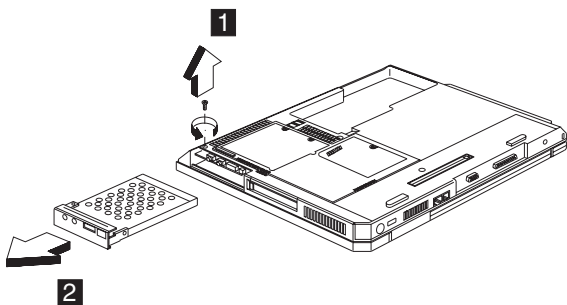
Side View



## 1040 Hard Disk Drive Disassembly

- “1010 Battery Disassembly” on page 183





Step	Size (Quantity)	Color	Torque
1	M3 x L3.5 (1)	Black	3.2 kgf-cm

### Warning

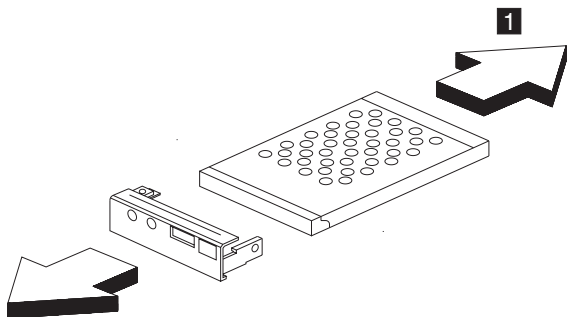
Do not drop or apply any shock to the hard disk drive. The hard disk drive is sensitive to physical shock. Incorrect handling can cause damage and permanent loss of data on the drive.

Before removing the drive, have the user make a backup copy of all the information on the drive if possible.

Never remove the drive while the system is operating or is in suspend mode.

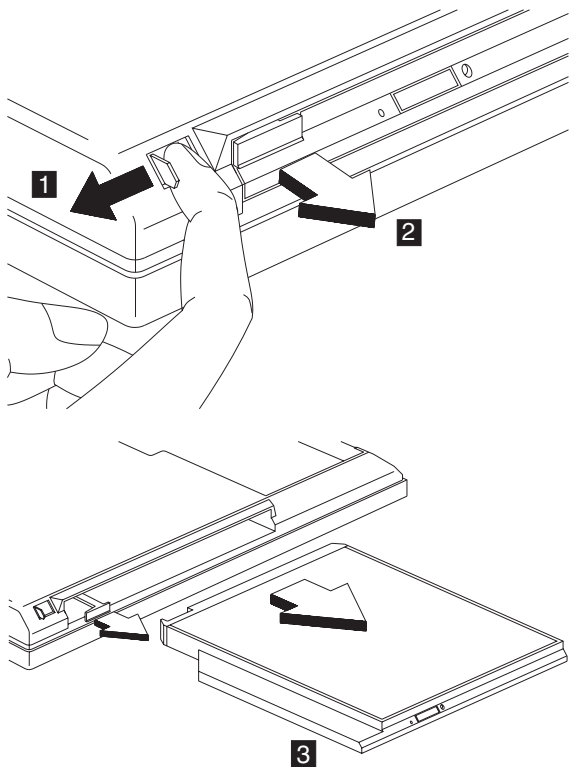
## 1050 Hard Disk Drive Cover Disassembly

- “1010 Battery Disassembly” on page 183



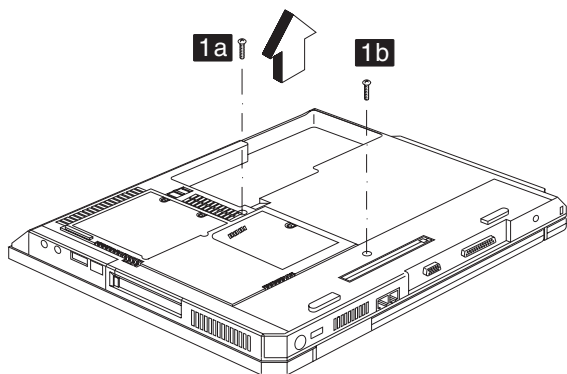
## 1060 CD-ROM Disassembly

- “1010 Battery Disassembly” on page 183

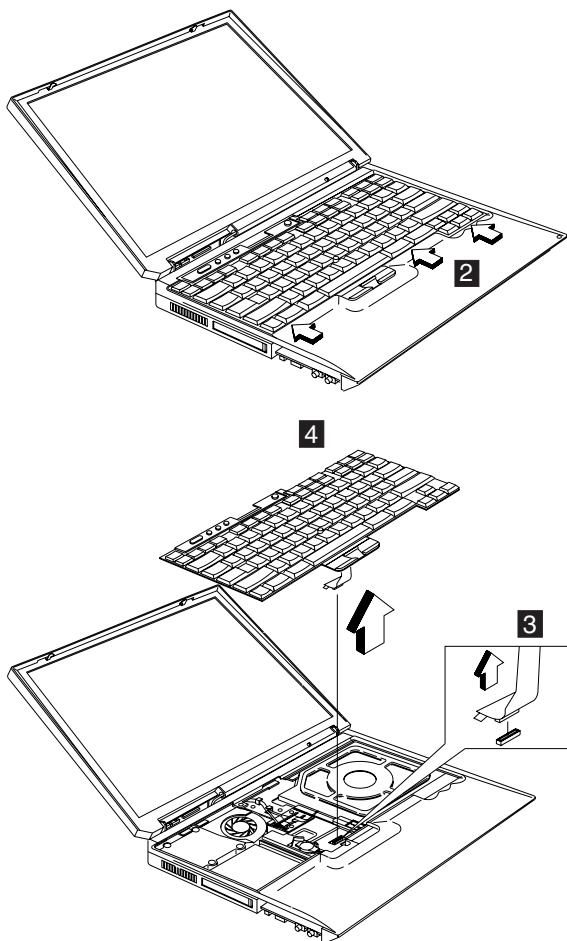


## 1070 Keyboard Disassembly

- “1010 Battery Disassembly” on page 183



Step	Size (Quantity)	Color	Torque
1	M2.5 x L10 (2)	Black	3.2 kgf-cm

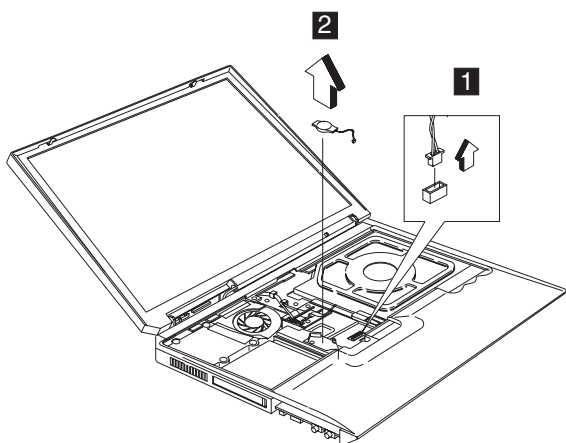


### Notes:

1. When replacing the keyboard, make sure that the cable is clean and insert it directly into the connector, making sure it makes contact with the bottom of the connector.
2. If the cable do not touch the bottom of the connector, the keyboard function will be rendered useless.
3. The cable of the keyboard are fragile and could be damaged. Be careful when pulling out the cable.

### 1080 Backup Battery Disassembly

- “1010 Battery Disassembly” on page 183
- “1070 Keyboard Disassembly” on page 188



**CAUTION:**

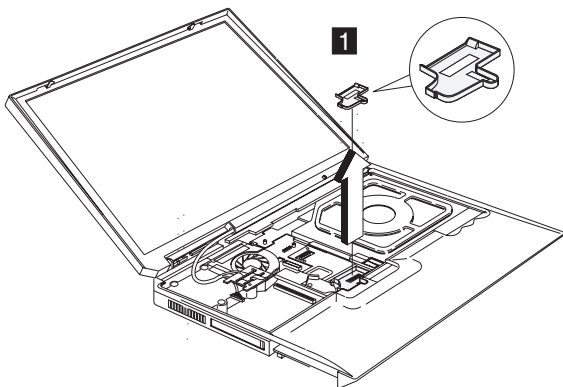
**Danger of explosion if battery is incorrectly replaced. Replace only with the same or equivalent type recommended by the manufacturer. Dispose of used batteries according to manufacturer's instruction.**

**Safety Notice 4**

Translation in "Safety Notices: Multi-lingual Translations" section: The backup battery is a lithium battery and can cause a fire, an explosion, or severe burns. Do not recharge it, remove its polarized connector, disassemble it, heat it above 100°C (212°F), incinerate it, or expose its cell contents to water. Dispose of the battery as required by local ordinances or regulations. Use of an incorrect battery can result in ignition or explosion of the battery. Replacement batteries can be ordered from IBM or IBM Authorized Dealers.

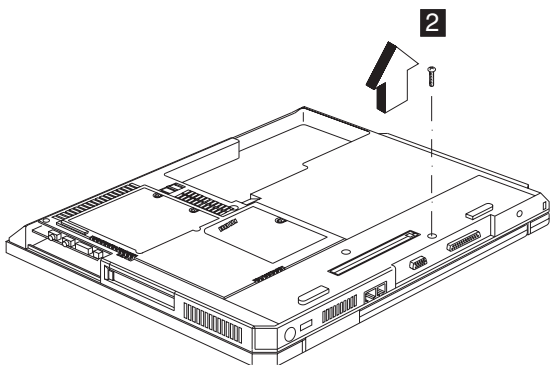
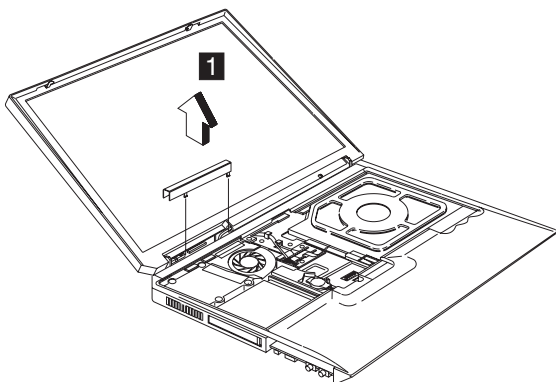
**1090 Safety Cover Disassembly**

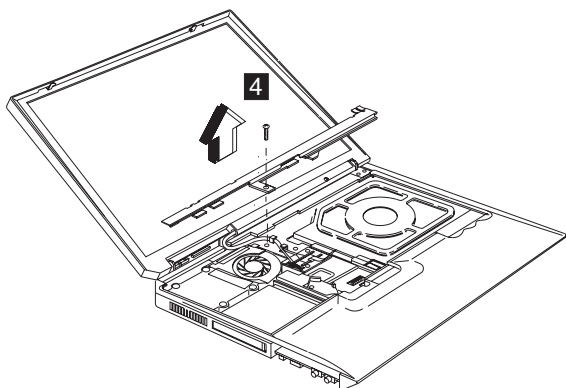
- "1010 Battery Disassembly" on page 183
- "1070 Keyboard Disassembly" on page 188



### 1100 Middle Cover Disassembly

- “1010 Battery Disassembly” on page 183
- “1070 Keyboard Disassembly” on page 188

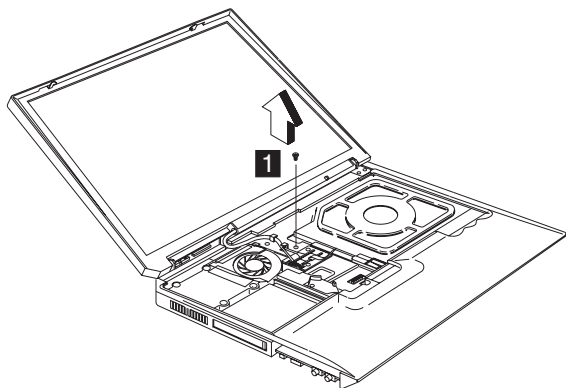




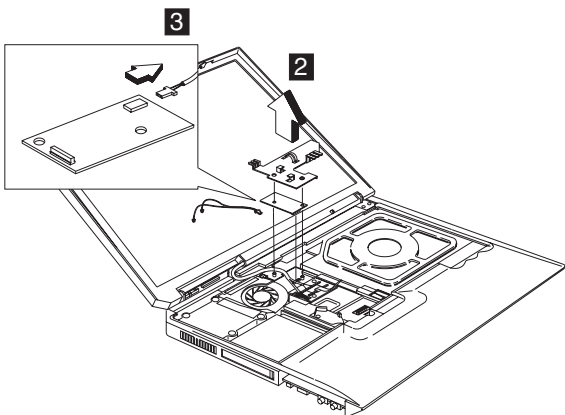
Step	Size (Quantity)	Color	Torque
2	M2.5 x L10 (1)	Black	3.2 kgf-cm
4	M2.5 x L5 (1)	Silver	2.5 kgf-cm

## 1110 CDC Cover Disassembly

- “1010 Battery Disassembly” on page 183
- “1020 Mini-PCI cover and Mini-PCI card Disassembly” on page 184
- “1070 Keyboard Disassembly” on page 188
- “1100 Middle Cover Disassembly” on page 191



Step	Size (Quantity)	Color	Torque
1	M2.5 x L5 (1)	Silver	2.5 kgf-cm

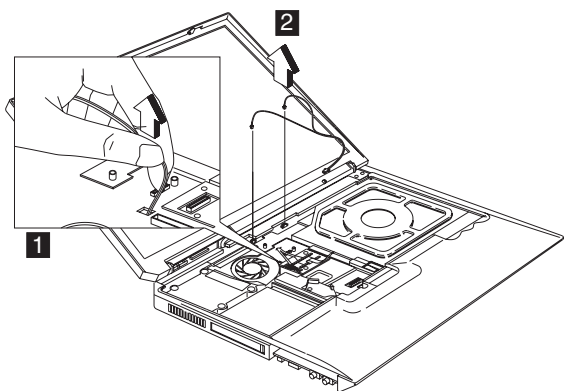


**Notes:**

1. If the Thinkpad R32 products are equipped with the Mini-PCI card, then the CDC modem card will not be installed. The procedure of "cdc-card" referred above should be skipped.

**1120 Modem Cable Disassembly (Without CDC Modem Card)**

- "1010 Battery Disassembly" on page 183
- "1020 Mini-PCI cover and Mini-PCI card Disassembly" on page 184
- "1070 Keyboard Disassembly" on page 188
- "1100 Middle Cover Disassembly" on page 191
- "1110 CDC Cover Disassembly" on page 192



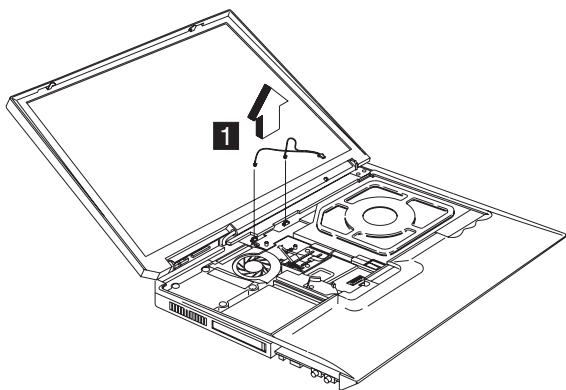
**Notes:**

1. If the Thinkpad R32 products are equipped with the Mini-PCI card, the CDC modem card will not be

installed. The modem cable will then be connected to the Mini-PCI card. Refer to "Mini-PCI card" disassembly procedure to disconnect the modem cable.

## 1130 Modem Cable Disassembly (With CDC Modem Card)

- "1010 Battery Disassembly" on page 183
- "1070 Keyboard Disassembly" on page 188
- "1100 Middle Cover Disassembly" on page 191
- "1110 CDC Cover Disassembly" on page 192



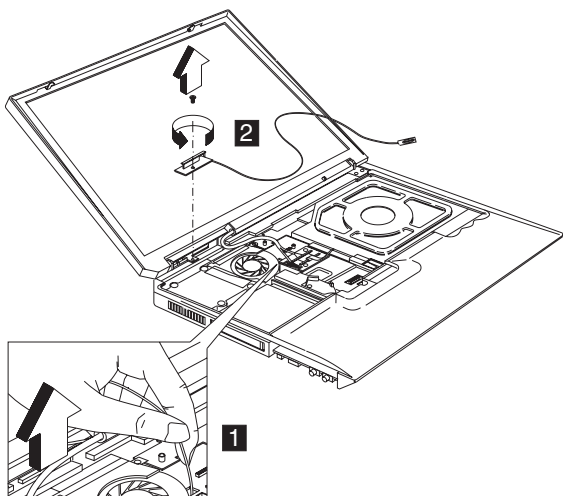
### Notes:

1. If the Thinkpad R32 products are equipped with the CDC modem card, the wireless LAN board will not be installed. The modem cable will then be connected to the CDC modem card. Refer to "CDC modem card" disassembly procedure to disconnect the modem cable.

## 1140 Auxiliary Antenna Disassembly

- "1010 Battery Disassembly" on page 183
- "1020 Mini-PCI cover and Mini-PCI card Disassembly" on page 184
- "1070 Keyboard Disassembly" on page 188
- "1100 Middle Cover Disassembly" on page 191
- "1110 CDC Cover Disassembly" on page 192



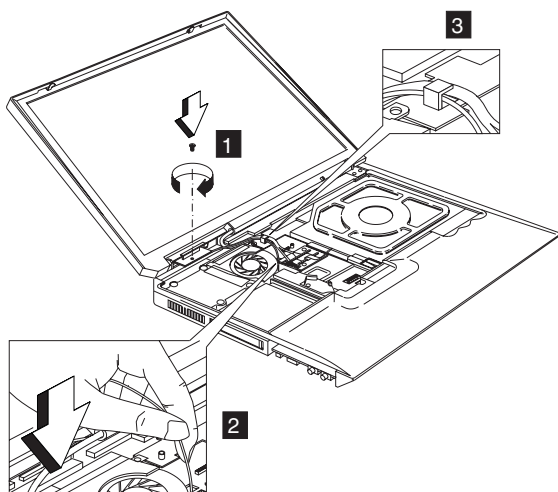


Step	Size (Quantity)	Color	Torque
2	M2 x L2.5(1)	Silver	2.0 kgf-cm

**Note:** Release the black cable, which is the auxiliary antenna from the system.

### 1150 Auxiliary Antenna Reassembly

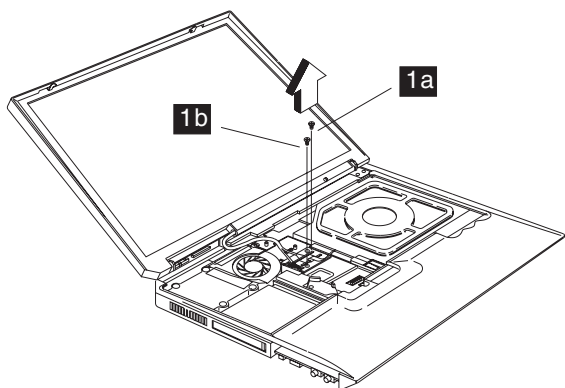
- “1010 Battery Disassembly” on page 183
- “1020 Mini-PCI cover and Mini-PCI card Disassembly” on page 184
- “1070 Keyboard Disassembly” on page 188
- “1100 Middle Cover Disassembly” on page 191
- “1110 CDC Cover Disassembly” on page 192



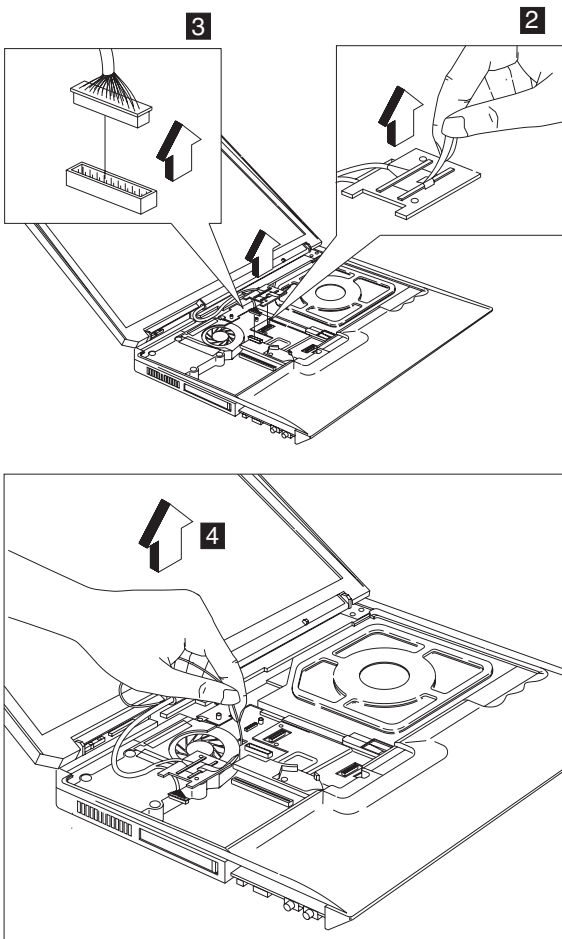
**Note:** Please follow number 1, 2, 3 to reinsert the auxiliary antenna and arrange the cable well based on the above drawing.

## 1160 Coaxial Cable and Inverter Cable Disassembly

- “1010 Battery Disassembly” on page 183
- “1020 Mini-PCI cover and Mini-PCI card Disassembly” on page 184
- “1070 Keyboard Disassembly” on page 188
- “1100 Middle Cover Disassembly” on page 191
- “1110 CDC Cover Disassembly” on page 192



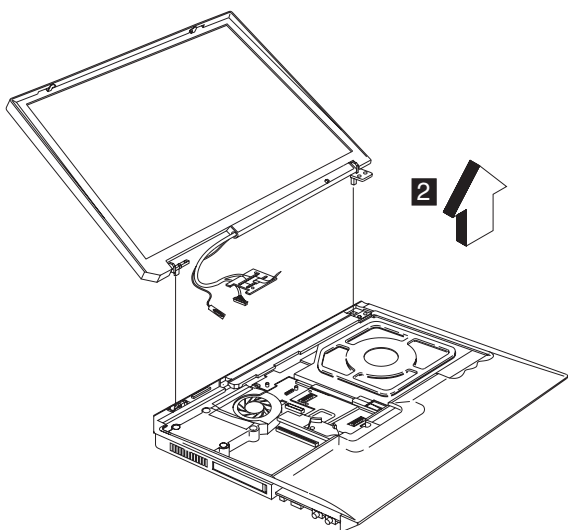
Step	Size (Quantity)	Color	Torque
1	M2.5 x L5 (2)	Silver	2.5 kgf-cm



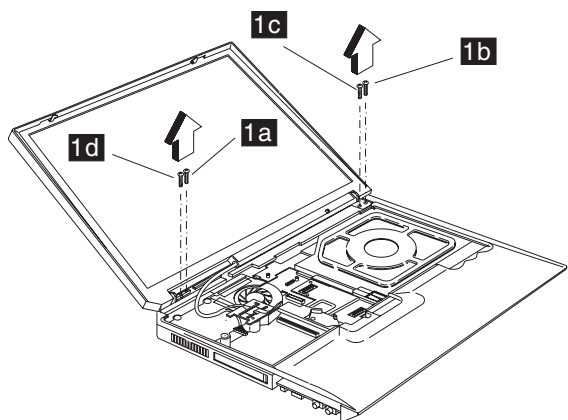
**Note:** Release the gray cable, which is the main antenna from the system.

## 1170 LCD Disassembly

- “1010 Battery Disassembly” on page 183
- “1020 Mini-PCI cover and Mini-PCI card Disassembly” on page 184
- “1070 Keyboard Disassembly” on page 188
- “1100 Middle Cover Disassembly” on page 191
- “1110 CDC Cover Disassembly” on page 192

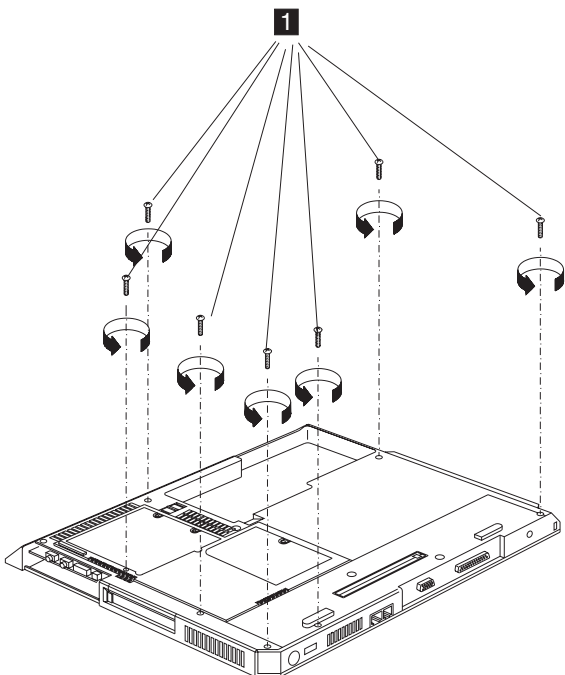


Step	Size (Quantity)	Color	Torque
1	M2.5 x L10 (4)	Black	3.2 kgf-cm

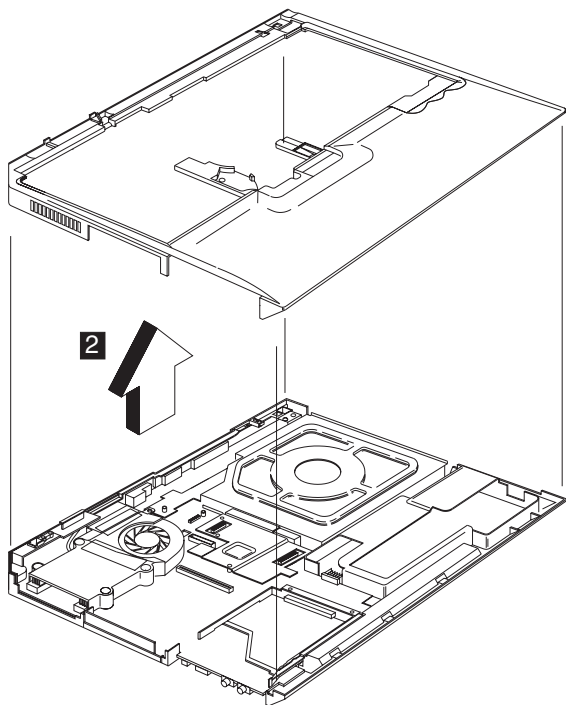


## 1180 Keyboard bezel Disassembly

- “1010 Battery Disassembly” on page 183
- “1020 Mini-PCI cover and Mini-PCI card Disassembly” on page 184
- “1040 Hard Disk Drive Disassembly” on page 186
- “1070 Keyboard Disassembly” on page 188
- “1100 Middle Cover Disassembly” on page 191
- “1170 LCD Disassembly” on page 197



Step	Size (Quantity)	Color	Torque
1	M2.5 x L10 (7)	Black	3.2 kgf-cm

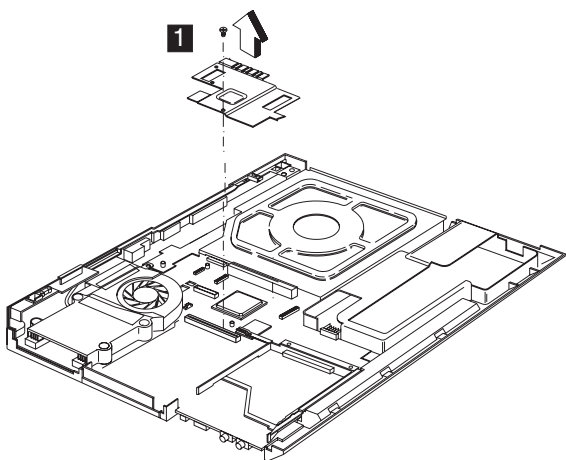


**CAUTION:**

The keyboard bezel has several latches. When removing the keyboard bezel from the bottom cover, gently release these latches, then raise the side of the keyboard bezel facing the palm rest to remove it. Be careful not to break the latches.

### 1190 VGA Heat Sink Disassembly

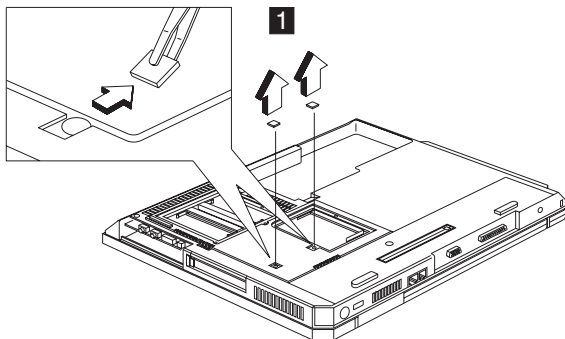
- “1010 Battery Disassembly” on page 183
- “1020 Mini-PCI cover and Mini-PCI card Disassembly” on page 184
- “1040 Hard Disk Drive Disassembly” on page 186
- “1070 Keyboard Disassembly” on page 188
- “1090 Safety Cover Disassembly” on page 190
- “1100 Middle Cover Disassembly” on page 191
- “1170 LCD Disassembly” on page 197
- “1160 Coaxial Cable and Inverter Cable Disassembly” on page 196
- “1180 Keyboard bezel Disassembly” on page 198

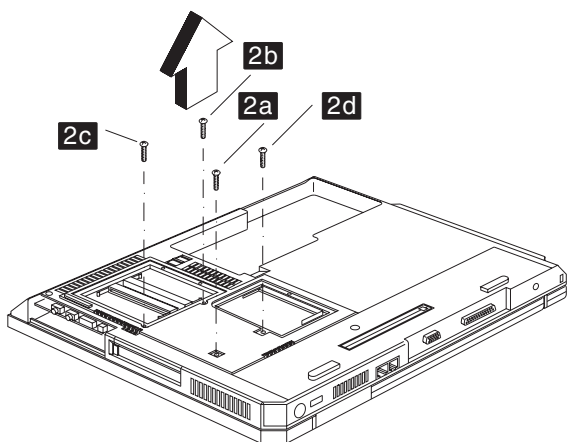


Step	Size (Quantity)	Color	Torque
1	M2.5 x L5 (1)	Silver	2.5 kgf-cm

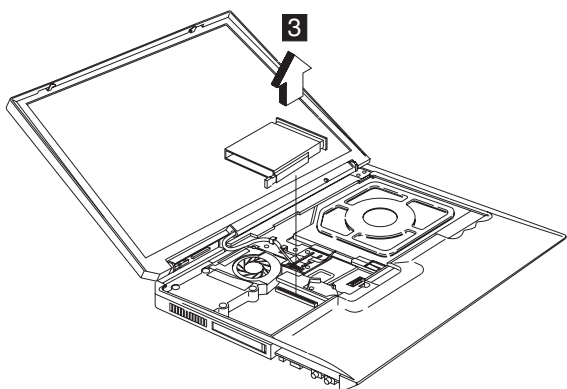
## 1200 PCMCIA Holder Disassembly

- “1010 Battery Disassembly” on page 183
- “1070 Keyboard Disassembly” on page 188
- “1030 Memory cover and Memory card Disassembly” on page 185





Step	Size (Quantity)	Color	Torque
2	M2 x L6 (4)	Silver	1.6 kgf-cm

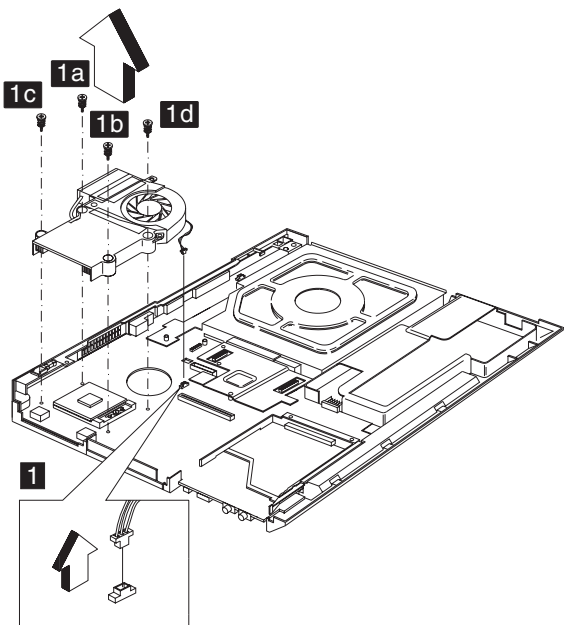


**Note:** Before removing and replacing the PCMCIA holder, make sure that the PCMCIA cards are removed and the eject levers are sticking out.

### 1210 Heat Sink Module Disassembly

- “1010 Battery Disassembly” on page 183
- “1070 Keyboard Disassembly” on page 188
- “1100 Middle Cover Disassembly” on page 191



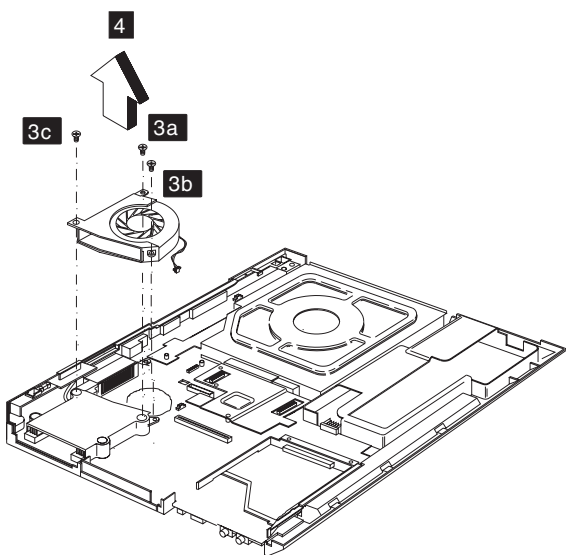
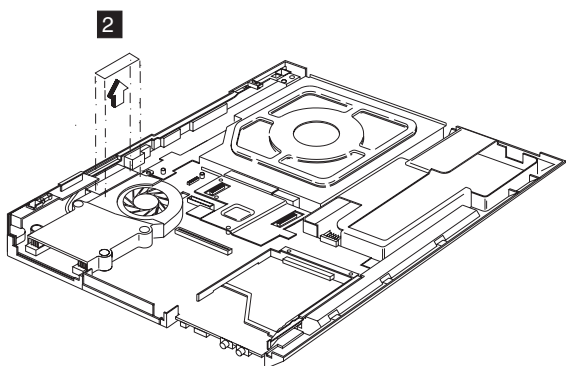
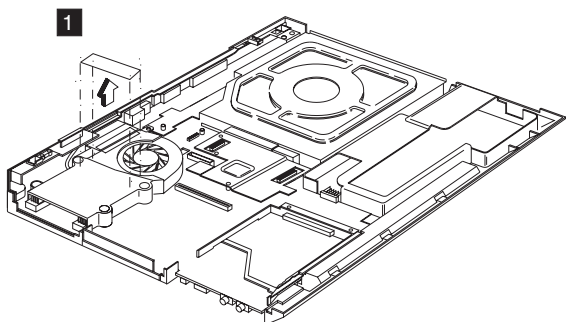


Step	Size (Quantity)	Color	Torque
1	CPU Special Screw(4)	Silver	2.5 kgf-cm

**Note:** Thermal Pad must be replaced when either Heat Sink Module, CPU or System Board is replaced. Thermal Pad is stuck on the bottom side of Heat Sink Module with adhesive. Do not re-use the thermal pad.

## 1220 Fan Disassembly

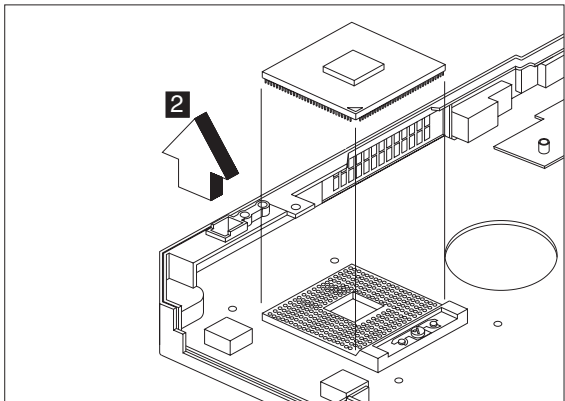
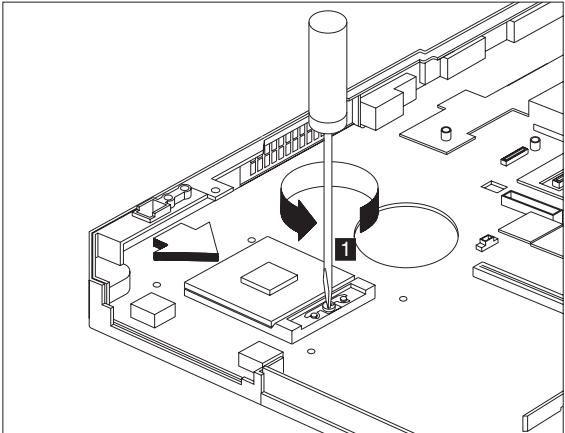
- “1010 Battery Disassembly” on page 183
- “1070 Keyboard Disassembly” on page 188
- “1100 Middle Cover Disassembly” on page 191



Step	Size (Quantity)	Color	Torque
3	M2.5 x L5 (3)	Silver	2.5 kgf-cm

## 1230 CPU Disassembly

- “1010 Battery Disassembly” on page 183
- “1070 Keyboard Disassembly” on page 188
- “1100 Middle Cover Disassembly” on page 191
- “1210 Heat Sink Module Disassembly” on page 202

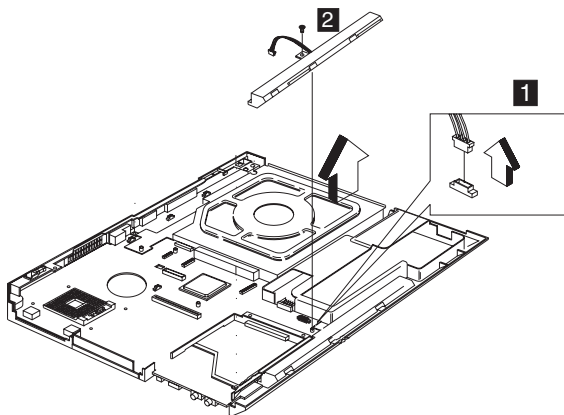


**Note:** Thermal Pad must be replaced when either Heat Sink Module, CPU or System Board is replaced. Thermal Pad is stuck on the bottom side of Heat Sink Module with adhesive. Do not re-use the thermal pad.

## 1240 Speaker Disassembly

- “1010 Battery Disassembly” on page 183

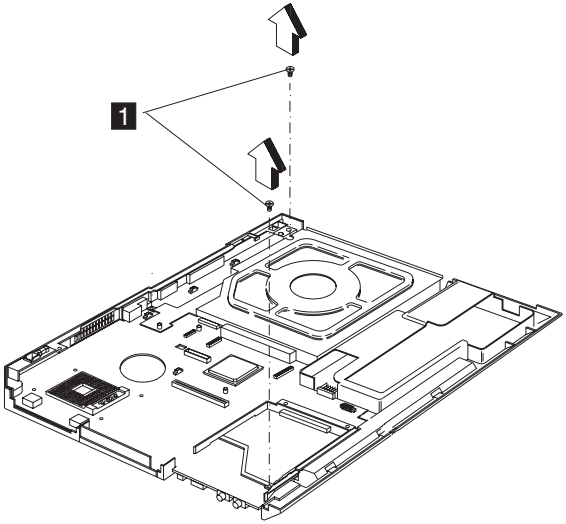
- “1020 Mini-PCI cover and Mini-PCI card Disassembly” on page 184
- “1040 Hard Disk Drive Disassembly” on page 186
- “1070 Keyboard Disassembly” on page 188
- “1100 Middle Cover Disassembly” on page 191
- “1170 LCD Disassembly” on page 197
- “1180 Keyboard bezel Disassembly” on page 198



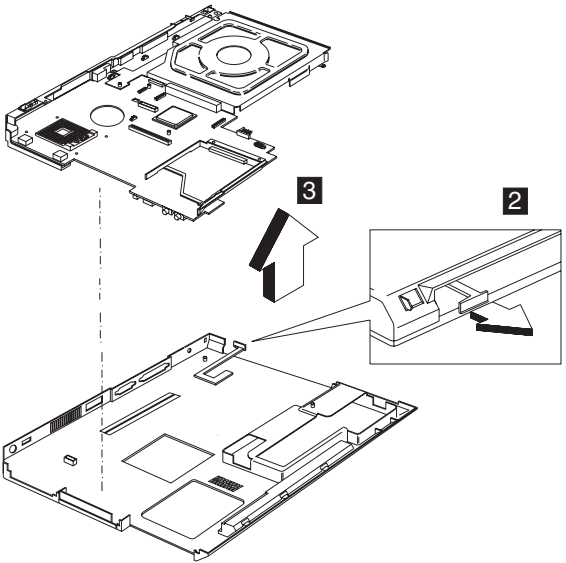
Step	Size (Quantity)	Color	Torque
2	M2.5 x L5(1)	Silver	2.5 kgf-cm

## 1250 System Board Disassembly

- “1010 Battery Disassembly” on page 123
- “1020 Mini-PCI cover and Mini-PCI card Disassembly” on page 184
- “1040 Hard Disk Drive Disassembly” on page 186
- “1060 CD-ROM Disassembly” on page 187
- “1070 Keyboard Disassembly” on page 188
- “1100 Middle Cover Disassembly” on page 191
- “1110 CDC Cover Disassembly” on page 192
- “1170 LCD Disassembly” on page 197
- “1180 Keyboard bezel Disassembly” on page 198
- “1240 Speaker Disassembly” on page 205



Step	Size (Quantity)	Color	Torque
1	M2.5 x L5(2)	Silver	2.5 kgf-cm



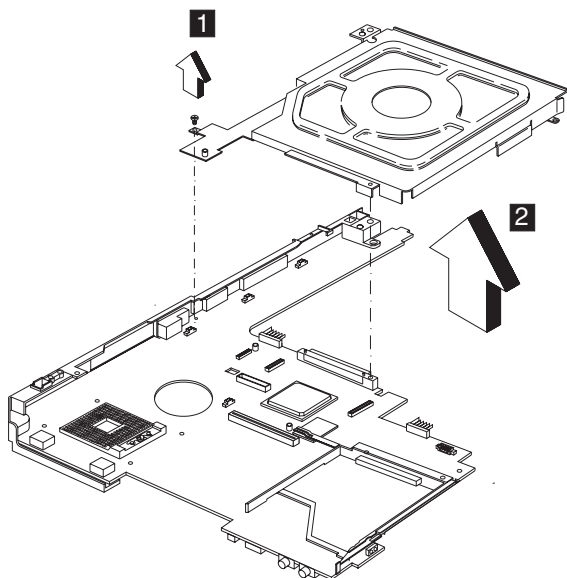
**Notes:**

1. When removing the system board from the bottom cover, gently raise the side of the system board facing the rear I/O ports; then pull out the system board.

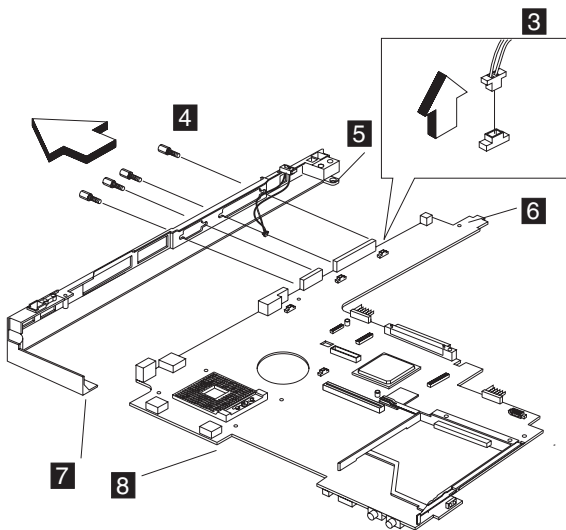
2. In step 2, further pull out this latch before the system board is attached to the lower case.
3. Thermal Pad must be replaced when either Heat Sink Module, CPU or System Board is replaced. Thermal Pad is stuck on the bottom side of Heat Sink Module with adhesive. Do not re-use the thermal pad.

## 1260 I/O Port Bracket Disassembly

- “1010 Battery Disassembly” on page 183
- “1020 Mini-PCI cover and Mini-PCI card Disassembly” on page 184
- “1040 Hard Disk Drive Disassembly” on page 186
- “1060 CD-ROM Disassembly” on page 187
- “1070 Keyboard Disassembly” on page 188
- “1100 Middle Cover Disassembly” on page 191
- “1110 CDC Cover Disassembly” on page 192
- “1170 LCD Disassembly” on page 197
- “1180 Keyboard bezel Disassembly” on page 198
- “1240 Speaker Disassembly” on page 205
- “1250 System Board Disassembly” on page 206



Step	Size (Quantity)	Color	Torque
1	M2.5 x L6	Silver	3.2 kgf-cm
2	M2 x L12	Silver	1.6 kgf-cm



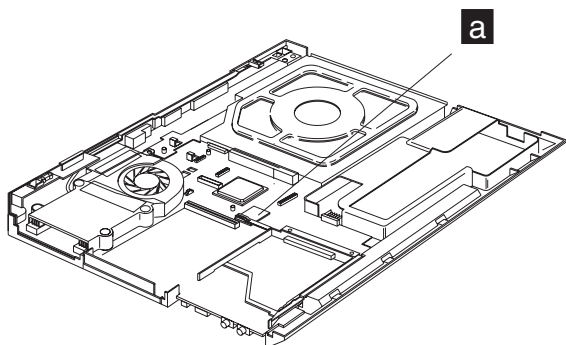
Step	Size (Quantity)	Color	Torque
4	Hex Screw(4)	Silver	2.5 kgf-cm

**Note:** When attaching the I/O port bracket to the system board, please pay special attention to the studs' positions as marked 5, 6, 7, 8. The one marked 5 should be installed above the one marked 6; the one marked number 7 should be aligned with and attached beneath the one marked number 8.

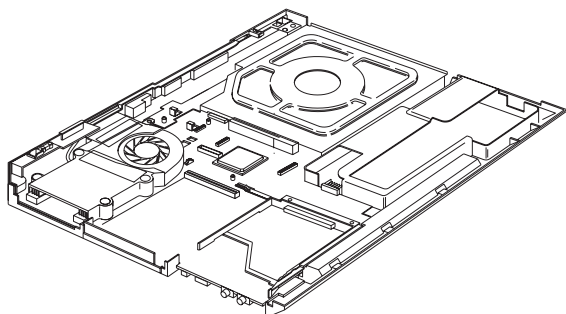
**CAUTION:**

There are several types of system board FRU for the ThinkPad R32 series, as followed:

- System board with IBM security chip



- System board without IBM security chip



Begin by checking the FRU number of the system board, and be sure to use the correct system board FRU for the computer. For the FRU numbers, see “Parts list” on page 161



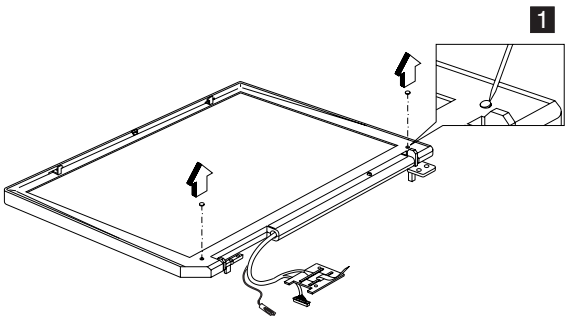
### Important

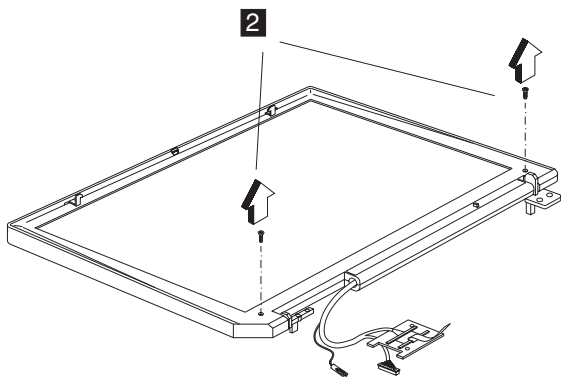
If the ThinkPad computer you are servicing has the security chip, mind the following:

- **Do not remove the security chip from the system board.** If the security chip is removed by accident, reinstall it on the system board immediately. Then make sure that it is firmly fixed on the system board and does not remove easily.
- The security chip **cannot** be used with any other system board.
- The system board **cannot** be used with any other security chip.
- The system board **cannot** be used without security chip
- When you return the defective system board FRU, you must check whether the security chip is firmly attached to the system board. If it is not embedded, it may not be covered under warranty.

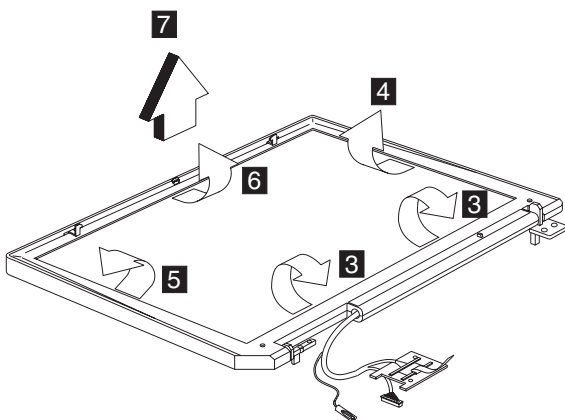
## 1270 LCD Bezel Disassembly (14.1")

- “1010 Battery Disassembly” on page 183
- “1020 Mini-PCI cover and Mini-PCI card Disassembly” on page 184
- “1070 Keyboard Disassembly” on page 188
- “1100 Middle Cover Disassembly” on page 191
- “1170 LCD Disassembly” on page 197





Step	Size (Quantity)	Color	Torque
2	M2.5 x L6(2)	Black	2.5 kgf-cm



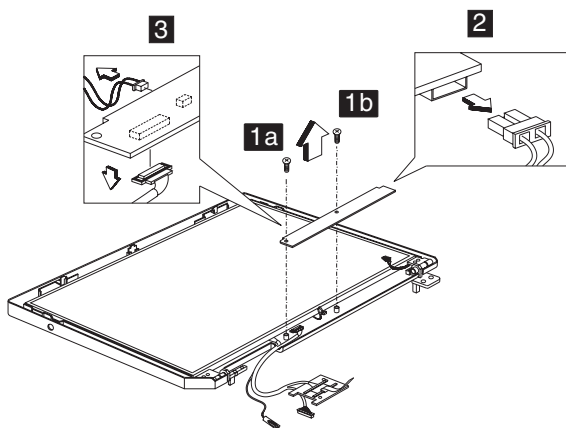
**Note:** When removing the LCD, take note of the following:

- Be careful not to scratch the LCD bezel when removing the screw mylars.
- The LCD bezel has several latches. Release these latches; then remove the LCD bezel. Be careful not to break these latches.
- Gently push the two LCD latches outward to remove the LCD bezel.

### 1280 LCD Inverter Disassembly(14.1")

- "1010 Battery Disassembly" on page 183
- "1020 Mini-PCI cover and Mini-PCI card Disassembly" on page 184
- "1070 Keyboard Disassembly" on page 188

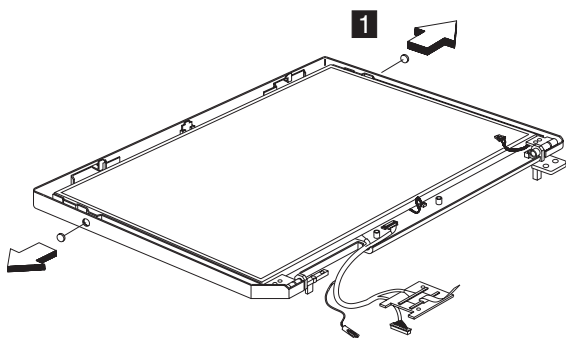
- “1100 Middle Cover Disassembly” on page 191
- “1170 LCD Disassembly” on page 197
- “1270 LCD Bezel Disassembly (14.1”)” on page 211

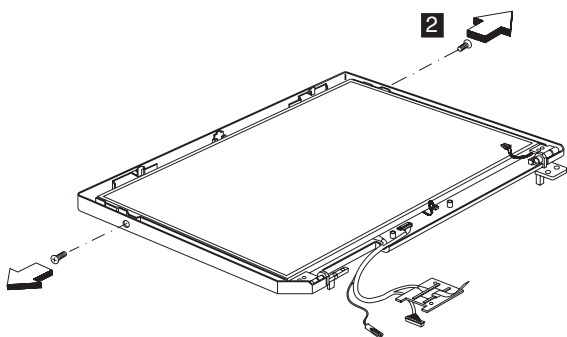


Step	Size (Quantity)	Color	Torque
1	M2 x L10(2)	Black	2.5 kgf-cm

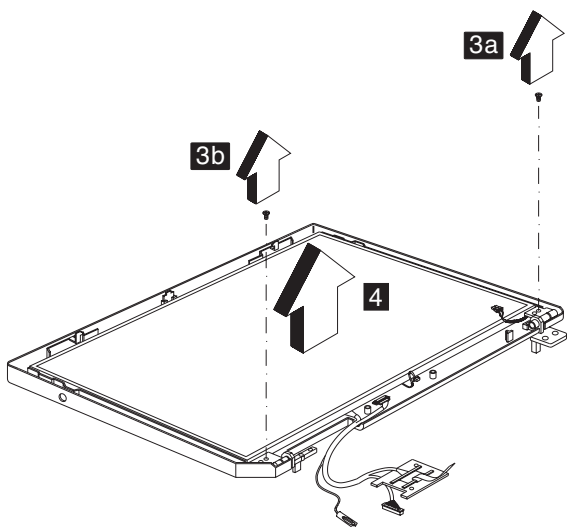
## 1290 LCD Board Disassembly(14.1")

- “1010 Battery Disassembly” on page 183
- “1020 Mini-PCI cover and Mini-PCI card Disassembly” on page 184
- “1070 Keyboard Disassembly” on page 188
- “1100 Middle Cover Disassembly” on page 191
- “1170 LCD Disassembly” on page 197
- “1270 LCD Bezel Disassembly (14.1”)” on page 211
- “1280 LCD Inverter Disassembly(14.1”)” on page 212



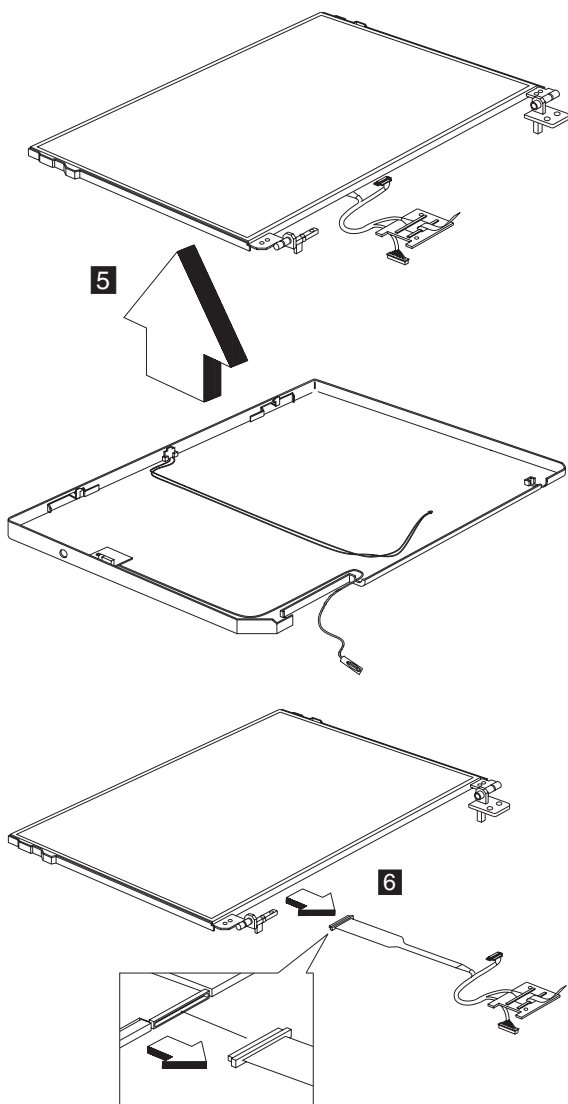


Step	Size (Quantity)	Color	Torque
2	M2 x L4(2)	Silver	2.5 kgf-cm



Step	Size (Quantity)	Color	Torque
3	M2.5 x L6(2)	Black	2.5 kgf-cm

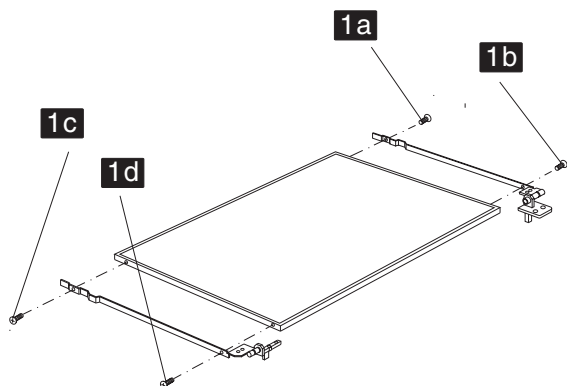
**Note:** Before step 4 of removing the LED board, please make sure the main antenna cable is lifted gently.



### **1300 LCD Bracket Hinges Disassembly (14.1")**

- "1010 Battery Disassembly" on page 183
- "1020 Mini-PCI cover and Mini-PCI card Disassembly" on page 184
- "1070 Keyboard Disassembly" on page 188

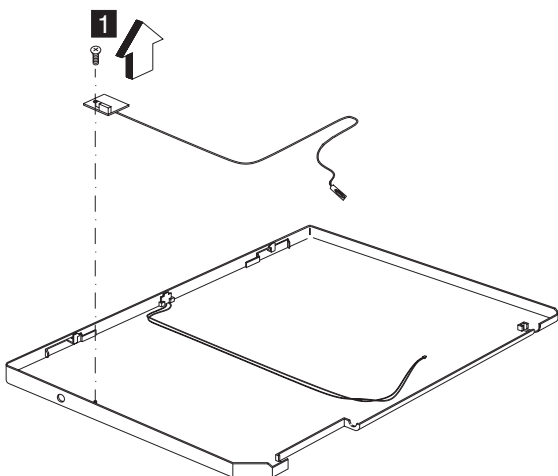
- “1100 Middle Cover Disassembly” on page 191
- “1170 LCD Disassembly” on page 197
- “1270 LCD Bezel Disassembly (14.1”)” on page 211
- “1280 LCD Inverter Disassembly(14.1”)” on page 212
- “1290 LCD Board Disassembly(14.1”)” on page 213



Step	Size (Quantity)	Color	Torque
1	M2 x L4 (4)	Silver	2.5 kgf-cm

### 1310 Main Antenna Disassembly(14.1")

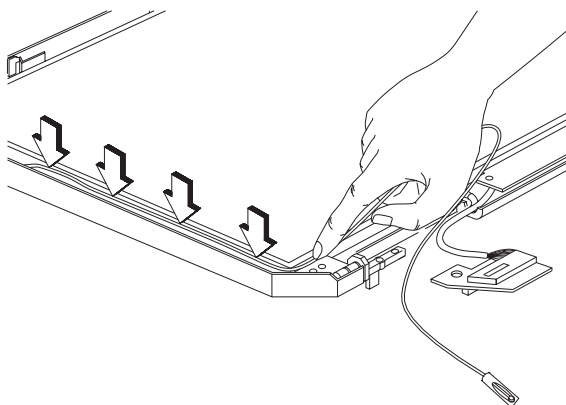
- “1010 Battery Disassembly” on page 183
- “1020 Mini-PCI cover and Mini-PCI card Disassembly” on page 184
- “1070 Keyboard Disassembly” on page 188
- “1100 Middle Cover Disassembly” on page 191
- “1170 LCD Disassembly” on page 197
- “1270 LCD Bezel Disassembly (14.1”)” on page 211
- “1280 LCD Inverter Disassembly(14.1”)” on page 212
- “1290 LCD Board Disassembly(14.1”)” on page 213
- “1300 LCD Bracket Hinges Disassembly (14.1”)” on page 215



Step	Size (Quantity)	Color	Torque
1	M2 x L4(1)	Silver	2.5 kgf-cm

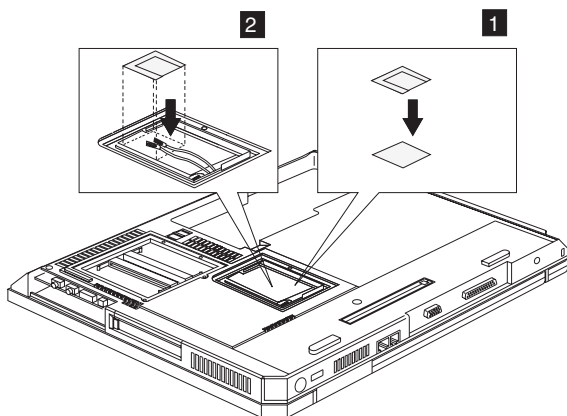
### 1320 Main Antenna Cable Reassembly

- “1010 Battery Disassembly” on page 183
- “1020 Mini-PCI cover and Mini-PCI card Disassembly” on page 184
- “1070 Keyboard Disassembly” on page 188
- “1100 Middle Cover Disassembly” on page 191
- “1170 LCD Disassembly” on page 197
- “1270 LCD Bezel Disassembly (14.1”)” on page 211
- “1280 LCD Inverter Disassembly(14.1”)” on page 212
- “1290 LCD Board Disassembly(14.1”)” on page 213
- “1300 LCD Bracket Hinges Disassembly (14.1”)” on page 215



### 1330 Mylar Assembly

- “1010 Battery Disassembly” on page 183
- “1020 Mini-PCI cover and Mini-PCI card Disassembly” on page 184



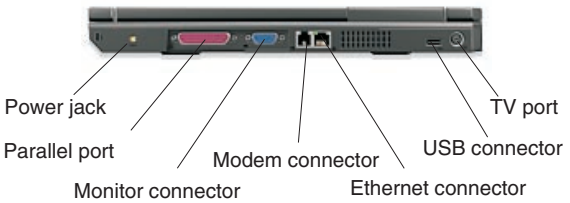


# Locations

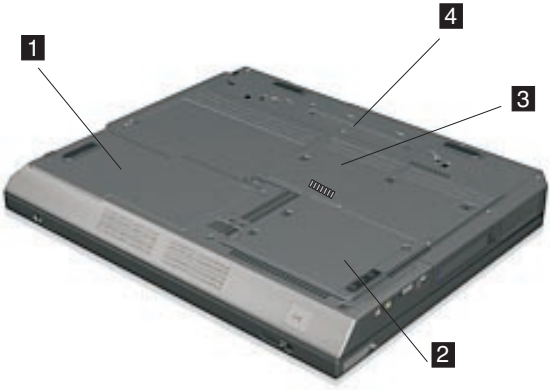
## Front View



## Rear View



# Bottom View

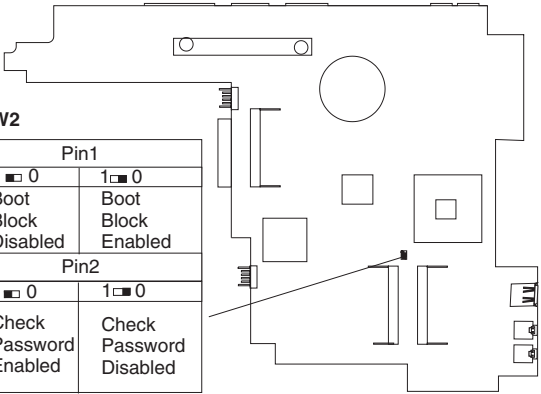


- 1. Battery pack
- 2. Memory slot door
- 3. Mini-PCI Card slot door
- 4. Docking connector

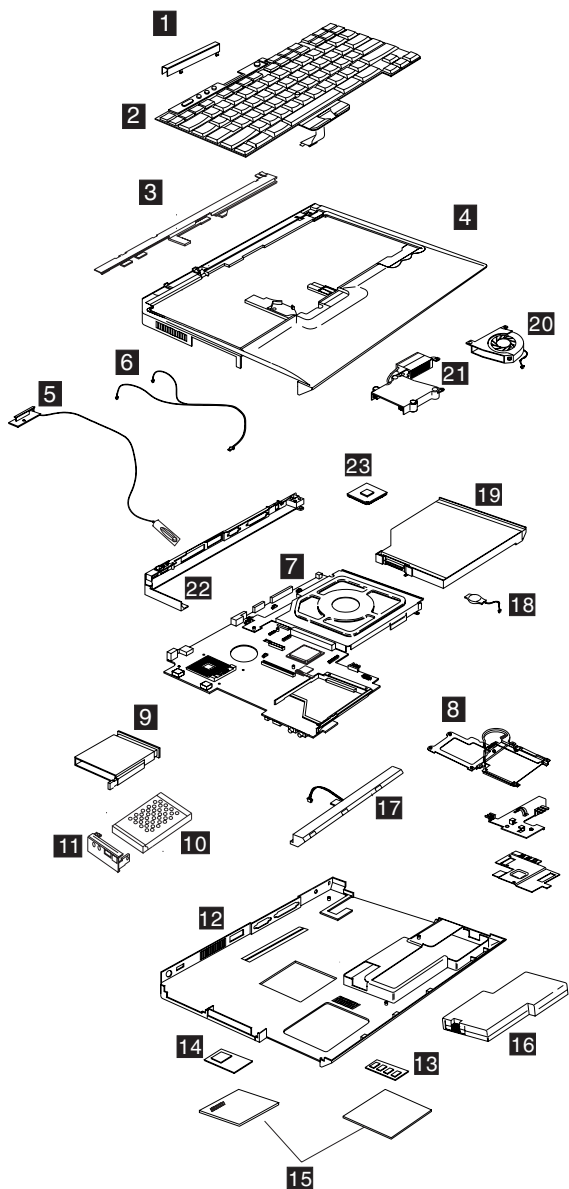
## Switch Locations

### SW2

Pin1	
1 <input type="checkbox"/> 0	1 <input type="checkbox"/> 0
Boot Block Disabled	Boot Block Enabled
Pin2	
1 <input type="checkbox"/> 0	1 <input type="checkbox"/> 0
Check Password Enabled	Check Password Disabled



## Parts list



**Note:** The parts marked with asterisk are CRUs (customer replaceable units.)

There are two levels of CRUs: Tier 1 and Tier 2. Tier 1 CRUs are identified by one asterisk (\*). Tier 2 CRUs are identified by 2 asterisks ( \*\* ).

Tier 1 CRUs are defined as those CRUs that meet the following criteria:

1. No tools required for removal or replacement.  
Exception: Coin, thumb screws are acceptable.
2. Minimal technical expertise required.
3. Minimal Problem Determination is required (less than 5 minutes).

Tier 2 CRUs are defined as those CRUs that meet the following criteria:

1. Some screw/fastener removals.
2. Some technical experience required.
3. Helpcenter assistance may be used.
4. Problem Determination can be done by customers or with Helpcenter assistance.

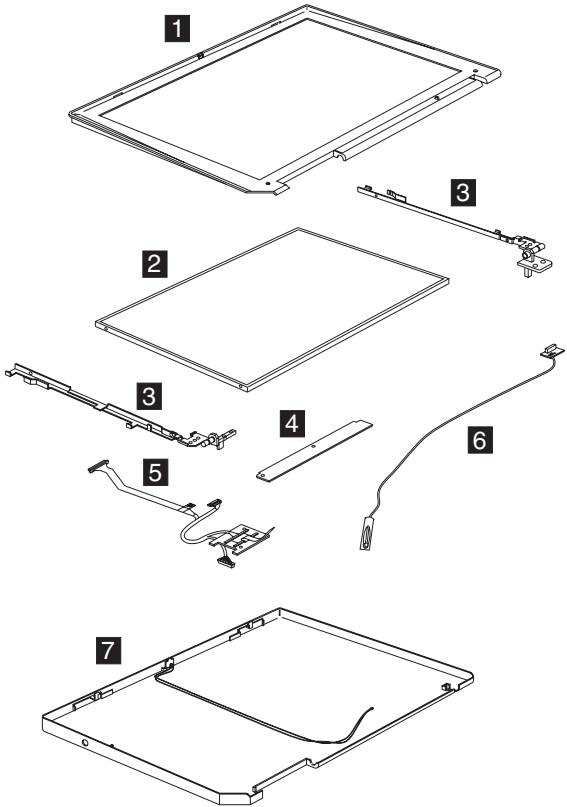
No.	Description	FRU No.
1	Hinge Cap	26P9722
	LG/ IBM Logo Kit	08K5860
3	Middle Cover Asm	46L6509
4	Upper Case-KBD Bezel	62P4147
5	Antenna Kit for D-1.5 (w/ puller TABs)	08K4072
	Antenna Kit 13"/14" LCD for D-1.5	08K4073
6	Cable Asm. kit , RJ11 and lid switch	27L0722
7	Planar D-2 for Pentium-4M w/o security card, w/ 1394	26P8451
	Planar D-2 for Pentium-4M w/o security card, w/o1394	26P8452
	Planar D-2 for Pentium-4M w/ security card, w/ 1394	26P8453
	Planar D-2 for Pentium-4M w/ security card, w/o 1394	26P8454
8	M/B Misc parts kit	62P4301
9	PC Card Slot	46L6530
10	HDD w/tray & screws module IBM Csacard./ 20 GB	08K9761* *
	HDD w/tray & screws module HITACHI Dogwood/ 20GB	08K9763**
	HDD w/tray & screws module IBM Csacard / 30 GB	08K9733**
	HDD w/tray & screws module HITACHI Dogwood/ 30GB	08K9746**

No.	Description	FRU No.
	HDD w/tray & screws module IBM Csacard / 40 GB	08K9742**
	HDD w/tray & screws module HITACHI Dogwood/ 40GB	08K9774**
11	HDD Cover	46L6523
12	Lower Case w/ label W/W for D-2	62P4148
	Lower Case w/ label EMEA for D-2	62P4149
	Lower Case w/ label IIPC for D-2	62P4150
	Lower Case w/ label Korea for D-2	62P4151
	Lower Case w/ label Taiwan for D-2	62P4152
	Lower Case w/ label W/W-wireless for D-2	62P4153
	Lower Case w/ label EMEA-wireless for D-2	62P4154
	Lower Case w/ label IIPC-wireless for D-2	62P4155
	Lower Case w/ label Korea-wireless for D-2	62P4156
	Lower Case w/ label Taiwan for D-2	62P4157
	Lower Case w/ label NA for D-2	62P4158
	Lower Case w/ label EU for D-2	62P4159
	Lower Case w/ label JP for D-2	62P4160
	Lower Case w/ label China for D-2	62P4161
13	CARD ASM DDR- 128M	10K0029**
	CARD ASM DDR- 256M	10K0031**
	CARD ASM DDR- 512M	10K0033**
14	CDC Modem Card	26P8256
	Cisco Aironet Wireless 802.11b Mini-PCI-for North America	26P8435
	Cisco Aironet Wireless 802.11b Mini-PCI for EMEA	26P8367
	Cisco Aironet Wireless 802.11b Mini-PCI for China	26P8371
	Cisco Aironet Wireless 802.11b Mini-PCI for Japan	26P8369
	IBM High Rate Wireless Mini-PCI Adapter	26P8472
15	Mini-PCI / DIMM door kit for D-2	62P4164
16	Main Battery Assy. (Li-Ion)	
	Sanyo-W/W	02K7054*
	Sanyo-Japan	02K7058*
	Panasonic-W/W	02K6928*
	Panasonic-Japan	02K7060*

<b>No.</b>	<b>Description</b>	<b>FRU No.</b>
17	Speaker Kit	08K4618
18	RTC Battery(P/N 02K7063)	02K7062
19	CD-ROM Module TEAC (CD-224E-B01) LG (CRN-8245B)	27L3436* 27L4301*
	DVD-ROM Module Hitachi (GDR-8081N) MKE (SR-8176-MBZ)	27L4355* 27L4351*
	CD—RW Module TEAC (CD-W28E-001)CD—RW / 12XDVD Module KME UJDA720 TEAC/ DW-28E-01 (2nd source)	27L4297* 27L4359* 08K9785*
	FDD External, Unit P/N 05K9282	05K9283*
	Rubber Kit	46L6527
	Mylar Kit for D-2	62P4163
	Screw Kit	46L6526
	Mylar-Antenna holder	46P3133
	Base cover Misc parts kit	46P2587
20	FAN asm	46L6507
21	Heat Sink/ FAN Asm. (w/ thermal pad) for D-2	62P4162
22	I/O Bracket	46P2590
23	CPU Intel Pentium-4M 1.7 GHz	26P8449
	CPU Intel Pentium-4M 1.8 GHz	26P8346
	CPU Intel Pentium-4M 2.0 GHz	26P8473
	CPU Celeron 1.5GHz	26P8469

# LCD FRU

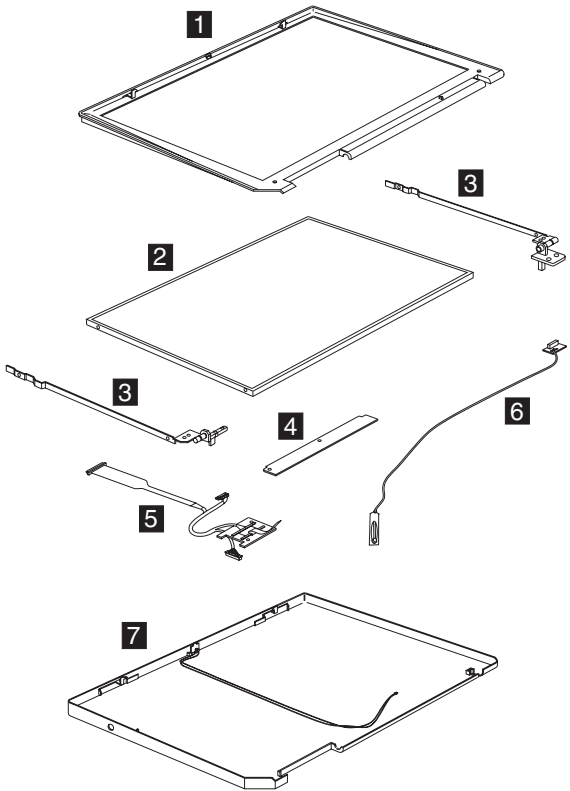
## 13.3-inch TFT:



No.	Description	FRU No.
4	LCD Invertor / LED card 14/13" TFT (P/N 26P8140)	26P8139
6	Antenna Kit for D-1.5 (w/ puller TABs)	08K4072
	Antenna Kit 13"/14" LCD for D-1.5	08K4073
7	LCD Rear Cover asm (13/14" TFT)-Wireless	26P9709
	LCD Rear Cover asm (13/14" TFT)	26P9707



**14.1-inch TFT:**



No.	Description	FRU No.
1	LCD Bezel asm "R32" (14" TFT)	46L6503
2	LCD Panel asm (14" TFT)	05K9888
	DBU	11P8283
	LG/LW	11P8280
	Samsung	
3	LCD Hinge/Bracket kit (14" TFT)	26P9719
4	LCD Invertor / LED card 14/13" TFT (P/N 26P8140)	26P8139
5	LCD cable asm (14" TFT)	27L0720
6	Antenna Kit for D-1.5 (w/ puller TABs)	08K4072
	Antenna Kit 13"/14" LCD for D-1.5	08K4073
7	LCD Rear Cover asm (13/14" TFT)-Wireless	26P9709
	LCD Rear Cover asm (13/14" TFT)	26P9707

## Keyboard

Description	Vendor	FRU No.
KBD ASM US English	NMB	08K4506**
KBD ASM Canadian French	NMB	08K4508**
KBD ASM German	NMB	08K4510**
KBD ASM UK English	NMB	08K4512**
KBD ASM French	NMB	08K4514**
KBD ASM Dutch	NMB	08K4516**
KBD ASM Swedish/Finnish	NMB	08K4518**
KBD ASM Norwegian	NMB	08K4520**
KBD ASM Danish	NMB	08K4522**
KBD ASM Italian	NMB	08K4524**
KBD ASM European Spanish	NMB	08K4526**
KBD ASM Belgian	NMB	08K4528**
KBD ASM Switzerland	NMB	08K4530**
KBD ASM Portuguese	NMB	08K4532**
KBD ASM Arabic	NMB	08K4534**
KBD ASM Russian	NMB	08K4536**
KBD ASM Hebrew	NMB	08K4538**
KBD ASM Polish	NMB	08K4540**
KBD ASM Turkish	NMB	08K4542**
KBD ASM Czech	NMB	08K4544**
KBD ASM Hungarian	NMB	08K4546**
KBD ASM Greek	NMB	08K4548**
KBD ASM Slovenian	NMB	08K4550**
KBD ASM Slovakian	NMB	08K4552**
KBD ASM Japanese	NMB	08K4554**
KBD ASM Traditional Chinese	NMB	08K4556**
KBD ASM Korean	NMB	08K4558**
KBD ASM La Spanish	NMB	08K4560**
KBD ASM US English	Chicony	08K4562**
KBD ASM Canadian French	Chicony	08K4564**
KBD ASM German	Chicony	08K4566**
KBD ASM UK English	Chicony	08K4568**
KBD ASM French	Chicony	08K4570**
KBD ASM Dutch	Chicony	08K4572**
KBD ASM Swedish/Finnish	Chicony	08K4574**
KBD ASM Norwegian	Chicony	08K4576**
KBD ASM Danish	Chicony	08K4578**
KBD ASM Italian	Chicony	08K4580**
KBD ASM European Spanish	Chicony	08K4582**

Description	Vendor	FRU No.
KBD ASM Belgian	Chicony	08K4584**
KBD ASM Switzerland	Chicony	08K4586**
KBD ASM Portuguese	Chicony	08K4588**
KBD ASM Arabic	Chicony	08K4590**
KBD ASM Russian	Chicony	08K4592**
KBD ASM Hebrew	Chicony	08K4594**
KBD ASM Polish	Chicony	08K4596**
KBD ASM Turkish	Chicony	08K4598**
KBD ASM Czech	Chicony	08K4600**
KBD ASM Hungarian	Chicony	08K4602**
KBD ASM Greek	Chicony	08K4604**
KBD ASM Slovenian	Chicony	08K4606**
KBD ASM Slovakian	Chicony	08K4608**
KBD ASM Japanese	Chicony	08K4610**
KBD ASM Traditional Chinese	Chicony	08K4612**
KBD ASM Korean	Chicony	08K4614**
KBD ASM La Spanish	Chicony	08K4616**

## Common parts list

### Tools:

Description	FRU No.
Tri-Connector Wrap Plug	72X8546
PC Test Card	35G4703
Audio Wrap Cable	66G5180
USB Parallel Test Cable	05K2580
Screwdriver Kit	95F3598
5mm Socket Wrench	05K4694
Screwdriver	27L8126
Wireless Antenna Connector Tool	08K7159
ThinkPad hardware maintenance diskette version 1.07	

**Note:** The data may look the same with the sample hmm but the diskette version is different. There is no FRU number for ThinkPad hardware maintenance diskette.

## Telephone cable:

Description	FRU No.
Telephone Cable (US/ CAN/ TWN/ APS/ LA/ BRZL)	27L0465*
Telephone Cable (UK/ IR/ NZ)	27L0442*
Telephone Cable (GERMANY)	27L0441*
Telephone Cable (ITALY)	27L0448*
Telephone Cable (FRANCE)	27L0443*
Telephone Cable (DK/ DE/ PO)	27L0447*
Telephone Ccable (SW/ SU)	27L0445*
Telephone Cable (FI/ NO/ NS)	27L0446*
Telephone Cable (AUSTRALIA)	27L0467*
Telephone Cable (ND/ NU)	27L0444*
Telephone Cable (SF/ SI/ SG/ SE)	27L0462*
Telephone Cable (BE/ BK/ BS/ BD/ BF)	27L0451*
Telephone Cable (AUSTRIA)	27L0449*
Telephone Cable (SPAIN)	27L0450*

## AC adapter:

Description	FRU No.
AC ADAPTER, 72W 3-pins (ASTEC)	02K6751*
AC ADAPTER, 72W 3-pins (Delta)	02K6754*
AC ADAPTER, 72W 2-pins (Delta)	02K6756*
AC ADAPTER, 72W 2-pinS (ASTEC)	02K6753*

**Power cords:** IBM power cords for a specific country are usually available only in that country.

### *For 2-pin power cords:*

IBM power cord part number	Used in these countries or regions
13H5264*	Canada, U.S.A.
13H5273*	Japan
36L8870*	Argentina
46P2095*	Brazil

For 3-pin power cords:

**Note:** The grounded adapter is required for full MPRII compliance. If a 3-pin power cord came with your computer, see "Safety Information" on page 11.

<b>IBM power cord part number</b>	<b>Used in these countries or regions</b>
76H3514*	Australia, New Zealand
76H3516*	Taiwan, Thailand
76H3530*	Italy
76H3520*	Denmark
76H3524*	UK, Hong Kong
76H3518*	European Countries
76H3522*	South Africa, India
76H3532*	Israel
76H3535*	Korea
02K0539*	China (P.R.C.)
76H3528*	Switzerland

### Recovery CD List:

Description	FRU No.	MODELS
Recovery CD English-WinXP PRO (UD)	01R6094	2677– L2G, L3G, L4G, L5G, N2G, N3G, N4G, N5G
Recovery CD English-WinXP PRO (UD)	01R6094	2659 L2G, L3G, L4G, L5G, N2G, N3G, N4G, N5G, H2G
Recovery CD English-WinXP PRO (UD)	01R6094	2658– L2G, L3G, L4G, L5G, N2G, N3G, N4G, N5G, H3G, H2G, LHGLJG, LKG, LYG, LZG, M6G, M7G
Recovery CD English-WinXP PRO (US)	01R6093	2677– L2U, L3U, L4U, L5U, N2U, N3U, N4U, N5U: 2659– L2U, L3U, L4U, L5U, N2U, N3U, N4U, N5U, H2U
Recovery CD English-WinXP PRO (US)	01R6093	2658–L2U, L3U, L4U, L5U, N2U, N3U, N4U, N5U, H3U, H2U, K7U, K8U, KAU, KCU, KGU, KHU, KJU
Recovery CD English-WinXP PRO (US)	01R6093	2658–MGU, NWU, NYU, NZU, NTU, NUU, NVU, NXU, K9U, LTU, LUU, LWU, LXU, LHU, LSU, MFU

Revoery CD English-WinXP PRO (US)	01R6093	2677–L2H, L3H, L4H, L5H, N2H, N3H, N4H, N5H: 2659–L2H, L3H, L4H, L5H, N2H, N3H, N4H, N5H, H2H
Revoery CD English-WinXP PRO (US)	01R6093	2658–L2H, L3H, L4H, L5H, N2H, N3H, N4H, N5H, H3H, H2H, LHH, LNH, LRH, LTS, NKH
Revoery CD English-WinXP PRO (US)	01R6093	2677–L2M, L3M, L4M, L5M, N2M, N3M,N4M, N5M: 2659–L2M, L3M, L4M, L5M, N2M, N3M, N4M, N5M, H2M
Revoery CD English-WinXP PRO (US)	01R6093	2658–L2M, L3M, L4M, L5M, N2M, N3M,N4M, N5M, H3M, H2M, KAM, KBM, KCM, LMM, LPM, LQM, LTM, LUM, M6M, NQM, NXM
Revoery CD English-WinXP PRO (US)	01R6093	2677–L2A, L3A, L4A, N2A, N3A, N4A: 2659–L2A, L3A, L4A, N2A, N3A, N4A, H3A
Revoery CD English-WinXP PRO (US)	01R6093	2658–L2A, L3A, L4A, N2A, N3A, N4A, H3A, H2A, KAA,LHA, M8A
Recovery CD Norway-WinXP PRO	01R6104	2677– L2G, L3G, L4G, L5G, N2G, N3G, N4G, N5G
Recovery CD Norway-WinXP PRO	01R6104	2659– L2G, L3G, L4G, L5G, N2G, N3G, N4G, N5G, H2G
Recovery CD Norway-WinXP PRO	01R6104	2658– L2G, L3G, L4G, L5G, N2G, N3G, N4G, N5G, H3G, H2G, LHG, LJG, LKG, LYG, LZG, M6G, M7G
Recovery CD Netherland-WinXP PRO	01R6103	2677– L2G, L3G, L4G, L5G, N2G, N3G, N4G, N5G
Recovery CD Netherland-WinXP PRO	01R6103	2659– L2G, L3G, L4G, L5G, N2G, N3G, N4G, N5G, H2G

Recovery CD Netherland-WinXP PRO	01R6103	2658– L2G, L3G, L4G, L5G, N2G, N3G, N4G, N5G, H3G, H2G, LHG, LJG, LKG, LYG, LZG, M6G, M7G
Recovery CD Finland-WinXP PRO	01R6102	2677– L2G, L3G, L4G, L5G, N2G, N3G, N4G, N5G
Recovery CD Finland-WinXP PRO	01R6102	2659– L2G, L3G, L4G, L5G, N2G, N3G, N4G, N5G, H2G
Recovery CD Finland-WinXP PRO	01R6102	2658– L2G, L3G, L4G, L5G, N2G, N3G, N4G, N5G, H3G, H2G, LHG, LJG, LKG, LYG, LZG, M6G, M7G
Recovery CD Italy-WinXP PRO	01R6101	2677– L2G, L3G, L4G, L5G, N2G, N3G, N4G, N5G
Recovery CD Italy-WinXP PRO	01R6101	2659– L2G, L3G, L4G, L5G, N2G, N3G, N4G, N5G, H2G
Recovery CD Italy-WinXP PRO	01R6101	2658– L2G, L3G, L4G, L5G, N2G, N3G, N4G, N5G, H3G, H2G, LHG, LJG, LKG, LYG, LZG, M6G, M7G
Recovery CD Spanish-WinXP PRO	01R6099	2677– L2S, L3S, L4S, N2S, N3S, N4S: 2659– L2S, L3S, L4S, N2S, N3S, N4S, H3S
Recovery CD Spanish-WinXP PRO	01R6099	2658–L2S, L3S, L4S, N2S, N3S, N4S, H3S, H2S, KAS, LWS, LXS, NTS, NUS, NVS, NXS
Recovery CD Spanish-WinXP PRO	01R6099	2677– L2X, L3X, L4X, N2X, N3X, N4X: 2659– L2X, L3X, L4X, N2X, N3X, N4X, H3X
Recovery CD Spanish-WinXP PRO	01R6099	2658–L2X, L3X, L4X, N2X, N3X, N4X, H3X, H2X, KAX, LWX, LXX, NTX, NUX, NVX, NXX

Recovery CD Spanish-WinXP PRO	01R6099	2677– L2G, L3G, L4G, L5G, N2G, N3G, N4G, N5G: 2659– L2G, L3G, L4G, L5G, N2G, N3G, N4G, N5G, H2G
Recovery CD Spanish-WinXP PRO	01R6099	2658–L2G, L3G, L4G, L5G, N2G, N3G, N4G, N5G, H3G, H2G, LHG, LJG, LKG, LYG, LZG, M6G, M7G
Recovery CD Denmark-WinXP PRO	01R6096	2677–L2G, L3G, L4G, L5G, N2G, N3G, N4G, N5G
Recovery CD Denmark-WinXP PRO	01R6096	2659–L2G, L3G, L4G, L5G, N2G, N3G, N4G, N5G, H2G
Recovery CD Denmark-WinXP PRO	01R6096	2658–L2G, L3G, L4G, L5G, N2G, N3G, N4G, N5G, H3G, H2G, LHG, LJG, LKG, LYG, LZG, M6G, M7G
Recovery CD Sweden-WinXP PRO	01R6100	2677–L2G, L3G, L4G, L5G, N2G, N3G, N4G, N5G
Recovery CD Sweden-WinXP PRO	01R6100	2659–L2G, L3G, L4G, L5G, N2G, N3G, N4G, N5G, H2G
Recovery CD Sweden-WinXP PRO	01R6100	2658–L2G, L3G, L4G, L5G, N2G, N3G, N4G, N5G, H3G, H2G, LHG, LJG, LKG, LYG, LZG, M6G, M7G
Recovery CD French-WinXP PRO	01R6097	2677–L2G, L3G, L4G, L5G, N2G, N3G, N4G, N5G
Recovery CD French-WinXP PRO	01R6097	2659–L2G, L3G, L4G, L5G, N2G, N3G, N4G, N5G, H2G
Recovery CD French-WinXP PRO	01R6097	2658–L2G, L3G, L4G, L5G, N2G, N3G, N4G, N5G, H3G, H2G, LHG, LJG, LKG, LYG, LZG, M6G, M7G
Recovery CD French-WinXP PRO	01R6097	2677– L2F, L3F, L4F, L5F, N2F, N3F, N4F, N5F
Recovery CD French-WinXP PRO	01R6097	2659– L2F, L3F, L4F, L5F, N2F, N3F, N4F, N5F, H2F



Recovery CD French-WinXP PRO	01R6097	2658– L2F, L3F, L4F, L5F, N2F, N3F, N4F, N5F, H3F, H2F, K9F, LTF, NXF
Recovery CD German-WinXP PRO	01R6098	2677–L2G, L3G, L4G, L5G, N2G, N3G, N4G, N5G
Recovery CD German-WinXP PRO	01R6098	2659–L2G, L3G, L4G, L5G, N2G, N3G, N4G, N5G, H2G
Recovery CD German-WinXP PRO	01R6098	2658–L2G, L3G, L4G, L5G, N2G, N3G, N4G, N5G, H3G, H2G, LHG, LJG, LKG, LYG, LZG, M6G, M7G
Recovery Portuguese-WinXP PRO	01R6095	2677– L2P, L3P, L4P, N2P, N3P, N4P: 2659–L2P, L3P, L4P, N2P, N3P, N4P, H3P
Recovery Portuguese-WinXP PRO	01R6095	2658– L2P, L3P, L4P, N2P, N3P, N4P, H3P, H2P, KAP, LWP, LXP, NTP, NUP, NVP, NXP
Recovery CD Japan-WinXP PRO	62P4777	2677– L2J, L3J, L4J, L5J, N2J, N3J, N4J, N5J: 2659–L2J, L3J, L4J, L5J, N2J, N3J, N4J, N5J, H2J
Recovery CD Japan-WinXP PRO	62P4777	2658– L2J, L3J, L4J, L5J, N2J, N3J, N4J, N5J, H3J, H2J, M9J, MAJ, MBJ, MHJ, MCJ, MDJ, MEJ
Recovery CD Hong Kong-TC-WinXP PRO	67P4980	2677– L2B, L3B, L4B, L5B, N2B, N3B, N4B, N5B: 2659–L2B, L3B, L4B, L5B, N2B, N3B, N4B, N5B, H2B
Recovery CD Hong Kong-TC-WinXP PRO	67P4980	2658– L2B, L3B, L4B, L5B, N2B, N3B, N4B, N5B, H3B, H2B, LRB
Recovery CD Traditional Chinese-WinXP PRO	67P4974	2677– L2T, L3T, L4T, N2T, N3T, N4T: 2659–L2T, L3T, L4T, N2T, N3T, N4T, H3T

Recovery CD Traditional Chinese-WinXP PRO	67P4974	2658– L2T, L3T, L4T, N2T, N3T, N4T, H3T, H2T, KDT, KET, KFT, LVT, NLT, NMT, NPT, NRT
Recovery CD Simplified Chinese-WinXP PRO	67P4977	2677– L2C, L3C, L4C, L5C, N2C, N3C, N4C, N5C: 2659–L2C, L3C, L4C, L5C, N2C, N3C, N4C, H3C
Recovery CD Simplified Chinese-WinXP PRO	67P4977	2658– L2T, L3T, L4T, N2T, N3T, N4T, H3T, H2T, KDT, KET, KFT, LVT, NLT, NMT, NPT, NRT
Recovery CD Turkey-WinXP PRO	01R6109	2677– L2G, L3G, L4G, L5G, N2G, N3G, N4G, N5G
Recovery CD Turkey-WinXP PRO	01R6109	2659– L2G, L3G, L4G, L5G, N2G, N3G, N4G, N5G, H2G
Recovery CD Turkey-WinXP PRO	01R6109	2658– L2G, L3G, L4G, L5G, N2G, N3G, N4G, N5G, H3G, H2G, LHG, LJG, LKG, LYG, LZG, M6G, M7G
Recovery CD Greek-WXP PRO	01R6110	2677– L2G, L3G, L4G, L5G, N2G, N3G, N4G, N5G
Recovery CD Greek-WXP PRO	01R6110	2659– L2G, L3G, L4G, L5G, N2G, N3G, N4G, N5G, H2G
Recovery CD Greek-WXP PRO	01R6110	2658– L2G, L3G, L4G, L5G, N2G, N3G, N4G, N5G, H3G, H2G, LHG, LJG, LKG, LYG, LZG, M6G, M7G
Recovery CD Hungary-WinXP PRO	01R6111	2677– L2G, L3G, L4G, L5G, N2G, N3G, N4G, N5G
Recovery CD Hungary-WinXP PRO	01R6111	2659– L2G, L3G, L4G, L5G, N2G, N3G, N4G, N5G, H2G
Recovery CD Hungary-WinXP PRO	01R6111	2658– L2G, L3G, L4G, L5G, N2G, N3G, N4G, N5G, H3G, H2G, LHG, LJG, LKG, LYG, LZG, M6G, M7G
Recovery CD Russian-WinXP PRO	01R6112	2677– L2G, L3G, L4G, L5G, N2G, N3G, N4G, N5G

Recovery CD Russian-WinXP PRO	01R6112	2659– L2G, L3G, L4G, L5G, N2G, N3G, N4G, N5G, H2G
Recovery CD Russian-WinXP PRO	01R6112	2658– L2G, L3G, L4G, L5G, N2G, N3G, N4G, N5G, H3G, H2G, LHG, LJG, LKG, LYG, LZG, M6G, M7G
Recovery CD Polish-WinXP PRO	01R6108	2677– L2G, L3G, L4G, L5G, N2G, N3G, N4G, N5G
Recovery CD Polish-WinXP PRO	01R6108	2659– L2G, L3G, L4G, L5G, N2G, N3G, N4G, N5G, H2G
Recovery CD Polish-WinXP PRO	01R6108	2658– L2G, L3G, L4G, L5G, N2G, N3G, N4G, N5G, H3G, H2G, LHG, LJG, LKG, LYG, LZG, M6G, M7G
Recovery CD Hebrew-WinXP PRO	01R6107	2677– L2G, L3G, L4G, L5G, N2G, N3G, N4G, N5G
Recovery CD Hebrew-WinXP PRO	01R6107	2659– L2G, L3G, L4G, L5G, N2G, N3G, N4G, N5G, H2G
Recovery CD Hebrew-WinXP PRO	01R6107	2658– L2G, L3G, L4G, L5G, N2G, N3G, N4G, N5G, H3G, H2G, LHG, LJG, LKG, LYG, LZG, M6G, M7G
Recovery CD CZ-WinXP PRO	01R6106	2677– L2G, L3G, L4G, L5G, N2G, N3G, N4G, N5G
Recovery CD CZ-WinXP PRO	01R6106	2659– L2G, L3G, L4G, L5G, N2G, N3G, N4G, N5G, H2G
Recovery CD CZ-WinXP PRO	01R6106	2658– L2G, L3G, L4G, L5G, N2G, N3G, N4G, N5G, H3G, H2G, LHG, LJG, LKG, LYG, LZG, M6G, M7G
Recovery CD English-Win2000 (US)	01R5670	2658–L6U, L7U, N7U, N8U
Recovery CD English-Win2000 (US)	01R5670	2658–N6A

Recovery CD Spanish-Win2000	01R5676	2658-L6X, L7X, N7X, N8X
Recovery CD Spanish-Win2000	01R5676	2658-L6S, L7S, N7S, N8S
Recovery CD Portuguese- Win2000	01R5672	2658-L6P, L7P, N7P, N8P
Recovery CD Japan-Win2000	62P4774	2658-MJJ
Recovery CD English-WinXP HOME (UD)	01R5731	2658-L8G, L9G
Recovery CD English-WinXP HOME (US)	01R5730	2658-K3U, K4U, LCU, N9U, NGU, NHU
Recovery CD English-WinXP HOME (US)	01R5730	2658-K4A, K5A: 2658-N9M: 2658-LAH, NEH, NFH
Recovery CD Norway-WinXP HOME	01R5741	2658-L8G, L9G
Recovery CD Netherland-WinXP HOME	01R5740	2658-L8G, L9G
Recovery CD Finland-WinXP HOME	01R5739	2658-L8G, L9G
Recovery CD Italy-WinXP HOME	01R5738	2658-L8G, L9G
Recovery CD Spanish-WinXP HOME	01R5736	2658-L8G, L9G
Recovery CD Spanish-WinXP HOME	01R5736	2658-K4S, N9S, NGS, NHS
Recovery CD Spanish-WinXP HOME	01R5736	2658-K4X, N9X, NGX, NHX
Recovery CD Denmark-WinXP HOME	01R5733	2658-L8G, L9G
Recovery CD Sweden-WinXP HOME	01R5737	2658-L8G, L9G
Recovery CD French-WXP HOME	01R5734	2658-L8G, L9G
Recovery CD French-WXP HOME	01R5734	2658-K3F, LCF
Recovery CD German-WinXP HOME	01R5735	2658-L8G, L9G

Recovery CD Portuguese-WinXP HOME	01R5732	2658-K4P, N9P, NGP, NHP
Recovery CD Turkey-WinXP HOME	01R5746	2658-L8G, L9G
Recovery CD Greek-WinXP HOME	01R5747	2658-L8G, L9G
Recovery CD Hungary-WinXP HOME	01R5748	2658-L8G, L9G
Recovery CD Russian-WinXP HOME	01R5749	2658-L8G, L9G
Recovery CD Polish-WinXP HOME	01R5745	2658-L8G, L9G
Recovery CD Hebrew-WinXP HOME	01R5744	2658-L8G, L9G
Recovery CD CZ-WinXP HOME	01R5743	2658-L8G, L9G
Recovery CD Hong Kong-TC-WinXP HOME	67P4979	2658-LAB
Recovery CD Traditional Chinese-WinXP HOME	67P4973	2658-K6T, NAT, NBT, NCT, NET, LAT, LBT, LDT, LFT
Recovery CD Simplified Chinese-WinXP HOME	67P4976	2658-LAC

## Option Parts List

### Battery charges:

Description	FRU No.
Main Battery Li-Ion Option—W/W	02K7052*
Main Battery Li-Ion Sanyo—W/W	02K7055*
Main Battery Li-Ion Panasonic—W/W	02K7057*
Main Battery Li-Ion Option—Japan	02K7053*
Main Battery Li-Ion Sanyo—Japan	02K7059*
Main Battery Li-Ion Panasonic—Japan	02K7061*

### Ultrabay devices:

Description	FRU No.
CD-RW/ DVD Combo II (KME)	27L4359*

<b>Description</b>	<b>FRU No.</b>
CD-RW/ DVD Combo II (TEAC)	08K9785*
CD-RW/ DVD Combo-III (KME)	08K9818*
CD-RW/ DVD Combo-III (HLDS)	08K9820*
8X/ 4X/ 24X Max CD-RW (TEAC)	08K9644*
Ultralight 8X DVD-ROM (MKE)	27L4351*
Ultralight 8X DVD-ROM (HLDS)	27L4355*
24X-10X CD-ROM (HLDS)	27L4301*
24X-10X CD-ROM (TEAC)	27L3436*
Diskette drive (TEAC)	08K9606*
Diskette drive (SONY)	08K9607*
SuperDisk drive (LS240)	08K9615*
ZIP—250 drive	00N8254*
2nd HDD adapter	08K6067*
Ultrabay Plus device carrier	26P9388*
Ultrabay Plus numeric keypad	19K2056*
Ultrabay Plus cradle for WorkPad c500 series	26P9389*

---

## Notices

References in this publication to IBM products, programs, or services do not imply that IBM intends to make these available in all countries in which IBM operates. Any reference to an IBM product, program, or service is not intended to state or imply that only IBM product, program, or service may be used. Subject to IBM's valid intellectual property or other legally protectable rights, any functionally equivalent product program, or service may be used instead of the IBM product, program, or service. The evaluation and verification of operation in conjunction with other products, except those expressly designated by IBM, are the responsibility of the user.

IBM may have patents or pending patent applications covering subject matter in this document. The furnishing of this document does not give you any license to these patents. You can send license inquiries, in writing, to:

IBM Director of Licensing  
IBM Corporation  
500 Columbus Avenue  
Thornwood, NY 10594  
U.S.A.

---

## Trademarks

The following terms are trademarks or service marks of IBM Corporation in the United States and other countries:

IBM  
USB  
ThinkPad  
TrackPoint  
TrackPoint IV

The following terms are trademarks or service marks of other companies as follows:

AMD-K6-2	Advanced Micro Devices, Inc.
AMD	Advanced Micro Devices, Inc.
Intel	Intel Corporation
Celeron	Intel Corporation
Mylar	E.I. Du Pont de Nemours and Company
PC-Doctor	Watergate Software, Inc.
PCMCIA	Personal Computer Memory Card Interface Association
Pentium	Intel Corporation