

Lenovo 3000 V100 Setup Poster

P/N 41W3465

3/31/2006

Size : 11x14 inches

Color : 2 color job = ■ Process Black (This plate must be printed in PMS Process Black C)
■ Process Magenta (Thin plate must be printed in PMS 1375C)

Font : IBM Fonts and Helvetica Neue Family

Material : 100 gsm gloss art paper (Use 100% recycled paper in only Japan.)

Blue line shows die-cut. DO NOT PRINT.

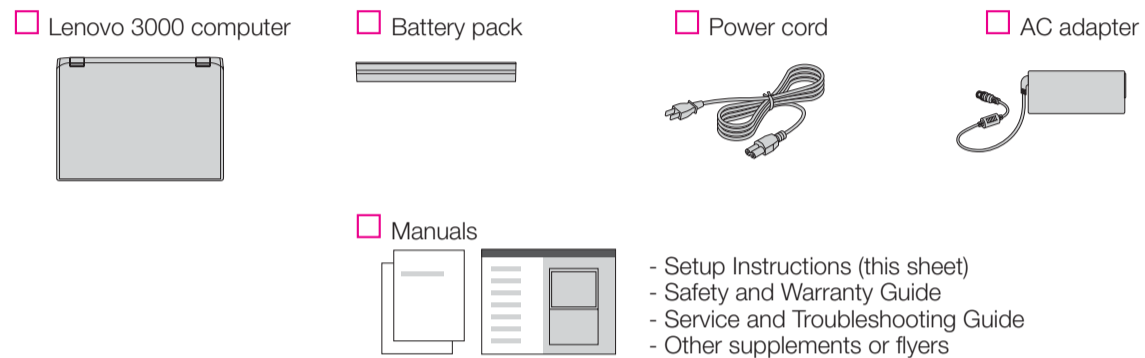
Please change the barcode No.

Please change the country name if the poster is printed in other than China.

Lenovo 3000

lenovo

Unpack



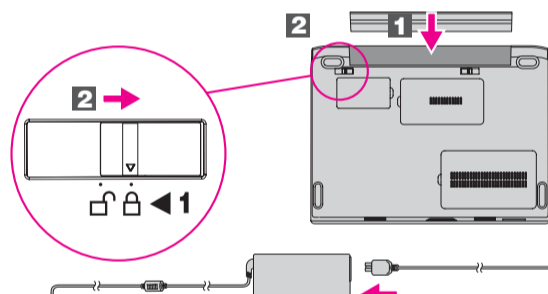
See reverse for notes about unlisted, missing, or damaged items and recovery CD.

Initial Setup Instructions

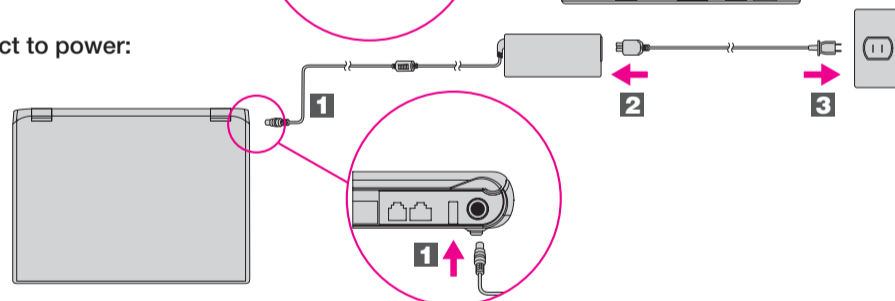


Read the safety notices and important tips in the included manuals before using your computer.

- 1** Install battery pack:
Your battery is ready to use.



- 2** Connect to power:



- 3** Turn on the power:



- 4** Point and click with touch pad:
Move across the touch pad in the direction you want to move the pointer. The left and right buttons below the space bar and touch pad function like mouse buttons.

- 5** Configure the Operating System following on-screen instructions:
This process takes several minutes, and your computer may restart multiple times.

- 6** For more detailed information, press the Lenovo Care(TM) button:



- 1** Wireless LAN antennas

- 2** Integrated camera*
*Specific models only.

- 3** Power button



- 4** Lenovo Care button



- 5** InstantON button

Launch media applications when your computer is powered on or off.



- 6** Volume and mute buttons



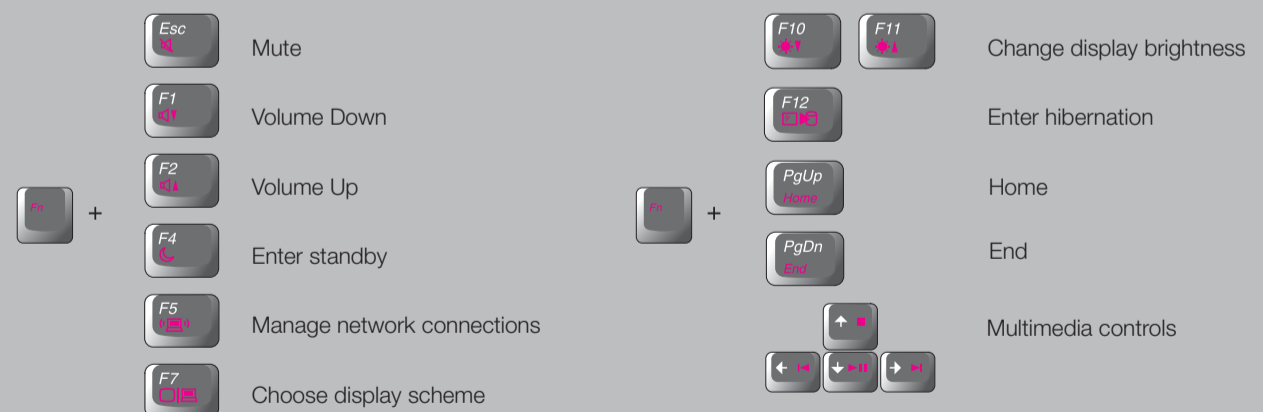
- 7** Wireless radio switch



- 8** Fingerprint reader*
*Specific models only.

- 9** Fn key

Use in combination with other keys to access special features



Lenovo 3000 V100 Setup Poster

P/N 41W3465

3/31/2006

Size : 11x14 inches

Color : 2 color job = ■ Process Black (This plate must be printed in PMS Process Black C)

■ Process Magenta (Thin plate must be printed in PMS 1375C)

Font : IBM Fonts and Helvetica Neue Family

Material : 100 gsm gloss art paper (Use 100% recycled paper in only Japan.)

Blue line shows die-cut. DO NOT PRINT.

Please change the barcode No.

Please change the country name if the poster is printed in other than China.

Lenovo 3000

Pressing the Lenovo Care button on your keyboard opens the Lenovo Care. To learn more about technologies and other items, select a topic in "Help and support" from the Lenovo Care, and type a word in the keyword search field.



Lenovo Care

Lenovo Care guides you to a host of information and tools to help you set up, understand, maintain, and enhance your computer.



Access Connections

Access Connections allows you to seamlessly switch between wired and wireless environments while automatically managing security settings, printers, home page and other location-specific settings.



Presentation Director

Presentation Director helps you plan and give presentations with confidence, even when you are away from your office.



Rescue and Recovery

Rescue and Recovery includes a set of recovery tools to help you diagnose, get help and recover from system crashes quickly, even if the primary operating system will not boot and you are unable to contact your support team.



Message Center

Message Center displays messages to inform you about helpful software that has been pre-installed on your computer. Message Center can also provide messages about new updates available to keep you computer current.



Access Help

Access Help is a comprehensive online manual that provides answers to most of your questions about your computer, helps you to configure preloaded features and tools, or solve problems.



Help Center

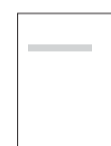
Help Center is an online manual that provides information about your computer. Help Center also provides help and support information, and other offerings.

To learn more, press the Lenovo Care button:



Using the included manuals and Help Center

To find detailed information about your computer, see the Safety and Warranty Guide, the Service and Troubleshooting Guide or open the Help Center.



Safety and Warranty Guide

- Important safety information
- Warranty information



Service and Troubleshooting Guide

- Introduction to other sources of information
- Important tips for taking care of your computer
- Diagnostics and troubleshooting
- Recovery options
- Help and Service
- Warranty information for your computer



To open the Help Center, press the Lenovo Care button and select a topic in "Help and support" from the Lenovo Care.



Learn about your computer

- Use system features
- Configure
- Protect & recover
- Download & upgrade
- Stay current



Get help & support

- View references
- Find support information
- Diagnose a problem
- Download & update
- Ask an expert



Browse other offerings

- Learn how to achieve all day computing
- Options for your computer
- New looks for your desktop
- Services for your computer

* Additional unpacking notes:

- 1) Some models may contain items that are not listed.
 - 2) If any item is missing or damaged, please contact your place of purchase.
 - 3) Everything for recovering factory-installed files and applications is on your hard disk eliminating the need for a recovery CD.
- For more information, see "Recovery options" in the Service and Troubleshooting Guide.

© Copyright Lenovo 2006.
All rights reserved.

Printed in China

For Barcode Position Only