

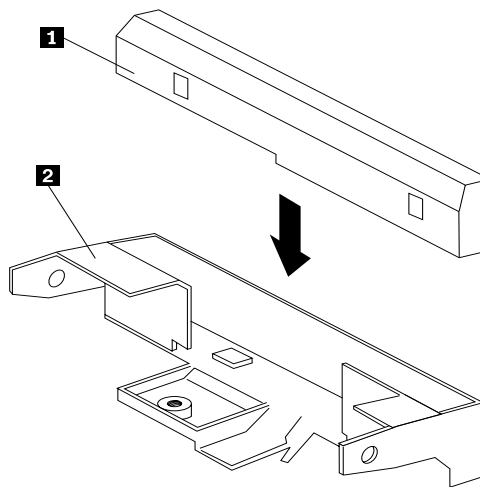
Read first: Installing the ThinkPad Asset ID RF Adapter in a ThinkPad A Series or T Series computer

This flyer provides information on how to install the ThinkPad® Asset ID™ RF Adapter option in your IBM® ThinkPad A Series or T Series computer. This information supplements the instructions in the *User's Guide* that comes with your option and the information provided in the online *User's Guide* for your ThinkPad computer. Follow the instructions below to install the adapter.

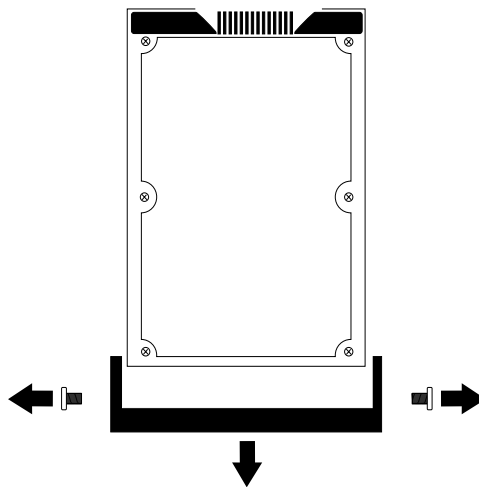
Installing the ThinkPad Asset ID RF adapter in ThinkPad A Series computers

To install the ThinkPad Asset ID RF adapter in your ThinkPad A Series computer, do the following:

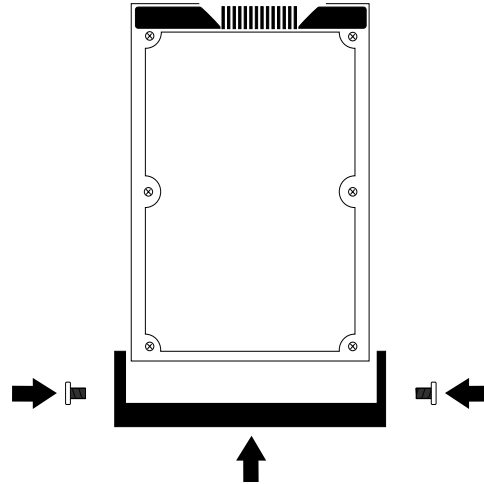
1. Turn off your ThinkPad computer and disconnect the power cord from the electrical outlet.
2. Install the Asset ID antenna **1** in the hard disk drive cover **2** that comes with this option.



3. Remove the hard disk drive from your computer, using the instructions in the online *User's Guide*.
4. Remove the hard disk drive cover by removing the two screws on the cover.



5. Attach the Asset ID RF adapter assembly to the hard disk drive.

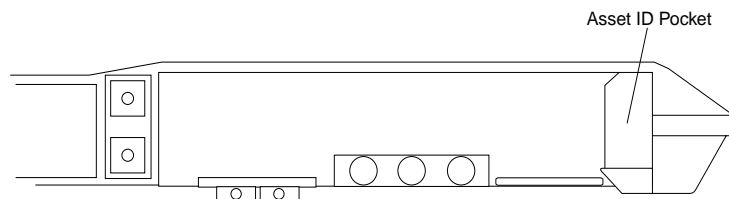


6. Reinsert the hard disk drive in your ThinkPad computer, using the instructions in the online *User's Guide*.
7. Plug in your computer; then see the online *User's Guide* for instructions on enabling and using the adapter.

Installing the ThinkPad Asset ID RF adapter in ThinkPad T Series computers

To install the ThinkPad Asset ID RF adapter in your ThinkPad T Series computer, do the following:

1. Turn off your ThinkPad computer and disconnect the power cord from the electrical outlet.
2. Remove the hard disk drive from your computer, using the instructions in the online *User's Guide*.
3. Locate the Asset ID pocket in the hard disk drive bay.



4. Insert the Asset ID antenna **1** into the pocket completely.
Note: When you install the Asset ID antenna in a ThinkPad T Series computer, you do not need the hard disk drive cover **2** that comes with this option.
5. Reinsert the hard disk drive in your ThinkPad computer, using the instructions in the online *User's Guide*.
6. Plug in your computer; then see the online *User's Guide* for instructions on enabling and using the adapter.
Note: If your ThinkPad T Series Asset ID RF Adapter needs service, call the IBM HelpCenter®, or return your ThinkPad computer to your dealer for service.

19K4592

Printed in the U.S.A.

© Copyright International Business Machines Corporation 2000. All rights reserved

Note to U.S. Government Users – Documentation related to restricted rights – Use, duplication or disclosure is subject to restrictions set forth in GSA ADP Schedule Contract with IBM Corp.

Asset ID, IBM, HelpCenter, and ThinkPad are trademarks of the IBM Corporation in the United States, other countries, or both.



P19K4592