



IBM Internal Zip Drive

User's Guide

OPTIONS
by IBM

Note: Before using this information and the product it supports, be sure to read the information under "Appendix B. Product warranty and notices" on page B-1.

Second Edition (May 2001)

© Copyright International Business Machines Corporation 2001. All rights reserved.
US Government Users Restricted Rights – Use, duplication or disclosure restricted by
GSA ADP Schedule Contract with IBM Corp.

Contents

Safety: Read first	v
About this book	vii
Installation and user's guide.	1-1
Appendix A. Help and service information.	A-1
Appendix B. Product warranty and notices	B-1

Safety: Read first

Before installing this product, read the Safety Information.

مج، يجب قراءة دات السلامة

Antes de instalar este produto, leia as Informações de Segurança.

在安装本产品之前，请仔细阅读 **Safety Information** (安全信息)。

Prije instalacije ovog produkta obavezno pročitajte Sigurnosne Upute.

Před instalací tohoto produktu si přečtěte příručku bezpečnostních instrukcí.

Læs sikkerhedsforskrifterne, før du installerer dette produkt.

Ennen kuin asennat tämän tuotteen, lue turvaohjeet kohdasta Safety Information.

Avant d'installer ce produit, lisez les consignes de sécurité.

Vor der Installation dieses Produkts die Sicherheitshinweise lesen.

Πριν εγκαταστήσετε το προϊόν αυτό, διαβάστε τις πληροφορίες ασφάλειας (safety information).

לפני שתתקינו מוצר זה, קראו את הוראות הבטיחות.

A termék telepítése előtt olvassa el a Biztonsági előírásokat!

Prima di installare questo prodotto, leggere le Informazioni sulla Sicurezza.

製品の設置の前に、安全情報をお読みください。

본 제품을 설치하기 전에 안전 정보를 읽으십시오.

Пред да се инсталира овој продукт, прочитајте информацијата за безбедност.

Lees voordat u dit product installeert eerst de veiligheidsvoorschriften.

Les sikkerhetsinformasjonen (Safety Information) før du installerer dette produktet.

Przed zainstalowaniem tego produktu, należy zapoznać się z książką "Informacje dotyczące bezpieczeństwa" (Safety Information).

Antes de instalar este produto, leia as Informações sobre Segurança.

Перед установкой продукта прочтите инструкции по технике безопасности.

Pred inštaláciou tohto zariadenia si pečítajte Bezpečnostné predpisy.

Pred namestitvijo tega proizvoda preberite Varnostne informacije.

Antes de instalar este producto lea la información de seguridad.

Läs säkerhetsinformationen innan du installerar den här produkten.

安裝本產品之前，請先閱讀「安全資訊」。

About this book

This manual contains instructions for installing and using your IBM® Internal Zip Drive. The guide is divided into two parts:

Part 1: Installation and User's Guide

This guide contains the product description, hardware and software installation instructions, and product use information. The User's Guide is provided on CD in the following languages:

- English
- French
- Spanish
- Italian
- Brazilian Portuguese
- Traditional Chinese
- Japanese

Part 2: Appendixes

This section contains help and service information, the product warranty, and notice information.

Note: The illustrations in this manual might be slightly different from your hardware.

Registering your option

Thank you for purchasing OPTIONS by IBM®. Please take a few moments to register your product and provide us with information that will help IBM to better serve you in the future. Your feedback is valuable to us in developing products and services that are important to you, as well as in developing better ways to communicate with you. Register your option on the IBM Web site at

<http://www.ibm.com/pc/register>

IBM will send you information and updates on your registered product unless you indicate on the Web site questionnaire that you do not want to receive further information.

Installation and user's guide

This section contains the product description, hardware and software installation instructions, and operating instructions.

Product description

The IBM Internal Zip Drive is a 3.5-inch AT Attachment Packet Interface (ATAPI) drive that works only with Zip disks and is supported only in computers that use the AT attachment/integrated drive electronics (ATA/IDE) architecture. You can conserve space on your hard disk by using your Zip to store and organize large files on Zip disks. Zip disks can easily hold multimedia, imaging, transaction-processing, or database files. The Zip drive and Zip disks are supported by Microsoft® operating systems.

In addition to this User's Guide, your option package contains:

- Zip internal drive with pre-installed white faceplate
- IDE cable
- Mounting screws
- Jumper
- Black Zip drive faceplate
- 3.5-inch to 5.25-inch conversion tray
- Black bezel
- White bezel
- Product Warranty information
- Safety information manual

Installation requirements

To install the Zip drive, you must have these items:

- Documentation - Make sure that the documentation that comes with your computer and operating system is available for reference.
- IDE port or bus adapter - Your computer must have an IDE port on the system board or an IDE bus adapter. If you are not sure about your IDE port or bus adapter, see the documentation that comes with your computer.
- IDE cables and connectors - The IDE cables connect the IDE port on the system board, or on an IDE bus adapter, to your IDE storage devices. If your computer has two IDE ports (one IDE cable on each port), you can attach up to four devices (two devices on each cable).

Note: Not all cables have connections for two IDE devices.

- Tool and mounting brackets - You will need a flat-blade screwdriver.

Most computers have 3.5-inch and 5.25-inch drive bays. The Zip drive you are installing is designed for a 3.5-inch bay, but it can be adapted to a 5.25-inch bay by using the conversion tray. For more information see “Step 5. Preparing the drive for a 5.25-inch bay” on page 1-7. Common bay dimensions are:

- 3.5-inch drive—10.2 cm x 15.2 cm x 2.6 cm (4 in. x 6 in. x 1 in.)
- 5.25-inch drive—15.2 cm x 20.3 cm x 4.1 cm (6 in. x 8 in. x 1.63 in.)

Installing the drive

The instructions in this section are general guidelines that apply to most computer models. For specific information on installing a drive in your computer, see the documentation that comes with your computer.

Step 1. Removing the computer cover

Before removing the computer cover, complete the following steps:

1. Turn off the computer and all attached devices.
2. Unplug all cables and power cords from the computer and all attached devices.

It is now safe to remove the cover. Locate a vacant drive bay, and remove the drive-bay panel. For specific information about opening your computer, see the documentation that comes with the computer.

Step 2. Unpacking the drive

Use the following procedure to unpack and handle the drive. To prevent damage and static-electricity discharge, limit handling as much as possible.

1. Do not open the antistatic bag until you are ready to install the drive. Static electricity can damage the drive and other computer components.
2. Touch your hand and the inner conductive surface of the antistatic bag containing the drive to an unpainted metal surface on the computer for two seconds. This drains static electricity from the bag and your body.
3. Before handling the drive, dissipate any electrical charge by touching an unpainted metal surface on the computer. Repeat this procedure after leaving and returning to your work area.
4. Always handle the drive by its edges. Do not touch any exposed printed circuitry, components or connector pins.
5. While installing the drive, avoid handling the drive unnecessarily. Rough handling can damage the heads, rotating disks, and bearings inside the drive housing.
6. If you must put the drive down, place the antistatic bag on a flat, padded surface, such as a magazine, and place the drive on the bag with the component side facing up.

7. Do not insert a Zip disk when the drive power is turned off.

Step 3. Replacing the drive faceplate

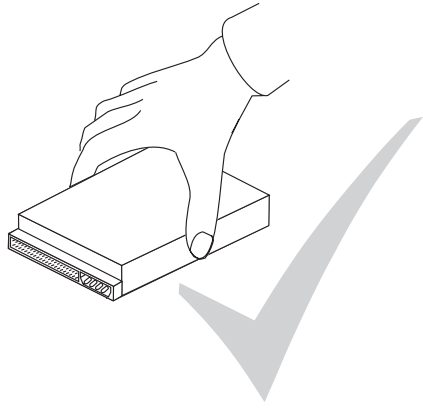
The Zip drive comes with a pre-installed white faceplate. If you prefer, you can remove the white faceplate and attach the included black faceplate to the drive.

To replace the faceplate:

1. Use the electrostatic precautions in “Step 2. Unpacking the drive” on page 1-2 when you handle the drive. Save the antistatic bag for later use.
2. Do not press on the top of the drive when you are replacing faceplates **1**. Always hold the drive by the sides **2**. Conduct the faceplate replacement operation on a clean, flat, padded, and static-free surface.

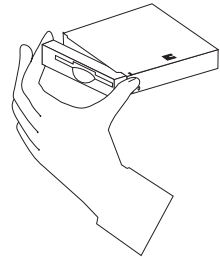
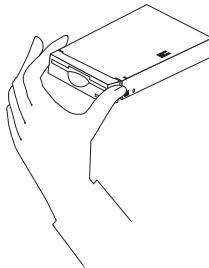
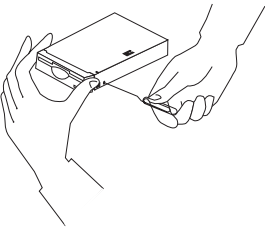


1

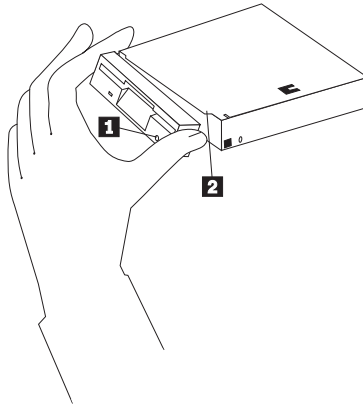


2

3. Using a straightened paper clip, as shown in the illustration, press on the right tab of the faceplate to detach it from the drive; then slowly and gently remove the faceplate. Do not bend the hooks that secure the top of the faceplate.



- Align the drive-light pipe on the drive with the light-pipe hole **1** on the new faceplate; then secure the right side of the new faceplate to the hook **2** on the corner of the drive.

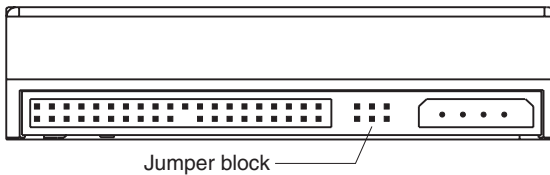


- Attach the left side of the new faceplate to the drive.
- Verify that the disk-eject switch clicks when you press on the light pipe.
- Verify that both the tabs and the hooks are fully locked in place.
- Place the removed faceplate in the antistatic bag, and return the bag to the original shipping container.

Step 4. Setting the configuration jumpers

You can configure your Zip drive as a slave, master, or cable select.

The jumper setting configurations for your drive are shown in the following illustration:



■ ■ ■ Slave
 (Factory Setting)

■ ■ ● ● Master

● ● ■ ■ Cable Select

Use the following guidelines to determine the correct configuration for your Zip drive.

Slave

The Zip drive comes set in the slave configuration so that you can install it as a second drive on an IDE connection when the first drive is configured as a master.

Refer to the documentation that comes with your existing IDE drive or with your computer to verify the correct jumper settings for your drives.

Master

If you are installing the Zip drive as the only drive on the IDE cable, configure the Zip drive as a master by placing the included jumper on the master jumper pins, as shown in the preceding illustration. If the Zip drive is the only drive on the IDE cable, you can attach an additional drive configured as a slave (a second Zip drive, an IDE hard disk drive, or a CD-ROM drive) to the IDE cable.

Cable select

Note: The cable-select configuration does not apply to IBM computers. If you are using an IBM computer, disregard the cable-select information in this section.

Some systems use special IDE cables that enable the drive to be configured as master or slave by the cable rather than by the jumper position. The cable-select position is to be used only for systems equipped with these special cables. See the documentation that comes with your computer to determine if your IDE bus adapter requires you to place the jumpers in the cable-select position.

If you do not have documentation, look at the IDE cable. On a cable-select system, there is a break or a hole on the IDE cable between the first and second drive connectors.

If you place the included jumper on the cable select jumper pins as shown in the preceding illustration, the IDE cable automatically assigns the master and slave settings based on the position of the drive on the cable. You must use the cable-select setting regardless whether the Zip drive is the only drive or the second drive connected to the cable. The drive closest to the IDE controller is automatically the master drive. The other device on the IDE cable must also be set to cable-select.

What to do next

If you are installing the drive in a 3.5-inch bay, go to “Step 6. Mounting the drive in the bay” on page 1-8.

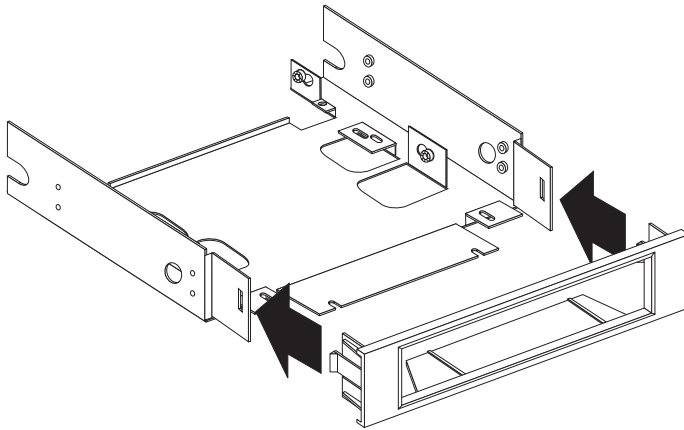
If you are installing the drive in a 5.25-inch bay, go to “Step 5. Preparing the drive for a 5.25-inch bay”.

Step 5. Preparing the drive for a 5.25-inch bay

You must use the 5.25-inch conversion tray to install the drive in a half-high industry-standard 5.25-inch bay. If you are installing the drive into a 3.5-inch bay, skip to “Step 6. Mounting the drive in the bay” on page 1-8.

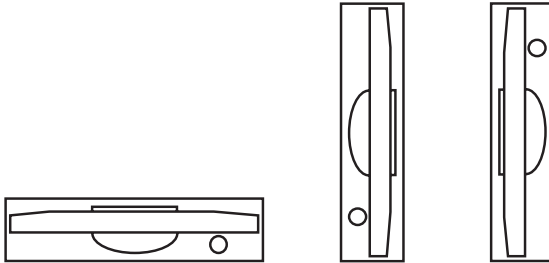
To mount the drive into the 5.25-inch conversion tray:

1. Place the conversion tray on a flat surface with the front facing forward.
2. Attach the black or white 5.25-inch bezel to the conversion tray as shown in the following illustration.
3. Place the Zip drive into the conversion tray, sliding it forward until it is flush with the 5.25-inch bezel.
4. Insert four mounting screws into the bottom of the conversion tray, attaching the conversion tray to the Zip drive.



Step 6. Mounting the drive in the bay

You can mount the drive horizontally or vertically in your computer.



To mount the drive in the bay:

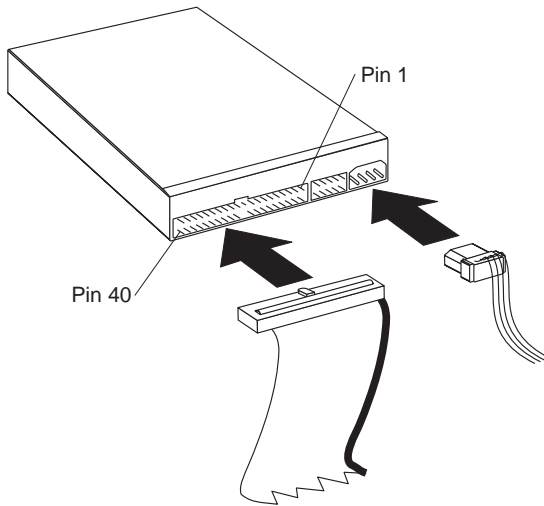
1. Locate a vacant drive bay, and remove the drive-bay panel.
2. Slide the drive into the bay.
3. Align the front of the Zip drive with other drives that are installed in the computer.
4. Align the drive-bay screw holes with the threaded holes in the drive housing or expansion brackets. For more information on the location of the drive-bay screw holes, see the documentation that comes with your computer.
5. Hand thread the screws to lightly secure the drive in the bay.
6. Check the drive alignment and tighten the screws. Do not overtighten.

Step 7. Connecting the drive and the cables

Connect the drive to an available 40-pin connector on the IDE cable. The IDE cable has three cable connectors; however, you can connect only two devices to the cable because you must use one of the connectors to connect the cable to the IDE port. If you are connecting only one device on the IDE cable, connect one end of the cable to the IDE port, and connect the other end of the cable to the device. If the IDE cable is already connected to another device and to the IDE port, connect the second device to the cable connector that is not being used.

If you are connecting two devices on the IDE cable, connect one end of the cable to the IDE port, and connect the master and slave devices to the remaining connectors. Many computers have two cables for attaching up to four IDE devices. Be sure that the startup hard disk drive is configured as a master on the IDE cable that is connected to the primary IDE port. Refer to the documentation that comes with your computer for information on the primary IDE port.

Connect an available dc power-cable connector to the four-pin dc power connector on the Zip drive, as shown.



If all power connectors are in use, you will need to purchase a dc Y-connector (available at many electronic stores) to provide power for two devices from one power cable.

The IDE cable connector is made to attach in only one way. If the connector does not attach using firm pressure, check the orientation of the cable connector to the drive connector, and try again. Be sure that the computer cover will not pinch the cables. Also make sure that the cables will not impede replacing the cover. Check that all other cable connections are secure.

Step 8. Completing the installation of the drive

To complete the installation of the drive, do the following:

1. Verify that the drive is securely mounted and the cables are firmly attached.
2. If there are two drives connected to an IDE cable, verify that one drive is configured as a master and the other drive is configured as a slave. If there is one drive connected to an IDE cable, verify that the drive is configured as a master.
3. Verify that the startup hard disk drive is configured as a master on the IDE cable that is connected to the primary IDE port.
4. Verify that the cables do not interfere with the computer cover and do not block the power-supply fan blades or airflow paths.
5. Replace the computer cover.
6. Reconnect all devices. Make sure that the keyboard, mouse, and monitor cables are firmly connected.

7. Reconnect all ac power cords.

Obtaining and using the optional IomegaWare software

After successfully completing installation, you are now able to read and write the appropriate Zip media to your IBM Internal Zip Drive. In addition, optional Iomega software, called IomegaWare, is available with the following features:

- Copy Disk tool: enables you to copy files greater than 32 MB.
- Protection: You can prevent anyone from reading from and writing to the Zip disk without a password.

To download the software:

1. Go to the IBM Personal Computing Division Web site at <http://www.ibm.com/pc/support/>.
2. Click **Options**.
3. Click **Diskette/ZIP Drives** from the **Category** menu.
4. Click **Internal** from the **Subcategory** menu.
5. Click **00N8078 IBM ZIP 250MB Internal Drive** or **20L0544 IBM ZIP 100MB IDE Internal Drive** from the **Option** category.
6. Select **Downloadable files**, located under the heading Technical Information on the left side of the page, to find the Iomega software package for your system.
7. Select Zip Drives from the Downloadable files by Category menu.
8. Click on Iomega executable and select a directory to download to.

To install the software:

1. Go to the directory where you downloaded the IomegaWare file and double-click the self-extracting program that was downloaded using the instructions in the preceding procedure.
2. Follow the on-screen instructions to install the software.

IomegaWare software is now ready to use. Double-click **My Computer** to display an icon for your Zip drive. Right-click the Zip icon in **My Computer** to access the IomegaWare tools.

Using the Zip drive and Zip disks

Attention: You must use Zip cartridges (not included) with your Zip drive. The Zip drive does not work with 1.44 MB¹ or 720 KB² diskettes. You will damage your Zip drive if you insert a 1.44 MB or 720 KB diskette. You must turn on your computer before inserting or removing a Zip disk.

You can use your Zip drive like any other drive on your computer system. Your Zip drive has its own drive letter, and you can copy files to and from the Zip drive.

You can use the Zip drive and Zip disks to:

- Conserve hard disk space by storing data on a Zip disk
- Transport large amounts of information on Zip disks
- Back up and archive files
- Store multimedia files that require large amounts of storage space

Formatting Zip disks

Note: IBM Internal Zip 100 Drives format Zip 100 media only. IBM Internal Zip 250 Drives can format Zip 100 and Zip 250 media.

To format a Zip disk, do the following:

1. Insert the Zip disk in the Zip drive.
2. In the My Computer window, right-click the **Zip Drive Removable Disk** icon.
3. Click **Format**.
4. Follow the on-screen instructions.

Note: Quick formatting a Zip 250 drive without IomegaWare software installed will incorrectly report that only 238.9 MB are available on the Zip disk. (This is a Microsoft operating system limitation). For information on IomegaWare, see “Obtaining and using the optional IomegaWare software” on page 1-10.

Note: You can use IomegaWare to create startable disks, except in Microsoft Windows[®] Millennium Edition (Me).

Transferring files to a Zip disk

Note: The number of files that you can transfer to the root directory is limited to 512. To copy more files, create a new folder. For information on creating a new folder, go to the Windows start menu and click **Help**.

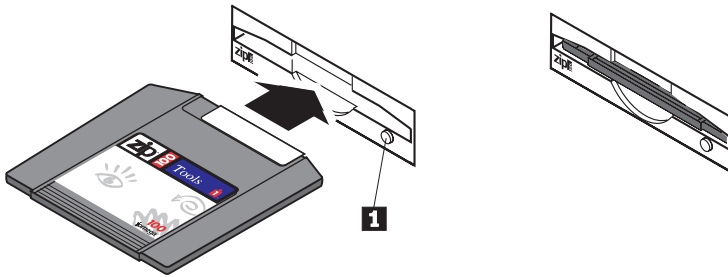
1. MB equals approximately 1 000 000 bytes.

2. KB equals approximately 1 000 bytes.

Click **Index** and type in a search for creating. Double-click **folders** and double-click **To create a new folder**.

To transfer files from your computer to a Zip disk:

1. Insert the Zip disk into the Zip drive, as shown. When you insert a Zip disk into the drive, the drive-busy indicator **1** lights for a moment.



(If the indicator continues to light, push the disk-eject switch to eject the Zip disk; then reinsert the disk)

2. On your desktop, double-click **My Computer**.
3. Double-click the **Zip disk** icon or the drive letter that corresponds to your Zip drive.
4. Use the file-transfer procedures for your operating system to copy files on your computer to the Zip drive. The Zip drive stores the files on the Zip disk.

Read-protecting and write-protecting Zip disks

The IomegaWare software (see “Obtaining and using the optional IomegaWare software” on page 1-10) contains a read-protect and write-protect utility program that enables you to:

- Write-protect a Zip disk without using a mechanical write-protect switch
- Assign a password that will be needed to disable write-protect on your Zip disk
- Read-protect a Zip disk so that it cannot be read from, or written to, if a user does not type the correct password

To read-protect or write-protect a Zip disk (after IomegaWare software is installed):

1. On your desktop, double-click **My Computer**.
2. Read- or write-protect the Zip disk by right-clicking the **Zip drive** icon and clicking the **Protect** option.

Note: If a Zip disk is not inserted in the drive, the **Protect** option will not be available.

Repeat these steps to remove read-protection or write-protection.

Reducing power consumption when using Zip disks

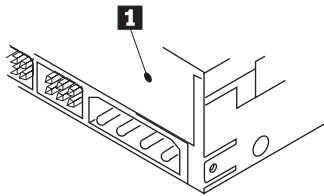
The Zip drive has an automatic sleep mode. This capability reduces power consumption and prolongs the life of Zip disks. After 15 minutes of inactivity, the Zip drive motor turns off, and the disk stops spinning. The Zip drive motor automatically resumes operation when it is accessed.

Zip disk emergency-eject

Attention: Before using the emergency disk-eject hole, you must turn off your computer and all attached devices and unplug all cables from the computer and all attached devices.

If you must remove a Zip disk from the drive during a power failure, do the following:

1. Remove the computer cover using the instructions in “Step 1. Removing the computer cover” on page 1-2.
2. Remove the IDE and power cables from the drive.
3. Push a straightened paper clip into the emergency disk-eject hole **1**, which is located above the power connector on the rear of the drive, as shown.



Do not forcibly remove the Zip disk from the drive. If the disk does not eject immediately, try the emergency disk-eject procedure again.

Appendix A. Help and service information

This section contains information on how to obtain online and telephone technical support.

Online technical support

Online technical support is available during the life of your product. Online assistance can be obtained through the Personal Computing Support Web site and the IBM Automated Fax System.

<i>Online technical support</i>	
IBM Personal Computing Support Web site	http://www.ibm.com/pc/support
IBM Automated Fax System	1-800-426-3395 (U.S. and Canada)

During the warranty period, assistance for replacement or exchange of defective components is available. In addition, if your IBM option is installed in an IBM computer, you might be entitled to service at your location. Your technical support representative can help you determine the best alternative.

Telephone technical support

Installation and configuration support through the HelpCenter[®] will be withdrawn or made available for a fee, at IBM's discretion, 90 days after the option has been withdrawn from marketing. Additional support offerings, including step-by-step installation assistance, are available for a nominal fee.

To assist the technical support representative, have available as much of the following information as possible:

- Option name
- Option number
- Proof of purchase
- Computer manufacturer, model, serial number (if IBM), and manual
- Exact wording of the error message (if any)
- Description of the problem
- Hardware and software configuration information for your system

If possible, be at your computer. Your technical support representative might want to walk you through the problem during the call.

For the support telephone number and support hours by country, refer to the following table. If the number is not provided, contact your IBM reseller or IBM marketing representative. Response time may vary depending on the number and nature of the calls received.

<i>Support 24 hours a day, 7 days a week</i>	
Canada (Toronto only)	416-383-3344
Canada (all other)	1-800-565-3344
U.S.A. and Puerto Rico	1-800-772-2227
All other countries	Go to http://www.ibm.com/pc/support/ , and click HelpCenter Phone List .

Appendix B. Product warranty and notices

This section contains the warranty period for your product and the IBM Statement of Limited Warranty.

Machine - Zip IDE Internal Drive
Warranty period* - One Year

** Contact your place of purchase for warranty service information. Some IBM Machines are eligible for on-site warranty service depending on the country where service is performed.*

IBM Statement of Limited Warranty

Part 1 - General Terms

This Statement of Limited Warranty includes Part 1 - General Terms and Part 2 - Country-unique Terms. The terms of Part 2 replace or modify those of Part 1. The warranties provided by IBM in this Statement of Limited Warranty apply only to Machines you purchase for your use, and not for resale, from IBM or your reseller. The term "Machine" means an IBM machine, its features, conversions, upgrades, elements, or accessories, or any combination of them. The term "Machine" does not include any software programs, whether pre-loaded with the Machine, installed subsequently or otherwise. Unless IBM specifies otherwise, the following warranties apply only in the country where you acquire the Machine. Nothing in this Statement of Limited Warranty affects any statutory rights of consumers that cannot be waived or limited by contract. If you have any questions, contact IBM or your reseller.

The IBM Warranty for Machines

IBM warrants that each Machine 1) is free from defects in materials and workmanship and 2) conforms to IBM's Official Published Specifications ("Specifications"). The warranty period for a Machine is a specified, fixed period commencing on its Date of Installation. The date on your sales receipt is the Date of Installation unless IBM or your reseller informs you otherwise.

If a Machine does not function as warranted during the warranty period, and IBM or your reseller are unable to either 1) make it do so or 2) replace it with one that is at least functionally equivalent, you may return it to your place of purchase and your money will be refunded.

Extent of Warranty

The warranty does not cover the repair or exchange of a Machine resulting from misuse, accident, modification, unsuitable physical or operating environment, improper maintenance by you, or failure caused by a product for which IBM is not responsible. The warranty is voided by removal or alteration of Machine or parts identification labels.

THESE WARRANTIES ARE YOUR EXCLUSIVE WARRANTIES AND REPLACE ALL OTHER WARRANTIES OR CONDITIONS, EXPRESS OR IMPLIED, INCLUDING, BUT NOT LIMITED TO, THE IMPLIED WARRANTIES OR CONDITIONS OF MERCHANTABILITY AND FITNESS FOR A PARTICULAR PURPOSE. THESE WARRANTIES GIVE YOU SPECIFIC LEGAL RIGHTS AND YOU MAY ALSO HAVE OTHER RIGHTS WHICH VARY FROM JURISDICTION TO JURISDICTION. SOME JURISDICTIONS DO NOT ALLOW THE EXCLUSION OR LIMITATION OF EXPRESS OR IMPLIED WARRANTIES, SO THE ABOVE EXCLUSION OR LIMITATION MAY NOT APPLY TO YOU. IN THAT EVENT, SUCH WARRANTIES ARE LIMITED IN DURATION TO THE WARRANTY PERIOD. NO WARRANTIES APPLY AFTER THAT PERIOD.

Items Not Covered by Warranty

IBM does not warrant uninterrupted or error-free operation of a Machine.

Any technical or other support provided for a Machine under warranty, such as assistance via telephone with “how-to” questions and those regarding Machine set-up and installation, will be provided **WITHOUT WARRANTIES OF ANY KIND.**

Warranty Service

To obtain warranty service for a Machine, contact IBM or your reseller. If you do not register your Machine with IBM, you may be required to present proof of purchase.

During the warranty period, IBM or your reseller, if approved by IBM to provide warranty service, provides without charge certain types of repair and exchange service to keep Machines in, or restore them to, conformance with their Specifications. IBM or your reseller will inform you of the available types of service for a Machine based on its country of installation. At its discretion, IBM or your reseller will 1) either repair or exchange the failing Machine and 2) provide the service either at your location or a service center. IBM or your reseller will also manage and install selected engineering changes that apply to the Machine.

Some parts of IBM Machines are designated as Customer Replaceable Units (called “CRUs”), e.g., keyboards, memory, or hard disk drives. IBM ships CRUs

to you for replacement by you. You must return all defective CRUs to IBM within 30 days of your receipt of the replacement CRU. You are responsible for downloading designated Machine Code and Licensed Internal Code updates from an IBM Internet Web site or from other electronic media, and following the instructions that IBM provides.

When warranty service involves the exchange of a Machine or part, the item IBM or your reseller replaces becomes its property and the replacement becomes yours. You represent that all removed items are genuine and unaltered. The replacement may not be new, but will be in good working order and at least functionally equivalent to the item replaced. The replacement assumes the warranty service status of the replaced item. Many features, conversions, or upgrades involve the removal of parts and their return to IBM. A part that replaces a removed part will assume the warranty service status of the removed part.

Before IBM or your reseller exchanges a Machine or part, you agree to remove all features, parts, options, alterations, and attachments not under warranty service.

You also agree to

1. ensure that the Machine is free of any legal obligations or restrictions that prevent its exchange;
2. obtain authorization from the owner to have IBM or your reseller service a Machine that you do not own; and
3. where applicable, before service is provided:
 - a. follow the problem determination, problem analysis, and service request procedures that IBM or your reseller provides;
 - b. secure all programs, data, and funds contained in a Machine;
 - c. provide IBM or your reseller with sufficient, free, and safe access to your facilities to permit them to fulfill their obligations; and
 - d. inform IBM or your reseller of changes in a Machine's location.

IBM is responsible for loss of, or damage to, your Machine while it is 1) in IBM's possession or 2) in transit in those cases where IBM is responsible for the transportation charges.

Neither IBM nor your reseller is responsible for any of your confidential, proprietary or personal information contained in a Machine which you return to IBM or your reseller for any reason. You should remove all such information from the Machine prior to its return.

Limitation of Liability

Circumstances may arise where, because of a default on IBM's part or other liability, you are entitled to recover damages from IBM. In each such instance,

regardless of the basis on which you are entitled to claim damages from IBM (including fundamental breach, negligence, misrepresentation, or other contract or tort claim), except for any liability that cannot be waived or limited by applicable laws, IBM is liable for no more than

1. damages for bodily injury (including death) and damage to real property and tangible personal property; and
2. the amount of any other actual direct damages, up to the charges (if recurring, 12 months' charges apply) for the Machine that is subject of the claim. For purposes of this item, the term "Machine" includes Machine Code and Licensed Internal Code.

This limit also applies to IBM's suppliers and your reseller. It is the maximum for which IBM, its suppliers, and your reseller are collectively responsible.

UNDER NO CIRCUMSTANCES IS IBM LIABLE FOR ANY OF THE FOLLOWING: 1) THIRD-PARTY CLAIMS AGAINST YOU FOR DAMAGES (OTHER THAN THOSE UNDER THE FIRST ITEM LISTED ABOVE); 2) LOSS OF, OR DAMAGE TO, YOUR RECORDS OR DATA; OR 3) SPECIAL, INCIDENTAL, OR INDIRECT DAMAGES OR FOR ANY ECONOMIC CONSEQUENTIAL DAMAGES, LOST PROFITS OR LOST SAVINGS, EVEN IF IBM, ITS SUPPLIERS OR YOUR RESELLER IS INFORMED OF THEIR POSSIBILITY. SOME JURISDICTIONS DO NOT ALLOW THE EXCLUSION OR LIMITATION OF INCIDENTAL OR CONSEQUENTIAL DAMAGES, SO THE ABOVE LIMITATION OR EXCLUSION MAY NOT APPLY TO YOU.

Governing Law

Both you and IBM consent to the application of the laws of the country in which you acquired the Machine to govern, interpret, and enforce all of your and IBM's rights, duties, and obligations arising from, or relating in any manner to, the subject matter of this Agreement, without regard to conflict of law principles.

Part 2 - Country-unique Terms

AMERICAS

BRAZIL

Governing Law: *The following is added after the first sentence:*

Any litigation arising from this Agreement will be settled exclusively by the court of Rio de Janeiro.

NORTH AMERICA

Warranty Service: *The following is added to this Section:*

To obtain warranty service from IBM in Canada or the United States, call 1-800-IBM-SERV (426-7378).

CANADA

Governing Law: *The following replaces “laws of the country in which you acquired the Machine” in the first sentence:*
laws in the Province of Ontario.

UNITED STATES

Governing Law: *The following replaces “laws of the country in which you acquired the Machine” in the first sentence:*
laws of the State of New York.

ASIA PACIFIC

AUSTRALIA

The IBM Warranty for Machines: *The following paragraph is added to this Section:*
The warranties specified in this Section are in addition to any rights you may have under the Trade Practices Act 1974 or other similar legislation and are only limited to the extent permitted by the applicable legislation.

Limitation of Liability: *The following is added to this Section:*

Where IBM is in breach of a condition or warranty implied by the Trade Practices Act 1974 or other similar legislation, IBM’s liability is limited to the repair or replacement of the goods or the supply of equivalent goods. Where that condition or warranty relates to right to sell, quiet possession or clear title, or the goods are of a kind ordinarily acquired for personal, domestic or household use or consumption, then none of the limitations in this paragraph apply.

Governing Law: *The following replaces “laws of the country in which you acquired the Machine” in the first sentence:*
laws of the State or Territory.

CAMBODIA, LAOS, AND VIETNAM

Governing Law: *The following replaces “laws of the country in which you acquired the Machine” in the first sentence:*
laws of the State of New York.

The following is added to this Section:

Disputes and differences arising out of or in connection with this Agreement

shall be finally settled by arbitration which shall be held in Singapore in accordance with the rules of the International Chamber of Commerce (ICC). The arbitrator or arbitrators designated in conformity with those rules shall have the power to rule on their own competence and on the validity of the Agreement to submit to arbitration. The arbitration award shall be final and binding for the parties without appeal and the arbitral award shall be in writing and set forth the findings of fact and the conclusions of law.

All proceedings shall be conducted, including all documents presented in such proceedings, in the English language. The number of arbitrators shall be three, with each side to the dispute being entitled to appoint one arbitrator.

The two arbitrators appointed by the parties shall appoint a third arbitrator before proceeding upon the reference. The third arbitrator shall act as chairman of the proceedings. Vacancies in the post of chairman shall be filled by the president of the ICC. Other vacancies shall be filled by the respective nominating party. Proceedings shall continue from the stage they were at when the vacancy occurred.

If one of the parties refuses or otherwise fails to appoint an arbitrator within 30 days of the date the other party appoints its, the first appointed arbitrator shall be the sole arbitrator, provided that the arbitrator was validly and properly appointed.

The English language version of this Agreement prevails over any other language version.

HONG KONG AND MACAU

Governing Law: *The following replaces "laws of the country in which you acquired the Machine" in the first sentence:*
laws of Hong Kong Special Administrative Region.

INDIA

Limitation of Liability: *The following replaces items 1 and 2 of this Section:*

1. liability for bodily injury (including death) or damage to real property and tangible personal property will be limited to that caused by IBM's negligence;
2. as to any other actual damage arising in any situation involving nonperformance by IBM pursuant to, or in any way related to the subject of this Statement of Limited Warranty, IBM's liability will be limited to the charge paid by you for the individual Machine that is the subject of the claim.

JAPAN

Governing Law: *The following sentence is added to this Section:*

Any doubts concerning this Agreement will be initially resolved between us in good faith and in accordance with the principle of mutual trust.

NEW ZEALAND

The IBM Warranty for Machines: *The following paragraph is added to this Section:*

The warranties specified in this Section are in addition to any rights you may have under the Consumer Guarantees Act 1993 or other legislation which cannot be excluded or limited. The Consumer Guarantees Act 1993 will not apply in respect of any goods which IBM provides, if you require the goods for the purposes of a business as defined in that Act.

Limitation of Liability: *The following is added to this Section:*

Where Machines are not acquired for the purposes of a business as defined in the Consumer Guarantees Act 1993, the limitations in this Section are subject to the limitations in that Act.

PEOPLE'S REPUBLIC OF CHINA (PRC)

Governing Law: *The following replaces this Section:*

Both you and IBM consent to the application of the laws of the State of New York (except when local law requires otherwise) to govern, interpret, and enforce all your and IBM's rights, duties, and obligations arising from, or relating in any manner to, the subject matter of this Agreement, without regard to conflict of law principles.

Any disputes arising from or in connection with this Agreement will first be resolved by friendly negotiations, failing which either of us has the right to submit the dispute to the China International Economic and Trade Arbitration Commission in Beijing, the PRC, for arbitration in accordance with its arbitration rules in force at the time. The arbitration tribunal will consist of three arbitrators. The language to be used therein will be English and Chinese. An arbitral award will be final and binding on all the parties, and will be enforceable under the Convention on the Recognition and Enforcement of Foreign Arbitral Awards (1958).

The arbitration fee will be borne by the losing party unless otherwise determined by the arbitral award.

During the course of arbitration, this Agreement will continue to be performed except for the part which the parties are disputing and which is undergoing arbitration.

EUROPE, MIDDLE EAST, AFRICA (EMEA)

THE FOLLOWING TERMS APPLY TO ALL EMEA COUNTRIES:

The terms of this Statement of Limited Warranty apply to Machines purchased from IBM or an IBM reseller.

Warranty Service:

If you purchase an IBM Machine in Austria, Belgium, Denmark, Estonia, Finland, France, Germany, Greece, Iceland, Ireland, Italy, Latvia, Lithuania, Luxembourg, Netherlands, Norway, Portugal, Spain, Sweden, Switzerland or United Kingdom, you may obtain warranty service for that Machine in any of those countries from either (1) an IBM reseller approved to perform warranty service or (2) from IBM. If you purchase an IBM Personal Computer Machine in Albania, Armenia, Belarus, Bosnia and Herzegovina, Bulgaria, Croatia, Czech Republic, Georgia, Hungary, Kazakhstan, Kirghizia, Federal Republic of Yugoslavia, Former Yugoslav Republic of Macedonia (FYROM), Moldova, Poland, Romania, Russia, Slovak Republic, Slovenia, or Ukraine, you may obtain warranty service for that Machine in any of those countries from either (1) an IBM reseller approved to perform warranty service or (2) from IBM.

If you purchase an IBM Machine in a Middle Eastern or African country, you may obtain warranty service for that Machine from the IBM entity within the country of purchase, if that IBM entity provides warranty service in that country, or from an IBM reseller, approved by IBM to perform warranty service on that Machine in that country. Warranty service in Africa is available within 50 kilometers of an IBM authorized service provider. You are responsible for transportation costs for Machines located outside 50 kilometers of an IBM authorized service provider.

Governing Law:

The applicable laws that govern, interpret and enforce rights, duties, and obligations of each of us arising from, or relating in any manner to, the subject matter of this Statement, without regard to conflict of laws principles, as well as Country-unique terms and competent court for this Statement are those of the country in which the warranty service is being provided, except that in 1) Albania, Bosnia-Herzegovina, Bulgaria, Croatia, Hungary, Former Yugoslav Republic of Macedonia, Romania, Slovakia, Slovenia, Armenia, Azerbaijan, Belarus, Georgia, Kazakhstan, Kyrgyzstan, Moldova, Russia, Tajikistan, Turkmenistan, Ukraine, and Uzbekistan, the laws of Austria apply; 2) Estonia, Latvia, and Lithuania, the laws of Finland apply; 3) Algeria, Benin, Burkina Faso, Cameroon, Cape Verde, Central African Republic, Chad, Congo, Djibouti, Democratic Republic of Congo, Equatorial Guinea, France, Gabon, Gambia, Guinea, Guinea-Bissau, Ivory Coast, Lebanon, Mali, Mauritania, Morocco, Niger, Senegal, Togo, and Tunisia, this Agreement will be construed and the legal relations between the parties will be determined in accordance with the French laws and all disputes arising out of this Agreement or related to its

violation or execution, including summary proceedings, will be settled exclusively by the Commercial Court of Paris; 4) Angola, Bahrain, Botswana, Burundi, Egypt, Eritrea, Ethiopia, Ghana, Jordan, Kenya, Kuwait, Liberia, Malawi, Malta, Mozambique, Nigeria, Oman, Pakistan, Qatar, Rwanda, Sao Tome, Saudi Arabia, Sierra Leone, Somalia, Tanzania, Uganda, United Arab Emirates, United Kingdom, West Bank/Gaza, Yemen, Zambia, and Zimbabwe, this Agreement will be governed by English Law and disputes relating to it will be submitted to the exclusive jurisdiction of the English courts; and 5) in Greece, Israel, Italy, Portugal, and Spain any legal claim arising out of this Statement will be brought before, and finally settled by, the competent court of Athens, Tel Aviv, Milan, Lisbon, and Madrid, respectively.

THE FOLLOWING TERMS APPLY TO THE COUNTRY SPECIFIED:

AUSTRIA AND GERMANY

The IBM Warranty for Machines: *The following replaces the first sentence of the first paragraph of this Section:*

The warranty for an IBM Machine covers the functionality of the Machine for its normal use and the Machine's conformity to its Specifications.

The following paragraphs are added to this Section:

The minimum warranty period for Machines is six months. In case IBM or your reseller is unable to repair an IBM Machine, you can alternatively ask for a partial refund as far as justified by the reduced value of the unrepaired Machine or ask for a cancellation of the respective agreement for such Machine and get your money refunded.

Extent of Warranty: *The second paragraph does not apply.*

Warranty Service: *The following is added to this Section:*

During the warranty period, transportation for delivery of the failing Machine to IBM will be at IBM's expense.

Limitation of Liability: *The following paragraph is added to this Section:*

The limitations and exclusions specified in the Statement of Limited Warranty will not apply to damages caused by IBM with fraud or gross negligence and for express warranty.

The following sentence is added to the end of item 2:

IBM's liability under this item is limited to the violation of essential contractual terms in cases of ordinary negligence.

EGYPT

Limitation of Liability: *The following replaces item 2 in this Section:*

as to any other actual direct damages, IBM's liability will be limited to the total amount you paid for the Machine that is the subject of the claim. For purposes of this item, the term "Machine" includes Machine Code and Licensed Internal Code.

Applicability of suppliers and resellers (unchanged).

FRANCE

Limitation of Liability: *The following replaces the second sentence of the first paragraph of this Section:*

In such instances, regardless of the basis on which you are entitled to claim damages from IBM, IBM is liable for no more than: *(items 1 and 2 unchanged).*

IRELAND

Extent of Warranty: *The following is added to this Section:*

Except as expressly provided in these terms and conditions, all statutory conditions, including all warranties implied, but without prejudice to the generality of the foregoing all warranties implied by the Sale of Goods Act 1893 or the Sale of Goods and Supply of Services Act 1980 are hereby excluded.

Limitation of Liability: *The following replaces items one and two of the first paragraph of this Section:*

1. death or personal injury or physical damage to your real property solely caused by IBM's negligence; and
2. the amount of any other actual direct damages, up to 125 percent of the charges (if recurring, the 12 months' charges apply) for the Machine that is the subject of the claim or which otherwise gives rise to the claim.

Applicability of suppliers and resellers (unchanged).

The following paragraph is added at the end of this Section:

IBM's entire liability and your sole remedy, whether in contract or in tort, in respect of any default shall be limited to damages.

ITALY

Limitation of Liability: *The following replaces the second sentence in the first paragraph:*

In each such instance unless otherwise provided by mandatory law, IBM is liable for no more than:

1. *(unchanged)*
2. as to any other actual damage arising in all situations involving

nonperformance by IBM pursuant to, or in any way related to the subject matter of this Statement of Warranty, IBM's liability, will be limited to the total amount you paid for the Machine that is the subject of the claim.

Applicability of suppliers and resellers (unchanged).

The following replaces the third paragraph of this Section:

Unless otherwise provided by mandatory law, IBM and your reseller are not liable for any of the following: *(items 1 and 2 unchanged)* 3) indirect damages, even if IBM or your reseller is informed of their possibility.

SOUTH AFRICA, NAMIBIA, BOTSWANA, LESOTHO AND SWAZILAND

Limitation of Liability: *The following is added to this Section:*

IBM's entire liability to you for actual damages arising in all situations involving nonperformance by IBM in respect of the subject matter of this Statement of Warranty will be limited to the charge paid by you for the individual Machine that is the subject of your claim from IBM.

UNITED KINGDOM

Limitation of Liability: *The following replaces items 1 and 2 of the first paragraph of this Section:*

1. death or personal injury or physical damage to your real property solely caused by IBM's negligence;
2. the amount of any other actual direct damages or loss, up to 125 percent of the charges (if recurring, the 12 months' charges apply) for the Machine that is the subject of the claim or which otherwise gives rise to the claim;

The following item is added to this paragraph:

3. breach of IBM's obligations implied by Section 12 of the Sale of Goods Act 1979 or Section 2 of the Supply of Goods and Services Act 1982.

Applicability of suppliers and resellers (unchanged).

The following is added to the end of this Section:

IBM's entire liability and your sole remedy, whether in contract or in tort, in respect of any default shall be limited to damages.

Notices

This publication was developed for products and services offered in the U.S.A. IBM may not offer the products, services, or features discussed in this document in other countries. Consult your local IBM representative for information on the products and services currently available in your area. Any reference to an IBM product, program, or service is not intended to state or imply that only that IBM product, program, or service may be used. Any

functionally equivalent product, program, or service that does not infringe any IBM intellectual property right may be used instead. However, it is the user's responsibility to evaluate and verify the operation of any non-IBM product, program, or service.

IBM may have patents or pending patent applications covering subject matter described in this document. The furnishing of this document does not give you any license to these patents. You can send license inquiries, in writing, to:

IBM Director of Licensing
IBM Corporation
North Castle Drive
Armonk, NY 10504-1785
U.S.A.

The following paragraph does not apply to the United Kingdom or any country where such provisions are inconsistent with local law:

INTERNATIONAL BUSINESS MACHINES CORPORATION PROVIDES THIS PUBLICATION "AS IS" WITHOUT WARRANTY OF ANY KIND, EITHER EXPRESS OR IMPLIED, INCLUDING, BUT NOT LIMITED TO, THE IMPLIED WARRANTIES OF NON-INFRINGEMENT, MERCHANTABILITY OR FITNESS FOR A PARTICULAR PURPOSE. Some states do not allow disclaimer of express or implied warranties in certain transactions, therefore, this statement may not apply to you.

This information could include technical inaccuracies or typographical errors. Changes are periodically made to the information herein; these changes will be incorporated in new editions of the publication. IBM may make improvements and/or changes in the product(s) and/or the program(s) described in this publication at any time without notice.

IBM may use or distribute any of the information you supply in any way it believes appropriate without incurring any obligation to you.

Any references in this publication to non-IBM Web sites are provided for convenience only and do not in any manner serve as an endorsement of those Web sites. The materials at those Web sites are not part of the materials for this IBM product, and use of those Web sites is at your own risk.

Processing date data

This IBM hardware product and IBM software products that might be packaged with it have been designed, when used in accordance with their associated documentation, to process date data correctly within and between the 20th and 21st centuries, provided all other products (for example, software, hardware, and firmware) used with these products properly exchange accurate date data with them.

IBM cannot take responsibility for the date data processing capabilities of non-IBM products, even if those products are preinstalled or otherwise distributed by IBM. You should contact the vendors responsible for those products directly to determine the capabilities of their products and update them if needed. This IBM hardware product cannot prevent errors that might occur if software, upgrades, or peripheral devices you use or exchange data with do not process date data correctly.

The foregoing is a Year 2000 Readiness Disclosure.

Any performance data contained herein was determined in a controlled environment. Therefore, the result obtained in other operating environments may vary significantly. Some measurements may have been made on development-level systems and there is no guarantee that these measurements will be the same on generally available systems. Furthermore, some measurements may have been estimated through extrapolation. Actual results may vary. Users of this document should verify the applicable data for their specific environment.

Trademarks

The following terms are trademarks of the IBM Corporation in the United States, other countries, or both:

IBM

HelpCenter

Microsoft and Windows are trademarks of Microsoft Corporation in the United States, other countries, or both.

Other company, product, and service names may be trademarks or service marks of others.

Electronic emission notices

Zip IDE Internal Drive

Federal Communications Commission (FCC) statement

Note: This equipment has been tested and found to comply with the limits for a Class B digital device, pursuant to Part 15 of the FCC Rules. These limits are designed to provide reasonable protection against harmful interference in a residential installation. This equipment generates, uses, and can radiate radio frequency energy and, if not installed and used in accordance with the instructions, may cause harmful interference to radio communications. However, there is no guarantee that interference will not occur in a particular installation. If this equipment does cause harmful interference to radio or

television reception, which can be determined by turning the equipment off and on, the user is encouraged to try to correct the interference by one or more of the following measures:

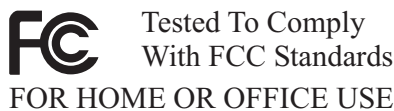
- Reorient or relocate the receiving antenna.
- Increase the separation between the equipment and receiver.
- Connect the equipment into an outlet on a circuit different from that to which the receiver is connected.
- Consult an IBM authorized dealer or service representative for help.

Properly shielded and grounded cables and connectors must be used in order to meet FCC emission limits. Proper cables and connectors are available from IBM authorized dealers. IBM is not responsible for any radio or television interference caused by using other than recommended cables and connectors or by unauthorized changes or modifications to this equipment. Unauthorized changes or modifications could void the user's authority to operate the equipment.

This device complies with Part 15 of the FCC Rules. Operation is subject to the following two conditions: (1) this device may not cause harmful interference, and (2) this device must accept any interference received, including interference that may cause undesired operation.

Responsible party:

International Business Machines Corporation
New Orchard Road
Armonk, NY 10504
Telephone: 1-919-543-2193



Industry Canada Class B emission compliance statement

This Class B digital apparatus complies with Canadian ICES-003.

Avis de conformité à la réglementation d'Industrie Canada

Cet appareil numérique de classe B est conforme à la norme NMB-003 du Canada.

Deutsche EMV-Direktive (electromagnetische Verträglichkeit)

Dieses Gerät ist berechtigt in Übereinstimmung mit dem deutschen EMVG vom 9.Nov.92 das EG-Konformitätszeichen zu führen.

Der Aussteller der Konformitätserklärung ist die IBM UK, Greenock.

Dieses Gerät erfüllt die Bedingungen der EN 55022 Klasse B.

European Union - emission directive

This product is in conformity with the protection requirements of EU Council Directive 89/366/ECC on the approximation of the laws of the Member States relating to electromagnetic compatibility.

IBM can not accept responsibility for any failure to satisfy the protection requirements resulting from a non-recommended modification of the product, including the fitting of non-IBM option cards.

This product has been tested and found to comply with the limits for Class B Information Technology Equipment according to CISPR 22/European Standard EN 55022. The limits for Class B equipment were derived for typical residential environments to provide reasonable protection against interference with licensed communication devices.

Union Européenne - Directive Conformité électromagnétique

Ce produit est conforme aux exigences de protection de la Directive 89/336/EEC du Conseil de l'UE sur le rapprochement des lois des États membres en matière de compatibilité électromagnétique.

IBM ne peut accepter aucune responsabilité pour le manquement aux exigences de protection résultant d'une modification non recommandée du produit, y compris l'installation de cartes autres que les cartes IBM.

Ce produit a été testé et il satisfait les conditions de l'équipement informatique de Classe B en vertu de CISPR22/Standard européen EN 55022. Les conditions pour l'équipement de Classe B ont été définies en fonction d'un contexte résidentiel ordinaire afin de fournir une protection raisonnable contre l'interférence d'appareils de communication autorisés.

Unione Europea - Directiva EMC (Conformidad electromagnética)

Este producto satisface los requisitos de protección del Consejo de la UE, Directiva 89/336/CEE en lo que a la legislatura de los Estados Miembros sobre compatibilidad electromagnética se refiere.

IBM no puede aceptar responsabilidad alguna si este producto deja de satisfacer dichos requisitos de protección como resultado de una modificación no recomendada del producto, incluyendo el ajuste de tarjetas de opción que no sean IBM.

Este producto ha sido probado y satisface los límites para Equipos Informáticos Clase B de conformidad con el Estándar CISPR22 y el Estándar Europeo EN 55022. Los límites para los equipos de Clase B se han establecido para entornos residenciales típicos a fin de proporcionar una protección razonable contra las interferencias con dispositivos de comunicación licenciados.

Union Europea - Normativa EMC

Questo prodotto è conforme alle normative di protezione ai sensi della Direttiva del Consiglio dell'Unione Europea 89/336/CEE sull'armonizzazione legislativa degli stati membri in materia di compatibilità elettromagnetica.

IBM non accetta responsabilità alcuna per la mancata conformità alle normative di protezione dovuta a modifiche non consigliate al prodotto, compresa l'installazione di schede e componenti di marca diversa da IBM.

Le prove effettuate sul presente prodotto hanno accertato che esso rientra nei limiti stabiliti per le apparecchiature di informatica Classe B ai sensi del CISPR 22/Norma Europea EN 55022. I limiti delle apparecchiature della Classe B sono stati stabiliti al fine di fornire ragionevole protezione da interferenze mediante dispositivi di comunicazione in concessione in ambienti residenziali tipici.

Korean B급 규격 증명서

이 장치는 옥내용으로 보증되었으며 모든 환경에서 사용할 수 있습니다.

この装置は、情報処理装置等電波障害自主規制協議会（VCCI）の基準に基づくクラスB情報技術装置です。この装置は、家庭環境で使用することを目的としていますが、この装置がラジオやテレビジョン受信機に近接して使用されると、受信障害を引き起こすことがあります。
取扱説明書に従って正しい取り扱いをして下さい。

Japanese statement of compliance for products less than or equal to 20 A per phase

高調波ガイドライン適合品



Part Number: 22P7159



Printed in the United States of America
on recycled paper containing 10%
recovered post-consumer fiber.

(1P) P/N: 22P7159

