

Server Connectivity Module for IBM
BladeCenter



Installation Guide

Server Connectivity Module for IBM
BladeCenter



Installation Guide

Note:

Before using this information and the product it supports, read the general information in Appendix B, "Warranty information," on page 47 and Appendix C, "Notices," on page 71.

Second Edition (August 2006)

© Copyright International Business Machines Corporation 2006. All rights reserved.
US Government Users Restricted Rights – Use, duplication or disclosure restricted by
GSA ADP Schedule Contract with IBM Corp.

Contents

Safety	v
Chapter 1. Introduction	1
Related documentation	3
Features and specifications.	5
Standards	6
Notices and statements in this document	7
Major components of the I/O module	8
Chapter 2. Installing and removing components	9
Installation guidelines	9
Handling static-sensitive devices	10
Installing an I/O module	11
Removing an I/O module	13
Chapter 3. Information panel LEDs and external ports	15
Information panel	15
LEDs	16
Chapter 4. Configuring the I/O module	19
Configuring through the management-module interface	19
Establishing a TCP/IP session for the I/O module through the management module	22
Enabling the external ports	24
Configuring through the advanced management-module interface	25
Configuring through the browser-based interface.	27
Configuring through the Telnet interface.	29
Connecting to the I/O module	29
Telnet usage conventions	29
Accessing the main menu	30
Logging onto the I/O module	30
First-time connection to the I/O module.	31
Chapter 5. Updating the software	33
Management-module software level	33
Updating the I/O module software	33
Determining the level of the I/O module software	33
Obtaining the latest level of software for the I/O module	34
Upgrading the I/O module software	34
Resetting and restarting the I/O module	36
Chapter 6. Solving problems	39

Running POST	39
POST errors	39
Chapter 7. Parts listing	41
Appendix A. Getting help and technical assistance	43
Before you call	43
Using the documentation	43
Getting help and information from the World Wide Web	44
Software service and support	44
Hardware service and support	44
IBM Taiwan product service	45
Appendix B. Warranty information	47
IBM Statement of Limited Warranty Z125-4753-08 04/2004	47
Part 1 - General Terms	47
Part 2 - Country-unique Terms	52
Part 3 - Warranty Information	67
Appendix C. Notices	71
Trademarks	72
Important notes	73
Product recycling and disposal	73
Battery return program	75
Electronic emission notices	76
Federal Communications Commission (FCC) statement	76
Industry Canada Class A emission compliance statement	76
Australia and New Zealand Class A statement	77
United Kingdom telecommunications safety requirement	77
European Union EMC Directive conformance statement	77
Taiwanese Class A warning statement	77
Chinese Class A warning statement	78
Japanese Voluntary Control Council for Interference (VCCI) statement	78
Index	79

Safety

Before installing this product, read the Safety Information.

قبل تركيب هذا المنتج، يجب قراءة الملاحظات الأمنية

Antes de instalar este produto, leia as Informações de Segurança.

在安装本产品之前，请仔细阅读 **Safety Information** (安全信息)。

安裝本產品之前，請先閱讀「安全資訊」。

Prije instalacije ovog produkta obavezno pročitajte Sigurnosne Upute.

Před instalací tohoto produktu si přečtěte příručku bezpečnostních instrukcí.

Læs sikkerhedsforskrifterne, før du installerer dette produkt.

Lees voordat u dit product installeert eerst de veiligheidsvoorschriften.

Ennen kuin asennat tämän tuotteen, lue turvaohjeet kohdasta Safety Information.

Avant d'installer ce produit, lisez les consignes de sécurité.

Vor der Installation dieses Produkts die Sicherheitshinweise lesen.

Πριν εγκαταστήσετε το προϊόν αυτό, διαβάστε τις πληροφορίες ασφάλειας (safety information).

לפני שתתקינו מוצר זה, קראו את הוראות הבטיחות.

A termék telepítése előtt olvassa el a Biztonsági előírásokat!

Prima di installare questo prodotto, leggere le Informazioni sulla Sicurezza.

製品の設置の前に、安全情報をお読みください。

본 제품을 설치하기 전에 안전 정보를 읽으십시오.

Пред да се инсталира овој продукт, прочитајте информацијата за безбедност.

Les sikkerhetsinformasjonen (Safety Information) før du installerer dette produktet.

Przed zainstalowaniem tego produktu, należy zapoznać się z książką "Informacje dotyczące bezpieczeństwa" (Safety Information).

Antes de instalar este produto, leia as Informações sobre Segurança.

Перед установкой продукта прочтите инструкции по технике безопасности.

Pred inštaláciou tohto zariadenia si pečítajte Bezpečnostné predpisy.

Pred namestitvijo tega proizvoda preberite Varnostne informacije.

Antes de instalar este producto, lea la información de seguridad.

Läs säkerhetsinformationen innan du installerar den här produkten.

Important:

All caution and danger statements in this documentation begin with a number. This number is used to cross reference an English caution or danger statement with translated versions of the caution or danger statement in the *IBM Safety Information* book.

For example, if a caution statement begins with a number 1, translations for that caution statement appear in the *IBM Safety Information* book under statement 1.

Be sure to read all caution and danger statements in this documentation before performing the instructions. Read any additional safety information that comes with your server or optional device before you install the device.

Statement 1:



DANGER

Electrical current from power, telephone, and communication cables is hazardous.

To avoid a shock hazard:

- Do not connect or disconnect any cables or perform installation, maintenance, or reconfiguration of this product during an electrical storm.
- Connect all power cords to a properly wired and grounded electrical outlet.
- Connect to properly wired outlets any equipment that will be attached to this product.
- When possible, use one hand only to connect or disconnect signal cables.
- Never turn on any equipment when there is evidence of fire, water, or structural damage.
- Disconnect the attached power cords, telecommunications systems, networks, and modems before you open the device covers, unless instructed otherwise in the installation and configuration procedures.
- Connect and disconnect cables as described in the following table when installing, moving, or opening covers on this product or attached devices.

To Connect:

1. Turn everything OFF.
2. First, attach all cables to devices.
3. Attach signal cables to connectors.
4. Attach power cords to outlet.
5. Turn device ON.

To Disconnect:

1. Turn everything OFF.
2. First, remove power cords from outlet.
3. Remove signal cables from connectors.
4. Remove all cables from devices.

Chapter 1. Introduction

This *Installation Guide* contains information about setting up, installing, and configuring the Server Connectivity Module for IBM® BladeCenter®.

For installation details, see Chapter 2, “Installing and removing components,” on page 9. For additional information, see the instructions in your BladeCenter unit documentation. The Server Connectivity Module for IBM BladeCenter is also referred to throughout this document as the switch module or I/O module.

You can obtain up-to-date information about the I/O module at <http://www.ibm.com/servers/eserver/support/bladecenter/index.html>. You can obtain up-to-date information about other IBM products at <http://www.ibm.com/servers/eserver/support/xseries/index.html>.

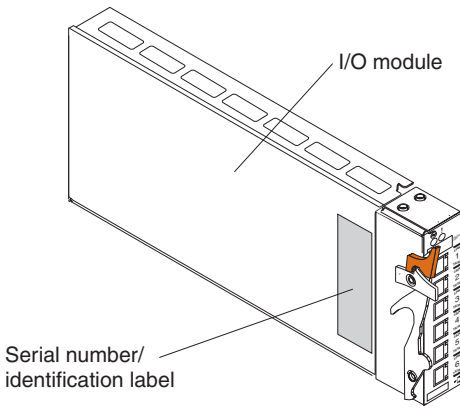
Notes:

- Unless otherwise stated, references to the BladeCenter unit apply to all BladeCenter unit types.
- Changes are made periodically to the IBM Web site. Procedures for locating firmware and documentation might vary slightly from what is described in this document.
- The illustrations in this document might differ slightly from your hardware.
- The sample screens that appear in this document might differ slightly from the screens that are displayed by your system. Screen content varies according to the type of BladeCenter unit and the firmware versions and options that are installed.
- Unless otherwise stated, references to the management module apply to all types of BladeCenter management modules.

Record information about the I/O module in the following table. The product name and serial number are on the identification label on the side of the I/O module. You will need this information when you register the I/O module with IBM. You can register the I/O module at <http://www.ibm.com/support/mysupport/>.

Product name	Server Connectivity Module for IBM BladeCenter
Serial number	_____
Other identifiers	_____

The following illustration shows the locations of the identification label and the serial number on the I/O module.



Related documentation

This *Installation Guide* contains setup, installation, configuration, and troubleshooting instructions for the I/O module. This document also provides general information about the I/O module, including warranty information, and how to get help.

In addition to this *Installation Guide*, the *Server Connectivity Module for IBM BladeCenter User's Guide* comes with the I/O module. This document contains detailed information, including usage examples, to help you plan, implement, and administer local area network (LAN) operating-system software. This document describes:

- An overview of how the I/O module operates
- How to set up, access, and configure the I/O module
- How to establish a TCP/IP session for the I/O module through the management module
- Information about first-time connection to the I/O module
- How to view information about the I/O module
- How to calculate and obtain statistical data about the I/O module
- How to remotely manage the I/O module through various methods
- How to group multiple physical ports and virtual LANs (VLANs) together to aggregate the bandwidth between large-scale network devices
- How to use menu commands and the Server Connectivity Module command-line interface (CLI)
- How to use the browser-based interface
- Telnet program interface requirements

The following related documentation is in Portable Document Format (PDF) on the *BladeCenter Documentation* CD that comes with your BladeCenter or BladeCenter T unit:

- *Safety Information*

This document contains translated caution and danger statements. Each caution and danger statement that appears in the documentation has a number that you can use to locate the corresponding statement in your language in the *Safety Information* document.

- *BladeCenter Management Module User's Guide*

This document provides general information about the management module for your BladeCenter or BladeCenter T unit type, including information about features, how to configure the management module, and how to get help.

- *BladeCenter Management Module Command-Line Interface Reference Guide*

This document explains how to use the management-module CLI to directly access BladeCenter management functions as an alternative to using the Web-based user interface. The CLI also provides access to the text-console command prompt on each blade server through a Serial over LAN (SOL) connection.

- *IBM BladeCenter Serial over LAN Setup Guide*

This document explains how to update and configure BladeCenter components for SOL operation. The SOL connection provides access to the text-console command prompt on each blade server, enabling the blade servers to be managed from a remote location.

The most recent versions of this *Installation Guide* and all other BladeCenter documentation are at <http://www.ibm.com/servers/eserver/support/bladecenter/index.html>.

Features and specifications

This section provides a summary of the features and specifications that apply to the Server Connectivity Module for IBM BladeCenter. For detailed information about the features, see the *Server Connectivity Module for IBM BladeCenter User's Guide*.

Table 1. Features and specifications

- | |
|---|
| <ul style="list-style-type: none">• Simple Configuration and Control: This device should be configurable by a non-networking system administrator through a graphical user interface (GUI) or a command-line interface (CLI). Typical networking concepts, such as spanning tree redundancy, virtual local area networks (VLANs), port filters, link aggregation, port trunks, and remote monitoring (RMON) statistics are not typically used or understood by this class of administrator. The default operation will be to hide the underlying networking function and configuration from the user. Some functions, such as Spanning Tree Protocol, are eliminated since they are not required. Only a few simple networking parameters are available to the user to configure and control the Server Connectivity Module.• Ports<ul style="list-style-type: none">– Internal ports<ul style="list-style-type: none">- Fourteen internal full-duplex Gigabit ports, one connected to each of the blade servers in the BladeCenter unit. Eight internal links in a BladeCenter-T chassis.- Two internal full-duplex 100 Mbps ports connected to the management module in slots 1 and 2.– External copper ports<ul style="list-style-type: none">- Six external ports are provided using standard Category 5 enhanced (5e) copper cable connectors.- 10/100/1000 Mbps interfaces: The external ports connect at 10 Mbps Full Duplex, 100 Mbps Full Duplex, or 1 Gbps Full Duplex.- Auto-negotiation capability.- Copper connection for making connections to a backbone, end stations, and servers. |
| <ul style="list-style-type: none">• Internal Switching: This device provides packet switching between the blade servers and management modules within the chassis to support Serial over LAN (SOL) and other future traffic flows. Blade-server-to-blade-server switching is supported for those blade server ports that are assigned to a common group. This support does not require explicit configuration to be operational.• Configuration of the Server Connectivity Module is only through a connection to a management-module port and not through the external switch ports.• Support for tagged VLANs: The administrator can define VLAN identifiers (IDs) to match specific server application requirements.• Cisco EtherChannel compatible static link aggregation.• Management-module control that allows for external ports to be enabled or disabled.• Support for Ethernet jumbo frame formats (up to 9K bytes per frame). |

Table 1. Features and specifications (continued)

<ul style="list-style-type: none">• Two independent internal 100 Mbps FDX links connected to each of two management modules (jumbo frame support not required on these links).• Management-module I²C interface that provides VPD and register access.• Level-2 (L2) switching per current industry standards and practice.• “Non-networking” device appearance allows administration and installation of this device by the system manager rather than a network administrator.• Port aggregation (external ports).• Port group failover (triggered by external ports).• IEEE 802.3x Flow Control.• Internet group multicast protocol (IGMP) snooping.• IEEE 802.1Q support for SOL and optional user VLAN tagging of external ports.• An embedded central processing subsystem for initialization, configuration, and management.• RADIUS or TACACS+ user authentication.
<ul style="list-style-type: none">• Network cables<ul style="list-style-type: none">– 10BASE-T:<ul style="list-style-type: none">- UTP Category 3, 4, 5 (100 meters or 328.1 ft maximum)- 100-ohm STP (100 meters or 328.1 ft maximum)– 100BASE-TX:<ul style="list-style-type: none">- UTP Category 5 (100 meters or 328.1 ft maximum)- EIA/TIA-568 100-ohm STP (100 meters or 328.1 ft maximum)– 1000BASE-T:<ul style="list-style-type: none">- UTP Category 6 (standard for 1 GB devices)- UTP Category 5e (100 meters or 328.1 ft maximum)- UTP Category 5 (100 meters or 328.1 ft maximum)- EIA/TIA-568B 100-ohm STP (100 meters or 328.1 ft maximum)

Standards

The Server Connectivity Module supports the following Institute of Electrical and Electronics Engineers (IEEE) standards:

- IEEE 802.3x
- IEEE 802.1Q (tagged) VLANs

Notices and statements in this document

The caution and danger statements that appear in this document are also in the multilingual *Safety Information* document, which is on the IBM *BladeCenter Documentation* CD. Each statement is numbered for reference to the corresponding statement in the *Safety Information* document.

The following notices and statements are used in this document:

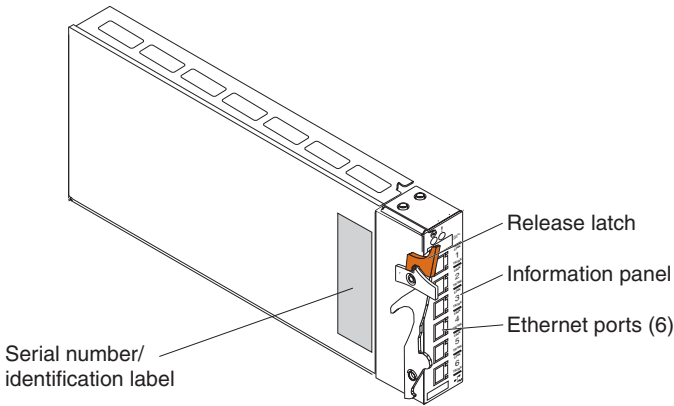
- **Note:** These notices provide important tips, guidance, or advice.
- **Important:** These notices provide information or advice that might help you avoid inconvenient or problem situations.
- **Attention:** These notices indicate possible damage to programs, devices, or data. An attention notice is placed just before the instruction or situation in which damage could occur.
- **Caution:** These statements indicate situations that can be potentially hazardous to you. A caution statement is placed just before the description of a potentially hazardous procedure step or situation.
- **Danger:** These statements indicate situations that can be potentially lethal or extremely hazardous to you. A danger statement is placed just before the description of a potentially lethal or extremely hazardous procedure step or situation.

Major components of the I/O module

Orange on the release latch on the I/O module identifies this device as a hot-swap component. You can install or remove this component while the BladeCenter unit is running.

The following illustration shows the major components of the I/O module.

Note: The illustrations in this document might differ slightly from your hardware.



For more information about the components of the information panel, see Chapter 3, “Information panel LEDs and external ports,” on page 15.

Chapter 2. Installing and removing components

See the *Installation and User's Guide* for your BladeCenter unit type for information about the I/O-module bay locations in the BladeCenter unit and specific requirements for installing I/O modules in your BladeCenter unit.

Attention: To maintain proper system cooling, each I/O-module bay must contain either an I/O module or a filler module.

For details about network interface requirements and expansion options, see the following documents:

- *Installation and User's Guide* for your BladeCenter unit type
- *Installation and User's Guide* for each blade server type

Installation guidelines

Before you begin to install the I/O module in your BladeCenter unit, read the following information:

- Read the safety information that begins on page v and the guidelines in “Handling static-sensitive devices” on page 10, and read the safety statements in the BladeCenter unit publications. This information will help you work safely.
- Observe good housekeeping in the area where you are working. Place removed covers and other parts in a safe place.
- Do not attempt to lift an object that you think is too heavy for you. If you have to lift a heavy object, observe the following precautions:
 - Make sure that you can stand safely without slipping.
 - Distribute the weight of the object equally between your feet.
 - Use a slow lifting force. Never move suddenly or twist when you lift a heavy object.
 - To avoid straining the muscles in your back, lift by standing or by pushing up with your leg muscles.
- Make sure that you have an adequate number of properly grounded electrical outlets for the BladeCenter unit, monitor, and other devices.
- Back up all important data before you make changes to disk drives.
- Have a small flat-blade screwdriver available.
- You do not have to turn off the BladeCenter unit to install or replace any of the hot-swap modules in the BladeCenter unit.
- Orange on the release latch on the I/O module identifies this device as a hot-swap component. You can install or remove this component while the

BladeCenter unit is running. See the instructions in this chapter for more information about installing or removing hot-swap or hot-plug components.

- If you plan to install additional I/O modules in the I/O-module bays of your BladeCenter unit, you might also have to install an I/O expansion card in the applicable blade server to support the I/O modules in these bays. For information about the types of compatible I/O expansion cards for the blade servers, contact your IBM authorized reseller. See the I/O expansion card documentation for details about I/O expansion card installation, configuration, and use.
- When you are finished working on the I/O module and all other BladeCenter unit components, reinstall all safety shields, guards, labels, and ground wires.
- For a list of supported options for the I/O module, see <http://www.ibm.com/servers/eserver/serverproven/compat/us/>.

Handling static-sensitive devices

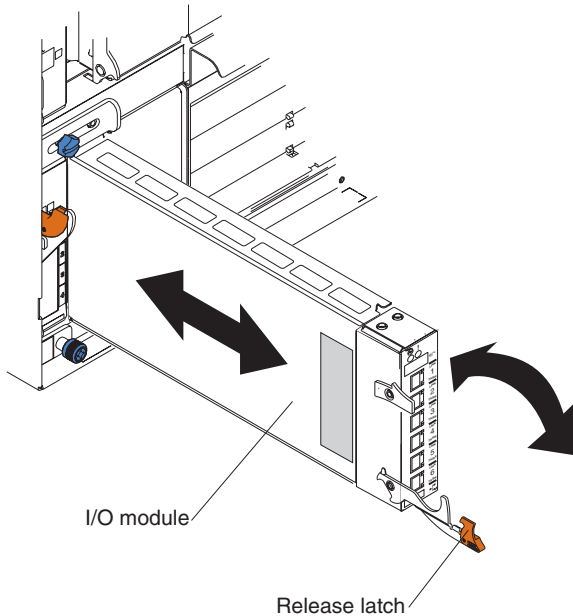
Attention: Static electricity can damage the system and other electronic devices. To avoid damage, keep static-sensitive devices in their static-protective packages until you are ready to install them.

To reduce the possibility of electrostatic discharge, observe the following precautions:

- Limit your movement. Movement can cause static electricity to build up around you.
- Handle the device carefully, holding it by its edges or its frame.
- Do not touch solder joints, pins, or exposed circuitry.
- Do not leave the device where others can handle and damage it.
- While the device is still in its static-protective package, touch it to an *unpainted* metal part of the BladeCenter unit or any *unpainted* metal surface on any other grounded rack component in the rack in which you are installing the device for at least 2 seconds. This drains static electricity from the package and from your body.
- Remove the device from its package and install it directly into the BladeCenter unit without setting down the device. If it is necessary to set down the device, put it back into its static-protective package. Do not place the device on the BladeCenter chassis or on a metal surface.
- Take additional care when handling devices during cold weather. Heating reduces indoor humidity and increases static electricity.

Installing an I/O module

The following illustration shows how to install an I/O module into a Type 8677 BladeCenter unit. The appearance of your BladeCenter unit might be different. For additional information, see the documentation for your BladeCenter unit.



To install an I/O module, complete the following steps.

Attention: If the I/O module has a cover, make sure that the cover is installed and closed before you install the I/O module in the BladeCenter unit.

1. Read the safety information that begins on page v and “Installation guidelines” on page 9.
2. If an acoustic attenuation module is installed on your BladeCenter unit, remove it. See the documentation for your BladeCenter unit for instructions.
3. Select an I/O-module bay in which to install the I/O module.

Note: For details about I/O-module bay requirements, see the documentation for your BladeCenter unit and blade servers.

4. Remove the filler module from the selected I/O-module bay. Store the filler module for future use.

5. If you have not already done so, touch the static-protective package that contains the I/O module to any *unpainted* metal surface of the BladeCenter unit or any *unpainted* metal surface on any other grounded rack component for at least 2 seconds.
6. Remove the I/O module from its static-protective package.
7. Make sure that the release latch on the I/O module is in the open position (perpendicular to the module).
8. Slide the I/O module into the I/O-module bay until it stops.

Important: The BladeCenter unit must be turned on before you can perform steps 9 and 10.

9. Push the release latch on the front of the I/O module to the closed position. After you insert and lock the I/O module, it is turned on, and a power-on self-test (POST) occurs to verify that the I/O module is operating correctly.
10. The POST results are displayed by the status LEDs. Make sure that the LEDs on the I/O module indicate that it is operating correctly. Make sure that the power LED on each I/O module is lit. See Chapter 3, “Information panel LEDs and external ports,” on page 15 for a more detailed description of the operation of these LEDs.
For additional information, see Chapter 6, “Solving problems,” on page 39.
11. If you have other I/O modules to install, do so now; otherwise, go to step 12.

Note: To make sure that the BladeCenter unit installation complies with EMC product regulations for intra-building lightning surges, you must use shielded LAN cables that are grounded at both ends.

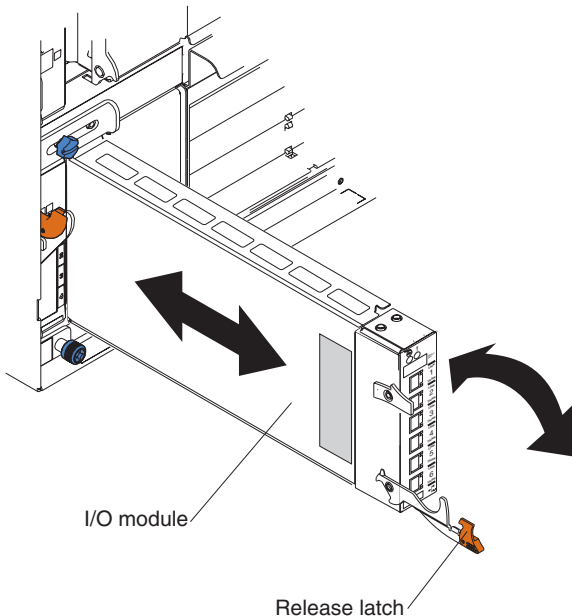
12. Attach any cables or cords that are required by the I/O module. For cable requirements, see page 6.
13. Replace the acoustic attenuation module, if you removed it in step 2 on page 11.

Removing an I/O module

Attention: To maintain proper cooling and system reliability, each I/O-module bay in the BladeCenter unit must have either an I/O module or filler module installed. If you remove a hot-swap module, you must replace it with another module or filler module within 1 minute of removal.

To remove an I/O module, complete the following steps.

1. Read the safety information that begins on page v and “Installation guidelines” on page 9.
2. If an acoustic attenuation module is installed on your BladeCenter unit, remove it. See the documentation for your BladeCenter unit for instructions.
3. Observe or record the locations of the cable connectors on the I/O module. You will need this information when you reconnect the cables. Then, disconnect any cables from the I/O module that you are removing.
4. Pull the release latch toward the bottom of the I/O module as shown in the following illustration. The module moves out of the I/O-module bay approximately 0.64 cm (0.25 inch).



5. Slide the I/O module out of the I/O-module bay and set it aside.
6. Place either another I/O module or a filler module in the I/O-module bay within 1 minute.

7. If you placed another I/O module in the I/O-module bay, reconnect any compatible cables that you disconnected in step 3 on page 13. If a cable that you disconnected is not compatible with the new I/O module, you will have to connect a new cable that is compatible with the new I/O module.
8. Replace the acoustic attenuation module, if you removed it in step 2 on page 13.

Chapter 3. Information panel LEDs and external ports

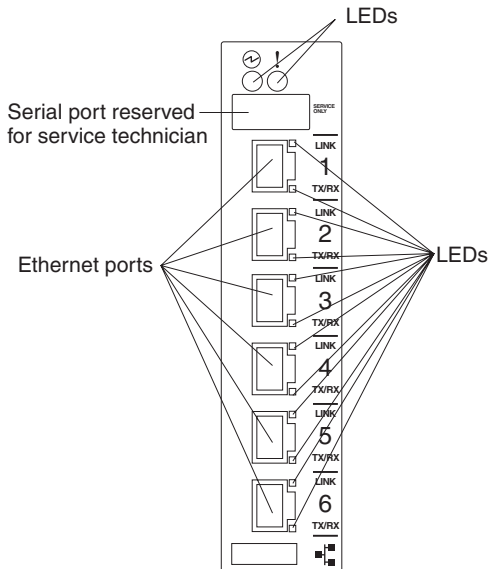
This chapter describes the information panel and LEDs on the Server Connectivity Module. This chapter also identifies the external ports on the information panel.

Information panel

As shown in the following illustrations, the information panel of the I/O module contains the following LEDs and ports:

- The LEDs that display the status of the I/O module and the network (see “LEDs” on page 16).
- The I/O module has six external 1000BASE-T Ethernet ports for 10/100/1000 Mbps connections to external Ethernet devices, such as backbones, end stations, and servers. These ports are identified as EXT1, EXT2, EXT3, EXT4, EXT5, and EXT6 in the switch configuration menus and are labeled 1 through 6 (from top to bottom) on the I/O module.
- The I/O module has a serial port that is reserved for service technicians only. This port does not support additional devices; therefore, do not connect any devices to this port.

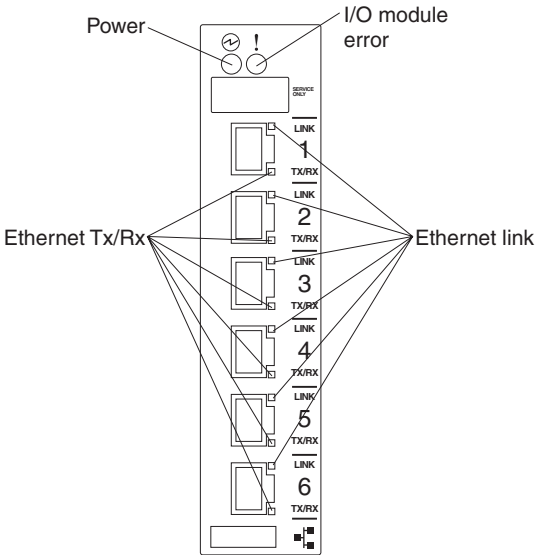
The following illustration shows the information panel for the I/O module.



LEDs

The LEDs on the information panel of the I/O module are power and I/O module error (fault). In addition, each external port on the I/O module contains an Ethernet link LED and an Ethernet Tx/Rx LED. The following illustrations show the LEDs on the I/O modules. A description of each LED follows the illustrations.

The following illustration shows the LEDs on the I/O module.



Power: This green active LED is on the left side of the information panel, above the service port. When this LED is lit, it indicates that the I/O module has passed the power-on self-test (POST) with no critical faults and is operational.

! I/O module error (fault): This amber LED is on the right side of the information panel, above the service port. When this LED is lit, it indicates that the I/O module has failed the POST or detected an operational fault.

Note: When the I/O module error LED is lit, the system-error LED on the BladeCenter unit will also be lit.

Ethernet link: This green link status LED is at the top of each external 10/100/1000 Mbps port. When this LED is lit on a port, it indicates that there is an active connection (or link) to a device using that connector.

Ethernet Tx/Rx: This green activity LED is at the bottom of each external 10/100/1000 Mbps port. When this LED flashes on a port, it indicates that data is being transmitted or received (that is, activity is occurring) between that port and another device on the network link. The flash frequency is proportional to the amount of traffic on the network link.

Chapter 4. Configuring the I/O module

The I/O module supports one remote-access mode for management through Ethernet connections. The I/O module has an internal Ethernet path to the management module.

The only available mode uses the internal path to the management module. In this mode, the remote-access link to the management console must be attached to the Ethernet connector on the management module.

Configuring through the management-module interface

Important:

1. Before you configure the I/O module, make sure that the management modules in your BladeCenter® unit are properly configured. See the applicable *BladeCenter Installation and User's Guide* publications for more information.
2. The default Internet protocol (IP) address of the I/O module is 192.168.70.127, 192.168.70.128, 192.168.70.129, or 192.168.70.130, depending on the I/O-module bay where it is installed.
3. If you change the IP address of the I/O module and restart the BladeCenter unit, the I/O module will maintain this new IP address as its default value.
4. The management module and the I/O module can communicate with each other only if they are on the same IP subnet.
5. The I/O module does not respond to remote-management commands from the six external Ethernet ports on the I/O module.
6. For transmission control protocol/Internet protocol (TCP/IP) applications to work with the I/O module, there must be a two-way route path between the management module and your workstation.

For detailed information about establishing a TCP/IP session through the management module, see the *BladeCenter Management Module User's Guide*.

7. For I/O module (switch) communication with a remote management station, such as the IBM Director server, through the management-module external Ethernet port, the I/O module internal network interface and the management-module internal and external interfaces must be on the same IP subnet.

8. You can use two types of command-line interfaces (CLIs):

- The management-module CLI

Use this CLI to communicate with the management module. For instructions and additional information, see the *BladeCenter Management Module Command-Line Interface Reference Guide*.

- The Server Connectivity Module CLI

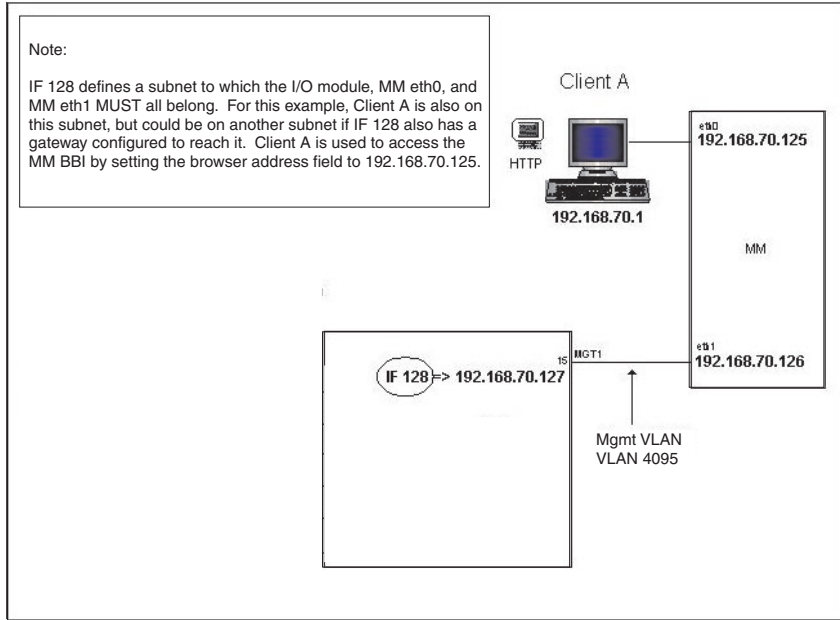
Use this CLI to communicate with the Server Connectivity Module. For instructions and additional information, see the *Server Connectivity Module for IBM BladeCenter User's Guide*.

You can access, manage, configure, and secure the I/O module through the management module, TCP/IP applications, or remote applications, as described in the *Server Connectivity Module for IBM BladeCenter User's Guide*. Also see the applicable *BladeCenter Installation and User's Guide* documents for specific details about configuring the I/O module.

In addition to the documents in this library, be sure to review the following documents for information to help you prepare for system installation and configuration:

- The *BladeCenter Management Module User's Guide* for your BladeCenter unit type
- The *BladeCenter Management Module Installation Guide* for your BladeCenter unit type

In the following example illustration, Client A manages the I/O module through the default management module configuration interface. The management-module is always enabled and always a member of VLAN 4095 and interface 128. VLAN 4095 and interface 128 can never be disabled.



You can always manage the I/O module over this interface, provided that the IP addresses of the client, the management module, and the I/O module are on the same subnet, as shown in the following table.

Network entity	IP address
Client A	192.168.70.1
Management module	192.168.70.125
I/O module	192.168.70.127

Establishing a TCP/IP session for the I/O module through the management module

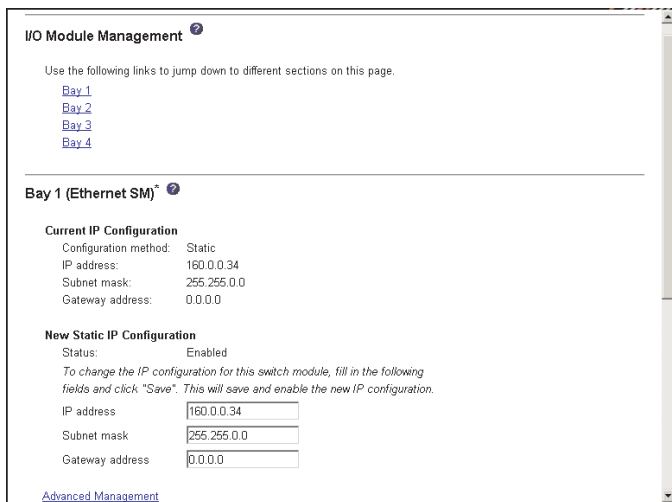
Complete the following steps to establish a TCP/IP session for the switch through the management module.

1. Access and log on to the management module as described in the *BladeCenter Management Module User's Guide*. If necessary, obtain the IP address of the management module from your system administrator. The login window opens.

If you do not have an assigned user identifier (ID) and initial password, type the default user ID (USERID) in the **User ID** field and the default password (PASSWORD) in the **Password** field (where the sixth character is the number zero, not the letter O) and click **OK**. The main page in the management-module interface opens.

Note: The **User ID** and **Password** fields are case-sensitive. Enter your information in uppercase letters only (for example, ABCDE). To maintain system security, change the password after you log on for the first time.

2. Select **Management** on the **I/O Module Tasks** menu on the left side of the BladeCenter Management Module window.
3. From the **I/O Module Management** portion of the window, click the bay number that corresponds to the location of the I/O module that you installed. The applicable bay number (in this example, bay 1) appears in the bottom portion of the window, followed by other related switch-module information, including the IP address. The switch-module information is divided under two headings: **Current IP Configuration** and **New Static IP Configuration**.



4. To change the IP address of the I/O module, use the Tab key to reach the **IP address** data field under the **New Static IP Configuration** heading; then, type the new IP address and click **Save**.
5. Click **Advanced Management** under the applicable bay information (in this example, bay 1) in the BladeCenter Management Module window. You can now start a browser-based interface session, or a Telnet session.

The browser-based interface and the Telnet program are different ways to access the same internal I/O module software and configure it. Thus, all the settings that you encounter in browser-based management are the same as those in the Telnet program.

- If your system application requires that you use the browser-based interface program, see “Configuring through the browser-based interface” on page 27 for additional information.
- If your system application requires that you use the Telnet program, see “Configuring through the Telnet interface” on page 29 for additional information.
- For information about running a Secure Shell (SSH) session, see the *Server Connectivity Module for IBM BladeCenter User’s Guide*.

Enabling the external ports

To access the I/O module from an external environment, you must enable certain features, such as the external ports, through the management module. After you enable these features, you can establish a TCP/IP session for the I/O module through the external I/O module connection as described in the *Server Connectivity Module for IBM BladeCenter User's Guide*.

To configure the external Ethernet interface and to enable the external ports, complete the following steps.

1. Access and log on to the management module as described in the *BladeCenter Management Module User's Guide*. If necessary, obtain the IP address of the management module from your system administrator. The login window opens.

Enter your user ID and password.

If you do not have an assigned user ID and initial password, type the default user ID (USERID) in the **User ID** field and the default password (PASSWORD) in the **Password** field (where the sixth character is the number zero, not the letter O) and click **OK**. The main page in the management-module interface opens.

Note: The **User ID** and **Password** fields are case-sensitive. Enter your information in uppercase letters only (for example, ABCDE). To maintain system security, change the password after you log on for the first time.

2. Select **Admin/Power/Restart** from the **I/O Module Tasks** menu on the left side of the BladeCenter Management Module window. The Admin/Power/Restart window opens.

For additional information, see the *BladeCenter Management Module User's Guide*.

3. Make sure that the external ports feature is enabled.

If this feature is not already enabled, change the value to **Enabled**. Then, click **Save**.

Note: The “external management over all ports” feature is not available for the I/O module. For additional information about the requirements for using this feature, see the applicable *BladeCenter Installation and User's Guide* documents.

Configuring through the advanced management-module interface

This section describes how to use the advanced management-module interface to configure the following items:

- Enable/disable external ports
- Restore factory defaults
- Network address translation (NAT) table rules

To configure these items, complete the following steps.

1. Access and log on to the management module as described in the *BladeCenter Management Module User's Guide*. If necessary, obtain the IP address of the management module from your system administrator. The login window opens.

Enter your user ID and password.

If you do not have an assigned user ID and initial password, type the default user ID (USERID) in the **User ID** field and the default password (PASSWORD) in the **Password** field (where the sixth character is the number zero, not the letter O) and click **OK**. The main page in the management-module interface opens.

Note: The **User ID** and **Password** fields are case-sensitive. Enter your information in uppercase letters only (for example, ABCDE). To maintain system security, change the password after you log on for the first time.

2. Select **Configuration** from the **I/O Module Tasks** menu on the left side of the BladeCenter Management Module window. The I/O Module Tasks window opens.

For additional information, see the *BladeCenter Management Module User's Guide*.

3. Each I/O-module bay has its own section. Go to the section for the applicable I/O module; then, click **Network Protocol Configuration**.

For the selected I/O module, a NAT table similar to the following example will be displayed. This example contains the current Network Protocol settings for an I/O module in port 1.

Network Protocol Settings

To configure a protocol, click a link in the "Protocol Name" column.

Protocol Name	Protocol ID	External Port	Internal Port	Enabled
1. HTTP	TCP	1080	80	Yes
2. TELNET	TCP	1023	23	Yes
3. HTTPS	TCP	1443	443	Yes
4. SSH	TCP	1022	22	Yes
5. SNMP	UDP	1161	161	Yes
6. ~not used~				
7. ~not used~				
8. ~not used~				
9. ~not used~				
10. ~not used~				

Activate

Reset to Defaults

You can activate or modify the Network Protocol settings on this page of the management-module interface by performing one of the following actions:

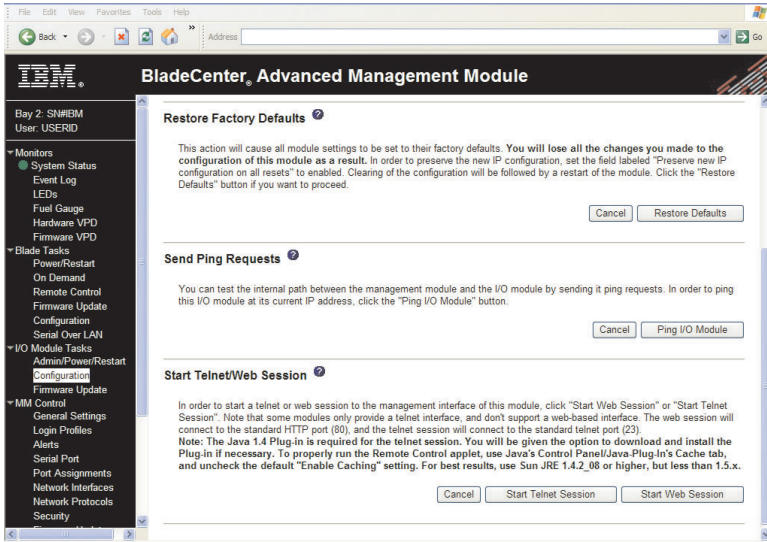
- To activate all of the values in the NAT table, click the **Activate** button.

Note: It is not necessary to individually activate each new value.

- To immediately reset all of the values in the NAT table to their defaults, click the **Reset to Defaults** button.

The first column of the NAT table contains links that you can use to configure the protocol values. The maximum number of protocols is ten. Five protocols are predefined; for example, the first protocol will always be hypertext transfer protocol (HTTP), and the second protocol will always be Telnet.

In addition, you can launch a Telnet or Web-based session to the I/O module and configure values through the selected session. To do this, click **Start Telnet Session** or click **Start Web Session** in the following BladeCenter Management Module window.



Configuring through the browser-based interface

This section describes how to use the browser-based interface to access and configure the internal I/O module software.

This section also describes some of the browser-based I/O module management features. For more detailed information about configuring the I/O module, see the *Server Connectivity Module for IBM BladeCenter User's Guide*.

The I/O module offers an embedded HTML, browser-based interface that you can use to manage the I/O module through a standard browser, such as Opera, Netscape Navigator/Communicator, or Microsoft® Internet Explorer. The Web browser acts as an access tool and can communicate directly with the I/O module, using HTTP. HTTP is enabled by default. Your browser window might vary from the window illustrations in this document.

Note: This browser-based interface does not accept Chinese language input (or other double-byte character-set languages).

Because the browser-based interface is a built-in component of the I/O module (switch) software, you do not have to install a separate interface program. The browser-based interface contains these features:

- Two levels of password protection.
- The same configuration and monitoring functions as in the management-module CLI.

The browser-based interface requires a computer or workstation with network access to the I/O module and a frame-capable Web-browser program, such as Internet Explorer (version 6.0 or later) or Netscape Navigator (version 4.7 or later). Before you can access and start the browser-based interface, you must have:

- Installed the I/O module in the BladeCenter unit (see “Installing an I/O module” on page 11)
- Verified that the latest I/O module software is installed on the I/O module (see Chapter 5, “Updating the software,” on page 33)
- Enabled the frames and the JavaScript™ program in your Web browser
- Enabled access to the browser-based interface

To enable access to the browser-based interface, use the following command from the Server Connectivity Module CLI. You can also use `e` instead of `enable` in the following command syntax:

```
>> Main# /cfg/sys/http <enable>
```

For additional information about using the Server Connectivity Module CLI, see the *Server Connectivity Module for IBM BladeCenter User's Guide*.

To start the browser-based interface, complete the following steps.

1. Type the following information in the address field of your browser, in the format `http://xxx.xxx.xxx:yyzzz` and press Enter.

(Where `xxx.xxx.xxx` is the IP address for the management module, `yy` is the I/O-module bay number in the BladeCenter unit, and `zzz` is the port number on the I/O module).

The login window opens.

2. If you do not have an assigned user ID and initial password, type the default user ID (USERID) in the **User Name** field and the default password (PASSWORD) in the **Password** field (where the sixth character is the number zero, not the letter O). Click **OK**.

Notes:

- a. The passwords used to access the I/O module are case-sensitive.
- b. To increase system security, change the password after you log on for the first time.

A browser-based interface window opens. The left-side pane contains the main menu. The top panel shows a real-time information-pane display of the I/O module. The browser-based interface is described in detail in the *Server Connectivity Module for IBM BladeCenter User's Guide*.

Configuring through the Telnet interface

The I/O module supports a management interface that you can use to set up and control the I/O module over the network by using the Telnet protocol. You can use this facility to perform many basic network management functions. The following sections describe how to use the Telnet interface to access the I/O module, change its settings, and monitor its operation.

Connecting to the I/O module

You can use the Telnet program (in VT-100 compatible terminal mode) to access and control the I/O module, if you have an existing network connection and if you know all of the following values:

- The IP address for the management module
- The I/O-module bay number in the BladeCenter unit
- The port number on the I/O module

If you have to obtain the IP address for the management module or establish a network connection, contact your system or network administrator. Be sure to use the correct IP address in the required command, as specified in "Accessing the main menu" on page 30.

Telnet usage conventions

The Telnet program is not menu-driven. You must type all of the Telnet commands that you want to be processed. After you have accessed the Telnet interface, you can type **help** at the command prompt if you need help with the Telnet commands.

Important: The **APPLY** command makes changes to the I/O module configuration for the current session only. If you want your changes to be permanent, select **Save Changes** from the main menu. Selecting **Save Changes** enters the current I/O module configuration, including all changes, into NVRAM, and then restarts the I/O module.

Accessing the main menu

To connect to the I/O module through the Telnet interface, complete the following steps.

1. From a DOS prompt command line, type `telnet x yyzzz` and press Enter (where *x* is the IP address for the management module, *yy* is the I/O-module bay number in the BladeCenter unit, and *zzz* is the port number on the I/O module).
2. If you do not have an assigned user ID and initial password, type the default user ID (USERID) in the **User Name** field and the default password (PASSWORD) in the **Password** field (where the sixth character is the number zero, not the letter O). Press Enter.
3. Press Enter. The main menu is displayed.

For additional information about the Telnet program main menu, see the *Server Connectivity Module for IBM BladeCenter User's Guide*.

Note: The first user automatically gets root privileges. Create at least one root-level user for the I/O module when you set up your user accounts. See the *Server Connectivity Module for IBM BladeCenter User's Guide* for details.

Logging onto the I/O module

To log in after you have created a registered user, complete the following steps from the login window (see "First-time connection to the I/O module" on page 31 for additional information).

1. Type your user ID and press Enter.
2. Type your password and press Enter. The main menu window opens according to your access level or privilege.

After you log on to the I/O module, you can perform the tasks that are described in the *Server Connectivity Module for IBM BladeCenter User's Guide*.

First-time connection to the I/O module

The I/O module supports user-based security that enables you to prevent unauthorized users from accessing the I/O module or changing its settings. This section describes how to log on to the I/O module.

The first time that you turn on the I/O module, you must set the date and time, through either the browser-based interface or the Telnet interface. Because the I/O module does not contain a battery-backed real-time clock, you also must reset the date and time whenever any of the following conditions exists:

- The I/O module is turned off and then back on
- The I/O module is restarted
- The I/O module software is updated

To set or reset the system date through the Telnet interface, use the following command from the Server Connectivity Module CLI:

```
/cfg/sys/date
```

To set or reset the system time through the Telnet interface, use the following command from the Server Connectivity Module CLI:

```
/cfg/sys/time
```

Chapter 5. Updating the software

This chapter provides information for the following tasks:

- Obtaining the management-module software
- Obtaining the I/O module software and performing the following tasks to update the I/O module:
 - Determining the level of the software installed
 - Obtaining the latest level of software for the I/O module
 - Updating the software on the I/O module
 - Resetting the I/O module to activate the software update

Management-module software level

Make sure that you are using the latest version of management-module firmware for your BladeCenter unit type. See the *Management Module User's Guide* for your BladeCenter unit type for additional information.

Updating the I/O module software

The following sections provide information for obtaining and updating the I/O module software.

Determining the level of the I/O module software

After you install the I/O module in your BladeCenter unit, make sure that the latest I/O module (switch) software is installed on the I/O module. To determine the level of the I/O module software that is installed on the I/O module, complete the following steps.

1. Access and log on to the management module as described in the *Management Module User's Guide* for your BladeCenter unit type. If necessary, obtain the IP address of the management module from your system administrator. The login window opens.
If you do not have an assigned user identifier (ID) and initial password, type the default user ID (USERID) in the **User ID** field and the default password (PASSWORD) in the **Password** field (where the sixth character is the number zero, not the letter O) and click **OK**. The main page in the management module opens.
2. Select **Firmware VPD** from the **Monitors** menu on the left side of the BladeCenter Management Module window. The Firmware VPD window opens.

3. On the Firmware VPD window, locate the **I/O Module Firmware VPD** heading between the **Blade Server Firmware VPD** and **Management Module Firmware VPD** headings. Page down to the number of the I/O-module bay that contains the I/O module that you just installed; then, note the corresponding level of the software for the I/O module.

Obtaining the latest level of software for the I/O module

To determine the latest level of the I/O module software that is available from IBM, complete the following steps.

1. Go to <http://www.ibm.com/servers/eserver/support/bladecenter/index.html>; then, click **Support & downloads**.
2. Type the I/O module model number. A window opens, displaying the latest level of available software.
3. Compare the level of software that you noted in the **I/O Module Firmware VPD** section of the Firmware VPD window to the latest level of available software. If the two software levels do not match, download the latest level from the World Wide Web.

The I/O module contains two software operating-system images. Therefore, you can always return to a previous image if the current download process fails.

Upgrading the I/O module software

The I/O module software is upgraded through a TFTP server application. Typically, this software runs as an application under your operating system. Make sure that this software is installed on your server; then, download the software images from an IBM support Web site, such as <http://www.ibm.com/servers/eserver/support/bladecenter/index.html> or <http://www.ibm.com/servers/eserver/support/xseries/index.html>, into a directory on your TFTP server. Enable the TFTP server and set its default directory to the one where the image is located.

For additional information, see the *Server Connectivity Module for IBM BladeCenter User's Guide*.

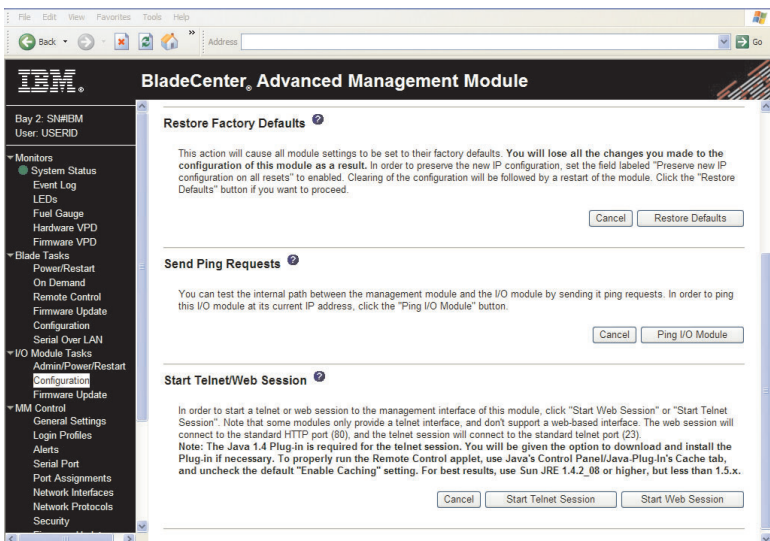
Use the management-module interface to start a Telnet session, as described in the following steps. The requirements for running a Telnet session are described in Chapter 4, "Configuring the I/O module," on page 19.

1. Access and log on to the management module as described in the *Management Module User's Guide* for your BladeCenter unit type. The login window opens.

If you do not have an assigned user ID and initial password, type the default user ID (USERID) in the **User ID** field and the default password (PASSWORD) in the **Password** field (where the sixth character is the number zero, not the letter O) and click **OK**. Type n when asked if you want to run setup. The main page in the management-module interface opens.

Note: The **User ID** and **Password** fields are case-sensitive. Enter your information in uppercase letters only (for example, ABCDE). To maintain system security, change the password after you log on for the first time.

2. Select **Management** from the **I/O Module Tasks** menu on the left side of the BladeCenter Management Module window. The I/O Module Tasks window opens.
3. Click **Advanced Management** under the applicable bay information in the BladeCenter Management Module window.
4. Click **Start Telnet Session** in the following window. If you do not have an assigned user ID and initial password, type the default user ID (USERID) in the **User ID** field and the default password (PASSWORD) in the **Password** field (where the sixth character is the number zero, not the letter O) and press Enter.



To upgrade the I/O module software, complete the following steps.

1. Using the management-module CLI, type the following command and press Enter:
`/boot/gtimg imageX TADDR zzzzz` (where *imageX* is the image to be installed, *TADDR* is the target address of the TFTP server, and *zzzzz* is the operating-system image file name, for example, *SCM-1.0.0.20-os.img*).
2. Reset and restart the I/O module as described in “Resetting and restarting the I/O module.”
3. Using the management-module CLI, type the following command and press Enter:
`/boot/gtimg boot TADDR yyyyy` (where *TADDR* is the target address of the TFTP server, and *yyyyy* is the boot image file name, for example, *SCM-1.0.0.24-boot.img*).
4. Using the management-module CLI, type the following command and press Enter:
`/boot/image imageX` (where *imageX* is the image to be copied from the image that was just loaded).
5. Reset and restart the I/O module as described in “Resetting and restarting the I/O module.”

Note: In some cases, there might only be one image to install. In other cases, two images might be available. If two images are available, you must select the one that you want to use for the I/O-module upgrade procedure.

Resetting and restarting the I/O module

To activate the new image or images, you must reset the I/O module through the management-module interface. To reset the I/O module, complete the following steps.

1. Select **Management** from the **I/O Module Tasks** menu on the left side of the BladeCenter Management Module window. The I/O Module Tasks window opens.
2. Select the I/O module bay on which the software update was just installed.
3. From the I/O Module Tasks window, select **Power/Restart**.
4. Click **POWER OFF SWITCH MODULE**.
5. Select the I/O module bay on which the software update was just installed.
6. Click **POWER ON SWITCH MODULE**.
7. Wait 70 seconds for POST to be completed.

8. Make sure that the latest I/O module software was correctly installed on the I/O module. Select **Firmware VPD** on the **Monitors** menu on the left side of the BladeCenter Management Module window. The Firmware VPD window opens.
9. On the Firmware VPD window, locate the **I/O Module Firmware VPD** heading between the **Blade Server Firmware VPD** and **Management Module Firmware VPD** headings. Page down to the number of the I/O-module bay that contains the I/O module that you just installed; then, note the corresponding level of the software for the I/O module.
10. Make sure that the latest I/O module software was correctly installed on the I/O module.

Chapter 6. Solving problems

This section provides basic troubleshooting information to help you solve some problems that might occur while you are setting up the I/O module.

If you cannot locate and correct the problem using the information in this section, see Appendix A, “Getting help and technical assistance,” on page 43.

Running POST

To ensure that it is fully operational, the I/O module processes a series of tests during power-up or a restart (power-on self-test, or POST). These tests take approximately 1 minute to complete. The management module reads the test results and displays them for you. During normal operation, these tests are completed without error, and the green OK LED is lit. However, if POST fails, the amber I/O module error (fault) LED and the system-error LED on the BladeCenter unit will be lit. An event is stored in the event log in the System Status panel of the management module. The specific failure is displayed on the System Status I/O Module pane of the management-module interface.

Notes:

- For the location and description of the I/O module LEDs, see Chapter 3, “Information panel LEDs and external ports,” on page 15.
- See the *BladeCenter Management Module User’s Guide* for additional information about system status, event logs, and system errors.

POST errors

There are two types of errors: noncritical and critical. A noncritical error applies to one port, and the I/O module is operational. You can continue to operate the I/O module; however, you must replace it as soon as possible. When critical errors occur, the I/O module does not operate. If a critical error occurs, complete the following steps:

1. Open the Management Module Switch Information window.
2. Turn off the I/O module; then, turn it back on.
3. After POST is completed, the management-module interface displays the results. Refresh the window to view the POST results. If the error remains, the I/O module is defective. Replace the I/O module.

The following table describes the basic critical and noncritical failures. This abbreviated list is representative; it is not intended as an exhaustive list. An error code is associated with each failure. Error codes appear on the Management Module Switch Information window. Be sure to note the

applicable error code and corresponding failure. You might have to provide this information when you call IBM. For more details, see Appendix A, “Getting help and technical assistance,” on page 43.

Diagnostic indicator (in hex)	Failing functional area	Failure criticality
00 - 7F	Base internal functions	Critical
80 - 9F	Internal interface failures	Noncritical
A0 - AF	External interface errors	Noncritical
B0 - FE	Reserved	Noncritical
FF	I/O module “good” indicator	Operation

Chapter 7. Parts listing

The following table shows the list of the parts that come with the I/O module option. This parts listing supports the copper models of the Server Connectivity Module for IBM BladeCenter.

Note: Field replaceable units (FRUs) should be serviced only by qualified field service technicians. Customer replaceable units (CRUs) can be replaced by the customer.

Part	CRU number	CRU/FRU
Server Connectivity Module	39Y9327	CRU

Appendix A. Getting help and technical assistance

If you need help, service, or technical assistance or just want more information about IBM products, you will find a wide variety of sources available from IBM to assist you. This appendix contains information about where to go for additional information about IBM and IBM products, what to do if you experience a problem with your BladeCenter or optional device, and whom to call for service, if it is necessary.

Before you call

Before you call, make sure that you have taken these steps to try to solve the problem yourself:

- Check all cables to make sure that they are connected.
- Check the power switches to make sure that the system and any optional devices are turned on.
- Use the troubleshooting information in your system documentation, and use the diagnostic tools that come with your system. Information about diagnostic tools is in the *Hardware Maintenance Manual and Troubleshooting Guide* or *Problem Determination and Service Guide* on the IBM Documentation CD that comes with your system.
- Go to <http://www.ibm.com/servers/eserver/support/bladecenter/index.html> to check for information to help you solve the problem.

You can solve many problems without outside assistance by following the troubleshooting procedures that IBM provides in the online help or in the documentation that is provided with your IBM product. The documentation that comes with BladeCenter systems also describes the diagnostic tests that you can perform. Most BladeCenter systems, operating systems, and programs come with documentation that contains troubleshooting procedures and explanations of error messages and error codes. If you suspect a software problem, see the documentation for the software.

Using the documentation

Information about your IBM BladeCenter system and preinstalled software, if any, or optional device is available in the documentation that comes with the product. That documentation can include printed documents, online documents, readme files, and help files. See the troubleshooting information in your system documentation for instructions for using the diagnostic programs. The troubleshooting information or the diagnostic programs might tell you that you need additional or updated device drivers or other software. IBM maintains pages on the World Wide Web where you can get the latest technical

information and download device drivers and updates. To access these pages, go to <http://www.ibm.com/servers/eserver/support/bladecenter/index.html> and follow the instructions. Also, some documents are available through the IBM Publications Center at <http://www.ibm.com/shop/publications/order/>.

Getting help and information from the World Wide Web

On the World Wide Web, the IBM Web site has up-to-date information about IBM BladeCenter systems, optional devices, services, and support at <http://www.ibm.com/servers/eserver/support/bladecenter/index.html>.

Software service and support

Through IBM Support Line, you can get telephone assistance, for a fee, with usage, configuration, and software problems with BladeCenter products. For information about which products are supported by Support Line in your country or region, see <http://www.ibm.com/services/sl/products/>.

For more information about Support Line and other IBM services, see <http://www.ibm.com/services/>, or see <http://www.ibm.com/planetwide/> for support telephone numbers. In the U.S. and Canada, call 1-800-IBM-SERV (1-800-426-7378).

Hardware service and support

You can receive hardware service through IBM Services or through your IBM reseller, if your reseller is authorized by IBM to provide warranty service. See <http://www.ibm.com/planetwide/> for support telephone numbers, or in the U.S. and Canada, call 1-800-IBM-SERV (1-800-426-7378).

In the U.S. and Canada, hardware service and support is available 24 hours a day, 7 days a week. In the U.K., these services are available Monday through Friday, from 9 a.m. to 6 p.m.

IBM Taiwan product service

台灣IBM 產品服務聯絡方式：
台灣國際商業機器股份有限公司
台北市松仁路7號3樓
電話：0800-016-888

IBM Taiwan product service contact information:

IBM Taiwan Corporation
3F, No 7, Song Ren Rd.
Taipei, Taiwan
Telephone: 0800-016-888

Appendix B. Warranty information

IBM provides hardware warranty service for this product equivalent to that described in the IBM Statement of Limited Warranty ("SOLW"), a copy of which is included, notwithstanding the section entitled, "What this Warranty Does not Cover" of the SOLW. All references to "Machine" in the SOLW apply to this product (except for its firmware or accompanying software) for purposes of the warranty. References to "IBM's Official Published Specifications" mean the specifications for the product designated by IBM. Any firmware or software included in or which accompanies this product is subject to the terms and conditions of the manufacturer's end user license agreement.

IBM Statement of Limited Warranty Z125-4753-08 04/2004

Part 1 - General Terms

Part 1 - General Terms

*This Statement of Limited Warranty includes Part 1 - General Terms, Part 2 - Country-unique Terms, and Part 3 - Warranty Information. The terms of Part 2 replace or modify those of Part 1. The warranties provided by IBM in this Statement of Limited Warranty apply only to Machines you purchase for your use, and not for resale. The term "Machine" means an IBM machine, its features, conversions, upgrades, elements, or accessories, or any combination of them. The term "Machine" does not include any software programs, whether pre-loaded with the Machine, installed subsequently or otherwise. **Nothing in this Statement of Limited Warranty affects any statutory rights of consumers that cannot be waived or limited by contract.***

What this Warranty Covers

IBM warrants that each Machine 1) is free from defects in materials and workmanship and 2) conforms to IBM's Official Published Specifications ("Specifications") which are available on request. The warranty period for the Machine starts on the original Date of Installation and is specified in Part 3 - Warranty Information. The date on your invoice or sales receipt is the Date of Installation unless IBM or your reseller informs you otherwise. Many features, conversions, or upgrades involve the removal of parts and their return to IBM. A part that replaces a removed part will assume the warranty service status of the removed part. Unless IBM specifies otherwise, these warranties apply only in the country or region in which you purchased the Machine.

THESE WARRANTIES ARE YOUR EXCLUSIVE WARRANTIES AND REPLACE ALL OTHER WARRANTIES OR CONDITIONS, EXPRESS OR

IMPLIED, INCLUDING, BUT NOT LIMITED TO, THE IMPLIED WARRANTIES OR CONDITIONS OF MERCHANTABILITY AND FITNESS FOR A PARTICULAR PURPOSE. SOME STATES OR JURISDICTIONS DO NOT ALLOW THE EXCLUSION OF EXPRESS OR IMPLIED WARRANTIES, SO THE ABOVE EXCLUSION MAY NOT APPLY TO YOU. IN THAT EVENT, SUCH WARRANTIES ARE LIMITED IN DURATION TO THE WARRANTY PERIOD. NO WARRANTIES APPLY AFTER THAT PERIOD. SOME STATES OR JURISDICTIONS DO NOT ALLOW LIMITATIONS ON HOW LONG AN IMPLIED WARRANTY LASTS, SO THE ABOVE LIMITATION MAY NOT APPLY TO YOU.

What this Warranty Does not Cover

This warranty does not cover the following:

- any software programs, whether pre-loaded or shipped with the Machine, or installed subsequently;
- failure resulting from misuse (including but not limited to use of any Machine capacity or capability, other than that authorized by IBM in writing), accident, modification, unsuitable physical or operating environment, or improper maintenance by you;
- failure caused by a product for which IBM is not responsible; and
- any non-IBM products, including those that IBM may procure and provide with or integrate into an IBM Machine at your request.

The warranty is voided by removal or alteration of identification labels on the Machine or its parts.

IBM does not warrant uninterrupted or error-free operation of a Machine.

Any technical or other support provided for a Machine under warranty, such as assistance with “how-to” questions and those regarding Machine set-up and installation, is provided **WITHOUT WARRANTIES OF ANY KIND**.

How to Obtain Warranty Service

If the Machine does not function as warranted during the warranty period, contact IBM or your reseller to obtain warranty service. If you do not register the Machine with IBM, you may be required to present proof of purchase as evidence of your entitlement to warranty service.

What IBM Will Do to Correct Problems

When you contact IBM for service, you must follow the problem determination and resolution procedures that IBM specifies. An initial diagnosis of your problem can be made either by a technician over the telephone or electronically by access to an IBM website.

The type of warranty service applicable to your Machine is specified in Part 3 - Warranty Information.

You are responsible for downloading and installing designated Machine Code (microcode, basic input/output system code (called "BIOS"), utility programs, device drivers, and diagnostics delivered with an IBM Machine) and other software updates from an IBM Internet Web site or from other electronic media, and following the instructions that IBM provides.

If your problem can be resolved with a Customer Replaceable Unit ("CRU") (e.g., keyboard, mouse, speaker, memory, hard disk drive), IBM will ship the CRU to you for you to install.

If the Machine does not function as warranted during the warranty period and your problem cannot be resolved over the telephone or electronically, through your application of Machine Code or software updates, or with a CRU, IBM or your reseller, if approved by IBM to provide warranty service, will either, at its discretion, 1) repair it to make it function as warranted, or 2) replace it with one that is at least functionally equivalent. If IBM is unable to do either, you may return the Machine to your place of purchase and your money will be refunded.

IBM or your reseller will also manage and install selected engineering changes that apply to the Machine.

Exchange of a Machine or Part

When the warranty service involves the exchange of a Machine or part, the item IBM or your reseller replaces becomes its property and the replacement becomes yours. You represent that all removed items are genuine and unaltered. The replacement may not be new, but will be in good working order and at least functionally equivalent to the item replaced. The replacement assumes the warranty service status of the replaced item.

Your Additional Responsibilities

Before IBM or your reseller exchanges a Machine or part, you agree to remove all features, parts, options, alterations, and attachments not under warranty service.

You also agree to:

1. ensure that the Machine is free of any legal obligations or restrictions that prevent its exchange;
2. obtain authorization from the owner to have IBM or your reseller service a Machine that you do not own; and
3. where applicable, before service is provided:
 - a. follow the service request procedures that IBM or your reseller provides;
 - b. backup or secure all programs, data, and funds contained in the Machine;
 - c. provide IBM or your reseller with sufficient, free, and safe access to your facilities to permit IBM to fulfill its obligations; and
 - d. inform IBM or your reseller of changes in the Machine's location.
4. (a) ensure all information about identified or identifiable individuals (Personal Data) is deleted from the Machine (to the extent technically possible), (b) allow IBM, your reseller or an IBM supplier to process on your behalf any remaining Personal Data as IBM or your reseller considers necessary to fulfill its obligations under this Statement of Limited Warranty (which may include shipping the Machine for such processing to other IBM service locations around the world), and (c) ensure that such processing complies with any laws applicable to such Personal Data.

Limitation of Liability

IBM is responsible for loss of, or damage to, your Machine only while it is 1) in IBM's possession or 2) in transit in those cases where IBM is responsible for the transportation charges.

Neither IBM nor your reseller are responsible for any of your confidential, proprietary or personal information contained in a Machine which you return to IBM for any reason. You should remove all such information from the Machine prior to its return.

Circumstances may arise where, because of a default on IBM's part or other liability, you are entitled to recover damages from IBM. In each such instance, regardless of the basis on which you are entitled to claim damages from IBM (including fundamental breach, negligence, misrepresentation, or other contract or tort claim), except for any liability that cannot be waived or limited by applicable laws, IBM is liable for no more than

1. damages for bodily injury (including death) and damage to real property and tangible personal property; and
2. the amount of any other actual direct damages, up to the charges (if recurring, 12 months' charges apply) for the Machine that is subject of the claim. For purposes of this item, the term "Machine" includes Machine Code and Licensed Internal Code ("LIC").

This limit also applies to IBM's suppliers and your reseller. It is the maximum for which IBM, its suppliers, and your reseller are collectively responsible.

UNDER NO CIRCUMSTANCES IS IBM, ITS SUPPLIERS OR RESELLERS LIABLE FOR ANY OF THE FOLLOWING EVEN IF INFORMED OF THEIR POSSIBILITY: 1) THIRD PARTY CLAIMS AGAINST YOU FOR DAMAGES (OTHER THAN THOSE UNDER THE FIRST ITEM LISTED ABOVE); 2) LOSS OF, OR DAMAGE TO, DATA; 3) SPECIAL, INCIDENTAL, OR INDIRECT DAMAGES OR FOR ANY ECONOMIC CONSEQUENTIAL DAMAGES; OR 4) LOST PROFITS, BUSINESS REVENUE, GOODWILL OR ANTICIPATED SAVINGS. SOME STATES OR JURISDICTIONS DO NOT ALLOW THE EXCLUSION OR LIMITATION OF INCIDENTAL OR CONSEQUENTIAL DAMAGES, SO THE ABOVE LIMITATION OR EXCLUSION MAY NOT APPLY TO YOU. SOME STATES OR JURISDICTIONS DO NOT ALLOW LIMITATIONS ON HOW LONG AN IMPLIED WARRANTY LASTS, SO THE ABOVE LIMITATION MAY NOT APPLY TO YOU.

Governing Law

Both you and IBM consent to the application of the laws of the country in which you acquired the Machine to govern, interpret, and enforce all of your and IBM's rights, duties, and obligations arising from, or relating in any manner to, the subject matter of this Statement of Limited Warranty, without regard to conflict of law principles.

THESE WARRANTIES GIVE YOU SPECIFIC LEGAL RIGHTS AND YOU MAY ALSO HAVE OTHER RIGHTS WHICH VARY FROM STATE TO STATE OR JURISDICTION TO JURISDICTION.

Jurisdiction

All of our rights, duties, and obligations are subject to the courts of the country in which you acquired the Machine.

Part 2 - Country-unique Terms

AMERICAS

ARGENTINA

Jurisdiction: *The following is added after the first sentence:*

Any litigation arising from this Statement of Limited Warranty will be settled exclusively by the Ordinary Commercial Court of the city of Buenos Aires.

BOLIVIA

Jurisdiction: *The following is added after the first sentence:*

Any litigation arising from this Statement of Limited Warranty will be settled exclusively by the courts of the city of La Paz.

BRAZIL

Jurisdiction: *The following is added after the first sentence:*

Any litigation arising from this Statement of Limited Warranty will be settled exclusively by the court of Rio de Janeiro, RJ.

CHILE

Jurisdiction: *The following is added after the first sentence:*

Any litigation arising from this Statement of Limited Warranty will be settled exclusively by the Civil Courts of Justice of Santiago.

COLOMBIA

Jurisdiction: *The following is added after the first sentence:*

Any litigation arising from this Statement of Limited Warranty will be settled exclusively by the Judges of the Republic of Colombia.

EQUADOR

Jurisdiction: *The following is added after the first sentence:*

Any litigation arising from this Statement of Limited Warranty will be settled exclusively by the Judges of Quito.

MEXICO

Jurisdiction: *The following is added after the first sentence:*

Any litigation arising from this Statement of Limited Warranty will be settled exclusively by the Federal Courts of Mexico City, Federal District.

PARAGUAY

Jurisdiction: *The following is added after the first sentence:*

Any litigation arising from this Statement of Limited Warranty will be settled exclusively by the courts of the city of Asuncion.

PERU

Limitation of Liability: *The following is added at the end of this section:*

In accordance with Article 1328 of the Peruvian Civil Code the limitations and exclusions specified in this section will not apply to damages caused by IBM's willful misconduct ("dolo") or gross negligence ("culpa inexcusable").

URUGUAY

Jurisdiction: *The following is added after the first sentence:*

Any litigation arising from this Statement of Limited Warranty will be settled exclusively by the City of Montevideo Court's Jurisdiction.

VENEZUELA

Jurisdiction: *The following is added after the first sentence:*

Any litigation arising from this Statement of Limited Warranty will be settled exclusively by the Courts of the Metropolitan Area Of the City of Caracas.

NORTH AMERICA

How to Obtain Warranty Service: *The following is added to this Section:*

To obtain warranty service from IBM in Canada or the United States, call 1-800-IBM-SERV (426-7378).

CANADA

Limitation of Liability: *The following replaces item 1 of this section:*

1. damages for bodily injury (including death) or physical harm to real property and tangible personal property caused by IBM's negligence; and

Governing Law: *The following replaces "laws of the country in which you acquired the Machine" in the first sentence:*

laws in the Province of Ontario.

UNITED STATES

Governing Law: *The following replaces "laws of the country in which you acquired the Machine" in the first sentence:*

laws of the State of New York.

ASIA PACIFIC

AUSTRALIA

What this Warranty Covers: *The following paragraph is added to this section:*

The warranties specified in this Section are in addition to any rights you may have under the Trade Practices Act 1974 or other similar legislation and are only limited to the extent permitted by the applicable legislation.

Limitation of Liability: *The following is added to this section:*

Where IBM is in breach of a condition or warranty implied by the Trade Practices Act 1974 or other similar legislation, IBM's liability is limited to the repair or replacement of the goods or the supply of equivalent goods. Where that condition or warranty relates to right to sell, quiet possession or clear title, or the goods are of a kind ordinarily acquired for personal, domestic or household use or consumption, then none of the limitations in this paragraph apply.

Governing Law: *The following replaces "laws of the country in which you acquired the Machine" in the first sentence:*

laws of the State or Territory.

CAMBODIA AND LAOS

Governing Law: *The following replaces "laws of the country in which you acquired the Machine" in the first sentence:*

laws of the State of New York, United States of America.

CAMBODIA, INDONESIA, AND LAOS

Arbitration: *The following is added under this heading:*

Disputes arising out of or in connection with this Statement of Limited Warranty shall be finally settled by arbitration which shall be held in Singapore in accordance with the Arbitration Rules of Singapore International Arbitration Center (“SIAC Rules”) then in effect. The arbitration award shall be final and binding for the parties without appeal and shall be in writing and set forth the findings of fact and the conclusions of law.

The number of arbitrators shall be three, with each side to the dispute being entitled to appoint one arbitrator. The two arbitrators appointed by the parties shall appoint a third arbitrator who shall act as chairman of the proceedings. Vacancies in the post of chairman shall be filled by the president of the SIAC. Other vacancies shall be filled by the respective nominating party. Proceedings shall continue from the stage they were at when the vacancy occurred.

If one of the parties refuses or otherwise fails to appoint an arbitrator within 30 days of the date the other party appoints its, the first appointed arbitrator shall be the sole arbitrator, provided that the arbitrator was validly and properly appointed.

All proceedings shall be conducted, including all documents presented in such proceedings, in the English language. The English language version of this Statement of Limited Warranty prevails over any other language version.

HONG KONG S.A.R. OF CHINA AND MACAU S.A.R. OF CHINA

Governing Law: *The following replaces “laws of the country in which you acquired the Machine” in the first sentence:*

laws of Hong Kong Special Administrative Region of China.

INDIA

Limitation of Liability: *The following replaces items 1 and 2 of this section:*

1. liability for bodily injury (including death) or damage to real property and tangible personal property will be limited to that caused by IBM’s negligence; and
2. as to any other actual damage arising in any situation involving nonperformance by IBM pursuant to, or in any way related to the subject of this Statement of Limited Warranty, the charge paid by you for the individual Machine that is the subject of the claim. For purposes of this item, the term “Machine” includes Machine Code and Licensed Internal Code (“LIC”).

Arbitration: *The following is added under this heading:*

Disputes arising out of or in connection with this Statement of Limited Warranty shall be finally settled by arbitration which shall be held in Bangalore, India in accordance with the laws of India then in effect. The arbitration award shall be final and binding for the parties without appeal and shall be in writing and set forth the findings of fact and the conclusions of law.

The number of arbitrators shall be three, with each side to the dispute being entitled to appoint one arbitrator. The two arbitrators appointed by the parties shall appoint a third arbitrator who shall act as chairman of the proceedings. Vacancies in the post of chairman shall be filled by the president of the Bar Council of India. Other vacancies shall be filled by the respective nominating party. Proceedings shall continue from the stage they were at when the vacancy occurred.

If one of the parties refuses or otherwise fails to appoint an arbitrator within 30 days of the date the other party appoints its, the first appointed arbitrator shall be the sole arbitrator, provided that the arbitrator was validly and properly appointed.

All proceedings shall be conducted, including all documents presented in such proceedings, in the English language. The English language version of this Statement of Limited Warranty prevails over any other language version.

JAPAN

Governing Law: *The following sentence is added to this section:*

Any doubts concerning this Statement of Limited Warranty will be initially resolved between us in good faith and in accordance with the principle of mutual trust.

MALAYSIA

Limitation of Liability: *The word "SPECIAL" in item 3 of the fifth paragraph is deleted.*

NEW ZEALAND

What this Warranty Covers: *The following paragraph is added to this section:*

The warranties specified in this section are in addition to any rights you may have under the Consumer Guarantees Act 1993 or other legislation which cannot be excluded or limited. The Consumer Guarantees Act 1993 will not apply in respect of any goods which IBM provides, if you require the goods for the purposes of a business as defined in that Act.

Limitation of Liability: *The following is added to this section:*

Where Machines are not acquired for the purposes of a business as defined in the Consumer Guarantees Act 1993, the limitations in this section are subject to the limitations in that Act.

PEOPLE'S REPUBLIC OF CHINA (PRC)

Governing Law: *The following replaces "laws of the country in which you acquired the Machine" in the first sentence:*

laws of the State of New York, United States of America (except when local law requires otherwise).

PHILIPPINES

Limitation of Liability: *Item 3 in the fifth paragraph is replaced by the following:*

SPECIAL (INCLUDING NOMINAL AND EXEMPLARY DAMAGES), MORAL, INCIDENTAL, OR INDIRECT DAMAGES FOR ANY ECONOMIC CONSEQUENTIAL DAMAGES; OR

Arbitration: *The following is added under this heading:*

Disputes arising out of or in connection with this Statement of Limited Warranty shall be finally settled by arbitration which shall be held in Metro Manila, Philippines in accordance with the laws of the Philippines then in effect. The arbitration award shall be final and binding for the parties without appeal and shall be in writing and set forth the findings of fact and the conclusions of law.

The number of arbitrators shall be three, with each side to the dispute being entitled to appoint one arbitrator. The two arbitrators appointed by the parties shall appoint a third arbitrator who shall act as chairman of the proceedings. Vacancies in the post of chairman shall be filled by the president of the Philippine Dispute Resolution Center, Inc. Other vacancies shall be filled by the respective nominating party. Proceedings shall continue from the stage they were at when the vacancy occurred.

If one of the parties refuses or otherwise fails to appoint an arbitrator within 30 days of the date the other party appoints its, the first appointed arbitrator shall be the sole arbitrator, provided that the arbitrator was validly and properly appointed.

All proceedings shall be conducted, including all documents presented in such proceedings, in the English language. The English language version of this Statement of Limited Warranty prevails over any other language version.

SINGAPORE

Limitation of Liability: *The words “SPECIAL” and “ECONOMIC” in item 3 in the fifth paragraph are deleted.*

EUROPE, MIDDLE EAST, AFRICA (EMEA)

THE FOLLOWING TERMS APPLY TO ALL EMEA COUNTRIES:

The terms of this Statement of Limited Warranty apply to Machines purchased from IBM or an IBM reseller.

How to Obtain Warranty Service:

*Add the following paragraph in **Western Europe** (Andorra, Austria, Belgium, Cyprus, Czech Republic, Denmark, Estonia, Finland, France, Germany, Greece, Hungary, Iceland, Ireland, Italy, Latvia, Liechtenstein, Lithuania, Luxembourg, Malta, Monaco, Netherlands, Norway, Poland, Portugal, San Marino, Slovakia, Slovenia, Spain, Sweden, Switzerland, United Kingdom, Vatican State, and any country subsequently added to the European Union, as from the date of accession):*

The warranty for Machines acquired in Western Europe shall be valid and applicable in all Western Europe countries provided the Machines have been announced and made available in such countries.

If you purchase a Machine in one of the Western European countries, as defined above, you may obtain warranty service for that Machine in any of those countries from either (1) an IBM reseller approved to perform warranty service or (2) from IBM, provided the Machine has been announced and made available by IBM in the country in which you wish to obtain service.

If you purchased a Personal Computer Machine in Albania, Armenia, Belarus, Bosnia and Herzegovina, Bulgaria, Croatia, Czech Republic, Georgia, Hungary, Kazakhstan, Kyrgyzstan, Federal Republic of Yugoslavia, Former Yugoslav Republic of Macedonia (FYROM), Moldova, Poland, Romania, Russia, Slovak Republic, Slovenia, or Ukraine, you may obtain warranty service for that Machine in any of those countries from either (1) an IBM reseller approved to perform warranty service or (2) from IBM.

If you purchase a Machine in a Middle Eastern or African country, you may obtain warranty service for that Machine from the IBM entity within the country of purchase, if that IBM entity provides warranty service in that country, or from an IBM reseller, approved by IBM to perform warranty service on that Machine in that country. Warranty service in Africa is available within 50 kilometers of an IBM approved service provider. You are responsible for transportation costs for Machines located outside 50 kilometers of an IBM approved service provider.

Governing Law:

The phrase “the laws of the country in which you acquired the Machine” is replaced by:

- 1) “the laws of Austria” in **Albania, Armenia, Azerbaijan, Belarus, Bosnia-Herzegovina, Bulgaria, Croatia, Georgia, Hungary, Kazakhstan, Kyrgyzstan, FYR Macedonia, Moldova, Poland, Romania, Russia, Slovakia, Slovenia, Tajikistan, Turkmenistan, Ukraine, Uzbekistan, and FR Yugoslavia;**
- 2) “the laws of France” in **Algeria, Benin, Burkina Faso, Cameroon, Cape Verde, Central African Republic, Chad, Comoros, Congo Republic, Djibouti, Democratic Republic of Congo, Equatorial Guinea, French Guiana, French Polynesia, Gabon, Gambia, Guinea, Guinea-Bissau, Ivory Coast, Lebanon, Madagascar, Mali, Mauritania, Mauritius, Mayotte, Morocco, New Caledonia, Niger, Reunion, Senegal, Seychelles, Togo, Tunisia, Vanuatu, and Wallis & Futuna;** 3) “the laws of Finland” in **Estonia, Latvia, and Lithuania;** 4) “the laws of England” in **Angola, Bahrain, Botswana, Burundi, Egypt, Eritrea, Ethiopia, Ghana, Jordan, Kenya, Kuwait, Liberia, Malawi, Malta, Mozambique, Nigeria, Oman, Pakistan, Qatar, Rwanda, Sao Tome, Saudi Arabia, Sierra Leone, Somalia, Tanzania, Uganda, United Arab Emirates, the United Kingdom, West Bank/Gaza, Yemen, Zambia, and Zimbabwe;** and 5) “the laws of South Africa” in **South Africa, Namibia, Lesotho and Swaziland.**

Jurisdiction: *The following exceptions are added to this section:*

- 1) **In Austria** the choice of jurisdiction for all disputes arising out of this Statement of Limited Warranty and relating thereto, including its existence, will be the competent court of law in Vienna, Austria (Inner-City); 2) **in Angola, Bahrain, Botswana, Burundi, Egypt, Eritrea, Ethiopia, Ghana, Jordan, Kenya, Kuwait, Liberia, Malawi, Malta, Mozambique, Nigeria, Oman, Pakistan, Qatar, Rwanda, Sao Tome, Saudi Arabia, Sierra Leone, Somalia, Tanzania, Uganda, United Arab Emirates, West Bank/Gaza, Yemen, Zambia, and Zimbabwe** all disputes arising out of this Statement of Limited Warranty or related to its execution, including summary proceedings, will be submitted to the exclusive jurisdiction of the English courts; 3) **in Belgium and Luxembourg**, all disputes arising out of this Statement of Limited Warranty or related to its interpretation or its execution, the law, and the courts of the capital city, of the country of your registered office and/or commercial site location only are competent; 4) **in France, Algeria, Benin, Burkina Faso, Cameroon, Cape Verde, Central African Republic, Chad, Comoros, Congo Republic, Djibouti, Democratic Republic of Congo, Equatorial Guinea, French Guiana, French Polynesia, Gabon, Gambia, Guinea, Guinea-Bissau, Ivory Coast, Lebanon, Madagascar, Mali, Mauritania, Mauritius, Mayotte, Morocco, New Caledonia, Niger, Reunion, Senegal, Seychelles, Togo, Tunisia, Vanuatu, and Wallis & Futuna** all disputes arising out of this Statement of Limited Warranty or related to its violation or execution, including summary proceedings, will be settled exclusively by the Commercial Court of Paris; 5) **in**

Russia, all disputes arising out of or in relation to the interpretation, the violation, the termination, the nullity of the execution of this Statement of Limited Warranty shall be settled by Arbitration Court of Moscow; 6) **in South Africa, Namibia, Lesotho and Swaziland**, both of us agree to submit all disputes relating to this Statement of Limited Warranty to the jurisdiction of the High Court in Johannesburg; 7) **in Turkey** all disputes arising out of or in connection with this Statement of Limited Warranty shall be resolved by the Istanbul Central (Sultanahmet) Courts and Execution Directorates of Istanbul, the Republic of Turkey; 8) in each of the following specified countries, any legal claim arising out of this Statement of Limited Warranty will be brought before, and settled exclusively by, the competent court of a) Athens for **Greece**, b) Tel Aviv-Jaffa for **Israel**, c) Milan for **Italy**, d) Lisbon for **Portugal**, and e) Madrid for **Spain**; and 9) **in the United Kingdom**, both of us agree to submit all disputes relating to this Statement of Limited Warranty to the jurisdiction of the English courts.

Arbitration: *The following is added under this heading:*

In Albania, Armenia, Azerbaijan, Belarus, Bosnia-Herzegovina, Bulgaria, Croatia, Georgia, Hungary, Kazakhstan, Kyrgyzstan, FYR Macedonia, Moldova, Poland, Romania, Russia, Slovakia, Slovenia, Tajikistan, Turkmenistan, Ukraine, Uzbekistan, and FR Yugoslavia all disputes arising out of this Statement of Limited Warranty or related to its violation, termination or nullity will be finally settled under the Rules of Arbitration and Conciliation of the International Arbitral Center of the Federal Economic Chamber in Vienna (Vienna Rules) by three arbitrators appointed in accordance with these rules. The arbitration will be held in Vienna, Austria, and the official language of the proceedings will be English. The decision of the arbitrators will be final and binding upon both parties. Therefore, pursuant to paragraph 598 (2) of the Austrian Code of Civil Procedure, the parties expressly waive the application of paragraph 595 (1) figure 7 of the Code. IBM may, however, institute proceedings in a competent court in the country of installation.

In Estonia, Latvia and Lithuania all disputes arising in connection with this Statement of Limited Warranty will be finally settled in arbitration that will be held in Helsinki, Finland in accordance with the arbitration laws of Finland then in effect. Each party will appoint one arbitrator. The arbitrators will then jointly appoint the chairman. If arbitrators cannot agree on the chairman, then the Central Chamber of Commerce in Helsinki will appoint the chairman.

EUROPEAN UNION (EU)

THE FOLLOWING TERMS APPLY TO ALL EU COUNTRIES:

The warranty for Machines acquired in EU countries is valid and applicable in all EU countries provided the Machines have been announced and made available in such countries.

How to Obtain Warranty Service: *The following is added to this section:*

To obtain warranty service from IBM in EU countries, see the telephone listing in Part 3 - Warranty Information.

You may contact IBM at the following address:

IBM Warranty & Service Quality Dept.
PO Box 30
Spango Valley
Greenock
Scotland PA16 0AH

CONSUMERS

Consumers have legal rights under applicable national legislation governing the sale of consumer goods. Such rights are not affected by the warranties provided in this Statement of Limited Warranty.

AUSTRIA, DENMARK, FINLAND, GREECE, ITALY, NETHERLANDS, NORWAY, PORTUGAL, SPAIN, SWEDEN AND SWITZERLAND

Limitation of Liability: *The following replaces the terms of this section in its entirety:*

Except as otherwise provided by mandatory law:

1. IBM's liability for any damages and losses that may arise as a consequence of the fulfillment of its obligations under or in connection with this Statement of Limited Warranty or due to any other cause related to this Statement of Limited Warranty is limited to the compensation of only those damages and losses proved and actually arising as an immediate and direct consequence of the non-fulfillment of such obligations (if IBM is at fault) or of such cause, for a maximum amount equal to the charges you paid for the Machine. For purposes of this item, the term "Machine" includes Machine Code and Licensed Internal Code ("LIC").

The above limitation shall not apply to damages for bodily injuries (including death) and damages to real property and tangible personal property for which IBM is legally liable.

2. **UNDER NO CIRCUMSTANCES IS IBM, ITS SUPPLIERS OR RESELLERS LIABLE FOR ANY OF THE FOLLOWING, EVEN IF INFORMED OF THEIR POSSIBILITY: 1) LOSS OF, OR DAMAGE TO, DATA; 2) INCIDENTAL OR INDIRECT DAMAGES, OR FOR ANY ECONOMIC CONSEQUENTIAL DAMAGES; 3) LOST PROFITS, EVEN IF THEY ARISE AS AN IMMEDIATE CONSEQUENCE OF THE EVENT THAT GENERATED THE DAMAGES; OR 4) LOSS OF BUSINESS, REVENUE, GOODWILL, OR ANTICIPATED SAVINGS.**

FRANCE AND BELGIUM

Limitation of Liability: *The following replaces the terms of this section in its entirety:*

Except as otherwise provided by mandatory law:

1. IBM's liability for any damages and losses that may arise as a consequence of the fulfillment of its obligations under or in connection with this Statement of Limited Warranty is limited to the compensation of only those damages and losses proved and actually arising as an immediate and direct consequence of the non-fulfillment of such obligations (if IBM is at fault), for a maximum amount equal to the charges you paid for the Machine that has caused the damages. For purposes of this item, the term "Machine" includes Machine Code and Licensed Internal Code ("LIC").

The above limitation shall not apply to damages for bodily injuries (including death) and damages to real property and tangible personal property for which IBM is legally liable.

2. **UNDER NO CIRCUMSTANCES IS IBM, ITS SUPPLIERS OR RESELLERS LIABLE FOR ANY OF THE FOLLOWING, EVEN IF INFORMED OF THEIR POSSIBILITY: 1) LOSS OF, OR DAMAGE TO, DATA; 2) INCIDENTAL OR INDIRECT DAMAGES, OR FOR ANY ECONOMIC CONSEQUENTIAL DAMAGES; 3) LOST PROFITS, EVEN IF THEY ARISE AS AN IMMEDIATE CONSEQUENCE OF THE EVENT THAT GENERATED THE DAMAGES; OR 4) LOSS OF BUSINESS, REVENUE, GOODWILL, OR ANTICIPATED SAVINGS.**

THE FOLLOWING TERMS APPLY TO THE COUNTRY SPECIFIED:

AUSTRIA

The provisions of this Statement of Limited Warranty replace any applicable statutory warranties.

What this Warranty Covers: *The following replaces the first sentence of the first paragraph of this section:*

The warranty for an IBM Machine covers the functionality of the Machine for its normal use and the Machine's conformity to its Specifications.

The following paragraphs are added to this section:

The limitation period for consumers in action for breach of warranty is the statutory period as a minimum. In case IBM or your reseller is unable to repair an IBM Machine, you can alternatively ask for a partial refund as far as justified by the reduced value of the unrepaired Machine or ask for a cancellation of the respective agreement for such Machine and get your money refunded.

The second paragraph does not apply.

What IBM Will Do to Correct Problems: *The following is added to this section:*

During the warranty period, IBM will reimburse you for the transportation charges for the delivery of the failing Machine to IBM.

Limitation of Liability: *The following paragraph is added to this section:*

The limitations and exclusions specified in the Statement of Limited Warranty will not apply to damages caused by IBM with fraud or gross negligence and for express warranty.

The following sentence is added to the end of item 2:

IBM's liability under this item is limited to the violation of essential contractual terms in cases of ordinary negligence.

EGYPT

Limitation of Liability: *The following replaces item 2 in this section:*

as to any other actual direct damages, IBM's liability will be limited to the total amount you paid for the Machine that is the subject of the claim. For purposes of this item, the term "Machine" includes Machine Code and Licensed Internal Code ("LIC").

Applicability of suppliers and resellers (unchanged).

FRANCE

Limitation of Liability: *The following replaces the second sentence of the first paragraph of this section:*

In such instances, regardless of the basis on which you are entitled to claim damages from IBM, IBM is liable for no more than: (items 1 and 2 unchanged).

GERMANY

What this Warranty Covers: *The following replaces the first sentence of the first paragraph of this section:*

The warranty for an IBM Machine covers the functionality of the Machine for its normal use and the Machine's conformity to its Specifications.

The following paragraphs are added to this section:

The minimum warranty period for Machines is twelve months. In case IBM or your reseller is unable to repair an IBM Machine, you can alternatively ask for a partial refund as far as justified by the reduced value of the unrepaired Machine or ask for a cancellation of the respective agreement for such Machine and get your money refunded.

The second paragraph does not apply.

What IBM Will Do to Correct Problems: *The following is added to this section:*

During the warranty period, transportation for delivery of the failing Machine to IBM will be at IBM's expense.

Limitation of Liability: *The following paragraph is added to this section:*

The limitations and exclusions specified in the Statement of Limited Warranty will not apply to damages caused by IBM with fraud or gross negligence and for express warranty.

The following sentence is added to the end of item 2:

IBM's liability under this item is limited to the violation of essential contractual terms in cases of ordinary negligence.

HUNGARY

Limitation of Liability: *The following is added at the end of this section:*

The limitation and exclusion specified herein shall not apply to liability for a breach of contract damaging life, physical well-being, or health that has been caused intentionally, by gross negligence, or by a criminal act.

The parties accept the limitations of liability as valid provisions and state that the Section 314.(2) of the Hungarian Civil Code applies as the acquisition price as well as other advantages arising out of the present Statement of Limited Warranty balance this limitation of liability.

IRELAND

What this Warranty Covers: *The following is added to this section:*

Except as expressly provided in these terms and conditions, all statutory conditions, including all warranties implied, but without prejudice to the generality of the foregoing all warranties implied by the Sale of Goods Act 1893 or the Sale of Goods and Supply of Services Act 1980 are hereby excluded.

Limitation of Liability: *The following replaces the terms of this section in its entirety:*

For the purposes of this section, a “Default” means any act, statement, omission, or negligence on the part of IBM in connection with, or in relation to, the subject matter of this Statement of Limited Warranty in respect of which IBM is legally liable to you, whether in contract or tort. A number of Defaults which together result in, or contribute to, substantially the same loss or damage will be treated as one Default occurring on the date of occurrence of the last such Default.

Circumstances may arise where, because of a Default, you are entitled to recover damages from IBM.

This section sets out the extent of IBM’s liability and your sole remedy.

1. IBM will accept unlimited liability for death or personal injury caused by the negligence of IBM.
2. Subject always to the **Items for Which IBM is Not Liable** below, IBM will accept unlimited liability for physical damage to your tangible property resulting from the negligence of IBM.
3. Except as provided in items 1 and 2 above, IBM’s entire liability for actual damages for any one Default will not in any event exceed the greater of 1) EUR 125,000, or 2) 125% of the amount you paid for the Machine directly relating to the Default.

Items for Which IBM is Not Liable

Save with respect to any liability referred to in item 1 above, under no circumstances is IBM, its suppliers or resellers liable for any of the following, even if IBM or they were informed of the possibility of such losses:

1. loss of, or damage to, data;
2. special, indirect, or consequential loss; or
3. loss of profits, business, revenue, goodwill, or anticipated savings.

SLOVAKIA

Limitation of Liability: *The following is added to the end of the last paragraph:*

The limitations apply to the extent they are not prohibited under §§ 373-386 of the Slovak Commercial Code.

SOUTH AFRICA, NAMIBIA, BOTSWANA, LESOTHO AND SWAZILAND

Limitation of Liability: *The following is added to this section:*

IBM's entire liability to you for actual damages arising in all situations involving nonperformance by IBM in respect of the subject matter of this Statement of Warranty will be limited to the charge paid by you for the individual Machine that is the subject of your claim from IBM.

UNITED KINGDOM

Limitation of Liability: *The following replaces the terms of this section in its entirety:*

For the purposes of this section, a "Default" means any act, statement, omission, or negligence on the part of IBM in connection with, or in relation to, the subject matter of this Statement of Limited Warranty in respect of which IBM is legally liable to you, whether in contract or tort. A number of Defaults which together result in, or contribute to, substantially the same loss or damage will be treated as one Default.

Circumstances may arise where, because of a Default, you are entitled to recover damages from IBM.

This section sets out the extent of IBM's liability and your sole remedy.

1. IBM will accept unlimited liability for:
 - a. death or personal injury caused by the negligence of IBM; and
 - b. any breach of its obligations implied by Section 12 of the Sale of Goods Act 1979 or Section 2 of the Supply of Goods and Services Act 1982, or any statutory modification or re-enactment of either such Section.
2. IBM will accept unlimited liability, subject always to the **Items for Which IBM is Not Liable** below, for physical damage to your tangible property resulting from the negligence of IBM.
3. IBM's entire liability for actual damages for any one Default will not in any event, except as provided in items 1 and 2 above, exceed the greater of 1) Pounds Sterling 75,000, or 2) 125% of the total purchase price payable or the charges for the Machine directly relating to the Default.

These limits also apply to IBM’s suppliers and resellers. They state the maximum for which IBM and such suppliers and resellers are collectively responsible.

Items for Which IBM is Not Liable

Save with respect to any liability referred to in item 1 above, under no circumstances is IBM or any of its suppliers or resellers liable for any of the following, even if IBM or they were informed of the possibility of such losses:

1. loss of, or damage to, data;
2. special, indirect, or consequential loss; or
3. loss of profits, business, revenue, goodwill, or anticipated savings.

Part 3 - Warranty Information

This Part 3 provides information regarding the warranty applicable to your Machine, including the warranty period and type of warranty service IBM provides.

Warranty Period

The warranty period may vary by country or region and is specified in the table below.

Note: “Region” means either Hong Kong or Macau Special Administrative Region of China.

A warranty period of 3 years on parts and 1 year on labor means that IBM provides warranty service without charge for:

1. parts and labor during the first year of the warranty period; and
2. parts only, on an exchange basis, in the second and third years of the warranty period. IBM will charge you for any labor provided in performance of the repair or replacement(s) in the second and third year of the warranty period.

Machine - Server Connectivity Module for IBM BladeCenter

Country or Region of Purchase	Warranty Period	Type of Warranty Service*
Worldwide	1 year	1
* See “Types of Warranty Service” for the legend and explanations of warranty-service types.		

Types of Warranty Service

If required, IBM provides repair or exchange the above table and as described below. Warranty service may be provided by your reseller if approved by IBM to perform warranty service. Scheduling of service will depend upon the time of your call and is subject to parts availability. Service levels are response time objectives and are not guaranteed. The specified level of warranty service may not be available in all worldwide locations, additional charges may apply outside IBM's normal service area, contact your local IBM representative or your reseller for country and location specific information.

1. Customer Replaceable Unit ("CRU") Service

IBM provides replacement CRUs to you for you to install. CRU information and replacement instructions are shipped with your Machine and are available from IBM at any time on your request. Installation of Tier 1 CRUs is your responsibility. If IBM installs a Tier 1 CRU at your request, you will be charged for the installation. You may install a Tier 2 CRU yourself or request IBM to install it, at no additional charge, under the type of warranty service designated for your Machine. IBM specifies in the materials shipped with a replacement CRU whether a defective CRU must be returned to IBM. When return is required, 1) return instructions and a container are shipped with the replacement CRU, and 2) you may be charged for the replacement CRU if IBM does not receive the defective CRU within 30 days of your receipt of the replacement.

2. On-site Service

IBM or your reseller will either repair or exchange the failing Machine at your location and verify its operation. You must provide suitable working area to allow disassembly and reassembly of the IBM Machine. The area must be clean, well lit and suitable for the purpose. For some Machines, certain repairs may require sending the Machine to an IBM service center.

3. Courier or Depot Service*

You will disconnect the failing Machine for collection arranged by IBM. IBM will provide you with a shipping container for you to return your Machine to a designated service center. A courier will pick up your Machine and deliver it to the designated service center. Following its repair or exchange, IBM will arrange the return delivery of the Machine to your location. You are responsible for its installation and verification.

4. Customer Carry-In or Mail-In Service

You will deliver or mail as IBM specifies (prepaid unless IBM specifies otherwise) the failing Machine suitably packaged to a location IBM designates. After IBM has repaired or exchanged the Machine, IBM will make it available for your collection or, for Mail-in Service, IBM will return it to you at IBM's expense, unless IBM specifies otherwise. You are responsible for the subsequent installation and verification of the Machine.

5. CRU and On-site Service

This type of Warranty Service is a combination of Type 1 and Type 2 (see above).

6. CRU and Courier or Depot Service

This type of Warranty Service is a combination of Type 1 and Type 3 (see above).

7. CRU and Customer Carry-In or Mail-In Service

This type of Warranty Service is a combination of Type 1 and Type 4 (see above).

When a 5, 6 or 7 type of warranty service is listed, IBM will determine which type of warranty service is appropriate for the repair.

* This type of service is called ThinkPad EasyServ or EasyServ in some countries.

The IBM Machine Warranty World Wide Web site at http://www.ibm.com/servers/support/machine_warranties/ provides a worldwide overview of IBM's Limited Warranty for Machines, a Glossary of IBM definitions, Frequently Asked Questions (FAQs) and Support by Product (Machine) with links to Product Support pages. **The IBM Statement of Limited Warranty is also available on this site in 29 languages.**

To obtain warranty service contact IBM or your IBM reseller. In Canada or the United States, call 1-800-IBM-SERV (426-7378). In the EU countries, see the telephone numbers below.

EU Country Telephone List

Phone numbers are subject to change without notice. For the warranty service contact telephone number in a country subsequently added to the EU and not yet reflected in the list below, contact IBM in that country or visit the website above for a current telephone listing.

Austria -- +43-1-24592-5901	Latvia -- +386-61-1796-699
Belgium -- +32-70-23-3392	Lithuania -- +386-61-1796-699
Cyprus -- +357-22-841100	Luxembourg -- +352-298-977-5063
Czech Republic -- +420-2-7213-1316	Malta -- +356-23-4175
Denmark -- +45-4520-8200	Netherlands -- +31-20-514-5770
Estonia -- +386-61-1796-699	Poland -- +48-22-878-6999
Finland -- +358-8001-4260	Portugal -- +351-21-892-7147
France -- +33-238-557-450	Slovakia -- +421-2-4954-1217
Germany -- +49-1805-253553	Slovenia -- +386-1-4796-699

Greece -- +30-210-680-1700	Spain -- +34-91-714-7983
Hungary -- +36-1-382-5720	Sweden -- +46-8-477-4420
Ireland -- +353-1-815-4000	United Kingdom -- +44-0870-550-0900
Italy -- +39-800-820-094	

Appendix C. Notices

This information was developed for products and services offered in the U.S.A.

IBM may not offer the products, services, or features discussed in this document in other countries. Consult your local IBM representative for information on the products and services currently available in your area. Any reference to an IBM product, program, or service is not intended to state or imply that only that IBM product, program, or service may be used. Any functionally equivalent product, program, or service that does not infringe any IBM intellectual property right may be used instead. However, it is the user's responsibility to evaluate and verify the operation of any non-IBM product, program, or service.

IBM may have patents or pending patent applications covering subject matter described in this document. The furnishing of this document does not give you any license to these patents. You can send license inquiries, in writing, to:

*IBM Director of Licensing
IBM Corporation
North Castle Drive
Armonk, NY 10504-1785
U.S.A.*

INTERNATIONAL BUSINESS MACHINES CORPORATION PROVIDES THIS PUBLICATION "AS IS" WITHOUT WARRANTY OF ANY KIND, EITHER EXPRESS OR IMPLIED, INCLUDING, BUT NOT LIMITED TO, THE IMPLIED WARRANTIES OF NON-INFRINGEMENT, MERCHANTABILITY OR FITNESS FOR A PARTICULAR PURPOSE. Some states do not allow disclaimer of express or implied warranties in certain transactions, therefore, this statement may not apply to you.

This information could include technical inaccuracies or typographical errors. Changes are periodically made to the information herein; these changes will be incorporated in new editions of the publication. IBM may make improvements and/or changes in the product(s) and/or the program(s) described in this publication at any time without notice.

Any references in this information to non-IBM Web sites are provided for convenience only and do not in any manner serve as an endorsement of those Web sites. The materials at those Web sites are not part of the materials for this IBM product, and use of those Web sites is at your own risk.

IBM may use or distribute any of the information you supply in any way it believes appropriate without incurring any obligation to you.

Trademarks

The following terms are trademarks of International Business Machines Corporation in the United States, other countries, or both:

Active Memory	IBM	TechConnect
Active PCI	IBM (logo)	Tivoli
Active PCI-X	IntelliStation	Tivoli Enterprise
AIX	NetBAY	Update Connector
Alert on LAN	Netfinity	Wake on LAN
BladeCenter	Predictive Failure Analysis	XA-32
Chipkill	ServeRAID	XA-64
e-business logo	ServerGuide	X-Architecture
@server	ServerProven	XpandOnDemand
FlashCopy	System x	xSeries
i5/OS		

Intel, Intel Xeon, Itanium, and Pentium are trademarks or registered trademarks of Intel Corporation or its subsidiaries in the United States and other countries.

Microsoft, Windows, and Windows NT are trademarks of Microsoft Corporation in the United States, other countries, or both.

UNIX is a registered trademark of The Open Group in the United States and other countries.

Java and all Java-based trademarks and logos are trademarks of Sun Microsystems, Inc. in the United States, other countries, or both.

Adaptec and HostRAID are trademarks of Adaptec, Inc., in the United States, other countries, or both.

Linux is a trademark of Linus Torvalds in the United States, other countries, or both.

Red Hat, the Red Hat "Shadow Man" logo, and all Red Hat-based trademarks and logos are trademarks or registered trademarks of Red Hat, Inc., in the United States and other countries.

Other company, product, or service names may be trademarks or service marks of others.

Important notes

Processor speeds indicate the internal clock speed of the microprocessor; other factors also affect application performance.

CD drive speeds list the variable read rate. Actual speeds vary and are often less than the maximum possible.

When referring to processor storage, real and virtual storage, or channel volume, KB stands for approximately 1000 bytes, MB stands for approximately 1 000 000 bytes, and GB stands for approximately 1 000 000 000 bytes.

When referring to hard disk drive capacity or communications volume, MB stands for 1 000 000 bytes, and GB stands for 1 000 000 000 bytes. Total user-accessible capacity may vary depending on operating environments.

Maximum internal hard disk drive capacities assume the replacement of any standard hard disk drives and population of all hard disk drive bays with the largest currently supported drives available from IBM.

Maximum memory may require replacement of the standard memory with an optional memory module.

IBM makes no representation or warranties regarding non-IBM products and services that are ServerProven[®], including but not limited to the implied warranties of merchantability and fitness for a particular purpose. These products are offered and warranted solely by third parties.

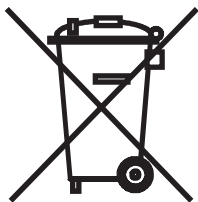
IBM makes no representations or warranties with respect to non-IBM products. Support (if any) for the non-IBM products is provided by the third party, not IBM.

Some software may differ from its retail version (if available), and may not include user manuals or all program functionality.

Product recycling and disposal

This unit must be recycled or discarded according to applicable local and national regulations. IBM encourages owners of information technology (IT) equipment to responsibly recycle their equipment when it is no longer needed. IBM offers a variety of product return programs and services in several countries to assist equipment owners in recycling their IT products. Information on IBM product recycling offerings can be found on IBM's Internet site at <http://www.ibm.com/ibm/environment/products/prp.shtml>.

Esta unidad debe reciclarse o desecharse de acuerdo con lo establecido en la normativa nacional o local aplicable. IBM recomienda a los propietarios de equipos de tecnología de la información (TI) que reciclen responsablemente sus equipos cuando éstos ya no les sean útiles. IBM dispone de una serie de programas y servicios de devolución de productos en varios países, a fin de ayudar a los propietarios de equipos a reciclar sus productos de TI. Se puede encontrar información sobre las ofertas de reciclado de productos de IBM en el sitio web de IBM <http://www.ibm.com/ibm/environment/products/prp.shtml>.



Notice: This mark applies only to countries within the European Union (EU) and Norway.

This appliance is labeled in accordance with European Directive 2002/96/EC concerning waste electrical and electronic equipment (WEEE). The Directive determines the framework for the return and recycling of used appliances as applicable throughout the European Union. This label is applied to various products to indicate that the product is not to be thrown away, but rather reclaimed upon end of life per this Directive.

注意: このマークは EU 諸国およびノルウェーにおいてのみ適用されます。

この機器には、EU 諸国に対する廃電気電子機器指令 2002/96/EC(WEEE) のラベルが貼られています。この指令は、EU 諸国に適用する使用済み機器の回収とリサイクルの骨子を定めています。このラベルは、使用済みになった時に指令に従って適正な処理をする必要があることを知らせるために種々の製品に貼られています。

Remarque : Cette marque s'applique uniquement aux pays de l'Union Européenne et à la Norvège.

L'étiquette du système respecte la Directive européenne 2002/96/EC en matière de Déchets des Equipements Electriques et Electroniques (DEEE), qui détermine les dispositions de retour et de recyclage applicables aux systèmes utilisés à travers l'Union européenne. Conformément à la directive, ladite étiquette précise que le produit sur lequel elle est apposée ne doit pas être jeté mais être récupéré en fin de vie.

In accordance with the European WEEE Directive, electrical and electronic equipment (EEE) is to be collected separately and to be reused, recycled, or recovered at end of life. Users of EEE with the WEEE marking per Annex IV of the WEEE Directive, as shown above, must not dispose of end of life EEE as unsorted municipal waste, but use the collection framework available to customers for the return, recycling, and recovery of WEEE. Customer participation is important to minimize any potential effects of EEE on the environment and human health due to the potential presence of hazardous substances in EEE. For proper collection and treatment, contact your local IBM representative.

Battery return program

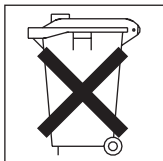
This product may contain a sealed lead acid, nickel cadmium, nickel metal hydride, lithium, or lithium ion battery. Consult your user manual or service manual for specific battery information. The battery must be recycled or disposed of properly. Recycling facilities may not be available in your area. For information on disposal of batteries outside the United States, go to <http://www.ibm.com/ibm/environment/products/batteryrecycle.shtml> or contact your local waste disposal facility.

In the United States, IBM has established a return process for reuse, recycling, or proper disposal of used IBM sealed lead acid, nickel cadmium, nickel metal hydride, and battery packs from IBM equipment. For information on proper disposal of these batteries, contact IBM at 1-800-426-4333. Have the IBM part number listed on the battery available prior to your call.

For Taiwan: Please recycle batteries.



For the European Union:



For California: Perchlorate material – special handling may apply. See <http://www.dtsc.ca.gov/hazardouswaste/perchlorate/>.

The foregoing notice is provided in accordance with California Code of Regulations Title 22, Division 4.5 Chapter 33. Best Management Practices for Perchlorate Materials. This product/part may include a lithium manganese dioxide battery which contains a perchlorate substance.

Electronic emission notices

Federal Communications Commission (FCC) statement

Note: This equipment has been tested and found to comply with the limits for a Class A digital device, pursuant to Part 15 of the FCC Rules. These limits are designed to provide reasonable protection against harmful interference when the equipment is operated in a commercial environment. This equipment generates, uses, and can radiate radio frequency energy and, if not installed and used in accordance with the instruction manual, may cause harmful interference to radio communications. Operation of this equipment in a residential area is likely to cause harmful interference, in which case the user will be required to correct the interference at his own expense.

Properly shielded and grounded cables and connectors must be used in order to meet FCC emission limits. IBM is not responsible for any radio or television interference caused by using other than recommended cables and connectors or by unauthorized changes or modifications to this equipment. Unauthorized changes or modifications could void the user's authority to operate the equipment.

This device complies with Part 15 of the FCC Rules. Operation is subject to the following two conditions: (1) this device may not cause harmful interference, and (2) this device must accept any interference received, including interference that may cause undesired operation.

Industry Canada Class A emission compliance statement

This Class A digital apparatus complies with Canadian ICES-003.

Avis de conformité à la réglementation d'Industrie Canada

Cet appareil numérique de la classe A est conforme à la norme NMB-003 du Canada.

Australia and New Zealand Class A statement

Attention: This is a Class A product. In a domestic environment this product may cause radio interference in which case the user may be required to take adequate measures.

United Kingdom telecommunications safety requirement

Notice to Customers

This apparatus is approved under approval number NS/G/1234/J/100003 for indirect connection to public telecommunication systems in the United Kingdom.

European Union EMC Directive conformance statement

This product is in conformity with the protection requirements of EU Council Directive 89/336/EEC on the approximation of the laws of the Member States relating to electromagnetic compatibility. IBM cannot accept responsibility for any failure to satisfy the protection requirements resulting from a nonrecommended modification of the product, including the fitting of non-IBM option cards.

This product has been tested and found to comply with the limits for Class A Information Technology Equipment according to CISPR 22/European Standard EN 55022. The limits for Class A equipment were derived for commercial and industrial environments to provide reasonable protection against interference with licensed communication equipment.

Attention: This is a Class A product. In a domestic environment this product may cause radio interference in which case the user may be required to take adequate measures.

Taiwanese Class A warning statement

警告使用者：
這是甲類的資訊產品，在居住的環境中使用時，可能會造成射頻干擾，在這種情況下，使用者會被要求採取某些適當的對策。

Chinese Class A warning statement

声 明

此为 A 级产品。在生活环境中，该产品可能会造成无线电干扰。在这种情况下，可能需要用户对其干扰采取切实可行的措施。

Japanese Voluntary Control Council for Interference (VCCI) statement

この装置は、情報処理装置等電波障害自主規制協議会（VCCI）の基準に基づくクラスA情報技術装置です。この装置を家庭環境で使用すると電波妨害を引き起こすことがあります。この場合には使用者が適切な対策を講ずるよう要求されることがあります。

Index

A

- accessing
 - browser-based interface 28
 - I/O module
 - through browser-based interface 28
 - through management module 22
 - through Telnet interface 30
 - management module 24, 25, 35
 - Telnet interface 30
- activating network address translation table (NAT) values 25
- address label 2

B

- battery return program 75
- bay locations for I/O module 9
- BladeCenter documentation 4
- browser-based interface
 - enabling access 28
 - features 28
 - main menu 29
 - requirements 28
 - starting 28

C

- cable specifications 6
- case-sensitive data fields
 - accessing the I/O module 29
 - logging onto the management module 24, 25, 35
 - management module 22
- changing network address translation table (NAT) values 25
- Class A electronic emission notice 76
- command for
 - enabling access to browser-based interface 28
 - setting the system date 31
 - setting the system time 31
 - Telnet access 30
- command-line interface (CLI)
 - management module 4, 20

- command-line interface (CLI) (*continued*)
 - Server Connectivity Module 3, 20
- components
 - hot-swap, identifying 10
 - information panel 15
 - major 8
- configuring the I/O module
 - activating or changing network address translation table (NAT) values 25
 - enabling external ports 25
 - restoring factory default values 25
 - through the browser-based interface 27
 - through the Telnet interface 29
- connecting the Telnet interface to the I/O module 29, 30
- connector locations 15
- contact information
 - hardware service and support 44
 - service information for IBM systems and optional devices 44
 - software service and support 44
 - Taiwan product service 45
- cooling, system 9
- critical errors 39

D

- date, setting 31
- default IP address 19
- default remote-management mode 19
- documentation
 - ordering 44
 - related 3, 4

E

- electronic emission Class A notice 76
- enabling access to the browser-based interface 28
- enabling the external ports 24, 25
- error
 - critical 39
 - LED 16
 - noncritical 39

establishing a TCP/IP session
through management module 22

Ethernet

cable specifications 6
connector locations 15
I/O module error (!) LED 16
interface requirements 9
link LED 16
ports 15
power LED 16
standards 6
Tx/Rx LED 17
external components 15
external ports
enabling 24, 25
location 15

F

FCC Class A notice 76
features 5, 28
first-time connection to the I/O
module 31

G

general requirements 5
getting help and technical assistance 43
guidelines, installation 9

H

handling static-sensitive devices 10
hardware service and support 44
help and technical assistance 43
hot-swap components 10

I

I/O module
bays 9
command-line interface (CLI) 3, 20
connecting to 29, 30
features 5
information panel 15
installing 11
LEDs 16
logging on 30
removing 13
resetting 36
restarting 36

I/O module (*continued*)
software

current level 33
latest level 34
updating 33
upgrading 34, 36
I/O module error (!) LED 16
IBM ServerProven Web site 10
identification labels 8
identifying hot-swap components 10
indicators 16
information panel 15, 29
installation
guidelines 9
illustration 11
procedure 11
installing
hot-swap components 10
options, guidelines 9
the I/O module 11
Institute of Electrical and Electronics
Engineers (IEEE) standards
supported 6
Internet protocol (IP) address
format 28
location 28
introduction 1
IP address
default 19

L

labels 8
LEDs
Ethernet link 16
Ethernet Tx/Rx 17
front view 16
I/O module error (!) 16
location 15
on I/O module 16
power 12, 16
location
connectors 15
I/O module bays 9
IP address 28
LEDs 15
ports 15
serial number 8
logging onto the I/O module
browser-based interface 28
Telnet interface 30

- logging onto the management module 24, 25, 35
- login window
 - browser-based interface 28
 - Telnet interface 30

M

- main menu
 - browser-based interface 29
 - Telnet interface 30
- major components 8
- management features 28
- management module
 - command-line interface (CLI) 4, 20
 - documentation 4
 - establishing a TCP/IP session 22
 - IP address 29
 - logging on 22, 24, 25, 35
 - software level 33
 - software update 33
- managing the I/O module remotely 19

N

- network address translation table (NAT) values 25
- network management
 - browser-based 28
 - Web-based 27
- non-volatile random-access memory (NVRAM) 29
- noncritical errors 39
- notes, important 73
- notices
 - electronic emission 76
 - FCC, Class A 76
- notices and statements 7

O

- obtaining the IP address for management module 29
- obtaining warranty service
 - telephone numbers
 - European Union (EU) countries 69
 - United States and Canada 69
 - Web site, worldwide 69
- options
 - I/O-module bays 9

- options (*continued*)
 - installation guidelines 9
 - supported 10
- ordering publications 44

P

- parts listing 41
- password rules
 - management module 22, 24, 25
 - Telnet interface 29
- ports
 - enabling 24
 - locations 15
- power LED 12, 16
- product recycling 73
- publications
 - ordering 44
 - related 3, 4

R

- real-time information-panel display 29
- recycling
 - battery 75
 - product 73
- related documentation 3, 4
- remote access 19
- remote management 19
- removing
 - hot-swap components 10
 - the I/O module 13
- requirements
 - connecting to the I/O module 29, 30, 31
 - logging onto the I/O module
 - browser-based interface 28
 - Telnet interface 30
 - starting the browser-based interface 28
 - starting the Telnet interface 30
 - using the browser-based interface 28
 - using the Telnet interface 29
- resetting the I/O module 36
- resetting the system date 31
- resetting the system time 31
- restarting the I/O module 36
- restoring factory default values 25

S

- safety information v, vi, vii
- serial number
 - illustration 8
 - location of 2
- ServerProven Web site, IBM 10
- service and support 44
- service for IBM products 44
- setting the system date 31
- setting the system time 31
- software service and support 44
- software updates 33
- software upgrades 34, 36
- solving problems 39
- specifications
 - data transmission rates 5
 - network cable 6
 - standards 6
- starting a new I/O-module session 30
- starting the browser-based interface 28
- starting the Telnet interface 30
- statements, safety vi, vii, 7
- static electricity 10
- static-sensitive devices, handling 10
- support for BladeCenter products 43
- support telephone numbers 44, 45
- system date, setting 31
- system identification label 2
- system reliability considerations 9
- system security
 - browser-based interface 29
 - I/O module 29
 - passwords 22, 24, 25, 35
- system time, setting 31

T

- Taiwan product service contact information 45
- TCP/IP session, establishing
 - through management module 22
- technical assistance 43
- telephone numbers 44, 69
- Telnet
 - access 30
 - interface 29
 - main menu 30
 - usage requirements 29
- time, setting 31
- trademarks 72
- troubleshooting 39

U

- United States electronic emission Class A notice 76
- United States FCC Class A notice 76
- updating the software 33
- upgrading the software 34, 36
- using management module to establish a TCP/IP session 22

W

- warranty service
 - telephone numbers
 - European Union (EU) countries 69
 - United States and Canada 69
 - types of 68
 - worldwide, through IBM Web site 69
- Web site
 - IBM BladeCenter products 43, 44
 - IBM products 1
 - IBM ServerProven list 10
 - ordering publications 44
 - product recycling 73
 - software service and support 44
 - support telephone numbers 44
 - supported options 10
 - worldwide warranty service for IBM products 69
- Web-based network management 27



Part Number: 42C4871

Printed in USA

(1P) P/N: 42C4871

