



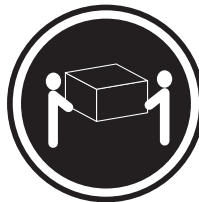
Rack Installation Instructions

Review the documentation that comes with the rack cabinet for safety and cabling information. Before you install the server in a rack cabinet, review the following guidelines:

- Make sure that the room air temperature is below 35°C (95°F).
- Do not block any air vents; usually 15 cm (6 in.) of space provides proper airflow.
- Do not leave open spaces above or below an installed server in your rack cabinet. To help prevent damage to server components, always install a blank filler panel to cover the open space and to help ensure proper air circulation.
- Install the server only in a rack cabinet with perforated doors.
- Plan the device installation starting from the bottom of the rack cabinet.
- Install the heaviest device in the bottom of the rack cabinet.
- Do not extend more than one device out of the rack cabinet at the same time.
- Remove the rack doors and side panels to provide easier access during installation.
- Connect the server to a properly grounded outlet.
- Do not overload the power outlet when you install multiple devices in the rack cabinet.
- Install the server in a rack cabinet that meets the following requirements:
 - Minimum depth of 49 mm (1.9 in.) between the front mounting flange and inside of the front door
 - Minimum depth of 470 mm (18.5 in.) and maximum depth of 813 mm (32 in.) between the front and rear mounting flanges.



Use safe practices when lifting.



≥18 kg (39.7 lb)



≥32 kg (70.5 lb)



≥55 kg (121.2 lb)

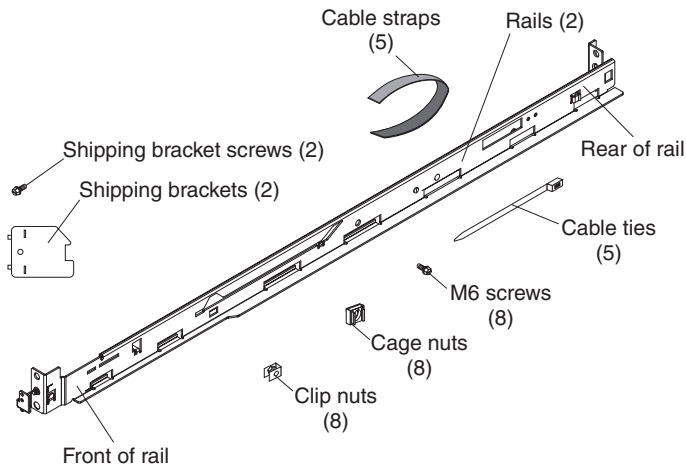


Do not place any object on top of rack-mounted devices.

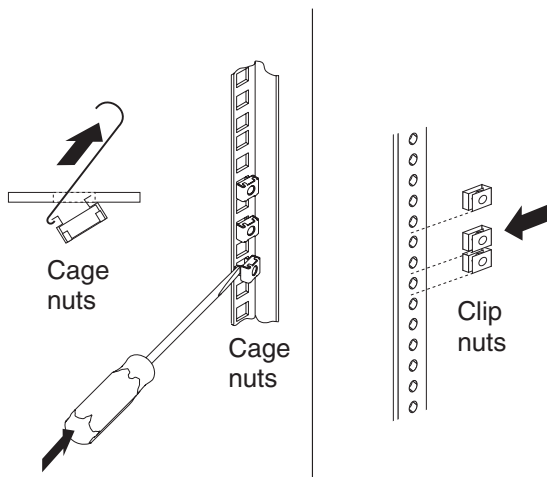


The following illustration shows the items that you need to install the server in the rack cabinet. If any items are missing or damaged, contact your place of purchase.

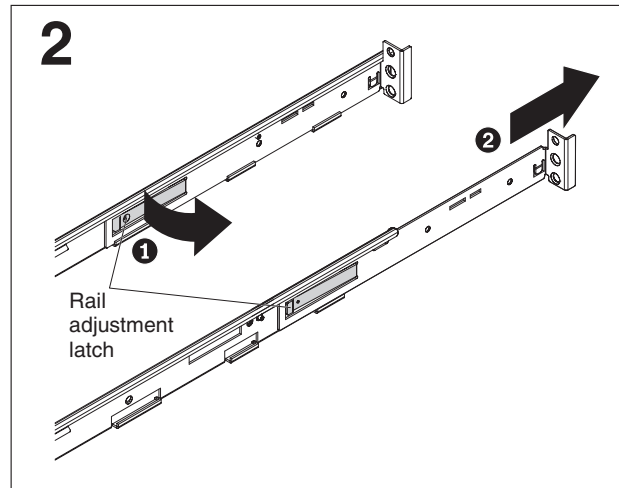
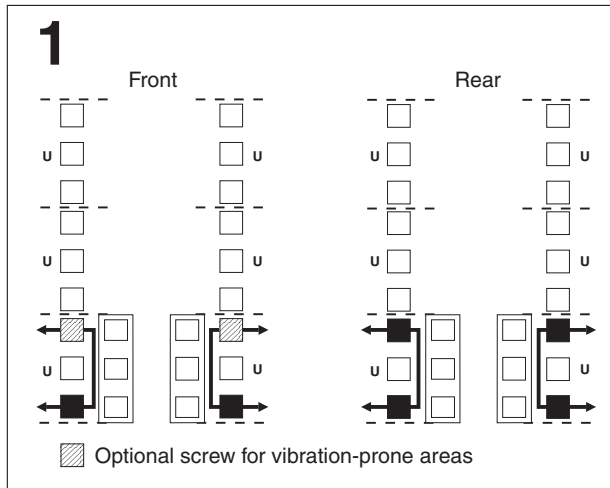
Note: Some items come with the server, not in the rack installation kit.



Use cage nuts for rack cabinets with square holes, use clip nuts for rack cabinets with round holes, and use your own rack screws for rack cabinets with tapped-holes. If your rack cabinet requires cage nuts, use a cage-nut-insertion tool or a flat-blade screwdriver to install them.



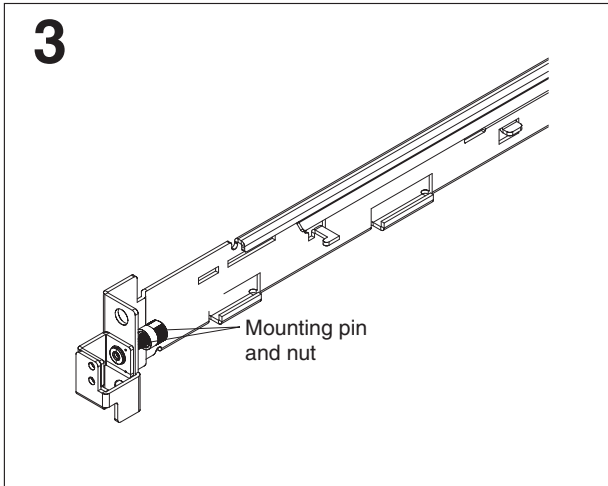
To install the server in a rack cabinet, complete the following steps:



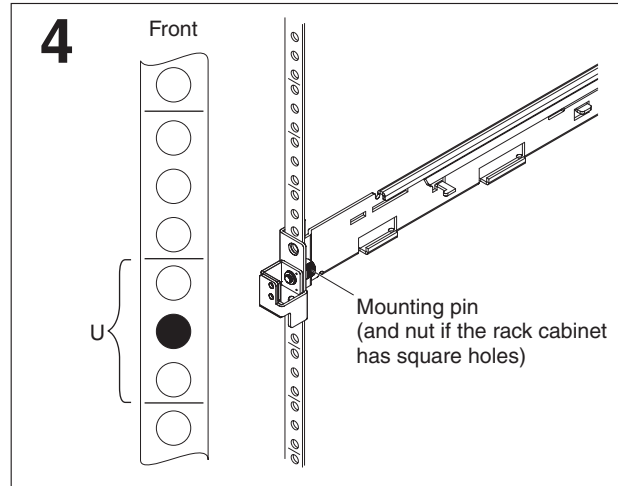
Select an available U space in the rack cabinet to install the server. If the rack cabinet has round holes or square holes, install cage nuts or clip nuts in the top and bottom holes of the selected U space on each rear rack flange. Then, install a cage nut or clip nut in the bottom hole of the U space on each front rack flange.

Note: If you move the rack cabinet with the server installed, or if the rack cabinet is installed in a vibration-prone area, install a cage nut or clip nut in the top hole of the U space on each front rack flange.

If the depth of the rack cabinet requires it, adjust the length of the rail by lifting the rail-adjustment latch and then extending the rail to the depth you want.

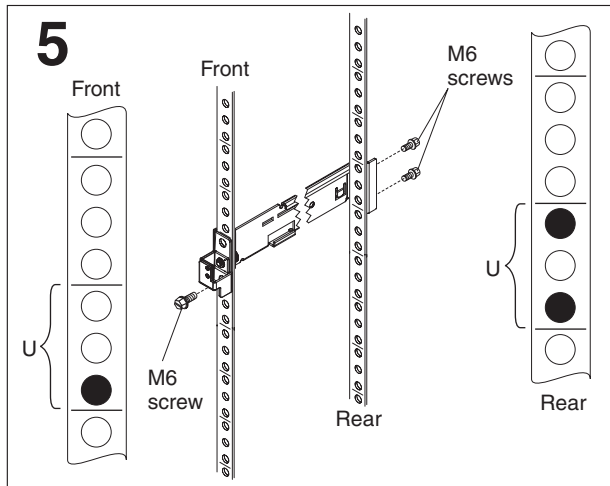


If the rack cabinet has round holes, remove the round nut from the mounting pin on the front of the rail. If the rack cabinet has tapped holes, use a Phillips screwdriver to unscrew and remove the mounting pin and nut assembly from the rail.



While you are standing at the front of the rack cabinet, hook the mounting pin (and the nut, if the rack cabinet has square holes) into the middle hole of the U space on the front of the rack cabinet. Make sure that the rail bracket is on the outside of the rack flange. (If you are installing the server in a rack cabinet with tapped holes, this step does not apply.)

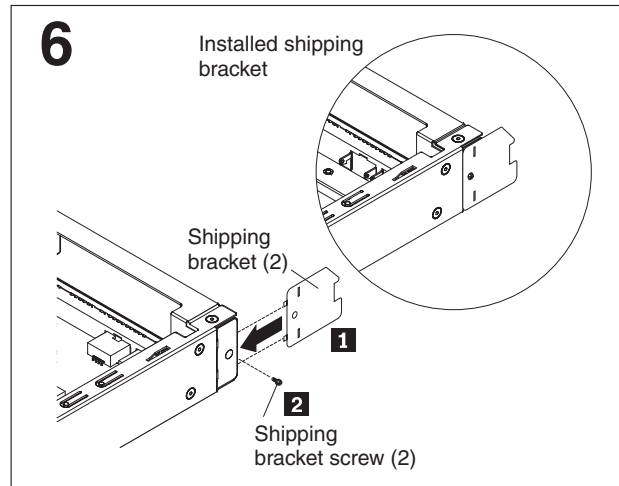
Extend the rear of the rail so that the rail bracket is on the outside of the rack flange.



Secure the rear of the rail with two M6 screws and secure the front of the rail with one M6 screw as shown.

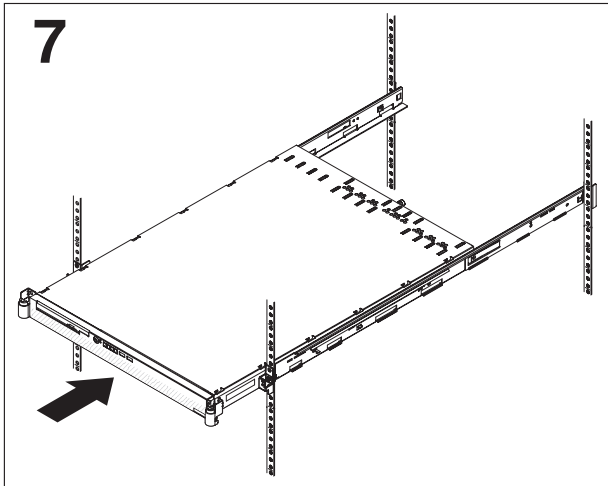
If you are installing the server in a rack cabinet with tapped holes, you must hold the rail in place while you secure the rail with the M6 screws.

Repeat steps 2 through 5 for the other rail.

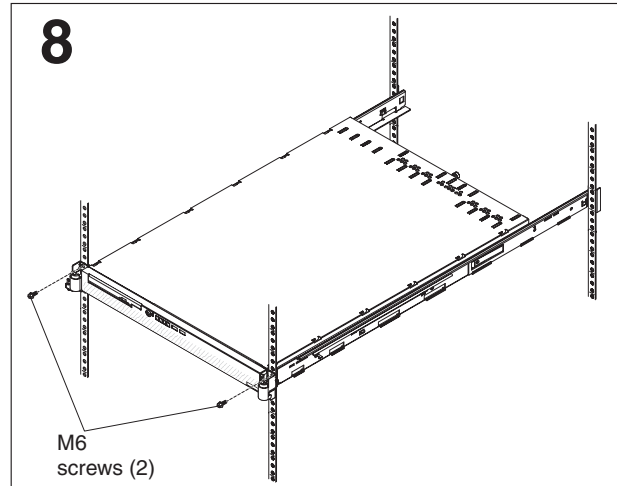


If you move the rack cabinet with the server installed, or if the rack cabinet is installed in a vibration-prone area, install the shipping brackets on the server rear chassis:

1. Remove the cover from the server:
 - a. Loosen the captive screw on the rear of the cover.
 - b. Disengage the tabs on the sides of the cover from the matching slots on the sides of the chassis.
 - c. Slide the cover toward the rear of the server, and lift the cover off the server.
2. Align the right shipping bracket with the rear of the server so that the notched end faces away from the rear of the server **1**. Make sure that the right (R) or left (L) marking on the bracket faces the server chassis.
3. Insert the two tabs on the shipping bracket into the two holes in the rear of the server chassis **1** and align the screw hole in the bracket with the screw hole in the chassis.
4. Secure the bracket with one shipping bracket screw **2**.
5. Repeat the steps for the other shipping bracket.
6. Replace the server cover and tighten the captive screw.



Lift the server onto the rails and slide the server to the rear of the rack cabinet until the front rack latches click closed.



If you move the rack cabinet with the server installed, or if the rack cabinet is installed in a vibration-prone area, secure the server to the rack cabinet with one M6 screw in the top hole on each front rail bracket.

Secure any cables with the cable straps and cable ties that come with the rail kit.

To remove the server from the rack cabinet, press down on the rack latches and slide the server from the rack cabinet. Store this information with the server documentation for future use.

First Edition (September 2006)

IBM is a trademark of International Business Machines Corporation in the United States, other countries, or both.

© **Copyright International Business Machines Corporation 2006. All rights reserved.**

US Government Users Restricted Rights – Use, duplication or disclosure restricted by GSA ADP Schedule Contract with IBM Corp.

(1P) P/N: 42D8412

