

Rack mounting instructions

Review the documentation that comes with your rack cabinet for safety and cabling information. When installing your device in a rack cabinet, consider the following:

- Ensure the room air temperature is below 35°C (95°F).
- Do not block any air vents, usually 15 cm (6 in.) of air space provides proper airflow.
- Plan the device installation starting from the bottom of the rack.
- Install the heaviest device in the bottom of the rack.
- Do not extend more than one device out of the rack at the same time.
- Remove the rack doors and side panels to provide easier access during installation.
- Connect all power cords to properly wired and grounded electrical outlets.
- Take precaution to prevent overloading the power outlets when you install multiple devices in a rack.



Use safe practices when lifting.



≥18 kg (39.7 lbs)



≥32 kg (70.5 lbs)



≥55 kg (121.2 lbs)



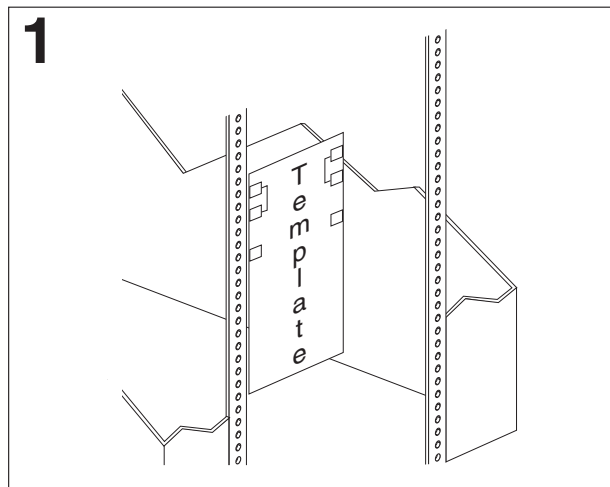
Do not place any object weighing more than 50 kg (110 lbs) on top of rack-mounted devices.



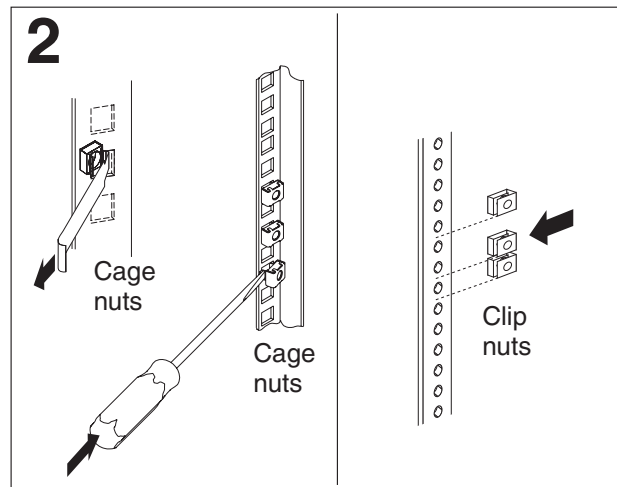
>50 kg (110 lbs)

You will need a flat-blade and a Phillips screwdriver during the installation. The following is a list of items that come with your option. If any items are missing or damaged, contact your place of purchase.

- | | | |
|--------------------------|---------------------------|-------------------|
| • Cable clamps (10) | • Cage nuts (10) | • Hinge pin |
| • Cable-management arm | • Clip nuts (10) | • M6 screws (10) |
| • Cable-retainer bracket | • Cage-nut-insertion tool | • M4 screws (10) |
| • Cable straps (6) | • Hinge bracket | • Slide rails (2) |



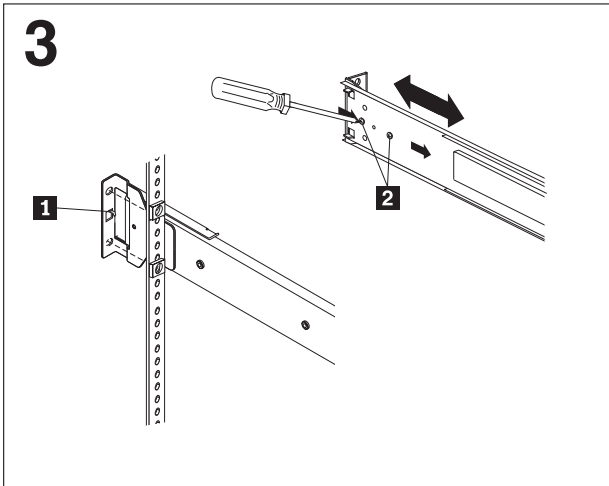
Use the attached stickers to mark the holes on the front and rear of the rack as indicated by the arrows on the attached template.



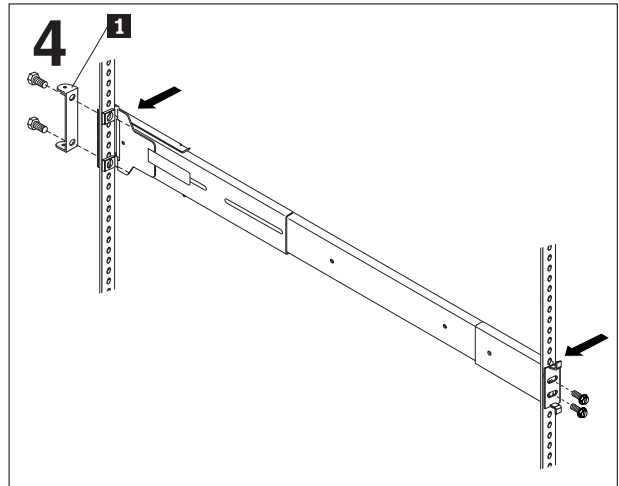
Install cage nuts or clip nuts as required for your rack. Use the cage-nut-insertion tool or a flat-blade screwdriver to install cage nuts.

© Copyright International Business Machines Corporation 2002. All rights reserved.

Note to U.S. Government Users Restricted Rights — Use, duplication or disclosure is restricted by GSA ADP Schedule Contract with IBM Corp.

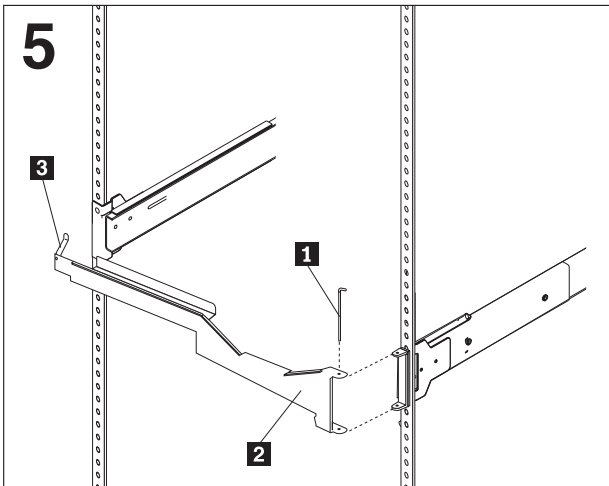


Use the tab **1** on the rear of one of the slide rails to align the slide rail to the rear of the rack. If it is necessary to adjust the length of the slide rail, loosen the screws **2** on the rear of the rail.



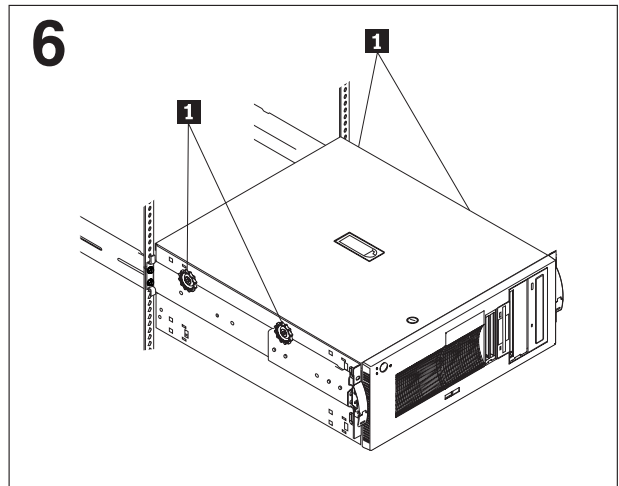
Use two M6 screws to bolt the slide rail to the front of the rack (left-front of rack shown in this step); then, use two M6 screws to bolt the slide rail and hinge bracket **1** on the right-rear of the rack.

If you loosened the screws to adjust the length of the rail, tighten them now; then, repeat step 3 and step 4 for the other slide rail without a hinge bracket.



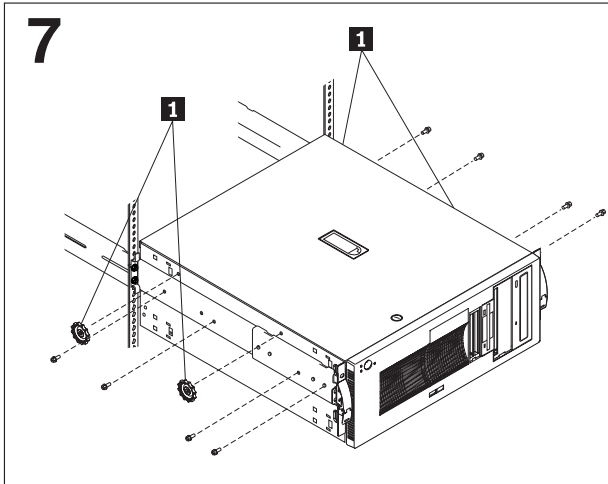
Use the hinge pin **1** to attach the cable-management arm **2** to the hinge bracket.

Note: Make sure that the lever **3** is in the horizontal position inside the rack to prevent the cables from touching the rear door of the rack.



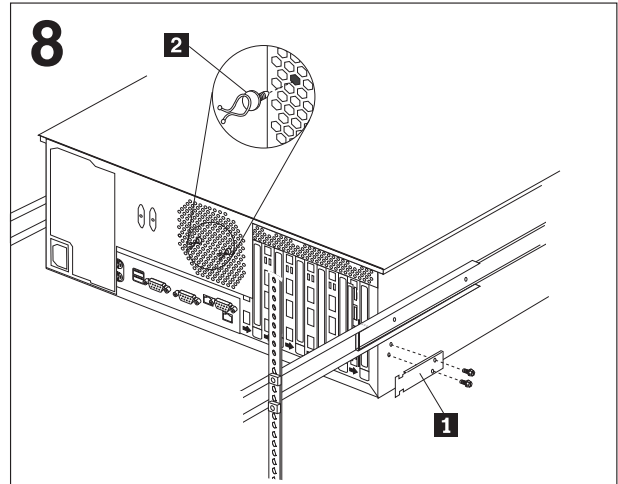
Fully extend the slide rails out of the rack; then, lift the system above the rails and rest the rack-support wheels **1** on the slide rails.

Note: To avoid injury, do not place your fingers around the rack-support wheels **1** when lowering the system onto the rails.

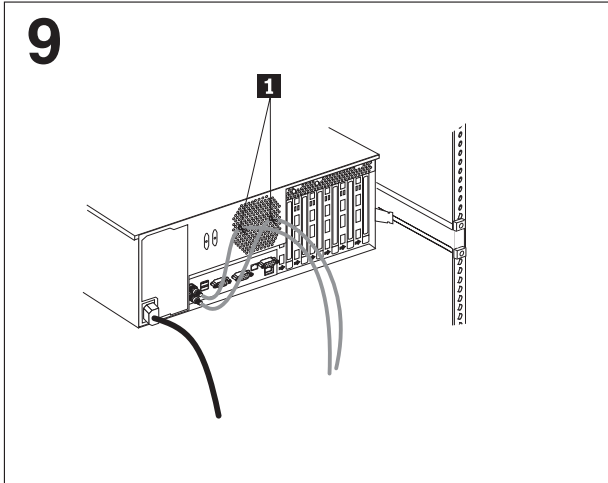


Use M4 screws to secure the system to the rails. The number of screws needed varies by system; use as many screws as there are threaded holes in the side of the system that line up with the rails (typically three or four screws per side).

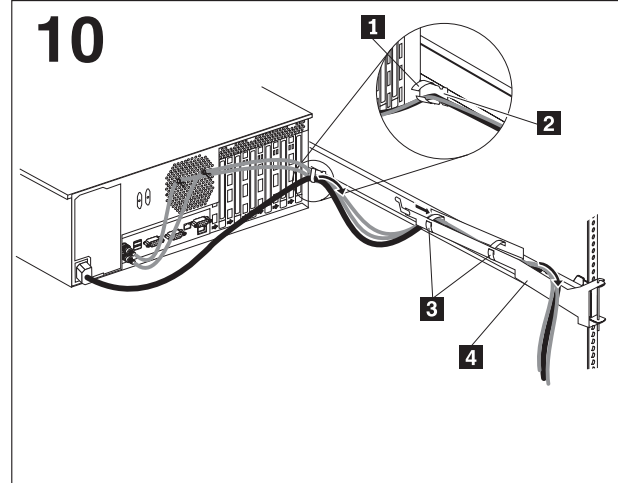
Remove the rack-support wheels **1** and store them in a safe place.



Use two M4 screws to install the cable-retainer bracket **1** on the right-rear of the system; then, install the cable clamps **2**.

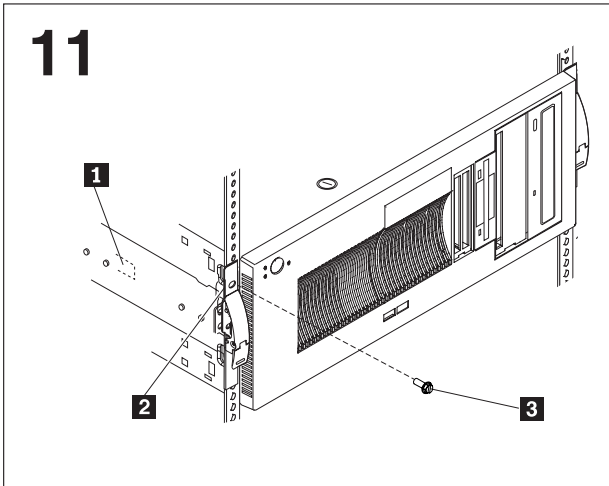


Attach the power, keyboard, mouse, and monitor cables (if required) to the system and route them through the cable clamps **1**; then, attach all other required cables to the system.



Use a cable strap **1** to attach all of the cables to the cable-retainer bracket **2** on the system; then, route the cables through the cable-management arm **4**.

Use cable straps **3** to secure cables to the cable-management arm.



Press in on the safety latch **1** and slide the system into the rack until the release latches **2** snap into place; then, insert the M6 screws **3** through the release-latch-bracket assembly.

Note: Inserting the M6 screws **3** is optional, unless you are moving the rack or the rack is located in a vibration-prone area.

Refer to your system documentation to complete your installation. Store this information with your system documentation for future use.

Part Number: 59P2111
Printed in the U.S.A.



1P59P2111