

IntelliStation Z Pro  
Type 6223



# User's Guide



IntelliStation Z Pro  
Type 6223



# User's Guide

**Note:**

Before using this information and the product it supports, read the information in Appendix B, "Notices," on page 105 and the warranty information in the *Installation Guide*.

**First Edition (September 2004)**

**© Copyright International Business Machines Corporation 2004. All rights reserved.**

US Government Users Restricted Rights – Use, duplication or disclosure restricted by GSA ADP Schedule Contract with IBM Corp.

---

# Contents

<b>Safety</b> . . . . .	vii
<b>Chapter 1. Introducing the IntelliStation Z Pro computer.</b> . . . . .	1
Related documentation . . . . .	1
Notices and statements used in this document. . . . .	2
Features and specifications. . . . .	3
What your computer offers . . . . .	4
Software. . . . .	4
Preinstalled software . . . . .	5
Software on CD . . . . .	6
Software available on the World Wide Web . . . . .	6
Reliability, availability, and serviceability features . . . . .	7
<b>Chapter 2. Operating the computer</b> . . . . .	9
Controls, LEDs, and connectors . . . . .	9
Turning on the computer . . . . .	10
Using preinstalled software . . . . .	11
Running the operating-system setup program . . . . .	12
Installing other operating systems . . . . .	12
Viewing the license agreement . . . . .	13
Registering your computer. . . . .	13
Creating an emergency recovery-repair diskette in Windows . . . . .	13
Creating an IBM Enhanced Diagnostics diskette in Windows . . . . .	14
Using video features . . . . .	15
Video device drivers . . . . .	15
Changing monitor settings. . . . .	15
Using audio features . . . . .	16
Using security features . . . . .	16
Anti-intrusion features . . . . .	17
Component protection . . . . .	17
Data protection . . . . .	17
Locking the keyboard . . . . .	17
Updating system programs . . . . .	18
Managing your computer . . . . .	18
Shutting down the operating system . . . . .	19
Turning off the computer . . . . .	19
<b>Chapter 3. Configuring the computer</b> . . . . .	21
Using the Configuration/Setup Utility program . . . . .	22
Starting the Configuration/Setup Utility program . . . . .	22
Configuration/Setup Utility menu choices . . . . .	22
Passwords . . . . .	25
Using the Boot Menu program . . . . .	26
Enabling the Broadcom NetXtreme Gigabit Ethernet Boot Agent. . . . .	26
Using the Adaptec HostRAID configuration programs . . . . .	26
Using the Adaptec RAID Configuration Utility programs (for Serial ATA RAID) . . . . .	27
Using the SCSISelect Utility program (for SCSI RAID) . . . . .	28
Using ServeRAID Manager . . . . .	29
Configuring the controller . . . . .	29
Viewing the configuration . . . . .	30
Configuring the Gigabit Ethernet controller. . . . .	31
Using the SCSISelect Utility program (some models) . . . . .	31
Starting the SCSISelect Utility program . . . . .	31

SCSISelect menu choices . . . . .	31
<b>Chapter 4. Installing options . . . . .</b>	<b>33</b>
Installation guidelines . . . . .	33
System reliability considerations . . . . .	33
Handling static-sensitive devices . . . . .	33
Installing options in your computer. . . . .	34
Major components of your computer . . . . .	34
System-board option connectors . . . . .	35
System-board internal connectors . . . . .	36
System-board external connectors . . . . .	37
Removing the side cover . . . . .	38
Removing the bezel . . . . .	39
Installing an adapter . . . . .	39
Cabling an optional SCSI adapter . . . . .	43
Installing a drive . . . . .	44
Installing memory modules . . . . .	54
Installing a second microprocessor . . . . .	57
Installing an external SCSI cable . . . . .	61
Installing a security rope clip . . . . .	62
Replacing the bezel . . . . .	63
Replacing the side cover . . . . .	64
Connecting external options . . . . .	64
Input/output connectors . . . . .	65
Audio connectors . . . . .	66
Auxiliary-device (pointing-device) connector . . . . .	66
Ethernet (RJ-45) connector . . . . .	66
IEEE 1394A (FireWire) connector . . . . .	67
Keyboard connector . . . . .	67
Parallel connector . . . . .	67
Serial connectors . . . . .	68
Ultra320 SCSI connector . . . . .	68
Universal Serial Bus connectors . . . . .	68
Video connector . . . . .	69
<b>Chapter 5. Solving problems . . . . .</b>	<b>71</b>
Diagnostic tools overview . . . . .	71
Power-on self-test (POST). . . . .	73
POST beep codes . . . . .	73
POST error messages . . . . .	75
Diagnostic programs and error messages . . . . .	80
Text messages . . . . .	81
Starting the diagnostic programs and viewing the test log . . . . .	81
Diagnostic error message tables . . . . .	82
Small computer system interface (SCSI) messages . . . . .	88
PC-Doctor for Windows. . . . .	88
Troubleshooting charts . . . . .	88
CD-ROM drive problems . . . . .	89
Diskette drive problems. . . . .	89
General problems . . . . .	89
Hard disk drive problems . . . . .	90
Intermittent problems. . . . .	90
Keyboard, mouse, or pointing-device problems . . . . .	90
Memory problems . . . . .	91
Microprocessor problems . . . . .	91
Monitor problems . . . . .	91

Option problems . . . . .	92
Parallel port problems . . . . .	93
Power problems . . . . .	93
Printer problems . . . . .	93
Serial port problems . . . . .	94
Software problems . . . . .	94
Universal Serial Bus (USB) port problems . . . . .	94
System-board error LEDs . . . . .	95
Troubleshooting the Ethernet controller . . . . .	96
Recovering your operating system and preinstalled software . . . . .	96
Recovering the operating system . . . . .	96
Recovering or installing device drivers . . . . .	97
Using the IBM Enhanced Diagnostics diskette . . . . .	97
Using the recovery-repair diskette in Windows . . . . .	97
Updating (flash-updating) the BIOS code on the computer . . . . .	98
Recovering from a POST/BIOS update failure . . . . .	99
Erasing a lost or forgotten password (clearing CMOS) . . . . .	100
Replacing the battery . . . . .	101
<b>Appendix A. Getting help and technical assistance . . . . .</b>	<b>103</b>
Before you call . . . . .	103
Using the documentation . . . . .	103
Getting help and information from the World Wide Web . . . . .	104
Software service and support . . . . .	104
Hardware service and support . . . . .	104
<b>Appendix B. Notices . . . . .</b>	<b>105</b>
Edition notice . . . . .	105
Trademarks . . . . .	106
Important notes . . . . .	107
Product recycling and disposal . . . . .	108
Battery return program . . . . .	108
Electronic emission notices . . . . .	108
Federal Communications Commission (FCC) statement . . . . .	108
Industry Canada Class A emission compliance statement . . . . .	109
Australia and New Zealand Class A statement . . . . .	109
United Kingdom telecommunications safety requirement . . . . .	109
European Union EMC Directive conformance statement . . . . .	109
Taiwanese Class A warning statement . . . . .	110
Chinese Class A warning statement . . . . .	110
Japanese Voluntary Control Council for Interference (VCCI) statement . . . . .	110
Power cords . . . . .	110
<b>Index . . . . .</b>	<b>113</b>





# Safety

Before installing this product, read the Safety Information.

قبل تركيب هذا المنتج، يجب قراءة الملاحظات الأمنية

Antes de instalar este produto, leia as Informações de Segurança.

在安装本产品之前，请仔细阅读 **Safety Information** (安全信息)。

安裝本產品之前，請先閱讀「安全資訊」。

Prije instalacije ovog produkta obavezno pročitajte Sigurnosne Upute.

Před instalací tohoto produktu si přečtěte příručku bezpečnostních instrukcí.

Læs sikkerhedsforskrifterne, før du installerer dette produkt.

Lees voordat u dit product installeert eerst de veiligheidsvoorschriften.

Ennen kuin asennat tämän tuotteen, lue turvaohjeet kohdasta Safety Information.

Avant d'installer ce produit, lisez les consignes de sécurité.

Vor der Installation dieses Produkts die Sicherheitshinweise lesen.

Πριν εγκαταστήσετε το προϊόν αυτό, διαβάστε τις πληροφορίες ασφάλειας (safety information).

לפני שתתקינו מוצר זה, קראו את הוראות הבטיחות.

A termék telepítése előtt olvassa el a Biztonsági előírásokat!

Prima di installare questo prodotto, leggere le Informazioni sulla Sicurezza.

製品の設置の前に、安全情報をお読みください。

본 제품을 설치하기 전에 안전 정보를 읽으십시오.

Пред да се инсталира овој продукт, прочитајте информацијата за безбедност.

Les sikkerhetsinformasjonen (Safety Information) før du installerer dette produktet.

Przed zainstalowaniem tego produktu, należy zapoznać się z książką "Informacje dotyczące bezpieczeństwa" (Safety Information).

Antes de instalar este produto, leia as Informações sobre Segurança.

Перед установкой продукта прочтите инструкции по технике безопасности.

Pred inštaláciou tohto zariadenia si pečítajte Bezpečnostné predpisy.

Pred namestitvijo tega proizvoda preberite Varnostne informacije.

Antes de instalar este producto, lea la información de seguridad.

Läs säkerhetsinformationen innan du installerar den här produkten.

**Statement 1:**



**DANGER**

**Electrical current from power, telephone, and communication cables is hazardous.**

**To avoid a shock hazard:**

- **Do not connect or disconnect any cables or perform installation, maintenance, or reconfiguration of this product during an electrical storm.**
- **Connect all power cords to a properly wired and grounded electrical outlet.**
- **Connect to properly wired outlets any equipment that will be attached to this product.**
- **When possible, use one hand only to connect or disconnect signal cables.**
- **Never turn on any equipment when there is evidence of fire, water, or structural damage.**
- **Disconnect the attached power cords, telecommunications systems, networks, and modems before you open the device covers, unless instructed otherwise in the installation and configuration procedures.**
- **Connect and disconnect cables as described in the following table when installing, moving, or opening covers on this product or attached devices.**

**To Connect:**

1. Turn everything OFF.
2. First, attach all cables to devices.
3. Attach signal cables to connectors.
4. Attach power cords to outlet.
5. Turn device ON.

**To Disconnect:**

1. Turn everything OFF.
2. First, remove power cords from outlet.
3. Remove signal cables from connectors.
4. Remove all cables from devices.

**Statement 2:**



**CAUTION:**

When replacing the lithium battery, use only IBM Part Number 33F8354 or an equivalent type battery recommended by the manufacturer. If your system has a module containing a lithium battery, replace it only with the same module type made by the same manufacturer. The battery contains lithium and can explode if not properly used, handled, or disposed of.

*Do not:*

- Throw or immerse into water
- Heat to more than 100°C (212°F)
- Repair or disassemble

Dispose of the battery as required by local ordinances or regulations.

**Statement 3:**



**CAUTION:**

When laser products (such as CD-ROMs, DVD drives, fiber optic devices, or transmitters) are installed, note the following:

- Do not remove the covers. Removing the covers of the laser product could result in exposure to hazardous laser radiation. There are no serviceable parts inside the device.
- Use of controls or adjustments or performance of procedures other than those specified herein might result in hazardous radiation exposure.

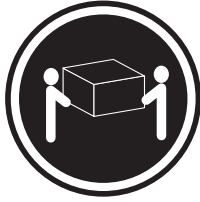


**DANGER**

Some laser products contain an embedded Class 3A or Class 3B laser diode. Note the following.

Laser radiation when open. Do not stare into the beam, do not view directly with optical instruments, and avoid direct exposure to the beam.

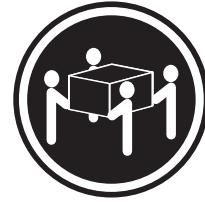
**Statement 4:**



≥ 18 kg (39.7 lb)



≥ 32 kg (70.5 lb)



≥ 55 kg (121.2 lb)

**CAUTION:**

**Use safe practices when lifting.**

**Statement 5:**



**CAUTION:**

The power control button on the device and the power switch on the power supply do not turn off the electrical current supplied to the device. The device also might have more than one power cord. To remove all electrical current from the device, ensure that all power cords are disconnected from the power source.



Statement 8:



**CAUTION:**

Never remove the cover on a power supply or any part that has the following label attached.



Hazardous voltage, current, and energy levels are present inside any component that has this label attached. There are no serviceable parts inside these components. If you suspect a problem with one of these parts, contact a service technician.

Statement 23



**CAUTION:**

Do not place any object weighing more than 50 kg (110 lb) on top of rack-mounted devices.



>50 kg (110 lb)

**WARNING:** Handling the cord on this product or cords associated with accessories sold with this product, will expose you to lead, a chemical known to the State of California to cause cancer, and birth defects or other reproductive harm. **Wash hands after handling.**

**ADVERTENCIA:** El contacto con el cable de este producto o con cables de accesorios que se venden junto con este producto, pueden exponerle al plomo, un elemento químico que en el estado de California de los Estados Unidos está considerado como un causante de cancer y de defectos congénitos, además de otros riesgos reproductivos. **Lávese las manos después de usar el producto.**

**Important:**

All caution and danger statements in this documentation begin with a number. This number is used to cross reference an English caution or danger statement with translated versions of the caution or danger statement in the *IBM Safety Information* document.

For example, if a caution statement begins with a number 1, translations for that caution statement appear in the *IBM Safety Information* document under statement 1.

Be sure to read all caution and danger statements in this documentation before performing the instructions. Read any additional safety information that comes with your computer or optional device before you install the device.

---

## Chapter 1. Introducing the IntelliStation Z Pro computer

The IBM® IntelliStation® Z Pro Type 6223 incorporates many of the latest advances in computing technology and can be expanded and upgraded as your needs change.

You can obtain up-to-date information about your computer and other IBM computer products at <http://www.ibm.com/pc/intellistation/>.

**Note:** The illustrations in this document might differ slightly from your hardware.

---

### Related documentation

This *User's Guide* provides general information about your computer, including information about features, how to configure the computer, how to install options, and how to solve problems and get help. In addition to this *User's Guide*, the following documentation comes with your computer.

- *Installation Guide*

This printed document contains setup and installation instructions.

- *Safety Information*

This document is in Portable Document Format (PDF) on the IBM *IntelliStation Documentation* CD. It contains translated caution and danger statements. Each caution and danger statement that appears in the documentation has a number that you can use to locate the corresponding statement in your language in the *Safety Information* document.

- *Adaptec SCSI documentation*

This document is in PDF on the *Device Drivers* CD. It contains information and instructions for installing and configuring small computer system interface (SCSI) device drivers and devices.

- Readme files on the *Device Drivers* CD

Several readme files on this CD contain information about the preinstalled device drivers. Other readme files on this CD contain information about the various adapters and devices that might be installed in or attached to your computer.

- IBM *IntelliStation Documentation* CD

This CD contains all of the IBM IntelliStation Z Pro Type 6223 documents in Portable Document Format (PDF).

The *Hardware Maintenance Manual*, which is in PDF, is at <http://www.ibm.com/pc/support/>. It contains information for trained service technicians.

Depending on your computer model, additional documentation might be included on the IBM *IntelliStation Documentation* CD.

Your computer might have features that are not described in the documentation that you received with the computer. The documentation might be updated occasionally to include information about those features, or technical updates might be available to provide additional information that is not included in your computer documentation. These updates are available from the IBM Web site. Complete the following steps to check for updated documentation and technical updates:

1. Go to <http://www.ibm.com/pc/support/>.
2. In the **Learn** section, click **Online publications**.

3. On the “Online publications” page, in the **Brand** field, select **IntelliStation**.
4. In the **Family** field, select **IntelliStation Z Pro**.
5. Click **Continue**.

---

## Notices and statements used in this document

The caution and danger statements that appear in this document are also in the multilingual *Safety Information* document, which is on the IBM *IntelliStation Documentation* CD. Each statement is numbered for reference to the corresponding statement in the *Safety Information* document.

The following notices and statements are used in this document:

- **Notes:** These notices provide important tips, guidance, or advice.
- **Important:** These notices provide information or advice that might help you avoid inconvenient or problem situations.
- **Attention:** These notices indicate potential damage to programs, devices, or data. An attention notice is placed just before the instruction or situation in which damage could occur.
- **Caution:** These statements indicate situations that can be potentially hazardous to you. A caution statement is placed just before the description of a potentially hazardous procedure step or situation.
- **Danger:** These statements indicate situations that can be potentially lethal or extremely hazardous to you. A danger statement is placed just before the description of a potentially lethal or extremely hazardous procedure step or situation.



## Features and specifications

The following table provides a summary of the features and specifications of your computer. Depending on your model, some features might not be available, or some specifications might not apply.

Table 1. Features and specifications

<p><b>Microprocessor:</b></p> <ul style="list-style-type: none"> <li>• Supports up to two Intel® Xeon microprocessors</li> <li>• 1 MB Level-2 cache</li> <li>• 800 MHz front-side bus (FSB)</li> </ul> <p><b>Memory:</b></p> <ul style="list-style-type: none"> <li>• Minimum: 512 MB</li> <li>• Maximum: 8 GB (depending on your configuration)</li> <li>• Type: PC2-3200 double-data-rate 2 (DDR2) registered</li> <li>• Connectors: six dual inline memory module (DIMM) connectors</li> </ul> <p><b>Internal Drives:</b></p> <ul style="list-style-type: none"> <li>• Hard disk drive: SCSI or Serial ATA (SATA)</li> <li>• One of the following optical drives: <ul style="list-style-type: none"> <li>– CD-ROM: IDE</li> <li>– DVD/CD-RW combo: IDE</li> <li>– CD-RW: IDE</li> </ul> </li> </ul> <p><b>Expansion bays:</b></p> <ul style="list-style-type: none"> <li>• Three slim-high 3.5-inch drive bays (one hard disk drive installed in some models)</li> <li>• Two half-high 5.25-inch bays (optical drive installed in one bay)</li> <li>• One slim-high 3.5-inch removable-media or hard disk drive bay</li> </ul> <p><b>PCI expansion slots:</b></p> <ul style="list-style-type: none"> <li>• Two 33 MHz/32-bit PCI, 5.0 V signaling</li> <li>• Two 100 MHz/64-bit PCI-X slots, 3.3 V signaling</li> <li>• One 133 MHz/64-bit PCI-X slot, 3.3 V signaling</li> <li>• One PCI Express x16 slot</li> </ul> <p><b>Power supply:</b></p> <p>One 530 watts (115-230 V ac)</p> <p><b>Cooling:</b></p> <p>Four speed-controlled fans</p>	<p><b>Integrated functions:</b></p> <ul style="list-style-type: none"> <li>• Broadcom 5721 10/100/1000 Ethernet controller with RJ-45 Ethernet connector</li> <li>• Integrated RAID capability</li> <li>• Integrated SCSI controller with two Ultra320 SCSI ports (one internal, one optional external)</li> <li>• Two serial ports</li> <li>• One parallel port</li> <li>• Dual port Serial ATA controller</li> <li>• Two IEEE 1394A (FireWire) ports (four-pin on front, six-pin on rear)</li> <li>• Six Universal Serial Bus (USB) ports (two on front and four on rear)</li> <li>• Keyboard port</li> <li>• Mouse port</li> <li>• Audio ports <ul style="list-style-type: none"> <li>– Line out (front and rear)</li> <li>– Mic (front and rear)</li> <li>– Line in (rear only)</li> </ul> </li> <li>• ATA-100 single-channel IDE controller</li> </ul> <p><b>Video adapter:</b> (depending on your model)</p> <ul style="list-style-type: none"> <li>• NVIDIA Quadro NVS 280 (DMS-59), PCI Express x16, with 64 MB DDR synchronous dynamic random access memory (SDRAM) video memory and dual analog connectors (or dual digital monitor capability with the purchase of an additional pigtail cable)</li> <li>• NVIDIA Quadro FX 1300 (DVI-I), PCI Express x16, with 128 MB DDR SDRAM video memory with dual DVI-I connectors</li> <li>• NVIDIA Quadro FX 3400 (DVI-I), PCI Express x16, with 256 MB GDDR3 SDRAM video memory with dual DVI-I connectors</li> </ul> <p><b>Electrical input:</b></p> <ul style="list-style-type: none"> <li>• Sine-wave input (50 or 60 Hz) required</li> <li>• Input voltage and frequency ranges automatically selected</li> <li>• Input voltage low range: <ul style="list-style-type: none"> <li>– Minimum: 90 V ac</li> <li>– Maximum: 137 V ac</li> </ul> </li> <li>• Input voltage high range: <ul style="list-style-type: none"> <li>– Minimum: 180 V ac</li> <li>– Maximum: 265 V ac</li> </ul> </li> <li>• Input kilovolt-amperes (kVA) approximately: <ul style="list-style-type: none"> <li>– Minimum: 0.24 kVA</li> <li>– Maximum: 0.86 kVA</li> </ul> </li> </ul>	<p><b>Heat output:</b></p> <p>Approximate heat output in British thermal units (Btu) per hour:</p> <ul style="list-style-type: none"> <li>• Minimum configuration: 787 Btu (230 watts)</li> <li>• Maximum configuration: 2780 Btu (815 watts)</li> </ul> <p><b>Environment:</b></p> <ul style="list-style-type: none"> <li>• Air temperature: <ul style="list-style-type: none"> <li>– Computer on: 10° to 35°C (50° to 95°F). Altitude: 0 to 2134 m (7000 ft)</li> <li>– Computer off: -40° to +60°C (-40° to 140°F). Maximum altitude: 2133 m (7000 ft)</li> </ul> </li> <li>• Humidity (operating and storage): 8% to 80%</li> </ul> <p><b>Acoustical noise emissions:</b></p> <ul style="list-style-type: none"> <li>• Sound power, idle: 5.0 bel</li> <li>• Sound power, operating: 5.3 bel</li> </ul> <p><b>Size:</b></p> <ul style="list-style-type: none"> <li>• Height: 469.9 mm (18.5 in.)</li> <li>• Depth: 495.3 mm (19.5 in.)</li> <li>• Width: 215.9 mm (8.5 in.)</li> <li>• Weight: 16.2 kg (36 lb) to 22.6 kg (50 lb) depending upon configuration</li> </ul> <p><b>Notes:</b></p> <ol style="list-style-type: none"> <li>1. Power consumption and heat output vary depending on the number and type of optional features installed and the power-management optional features in use.</li> <li>2. These levels were measured in controlled acoustical environments according to the procedures specified by the American National Standards Institute (ANSI) S12.10 and ISO 7779 and are reported in accordance with ISO 9296. Actual sound-pressure levels in a given location might exceed the average values stated because of room reflections and other nearby noise sources. The declared sound-power levels indicate an upper limit, below which a large number of computers will operate.</li> </ol>
---	--	---

---

## What your computer offers

Your computer uses the following features and technologies:

- **Multiple microprocessor capability**

Your computer can be upgraded to a symmetric multiprocessing (SMP) computer through a microprocessor upgrade.

- **PCI Express, x16, graphics**

Your computer comes with a graphics adapter installed in the PCI Express x16 slot (slot 1). This high-performance adapter supports high resolutions and includes many performance-enhancing features for your operating-system environment.

- **Large system-memory capacity**

Your computer supports up to 8 GB (when using 2 GB double-rank DIMMs) of system memory. The memory controller provides error correcting code (ECC) support for up to four industry-standard PC2-3200, 1.8 V, 184-pin, 400 megahertz (MHz) (bus speed) registered, double-data-rate (DDR), synchronous dynamic random access memory (SDRAM) dual inline memory modules (DIMMs).

**Note:** The Microsoft® Windows® XP operating systems recognize and support a maximum of 4 GB of system memory.

- **Systems-management capabilities**

Your computer comes with features that a network administrator or server can use to remotely manage and control the computer. These features include Wake on LAN®, Remote Administration, and IBM Director Agent. See “Managing your computer” on page 18 for more information.

The memory controller in your computer provides Chipkill™ memory protection if the DIMMs are 1 GB or larger. Chipkill memory protection is a technology that protects the computer from a single chip failure on a DIMM.

- **Integrated network support**

Your computer comes with an integrated Ethernet controller, which supports connection to a 10-Mbps, 100-Mbps, or 1-Gbps network. For more information, see “Configuring the Gigabit Ethernet controller” on page 31. The controller supports Wake on LAN technology.

---

## Software

Your computer comes with Microsoft Windows<sup>1</sup> XP Professional or Red Hat Enterprise Linux WS (Workstation) preinstalled and a variety of software, including application programs, diagnostic tools, and device drivers.

**Important:** The software, other than the operating system, is licensed under the terms of the IBM International License Agreement for Non-Warranted Programs. Use of your computer signifies acceptance of this license agreement. For detailed instructions about viewing the license agreement, see “Viewing the license agreement” on page 13.

---

1. The Microsoft Certificate of Authenticity is your assurance that the Windows software in your computer is legally licensed from Microsoft Corporation.

## Preinstalled software

In addition to the operating system, your preinstalled software includes some or all of the following programs. Some programs might require setup and configuration before use.

- **Access IBM Message Center**

This program displays messages about software that is preinstalled on your computer. Access IBM Message Center also provides messages about new updates that are available to keep your software current.

- **Adobe Acrobat Reader**

You can use this program to read files in Portable Document Format (PDF), including your online documentation. You can download the most current versions of Adobe Acrobat Reader for other languages and operating systems from the Adobe Web site at <http://www.adobe.com>.

- **Device drivers**

Device drivers for factory-installed features are preinstalled on your computer. The latest device drivers are also available at <http://www.ibm.com/pc/support/>.

- **IBM Drive Letter Access**

This software comes on models with CD-RW drives or DVD/CD-RW combo drives only. You can use this program to copy files to CD-R or CD-RW media.

- **IBM Product Registration**

You can use this program to register your computer with IBM. When you register your computer with IBM, information is entered into a database so that you can be contacted in case of a recall or other problems. Some locations offer extended privileges and services to registered users.

- **IBM RecordNow**

This software comes on models with CD-RW drives or DVD/CD-RW combo drives only. You can use this program to record data or audio to CD-R or CD-RW media or to create copies of existing CDs.

- **WinDVD**

This software comes on models with DVD read capability. You can use this program to play DVDs.

- **DVDCreator**

This software comes on models with DVD write capability. You can use this program to create DVDs.

- **Norton AntiVirus for IBM**

You can use this program to detect and remove viruses from your computer.

- **Online Books**

You can use this program to access documentation that contains detailed information about your computer.

- **PC-Doctor**

This program contains diagnostic tools that you can use within your operating system. In addition to isolating hardware problems, these tools provide information about your computer operating environment and some software components. Support documentation is built into the help system.

- **Product Recovery program**

You can use this program to recover the operating system and other software programs in the event of a system failure.

**Attention:** The Product Recovery program is on a hidden, hard disk drive partition. Do not delete or otherwise destroy this partition.

You must have Internet access to use some of these programs. For more information about connecting to the Internet, see the operating-system documentation that comes with your computer.

See “Using preinstalled software” on page 11 for more information about your preinstalled software. For more information about using the recovery programs and solving problems, see Chapter 5, “Solving problems,” on page 71.

**Important:**

1. You can reinstall the device drivers and applications that come with your computer from the directories on your hard disk. For more information about recovering the software, see “Recovering your operating system and preinstalled software” on page 96.
2. The device drivers and some programs are also available at <http://www.ibm.com/pc/support/> and on the *Device Drivers* CD.

## Software on CD

In addition to your IBM-preinstalled programs and device drivers, additional software is provided on the *Device Drivers* CD or other CDs. You decide which programs to install according to your needs.

## Software available on the World Wide Web

The following software are available from the IBM Web site:

- **IBM Director Agent**

You can use IBM Director Agent to view detailed information about your hardware and software, set up alerts, monitor a variety of system resources, and manage your asset security. IBM Director Agent streamlines and automates personal computer (PC) systems-management and support tasks, such as asset deployment and tracking.

- **Remote Deployment Manager**

Remote Deployment Manager (RDM) is a graphical, server-based system deployment program that enables mass unattended installations of operating systems, software images, device drivers, and BIOS code updates to remote systems. When used with the Wake on LAN feature, Remote Deployment Manager can remotely turn on your computer so that the installation can be done while the computer is not being used.

- **System Migration Assistant**

System administrators can use System Migration Assistant (SMA) to remotely transfer configurations, profile settings, printer device drivers, and files from an IBM or non-IBM computer to supported IBM systems.

See the product documentation for these tools to determine whether your operating system supports this software. Complete the following steps to download any of the tools or to get information about them:

1. Go to <http://www.ibm.com/pc/support/> and select your country.
2. Click the **Products & services** tab at the top of the page.
3. Under **Servers**, click **Intel processor-based**.
4. From the topics on the left, click **Systems Management**.

5. Scroll down and click a product name to get more details about the product. To download a product, click **Systems Management Downloads** in the **Download** category.

---

## Reliability, availability, and serviceability features

Three important computer design features are reliability, availability, and serviceability (RAS). The RAS features help to ensure the integrity of the data that is stored in your computer, the availability of the computer when you need it, and the ease with which you can diagnose and repair problems.

Your computer has the following RAS features:

- 24 hours a day, 7 days a week<sup>2</sup> customer support
- 3-year limited warranty
- Advanced Configuration and Power Interface (ACPI)
- Auto-restart initial program load (IPL) power supply
- Automatic computer restart after a power failure
- Automatic error retry or recovery
- Boot-block recovery
- Built-in, menu-driven configuration and setup programs
- Built-in, menu-driven SCSI configuration programs (some models)
- Diagnostic programs
- Cooling fans with speed-sensing capability
- Error codes and messages
- Error correcting code (ECC) double-data-rate (DDR) synchronous dynamic random access memory (SDRAM) with serial presence detect (SPD)
- Hard disk drive partition-based diagnostic programs
- Integrated Ethernet controller
- Monitoring support for temperatures, voltages, and fan speed
- Power-on self-test (POST)
- Self-Monitoring Analysis and Reporting Technology (SMART) on hard disk drives for early prediction of failures
- Read-only memory (ROM) checksums
- Upgradeable basic input/output system (BIOS) and POST code
- Wake on LAN capability

---

2. Service availability will vary by country. Response time varies; may exclude holidays.



---

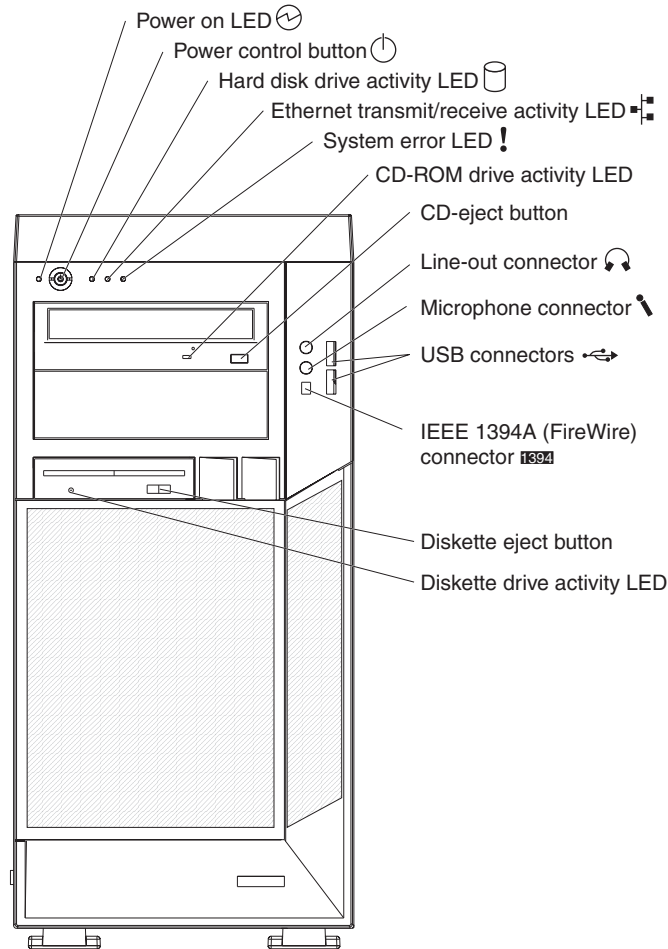
## Chapter 2. Operating the computer

This chapter provides information about how to use your computer.

---

### Controls, LEDs, and connectors

The following illustration shows the controls, LEDs, and front connectors on the IntelliStation Z Pro Type 6223 computer. See “Input/output connectors” on page 65 for an illustration and description of the connectors on the rear of the computer.



#### Power-on LED

When this LED is lit and not flashing, it indicates that the computer is turned on. When this LED is flashing, it indicates that the computer is off and still connected to an ac power source (standby mode).

#### Power-control button

Press this button to turn the computer on or off.

#### Hard disk drive activity LED

When this LED is lit, it indicates that the hard disk drive is in use.

#### Ethernet transmit/receive activity LED

When this LED is flickering, it indicates that there is activity between the computer and the network. There are two of these LEDs, one on the front and one on the rear of the computer.

**Ethernet link status LED**

When this LED is lit, it indicates that there is an active connection on the Ethernet port. This LED is located on the rear of the computer.

**System-error LED**

When this amber LED is lit, it indicates that a system error has occurred. An LED on the system board is also lit to help isolate the error.

**CD-ROM drive activity LED**

When this LED is lit, it indicates that the CD-ROM drive is in use.

**CD-eject button**

Press this button to insert a CD into or remove a CD from the CD-ROM drive.

**Line out connector (green)**

Use this connector to send audio signals from the computer to external devices, such as speakers with built-in amplifiers, headphones, multimedia keyboards, or the audio line-in jack on a stereo system.

**Mic connector (pink)**

Use this connector to connect a microphone to your computer when you want to record voices or other sounds on the hard disk. You can also use this connector (and a microphone) with speech recognition software.

**USB connectors**

Use these connectors to connect USB devices to your computer, using redundant Plug and Play technology.

**IEEE 1394A (FireWire) connectors**

Use these connectors (four-pin on the front and six-pin on the rear) to connect FireWire devices, such as digital video cameras and external hard disk drives.

**Diskette-eject button**

Press this button to release a diskette from the diskette drive.

**Diskette drive activity LED**

When this LED is lit, it indicates that the diskette drive is in use.

---

## Turning on the computer

**Note:** When you connect the power cord to the computer and an ac power source, the power-supply fan will run and continue to run when the computer is in standby mode to provide cooling to the power supply.

When the computer is connected to an ac power source but is not turned on, the operating system does not run, and all core logic is shut down; however, the computer can respond to remote requests to turn on the computer. The power-on LED flashes to indicate that the computer is connected to an ac power source but is not turned on.

**Notes:**

1. Turn on all external devices, such as the monitor, before turning on the computer.
2. The power-on LED on the front of the computer is lit when the computer is on and while it is being turned on.



Approximately 20 seconds after the computer is connected to ac power, the power-control button becomes active, and you can turn on the computer and start the operating system by pressing the power-control button. The computer can also be turned on in any of the following ways:

- If a power failure occurs while the computer is turned on, the computer will restart automatically when power is restored.
- When you connect the computer to power for the first time, the Wake on LAN feature can turn on the computer. If the computer was previously turned on, it must be turned off correctly for the Wake on LAN feature to turn on the computer.

What you see and hear when you start the computer depends on the features that are installed and the settings in the Configuration/Setup Utility program.

If the power-on self-test (POST) detects a problem, there might be a series of beeps or no beep, and a numeric error message might appear on the screen. Write down any beep series and error code numbers with descriptions, and then see “Troubleshooting charts” on page 88 for an explanation of the error codes.

On a computer running a Windows operating system, the following messages might be displayed briefly during startup:

- To start the Product Recovery Program, Press F11
- Press F1 for Configuration/Setup Utility, Press F12 for Boot Menu
- Press CTRL+A for SCSISelect Utility (some models)

On a computer running the Red Hat Linux operating system, the following messages might be displayed briefly during startup:

- Press F1 for Configuration/Setup Utility
- Press CTRL+A for SCSISelect Utility (some models)

To start the Product Recovery program in Red Hat Linux, watch the screen until the operating system selection menu is displayed and select **IBM Preload Recovery & Diagnostics**.

To use these features, press the applicable function key or keys quickly. The messages appear for only a short time. For more information about these messages, see “Using the Configuration/Setup Utility program” on page 22 and “Using the SCSISelect Utility program (some models)” on page 31.

Use the Configuration/Setup Utility program to configure passwords, PCI adapters, and other options.

The operating system and application programs start from the hard disk. If your computer is attached to a network, the computer will begin attaching to any LANs and remote applications to which you have access. A network administrator can also start your computer remotely to download programs or gather information about computer performance. For more information, see “Wake on LAN” on page 18.

---

## Using preinstalled software

This section provides information to assist you in setting up the preinstalled operating system and describes how to use the programs that come with your computer.

## Running the operating-system setup program

The setup program runs automatically when you start the computer the first time. The program will prompt you to make choices or type information. If you need more information than is provided in this *User's Guide*, see your operating-system manual.

### Important:

1. After turning on your computer for the first time, you must complete the operating-system setup procedure before turning off your computer; otherwise, unexpected results might occur.
2. The setup program might be slightly different from the one described in your operating-system manual. Some choices do not appear because they are preset.
3. During the setup procedure, you must indicate that you accept the license agreement.
4. For Windows operating systems, the registration information will already be displayed in the registration field. If the Product ID number is not already displayed, you must type it. The Product ID number is on a label attached to the computer.

You will need the following information to complete the setup program:

- The documentation that comes with your computer.
- Network information from your network administrator, if your computer is being connected to a network.
- The printer model and port, if a printer is attached directly to your computer.

After the setup procedure is completed and the computer restarts, the desktop opens, and the computer is ready for use.

## Installing other operating systems

Your computer comes with Microsoft Windows XP Professional or Red Hat Enterprise Linux Workstation preinstalled. To install another operating system, follow the instructions in the documentation that comes with the operating system.

**Note:** If you plan to install a Microsoft Windows XP 32-bit operating system on a SCSI drive, you must have a diskette drive attached during installation to be able to install the SCSI device driver.

If you are installing an operating system other than Microsoft Windows XP Professional or Red Hat Enterprise Linux Workstation, follow the instructions in the readme files on the *Device Drivers* CD to install the device drivers. You might also need additional software or device drivers.

**Note:** If you experience problems with the device drivers installed from the *Device Drivers* CD, you can obtain the latest device drivers from <http://www.ibm.com/pc/support/>.

Before installing any operating system, make sure that you obtain the latest updates. Contact the operating-system manufacturer or, if applicable, check the manufacturer's Web site to obtain the updates.

Additional information about operating systems is posted periodically at <http://www.ibm.com/pc/support/>.

## Viewing the license agreement

The IBM International License Agreement for Non-Warranted Programs is viewable from the Access IBM folder. Use of your computer signifies acceptance of this agreement.

Complete the following steps to view the license agreement in Windows XP:

1. From the Windows XP desktop, click **Start → All Programs → Access IBM**.
2. Click **IBM License Agreement**.

For Red Hat Linux, when you start the computer, the License Agreement window opens. To accept the terms of the agreement, click **I Agree**. You can also view the license agreement by clicking the **IBM License Agreement** icon on the desktop.

## Registering your computer

Registering your computer helps IBM provide better service to you. When IBM receives your registration information, the information is placed into a central technical support database. If you need technical assistance, the technical-support representative will have information about your computer. In addition, comments about your computer are reviewed by a team dedicated to customer satisfaction and are taken into consideration in making improvements to IBM computers.

Use one of the following methods to register your computer in Windows:

- From the Windows XP desktop, click **Start → All Programs → IBM Registration** and then follow the instructions. If you do not have access to the Internet, you can use the registration program that starts from the IBM Registration folder to print your registration information and provide your mailing address to IBM for future assistance.
- Register your computer at <http://www.ibm.com/pc/register/>.

For Red Hat Linux, click the **Register PC** icon on the desktop to register your computer on the World Wide Web.

## Creating an emergency recovery-repair diskette in Windows

**Note:** To create and use a diskette, you must add a diskette drive to your computer. To enable a USB diskette drive, follow these steps:

1. Enable the **Legacy USB Support** option under the **Startup Option** menu choice in the Configuration/Setup Utility program.
2. Set your removable media device as the first startup device.
3. Select the removable media device you want to boot from and move it to the top of the Removable Devices list.

At your earliest opportunity, create a recovery-repair diskette and an IBM Enhanced Diagnostics diskette, and store them in a safe place. In the unlikely event that the computer becomes unusable, you can use the recovery-repair diskette to access the Product Recovery program. For more information about using this diskette, see "Using the recovery-repair diskette in Windows" on page 97.

In Windows, you can create a recovery-repair diskette from the c:\ibmtools directory or from the Product Recovery program partition.

Complete the following steps to create a recovery-repair diskette from the c:\ibmtools directory:

1. Start the computer and operating system.
2. Use Windows Explorer to display the directory structure of the hard disk.
3. Open the c:\ibmtools folder.
4. Double-click **rrdisk.bat** and follow the instructions on the screen.

Complete the following steps to create a recovery-repair diskette from the Product Recovery program partition:

1. Shut down the operating system and turn off the computer.
2. Wait for at least 5 seconds; then, press and hold the F11 key while you restart the computer. When a menu appears, release the F11 key.
3. Use one of the following procedures:
  - If a menu is displayed in which you can select an operating system, use the arrow keys to select the operating system that is currently installed, press Enter, and then continue with the next step.
  - If an operating system menu is not displayed, continue with the next step.
4. From the Product Recovery main menu, use the arrow keys to select **System utilities**, and then press Enter.
5. Use the arrow keys to select **Create a Recovery Repair diskette**, and then press Enter.
6. Follow the instructions on the screen.

See “Creating an IBM Enhanced Diagnostics diskette in Windows” for information about how to create an IBM Enhanced Diagnostics diskette.

## Creating an IBM Enhanced Diagnostics diskette in Windows

**Note:** To create and use a diskette, you must add a diskette drive to your computer. To enable a USB diskette drive, follow these steps:

1. Enable the **Legacy USB Support** option under the **Startup Option** menu choice in the Configuration/Setup Utility program.
2. Set your removable media device as the first startup device.
3. Select the removable media device you want to boot from and move it to the top of the Removable Devices list.

The *IBM Enhanced Diagnostics* diskette is a self-starting diagnostics diskette that you can use to test hardware components in your computer. You can create an IBM Enhanced Diagnostics diskette from the Product Recovery program or from the World Wide Web.

Complete the following steps to create an IBM Enhanced Diagnostics diskette from the Product Recovery program partition:

1. Restart the computer and watch the monitor.
2. When the message To start the Product Recovery Program, Press F11 appears, quickly Press F11.
3. Select **System utilities**.
4. Select **Create IBM Enhanced Diagnostics Diskette**.
5. Follow the instructions on the screen.

Complete the following steps to create an IBM Enhanced Diagnostics diskette from the World Wide Web:

1. Go to <http://www.ibm.com>.

2. Click **Support & downloads**.
3. Click **Search technical support**.
4. In the **Enter keyword(s)** field, type diagnostics 6224, and click **Submit**.
5. From the “Search results” page, click the Enhanced Diagnostics item for your computer.
6. On the next page, click the executable file for the Enhanced Diagnostics code to download it (be sure to download the file to a hard disk directory and not to a diskette). You can click the text file to display the readme file.
7. At a command prompt, change to the directory where the file was downloaded.
8. Insert a blank, high-density diskette into the diskette drive.
9. Type *filename a:* where *filename* is the name of the file you downloaded and *a* is the drive letter of the diskette drive; then, press Enter.

The downloaded file is self-extracting and is copied to the diskette. When the copy is completed, store the diskette in a safe place.

For more information, see “Using the IBM Enhanced Diagnostics diskette” on page 97.

---

## Using video features

Your computer has a PCI Express x16 graphics adapter that renders 2D or 3D image quality and uses a standard video protocol for displaying text and graphic images. The adapter supports a variety of video modes (combinations of resolution, refresh rate, and color that are defined by a video standard for displaying text or graphics).

## Video device drivers

To use the full capabilities of the graphics adapter in your computer, some operating systems and application programs require custom video device drivers. These device drivers provide greater speed, higher resolution, more available colors, and flicker-free images.

Device drivers for the graphics adapter and a readme file with instructions for installing the device drivers are provided on the *Device Drivers* CD that comes with your computer and in the c:\ibmtools\drivers directory on the hard disk. Use the device-driver installation instructions if you need to reinstall the device drivers or if you need information about obtaining and installing updated device drivers. For more information about installing device drivers, see “Recovering or installing device drivers” on page 97.

## Changing monitor settings

To get the best possible image on your screen and to reduce flicker, you might need to reset the resolution and refresh rate of your monitor. You can view and change monitor settings through the operating system using the instructions in the readme files on the *Device Drivers* CD or in the c:\ibmtools\drivers\ directory on the hard disk. See your operating-system documentation for more information about monitor settings.

**Attention:** Before changing monitor settings, review the documentation that comes with your monitor. Using a resolution or refresh rate that the monitor does not support might cause the screen to become unreadable and could damage the monitor. The information that comes with your monitor usually includes resolution and screen refresh rates that the monitor supports. If you need additional information, contact the manufacturer of the monitor.

If you are using a cathode ray tube (CRT) monitor, set the monitor for the highest noninterlaced refresh rate that it supports. If the monitor complies with the Video Electronics Standards Association (VESA) display data channel (DDC) standard, it probably is already set to the highest refresh rate that the monitor and video controller support. If you are not sure whether your monitor is DDC-compliant, see the documentation that comes with the monitor.

If you are using a flat-panel monitor, the refresh rate does not have to be set to the highest noninterlaced refresh rate that the monitor supports. Flat-panel monitors produce flicker-free images even when they are operating at a minimum 60 Hz noninterlaced rate.

If you have a dual-monitor video adapter, see the video adapter device-driver readme file and documentation for more information about enabling dual monitors.

---

## Using audio features

Your computer has an integrated audio controller that supports Sound Blaster applications. Your computer also has a single internal speaker and three types of audio connectors. Using the audio controller, you can record and play back sound and music to enhance multimedia applications. Optionally, you can connect external speakers to the line-out connector to provide improved sound with multimedia applications.

The audio connectors in your computer are 3.5 mm (0.125-in.) mini-jacks. For the location of the audio connectors, see “Input/output connectors” on page 65.

### Line in

This connector accepts audio signals into the computer sound system from external devices, such as the line output from a stereo, television, or a musical instrument. One line-in connector is on the rear of the computer.

### Line out

This connector sends audio signals from the computer to external devices, such as speakers with built-in amplifiers, headphones, multimedia keyboards, or the audio line-in jack on a stereo system. Line-out connectors are on both the front and the rear of the computer.

### Microphone

Use this connector to connect a microphone to your computer when you want to record voice or other sounds on the hard disk. With a microphone attached to the computer, you can also use speech-recognition software. Microphone connectors are on both the front and the rear of the computer.

---

## Using security features

To deter unauthorized use of your computer, you can use anti-intrusion features and other security features that are provided with the computer.

## Anti-intrusion features

IBM anti-intrusion features help protect against the theft of computer components, such as the microprocessor, system memory modules, or hard disk drives.

A cover lock is built into the computer to prevent the cover from being removed. Two identical keys for the cover lock are also supplied. A tag that is attached to the keys has the key serial number and the address of the key manufacturer.

**Important:** Keep the key-code number, manufacturer address, and phone number in a safe place. Because locksmiths are not authorized to duplicate cover-lock keys, you must order replacement keys from the key manufacturer. You will need the key code when ordering replacement keys.

You can set the chassis-intrusion detector inside the computer to alert the network administrator each time the computer cover is removed. For more information about enabling the chassis-intrusion detection, see Chapter 3, “Configuring the computer,” on page 21.

## Component protection

Each component in your computer has a serial number that you can register with a security company. You can register the components individually, or you can register the entire computer. By registering computer components, you can improve the chances of identifying the components if they are ever stolen and recovered. For more information about component registration, go to <http://www.ibm.com/pc/support/>.

## Data protection

You can lose data from the hard disk for a variety of reasons. Security violations, viruses, or hard disk drive failures can all cause data loss. To help protect against the loss of valuable data, IBM has incorporated the following data-saving features in your computer:

- **SMART hard disk drive**

Your computer comes with a self-monitoring and reporting technology (SMART) hard disk drive that is enabled to report potential hard disk failures. If an error is detected, a Desktop Management Interface (DMI) compliant warning message is displayed on the monitor screen and, if the computer is part of a network, on the administrator console. When an error is detected, the data on the hard disk can be backed up and the drive replaced.

- **Virus protection**

Your computer has built-in virus protection that you can enable through the IBM Configuration/Setup Utility program. This built-in protection checks for viruses in the boot record only. Also, Norton AntiVirus for IBM is available on the hard disk.

- **RAID level-0 and level-1**

RAID level-0 and level-1 are standard, providing improved performance or data redundancy. Higher levels of RAID are available with the installation of an optional ServeRAID adapter.

## Locking the keyboard

You can lock the keyboard so that others are unable to use it. If you have set a user password, the keyboard is locked when you turn on the computer. You must type the password to unlock the keyboard. See “Passwords” on page 25.

Some operating systems have a keyboard and mouse lock-up feature. See the documentation that comes with your operating system for more information.

---

## Updating system programs

System programs are the basic layer of software that is built into your computer. They include the power-on self-test (POST), the basic input/output system (BIOS), and the Configuration/Setup Utility program.

System programs are stored in electrically erasable programmable read-only memory (EEPROM) on the system board. This is sometimes referred to as flash memory.

IBM occasionally makes changes and enhancements to the system programs. When updates are released, they are available as downloadable files on the World Wide Web (see Appendix A, “Getting help and technical assistance,” on page 103). You can update system programs by starting your computer using a flash update diskette, or if the computer is connected to a network, a network administrator can update the system programs remotely. Instructions for using system program updates are included in a readme file that comes with the downloadable files.

---

## Managing your computer

Your computer comes with features that a network administrator or server can use to remotely manage and control the computer. This section describes some of these network-management tools. See the product documentation for these tools to find out whether your operating system supports this software. Complete the following steps to get more detailed information about these tools or to download any of this software:

1. Go to <http://www.ibm.com/pc/support/>.
2. Under **Download**, click **Downloads & Drivers**.
3. From the **Brand** drop-down list, click **Systems Management**; then, click **Continue**.
4. Scroll down and click a product to get more details about the product or to download the product.

Your computer supports the following system management tools:

- **IBM Director Agent**

IBM Director Agent streamlines and automates personal computer (PC) systems management and support tasks, such as asset deployment and tracking. These utilities are available for IBM computers at no additional charge, helping to reduce total cost of ownership of networked computers. IBM Director Agent is available at <http://www.ibm.com/pc/support/>.

You can use IBM Director Agent to view detailed information about your computer hardware and software, set up alerts, monitor a variety of system resources, and manage your asset security.

- **Wake on LAN**

A network administrator can use the Wake on LAN feature to turn on your computer from a remote location. When the Wake on LAN feature is used with network-management software, many functions, such as data transfers, software updates, and POST or BIOS code updates can be performed on many computers simultaneously.



**Note:** The Wake on LAN feature functions only if the computer was properly shut down and turned off.

- **Remote Administration**

A network administrator can use the Remote Administration feature to remotely update the POST and BIOS code in your computer. Network-management software, such as Remote Deployment Manager, is required to take advantage of this feature.

- **Remote Deployment Manager**

Remote Deployment Manager is a graphical, server-based program that performs mass unattended installations of operating systems, software, device drivers, and BIOS code updates to remote systems. Used with the Wake on LAN feature, Remote Deployment Manager can remotely turn on your computer so that installations can be done while the computer is not being used.

- **Software Migration Assistant**

A network administrator can use Software Migration Assistant (SMA) to remotely transfer configurations, profile settings, printer device drivers, and files from an IBM or non-IBM computer to supported IBM systems.

---

## Shutting down the operating system

**Note:** When you connect the power cord to the computer and an ac power source, the power-supply fan will run and continue to run when the computer is in standby mode to provide cooling to the power supply.

When you are ready to turn off the computer, use the shutdown procedure for your operating system to save data and prevent damage to your applications. See your operating-system documentation for more information.

If you are using the preinstalled Microsoft Windows XP operating system, complete the following steps to shut down the operating system and computer:

1. Save and close all files that you are working with.
2. Close all open applications.
3. Click **Start**.
4. Click **Turn Off Computer**; then, click **Turn Off** to confirm.

If you are using the preinstalled Red Hat Linux operating system, complete the following steps to shut down the operating system and computer:

1. Save and close all files with which you are working.
2. Close all open applications.
3. Click **Red Hat Linux Main Menu Button** → **Logout** → **Shutdown**.
4. Click **OK** to confirm.

---

## Turning off the computer

When you turn off the computer and leave it connected to ac power, the computer can respond to requests, such as a remote request to turn on the computer. To remove all power from the computer, you must disconnect it from the power source.

Some operating systems require an orderly shutdown before you turn off the computer. See your operating-system documentation for information about shutting down the operating system.

**Statement 5:**



**CAUTION:**

The power control button on the device and the power switch on the power supply do not turn off the electrical current supplied to the device. The device also might have more than one power cord. To remove all electrical current from the device, ensure that all power cords are disconnected from the power source.



The computer can be turned off in any of the following ways:

- You can turn off the computer through the operating system. If this feature is supported by your operating system, it will turn off the computer after performing an orderly shutdown of the operating system.

To turn off the computer from the Microsoft Windows XP operating system, click **Start** → **Turn Off Computer**; then, click **Turn Off**.

To turn off the computer from the Red Hat Linux operating system, click **Red Hat Linux Main Menu Button** → **Logout** → **Shutdown**; then, click **Yes**.

- You can press the power-control button on the front of the computer to start an orderly shutdown of the operating system and turn off the computer, if your operating system supports this feature.

**Note:** After turning off the computer, wait at least 5 seconds before you press the power-control button to turn on the computer again.

- You can press and hold the power-control button for more than 4 seconds to cause an immediate shutdown of the computer. You can use this feature to turn off the computer if the operating system stops functioning.

---

## Chapter 3. Configuring the computer

The following configuration programs are available to configure your computer:

- **Configuration/Setup Utility program**

The Configuration/Setup Utility program is part of the basic input/output system (BIOS) code in your computer. You can use this program to configure serial- and parallel-connector assignments, change interrupt request (IRQ) settings, change the device startup sequence, set the date and time, set passwords, and set the chassis-intrusion detector. For information about using this utility program, see “Using the Configuration/Setup Utility program” on page 22.

- **Boot Menu program**

The Boot Menu program is part of the BIOS code in your computer. Use it to temporarily assign a device to be first in the startup sequence, overriding the startup sequence that is set in the Configuration/Setup Utility program.

- **Broadcom NetXtreme Gigabit Ethernet Boot Agent**

The Broadcom NetXtreme Gigabit Ethernet Boot Agent is part of the BIOS code in your computer. You can use it to configure the network as a startable device, and you can customize where the network startup option appears in your startup sequence. You enable and disable the Broadcom NetXtreme Gigabit Ethernet Boot Agent from the Configuration/Setup Utility program. For information, see “Enabling the Broadcom NetXtreme Gigabit Ethernet Boot Agent” on page 26.

- **Adaptec® HostRAID™ configuration programs**

- **Adaptec RAID Configuration Utility programs (for Serial ATA RAID)**

Use the Array Configuration Utility within the Adaptec RAID Configuration Utility programs to configure the integrated Serial ATA (SATA) controller with integrated RAID and the devices that are attached to it. For more information about using these utility programs, see “Using the Adaptec RAID Configuration Utility programs (for Serial ATA RAID)” on page 27.

- **SCSISelect Utility program (for SCSI RAID)**

Use the SCSI HostRAID feature of SCSISelect Utility program to configure the integrated SCSI controller with integrated RAID and the devices that are attached to it. For more information about using this utility program, see “Using the SCSISelect Utility program (for SCSI RAID)” on page 28.

- **ServeRAID Manager**

ServeRAID™ Manager is available as a stand-alone program and as an IBM Director extension. If a ServeRAID controller is installed in your computer, use ServeRAID Manager to define and configure your disk-array subsystem *before* you install your operating system. For information about using this program, see “Using ServeRAID Manager” on page 29.

- **Ethernet controller configuration**

To configure the integrated Gigabit Ethernet controller, see “Configuring the Gigabit Ethernet controller” on page 31.

- **SCSISelect Utility program (some models)**

If your computer has a SCSI adapter installed, you can use the SCSISelect Utility program to configure devices that are attached to the SCSI adapter. Use this program to change default values, resolve configuration conflicts, and perform a low-level format on a SCSI hard disk drive. For information about using this utility program, see “Using the SCSISelect Utility program (some models)” on page 31.

---

## Using the Configuration/Setup Utility program

This section provides instructions for starting the Configuration/Setup Utility program and descriptions of the menu choices that are available.

### Starting the Configuration/Setup Utility program

Complete the following steps to start the Configuration/Setup Utility program:

1. Turn on the computer and watch the monitor screen. If the computer is already on when you start this procedure, you must shut down the operating system, turn off the computer, wait a few seconds until all in-use LEDs are turned off, and restart the computer.
2. When the message Press F1 for Configuration/Setup, Press F12 for Boot Menu appears on the screen during startup, press F1. (This prompt appears on the screen for only a few seconds. You must press F1 quickly.) If you have set both a user password and an administrator password, you must type the administrator password to access the full Configuration/Setup Utility menu.
3. Follow the instructions on the screen.

### Configuration/Setup Utility menu choices

The following choices are on the Configuration/Setup Utility main menu. Depending on the version of the BIOS code in your computer, some menu choices might differ slightly from these descriptions.

**Note:** When you use your computer for the first time, you might want to use the Configuration/Setup Utility menu choice **Load Default Settings** to reset the Configuration/Setup Utility menu choices to the factory default settings, in case they were changed before you received the computer. Otherwise, some choices might not appear in the list of menu choices.

- **System Summary**

Select this choice to view configuration information, including the type, speed, and cache sizes of the microprocessors and the amount of installed memory. When you make configuration changes through other options in the Configuration/Setup Utility program, the changes are reflected in the system summary; you cannot change settings directly in the system summary.

This choice is on the full and limited Configuration/Setup Utility menu.

- **System Information**

Select this choice to view information about your computer, such as the machine type and model of your computer, the serial number, and the revision level or issue date of the BIOS code stored in electrically erasable programmable ROM (EEPROM). When you make changes through other options in the Configuration/Setup Utility program, some of those changes are reflected in the system information; you cannot change settings directly in the system information.

This choice is on the full Configuration/Setup Utility menu only.

- **Devices and I/O Ports**

Select this choice to view or change assignments for devices and input/output (I/O) ports.

Select this choice to enable or disable integrated SCSI and Ethernet controllers and all standard ports (such as serial and parallel). **Enable** is the default setting for all controllers. If you disable a device, it cannot be configured, and the operating system will not be able to detect it (this is equivalent to disconnecting the device). If you disable the integrated SCSI controller and no SCSI adapter is

installed, the computer will have no SCSI capability. If you disable the integrated Ethernet controller and no Ethernet adapter is installed, the computer will have no Ethernet capability.

This choice is on the full Configuration/Setup Utility menu only.

- **Remote Console Redirection**

Select this choice to enable and configure serial remote video and keyboard redirection.

- **Date and Time**

Select this choice to set the date and time in the computer, in 24-hour format (*hour:minute:second*).

- **System Security**

Select this choice to set password settings. See “Passwords” on page 25 for more information about passwords. You can also enable the chassis-intrusion detector to alert you each time the computer cover is removed.

- **Power-on Password**

Select this choice to set or change a power-on password. See “User (Power-on) password” on page 25 for more information.

- **Administrator Password**

Select this choice to set or change an administrator password. An administrator password is intended to be used by a system administrator; it limits access to the full Configuration/Setup Utility menu. If an administrator password is set, the full Configuration/Setup Utility menu is available only if you type the administrator password at the password prompt. See “Administrator password” on page 25 for more information.

- **Startup Options**

Select this choice to view or change the start options. Changes in the start options take effect when you restart the computer.

You can set keyboard operating characteristics, such as the keyboard speed, and you can specify whether the computer starts with the keyboard number lock on or off. You can enable the computer to run without a diskette drive, monitor, or keyboard. You can enable or disable USB support. If you disable the integrated USB controller, the computer will have no USB capability; to maintain USB capability, make sure that **Enabled** is selected for the **USB Legacy Support** and **USB devices** options.

The startup sequence specifies the order in which the computer checks devices to find a boot record. The computer starts from the first boot record that it finds. If your computer has Wake on LAN hardware and software and the operating system supports Wake on LAN functions, you can specify a startup sequence for the Wake on LAN functions. You can also specify whether the integrated SCSI controller or a PCI SCSI adapter has boot precedence.

If you enable the boot fail count, the BIOS default settings will be restored after three consecutive failures to find a boot record.

You can enable a virus-detection test that checks for changes in the boot record when the computer starts.

This choice is on the full Configuration/Setup Utility menu only.

- **Advanced Setup**

Select this choice to change settings for advanced hardware features.

**Important:** The computer might malfunction if these options are incorrectly configured. Follow the instructions on the screen carefully.

This choice is on the full Configuration/Setup Utility menu only.

- **Memory Cache**  
Select this choice to specify what types of memory to cache and how the cache should function (Write Protect, Write Back, Write Through, or Disable).
- **CPU Options**  
Select this choice to enable or disable the microprocessor cache and Hyper-Threading Technology. The default status for Hyper-Threading Technology is **Enabled**.  
**Attention:** Do not make changes in the **CPU Options** unless directed to do so by an IBM authorized service representative.
- **Advanced Chipset Control**  
Select this choice to modify settings that control features of the core chip set on the system board.  
**Attention:** Do not make changes in the **Advanced Chipset Feature** option unless directed to do so by an IBM authorized service representative.
- **PCI Bus Control**  
Select this choice to set the PCI master latency timer value and PCI interrupt routing.
- **Hardware Monitor**  
Select this choice to display computer temperature and voltage status, and fan speeds.
- **ASF Configuration**  
Select this choice to enable or disable the Alert Standard Format (ASF) feature on your computer.
- **Error Log**  
Select this choice to view or clear error logs.
  - **POST Error Log**  
Select this choice to view the three most recent error codes and messages that the system generated during POST. Select **Clear all DMI event logs** to clear the POST error log.
  - **System Event/Error Log**  
Select this choice to view the events or errors detected and logged by the SMI handler and the system service processor during POST. The most recent event or error is listed first. Use the down arrow key to view older entries and the up arrow key to view newer entries.
- **Save Settings**  
Select this choice to save the changes you have made in the settings.
- **Restore Settings**  
Select this choice to cancel the changes you have made in the settings and restore the previous settings.
- **Load Default Settings**  
Select this choice to cancel the changes you have made in the settings and restore the factory settings.
- **Exit Setup**  
Select this choice to exit from the Configuration/Setup Utility program. If you have not saved the changes you have made in the settings, you are asked whether you want to save the changes or exit without saving them.

## Passwords

From the **System Security** choice, you can set, change, and delete a user (power-on) password and an administrator password. The **System Security** choice is on the full Configuration/Setup menu only.

If you set only a user password, you must type the user password to complete the system startup and to have access to the full Configuration/Setup Utility menu.

An administrator password is intended to be used by a system administrator; it limits access to the full Configuration/Setup Utility menu. If you set only an administrator password, you do not have to type a password to complete the system startup, but you must type the administrator password to access the Configuration/Setup Utility menu.

If you set a user password for a user and an administrator password for a system administrator, you can type either password to complete the system startup. A system administrator who types the administrator password has access to the full Configuration/Setup Utility menu; the system administrator can give the user authority to set, change, and delete the user password. A user who types the user password has access to only the limited Configuration/Setup Utility menu; the user can set, change, and delete the user password, if the system administrator has given the user that authority.

### User (Power-on) password

If a user (power-on) password is set, when you turn on the computer, the system startup will not be completed until you type the user password. You can use any combination of up to seven characters (A–Z, a–z, and 0–9) for the password.

When a user password is set, you can enable the Unattended Start mode, in which the keyboard and mouse remain locked but the operating system can start. You can unlock the keyboard and mouse by typing the user password.

If you forget the user password, you can regain access to the computer in any of the following ways:

- If an administrator password is set, type the administrator password at the password prompt. Start the Configuration/Setup Utility program and reset the user password.
- Remove the computer battery and then reinstall it. See the *Option Installation Guide* for instructions for removing the battery.
- Change the pin position of the clear CMOS (password override) jumper on the system board to bypass the user password check.

### Administrator password

If an administrator password is set, you must type the administrator password for access to the full Configuration/Setup Utility menu. You can use any combination of up to seven characters (A–Z, a–z, and 0–9) for the password. The **Administrator Password** choice is on the Configuration/Setup Utility menu only if an optional IBM Remote Supervisor Adapter II is installed.

### Resetting passwords

If you forget the user or administrator password, you can change the pin position of the clear CMOS jumper on the system board to bypass the user or administrator password check. This enables you to reset these passwords.

---

## Using the Boot Menu program

The Boot Menu program is a built-in, menu-driven configuration utility program that you can use to temporarily redefine the first startup device without changing settings in the Configuration/Setup Utility program.

Complete the following steps to use the Boot Menu program:

1. Turn off the computer.
2. Restart the computer.
3. Press F12.
4. Select the startup device.

The next time the computer is started, it returns to the startup sequence that is set in the Configuration/Setup Utility program.

---

## Enabling the Broadcom NetXtreme Gigabit Ethernet Boot Agent

The Broadcom NetXtreme Gigabit Ethernet Boot Agent is part of the BIOS code in your computer. You can use it to configure the network as a startable device, and you can customize where the network startup option appears in your startup sequence. You enable and disable the Broadcom NetXtreme Gigabit Ethernet Boot Agent from the Configuration/Setup Utility program.

Complete the following steps to enable the Broadcom NetXtreme Gigabit Ethernet boot agent:

1. From the Configuration/Setup Utility main menu, select **Devices and I/O Ports** and press Enter.
2. Select **System Board Ethernet PXE/DHCP** and use the Right Arrow (→) key to set it to **Enabled**.
3. Select **Save Settings** and press Enter.

---

## Using the Adaptec HostRAID configuration programs

Use the Adaptec RAID Configuration Utility programs and SCSISelect Utility (also referred to as IBM ServeRAID-7e) to add RAID level-0 and level-1 functionality to the integrated Serial ATA controller and the integrated SCSI controller. RAID level-0 is striping where the drives are seen as a single volume and increases performance and RAID level-1 is mirroring where the contents of one drive are copied to the other drive to increase hard drive availability. Be sure to use these programs as described in this document. Use these programs to:

- Configure a redundant array of independent disks (RAID) array
- View or change your RAID configuration and associated devices

Consider the following information when using the Adaptec RAID Configuration Utility programs and SCSISelect Utility program to configure and manage arrays:

- The integrated SCSI controller with integrated SCSI RAID (in SCSI models) and the integrated Serial ATA controller (in SATA models) with integrated SATA RAID supports RAID levels 0 and 1 with the option of having a hot-spare drive. Installing an optional ServeRAID controller provides additional RAID levels.
- Hard disk drive capacities affect how you create arrays. Drives in an array can have different capacities, but the RAID controller treats them as if they all have the capacity of the smallest hard disk drive.



- To help ensure signal quality, do not mix drives with different speeds and data rates.
- To update the firmware and BIOS code for an optional ServeRAID adapter, you must use the IBM *ServeRAID Support* CD that comes with the ServeRAID option.
- If you install a different type of RAID adapter in the computer, use the configuration method described in the instructions that come with that adapter to view or change SCSI settings for attached devices.

## Using the Adaptec RAID Configuration Utility programs (for Serial ATA RAID)

Use the Array Configuration Utility within the Adaptec RAID Configuration Utility programs to add RAID level-0 and level-1 functionality to the integrated Serial ATA (SATA) controller. This utility is part of the BIOS code in the computer. For additional information about using the Adaptec RAID Configuration Utility programs, see the documentation on the IBM *ServeRAID-7e (Adaptec HostRAID) Support* CD. If this CD did not come with your computer, you can download it from <http://www.ibm.com/pc/support/>.

The integrated Serial ATA RAID feature (SATA HostRAID) comes disabled by default. You must enable it and install the device drivers before you can use it. The SATA RAID feature configuration utilities, device drivers, and information are available on the IBM *ServeRAID-7e (Adaptec HostRAID) Support* CD.

### Enabling the Serial ATA HostRAID feature

Complete the following steps to enable the SATA RAID feature:

1. Turn on the computer.
2. When the prompt Press F1 for Configuration/Setup appears, press F1. If you have set a supervisor password, you are prompted to type the password.
3. Select **Devices and I/O Ports**.
4. Scroll down and select **SATA RAID Enable**.
5. Select **Enabled**.
6. Press Esc; then, select **Yes** to save the changes.

### Using the Serial ATA HostRAID feature

The instructions in this section are for using the Array Configuration Utility program to access and perform an initial RAID level-1 configuration. If you install a RAID adapter in the computer, use the configuration method described in the instructions that come with that adapter to view or change settings for the attached devices.

See the documentation on the IBM *ServeRAID-7e (Adaptec HostRAID) Support* CD for additional information about using the Array Configuration Utility program to create, configure, and manage arrays. If this CD did not come with your computer, you can download the IBM *ServeRAID-7e (Adaptec HostRAID) Support* CD from <http://www.ibm.com/pc/support/>.

**Configuring the controller:** Complete the following steps to use the Array Configuration Utility program to configure a RAID level-1 array on your computer.

1. Turn on the computer.
2. When the message Press <CTRL><A> for Adaptec RAID Configuration Utility appears, press Ctrl+A.
3. Select **Array Configuration Utility (ACU)**.

4. Select **Create Array**.
5. From the list of ready drives, select the two drives that you want to group into the array.
6. When asked to select the RAID level, select **RAID-1**.
7. (Optional) Type an identifier for the array.
8. When asked for the array build method, select **Quick Int**.
9. Follow the instructions on the screen to complete the configuration, and select **Done** to exit.
10. Restart the computer.

**Viewing the configuration:** Complete the following steps to view information about the Serial ATA controller:

1. Start the Array Configuration Utility.
2. From the Array Configuration Utility screen, select **Manage Arrays**.
3. Select an array and press Enter.
4. Press Esc to exit the program.

## Using the SCSISelect Utility program (for SCSI RAID)

Use the SCSISelect Utility program to add RAID level-0 and level-1 functionality to the integrated SCSI controller. This utility is part of the BIOS code in your computer.

The integrated SCSI RAID feature (SCSI HostRAID) comes disabled by default. You must enable it and install the device drivers before you can use it. The SCSI RAID configuration utilities, device drivers, and information are available on the IBM *ServeRAID-7e (Adaptec HostRAID) Support CD*. If this CD did not come with your computer, you can download it from <http://www.ibm.com/pc/support/>.

### Enabling the SCSI HostRAID feature

Complete the following steps to enable the SCSI RAID feature:

1. Turn on the computer.
2. When the prompt Press <CTRL><A> for SCSISelect Utility appears, press Ctrl+A. If you have set a supervisor password, you are prompted to type the password.
3. Use the arrow keys to select the channel for which you want to change settings, and press Enter.
4. Select **Configure/View SCSI Controller Setting**; then, select **HostRAID**.
5. Select **Enabled**.
6. Press Esc; then, select **Yes** to save the changes.

### Using the SCSI HostRAID feature

The instructions in this section describe how to access the SCSI RAID feature from the SCSISelect Utility program and perform an initial RAID level-1 configuration. If you install a RAID adapter in the computer, use the configuration method described in the instructions that come with that adapter to view or change SCSI settings for attached devices.

See the documentation on the IBM *ServeRAID-7e (Adaptec HostRAID) Support CD* for additional information about how to use the SCSI HostRAID feature.

**Configuring the controller:** Complete the following steps to use the SCSI HostRAID feature to configure a RAID level-1 array:

1. From the SCSISelect main menu, select **Configure/View HostRAID Settings**.

2. From the list of ready drives, type **C** to create an array.
3. When asked to select the RAID type, select **RAID-1**.
4. From the list of ready drives, select the two drives that you want to group into the array.
5. Select **Create new RAID-1**.
6. Type an identifier for the array.
7. Select **Yes** to create the array.
8. Press **Esc** to exit the utility.
9. Restart the computer.

**Viewing the configuration:** You can use the SCSISelect Utility program to view information about the integrated SCSI controller. From the list of available arrays, select an array and press **Enter**. Press **Esc** to exit the utility.

---

## Using ServeRAID Manager

Use the ServeRAID Manager program to:

- Configure arrays
- View your RAID configuration and associated devices
- Monitor operation of your RAID controllers

To perform some tasks, you can run ServeRAID Manager as an installed program. However, to configure the SCSI controller and perform an initial RAID configuration on your computer, you must run ServeRAID Manager in a Startable-CD mode, as described in the instructions in this section. If you install a RAID adapter in your computer, use the configuration method described in the instructions that come with the adapter to view or change SCSI settings for attached devices.

See the ServeRAID documentation on the **IBM ServeRAID Support** CD or additional information about RAID technology and instructions for using ServeRAID Manager to configure your SCSI controller. Additional information about ServeRAID Manager is also available from the **Help** menu. For information about a specific object in the ServeRAID Manager tree, select the object and click **Actions** → **Hints and tips**.

## Configuring the controller

By running ServeRAID Manager in Startable CD mode, you can configure the controller before you install your operating system. The information in this section assumes that you are running ServeRAID Manager in Startable CD mode.

To run the ServeRAID Manager program in startable-CD mode, turn on the computer; then, insert the *IBM ServeRAID Support* CD into the CD-ROM drive. If the ServeRAID Manager program detects an unconfigured controller and ready drives, the program automatically starts the Configuration wizard.

In the Configuration wizard, you can select express configuration or custom configuration. Express configuration automatically configures the controller by grouping the first two physical drives in the ServeRAID Manager tree into an array and creating a RAID level-1 logical drive. If you select custom configuration, you can select the two physical drives that you want to group into an array and create a hot-spare drive.

## Using express configuration

Complete the following steps to use express configuration:

1. In the ServeRAID Manager tree, click the controller that you want to configure.
2. From the toolbar, click **Create**.
3. Click **Express configuration**.
4. Click **Next**. The “Configuration summary” window opens.
5. Review the information that is displayed in the “Configuration summary” window. To change the configuration, click **Modify arrays** or **Modify logical drives**.

**Note:** Some operating systems have size limitations for logical drives. Before you save the configuration, verify that the size of the logical drive is appropriate for your operating system.

6. Click **Apply**; then, click **Yes** when asked if you want to apply the new configuration. The configuration is saved in the controller and in the physical drives.
7. Exit from the ServeRAID Manager program and remove the CD from the CD-ROM drive.
8. Restart the computer.

## Using custom configuration

Complete the following steps to use custom configuration:

1. In the ServeRAID Manager tree, click the controller that you want to configure.
2. From the toolbar, click **Create**.
3. Click **Custom configuration**.
4. Click **Next**. The “Create arrays” window opens.
5. Click the applicable tab in the right pane; then, from the list of ready drives, select the two drives you want to move to the array.
6. Click the icon to add the drives to the array.
7. Complete the following steps if you want to configure a hot-spare drive:
  - a. Click the **Spares** tab.
  - b. Select the physical drive you want to designate as the hot-spare drive; then, click the icon to add the drive.
8. Click **Next**. The “Configuration summary” window opens.
9. Review the information that is displayed in the “Configuration summary” window. To change the configuration, click **Back**.
10. Click **Apply**; then, click **Yes** when asked if you want to apply the new configuration. The configuration is saved in the controller and in the physical drives.
11. Exit from the ServeRAID Manager program, and remove the CD from the CD-ROM drive.
12. Restart the computer.

## Viewing the configuration

You can use ServeRAID Manager to view information about RAID controllers and the RAID subsystem (such as arrays, logical drives, hot-spare drives, and physical drives). When you click an object in the ServeRAID Manager tree, information about that object appears in the right pane. To display a list of available actions for an object, click the object and click **Actions**.

To display available actions for an item, click the item in the ServeRAID Manager tree and click **Actions**.

---

## Configuring the Gigabit Ethernet controller

The Ethernet controller is integrated on the system board. It provides an interface for connecting to a 10-Mbps, 100-Mbps, or 1-Gbps network and provides full duplex (FDX) capability, which enables simultaneous transmission and reception of data on the network. If the Ethernet port in the computer supports auto-negotiation, the controller detects the data-transfer rate (10BASE-T, 100BASE-TX, or 1000BASE-T) and duplex mode (full-duplex or half-duplex) of the network and automatically operates at that rate and mode.

You do not have to set any jumpers or configure the controller. However, you must install a device driver when you install different operating system to enable the operating system to address the controller. For device drivers and information about configuring the Gigabit Ethernet controller, go to <http://www.ibm.com/pc/support/>

---

## Using the SCSISelect Utility program (some models)

Use the SCSISelect Utility program to configure SCSI devices.

### Starting the SCSISelect Utility program

Complete the following steps to start the SCSISelect utility program:

1. Turn on the computer.
2. When the prompt <<< Press <CTRL><A> for SCSISelect Utility! >>> prompt appears, press Ctrl+A. If you have set an administrator password, you are prompted to type the password.
3. Use the arrow keys to select a choice for which you want to change settings, and press Enter.
4. When the prompt Would you like to configure the SCSI controller or run the SCSI disk utility? appears, make your selection and press Enter.
5. Use the arrow keys to select a choice from the menu.
6. Follow the instructions on the screen to change the settings of the selected items, and press Enter.

### SCSISelect menu choices

The following choices are on the SCSISelect Utility menu:

- **Configure/View SCSI Controller Settings**

Select this choice to view or change SCSI controller settings. To reset the SCSI controller to its default values, press F6 and follow the instructions on the screen.

You can view or change the following controller settings:

- **SCSI Controller ID**

Select this choice to view the SCSI controller ID, which is typically 7.

- **SCSI Controller Termination**

This choice is set to **Enabled** and cannot be changed.

- **Boot Device Configuration**

Select this choice to configure bootable-device parameters. You must know the SCSI ID of the device that you want to configure.

- **SCSI Device Configuration**

Select this choice to configure SCSI-device parameters. You must know the SCSI ID of the device that you want to configure.

The sync transfer rate is the transfer rate for Ultra SCSI devices. For Ultra320 SCSI LVD devices, the maximum rate is 320 MBps; for Ultra2 SCSI LVD devices, 80 MBps; for Fast SCSI devices, 20 MBps.

– **Advanced Configuration**

Select this choice to view or change the settings for advanced configuration options.

• **SCSI Disk Utilities**

Select this choice to view the SCSI IDs assignments or to format a SCSI device. Select a device from the list and read the instructions on the screen carefully before making a selection.

If you press Ctrl+A before a selected drive is ready, an Unexpected SCSI Command Failure screen might appear. Restart the computer and watch the SCSISelect messages as each drive spins up. When the selected drive is ready, press Ctrl+A.

---

## Chapter 4. Installing options

This chapter provides instructions for installing or replacing hardware options in your computer. For a list of supported options for your computer, go to <http://www.ibm.com/pc/>; then, select your country and navigate to the list of options for your computer.

---

### Installation guidelines

Before you begin installing options in your computer, read the following information:

- Read the safety information beginning on page vii, and the guidelines in “Handling static-sensitive devices.” This information will help you work safely with your computer and options.
- Make sure that you have an adequate number of properly grounded electrical outlets for your computer, monitor, and other devices that you will connect to the computer.
- Back up all important data before you make changes to disk drives.
- Have a small flat-blade screwdriver available.
- When you need to access the inside of the computer to install options, you might find it easier to lay the computer on its side.
- Blue on a component indicates touch points, where you can grip the component to remove it from or install it in the computer, open or close a latch, and so on.

### System reliability considerations

To help ensure proper cooling and system reliability, make sure that:

- Each of the drive bays has a drive or a filler panel and electromagnetic compatibility (EMC) shield installed in it.
- There is adequate space around the computer to allow the computer cooling system to work properly. Leave approximately 50 mm (2 in.) of open space around the front and rear of the computer. Do not place objects in front of the fans. For proper cooling and airflow, replace the computer cover before turning on the computer. Operating the computer for extended periods of time (more than 30 minutes) with the computer cover removed might damage computer components.
- You have followed the cabling instructions that come with optional adapters.
- You have replaced a failed fan as soon as possible.

### Handling static-sensitive devices

**Attention:** Static electricity can damage electronic devices and your computer. To avoid damage, keep static-sensitive devices in their static-protective packages until you are ready to install them.

To reduce the possibility of damage from electrostatic discharge, observe the following precautions:

- Limit your movement. Movement can cause static electricity to build up around you.
- Handle the device carefully, holding it by its edges or its frame.
- Do not touch solder joints, pins, or exposed circuitry.
- Do not leave the device where others can handle and damage it.

- While the device is still in its static-protective package, touch it to an unpainted metal part of the computer for at least 2 seconds. This drains static electricity from the package and from your body.
- Remove the device from its package and install it directly into the computer without setting down the device. If it is necessary to set down the device, put it back into its static-protective package. Do not place the device on your computer cover or on a metal surface.
- Take additional care when handling devices during cold weather. Heating reduces indoor humidity and increases static electricity.

---

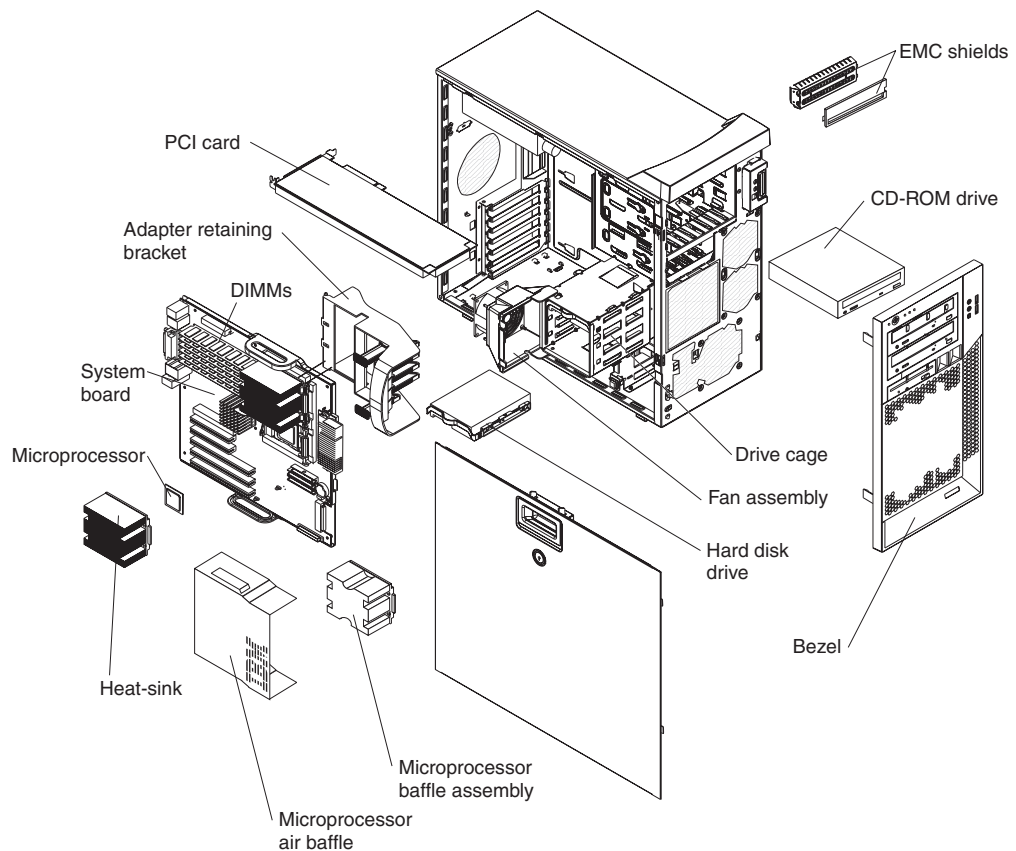
## Installing options in your computer

This section provides instructions for installing hardware options in your computer.

**Note:** To remove the side cover and install options, you might find it easier to lay the computer on its side.

## Major components of your computer

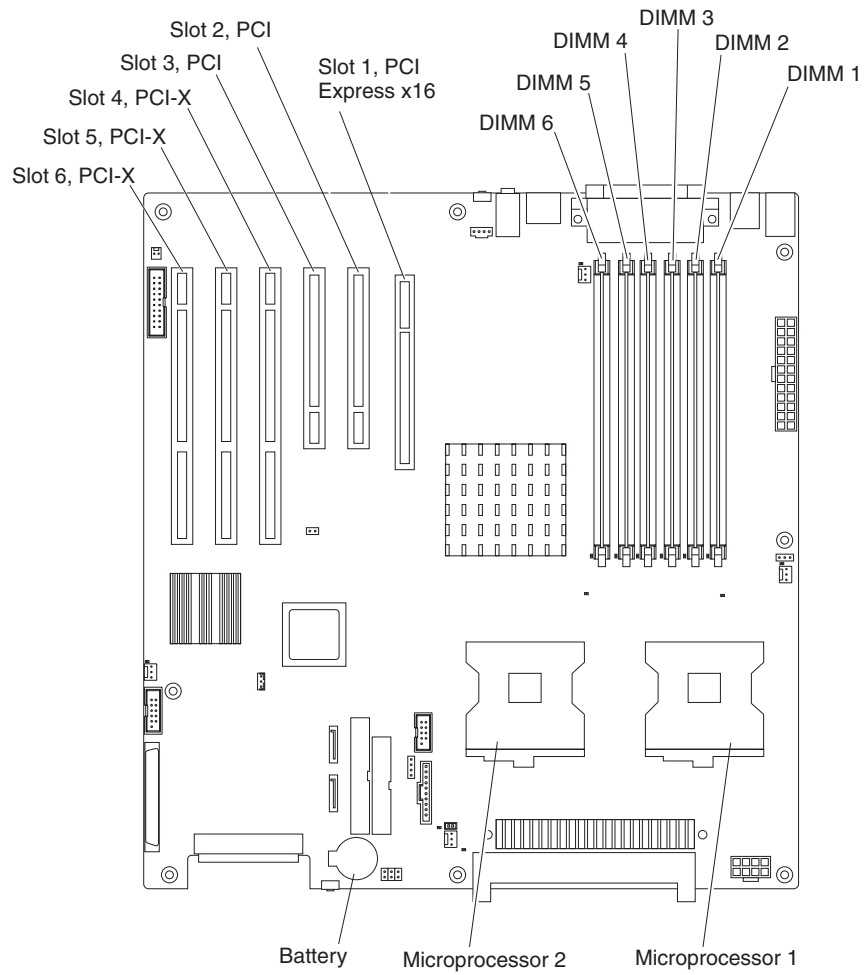
The following illustration shows the major components in the Z Pro Type 6223 computer.





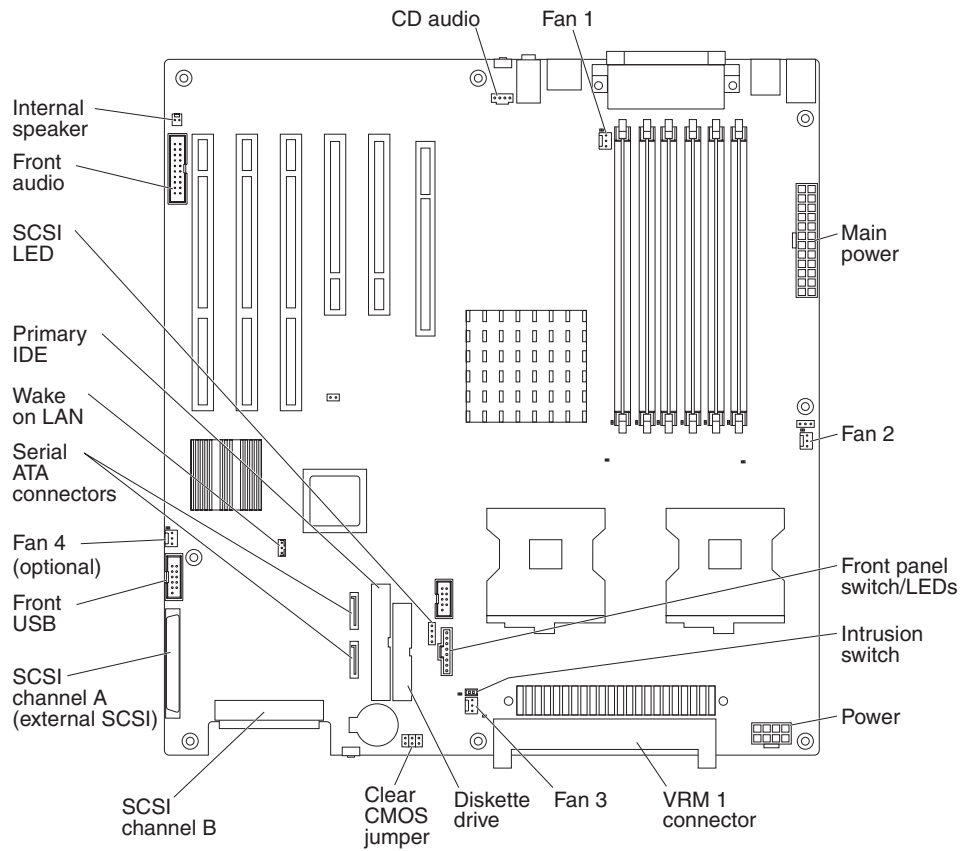
## System-board option connectors

The following illustration shows the system-board connectors for user-installable options.



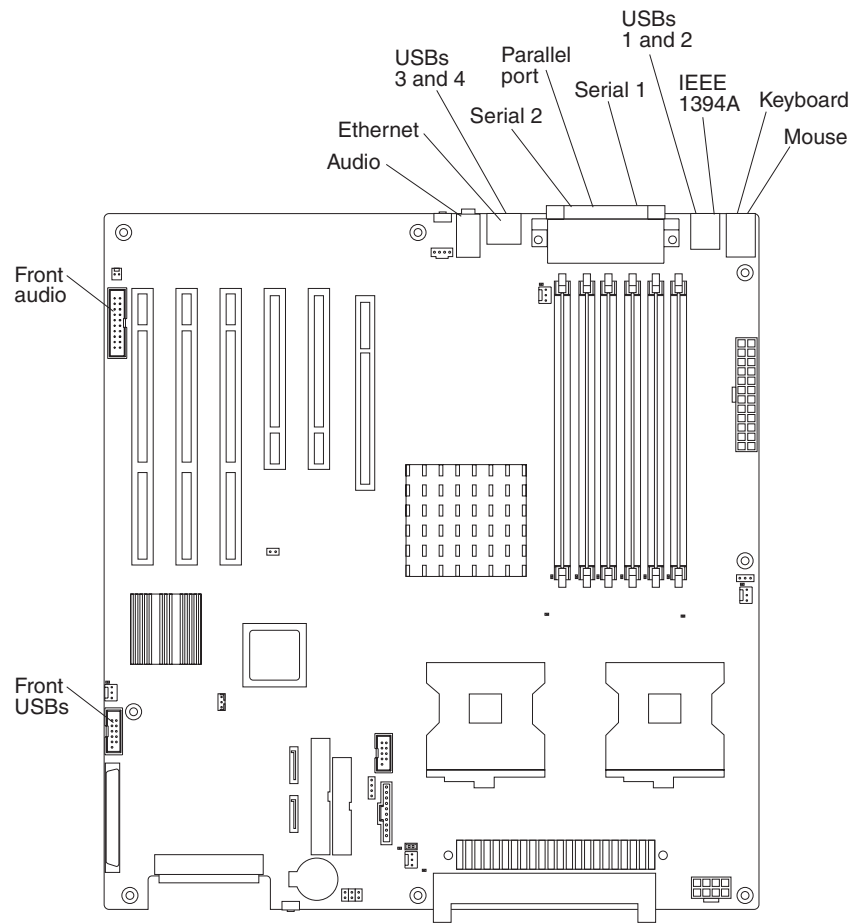
## System-board internal connectors

The following illustration shows the internal connectors on the system board.



## System-board external connectors

The following illustration shows the external input/output connectors on the system board.

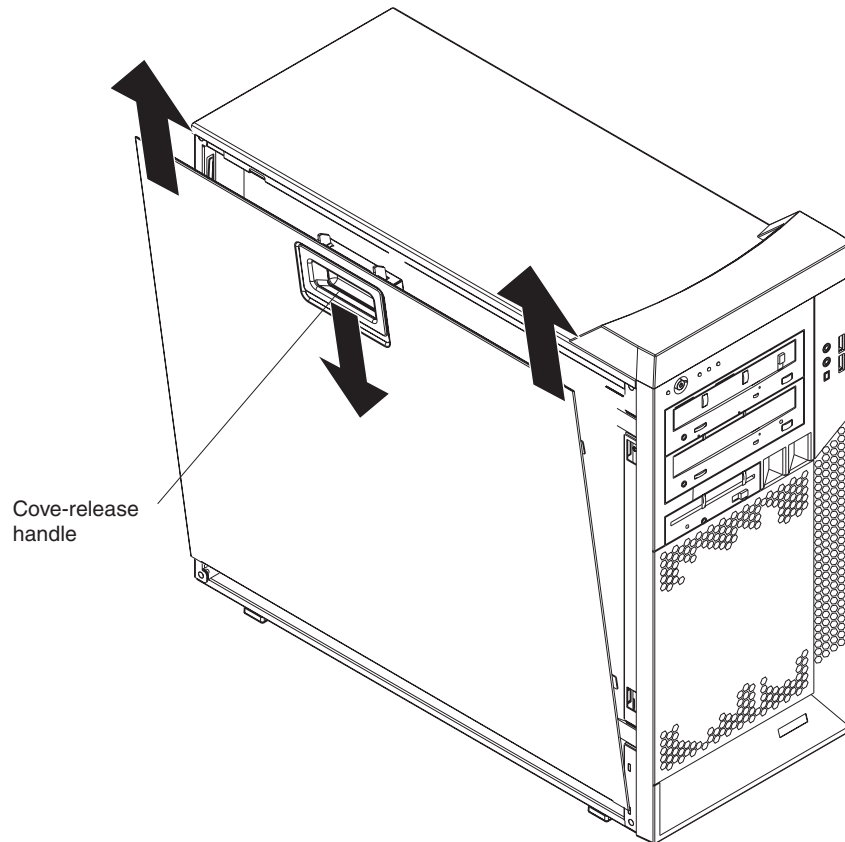


## Removing the side cover

To remove the cover, you might find it easier to lay the computer on its side.

Complete the following steps to remove the side cover of the computer:

1. Review the “Installation guidelines” on page 33.
2. Turn off the computer and all attached devices (see “Turning off the computer” on page 19); then, disconnect all power cords and external cables.
3. Pull down on the cover-release handle; then, pull the cover straight up and lift the side cover off the computer and set it aside.



To replace the side cover, see “Replacing the side cover” on page 64.

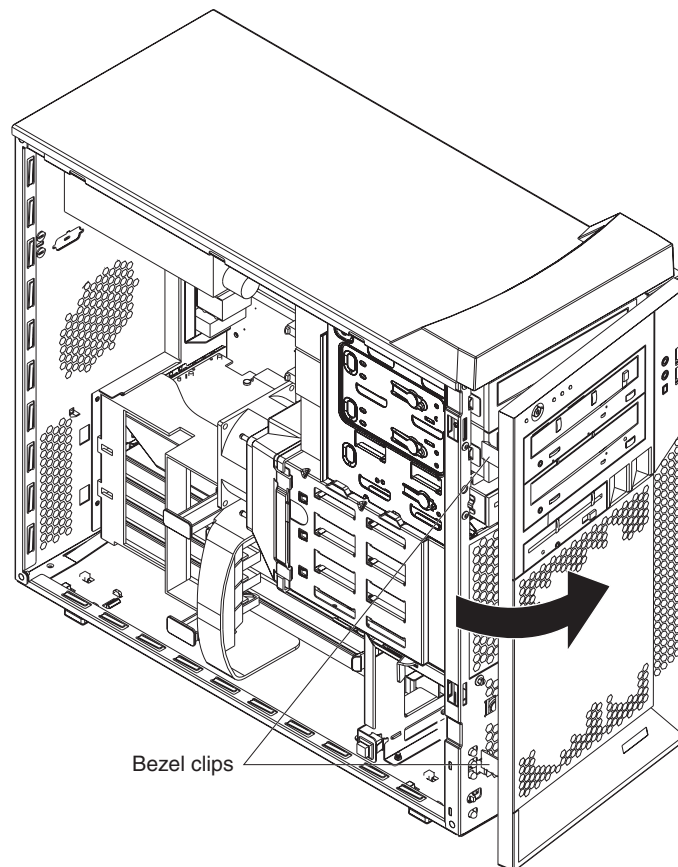
**Attention:** For proper cooling and airflow, replace the side cover before turning on the computer. Operating the computer with the cover removed might damage computer components.

## Removing the bezel

When working with some devices, such as additional optical drives, you must first remove the bezel to access the device. To install or remove options, you might find it easier to lay the computer on its side.

Complete the following steps to remove the bezel:

1. Unlock the side-cover lock.
2. Remove the side cover (see “Removing the side cover” on page 38).
3. Locate the two bezel clips that are securing the bezel to the computer chassis. Gently lift and hold the bezel clips up and at the same time, rotate the bezel outward to disengage it from the side tabs; then, set the bezel aside.



For instructions for replacing the bezel, see “Replacing the bezel” on page 63.

## Installing an adapter

The following notes describe the types of adapters that your computer supports and other information that you must consider when installing an adapter. See “System-board option connectors” on page 35 for an illustration of the adapter slot locations.

- Read the documentation that comes with your operating system.
- Locate the documentation that comes with the adapter and follow those instructions in addition to the instructions in this chapter. If you need to change the switch or jumper settings on your adapter, follow the instructions that come with the adapter.

- Your computer comes with adapter connectors or *slots*. The video adapter is installed in the PCI Express x16 slot (slot 1). You can install up to five additional adapters in your computer in PCI slots 2 and 3, and PCI-X slots 4, 5, and 6.
- You can install full-length adapters in PCI slot 3, and PCI-X slots 4, 5, and 6. However, a full-length adapter will not fit in PCI slot 2 and is not supported. None of the expansion slots are hot-plug slots.
- Your computer supports 5.0 V signaling and universal PCI 32-bit/33 MHz adapters in PCI slots 2 and 3.
- Your computer supports 3.3 V signaling and universal PCI-X 64-bit/133 MHz adapters in PCI-X slot 4.
- Your computer supports 3.3 V signaling and universal PCI-X 64-bit/100 MHz adapters in PCI-X slot 5 and 6.
- Your computer uses a rotational interrupt technique to configure PCI adapters, which means that you can install a variety of PCI adapters that currently do not support sharing of PCI interrupts.
- If you install a ServeRAID 6i+ adapter, it must be installed in PCI-X slot 5.
- If you install an optional RAID adapter in your computer, you must reinstall the operating system and applications that came preinstalled on your computer.
- The system scans the PCI Express x16 slot (slot 1), PCI expansion slots 2 and 3, and PCI-X expansion slots 4 through 6 to assign system resources. Then, it starts the PCI devices in the following order, if you have not changed the default startup sequence: PCI Express x16 slot (slot 1), system-board integrated drive electronics (IDE), Serial ATA (SATA), or small computer system interface (SCSI) devices (including optional ServeRAID-6i+ controller), and then PCI-X slots 4 through 6.
- For a list of supported options for your computer, go to <http://www.ibm.com/pc/>; then, select your country and navigate to the list of options for your computer.

Complete the following steps to install an adapter in your computer:

1. Read the safety information beginning on page “Safety” on page vii and the guidelines in “Handling static-sensitive devices” on page 33
2. Turn off the computer and all attached devices (see “Turning off the computer” on page 19); then, disconnect all external cables and power cords.
3. Remove the side cover (see “Removing the side cover” on page 38).
4. Determine the slot in which you want to install the adapter. Review the instructions that come with the adapter for any requirements, restrictions, or cabling instructions. It might be easier to route any cables before you install the adapter.
5. For full-length adapters, rotate the rear adapter-retention bracket to the open (unlocked) position (you might have to first remove any adapters that might be in the way). Press down on the bottom tab of the front adapter-retention bracket to release it (the tab is inside the fan compartment that is next to the front adapter-retention bracket). If you are installing a smaller adapter, rotate only the rear adapter-retention bracket.

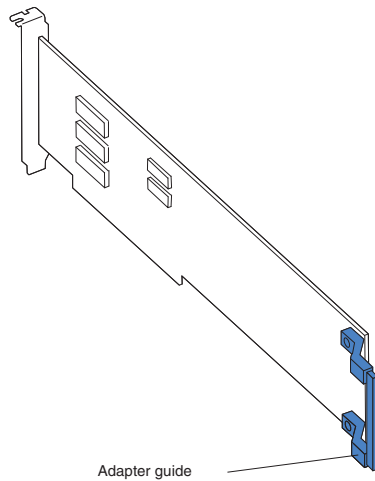
6. Remove the expansion-slot cover. From the rear of the computer, press on the slot cover. Grasp it and pull it out of the expansion slot. Store it in a safe place for future use.

**Attention:** Expansion-slot covers must be installed on all empty slots. This maintains the electronic emissions standards of the computer and ensures proper ventilation of computer components.

7. Follow the instructions that come with the adapter to set jumpers or switches, if any.

**Attention:** Avoid touching the components and gold-edge connectors on the adapter.

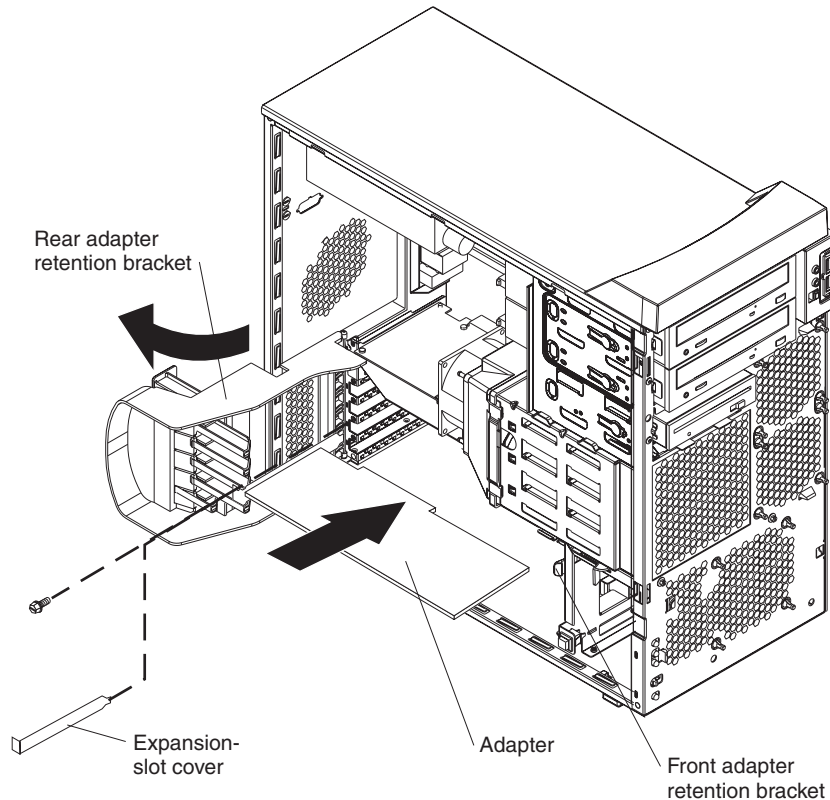
8. If you are installing a full-length adapter, remove the blue adapter guide (if any) from the end of the adapter.



**Attention:** Be certain that the adapter is correctly seated in the expansion slot before you turn on the computer. Incomplete installation of an adapter might damage the system board or the adapter.

- Carefully grasp the adapter by the top edge or upper corners and move the adapter directly from the static-protective package to adapter slot (avoid touching the components and gold-edge connectors on the adapter). Align the adapter with the expansion slot guides; then, press the adapter *firmly* into the expansion slot.

**Attention:** Make sure that the adapter is correctly seated in the expansion slot before you turn on the computer. Incomplete installation of an adapter might damage the system board or the adapter.



- Connect required cables to the adapter. Route cables so that they do not block the flow of air from the fans. If you are installing an optional SCSI adapter, see “Cabling an optional SCSI adapter” on page 43 for additional information.
- If you have another adapter to install, repeat steps 4 through 10.
- If you have installed a full-length adapter, press down on the top tab of the front adapter-retention bracket to lock it in place (the tab is inside the fan compartment that is next to the front adapter-retention bracket).

**Note:** If any adapter in your computer is large or has heavy cables attached to it, you can secure the adapter with a screw. Insert one backup expansion-slot screw (the screws are stored directly above the front adapter-retention bracket) through the top of each adapter bracket into the screw hole and secure the adapter before proceeding to the next step.

- If you have other options to install, do so now; otherwise, replace the side cover (see “Replacing the side cover” on page 64), reconnect the external cables and power cords, and turn on the computer.



## Cabling an optional SCSI adapter

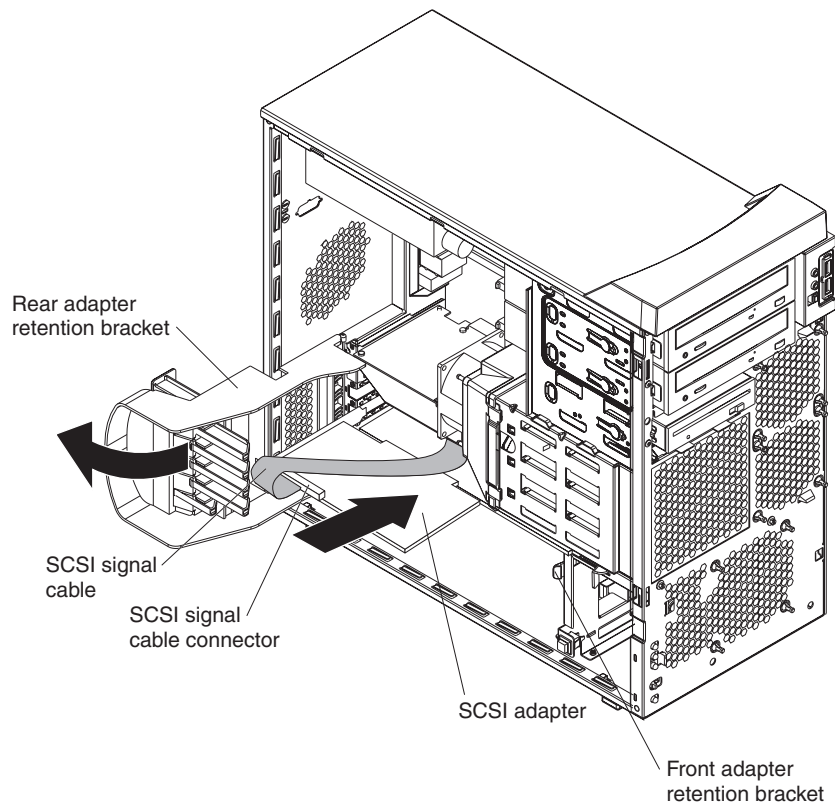
You can install an optional SCSI adapter in your computer to control the internal hard disk drives and provide additional RAID capabilities. With a SCSI adapter installed, you can configure the internal hard disk drives into disk arrays. You can also cable a SCSI adapter to external hard disk drives. See your SCSI adapter option documentation for complete instructions for installing a SCSI adapter in your computer and for additional information about SCSI adapters.

### Notes:

1. The SCSI cables that are used by the integrated SCSI controller cannot be used with an optional SCSI adapter.
2. If you install a ServeRAID 6i+ adapter, it must be installed in slot 5; no cabling is required for this adapter.

Complete the following steps to cable an optional SCSI adapter:

1. Install the SCSI adapter (see “Installing an adapter” on page 39).
2. Connect the SCSI-signal cable to the adapter and one or more of the signal cable connectors to the rear of the SCSI devices.
3. Connect the SCSI-activity-indicator cable to the adapter and to the SCSI-LED connector on the system board. See “System-board internal connectors” on page 36 for the location of the SCSI-LED connector.



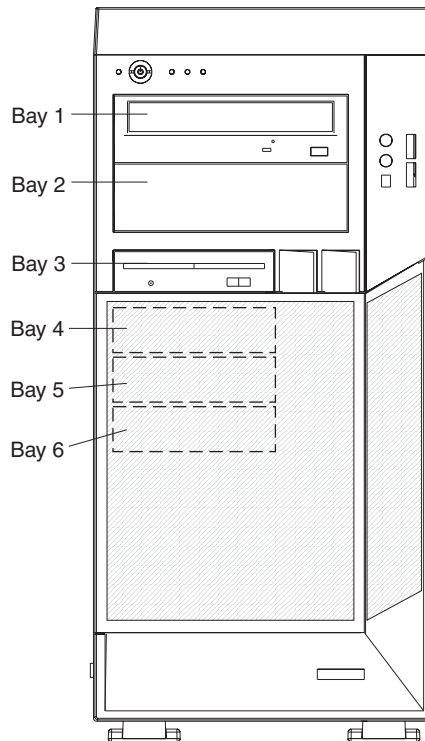
4. Complete the installation of the optional SCSI adapter.

## Installing a drive

Depending on your computer model, one or more of the following drives might be installed in your computer:

- Diskette drive (optional)
- Hard disk drive
- CD-ROM, CD-RW, or DVD/CD-RW combo drive

Your Z Pro Type 6223 computer comes with an IDE CD-ROM drive in bay 1 and a hard disk drive in bay 4.



The following notes describe the types of drives that your computer supports and other information that you must consider when installing drives:

- Make sure that you have all the cables and other equipment specified in the documentation that comes with the drive.
- Select the bay in which you want to install the drive.
- Check the instructions that come with the drive to see whether you need to set any switches or jumpers on the drive. If you are installing a SCSI device, be sure to set the SCSI ID for that device.
- You can install removable-media drives in bays 1, 2, and 3 only. Tape drives, diskette drives, CD-ROM, DVD/CD-RW, and DVD-ROM drives are examples of removable-media drives.
- You can install a 3.5-in. slim-high or 5.25-in. half-high removable-media drive, such as a tape backup drive, in bay 2.
- You can install a diskette drive or a 3.5-in slim-high hard disk drive in bay 3.
- To install a 3.5-in. drive in a 5.25-in. bay, you must use the 5.25-in. conversion kit.
- Your computer supports only one diskette drive: either a diskette drive in bay 3 or a USB drive connected to the USB connector on the front of the computer.

- Two Serial ATA hard disk drive connectors are on the system board.
- If you install SCSI hard disk drives and SATA hard disk drives in the same computer, note the following HostRAID considerations for hard disk drives:
  - You can enable HostRAID on only one subsystem (SCSI or SATA).
  - If HostRAID is enabled on a subsystem, you can install boot hard disk drives on that subsystem only.

If you fail to observe these restrictions, the computer will usually disable the BIOS for the last subsystem loaded, which typically is SCSI.

For more information about HostRAID, see “Using the Adaptec HostRAID configuration programs” on page 26.

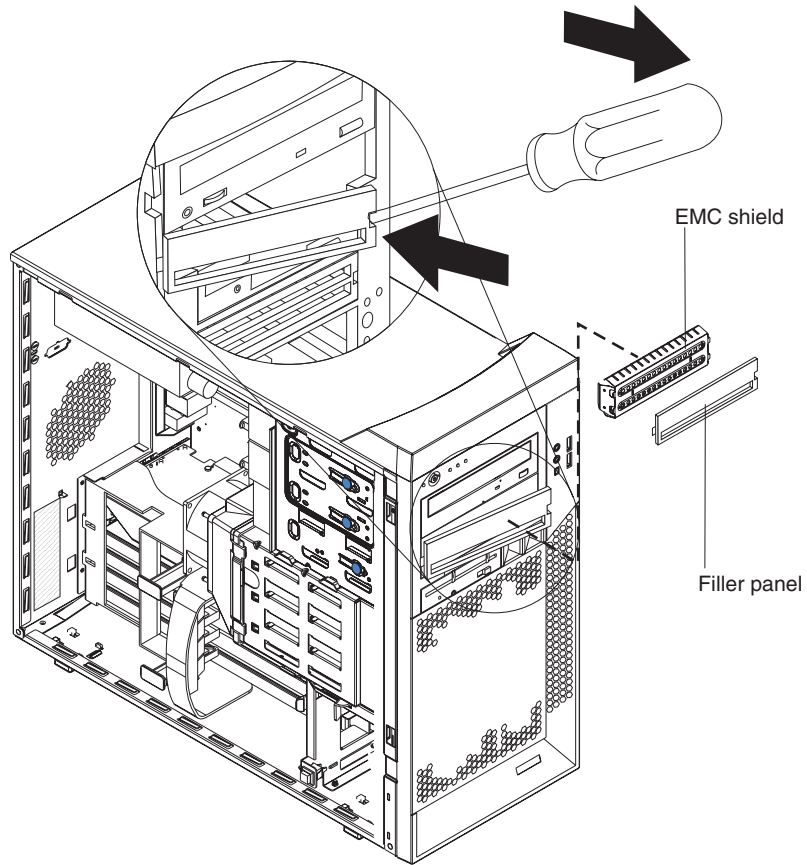
- The electromagnetic interference (EMI) integrity and cooling of the computer are protected by having all bays, PCI, and PCI-X slots covered or occupied. When you install a drive, PCI adapter, or PCI-X adapter, save the EMC shield and filler panel from the bay or the adapter slot cover in the event you later remove the drive or adapter.
- For a complete list of supported options for your computer, go to <http://www.ibm.com/pc/>; then, select your country and navigate to the list of options for your computer.

### **Installing a drive in bay 2 or 3**

Complete the following steps to install a drive in bay 2 or 3:

1. Read the safety information beginning on page vii and “Installation guidelines” on page 33.
2. Turn off the computer and peripheral devices, and disconnect the power cords and all external cables.
3. Remove the side cover (see “Removing the side cover” on page 38).
4. Remove the bezel (see “Removing the bezel” on page 39).

5. Use a screwdriver to pry the filler panel and EMC shield away from the computer.



**Note:** If you are installing a drive that contains a laser, observe the following safety precaution.

### Statement 3



#### CAUTION:

When laser products (such as CD-ROMs, DVD drives, fiber optic devices, or transmitters) are installed, note the following:

- Do not remove the covers. Removing the covers of the laser product could result in exposure to hazardous laser radiation. There are no serviceable parts inside the device.
- Use of controls or adjustments or performance of procedures other than those specified herein might result in hazardous radiation exposure.



#### Danger

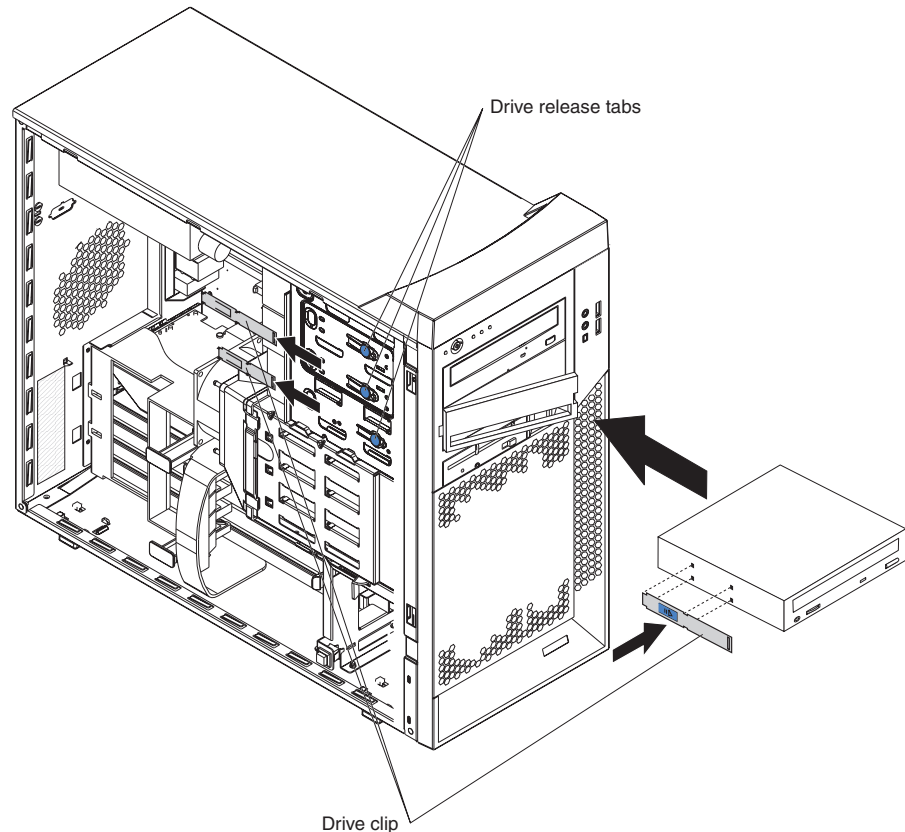
Some laser products contain an embedded Class 3A or Class 3B laser diode. Note the following. Laser radiation when open. Do not stare into the beam, do not view directly with optical instruments, and avoid direct exposure to the beam.

Class 1 Laser Product  
Laser Klasse 1  
Laser Klass 1  
Luokan 1 Laserlaite  
Appareil À Laser de Classe 1

6. Touch the static-protective package containing the drive to any unpainted metal surface on the computer; then, remove the drive from the package and place it on a static-protective surface.
7. Set any jumpers or switches on the drive according to the documentation that comes with the drive.

**Note:** You might find it easier to install the new drive from the front and then attach the cables.

8. To install a drive in bay 2, complete the following steps:
  - a. Remove the large drive clip attached to the side of bay 2 of the drive cage for bays 1, 2, and 3 (see the figure below). Slide the drive clip to the left to disengage it from the drive cage; then, snap the drive clip into the screw holes on the side of the drive.



- b. If you are installing a 5.25-in. drive in bay 2, slide the drive into the drive bay until it snaps in place. If you are installing a 3.5-in. drive in bay 2, you must attach the 5.25-in. conversion kit, which you can order from IBM, to the 3.5-in. drive.
  - c. Continue with step 10.
9. To install a drive in bay 3, use one of the following procedures:

**Note:** Only a 3.5-in. device can be installed in bay 3.

- If you are installing an external media device in bay 3, complete the following steps:
  - a. Remove the small drive clip that is attached to the side of bay 3 of the drive cage for bays 1, 2, and 3 (see the figure above). Slide the drive clip to the left to disengage it from the drive cage; then, snap the drive clip into the screw holes on the side of the drive.
  - b. Slide the drive into the drive bay until it snaps in place.
  - c. Continue with step 10.
- If you are installing a hard disk drive in bay 3, complete the following steps:
  - a. Push the drive into the bay from the rear of the drive cage; then, use the two screws to attach the drive to the drive cage.
  - b. Continue with step 10.

10. Determine whether the drive is an IDE or SCSI device; then, connect one end of the applicable signal cable into the back of the drive and make sure that the other end of this cable is connected into the applicable IDE or SCSI connector on the system board.
11. Route the signal cable so that it does not block the airflow to the rear of the drives or over the microprocessor and memory.
12. If you have another drive to install or remove, do so now.
13. Connect the power cable to the back of the drive. The connectors are keyed and can be inserted only one way.
14. If you have other options to install or remove, do so now; otherwise, replace the bezel (see “Replacing the bezel” on page 63) and replace the side cover (see “Replacing the side cover” on page 64).

### **Installing a SCSI or SATA drive in bay 4, 5, or 6**

Some models come with non-hot-swap SCSI hard disk drives or Serial ATA (SATA) hard disk drives. Before you install a hard disk drive in bays 4, 5, and 6, read the following information:

- Read the documentation that comes with the drive for cabling instructions.
- Route the cable before you install the drive. Do not block the airflow from the fans.
- You can install up to four SCSI hard disk drives in your computer (SCSI models only).
- Your computer supports up to two Serial ATA hard disk drives.

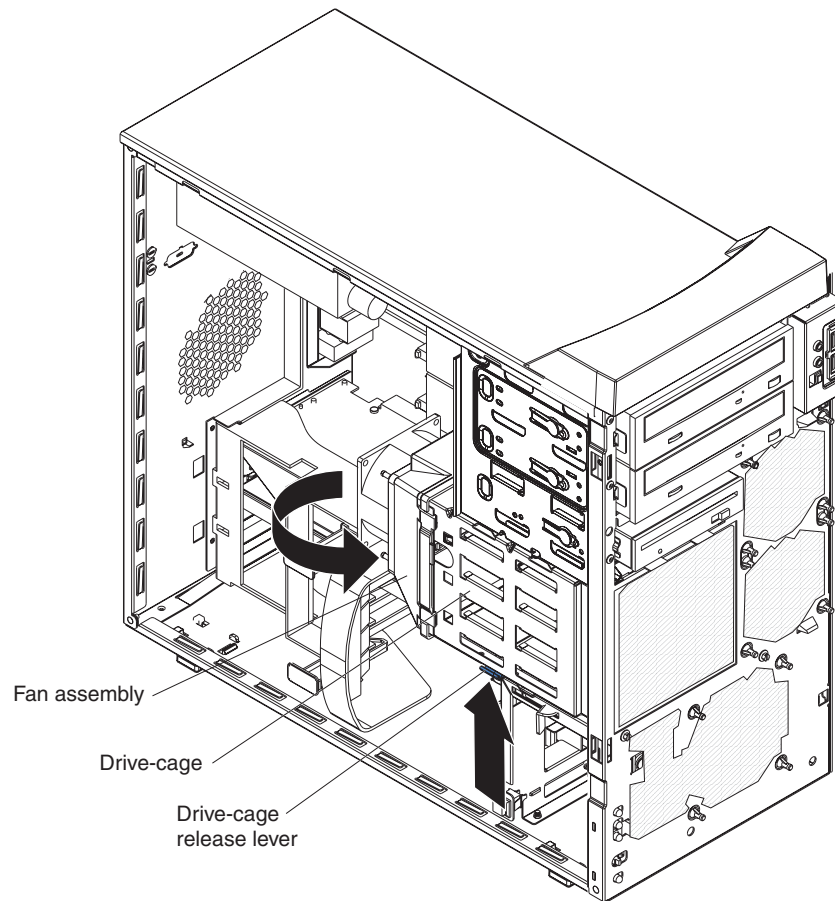
**Note:** Your computer can support a third and fourth SATA drive if you install an optional ServeRAID-7t S-ATA controller. In addition, if you install the optional ServeRAID-7t S-ATA controller to add a third and fourth drive, all four SATA drives must then be connected to the ServeRAID-7t S-ATA controller instead of the system board. See the optional ServeRAID-7t S-ATA controller documentation for cabling instructions.

If you purchase a new SATA hard drive, you will also need to purchase a signal cable for it. IBM SATA hard drive option comes with a signal cable.

- Install hard disk drives in this sequence: bay 4, bay 5, bay 6, and then bay 3. See “Installing a drive in bay 2 or 3” on page 45 for information about how to install a hard disk drive in bay 3.

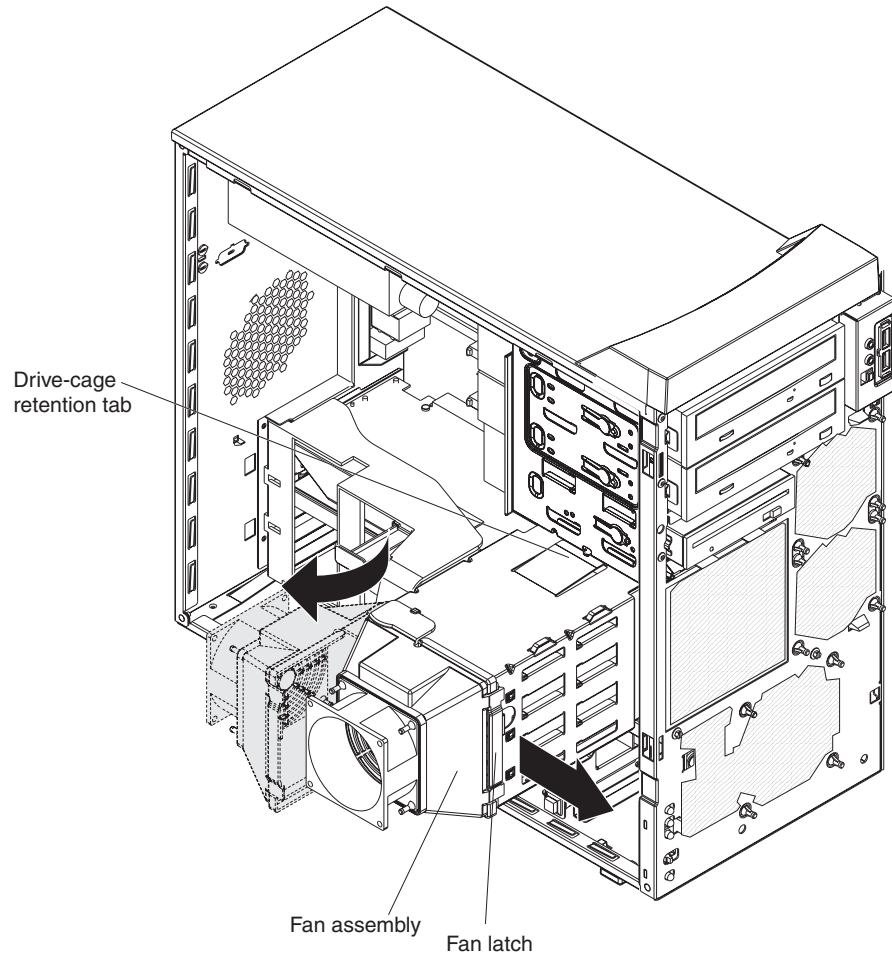
Complete the following steps to install a SCSI or Serial ATA (SATA) hard disk drive:

1. Read the safety information beginning on page vii and the “Installation guidelines” on page 33.
2. Turn off the computer and peripheral devices and disconnect all external cables and power cords.
3. Unlock the side cover.
4. Remove the side cover (see “Removing the side cover” on page 38).
5. Disconnect the fan connector for the fan that is attached to the back of the drive cage from the system board.
6. Press in on the drive-cage release lever and rotate the drive cage all the way out of the computer until it locks into place over the drive-cage retention tab. The open ends of the drive slots and installed drives will face you.



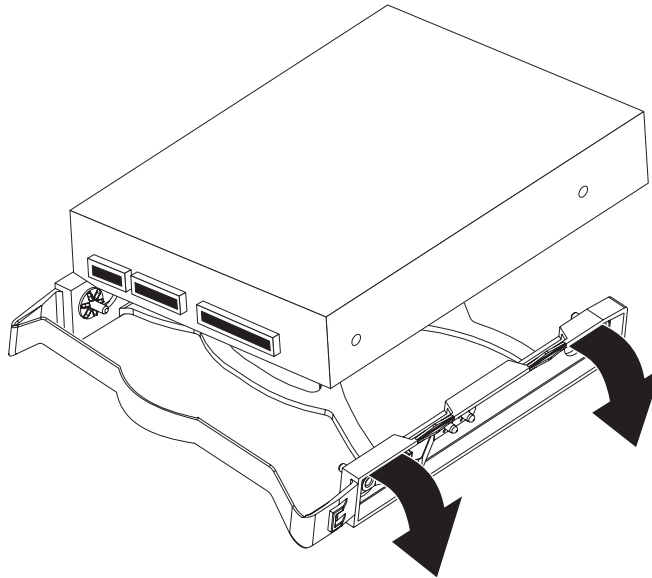


7. Grasp the fan latch on the fan assembly that is over the drive cage and pull it outward to disengage it from the drive cage and rotate it to the side.



8. If your computer has preinstalled hard disk drives in the drive cage, disconnect the power and signal cables from the rear of the drives.
9. Remove the empty drive tray from the drive bay in which you want to install the drive.
10. Touch the static-protective package containing the drive to any unpainted metal surface on the computer; then, remove the drive from the package and place it on a static-protective surface.
11. Set any jumpers or switches on the drive according to the documentation that comes with the drive.

12. Attach the new drive to the drive tray. Place the drive on the drive tray and align the holes on the drive with the mounting pins on the drive tray. Gently pull both sides of the drive tray outward and insert the mounting pins into the holes on the drive.



13. Align the drive assembly with the guide rails in the bay (make sure that the connector end of the drive is facing you).
14. Gently slide the drive assembly into the drive bay until the drive snaps into place.
15. Determine whether the new drive is a Serial ATA or SCSI device; then, connect one end of the applicable signal cable into the back of the drive and the other end of this cable into the applicable Serial ATA or SCSI connector on the system board. See “Power and signal cables for internal drives” for additional information about cabling drives and “System-board internal connectors” on page 36 for the location of the Serial ATA and SCSI connectors on the system board. If there are open connectors on the cables connecting existing Serial ATA or SCSI drives, you can use these cables to connect the new drive.
16. Route the signal cable so that it does not block the airflow to the rear of the drives or over any microprocessor.
17. Connect the power cables to the back of the drives. The connectors are keyed and can be inserted only one way.
18. Push the drive cage outward, and press in on the drive-cage release tab; then, rotate the drive cage back into the computer.
19. Reconnect the connector for the fan that is attached to the back of the drive cage to the system board.
20. If you have other options to install or remove, do so now. Otherwise, replace the side cover (see “Replacing the side cover” on page 64).
21. Reconnect the external cables and power cords; then, turn on the attached devices and the computer.

### **Power and signal cables for internal drives**

Your computer uses cables to connect IDE, Serial ATA, and SCSI devices to the power supply and to the system board. (See “System-board internal connectors” on page 36 for the location of system-board connectors.) Review the following information before connecting power and signal cables to internal drives:

- The drives that are preinstalled in your computer come with power and signal cables attached. If you replace any drives, remember which cable is attached to which drive, or label the cables.
- When you install a drive, make sure that one of the signal-cable connectors is connected to the drive and that the connector at the other end of the signal cable is connected to the system board.
- The computer has one IDE bus, which is primary.
- If you have only one IDE device on a cable, it must be set as a master device.

The following cables are provided:

- **Power cables:** Four-wire power cables connect the drives to the power supply. At the end of these cables are plastic connectors that attach to different drives; these connectors vary in size. With Serial ATA drives, you can use either a four-wire power cable or a five-wire Serial ATA power cable, but do not use both at the same time (use one or the other).
- **Signal cables:** Signal cables typically are flat cables, also called ribbon cables, that connect IDE, Serial ATA, SCSI, and diskette drives to the system board. Two or three types of signal cables come with your computer:
  - **IDE:** The wider IDE signal cable has three connectors. One of these connectors is attached to the drive, one is a spare, and the third is attached to the primary or secondary IDE connector on the system board. The spare connector can be used to connect additional IDE drives to your computer.

**Note:** The optical drive is attached to an ATA 100 signal cable. ATA 100 signal cables are color-coded. The blue connector is connected to the system board. The black connector is connected to the master IDE device. The gray middle connector is connected to the subordinate IDE device.

- **Serial ATA:** The narrower, black signal cable has two connectors. One is connected to the SATA drive, and the other is connected to the connector on the system board. Each SATA drive comes with a cable. If you install an additional SATA drive, you will need an additional cable.
- **SCSI:** The following cables can be used to attach SCSI devices to the integrated SCSI controller on the system board:
  - An Ultra320 twisted ribbon cable connects the internal Ultra320 SCSI hard disk drive to the SCSI connector on the system board. This cable has four additional connectors for attaching more internal SCSI devices.
  - A round SCSI cable connects external SCSI devices to the integrated SCSI controller on the system board. For more information about connecting SCSI devices, see the SCSI documentation.

## Installing memory modules

The following notes describe the types of dual inline memory modules (DIMMs) that the computer supports and other information that you must consider when installing DIMMs:

- The computer comes with either two 256 MB or two 512 MB memory DIMMs installed in DIMM 1 and DIMM 2 memory connectors. The second pair of DIMMs must be installed in DIMM 3 and DIMM 4 memory connectors and the third pair in DIMM 5 and DIMM 6 memory connectors.
- DIMMs must be installed in matched pairs. The DIMMs in each pair must be the same size, speed, type, and technology as each other but do not have to match the other pairs. You can mix compatible DIMMs from various manufacturers.
- Install only 1.8 V, 184-pin, double-data-rate 2 (DDR2), PC2-3200, registered, synchronous dynamic random-access memory (SDRAM) with error correcting code (ECC), dual inline memory modules (DIMMs). These DIMMs must be compatible with the latest PC2-3200 SDRAM buffered DIMM specification. For a list of supported options for your computer, go to <http://www.ibm.com/pc/>; then, select your country and navigate to the list of options for your computer.
- The DIMM-installation sequence is based on single-rank, double-rank, and mixing single-rank and double-rank memory DIMMs. *Single-rank* DIMMs are 256 MB, 512 MB, and 1 GB memory modules. *Double-rank* DIMMs are 2 GB memory modules. The following table lists the DIMM-installation sequence for the computer maximum memory capacity using mixed single-rank and double-rank DIMMs.

### Notes:

1. Do not install four, 2 GB double-rank DIMMs for the computer maximum capacity (8 GB) configuration, the computer does not support it.
2. You can install pairs of 256 MB, 512 MB, 1 GB, and 2 GB DIMMs in the computer, but for the computer maximum capacity, you must use the DIMM-sequence in the table below.
3. You can install any combination of DIMM pairs in the computer, however, you can install only two, 2 GB double-rank DIMMs in the computer and they must go in DIMM connectors 1 and 2. Do not install 2 GB double-rank DIMMs in any connectors other than DIMM connectors 1 and 2.
4. If you order memory DIMMs from IBM, the variable *2R* in the description indicates that the DIMM is a double-rank 2 GB DIMM.

Table 2. Maximum memory capacity (8 GB) and installation sequence mixing single-rank and double-rank DIMMs

DIMM pair	DIMM connectors	DIMM size	Rank
First pair	1, 2	2 GB	Double-rank
Second pair	3, 4	1 GB	Single-rank
Third pair	5, 6	1 GB	Single-rank

- The system board contains six DIMM connectors and supports two-way memory interleaving when the DIMMs are installed in pairs and functioning properly. If one DIMM in the pair fails, the computer runs in single-channel mode (non-interleaving). A failed DIMM must be replaced as soon as possible; otherwise, the computer will not start (boot).
- The DIMM options that are available for the computer are 256 MB, 512 MB, 1 GB, and 2 GB memory modules. The computer supports a minimum of 512 MB and a maximum of 8 MB (when using 2 GB double-rank DIMMs) of system memory.

**Important:** Although the computer supports a maximum of 8 GB of system memory, the Microsoft Windows operating systems recognize and support a maximum of 4 GB of system memory.

- The memory controller in the computer provides Chipkill memory protection if the DIMMs are 1 GB or larger, or if the computer is populated with 512 MB x4 DIMMs. Chipkill memory protection is a technology that protects the computer from a single chip failure on a DIMM.
- The amount of usable memory is reduced depending on the system configuration. A certain amount of memory must be reserved for system resources. The BIOS displays the total amount of installed memory and the amount of configured memory.

Complete the following steps to install DIMMs:

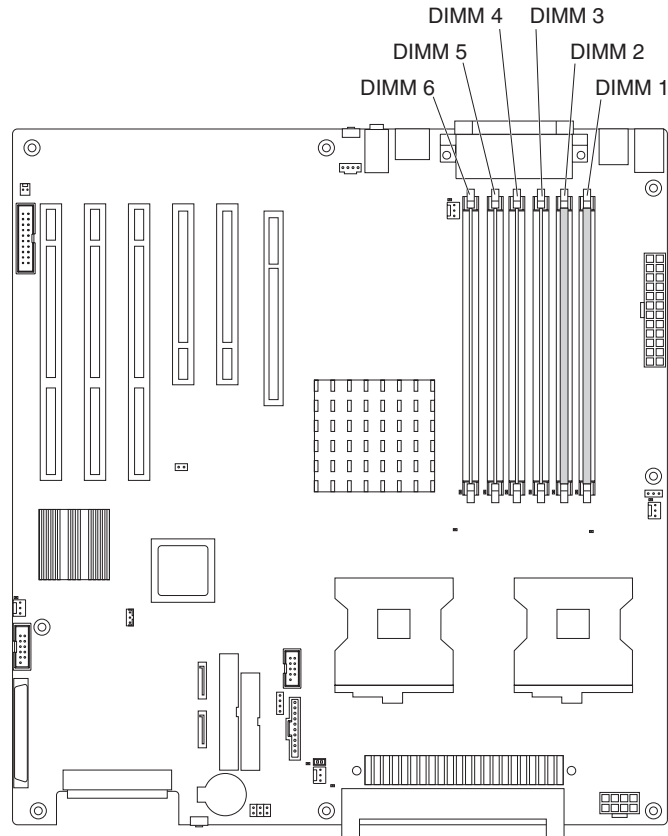
1. Read the safety information beginning on page vii and “Handling static-sensitive devices” on page 33
2. Turn off the computer and all attached devices (see “Turning off the computer” on page 19); then, disconnect all power cords and external cables.
3. Remove the side cover (see “Removing the side cover” on page 38).
4. Locate the DIMM connectors on the system board. Determine the connectors into which you will install the DIMMs. See Table 2 on page 54 for additional information on DIMM-installation sequences.

*Table 3. DIMM installation sequence*

<b>DIMM pair</b>	<b>DIMM connectors</b>
First pair	1, 2
Second pair	3, 4
Third pair	5, 6

5. Gently open the retaining clip, if necessary, remove any existing DIMM.
6. Touch the static-protective package containing the DIMM to any unpainted metal surface on the computer. Then, remove the new DIMM from the package.
7. Gently open the retaining clip on each end of the DIMM slot. Turn the DIMM so that the pins align correctly with the connector.

8. Insert the DIMM into the connector. Firmly press the DIMM straight down into the connector by applying pressure on both ends of the DIMM simultaneously. The retaining clips snap into the locked position when the DIMM is firmly seated in the connector. If there is a gap between the DIMM and the retaining clips, the DIMM has not been correctly installed. Open the retaining clips, remove the DIMM, and then reinsert it.



9. If you have other options to install or remove, do so now. Otherwise, replace the side cover (see “Replacing the side cover” on page 64).
10. Reconnect the external cables and power cords. Turn on the attached devices, and turn on the computer.

## Installing a second microprocessor

Your computer comes with one microprocessor installed on the system board. Your computer supports up to two microprocessors. With two microprocessors, your computer can operate as a symmetric multiprocessing (SMP) computer. With SMP, certain operating systems and application programs can distribute the processing load among the microprocessors.

**Note:** When installing microprocessor options, lay the computer on its side.

The following notes describe information that you must consider when installing an additional microprocessor in your computer:

- Read the documentation that comes with the microprocessor to determine whether you need to update the computer basic input/output system (BIOS) code. The most current level of BIOS code for the computer is available from <http://www.ibm.com/pc/support/>.
- (Optional) Obtain an SMP-capable operating system. For a list of supported operating systems, go to <http://www.ibm.com/pc/us/compat/>.
- To ensure proper computer operation, use microprocessors that have the same cache size and type, and the same clock speed. Microprocessor internal and external clock frequencies must be identical. You can use the Configuration/Setup Utility program in your computer to determine the specific type of microprocessor on your system board.

**Important:** The first microprocessor must always be installed in the Microprocessor 1 socket.

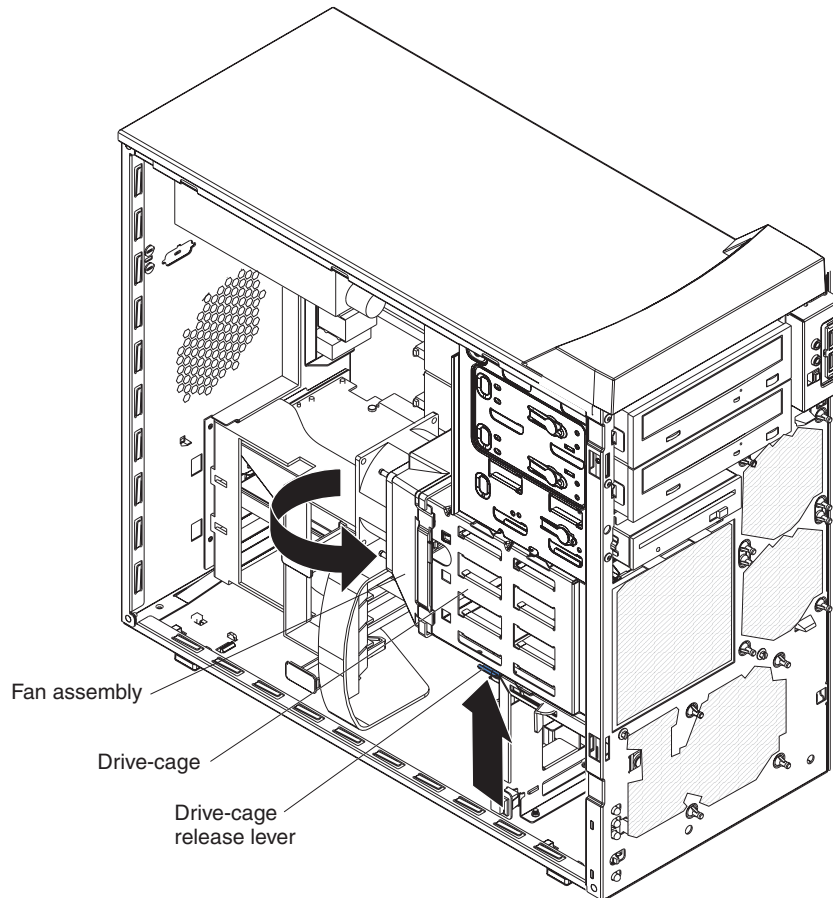
- The microprocessor speeds are automatically set for this computer; therefore, you do not need to set any microprocessor frequency-selection jumpers or switches.
- Terminator cards are not required for empty microprocessor sockets. However, for airflow, an empty microprocessor socket must contain a microprocessor baffle.
- If you need to replace a microprocessor, call for service.
- For additional illustrations of the system-board components, see “System-board option connectors” on page 35.
- To order additional microprocessor options, contact your IBM marketing representative or authorized reseller.
- For a list of supported microprocessor options for your computer, go to <http://www.ibm.com/pc/>; then, select your country and navigate to the list of options for your computer

The Microsoft Windows XP operating system that comes preinstalled on your computer automatically configures itself when an additional microprocessor is installed. Other operating systems might have to be manually configured to support an additional microprocessor. See the *User's Guide* on the IBM *IntelliStation Documentation* CD for instructions.

Complete the following steps to install an additional microprocessor:

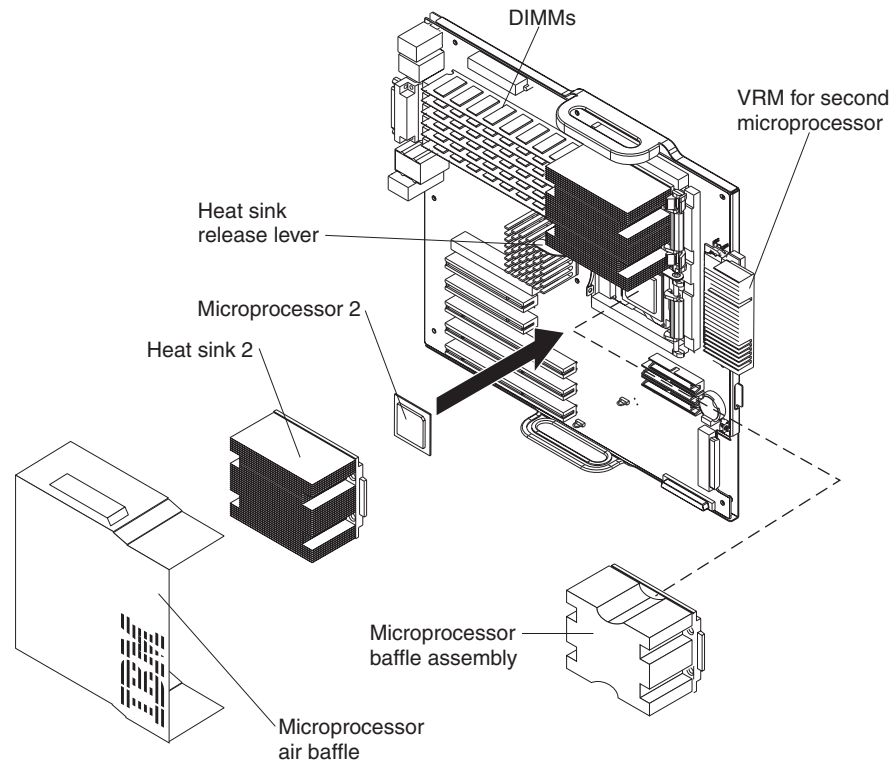
1. Read the safety information beginning on page vii and the guidelines in “Handling static-sensitive devices” on page 33.
2. Turn off the computer and all attached devices. (See “Turning off the computer” on page 19.)

3. Disconnect all external cables and power cords; then, remove the side cover (see “Removing the side cover” on page 38).
4. Remove the side cover (see “Removing the side cover” on page 38).
5. Disconnect the fan connector for the fan that is attached to the back of the drive cage from the system board.
6. Press in on the drive-cage release lever and rotate the drive cage all the way out of the computer until it locks into place over the drive-cage retention tab. The open ends of the drive slots and installed drives will face you.



7. Move or disconnect any cables that might be in the way so you can remove the microprocessors' air baffle.
8. Remove the air baffle for the microprocessors by pulling it outward and lifting it out of the computer.



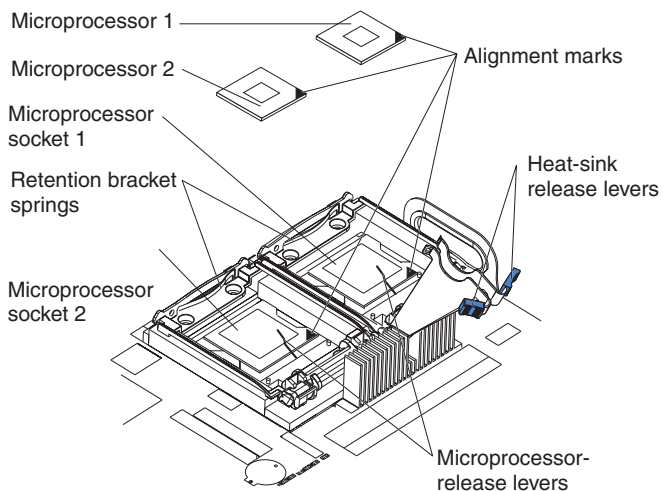


9. Locate the second microprocessor socket (Microprocessor 2) on the system board.
10. Remove the microprocessor baffle assembly from the second microprocessor socket.
  - a. Press down on the blue touch point of the heat-sink release lever and rotate the lever all the way out until it stops.
  - b. Grasp the front of the microprocessor baffle assembly and tilt it up while pulling the rear flange out of the heat-sink retention module; then, lift it out of the computer and store it in a safe place.
11. If the second microprocessor socket is covered with protective film or a label, peel and remove the film or label.
12. Install the microprocessor:
  - a. Touch the static-protective package containing the new microprocessor to any *unpainted* metal surface on the computer; then, remove the microprocessor from the package.
  - b. Rotate the locking lever on the microprocessor socket from its closed and locked position until it stops or clicks in the fully open position (approximately 135°).
 

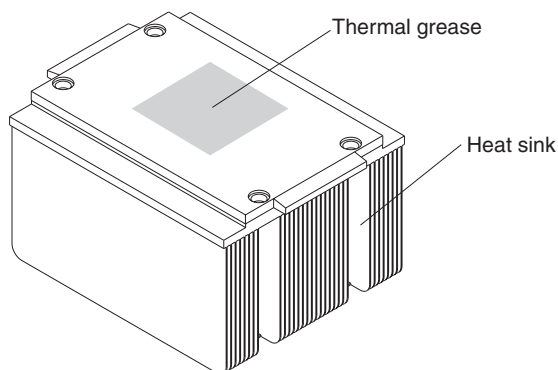
**Attention:** You must ensure that the locking lever on the microprocessor socket is in the fully open position before you insert the microprocessor in the socket. Failure to do so might result in permanent damage to the microprocessor, microprocessor socket, and system board.
  - c. Position the microprocessor over the microprocessor socket. Align the triangle on the corner of the microprocessor with the triangle on the corner of the socket and carefully press the microprocessor into the socket.

**Attention:**

- 1) Do not use excessive force when pressing the microprocessor into the socket.
- 2) Make sure that the microprocessor is oriented and aligned correctly with pin number 1 in the socket before you try to close the lever. The following illustration shows the alignment marks for both microprocessors and sockets.



- d. Carefully close the lever to secure the microprocessor in the socket.
13. Install the heat sink on the microprocessor.



- a. Remove the plastic cover from the bottom of the heat sink.  
**Attention:** Do not set the heat sink down after you remove the plastic cover, and do not touch the thermal grease on the bottom of the heat sink. Touching the thermal grease will contaminate it. If the thermal grease on the microprocessor or heat sink becomes contaminated, contact your service technician.
- b. Align the heat sink (grease side down) over the microprocessor and retention bracket.
- c. Slide the rear flange of the heat sink rearward into the opening beneath the retention-bracket spring.
- d. Press down firmly on the front of the heat sink until it is seated correctly.
- e. Secure the heat sink to the microprocessor by rotating the heat-sink release lever to the closed position and hooking it underneath the tab on the microprocessor socket.
- f. Insert the voltage regulator module (VRM) into the VRM connector.

14. Replace the air baffle for the microprocessors. Slant the front of the air baffle for the microprocessors downward at an angle while moving it forward; then, rotate the rear of the air baffle down until it snaps into place (it will become stationary).
15. Rotate the drive cage back into the computer and reconnect the fan connector on the fan assembly on the drive cage to the system board.
16. If you have other options to install or remove, do so now. Otherwise, replace the side cover (see “Replacing the side cover” on page 64).
17. Reconnect the external cables and power cords. Turn on the attached devices, and turn on the computer.

## Installing an external SCSI cable

To install an external SCSI connector on the rear of the computer, install an external SCSI interface option. For a list of supported external SCSI interface options for your computer, go to <http://www.ibm.com/pc/>.

The external SCSI interface option contains a SCSI cable with a connector at one end and on the other end another connector or an expansion-slot cover with an embedded connector. Complete the following steps to install and route the SCSI cable in the computer:

1. Turn off the computer and all peripheral devices. Disconnect all power cords; then, disconnect all external signal cables from the computer.
2. Remove the side cover (see “Removing the side cover” on page 38).
3. Open the front adapter-retention bracket and remove the rear adapter-retention bracket from the PCI-X slots (see “Installing an adapter” on page 39 for instructions). You might also have to remove longer adapters for access to the SCSI connectors on the system board.
4. Connect the SCSI signal cable to the connector for SCSI channel A on the system board. See “System-board internal connectors” on page 36 for the location of the SCSI channel A connector.
5. Route the SCSI cable between the chassis and PCI-X slot 5 to the back of the computer. Make sure that the cable does not block the flow of air to the microprocessors or hard disk drives.
6. Attach the external connector to the rear of the computer.
  - If the external end of the SCSI cable has a standard SCSI connector, complete the following steps:
    - a. Remove the SCSI-connector knockout from the rear of the computer.
    - b. Insert the external SCSI connector on the SCSI cable into the knockout opening and secure it with the attached screws.
  - If the external end of the SCSI cable has an expansion-slot cover with an embedded connector, complete the following steps:
    - a. Remove an expansion-slot cover from an available PCI-X slot.
    - b. Insert the expansion-slot cover with embedded connector into the slot opening.

7. Replace any adapters that you removed in step 3. Close the front adapter-retention bracket and replace the rear adapter-retention bracket.
8. Replace the cover (see “Replacing the side cover” on page 64).
9. Reconnect the external cables and power cords. Turn on the attached devices, and turn on the computer.
10. Use the SCSISelect program to configure SCSI channel A (see “Using the SCSISelect Utility program (some models)” on page 31).

## Installing a security rope clip

To help prevent hardware theft, you can add a security rope clip and cable to your computer. After you add the security cable, make sure that it does not interfere with other cables that are connected to the computer.

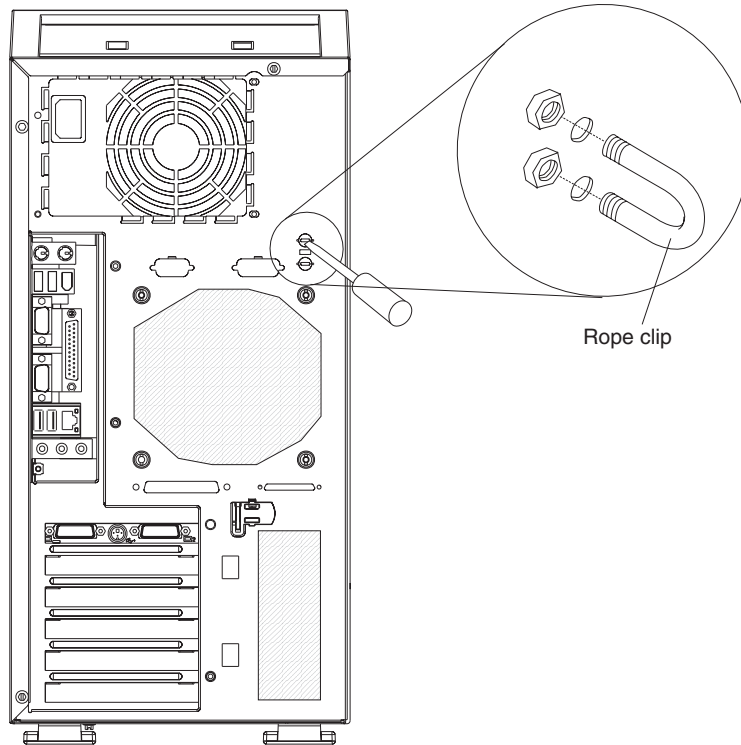
Before you begin, obtain the following items:

- A flat-blade screwdriver
- An adjustable wrench
- A 19-mm (0.75-in.) rope clip or wire rope (similar to National Manufacturing number 3230, stock number 176-735)
- Threaded nuts that fit the rope clip
- A security cable
- A lock, such as a combination lock or padlock

Complete the following steps to install a rope clip:

1. Turn off the computer and all attached devices.
2. Disconnect all external cables and power cords; then, remove the side cover. See “Removing the side cover” on page 38
3. Use a screwdriver to remove the two metal knockouts.
4. Insert the rope clip through the rear panel; then, attach and tighten the nuts.

5. Thread the cable through the rope clip and around an object that is not part of or permanently secured to the building structure or foundation and from which the cable cannot be removed. Fasten the cable ends together with a lock. After you add the security cable, make sure that it does not interfere with other cables that are connected to the computer.



6. If you have other options to install or remove, do so now; otherwise, replace the side cover (see “Replacing the side cover” on page 64).
7. Reconnect the external cables and power cords. Turn on the attached devices, and turn on the computer.

## Replacing the bezel

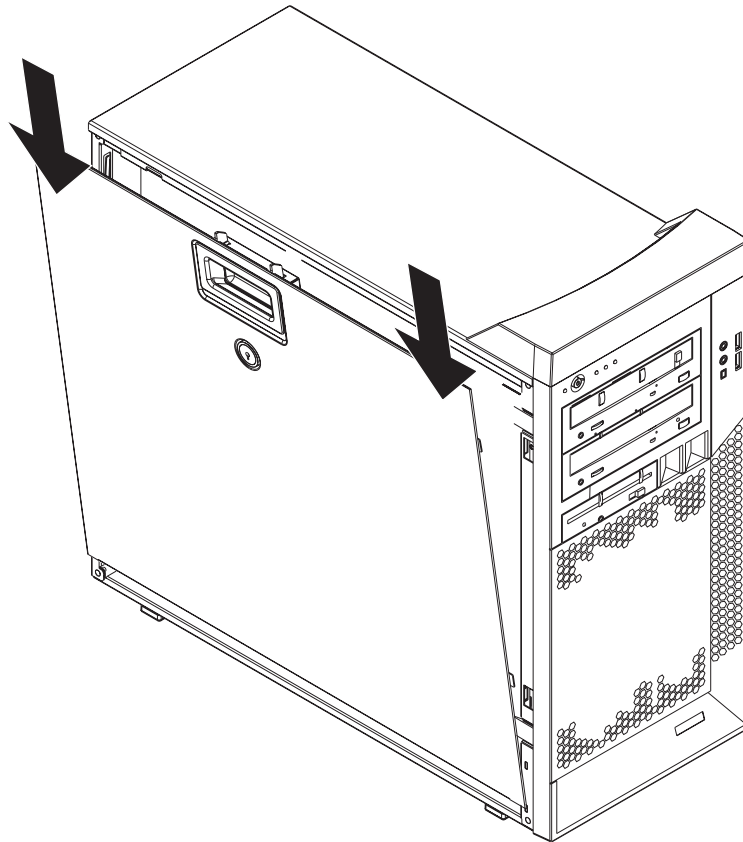
Complete the following steps to replace the bezel:

1. Insert the tabs on the side of the bezel into the matching holes on the computer chassis.
2. Push the bezel toward the computer until the tabs and bezel clips snap into place.

## Replacing the side cover

Complete the following steps to replace the side cover.

1. Before installing the cover, check that all cables, adapters, and other components are installed and seated correctly and that you have cleared all work tools from inside the computer.
2. Install the side cover by placing it into position on the computer. Make sure that the lip on the bottom of the cover rests inside the ledge on the bottom of the chassis before rotating the cover toward the computer. Press down and forward on the cover until it locks.



3. Reconnect the external cables and power cords to the computer.
4. Turn on the attached devices; then, turn on the computer.

---

## Connecting external options

You can connect a number of optional external devices to the connectors on the rear and front of the computer.

Complete the following steps to connect an external device:

1. Read the safety information beginning on page vii, the guidelines in “Handling static-sensitive devices” on page 33, and the documentation that comes with your options.
2. Turn off the computer and all attached devices (see “Turning off the computer” on page 19).
3. Follow the instructions that come with the option to prepare it for installation and to connect it to the computer.

If you are attaching a SCSI device, see “Ultra320 SCSI connector” on page 68 for SCSI ID and cabling information.

---

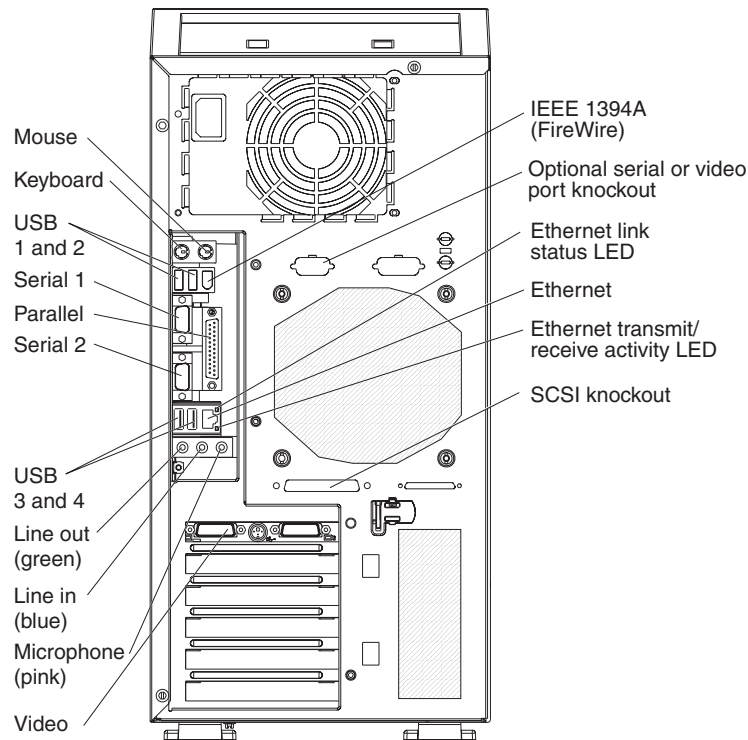
## Input/output connectors

Connect optional external devices to the connectors on the front and rear of the computer.

Your computer has the following input/output (I/O) connectors:

- One audio line in
- Two audio line out
- Two audio microphone
- One Ethernet
- Two IEEE 1394A (FireWire)
- One keyboard
- One mouse
- One parallel
- Two serial
- Six Universal Serial Bus (USB) 2.0
- One video

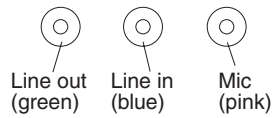
The following illustration shows the locations of the connectors on the rear of the computer. See “Controls, LEDs, and connectors” on page 9 for the locations of the connectors on the front of the computer.



The following sections describe these connectors.

## Audio connectors

Use the audio connectors to connect external audio equipment to the computer. The following illustration shows the audio connectors.



### Line in

There is one line-in connector on the rear of the computer. The computer receives audio signals through this connector from an external audio device.

### Line out

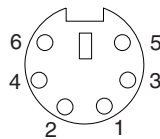
There are two line-out connectors, one on the front and one on the rear of the computer. The computer sends audio signals through this connector to powered speakers with built-in amplifiers, headphones, a multimedia keyboard, or the audio line-in connector on a stereo system. The internal speaker in the computer is disabled when a device is attached to this connector.

### Mic

There are two microphone connectors, one on the front and one on the rear of the computer. Connect a microphone to this connector to record sounds onto the hard disk or to use speech-recognition software.

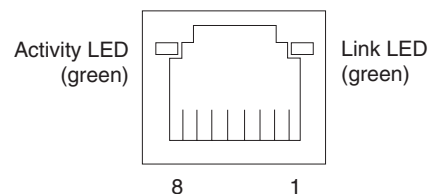
## Auxiliary-device (pointing-device) connector

There is one auxiliary-device connector on the rear of the computer. Use this connector to connect a mouse or other pointing device. The following illustration shows an auxiliary-device connector.



## Ethernet (RJ-45) connector

There is one Ethernet connector on the rear of the computer. Use this connector to connect the computer to a 10-Mbps, 100-Mbps, or 1000-Mbps network. The following illustration shows an Ethernet connector.



Connect a Category 3, 4, or 5 unshielded twisted-pair (UTP) cable to this connector. The 100BASE-TX and 1000BASE-T Fast Ethernet standards require Category 5 or higher cabling.

The Ethernet connector has one LED that indicates Ethernet-link status. When this LED is lit, it indicates that there is an active connection on the Ethernet port. Activity

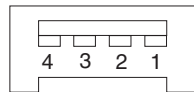


between the computer and the network is indicated by the Ethernet transmit/receive activity LEDs on the front and rear of the computer (see “Controls, LEDs, and connectors” on page 9).

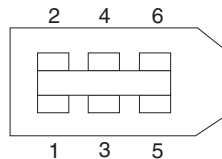
## IEEE 1394A (FireWire) connector

There is one 4-pin IEEE 1394A (FireWire) connector on the front of the computer and one 6-pin IEEE 1394A (FireWire) connector on the rear of the computer. Use these connectors to connect IEEE 1394 (FireWire) devices. The following illustrations show the IEEE 1394A (FireWire) connectors.

### 4-pin IEEE 1394A (FireWire) connector (front)

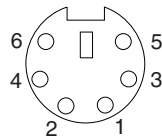


### 6-pin IEEE 1394A (FireWire) connector (rear)



## Keyboard connector

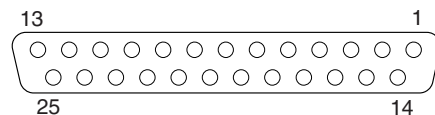
There is one keyboard connector on the rear of the computer. Use this connector to connect a PS/2 (non-USB) keyboard. The following illustration shows a keyboard connector.



If you attach a keyboard to this connector, USB ports and devices are disabled during the power-on self-test (POST).

## Parallel connector

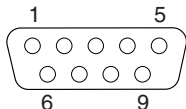
There is one parallel connector on the rear of the computer. Use this connector to connect a parallel device. The following illustration shows a parallel connector.



The parallel connector supports three standard Institute of Electrical and Electronics Engineers (IEEE) 1284 modes of operation: standard parallel port (SPP), enhanced parallel port (EPP), and extended capability port (ECP). If you configure the parallel port to operate in bidirectional mode, it supports the ECP and EPP modes. When the parallel connector is configured as bidirectional, use an IEEE 1284-compliant cable that does not exceed 3 meters (9.8 ft). Use the **Devices and I/O Ports** options in the IBM Configuration/Setup Utility program to configure the parallel connector as bidirectional.

## Serial connectors

There are two serial connectors on the rear of the computer. Use these connectors to connect serial devices. The following illustration shows a serial connector.

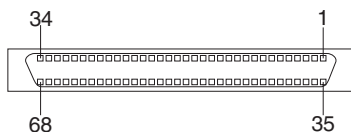


## Ultra320 SCSI connector

Your computer has an integrated SCSI controller. This dual-channel controller supports two independent, Ultra320 SCSI channels that support up to 15 SCSI devices each. The SCSI connectors for the channels are on the system board. The controller has the following features:

- Double-transition clocking to achieve up to 320 MBps (megabytes per second) data-transfer rates
- Domain name validation to negotiate compatible data-transfer speeds with each device
- Cyclic-redundancy checking (CRC) to improve data reliability
- An active terminator for SCSI bus termination

The following illustration shows a SCSI connector.



## SCSI cabling requirements

You can install four internal SCSI devices using the SCSI signal cable that comes with some computer models. If you plan to attach external SCSI devices, you can order an additional SCSI cable, remove the SCSI knockout from the rear of the computer, and connect the new cable from the SCSI channel A connector on the system board to this opening. To select and order the correct cables for use with external devices, contact your IBM marketing representative or authorized reseller. See “System-board internal connectors” on page 36 for the locations of the SCSI connectors.

If you want to attach external SCSI devices to the computer without using the internal SCSI channel B, you must install an optional SCSI adapter.

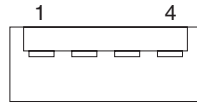
## Setting SCSI IDs

Each SCSI device that is connected to a SCSI controller must have a unique SCSI ID. This ID enables the SCSI controller to identify the device and ensure that different devices on the same SCSI channel do not attempt to transfer data simultaneously. SCSI devices that are connected to different SCSI channels can have duplicate SCSI IDs. See the information that comes with the device for instructions for setting its SCSI ID.

## Universal Serial Bus connectors

There are six Universal Serial Bus (USB) 2.0 connectors, two on the front and four on the rear of the computer. Use the USB connectors to connect optional telephony and multimedia devices. USB 2.0 technology transfers data at up to 480 Mbps (Mb per second) with a maximum of 127 external devices and a maximum signal

distance of 5 meters (16 ft) per segment (if the device that is attached to the computer is a USB 2.0 device). If multiple USB devices are attached to the computer, the USB hub must be USB 2.0; otherwise, all USB 2.0 devices will transfer data at 12 Mbps. Using Plug and Play technology, USB devices are configured automatically. The following illustration shows a USB connector.



Use a 4-pin USB cable to connect an external devices to a USB connector.

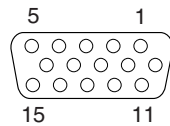
If you connect a PS/2 (non-USB) keyboard to the keyboard connector, USB ports and devices are disabled during power-on self-test (POST).

If you connect a USB keyboard that has a mouse port, the keyboard emulates a mouse, and you cannot disable the mouse settings in the Configuration/Setup Utility program.

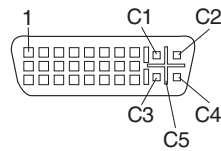
## Video connector

The PCI Express x16 adapter, which is in PCI slot 1 on the system board, provides the video connector. This connector is on the rear of the computer. Use the video connector to connect a monitor or other display device. The following illustrations show examples of different video connectors.

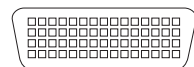
### Analog video connector



### Digital (DVI-I) video connector



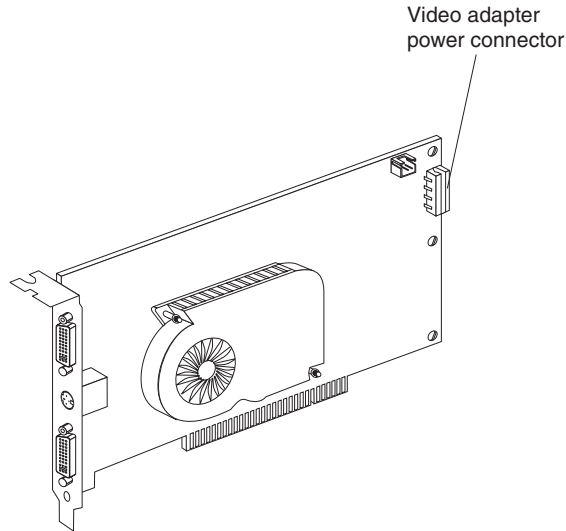
### Dual monitor system-59 (DMS-59) video connector



Some models come with a digital video interface (DVI) connector for connecting a digital monitor. If you have problems viewing information with a second monitor, see “Changing monitor settings” on page 15.

Models with the NVIDIA Quadro FX 1300 or NVIDIA Quadro FX 3400 video adapter come with a DVI-I to VGA style analog converter for each DVI-I connector.

**Attention:** To get the best performance from the NVIDIA Quadro FX 3400 video adapter, you must connect the video adapter to the computer power supply. Otherwise, the video adapter will be operating with very limited power, resulting in a decrease in performance for some applications. Use the PCI Express x16 external power drop to connect the video adapter to the computer power supply. The following illustration shows the location of the video adapter power connector.



Models with the NVIDIA Quadro NVS 280 video adapter come with a dual monitor system-59 (DMS-59) to dual-analog monitor pigtail cable. If you want to set up two digital monitors, you will have to purchase a separate dual-digital monitor cable.

---

## Chapter 5. Solving problems

This section provides basic troubleshooting information to help you solve some problems that might occur.

If you cannot diagnose and correct the problem using the information in this chapter, see Appendix A, “Getting help and technical assistance,” on page 103 for more information.

---

### Diagnostic tools overview

The following tools are available to help you diagnose and solve hardware-related problems:

- **Computer Support flowchart**

The Computer Support flowchart on the following page will help you determine how to get help from IBM and register your computer.

- **POST beep codes and error messages**

The power-on self-test generates beep codes and messages to indicate successful test completion or the detection of a problem. See “Power-on self-test (POST)” on page 73 for more information. Additional information is recorded in the post error logs. (For detailed information, see POST Error Log in Advanced Setup in “Configuration/Setup Utility menu choices” on page 22).

- **Diagnostic programs**

The system diagnostic programs are on a hidden partition on the hard disk. These programs are the primary methods of testing the major components of your computer. See “Diagnostic programs and error messages” on page 80 for more information.

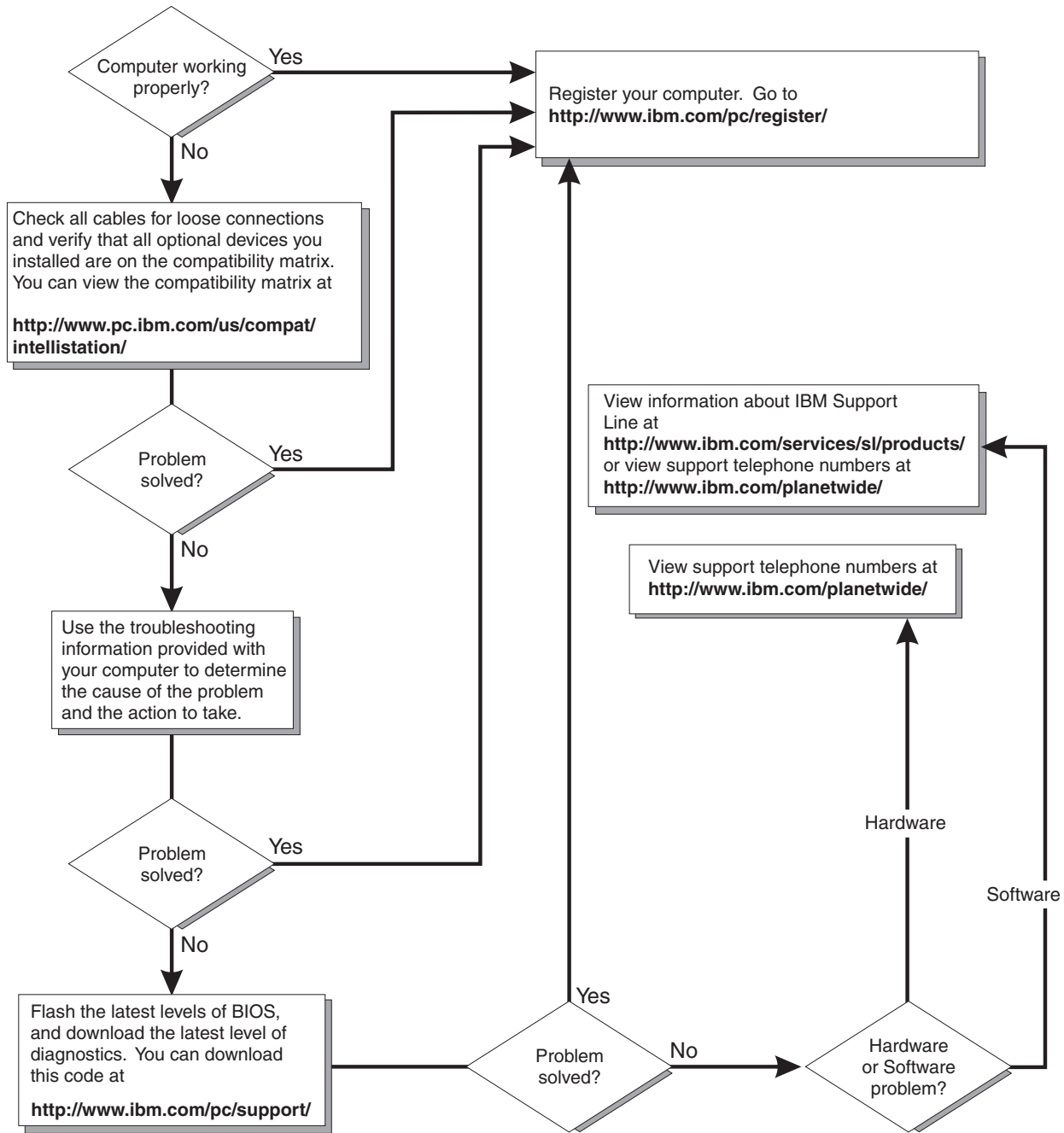
- **Troubleshooting charts**

These charts list problem symptoms and steps to correct each problem. See the “Troubleshooting charts” on page 88 for more information.

- **System-board error LEDs**

An LED on the system board might also be lit to help isolate an error indicated by the system error LED on the front of the computer. See the “System-board error LEDs” on page 95 for more information.

# Computer Support



---

## Power-on self-test (POST)

When you turn on the computer, the power-on self-test (POST) performs a series of tests to check the operation of system components and some of the installed options.

If POST finishes without detecting any problems, the first window of your operating system or application program opens.

If POST detects a problem, more than one beep sounds and an error message appears on the screen.

### Notes:

1. If you have set a user password, you must type the password and press Enter, when prompted, before the operating system will start.
2. A single problem might cause several error messages. When this occurs, work to correct the cause of the first error message. After you correct the cause of the first error message, the other error messages usually will be resolved the next time you run the test.

## POST beep codes

Use the following beep code descriptions to help diagnose and solve problems that are detected during startup:

### No beeps

If no beep occurs after the computer completes POST, call for service.

### Continuous beep

The startup (boot) microprocessor has failed, or the system board or speaker subsystem might contain a failing component. If the computer continues through POST with no errors, call for service. If no video appears, the startup processor has failed.

### Beep codes for specific failures

Beep codes indicating specific system problems are listed in the following table.

Table 4. POST beep codes

Beep code	Description	Action
1-1-3	CMOS write/read test has failed.	Call for service
1-1-4	BIOS EEPROM checksum has failed.	
1-2-1	Programmable interval timer test has failed.	
1-2-2	DMA initialization has failed.	
1-2-3	DMA page register write/read test has failed.	
1-3-1	First 64 Kb RAM test has failed.	Reseat the memory modules or install a memory module. If the problem remains, call for service.

Table 4. POST beep codes (continued)

Beep code	Description	Action
2-1-1	Secondary DMA register test has failed.	Call for service
2-1-2	Primary DMA register test has failed.	
2-1-3	Primary interrupt mask register test has failed.	
2-1-4	Secondary interrupt mask register test has failed.	
2-2-2	Keyboard controller test has failed.	
2-2-3	CMOS power failure and checksum checks have failed.	
2-4-1	Video failed, test indicates the system is operable.	Call for service
3-1-1	Timer tick interrupt test has failed.	
3-1-2	Interval timer channel 2 test has failed.	
3-1-3	RAM test has failed above address 0FFFFH.	
3-1-4	Time-of-day clock test has failed.	
3-2-1	Serial port test has failed.	
3-2-2	Parallel port test has failed.	
3-2-3	Math coprocessor test has failed.	
3-2-4	Comparison of CMOS memory size against actual has failed.	
3-3-1	A memory size mismatch has occurred.	
3-3-2	Critical SMBUS error occurred (I2C bus has failed).	Call for service
3-3-3	No optional memory in the system.  <b>Attention:</b> In some memory configurations, the 3-3-3 beep code might sound during POST followed by a blank display screen. If this occurs and the <b>Boot Fail Count</b> feature in the Start Options of the IBM Configuration/Setup Utility program is set to <b>Enabled</b> (its default setting), you must restart the computer three times to force the system BIOS to reset the memory connector from <b>Disabled</b> to <b>Enabled</b> .	Reseat the memory modules or install a memory module. If the problem remains, call for service.



## POST error messages

The following table provides information about the POST error messages that can appear during startup.

Table 5. POST error messages

POST message	Description
062	<p>The computer failed to start on three consecutive attempts.</p> <p>All caches are disabled. Repeatedly turning the computer on and off or resetting the computer might cause this problem.</p> <p><b>Action:</b> Complete the following steps to correct the problem:</p> <ol style="list-style-type: none"> <li>1. Start the Configuration/Setup Utility program and make sure that all settings are correct. Use the <b>Cache Control</b> selection in the <b>Advanced Setup</b> menu of the Configuration/Setup Utility program to enable the caches.</li> <li>2. Install a new battery. See “Replacing the battery” on page 101 for instructions.</li> </ol> <p>If the problem remains, call for service. When the problem is corrected, be sure to enable the caches.</p>
101, 102, and 106	<p>An error occurred during the system board and microprocessor test.</p> <p><b>Action:</b> Call for service.</p>
151	<p>A real-time clock (RTC) error occurred.</p> <p><b>Action:</b> Call for service.</p>
161	<p>The real-time clock battery has failed.</p> <p><b>Action:</b> Replace the battery yourself or call for service.</p> <p>You can use the computer until you replace the battery. However, you must run the Configuration/Setup Utility program and set the time and date and other custom settings each time you turn on the computer.</p>
162	<p>A change in device configuration occurred. This error occurs under one or more of the following conditions:</p> <ul style="list-style-type: none"> <li>• A new device has been installed.</li> <li>• A device has been moved to a different location or cable connection.</li> <li>• A device has been removed or disconnected from a cable.</li> <li>• A device is failing and is no longer recognized by the computer as being installed.</li> <li>• An external device is not turned on.</li> <li>• An invalid checksum is detected in the battery-backed memory.</li> </ul> <p><b>Action:</b> Make sure that all external devices are turned on. You must turn on external devices before turning on the computer.</p> <p>If you did not add, remove, or change the location of a device, a device is probably failing. Running the diagnostic program might isolate the failing device. See “Using the IBM Enhanced Diagnostics diskette” on page 97.</p> <p>If the problem remains, call for service.</p>
163	<p>The time of day has not been set.</p> <p><b>Action:</b> Set the date and time. If the date and time are set correctly and saved but the 163 error message reappears, call for service.</p> <p>You can use the computer until the system is serviced, but any application programs that use the date and time will be affected.</p>

Table 5. POST error messages (continued)

POST message	Description
164	<p>A change in the memory configuration occurred. This message might appear after you add or remove memory.</p> <p><b>Note:</b> The computer can be used with decreased memory capacity.</p> <p><b>Action:</b> Complete the following steps to correct the problem:</p> <ol style="list-style-type: none"> <li>1. If POST error message 289 also occurred, follow the instructions for that error message first.</li> <li>2. If you just installed or removed memory, run the Configuration/Setup Utility program; then, exit, saving the new configuration settings.</li> </ol> <p>If the message appears again, shut down the computer, reseat the memory modules, and restart the computer.</p> <p>If the problem remains, call for service.</p>
175	<p>A vital product data (VPD) error occurred.</p> <p><b>Action:</b> Call for service.</p>
184	<p>The power-on password information stored in your computer has been removed.</p> <p><b>Action:</b> From the Configuration/Setup Utility program main menu, select <b>System Security</b>. Then, follow the instructions on the screen.</p> <p>If this information cannot be restored, call for service.</p>
187	<p>The VPD serial number is not set.</p> <p><b>Action:</b> The system serial number is set in the VPD EEPROM at the time of manufacturing. If the system board has been replaced, the system serial number will be invalid and must be reset. From the main menu of the Configuration/Setup Utility program, select <b>System Information</b>, and then select <b>Product Data</b>. If the problem remains, call for service.</p>
188	<p>A vital product data (VPD) error occurred.</p> <p><b>Action:</b> Start the Configuration/Setup Utility program and make sure that all settings are correct. If the problem remains, call for service.</p>
189	<p>An attempt has been made to access the computer with invalid passwords. After three incorrect attempts, the computer locks up; that is, the logon data fields are no longer available to the user.</p>
196	<p>A microprocessor cache mismatch error occurred.</p> <p><b>Action:</b> Make sure that all the microprocessors have the same cache level.</p>
198	<p>A microprocessor speed mismatch error occurred.</p> <p><b>Action:</b> Make sure that all the microprocessors are of the same speed.</p>
199	<p>A microprocessor configuration error occurred.</p> <p><b>Action:</b> Make sure that the microprocessors are of the same type, speed, and technology. If the problem remains, call for service.</p>
201	<p>An error occurred during the memory controller test. This error can be caused by:</p> <ul style="list-style-type: none"> <li>• Incorrectly installed memory</li> <li>• A failing memory module</li> <li>• A system board problem</li> </ul> <p><b>Action:</b> Complete the following steps to correct the problem:</p> <ol style="list-style-type: none"> <li>1. If you just installed memory, make sure that the new memory is correct for your computer. Also make sure that the memory is installed and seated correctly.</li> <li>2. If the problem remains, call for service.</li> </ol>

Table 5. POST error messages (continued)

POST message	Description
289	<p>An error occurred during POST memory tests and a failing DIMM was disabled.</p> <p><b>Action:</b> Take the following steps to correct the problem:</p> <ol style="list-style-type: none"> <li>1. If you just installed memory, make sure that the new memory is correct for your computer. Also make sure that the memory is installed and seated correctly. Start the Configuration/Setup Utility program and select <b>Memory Settings</b> from the <b>Advanced Setup</b> menu to enable the DIMM.</li> <li>2. If the problem remains, replace the failing DIMM.</li> </ol> <p>If the problem remains, call for service.</p>
301 and 303	<p>An error occurred during the keyboard and keyboard controller test. These error messages also might be accompanied by continuous beeping.</p> <p><b>Action:</b> Complete the following steps to correct the problem:</p> <ol style="list-style-type: none"> <li>1. Make sure that: <ul style="list-style-type: none"> <li>• Nothing is resting on the keyboard and pressing a key.</li> <li>• No key is stuck.</li> <li>• The keyboard cable is connected correctly to the keyboard and to the correct connector on the computer.</li> </ul> </li> <li>2. After installing a USB keyboard, if necessary, use the Configuration/Setup Utility program to enable keyboardless operation and prevent the POST error message from being displayed during startup.</li> </ol> <p>Running the diagnostic tests can isolate the computer component that failed, but you must have your computer serviced. If the error message remains, call for service.</p> <p><b>Note:</b> If you just connected a new mouse or other pointing device, turn off the computer and disconnect that device. Wait at least 5 seconds; then, turn on the computer. If the error message goes away, replace the device.</p>
602	<p>Invalid diskette boot record</p> <p><b>Action:</b> Complete the following steps to correct the problem:</p> <ol style="list-style-type: none"> <li>1. Replace the diskette.</li> <li>2. If the problem remains, make sure that the diskette drive cables are correctly and securely connected.</li> <li>3. If the problem remains, replace the diskette drive.</li> </ol> <p>If the problem remains, call for service.</p>
604	<p>An error occurred during a diskette drive test.</p> <p><b>Action:</b> Complete the following steps to correct the problem:</p> <ol style="list-style-type: none"> <li>1. Make sure that the Configuration/Setup Utility program correctly reflects the type of diskette drive that you have installed.</li> <li>2. Run the diagnostic tests. If the computer fails the diagnostic tests, call for service.</li> </ol>
662	<p>A diskette drive configuration error occurred.</p> <p><b>Action:</b> If you removed a diskette drive, make sure that the diskette drive setting is correct in the Configuration/Setup Utility program. If the setting is not correct, change it.</p> <p>If the problem remains, call for service.</p>
962	<p>A parallel port configuration error occurred.</p> <p><b>Action:</b> If you changed a hardware option, make sure that the parallel port setting is correct in the Configuration/Setup Utility program. If the setting is not correct, change it.</p> <p>If the problem remains, call for service.</p>
1162	<p>The serial port configuration conflicts with another device in the computer.</p> <p><b>Action:</b> Complete the following steps to correct the problem:</p> <ol style="list-style-type: none"> <li>1. Make sure that the IRQ and I/O port assignments needed by the serial port are available.</li> <li>2. If all interrupts are being used by adapters, remove an adapter to make an interrupt available to the serial port, or force other adapters to share an interrupt.</li> </ol>

Table 5. POST error messages (continued)

POST message	Description
1602	<p>An error occurred during the system management adapter test.</p> <p><b>Action:</b> Check the signal and power cable connections to the system management adapter. If the problem remains, call for service.</p>
1762	<p>A hard disk configuration error occurred.</p> <p><b>Action:</b> Complete the following steps to correct the problem:</p> <ol style="list-style-type: none"> <li>1. Make sure that the hard disk drive is set correctly in the Configuration/Setup Utility program.</li> <li>2. Make sure that the hard disk drive cables are correctly and securely connected.</li> <li>3. If the problem remains, replace the hard disk drive.</li> </ol> <p>If the problem remains, call for service.</p>
178x	<p>A hard disk failure occurred.</p> <p><b>Action:</b> Make sure that the hard disk drive cables are correctly and securely connected. If the problem remains, call for service.</p>
1801	<p>A PCI adapter has requested memory resources that are not available.</p> <p><b>Action:</b> Take the following steps to correct the problem.</p> <ol style="list-style-type: none"> <li>1. Make sure that the PCI adapter and all other adapters are set correctly in the Configuration/Setup Utility program. If the memory resource settings are not correct, change the settings.</li> <li>2. If all memory resources are being used, you might need to remove an adapter to make memory available to the PCI adapter. Disabling the adapter BIOS on the adapter might correct the error. See the documentation provided with the adapter.</li> </ol>
1802	<p>A PCI adapter has requested an I/O address that is not available, or the PCI adapter might be defective.</p> <p><b>Action:</b> Take the following steps to correct the problem:</p> <ol style="list-style-type: none"> <li>1. Make sure that the I/O address for the PCI adapter and all other adapters are set correctly in the Configuration/Setup Utility program.</li> <li>2. If the I/O port resource settings are correct, the PCI adapter might be defective. Call for service.</li> </ol>
1803	<p>A PCI adapter has requested a memory address that is not available, or the PCI adapter might be defective.</p> <p><b>Action:</b> Take the following steps to correct the problem:</p> <ol style="list-style-type: none"> <li>1. Make sure that the memory address for all the other adapters are set correctly in the Configuration/Setup Utility program. If the memory resource settings are not correct, change the settings.</li> <li>2. If the memory resource settings are correct, the PCI adapter might be defective. Call for service.</li> </ol>
1804	<p>A PCI adapter has requested a memory address that is not available.</p> <p><b>Action:</b> If all memory addresses are being used, you might need to remove an adapter to make memory address space available to the PCI adapter. Disabling the adapter BIOS on the adapter might correct the error. See the documentation provided with the adapter.</p>
1805	<p>A PCI adapter ROM error occurred.</p> <p><b>Action:</b> Remove the PCI adapters. If you can start the computer without the adapters, reinstall each adapter one at a time and retest after each is reinstalled. When an adapter fails, replace it.</p> <p>if you cannot isolate and correct the problem, call for service.</p>

Table 5. POST error messages (continued)

POST message	Description
1806	<p>A PCI-to-PCI bridge error occurred. More than one PCI bus tried to access memory below 1 MB.</p> <p><b>Action:</b> Remove the PCI adapter that has the PCI bridge. If you can start the computer without the adapter, reinstall and retest the adapter. If the adapter fails, replace it.</p> <p>If you cannot isolate and correct the problem, call for service.</p>
1807	<p>xxxxyyyy Planar PCI device does not respond or disabled by user. (Where xxxx is the PCI vendor ID and yyyy is the PCI device ID.)</p> <p><b>Action:</b> Start the Configuration/Setup Utility program, select Devices and I/O Ports, and make sure that the device is enabled. If the problem remains, call for service.</p>
1808	<p>An unsupported PCI device is installed.</p> <p><b>Action:</b> Remove the PCI adapters. If you can start the computer without the adapters, reinstall each adapter one at a time and retest after each is reinstalled. When an adapter fails, replace it.</p> <p>If the problem remains, call for service.</p>
1962	<p>No valid startup devices were found. The computer cannot find the startup drive or operating system.</p> <p><b>Action:</b> Make sure that the drive you want to start from is in the startup sequence.</p> <ol style="list-style-type: none"> <li>1. Select <b>Start Options</b> from the Configuration/Setup Utility program main menu. If you are unable to set the startup sequence, call for service.</li> <li>2. Check the list of startup devices in the <b>Startup device</b> data fields. Is the drive you want to start from in the startup sequence? <ul style="list-style-type: none"> <li><b>Yes</b> Exit from this screen; then, select <b>Exit Setup</b> to exit the Configuration/Setup menu. Go to step 3..</li> <li><b>No</b> Follow the instructions on the screen to add the drive; then, save the changes and exit the Configuration/Setup menu. Restart the computer.</li> </ul> </li> <li>3. Is an operating system installed? <ul style="list-style-type: none"> <li><b>Yes</b> Turn off the computer. Go to step 4.</li> <li><b>No</b> Install the operating system in the computer; then, follow your operating-system instructions to shut down and restart the computer.</li> </ul> </li> <li>4. During computer startup, watch for messages indicating a hardware problem.</li> </ol> <p>If the same error message appears, call for service.</p>
2462	<p>A video memory configuration error occurred.</p> <p><b>Action:</b> Call for service.</p>
5962	<p>An IDE CD-ROM configuration error occurred.</p> <p><b>Action:</b> Check the signal and power cable connections to the CD-ROM drive.</p> <p>If the problem remains, call for service.</p>

Table 5. POST error messages (continued)

POST message	Description
8603	<p>An error occurred during the mouse (pointing device) controller test. The addition or removal of a mouse, or a failing system board can cause this error.</p> <p><b>Note:</b> This error also can occur if electrical power was lost for a very brief period and then restored. In this case, turn off the computer for at least 5 seconds; then, turn it back on.</p> <p><b>Action:</b> Make sure that the keyboard and mouse (pointing device) are attached to the correct connectors. If they are connected correctly, complete the following steps:</p> <ol style="list-style-type: none"> <li>1. Turn off the computer.</li> <li>2. Disconnect the mouse from the computer.</li> <li>3. Turn on the computer.</li> </ol> <p>If the POST error message does not reappear, the mouse is probably failing. See the documentation that comes with the mouse for additional testing information. If the problem remains, replace the mouse or pointing device.</p> <p>If the POST error message reappears, run the diagnostic tests to isolate the problem. If the diagnostic tests do not find a problem and the POST error message remains, call for service.</p>
00012000	<p>A processor machine check occurred.</p> <p><b>Action:</b> Complete the following steps to correct the problem:</p> <ol style="list-style-type: none"> <li>1. Update the system BIOS code.</li> <li>2. If the problem remains, replace the microprocessor.</li> </ol>
00180300	<p>A PCI adapter has requested memory above 1 MB.</p> <p><b>Action:</b> Replace the PCI adapter. If the problem remains, call for service.</p>
00180700	<p>xxxxyyyy planar PCI device does not respond or is disabled by user (where xxxx is the PCI vendor ID and yyyy is the PCI device ID).</p> <p><b>Action:</b> Start the Configuration/Setup Utility program, select <b>Devices and I/O Ports</b>, and make sure that the device is enabled. If the problem remains, call for service.</p>
01298001	<p>No update data is available for the microprocessor.</p> <p><b>Action:</b> Update the system BIOS code to a level that supports the microprocessors that are installed in the computer.</p>
01298200	<p>A microprocessor speed mismatch occurred.</p> <p><b>Action:</b> Replace one or both microprocessors so that both microprocessors have the same speed.</p>
19990301	<p>An invalid boot record error occurred.</p> <p><b>Action:</b> Make sure that the operating system is installed on the media that the computer is attempting to boot from. If the problem remains, call for service.</p>
19990650	<p>AC power has been restored.</p> <p><b>Action:</b> No action is required. This message appears each time ac power is restored to the computer after an ac power loss.</p>
Other Numbers	<p>POST found an error.</p> <p><b>Action:</b> Follow the instructions on the screen.</p>

## Diagnostic programs and error messages

The system diagnostic programs are stored on a hidden partition on the computer hard disk. These programs are the primary method of testing the major components of your computer.

You can also download the latest version of the diagnostics programs from <http://www.ibm.com/pc/support/> and use the downloaded file to create an IBM Enhanced Diagnostics diskette. See "Creating an IBM Enhanced Diagnostics diskette in Windows" on page 14 for instructions.

**Note:** When using diagnostics with a USB keyboard and mouse attached, you must first enable USB emulation. Complete the following steps to enable USB emulation:

1. Restart the computer and press F1 to start the Configuration/Setup Utility.
2. Select **Devices and I/O Ports**.
3. Select **USB Setup**.
4. Make sure that the USB keyboard and mouse are enabled.

Diagnostic error messages indicate that there is a problem; they are not intended to be used to identify a failing part. Troubleshooting and servicing complex problems that are indicated by error messages must be performed by trained service personnel.

Sometimes the first error to occur causes additional errors. In this case, the computer displays more than one error message. Always follow the suggested action instructions for the *first* error message that appears.

## Text messages

The diagnostic text message format is as follows:

*result test\_specific\_string*

where:

**result** is one of the following results:

**Passed**

This test was completed without any errors.

**Failed** This test discovered an error.

**User Aborted**

You stopped the test before it was completed.

**Not Applicable**

You attempted to test a device that is not present in the computer.

**Aborted**

The test could not proceed because of the computer configuration.

**Warning**

A possible problem was reported during the test (for example, a device that was to be tested is not installed).

**test\_specific\_string**

is an error code or other information about the error.

## Starting the diagnostic programs and viewing the test log

The IBM Enhanced Diagnostics programs isolate problems from the computer hardware and software. The programs run independently of the operating system. This method of testing is generally used when other methods are not accessible or have not been successful in isolating a problem suspected to be hardware related.

Complete the following steps to view the test log.

**Note:** If you are already running the Enhanced Diagnostics program, begin with step 4.

1. Start the Enhanced Diagnostics programs.

- To start the Enhanced Diagnostics programs in a Windows operating system, complete the following steps:
  - a. Restart the computer and when the message To start the Product Recovery program is displayed, quickly press F11.
  - b. Select **System utilities**.
  - c. Select **Run diagnostics** to start the diagnostics programs.
- To start the Enhanced Diagnostics programs in Red Hat Linux operating system, complete the following steps:
  - a. Restart the computer.
  - b. When the operating system selection menu is displayed, select **IBM Preload Recovery & Diagnostics**.
  - c. Select **Run diagnostics** to start the diagnostics programs.

(Optionally, insert the IBM Enhanced Diagnostics diskette and restart the computer.)

2. Run the applicable diagnostics program and when the Diagnostic Programs screen appears, select **Utility**.
3. Select **View Test Log** from the list; then, follow the instructions on the screen. The test log records data about system failures and other pertinent information. The test log will not contain any information until after the diagnostic program has run.
4. Save the test log to a file on a diskette or to your hard disk.

**Notes:**

- a. To save the test log to a diskette, you must use a diskette that you have formatted yourself; this function does not work with preformatted diskettes. If the diskette has sufficient space for the test log, the diskette can contain other data.
- b. The system maintains the test-log data only while the Enhanced Diagnostics program is running. When you end the Enhanced Diagnostics program, the test log is cleared.

## Diagnostic error message tables

The following tables provide descriptions of the error messages that might be listed in the test log after you run the diagnostic programs.

**Important:** If error messages are displayed that are not listed in the following table, make sure that the computer has the latest level of BIOS code installed.

Code	Function	Result	Text message	Action
001	Core system	Failed	Core tests	Call for service.
			System board ECC	
005	Video port	Failed	Any failure message	<ol style="list-style-type: none"> <li>1. Replace the video adapter.</li> <li>2. Call for service.</li> </ol>



Code	Function	Result	Text message	Action
011	Serial port		Integrated serial port	<ol style="list-style-type: none"> <li>1. Make sure that the loopback plug is correctly connected to the external serial port.</li> <li>2. Make sure that the cable from the external serial port is correctly connected to the system board.</li> <li>3. Call for service.</li> </ol>
014	Parallel port		Integrated parallel port	<ol style="list-style-type: none"> <li>1. Make sure that the loopback plug is connected correctly to the external parallel port.</li> <li>2. Call for service.</li> </ol>
015	USB interface	Aborted	Can NOT test USB interface while it is in use. <b>Note:</b> If you have USB devices attached, you cannot run the diagnostic program for the USB interface.	<ol style="list-style-type: none"> <li>1. Turn off the computer.</li> <li>2. Replace the all USB devices with standard devices.</li> <li>3. Turn on the computer.</li> <li>4. Run the diagnostic test again.</li> </ol>
		Failed	Any failure message	Call for service.
020	PCI interface	Failed	System board	Call for service.
030	SCSI interface	Failed	SCSI adapter in slot <i>n</i> failed register/counter/ power test  (where <i>n</i> is the slot number of the failing adapter)	<p>See the information that comes with the adapter for instructions.</p> <p>If the problem remains, call for service.</p>
089	Microprocessor test	Failed	Any failure message	<ol style="list-style-type: none"> <li>1. Make sure that the microprocessor is installed and seated correctly.</li> <li>2. If the computer does not have the latest level of BIOS code installed, update the BIOS code to the latest level.</li> <li>3. If the problem remains, call for service.</li> </ol>
175	System thermal	Failed	Fan # <i>n</i>  (where <i>n</i> is the number of the failing fan)	Replace the indicated fan.
			Temperature sensed on system board is out of range	Call for service.

Code	Function	Result	Text message	Action
180	Status display	Failed	Any failure message	Call for service.
201	System memory	Failed	DIMM is in location DIMM <i>n</i>  (where <i>n</i> is the number of the socket that contains the failing DIMM)	<ol style="list-style-type: none"> <li>1. Reseat the failing DIMM.</li> <li>2. If the problem remains, replace the DIMM.  If the problem remains, call for service.</li> </ol>
			Test setup error: Corrupt BIOS in ROM	If the computer does not have the latest level of BIOS code installed, update the BIOS code to the latest level.
			Test setup error: Corrupt DMI BIOS, information in BIOS is not as expected	If the problem remains, call for service.
202	Microprocessor cache	Failed	Any failure message	<ol style="list-style-type: none"> <li>1. Make sure that the microprocessor is installed and seated correctly.</li> <li>2. If the computer does not have the latest level of BIOS code installed, update the BIOS code to the latest level.</li> <li>3. If the problem remains, call for service.</li> </ol>
206	Diskette drive	Failed	Internal diskette drive	<ol style="list-style-type: none"> <li>1. Run the test with another diskette drive.</li> <li>2. Make sure that the cables are correctly connected to the diskette drive.</li> <li>3. Run the test again.</li> <li>4. Call for service.</li> </ol>

Code	Function	Result	Text message	Action
215	CD-ROM	Failed	On system board.	<ol style="list-style-type: none"> <li>1. Run the test with another CD-ROM drive.</li> <li>2. Make sure that the cables are correctly connected to the CD-ROM drive.</li> <li>3. Run the test again.</li> <li>4. Call for service</li> </ol>
		Aborted	The CD-ROM drive is not present.	Make sure that the cables are correctly connected to the CD-ROM drive. If the problem remains, call for service.
217	Hard disk drive	Failed	drive # <i>n</i> (where <i>n</i> is the drive bay number)	<ol style="list-style-type: none"> <li>1. Check the cables and power connections to the drive.</li> <li>2. Replace the hard disk drive.</li> <li>3. Call for service.</li> </ol>
		Aborted	Could not establish drive parameters	<ol style="list-style-type: none"> <li>1. Check the cables and power connections to the drive.</li> <li>2. Replace the hard disk drive.</li> <li>3. Call for service.</li> </ol>

Code	Function	Result	Text message	Action
264	Magnetic tape drive	Aborted	Test setup error: No tape drive found	<ol style="list-style-type: none"> <li>1. Check the cables and power connections to the drive.</li> <li>2. See the information that comes with the tape drive.</li> <li>3. See the error messages and text in the PC-Doctor error log for detailed information about each tape drive error.</li> <li>4. If the problem remains, call for service.</li> </ol>
		Failed	The load/mount test failed for device <i>n</i> on adapter <i>m</i>  (where <i>n</i> is the number of the device and <i>m</i> is the adapter number)	<p>See the information that comes with the tape drive.</p> <p>If the problem remains, call for service.</p> <p><b>Note:</b> The push button test is applicable only to SCSI tape drives that have a push button.</p>
			The self-diagnostic failed for device <i>n</i> on adapter <i>m</i> .  (where <i>n</i> is the number of the device and <i>m</i> is the adapter number)	
			The unload/eject test failed for device <i>n</i> on adapter <i>m</i>  (where <i>n</i> is the number of the device and <i>m</i> is the adapter number)	
			The unload/eject push button test failed for device <i>n</i> on adapter <i>m</i>  (where <i>n</i> is the number of the device and <i>m</i> is the adapter number)	
			The Read/Write Self-diagnostic failed for device <i>n</i> on adapter <i>m</i>  (where <i>n</i> is the number of the device and <i>m</i> is the adapter number)	
	Insert a new tape cartridge; then, run the diagnostic test again.			
	See the information that comes with the tape drive.			
	If the problem remains, call for service.			

Code	Function	Result	Text message	Action
301	Keyboard	Failed	On system-board keyboard test failed	<ol style="list-style-type: none"> <li>1. Make sure that the keyboard cable is connected to the correct connector (for example, make sure that it is not connected to the mouse connector).</li> <li>2. If the problem remains, replace the keyboard cable.</li> <li>3. Replace the keyboard.</li> <li>4. Call for service.</li> </ol>
302	Mouse	Failed	On system-board pointing device test failed.	<ol style="list-style-type: none"> <li>1. Make sure that the pointing device (mouse) cable is correctly connected to the correct connector.</li> <li>2. Replace the pointing device.</li> <li>3. Call for service.</li> </ol>
305	Video monitor		Any message	See the information that came with the monitor.
405	Ethernet	Failed	In PCI-X slot <i>n</i>  (where <i>n</i> is the PCI-X slot number in which the failing Ethernet adapter is installed)	<ol style="list-style-type: none"> <li>1. Replace the Ethernet adapter in slot <i>n</i>.</li> <li>2. If the problem remains, call for service.</li> </ol>
			On system board	<ol style="list-style-type: none"> <li>1. Use the Configuration/Setup Utility program to make sure that the Ethernet adapter is not disabled.</li> <li>2. Call for service.</li> </ol>
415	Modem	Failed	Any failure message	<ol style="list-style-type: none"> <li>1. Make sure that the modem is present and correctly connected to the computer.</li> <li>2. Replace the modem cable.</li> <li>3. Replace the modem.</li> <li>4. Call for service.</li> </ol>

---

## Small computer system interface (SCSI) messages

If you receive a SCSI error message when running the SCSISelect Utility program, it might be the result of any of the following problems:

- A failing SCSI device (adapter or drive)
- An incorrect SCSI configuration
- Duplicate SCSI IDs in the same SCSI chain
- An incorrectly installed SCSI terminator
- A defective SCSI terminator
- An incorrectly installed cable
- A defective cable

To solve the problem, make sure that:

- The external SCSI devices are turned on. External SCSI devices must be turned on *before* the computer.
- The cables for all external SCSI devices are connected correctly.
- The last device in each SCSI chain is terminated correctly.
- The SCSI devices are configured correctly.

If the problem remains, run the diagnostic programs to obtain additional information about the failing device. If the error remains or recurs, call for service.

**Note:** If the computer does not have a SCSI hard disk drive, ignore any message that indicates that the BIOS code is not installed.

---

## PC-Doctor for Windows

Your computer contains PC-Doctor for Windows, which is designed specifically for the Windows operating environment. Because these diagnostics work with the operating system, they test hardware and analyze certain software components. These diagnostic programs are especially useful for isolating operating-system and device-driver problems.

Complete the following steps to use PC-Doctor for Windows:

1. On the Windows desktop, click **Start** → **All Programs** → **PC-Doctor**.
2. Follow the instructions on the screen. Help is available online.

---

## Troubleshooting charts

Use the troubleshooting charts in this section to find solutions to problems that have definite symptoms.

**Important:** If diagnostic error messages are displayed that are not listed in the following table, make sure that the latest level of BIOS code is installed.

See “Starting the diagnostic programs and viewing the test log” on page 81 to test the computer. If you have run the diagnostic test programs or if running the tests does not detect the problem, call for service.

If you have just added new software or a new option and the computer is not working, complete the following steps before using the troubleshooting chart:

1. Remove the software or device that you just added.

2. Run the diagnostic tests to determine whether the computer is running correctly.
3. Reinstall the new software or new device.

## CD-ROM drive problems

Symptom	Suggested action
CD-ROM drive is not recognized.	<p>Make sure that:</p> <ul style="list-style-type: none"> <li>• The IDE channel to which the CD-ROM drive is attached (primary or secondary) is enabled in the Configuration/Setup Utility program.</li> <li>• All cables and jumpers are installed correctly.</li> <li>• The correct device driver is installed for the CD-ROM drive.</li> </ul> <p>If the problem remains, call for service.</p>
A CD is not working correctly.	<p>Clean the CD.</p> <p>If the problem remains, call for service.</p>
The CD-ROM drive tray is not working.	<ol style="list-style-type: none"> <li>1. Make sure that the computer is turned on.</li> <li>2. If the CD-ROM tray still does not work, insert the end of a straightened paper clip into the manual tray-release opening.</li> </ol> <p>If the problem remains, call for service.</p>

## Diskette drive problems

Symptom	Suggested action
The diskette drive activity LED stays lit, or the computer bypasses the diskette drive.	<ul style="list-style-type: none"> <li>• If there is a diskette in the drive, make sure that: <ul style="list-style-type: none"> <li>– The diskette drive is enabled in the Configuration/Setup Utility program.</li> <li>– The diskette is good and not damaged. (Try another diskette if you have one.)</li> <li>– The diskette is inserted correctly in the drive.</li> <li>– The diskette contains the necessary files to start the computer.</li> <li>– The software program is working correctly.</li> <li>– The cable is installed correctly (in the correct orientation).</li> </ul> </li> <li>• To prevent diskette drive read/write errors, make sure that the distance between the monitor and the diskette drive is at least 76 mm (3 in.).</li> </ul> <p>If the problem remains, call for service.</p>

## General problems

Symptom	Suggested action
A cover lock is broken, an LED is not working, or a similar problem has occurred.	Call for service.

## Hard disk drive problems

Symptom	Suggested action
Not all drives are recognized by the hard disk drive diagnostic test (the Fixed Disk test).	<ol style="list-style-type: none"> <li>1. Remove the first drive that is not recognized and try the hard disk drive diagnostic test again.</li> <li>2. If the remaining drives are recognized, replace the drive that you removed with a new one.</li> </ol> <p>If the problem remains, call for service.</p>
The computer stops responding during the hard disk drive diagnostic test.	<ol style="list-style-type: none"> <li>1. Remove the hard disk drive that was being tested when the computer stopped responding and try the diagnostic test again.</li> <li>2. If the hard disk drive diagnostic test runs successfully, replace the drive that you removed with a new one.</li> </ol> <p>If the problem remains, call for service.</p>

## Intermittent problems

Symptom	Suggested action
A problem occurs only occasionally and is difficult to diagnose.	<p>Make sure that:</p> <ul style="list-style-type: none"> <li>• All cables and cords are connected securely to the rear of the computer and attached devices.</li> <li>• When the computer is turned on, air is flowing from the rear of the computer at the fan grille. If there is no airflow, the fans are not working. This can cause the computer to overheat and shut down.</li> <li>• The SCSI bus and devices are configured correctly and the last external device in each SCSI chain is terminated correctly.</li> </ul> <p>If the problem remains, call for service.</p>

## Keyboard, mouse, or pointing-device problems

Symptom	Suggested action
All or some keys on the keyboard do not work.	<ul style="list-style-type: none"> <li>• Make sure that the keyboard cable is securely connected to the system and that the keyboard and mouse cables are not reversed.</li> <li>• Make sure that the computer and the monitor are turned on.</li> <li>• Try using another keyboard.</li> </ul> <p>If the problem remains, call for service.</p>
The mouse or pointing device does not work.	<ul style="list-style-type: none"> <li>• Make sure that the mouse or pointing-device cable is securely connected and that the keyboard and mouse cables are not reversed.</li> <li>• Make sure that the mouse device drivers are installed correctly.</li> <li>• Make sure that the computer and the monitor are turned on.</li> <li>• Try using another mouse or pointing device.</li> </ul> <p>If the problem remains, call for service.</p>



## Memory problems

Symptom	Suggested action
The amount of system memory displayed is less than the amount of physical memory installed.	<ul style="list-style-type: none"> <li>• Make sure that:               <ul style="list-style-type: none"> <li>– The DIMMs are seated correctly.</li> <li>– You have installed the correct type of memory.</li> <li>– If you changed the memory, you updated the memory configuration with the Configuration/Setup Utility program.</li> <li>– All banks of memory are enabled. The computer might have automatically disabled a memory bank when it detected a problem, or a memory bank could have been manually disabled.</li> </ul> </li> <li>• Check POST error log for error message 289:               <ul style="list-style-type: none"> <li>– If the DIMM was disabled by a system-management interrupt (SMI), replace the DIMM.</li> <li>– If the DIMM was disabled by the user or by POST, run the Configuration/Setup Utility program and enable the DIMM.</li> </ul> </li> </ul> <p>If the problem remains, call for service.</p>

## Microprocessor problems

Symptom	Suggested action
The computer emits a continuous tone during POST.	The startup (boot) microprocessor is not working correctly. Call for service.

## Monitor problems

Some IBM monitors have their own self-tests. If you suspect a problem with your monitor, see the information that comes with the monitor for instructions for testing and adjusting the monitor. If you cannot diagnose the problem, call for service.

Symptom	Suggested action
The screen is blank.	<p>Make sure that:</p> <ul style="list-style-type: none"> <li>• The computer power cord is connected to the computer and a working electrical outlet.</li> <li>• The monitor cables are connected correctly.</li> <li>• The monitor is turned on and the brightness and contrast controls are adjusted correctly.</li> </ul> <p>If the problem remains, call for service.</p>
Only the cursor appears.	Call for service.
The monitor works when you turn on the computer, but the screen goes blank when you start some application programs.	<p>Make sure that:</p> <ul style="list-style-type: none"> <li>• The application program is not setting a display mode higher than the capability of the monitor.</li> <li>• The primary monitor cable is connected to the video connector.</li> <li>• You have installed the necessary device drivers for the application programs.</li> </ul> <p>If the problem remains, call for service.</p>

Symptom	Suggested action
The monitor has screen jitter, or the screen image is wavy, unreadable, rolling, or distorted.	<p>If the monitor self-tests show that the monitor is working correctly, consider the location of the monitor. Magnetic fields around other devices (such as transformers, appliances, fluorescent lights, and other monitors) can cause screen jitter or wavy, unreadable, rolling, or distorted screen images. If this happens, complete the following steps:</p> <ol style="list-style-type: none"> <li>1. Turn off the monitor.</li> </ol> <p><b>Attention:</b> Moving a color monitor while it is turned on might cause screen discoloration.</p> <ol style="list-style-type: none"> <li>2. Move the device and the monitor at least 300 mm (12 in.) apart, and turn on the monitor.</li> </ol> <p><b>Notes:</b></p> <ol style="list-style-type: none"> <li>1. If you have attached a diskette drive to the computer, make sure that the distance between the monitor and diskette drive is at least 75 mm (3 in.) to prevent diskette drive read/write errors.</li> <li>2. Non-IBM monitor cables might cause unpredictable problems.</li> <li>3. An enhanced monitor cable with additional shielding is available for the 9521 and 9527 monitors. For information about the enhanced monitor cable, contact your IBM marketing representative or authorized reseller.</li> </ol> <p>If the problem remains, call for service.</p>
Wrong characters appear on the screen.	<p>If the wrong language is displayed, update the BIOS code with the correct language.</p> <p>If the problem remains, call for service.</p>

## Option problems

Symptom	Suggested action
An IBM option that was just installed does not work.	<ol style="list-style-type: none"> <li>1. Make sure that: <ul style="list-style-type: none"> <li>• The option is designed for the computer (see the ServerProven<sup>®</sup> list at <a href="http://www.ibm.com/pc/compat/">http://www.ibm.com/pc/compat/</a>).</li> <li>• You followed the installation instructions that come with the option.</li> <li>• The option is installed correctly.</li> <li>• You have not loosened any other installed options or cables.</li> <li>• You updated the configuration information in the Configuration/Setup Utility program. Whenever memory or an option is changed, you must update the configuration.</li> </ul> </li> <li>2. Replace the option that you just installed.</li> </ol> <p>If the problem remains, call for service.</p>
An IBM option that used to work does not work now.	<ul style="list-style-type: none"> <li>• Make sure that all of the option hardware and cable connections are secure.</li> <li>• If the option comes with test instructions, use those instructions to test the option.</li> <li>• If the failing option is a SCSI device, make sure that: <ul style="list-style-type: none"> <li>– The cables for all external SCSI devices are connected correctly.</li> <li>– The last device in each SCSI chain, or the end of the SCSI cable, is terminated correctly.</li> <li>– Any external SCSI devices are turned on. You must turn on external SCSI devices before turning on the computer.</li> </ul> </li> <li>• Replace the failing option.</li> </ul> <p>If the problem remains, call for service.</p>

## Parallel port problems

Symptom	Suggested action
A parallel device does not work.	Make sure that: <ul style="list-style-type: none"><li>• The device is compatible with the computer.</li><li>• The parallel port is enabled.</li></ul> If the problem remains, call for service.

## Power problems

Symptom	Suggested action
The power-control button does not work, and the reset button, if supported, does work.	Call for service.
The computer does not turn on.	<ul style="list-style-type: none"><li>• Make sure that the power cords are correctly connected to the computer.</li><li>• Make sure that the electrical outlet functions correctly.</li><li>• Make sure that the type of memory installed is correct.</li><li>• If you just installed an option, remove it, and restart the computer. If the computer now turns on, you might have installed more options than the power supply supports.</li></ul> If the problem remains, call for service.
The computer does not turn off.	Determine whether you are using an ACPI or non-ACPI operating system. If you are using a non-ACPI operating system, complete the following steps: <ol style="list-style-type: none"><li>1. Press Ctrl+Alt+Delete.</li><li>2. Turn off the computer by holding the power-control button for 4 seconds.</li><li>3. If the computer fails during POST and the power-control button does not work, remove the ac power cord.</li></ol> If the problem remains or if you are using an ACPI operating system, call for service.

## Printer problems

Symptom	Suggested action
The printer does not work.	Make sure that: <ul style="list-style-type: none"><li>• The printer is turned on and is online.</li><li>• The printer signal cable is connected to the correct serial or parallel port on the computer. <b>Note:</b> Non-IBM printer cables might cause unpredictable results.</li><li>• You have assigned the printer port correctly in your operating system or application program.</li><li>• You have assigned the printer port correctly using the Configuration/Setup Utility program.</li><li>• You have run the tests that are described in the documentation that comes with your printer.</li></ul> If the problem remains, call for service.

## Serial port problems

Symptom	Suggested action
The number of serial ports identified by the operating system is less than the number of serial ports that are installed.	<p>Make sure that:</p> <ul style="list-style-type: none"> <li>• Each port is assigned a unique address in the Configuration/Setup Utility program and none of the serial ports is disabled.</li> <li>• The serial-port adapter, if you installed one, is seated correctly.</li> </ul> <p>If the problem remains, call for service.</p>
A serial device does not work.	<ol style="list-style-type: none"> <li>1. Make sure that: <ul style="list-style-type: none"> <li>• The device is compatible with the computer.</li> <li>• The serial port is enabled and is assigned a unique address.</li> <li>• The device is connected to the correct connector.</li> </ul> </li> <li>2. Run serial port diagnostics.</li> <li>3. Replace the failing serial device.</li> </ol> <p>If the problem remains, call for service.</p>

## Software problems

Symptom	Suggested action
You suspect a software problem.	<ul style="list-style-type: none"> <li>• To determine whether the problem is caused by the software, make sure that: <ul style="list-style-type: none"> <li>– The computer has the minimum memory needed to use the software. For memory requirements, see the information that comes with the software.</li> <li>– If you have just installed an adapter or memory, the computer does not have a memory-address conflict.</li> <li>– The software is designed to operate on the computer.</li> <li>– Other software works on the computer.</li> <li>– The software that you are using works on another computer.</li> </ul> </li> <li>• If you received any error messages when using the software program, see the information that comes with the software for a description of the messages and suggested solutions to the problem.</li> </ul> <p>If the problem remains, contact your place of purchase of the software.</p>

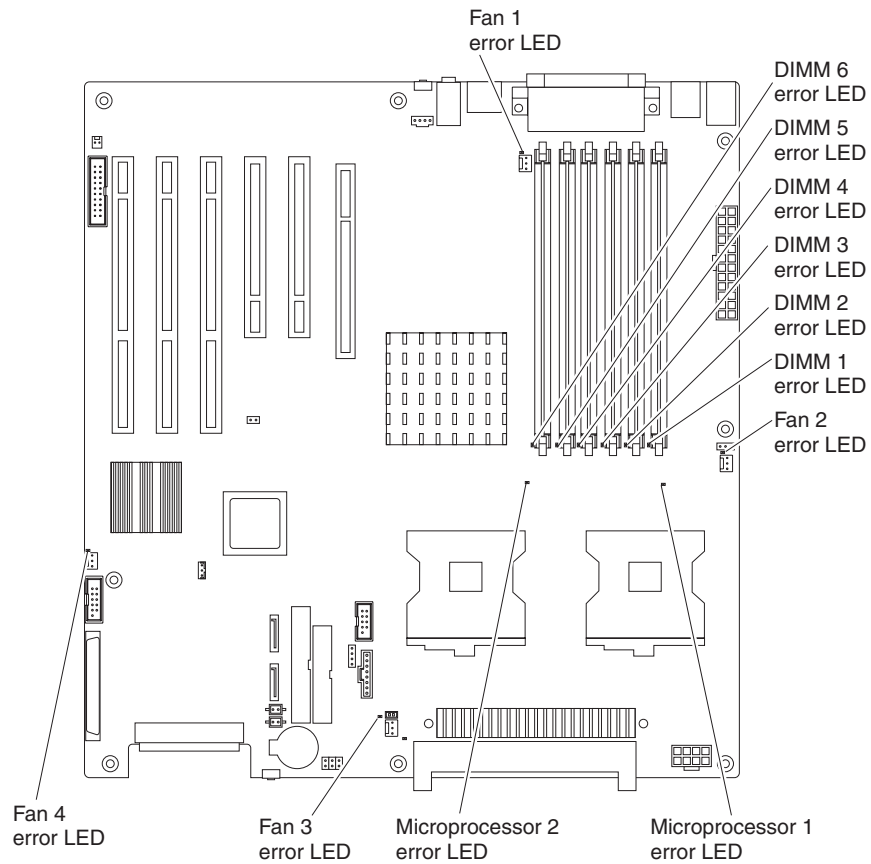
## Universal Serial Bus (USB) port problems

Symptom	Suggested action
A USB device does not work.	<p>Make sure that:</p> <ul style="list-style-type: none"> <li>• You are not trying to use a USB device during POST if a standard (non-USB) keyboard is connected to the keyboard connector. If a standard (non-USB) keyboard is attached to the keyboard connector, the USB is disabled, and no USB device will work during POST.</li> <li>• The correct USB device driver is installed.</li> <li>• The operating system supports USB devices.</li> </ul> <p>If the problem remains, call for service.</p>

## System-board error LEDs

The following illustration shows the error LEDs on the system board.

Each error LED is lit to indicate a problem with a specific component. After a problem is corrected, the LED will not be lit the next time the computer is restarted. If the problem remains, the LED will continue to be lit. For information about how to correct the problems indicated by the error LEDs, see the “Diagnostic error message tables” on page 82.



## Troubleshooting the Ethernet controller

See the Ethernet controller documentation on the *Device Drivers* CD for information about problems that might occur with the 1 Gbps Ethernet controller.

---

## Recovering your operating system and preinstalled software

This section contains instructions for recovering BIOS code, device drivers, the operating system, and other support software.

### Recovering the operating system

The Product Recovery program is on a hidden partition of the hard disk. The Product Recovery program runs independently of the operating system and reinstalls your operating system and preinstalled software.

**Attention:** If you are using FDISK, Disk Management, or another utility to reformat the hard disk, you might see the partition where the Product Recovery program is stored. Do not delete this partition; otherwise, the Product Recovery program will be lost.

If your hard disk drive, including the partition that contains the Product Recovery program, becomes damaged or if you replace the hard disk drive, contact IBM to order the *IBM Product Recovery* CD to recover your preinstalled operating system, application programs, and device drivers. See Appendix A, “Getting help and technical assistance,” on page 103 for details.

Complete the following steps to recover the Windows operating system.

**Note:** The recovery process replaces all information stored on drive C. If possible, back up your data files before starting this process. The recovery process does not affect any other drives.

1. If possible, shut down the operating system.
2. If the computer is still on, turn it off.

**Note:** If the computer will not turn off after you hold down the power-control button for at least 4 seconds, disconnect the power cord and wait a few seconds before reconnecting it.

3. Turn on the computer, and wait for the prompt

To start the Product Recovery program, press F11.

If the DOS command prompt or the F11 prompt is not displayed, see “Using the recovery-repair diskette in Windows” on page 97.

4. Quickly press F11, and wait for the program menu.
5. Select **Full recovery** and follow the instructions on the screen.
6. When recovery is complete, exit from the program.
7. Restart the computer.

Complete the following steps to recover the Red Hat Linux operating system.

**Note:** The recovery process replaces all information stored on drive C. If possible, back up your data files before starting this process.

1. If possible, shut down the operating system.
2. If your computer is still on, turn it off.

**Note:** If the computer will not turn off after you hold down the power-control button for at least 4 seconds, disconnect the power cord and wait a few seconds before reconnecting it.

3. Turn on the computer and wait for the operating system menu to be displayed; then, quickly select **IBM Preload Recovery & Diagnostics**.
4. Select the recovery options that you want and follow the instructions on the screen.

**Note:** To restore the operating system, device drivers, and application programs, choose a *full recovery*.

5. When recovery is complete, exit from the program. The computer will restart automatically.

## Recovering or installing device drivers

Restoring the factory-preinstalled device drivers is part of the Product Recovery program and the *Device Drivers* CD.

Before you can recover or install device drivers, your operating system must be installed on the computer. Make sure that you have the documentation and software media for the device before you start recovering or installing device drivers.

Device drivers for IBM devices and the instructions to install them (readme.txt) are on the *Device Drivers* CD and in the c:\ibmtools\drivers\ directory.

The latest device drivers are also available at <http://www.ibm.com/pc/support/>.

---

## Using the IBM Enhanced Diagnostics diskette

If you have attached a diskette drive to the computer and created an IBM Enhanced Diagnostics diskette, complete the following steps to start the diskette. For instructions to create an IBM Enhanced Diagnostics diskette, see “Creating an IBM Enhanced Diagnostics diskette in Windows” on page 14.

1. Turn off any attached devices and the computer.
2. Insert the IBM Enhanced Diagnostics diskette into the diskette drive.
3. Turn on all attached devices; then, turn on the computer.
4. Follow the instructions on the screen.

When the tests have been completed, you can view the test log by selecting **Utility** from the top of the screen.

---

## Using the recovery-repair diskette in Windows

In some circumstances, files on your hard disk might become damaged so that the F11 prompt is not displayed when you start the computer. If you have attached a diskette drive to the computer and created a recovery-repair diskette, use the following procedure to access the Product Recovery program on the hard disk. For

instructions to create a recovery-repair diskette, see “Creating an emergency recovery-repair diskette in Windows” on page 13. Complete the following steps to run the recovery-repair diskette:

1. Insert the recovery-repair diskette into the diskette drive.
2. Turn off the computer.
3. Turn on the computer, and follow the instructions on the screen.

If the repair operation is completed without error, the F11 prompt will be displayed the next time you restart the computer.

If an error message is displayed during the repair operation and the repair operation cannot be completed, you might have a problem with the Product Recovery program or the partition that contains the Product Recovery program. Use a *Product Recovery* CD to access the Product Recovery program. To obtain a *Product Recovery* CD, contact IBM. See Appendix A, “Getting help and technical assistance,” on page 103 for details.

---

## Updating (flash-updating) the BIOS code on the computer

Periodically, IBM might post new levels of BIOS code on the Web. Always check the IBM Support Web site at <http://www.ibm.com/pc/support/> for the latest level of BIOS code, device drivers, documentation, and hints and tips. You can use one of the following methods to update (flash) the BIOS code on the computer:

- Download the BIOS code update file directly to the hard disk.
- Download the BIOS code update file to a diskette (attach an external Universal Serial Bus [USB] portable diskette drive if you have not installed an integrated diskette drive); then, update the BIOS code on the computer.

You can order an optional IBM USB Portable Diskette Drive such as part number 05K9276. For a list of supported options for your computer, go to <http://www.ibm.com/pc/compat/>.

- Download the BIOS code update file to a CD using a writable optional device (CD-RW drive); then, start the computer with the CD in the CD-ROM drive to update the BIOS code on the computer.

One file is available for each method. The description next to each file indicates the type of medium to which you can download the file. A readme file is available with instructions for installing the BIOS code update.

Complete the following steps to download the BIOS (flash) update files:

1. Go to <http://www.ibm.com/pc/support/>.
2. In the **Downloads** category, click **Downloads & drivers**.
3. In the **Brand** field, select **IntelliStation**.
4. In the **Family** field, select **IntelliStation Z Pro**.
5. In the **Type** field, select **6223** and click **Continue**.
6. In the **Filter by category** field, select **BIOS (system)**.
7. Scroll down and select the applicable file for your operating system.
8. Select the file for the type of medium you want to use; then, download the file and install it.
9. Restart the computer.

See the readme file for additional information about how to install the image files.



**Note:** Always reset the Configuration/Setup Utility program to the default values after updating the BIOS code.

---

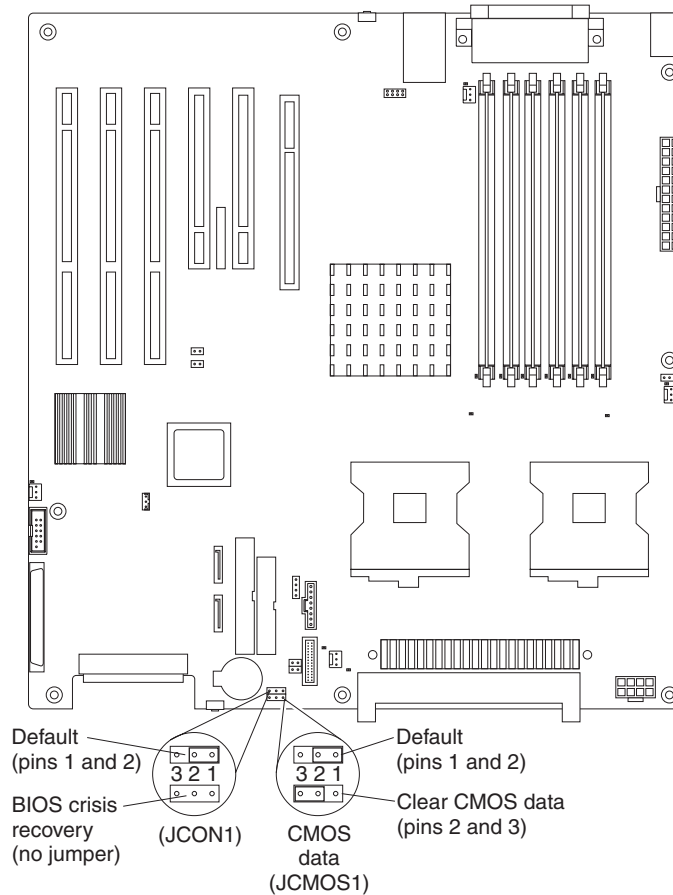
## Recovering from a POST/BIOS update failure

### Notes:

1. You can download a file to create the POST/BIOS recovery diskette or CD from <http://www.ibm.com/pc/support/> on the World Wide Web. For more information, see Appendix A, “Getting help and technical assistance,” on page 103.
2. To create and use a diskette, you must add a diskette drive to your computer. To enable a USB diskette drive, follow these steps:
  - a. Enable the **Legacy USB Support** option under the **Startup Option** menu choice in the Configuration/Setup Utility program.
  - b. Set your removable media device as the first startup device.
  - c. Select the removable media device you want to boot from and move it to the top of the Removable Devices list.

If power to your computer is interrupted while POST/BIOS code is being updated (flash update), the computer might not restart (reboot) correctly. If this happens, complete the following steps:

1. Review the safety information beginning on page vii and “Handling static-sensitive devices” on page 33.
2. Turn off the computer and all attached devices.
3. Disconnect the power cord.
4. Remove the cover and support bracket.
5. Locate the boot block recovery jumper (JCON1) on the system board. The following illustration shows the location of the boot block jumper on the system board.



6. Remove the boot block recovery jumper from pins 1 and 2.
7. Replace any adapters that were removed; then, replace the support bracket and replace the cover.
8. Connect the computer to a power source, keyboard, monitor, and mouse.
9. Insert the POST/BIOS update (flash) recovery diskette or CD into the diskette drive or CD-ROM drive.
10. Turn on the computer and the monitor.
11. After the update session is completed, turn off the computer and monitor.
12. Remove the diskette or CD from the diskette drive or CD-ROM drive.
13. Disconnect all power cords; then, remove the computer cover.
14. Return the boot block recovery jumper to pins 1 and 2.
15. Replace the computer cover; then, reconnect all external cables and power cords and turn on the peripheral devices.
16. Turn on the computer to restart the operating system.

---

## Erasing a lost or forgotten password (clearing CMOS)

This section applies to lost or forgotten passwords. More information about lost or forgotten passwords is available in Access IBM.

Complete the following steps to set the CMOS recovery jumper and erase a forgotten password:

1. Review the safety information beginning on page vii and "Handling static-sensitive devices" on page 33.

2. Turn off the computer and all attached devices.
3. Disconnect the power cord.
4. Remove the side cover and support bracket.
5. Locate the CMOS recovery jumper (JCMOS1) on the system board, removing any adapters that impede access to the jumper. An illustration showing the location of the jumper on the system board is in “Recovering from a POST/BIOS update failure” on page 99.
6. Move the CMOS recovery jumper from pins 1 and 2 to pins 2 and 3.
7. Wait 60 seconds; then, return the CMOS recovery jumper to pins 1 and 2.
8. Replace any adapters that were removed; then, replace the support bracket and replace the side cover.

You can now start the computer one time, and start the Configuration/Setup Utility program, without having to use the power-on password. At this time, you can either delete the old password or set a new user password. If you do not change or delete the password, the next time you start the computer the original user password will be reinstated.
9. Connect the computer to a power source, keyboard, monitor, and mouse.
10. Turn on the computer. The Configuration/Setup Utility program starts.
11. Follow the instructions to erase the existing password or create a new password.
12. Select **Save Settings** and press Enter.

---

## Replacing the battery

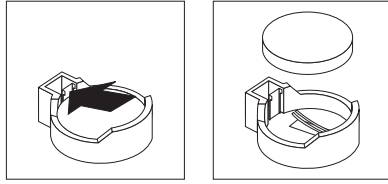
When replacing the battery, you must replace it with a lithium battery of the same type from the same manufacturer. To avoid possible danger, read and follow the information in “Safety” on page vii.

To order replacement batteries, call 1-800-426-7378 within the United States, and 1-800-465-7999 or 1-800-465-6666 within Canada. Outside the U.S. and Canada, call your IBM marketing representative or authorized reseller.

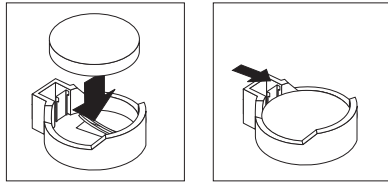
**Note:** After you replace the battery, you must reconfigure the computer and reset the system date and time.

Complete the following steps to replace the battery:

1. Review the safety information beginning on page vii, “Installation guidelines” on page 33, and “Handling static-sensitive devices” on page 33..
2. Follow any special handling and installation instructions that come with the replacement battery.
3. Turn off the computer and all attached devices. Disconnect all external cables and power cords; then, remove the computer cover and the support bracket. (See “Removing the side cover” on page 38)
4. Remove the battery:
  - a. Use a fingernail to press the top of the battery clip away from the battery. The battery pops up when released.
  - b. Use your thumb and index finger to lift the battery from the socket.



5. Insert the new battery:
  - a. Tilt the battery so that you can insert it into the socket on the side opposite the battery clip.
  - b. Press the battery down into the socket until it clicks into place. Make sure that the battery clip holds the battery securely.



6. Replace the cover and connect the cables.
7. Turn on the computer.
8. Start the Configuration/Setup Utility program and set configuration parameters.
  - Set the system date and time.
  - Set passwords if necessary.
  - Save the configuration.

---

## Appendix A. Getting help and technical assistance

If you need help, service, or technical assistance or just want more information about IBM products, you will find a wide variety of sources available from IBM to assist you. This appendix contains information about where to go for additional information about IBM and IBM products, what to do if you experience a problem with your xSeries or IntelliStation system, and whom to call for service, if it is necessary.

---

### Before you call

Before you call, make sure that you have taken these steps to try to solve the problem yourself:

- Check all cables to make sure that they are connected.
- Check the power switches to make sure that the system is turned on.
- Use the troubleshooting information in your system documentation, and use the diagnostic tools that come with your system. Information about diagnostic tools is in the *Hardware Maintenance Manual and Troubleshooting Guide* on the IBM *xSeries Documentation* CD or in the *IntelliStation Hardware Maintenance Manual* at the IBM Support Web site.
- Go to the IBM Support Web site at <http://www.ibm.com/pc/support/> to check for technical information, hints, tips, and new device drivers or to submit a request for information.

You can solve many problems without outside assistance by following the troubleshooting procedures that IBM provides in the online help or in the publications that are provided with your system and software. The information that comes with your system also describes the diagnostic tests that you can perform. Most xSeries and IntelliStation systems, operating systems, and programs come with information that contains troubleshooting procedures and explanations of error messages and error codes. If you suspect a software problem, see the information for the operating system or program.

---

### Using the documentation

Information about your IBM xSeries or IntelliStation system and preinstalled software, if any, is available in the documentation that comes with your system. That documentation includes printed books, online books, readme files, and help files. See the troubleshooting information in your system documentation for instructions for using the diagnostic programs. The troubleshooting information or the diagnostic programs might tell you that you need additional or updated device drivers or other software. IBM maintains pages on the World Wide Web where you can get the latest technical information and download device drivers and updates. To access these pages, go to <http://www.ibm.com/pc/support/> and follow the instructions. Also, you can order publications through the IBM Publications Ordering System at <http://www.elink.ibm.com/public/applications/publications/cgibin/pbi.cgi>.

---

## Getting help and information from the World Wide Web

On the World Wide Web, the IBM Web site has up-to-date information about IBM xSeries and IntelliStation products, services, and support. The address for IBM xSeries information is <http://www.ibm.com/eserver/xseries/>. The address for IBM IntelliStation information is <http://www.ibm.com/pc/intellistation/>.

You can find service information for your IBM products, including supported options, at <http://www.ibm.com/pc/support/>.

---

## Software service and support

Through IBM Support Line, you can get telephone assistance, for a fee, with usage, configuration, and software problems with xSeries servers, IntelliStation workstations, and appliances. For information about which products are supported by Support Line in your country or region, go to <http://www.ibm.com/services/sl/products/>.

For more information about Support Line and other IBM services, go to <http://www.ibm.com/services/>, or go to <http://www.ibm.com/planetwide/> for support telephone numbers. In the U.S. and Canada, call 1-800-IBM-SERV (1-800-426-7378).

---

## Hardware service and support

You can receive hardware service through IBM Services or through your IBM reseller, if your reseller is authorized by IBM to provide warranty service. Go to <http://www.ibm.com/planetwide/> for support telephone numbers, or in the U.S. and Canada, call 1-800-IBM-SERV (1-800-426-7378).

In the U.S. and Canada, hardware service and support is available 24 hours a day, 7 days a week. In the U.K., these services are available Monday through Friday, from 9 a.m. to 6 p.m.

---

## Appendix B. Notices

This information was developed for products and services offered in the U.S.A.

IBM may not offer the products, services, or features discussed in this document in other countries. Consult your local IBM representative for information on the products and services currently available in your area. Any reference to an IBM product, program, or service is not intended to state or imply that only that IBM product, program, or service may be used. Any functionally equivalent product, program, or service that does not infringe any IBM intellectual property right may be used instead. However, it is the user's responsibility to evaluate and verify the operation of any non-IBM product, program, or service.

IBM may have patents or pending patent applications covering subject matter described in this document. The furnishing of this document does not give you any license to these patents. You can send license inquiries, in writing, to:

*IBM Director of Licensing  
IBM Corporation  
North Castle Drive  
Armonk, NY 10504-1785  
U.S.A.*

INTERNATIONAL BUSINESS MACHINES CORPORATION PROVIDES THIS PUBLICATION "AS IS" WITHOUT WARRANTY OF ANY KIND, EITHER EXPRESS OR IMPLIED, INCLUDING, BUT NOT LIMITED TO, THE IMPLIED WARRANTIES OF NON-INFRINGEMENT, MERCHANTABILITY OR FITNESS FOR A PARTICULAR PURPOSE. Some states do not allow disclaimer of express or implied warranties in certain transactions, therefore, this statement may not apply to you.

This information could include technical inaccuracies or typographical errors. Changes are periodically made to the information herein; these changes will be incorporated in new editions of the publication. IBM may make improvements and/or changes in the product(s) and/or the program(s) described in this publication at any time without notice.

Any references in this information to non-IBM Web sites are provided for convenience only and do not in any manner serve as an endorsement of those Web sites. The materials at those Web sites are not part of the materials for this IBM product, and use of those Web sites is at your own risk.

IBM may use or distribute any of the information you supply in any way it believes appropriate without incurring any obligation to you.

---

### Edition notice

**© Copyright International Business Machines Corporation 2004. All rights reserved.**

U.S. Government Users Restricted Rights — Use, duplication, or disclosure restricted by GSA ADP Schedule Contract with IBM Corp.

---

## Trademarks

The following terms are trademarks of International Business Machines Corporation in the United States, other countries, or both:

Active Memory	Predictive Failure Analysis
Active PCI	PS/2
Active PCI-X	ServeRAID
Alert on LAN	ServerGuide
BladeCenter	ServerProven
C2T Interconnect	TechConnect
Chipkill	ThinkPad
EtherJet	Tivoli
e-business logo	Tivoli Enterprise
@server	Update Connector
FlashCopy	Wake on LAN
IBM	XA-32
IBM (logo)	XA-64
IntelliStation	X-Architecture
NetBAY	Xcel4
Netfinity	XpandOnDemand
NetView	xSeries
OS/2 WARP	

Intel, MMX, and Pentium are trademarks of Intel Corporation in the United States, other countries, or both.

Microsoft, Windows, and Windows NT are trademarks of Microsoft Corporation in the United States, other countries, or both.

UNIX is a registered trademark of The Open Group in the United States and other countries.

Java and all Java-based trademarks and logos are trademarks or registered trademarks of Sun Microsystems, Inc. in the United States, other countries, or both.

Adaptec and HostRAID are trademarks of Adaptec, Inc., in the United States, other countries, or both.

Linux is a trademark of Linus Torvalds in the United States, other countries, or both.

Red Hat, the Red Hat "Shadow Man" logo, and all Red Hat-based trademarks and logos are trademarks or registered trademarks of Red Hat, Inc., in the United States and other countries.

Other company, product, or service names may be trademarks or service marks of others.



---

## Important notes

Processor speeds indicate the internal clock speed of the microprocessor; other factors also affect application performance.

CD-ROM drive speeds list the variable read rate. Actual speeds vary and are often less than the maximum possible.

When referring to processor storage, real and virtual storage, or channel volume, KB stands for approximately 1000 bytes, MB stands for approximately 1 000 000 bytes, and GB stands for approximately 1 000 000 000 bytes.

When referring to hard disk drive capacity or communications volume, MB stands for 1 000 000 bytes, and GB stands for 1 000 000 000 bytes. Total user-accessible capacity may vary depending on operating environments.

Maximum internal hard disk drive capacities assume the replacement of any standard hard disk drives and population of all hard disk drive bays with the largest currently supported drives available from IBM.

Maximum memory may require replacement of the standard memory with an optional memory module.

IBM makes no representation or warranties regarding non-IBM products and services that are ServerProven, including but not limited to the implied warranties of merchantability and fitness for a particular purpose. These products are offered and warranted solely by third parties.

IBM makes no representations or warranties with respect to non-IBM products. Support (if any) for the non-IBM products is provided by the third party, not IBM.

Some software may differ from its retail version (if available), and may not include user manuals or all program functionality.

---

## Product recycling and disposal

This unit contains materials such as circuit boards, cables, electromagnetic compatibility gaskets, and connectors which may contain lead and copper/beryllium alloys that require special handling and disposal at end of life. Before this unit is disposed of, these materials must be removed and recycled or discarded according to applicable regulations. IBM offers product-return programs in several countries. Information on product recycling offerings can be found on IBM's Internet site at <http://www.ibm.com/ibm/environment/products/prp.shtml>.

---

## Battery return program

This product may contain a sealed lead acid, nickel cadmium, nickel metal hydride, lithium, or lithium ion battery. Consult your user manual or service manual for specific battery information. The battery must be recycled or disposed of properly. Recycling facilities may not be available in your area. For information on disposal of batteries outside the United States, go to <http://www.ibm.com/ibm/environment/products/batteryrecycle.shtml> or contact your local waste disposal facility.

In the United States, IBM has established a collection process for reuse, recycling, or proper disposal of used IBM sealed lead acid, nickel cadmium, nickel metal hydride, and battery packs from IBM equipment. For information on proper disposal of these batteries, contact IBM at 1-800-426-4333. Have the IBM part number listed on the battery available prior to your call.

In the Netherlands, the following applies.



---

## Electronic emission notices

### Federal Communications Commission (FCC) statement

**Note:** This equipment has been tested and found to comply with the limits for a Class A digital device, pursuant to Part 15 of the FCC Rules. These limits are designed to provide reasonable protection against harmful interference when the equipment is operated in a commercial environment. This equipment generates, uses, and can radiate radio frequency energy and, if not installed and used in accordance with the instruction manual, may cause harmful interference to radio communications. Operation of this equipment in a residential area is likely to cause harmful interference, in which case the user will be required to correct the interference at his own expense.

Properly shielded and grounded cables and connectors must be used in order to meet FCC emission limits. IBM is not responsible for any radio or television interference caused by using other than recommended cables and connectors or by unauthorized changes or modifications to this equipment. Unauthorized changes or modifications could void the user's authority to operate the equipment.

This device complies with Part 15 of the FCC Rules. Operation is subject to the following two conditions: (1) this device may not cause harmful interference, and (2) this device must accept any interference received, including interference that may cause undesired operation.

## **Industry Canada Class A emission compliance statement**

This Class A digital apparatus complies with Canadian ICES-003.

### **Avis de conformité à la réglementation d'Industrie Canada**

Cet appareil numérique de la classe A est conforme à la norme NMB-003 du Canada.

## **Australia and New Zealand Class A statement**

**Attention:** This is a Class A product. In a domestic environment this product may cause radio interference in which case the user may be required to take adequate measures.

## **United Kingdom telecommunications safety requirement**

### **Notice to Customers**

This apparatus is approved under approval number NS/G/1234/J/100003 for indirect connection to public telecommunication systems in the United Kingdom.

## **European Union EMC Directive conformance statement**

This product is in conformity with the protection requirements of EU Council Directive 89/336/EEC on the approximation of the laws of the Member States relating to electromagnetic compatibility. IBM cannot accept responsibility for any failure to satisfy the protection requirements resulting from a nonrecommended modification of the product, including the fitting of non-IBM option cards.

This product has been tested and found to comply with the limits for Class A Information Technology Equipment according to CISPR 22/European Standard EN 55022. The limits for Class A equipment were derived for commercial and industrial environments to provide reasonable protection against interference with licensed communication equipment.

**Attention:** This is a Class A product. In a domestic environment this product may cause radio interference in which case the user may be required to take adequate measures.

## Taiwanese Class A warning statement

警告使用者：  
這是甲類的資訊產品，在居住的環境中使用時，可能會造成射頻干擾，在這種情況下，使用者會被要求採取某些適當的對策。

## Chinese Class A warning statement

聲 明  
此為 A 級產品。在生活環境中，該產品可能會造成無線電干擾。在這種情況下，可能需要用戶對其干擾採取切实可行的措施。

## Japanese Voluntary Control Council for Interference (VCCI) statement

この装置は、情報処理装置等電波障害自主規制協議会（VCCI）の基準に基づくクラスA情報技術装置です。この装置を家庭環境で使用すると電波妨害を引き起こすことがあります。この場合には使用者が適切な対策を講ずるよう要求されることがあります。

---

## Power cords

For your safety, IBM provides a power cord with a grounded attachment plug to use with this IBM product. To avoid electrical shock, always use the power cord and plug with a properly grounded outlet.

IBM power cords used in the United States and Canada are listed by Underwriter's Laboratories (UL) and certified by the Canadian Standards Association (CSA).

For units intended to be operated at 115 volts: Use a UL-listed and CSA-certified cord set consisting of a minimum 18 AWG, Type SVT or SJT, three-conductor cord, a maximum of 15 feet in length and a parallel blade, grounding-type attachment plug rated 15 amperes, 125 volts.

For units intended to be operated at 230 volts (U.S. use): Use a UL-listed and CSA-certified cord set consisting of a minimum 18 AWG, Type SVT or SJT, three-conductor cord, a maximum of 15 feet in length and a tandem blade, grounding-type attachment plug rated 15 amperes, 250 volts.

For units intended to be operated at 230 volts (outside the U.S.): Use a cord set with a grounding-type attachment plug. The cord set should have the appropriate safety approvals for the country in which the equipment will be installed.

IBM power cords for a specific country or region are usually available only in that country or region.

<b>IBM power cord part number</b>	<b>Used in these countries and regions</b>
02K0546	China
13F9940	Australia, Fiji, Kiribati, Nauru, New Zealand, Papua New Guinea
13F9979	Afghanistan, Albania, Algeria, Andorra, Angola, Armenia, Austria, Azerbaijan, Belarus, Belgium, Benin, Bosnia and Herzegovina, Bulgaria, Burkina Faso, Burundi, Cambodia, Cameroon, Cape Verde, Central African Republic, Chad, Comoros, Congo (Democratic Republic of), Congo (Republic of), Cote D'Ivoire (Ivory Coast), Croatia (Republic of), Czech Republic, Dahomey, Djibouti, Egypt, Equatorial Guinea, Eritrea, Estonia, Ethiopia, Finland, France, French Guyana, French Polynesia, Germany, Greece, Guadeloupe, Guinea, Guinea Bissau, Hungary, Iceland, Indonesia, Iran, Kazakhstan, Kyrgyzstan, Laos (People's Democratic Republic of), Latvia, Lebanon, Lithuania, Luxembourg, Macedonia (former Yugoslav Republic of), Madagascar, Mali, Martinique, Mauritania, Mauritius, Mayotte, Moldova (Republic of), Monaco, Mongolia, Morocco, Mozambique, Netherlands, New Caledonia, Niger, Norway, Poland, Portugal, Reunion, Romania, Russian Federation, Rwanda, Sao Tome and Principe, Saudi Arabia, Senegal, Serbia, Slovakia, Slovenia (Republic of), Somalia, Spain, Suriname, Sweden, Syrian Arab Republic, Tajikistan, Tahiti, Togo, Tunisia, Turkey, Turkmenistan, Ukraine, Upper Volta, Uzbekistan, Vanuatu, Vietnam, Wallis and Futuna, Yugoslavia (Federal Republic of), Zaire
13F9997	Denmark
14F0015	Bangladesh, Lesotho, Macao, Maldives, Namibia, Nepal, Pakistan, Samoa, South Africa, Sri Lanka, Swaziland, Uganda
14F0033	Abu Dhabi, Bahrain, Botswana, Brunei Darussalam, Channel Islands, China (Hong Kong S.A.R.), Cyprus, Dominica, Gambia, Ghana, Grenada, Iraq, Ireland, Jordan, Kenya, Kuwait, Liberia, Malawi, Malaysia, Malta, Myanmar (Burma), Nigeria, Oman, Polynesia, Qatar, Saint Kitts and Nevis, Saint Lucia, Saint Vincent and the Grenadines, Seychelles, Sierra Leone, Singapore, Sudan, Tanzania (United Republic of), Trinidad and Tobago, United Arab Emirates (Dubai), United Kingdom, Yemen, Zambia, Zimbabwe
14F0051	Liechtenstein, Switzerland
14F0069	Chile, Italy, Libyan Arab Jamahiriya
14F0087	Israel
1838574	Antigua and Barbuda, Aruba, Bahamas, Barbados, Belize, Bermuda, Bolivia, Brazil, Caicos Islands, Canada, Cayman Islands, Costa Rica, Colombia, Cuba, Dominican Republic, Ecuador, El Salvador, Guam, Guatemala, Haiti, Honduras, Jamaica, Japan, Mexico, Micronesia (Federal States of), Netherlands Antilles, Nicaragua, Panama, Peru, Philippines, Taiwan, United States of America, Venezuela
24P6858	Korea (Democratic People's Republic of), Korea (Republic of)
34G0232	Japan

<b>IBM power cord part number</b>	<b>Used in these countries and regions</b>
36L8880	Argentina, Paraguay, Uruguay
49P2078	India
49P2110	Brazil
6952300	Antigua and Barbuda, Aruba, Bahamas, Barbados, Belize, Bermuda, Bolivia, Caicos Islands, Canada, Cayman Islands, Colombia, Costa Rica, Cuba, Dominican Republic, Ecuador, El Salvador, Guam, Guatemala, Haiti, Honduras, Jamaica, Mexico, Micronesia (Federal States of), Netherlands Antilles, Nicaragua, Panama, Peru, Philippines, Saudi Arabia, Thailand, Taiwan, United States of America, Venezuela

---

# Index

## A

- acoustical noise emissions 3
- Adaptec RAID Configuration Utility, using 27
- adapter
  - considerations for 39
  - PCI bus 40
  - PCI or PCI-X 40
  - SCSI 43
- advanced setup 23
- Array Configuration Utility
  - using to access RAID configuration 27
  - using to configure the SATA controller 27
- audio
  - connectors 16, 66
  - controller 16
  - features 16

## B

- battery
  - replacement 101
- bays, filler panel 46
- beep codes 73
- bezel
  - removing 39
  - replacing 63
- bi-directional parallel port configuration 67
- BIOS code, updating 98
- Broadcom NetXtreme Gigabit Ethernet Boot Agent
  - enabling 26
  - general 21

## C

- cables
  - internal drives 52
  - power 52
  - signal 52
  - USB 69
- cablings
  - Ethernet 66
  - external SCSI connector 61
  - SCSI adapter 43
  - SCSI drives 52
  - SCSI requirements 68
  - Serial ATA drives 52
- cache control 23
- CD-ROM drive
  - eject button 10
  - installing 44
- CD-ROM problems 89
- channels, SCSI 68
- chart, troubleshooting 88
- Class A electronic emission notice 108
- components
  - location of 34
  - system 34

- computer
  - configuring 21
  - controls on 9
  - indicators on 9
  - shutting down 19
  - turning on 10
- configuration
  - custom 30
  - express 30
  - fine-tuning 30
  - ServeRAID programs 21
  - summary window 30
- configuration programs
  - Adaptec RAID Configuration Utility programs 21
  - Broadcom NetXtreme Gigabit Ethernet Boot Agent 21
  - Configuration/Setup Utility program 21
  - general 21
  - SCSISelect Utility program 21
- configuring
  - the computer 21
  - the controller using ServeRAID Manager 29
  - the Ethernet controller 31
- connecting external options 64
- connector
  - mouse 66
  - parallel port 67
  - video 69
- connectors
  - audio 66
  - Ethernet 66
  - external SCSI 61
  - front 9
  - IEEE 1394 (FireWire) 67
  - input/output 65
  - rear 65
  - serial 68
  - Serial ATA 45
  - Ultra 320 SCSI 68
  - universal serial bus (USB) 68
- controller
  - Ethernet 4, 31
  - SCSI 43
    - configuring 28
  - Serial ATA 21
    - configuring 27
- controls and indicators 9
- cooling 3, 33
- core chipset control 24
- cover
  - removing 38
  - replacing 64
- creating
  - an emergency recovery diskette in Windows 13
  - an IBM Enhanced Diagnostics diskette in Windows 14
- custom configuration 30

## D

- data protection
  - SMART hard disk drive 17
  - virus protection 17
- data rate, Ethernet controller 31
- device drivers
  - installing 97
  - recovering 97
- Device Drivers and IBM Diagnostics CD 97
- diagnostic
  - error message tables 82
  - error messages 80
  - programs 80, 81
  - programs and error messages 80
  - test log 82
  - text messages 81
- diagnostics
  - downloading 14
  - using a diskette 97
- DIMM connector
  - installing memory 55
- DIMM retaining clips 55
- diskette
  - IBM Enhanced Diagnostics
    - creating 14
    - using 97
  - recovery repair
    - creating 13
    - using 97
- diskette drive
  - activity LED 10
  - installing 44, 45
- diskette drive problem 89
- diskette eject button 10
- DMI 17
- drive
  - bay filler panel 46
  - installation 45, 49
- drives, installing 44

## E

- eject button
  - diskette 10
- electrical input 3
- electronic emission Class A notice 108
- enabling
  - Broadcom NetXtreme Gigabit Ethernet Boot Agent 26
  - the SCSI HostRAID feature 28
  - the Serial ATA RAID feature 27
- environment 3
- error LEDs 95
- error messages
  - diagnostic 80, 82
  - POST 75
- Ethernet
  - cabling 66
  - connector 66
  - high performance modes 31

- Ethernet (*continued*)
  - integrated on system board 31
  - modes 31
  - port 66
  - teaming 31
  - troubleshooting information 96
- Ethernet controller 4
  - configuration 21
  - configuring 31
- express configuration 30
- external connectors 37
- external options, connecting 64

## F

- FCC Class A notice 108
- feature
  - SATA RAID, enabling 27
  - SCSI RAID, enabling 28
- features and specifications 3
- filler panel 46

## G

- guidelines for options installation 33

## H

- handling static-sensitive devices 33
- hard disk drive
  - installing 44
- hardware, major components 34
- heat output 3
- HostRAID considerations 45
- HostRAID feature for SATA
  - enabling 27
  - using to configure the integrated SATA controller 27
- HostRAID feature for SCSI
  - enabling 28
  - using to configure the SCSI controller 28

## I

- IBM Configuration/Setup Utility program
  - menu choices 22
  - starting 22
  - using 22
- IBM Director Agent 18
- IDs, setting SCSI 68
- IEEE 1394 (FireWire) connectors 67
- information, related publications 1
- input/output
  - connectors 65
- input/output connectors 65
- installation sequence, memory modules 54
- installing
  - battery 101
  - bezel 63
  - drives in bays 4, 5, or 6 49
  - internal drives 44



- installing (*continued*)
  - memory modules 54
  - microprocessor 57
  - options 33
  - other operating systems 12
  - SCSI cable 61
  - security rope clip 62
- integrated Serial ATA controller, configuring 27
- intermittent problems 90
- internal
  - connector 36
  - drive bays 44
  - drives, installing 44

## K

- keyboard problems 90

## L

- LEDs
  - activity 9, 10
  - error 95
- local area network (LAN) 4

## M

- managing your computer 18
- memory
  - installing 54
  - modules 55
  - problems 91
- memory module
  - sequence of installation 54
  - specifications 3
- messages
  - diagnostic error 80, 82
  - diagnostic text 81
  - POST 75
  - small computer system interface (SCSI) 88
- microprocessor
  - cache 24
  - heat sink 60
  - installing 57
  - specifications 3
- modes, Ethernet 31
- monitor
  - problems 91
  - settings 15
- mouse
  - connector 66
  - problems 90

## N

- notes, important 107
- notices
  - book 2
  - electronic emission 108
  - FCC, Class A 108

## O

- operating system
  - installing 12
  - preinstalled 4
  - recovering 96
  - running the setup program 12
- operating your computer 9
- optical drive 53
- option problems 92
- options installation 33
  - guidelines 33

## P

- parallel port
  - connector 67
  - problem 93
- password
  - administrator 17
  - forgotten power-on 25
  - setting 23
  - user 17
  - using 25
- passwords
  - resetting 25
- PC-Doctor for Windows
  - program 88
  - using 88
- PCI adapters 40
- PCI configuration 23, 24
- PCI expansion slots 3
- pointing device problems 90
- POST (power-on self-test) 73
- POST error messages 75
- power cords 110
  - disconnecting 61
- power supply specifications 3
- power-control button 9
- power-on LED 9
- problems
  - CD-ROM drive 89
  - diskette drive 89
  - intermittent 90
  - keyboard 90
  - memory 91
  - mouse 90
  - option 92
  - parallel port 93
  - pointing device 90
  - power 93
  - printer 93
  - serial port 94
  - software 94
  - USB port 94
- processor control 24
- Product Recovery program 5
  - starting 11
  - using 96

## R

- RAS features 7
- recovering
  - device drivers 97
  - operating system 96
  - POST/BIOS update failure 99
  - preinstalled software 96
- recovery repair diskette
  - creating 13
- recovery-repair diskette
  - using 97
- registering your computer
  - in Red Hat Linux 13
  - in Windows 13
- related publications 1
- reliability, system 33
- Remote Deployment Manager 19
- removable media drives, installing 44
- removing
  - bezel 39
  - cover 38
- replacing
  - battery 101
  - bezel 63
  - cover 64
- resetting
  - passwords 25
- retaining clips, DIMM 55
- rope clip, installing for security 62

## S

- safety information
  - laser 47
- Safety information vii
- SATA HostRAID feature, enabling 27
- SCSI
  - cabling 68
  - external cable 61
- SCSI (Ultra320)
  - connector 68
- SCSI connector
  - description 68
  - location 61
- SCSI controller
  - cabling 43
  - configuring 28
- SCSI HostRAID feature
  - enabling 28
  - using to configure the SCSI controller 28
- SCSI IDs
  - setting 68
- SCSISelect Utility program
  - menu choices 31
  - starting 31
  - using 31
  - using to configure the SCSI controller 28
- security
  - anti-intrusion 17
  - chassis-intrusion detector 17

- security (*continued*)
  - component protection 17
  - data protection 17
  - features 16
  - locking the keyboard 17
  - passwords 17
  - rope clip 62
  - SMART hard disk drive 17
  - virus protection 17
- sequence of installation, memory modules 54
- serial
  - connectors 68
  - port problems 94
- ServeRAID Manager 30
  - Configuration wizard 29
  - description 29
  - overview 29
  - startable-CD mode 29
  - using 29
- ServeRAID programs 21
- setting
  - SCSI IDs 68
- setup
  - advanced 23
- size 3
- small computer system interface (SCSI)
  - cabling requirements 68
  - messages 88
  - setting IDs 68
- software
  - available on the Web 6
  - CDs 5
  - installed 4
  - network management 18
  - other 6
  - preinstalled 5
  - problems 94
  - system management 18
- startable-CD mode 29
- starting
  - diagnostic programs 81
  - SCSISelect Utility program 31
- starting the computer 11
- static-sensitive devices, handling 33
- system board
  - connectors
    - SCSI 68
  - error LEDs 95
  - internal connectors 36
  - option connectors 35
- system management
  - capabilities 4
  - IBM Director Agent 18
  - Remote Deployment Manager 19
  - System Migration Assistant (SMA) 19
  - Wake on LAN 18, 19
- System Migration Assistant (SMA) 19
- system offerings 4
- system programs, updating 18
- system reliability 33
- system specifications 3

## T

- tape drive, installing 44
- test log
  - error messages 82
  - viewing diagnostic 82
- thermal material, heat sink 60
- trademarks 106
- troubleshooting
  - chart 88
  - Ethernet controller 96
- turn off computer 19
- turn on computer 10

## U

- Ultra160 SCSI connector 68
- United States electronic emission Class A notice 108
- United States FCC Class A notice 108
- universal serial bus (USB)
  - cables 69
  - connectors 68
- Universal Serial Bus (USB) problems 94
- updating
  - system programs 18
- using
  - Adaptec RAID Configuration Utility 27
  - Boot Menu program 26
  - Configuration/Setup Utility program 21
  - Enhanced Diagnostics diskette 97
  - IBM Configuration/Setup Utility program 22
  - passwords 23, 25
  - Product Recovery program 96
  - recovery-repair diskette 97
  - SCSI HostRAID to configure the controller 28
  - SCSISelect Utility program 31
  - ServeRAID Manager 29
  - the Adaptec HostRAID configuration programs 26
  - the SATA HostRAID feature 27
  - the SCSI HostRAID feature 28
  - the SCSISelect Utility 28

## V

- video
  - connector 69
  - device drivers 15
  - DVI connector 69
  - features 15
  - monitor settings 15
- video controller 3

## W

- Wake on LAN 18, 19
- weight 3







Part Number: 88P8980

Printed in USA

(1P) P/N: 88P8980

