



Rack Installation Instructions

Review the documentation that comes with your rack cabinet for safety and cabling information. When installing your server in a rack cabinet, consider the following:

- Ensure the room air temperature is below 35°C (95°F).
- Do not block any air vents; usually, 15 cm (6 in.) of air space provides proper airflow.
- Plan the device installation starting from the bottom of the rack cabinet.
- Install the heaviest device in the bottom of the rack cabinet.
- Do not extend more than one device out of the rack cabinet at the same time.
- Remove the rack doors and side panels to provide easier access during installation.
- Connect the server to a properly grounded outlet.
- Do not overload the power outlet when installing multiple devices in the rack cabinet.
- Some servers come with a cable-management-arm bracket. If you decide to install this bracket, use the instructions in this document.



Use safe practices when lifting.



≈18 kg (39.7 lb)



≈32 kg (70.5 lb)



≈55 kg (121.2 lb)



Do not place any object weighing more than 50 kg (110 lb) on top of rack-mounted devices.



>50 kg (110 lb)

IBM is a trademark of the IBM Corporation in the United States, other countries, or both.

© Copyright International Business Machines Corporation 2002. All rights reserved. US Government Users Restricted Rights — Use, Duplication, or disclosure restricted by GSA ADP Schedule Contract with IBM Corporation.

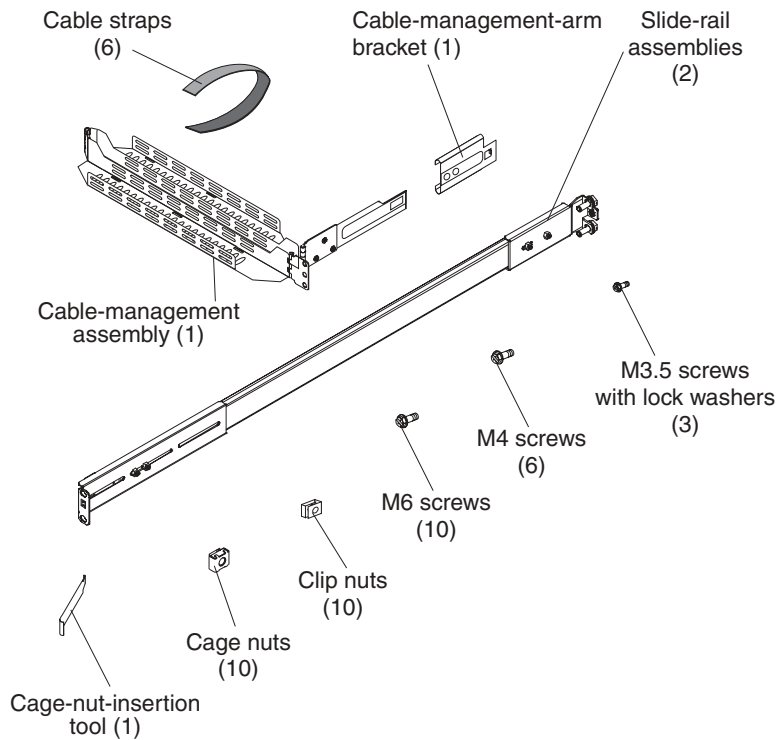
Part Number: 33P2610

Printed in U.S.A.

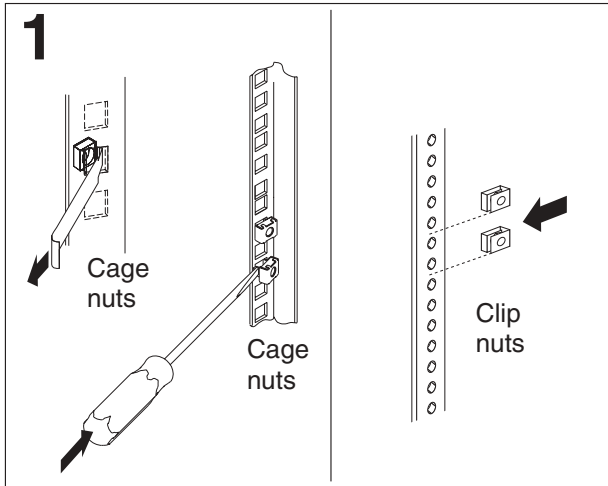


1P33P2610

You will need a flat-blade screwdriver and a Phillips screwdriver during the installation. The following illustration shows the items that you need to install the server in your rack cabinet. If any items are missing or damaged, contact your place of purchase.

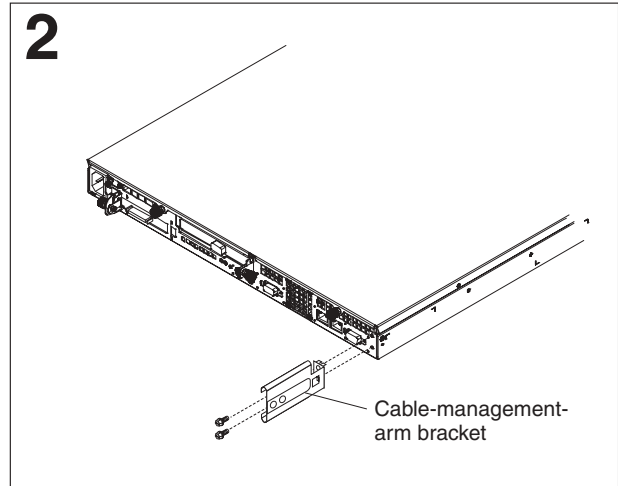


Note: The right and left slide rails are identical.

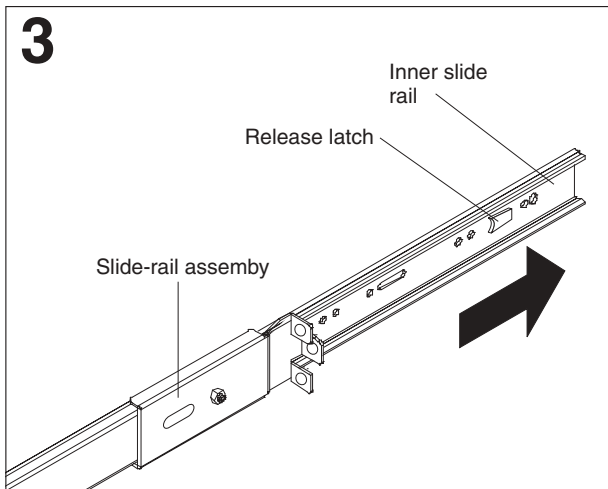


1 Select a 1-U-size location in the rack cabinet. Starting with the right front side of the rack cabinet (as viewed from the front of the server), install a clip nut or cage nut in the top and bottom positions of the 1-U location that you selected. Then, install a clip nut or cage nut in the corresponding positions on the rear of the rack cabinet.

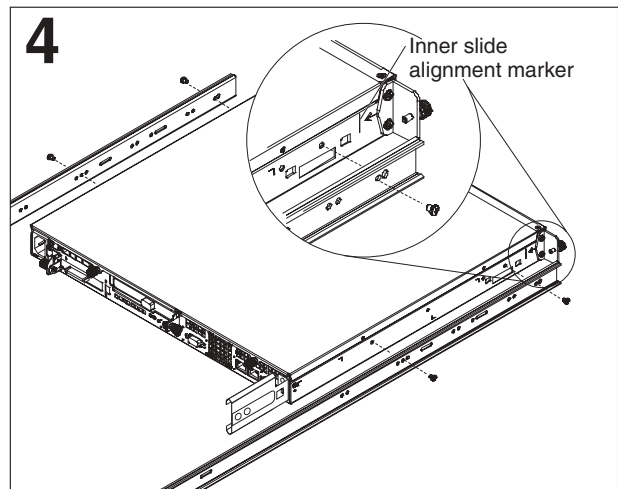
Repeat this step for the left front side of the rack cabinet and the corresponding location on the rear of the rack cabinet.



2 Align and attach the cable-management-arm bracket on the right side of the server (as viewed from the rear of the server). Then, insert and tighten the two M3.5 screws with lock washers to secure the cable-management-arm bracket to the server.

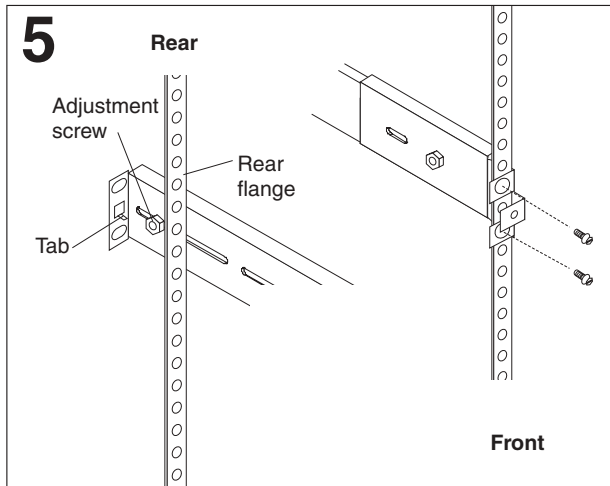


3 Remove the inner slide rails from the slide-rail assemblies by pressing the release latches on the sides of the slide-rail assemblies.



4 Place an inner slide rail at the alignment marker as indicated by the arrow on the side of the server. Use two M4 screws to secure the inner slide rail to the server.

Repeat this step to attach the other inner slide rail to the server.

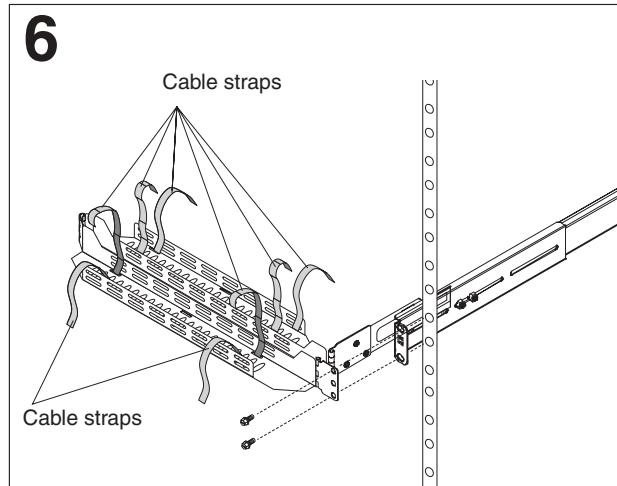


Insert the tab on the rear of the slide-rail assembly through the center hole between the two clip nuts or cage nuts on the rear flange. Then, align the slide-rail assembly to the front flange on the rack cabinet.

Note: If it is necessary to adjust the length of the slide rail, loosen the adjustment screw on the rear of the slide rail; then, adjust the length of the slide rail and tighten the adjustment screw.

Insert and tighten two M6 screws to secure the slide rail to the front flange.

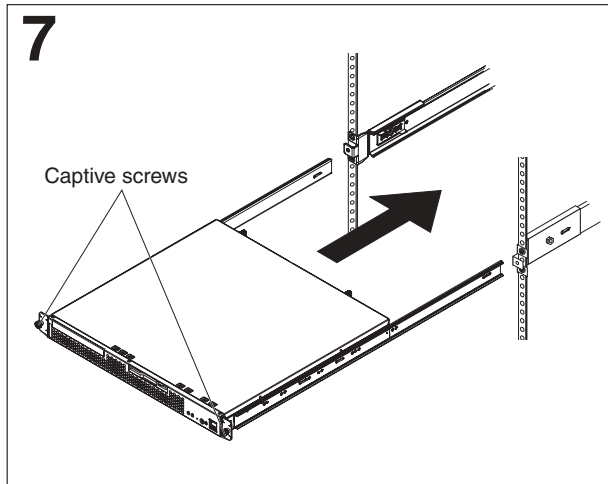
Repeat this step to install the other slide-rail assembly.



Insert four cable straps through the slots on the cable-management arm.

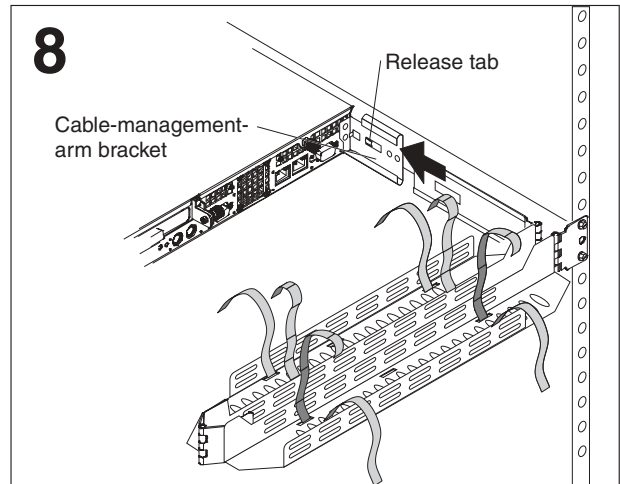
Align the screw holes on the cable-management arm with the screw holes on the right rear flange and slide-rail assembly. Insert and tighten two M6 screws to secure the cable-management arm to the rear flange.

Insert and tighten two M6 screws to secure the other slide-rail assembly to the rear flange.



Align and insert the inner slide rails into the slide-rail assemblies until they lock into place. Slide the server into the rack cabinet until the server locks into place.

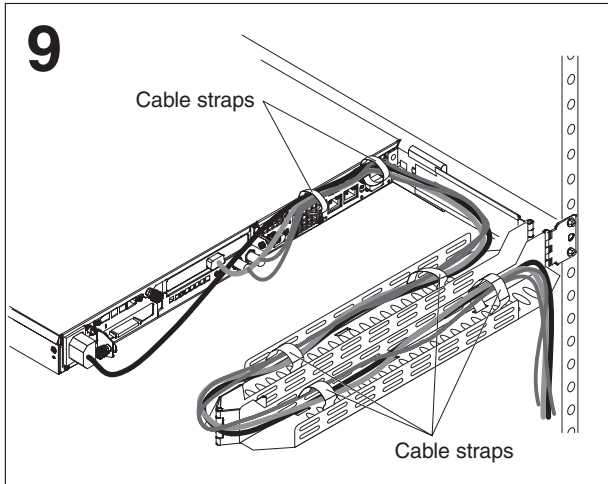
Tighten the captive screw on each side of the front of the server to secure the server to the rack cabinet.



If necessary, slide any devices out of the front of the rack cabinet to access the rear of the server.

Align the cable-management arm toward the front of the cable-management-arm bracket in the rear of the server. Then, insert and slide the cable-management arm into the cable-management-arm bracket to secure the cable-management arm to the server.

Note: If you need to remove the cable-management arm from the bracket, you must press in the release tab on the bracket.



Attach the power cords and the keyboard, mouse, and Ethernet cables to the server. Because the server does not contain cable-retention brackets or cable strain-relief brackets, you must first bundle the external cables before you route them. Secure the external cables to the cable-management arm with cable straps; then, route all external cables through the cable-management arm.

Notes:

1. Before you route the external cables through the cable-management arm, make sure that the power, keyboard, and mouse cables are bundled and secured to the cable-management arm with cable straps.
2. Leave enough slack in the cables to allow for sliding the server in or out of the cabinet.

Your Rack Installation kit comes with self-adhesive labels to use for identifying your server in the rack configuration. Place these labels on the front of the server.

To remove the server from the rack cabinet, reverse these instructions. Store this information with your server documentation for future use.