

Nortel Networks Layer 2-7 GbE Switch Module for IBM
eServer BladeCenter



Installation Guide

Nortel Networks Layer 2-7 GbE Switch Module for IBM
eServer BladeCenter



Installation Guide

Note:

Before using this information and the product it supports, read the general information in Appendix B, "IBM Statement of Limited Warranty Z125-4753-07 11/2002," on page 51 and Appendix C, "Notices," on page 71.

Second Edition (March 2004)

© Copyright International Business Machines Corporation 2002, 2004. All rights reserved.

US Government Users Restricted Rights – Use, duplication or disclosure restricted by GSA ADP Schedule Contract with IBM Corp.

Contents

Safety	v
Chapter 1. Introducing the Nortel Networks Layer 2-7 GbE Switch Module for IBM @server BladeCenter	1
Specifications and features	2
Standards	5
Related publications	5
Notices and statements used in this book	9
Major components of the GbE switch module.	10
Chapter 2. Installing and removing a switch module	11
Installation guidelines	12
System reliability considerations	12
Handling static-sensitive devices	13
Installing a switch module	14
Removing a switch module	17
Chapter 3. Information panel LEDs and external ports	19
Information panel	19
LEDs	19
Chapter 4. Configuring the GbE switch module	21
Establishing a TCP/IP session for the GbE switch through the management module	24
Enabling the external ports	26
Establishing a TCP/IP session for the switch through the external switch-module connectors	29
Externally managing the GbE switch module	31
Configuring through the browser-based interface	33
Configuring through the Telnet interface	35
Connecting to the GbE switch module	35
Telnet usage conventions	35
Accessing the main menu	36
Logging on to the GbE switch module	36
First-time connection to the GbE switch module	37
Chapter 5. Management module software level	39
Chapter 6. Updating the GbE switch software	41
Determining the level of GbE switch software.	41
Obtaining the latest level of switch software	42
Upgrading the switch software	42
Resetting and restarting the GbE switch module	44
Chapter 7. Solving problems	47
Running POST	47
POST errors	48
Appendix A. Getting help and technical assistance	49
Before you call	49
Using the documentation	49
Getting help and information from the World Wide Web	49
Software service and support	50

Hardware service and support	50
Appendix B. IBM Statement of Limited Warranty Z125-4753-07 11/2002	51
Part 1 - General Terms	51
Part 2 - Country-unique Terms	54
Part 3 - Warranty Information	67
Appendix C. Notices	71
Edition notice	72
Trademarks	72
Important notes.	72
Product recycling and disposal	73
Battery return program	73
Electronic emission notices	74
Federal Communications Commission (FCC) statement	74
Industry Canada Class A emission compliance statement	74
Australia and New Zealand Class A statement	74
United Kingdom telecommunications safety requirement.	74
European Union EMC Directive conformance statement.	75
Taiwanese Class A warning statement	75
Chinese Class A warning statement	75
Japanese Voluntary Control Council for Interference (VCCI) statement	75
Power cords	76
Index	79

Safety

Before installing this product, read the Safety Information.

قبل تركيب هذا المنتج، يجب قراءة الملاحظات الأمنية

Antes de instalar este produto, leia as Informações de Segurança.

在安装本产品之前，请仔细阅读 **Safety Information** (安全信息)。

安裝本產品之前，請先閱讀「安全資訊」。

Prije instalacije ovog produkta obavezno pročitajte Sigurnosne Upute.

Před instalací tohoto produktu si přečtete příručku bezpečnostních instrukcí.

Læs sikkerhedsforskrifterne, før du installerer dette produkt.

Lees voordat u dit product installeert eerst de veiligheidsvoorschriften.

Ennen kuin asennat tämän tuotteen, lue turvaohjeet kohdasta Safety Information.

Avant d'installer ce produit, lisez les consignes de sécurité.

Vor der Installation dieses Produkts die Sicherheitshinweise lesen.

Πριν εγκαταστήσετε το προϊόν αυτό, διαβάστε τις πληροφορίες ασφαλείας (safety information).

לפני שתתקינו מוצר זה, קראו את הוראות הבטיחות.

A termék telepítése előtt olvassa el a Biztonsági előírásokat!

Prima di installare questo prodotto, leggere le Informazioni sulla Sicurezza.

製品の設置の前に、安全情報をお読みください。

본 제품을 설치하기 전에 안전 정보를 읽으십시오.

Пред да се инсталира овој продукт, прочитајте информацијата за безбедност.

Les sikkerhetsinformasjonen (Safety Information) før du installerer dette produktet.

Przed zainstalowaniem tego produktu, należy zapoznać się z książką "Informacje dotyczące bezpieczeństwa" (Safety Information).

Antes de instalar este produto, leia as Informações sobre Segurança.

Перед установкой продукта прочтите инструкции по технике безопасности.

Pred inštaláciou tohto zariadenia si pečítajte Bezpečnostné predpisy.

Pred namestitvijo tega proizvoda preberite Varnostne informacije.

Antes de instalar este producto, lea la información de seguridad.

Läs säkerhetsinformationen innan du installerar den här produkten.

Important:

All caution and danger statements in this documentation begin with a number. This number is used to cross reference an English caution or danger statement with translated versions of the caution or danger statement in the *IBM Safety Information* book.

For example, if a caution statement begins with a number 1, translations for that caution statement appear in the *IBM Safety Information* book under statement 1.

Be sure to read all caution and danger statements in this documentation before performing the instructions. Read any additional safety information that comes with your server or optional device before you install the device.

Statement 1:



DANGER

Electrical current from power, telephone, and communication cables is hazardous.

To avoid a shock hazard:

- **Do not connect or disconnect any cables or perform installation, maintenance, or reconfiguration of this product during an electrical storm.**
- **Connect all power cords to a properly wired and grounded electrical outlet.**
- **Connect to properly wired outlets any equipment that will be attached to this product.**
- **When possible, use one hand only to connect or disconnect signal cables.**
- **Never turn on any equipment when there is evidence of fire, water, or structural damage.**
- **Disconnect the attached power cords, telecommunications systems, networks, and modems before you open the device covers, unless instructed otherwise in the installation and configuration procedures.**
- **Connect and disconnect cables as described in the following table when installing, moving, or opening covers on this product or attached devices.**

To Connect:

1. Turn everything OFF.
2. First, attach all cables to devices.
3. Attach signal cables to connectors.
4. Attach power cords to outlet.
5. Turn device ON.

To Disconnect:

1. Turn everything OFF.
2. First, remove power cords from outlet.
3. Remove signal cables from connectors.
4. Remove all cables from devices.

Statement 2:



CAUTION:

When replacing the lithium battery, use only IBM Part Number 33F8354 or an equivalent type battery recommended by the manufacturer. If your system has a module containing a lithium battery, replace it only with the same module type made by the same manufacturer. The battery contains lithium and can explode if not properly used, handled, or disposed of.

Do not:

- **Throw or immerse into water**
- **Heat to more than 100°C (212°F)**
- **Repair or disassemble**

Dispose of the battery as required by local ordinances or regulations.

Statement 3:



CAUTION:

When laser products (such as CD-ROMs, DVD drives, fiber optic devices, or transmitters) are installed, note the following:

- Do not remove the covers. Removing the covers of the laser product could result in exposure to hazardous laser radiation. There are no serviceable parts inside the device.
- Use of controls or adjustments or performance of procedures other than those specified herein might result in hazardous radiation exposure.



DANGER

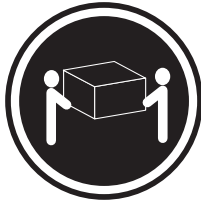
Some laser products contain an embedded Class 3A or Class 3B laser diode. Note the following.

Laser radiation when open. Do not stare into the beam, do not view directly with optical instruments, and avoid direct exposure to the beam.



Class 1 Laser Product
Laser Klasse 1
Laser Klass 1
Luokan 1 Laserlaite
Appareil À Laser de Classe 1

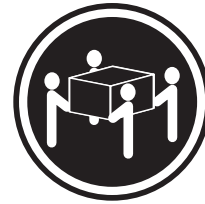
Statement 4:



≥ 18 kg (39.7 lb)



≥ 32 kg (70.5 lb)



≥ 55 kg (121.2 lb)

CAUTION:

Use safe practices when lifting.

Statement 5:



CAUTION:

The power control button on the device and the power switch on the power supply do not turn off the electrical current supplied to the device. The device also might have more than one power cord. To remove all electrical current from the device, ensure that all power cords are disconnected from the power source.



Statement 6:



CAUTION:

If you install a strain-relief bracket option over the end of the power cord that is connected to the device, you must connect the other end of the power cord to an easily accessible power source.

Statement 8:



CAUTION:

Never remove the cover on a power supply or any part that has the following label attached.



Hazardous voltage, current, and energy levels are present inside any component that has this label attached. There are no serviceable parts inside these components. If you suspect a problem with one of these parts, contact a service technician.

Statement 13:



DANGER

Overloading a branch circuit is potentially a fire hazard and a shock hazard under certain conditions. To avoid these hazards, ensure that your system electrical requirements do not exceed branch circuit protection requirements. Refer to the information that is provided with your device for electrical specifications.

WARNING: Handling the cord on this product or cords associated with accessories sold with this product, will expose you to lead, a chemical known to the State of California to cause cancer, and birth defects or other reproductive harm. ***Wash hands after handling.***

ADVERTENCIA: El contacto con el cable de este producto o con cables de accesorios que se venden junto con este producto, pueden exponerle al plomo, un elemento químico que en el estado de California de los Estados Unidos está considerado como un causante de cancer y de defectos congénitos, además de otros riesgos reproductivos. ***Lávese las manos después de usar el producto.***

Chapter 1. Introducing the Nortel Networks Layer 2-7 GbE Switch Module for IBM @server BladeCenter

This *Installation Guide* contains information about setting up, installing, and configuring your Nortel Networks Layer 2-7 GbE Switch Module for IBM® @server BladeCenter®.

Note: Throughout this book, the Nortel Networks Layer 2-7 GbE Switch Module for IBM @server BladeCenter is referred to as the GbE switch module.

For installation details, see Chapter 2, “Installing and removing a switch module,” on page 11. For additional information, see the instructions in your BladeCenter publications.

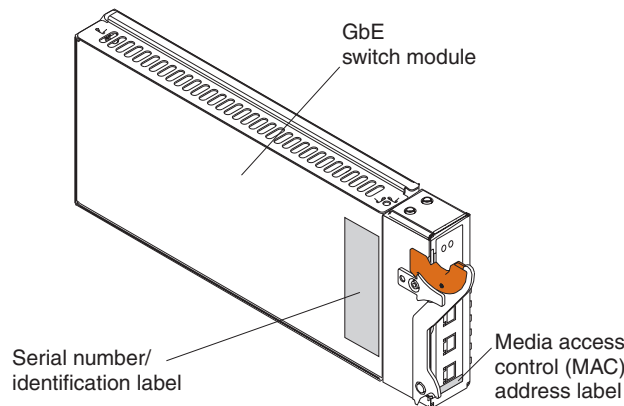
Your GbE switch module is one of up to four GbE switch modules that can be installed in the IBM @server BladeCenter Type 8677, also known as the BladeCenter unit.

You can obtain up-to-date information about your BladeCenter GbE switch module and other IBM server products at <http://www.ibm.com/eserver/xseries/>.

The product name and serial number are located on the identification label on the side of the GbE switch module. You will need this information when you register your GbE switch module with IBM. The media access control (MAC) address is located on a separate label on the information panel under the external Ethernet port connectors.

See the following illustration for the locations of the identification label and the MAC address label.

Note: The illustrations in this document might differ slightly from your hardware.



Record your product information in this table.

Product name	Nortel Networks Layer 2-7 GbE Switch Module for IBM BladeCenter
---------------------	---

Serial number	_____
----------------------	-------

Record your product information in this table.	
Media access control (MAC) address	_____

Specifications and features

This section provides a summary of the specifications and features for your Nortel Networks Layer 2-7 GbE Switch Module for IBM @server BladeCenter. For detailed information about the features, see the *Alteon OS 20.x Application Guide* on the IBM *BladeCenter Documentation* CD or at <http://www.ibm.com.pc/support/> .

The Nortel Networks Layer 2-7 GbE Switch Module for IBM @server BladeCenter has the following features:

- Ports
 - Four external 1000BASE-T connectors for making 10/100/1000 Mbps connections to a backbone, end stations, and servers
 - Fourteen internal full-duplex gigabit ports, one connected to each of the blade servers in the BladeCenter unit
 - Two internal full-duplex 10/100 Mbps ports connected to the management module

- Performance features
 - 64 real servers and 256 real services.
 - 64 virtual servers and 256 virtual services.
 - 128 Internet protocol (IP) interfaces.
 - 128 static route entries.
 - 1024 total policy filters.
 - 2048 dynamic route entries.
 - 2048 forwarding database (FDB) entries.
 - 4096 address resolution protocol (ARP) entries.
 - Layer 2 through Layer 7 (L2-L7) support.
 - 300 000 simultaneous Layer 2 through Layer 7 (L2-L7) sessions.
 - 802.1D spanning tree support; can be disabled on the entire switch or on a per-port basis.
 - Support for 16 multiple spanning tree groups.
 - 802.1Q tagged virtual local area network (VLAN) support.
 - Support for 128 VLANs.
 - Denial-of-Service protection.
 - Forwarding table age time: maximum 1 to 65535 seconds. The default is 300 seconds.
 - Content-based load balancing
 - Hypertext transfer protocol (HTTP).
 - Real time streaming protocol (RTSP).
 - Domain name system (DNS).
 - Layer 4 load balancing.
 - HTTP cookie and secure sockets layer (SSL) session ID persistency.
 - Link aggregation with 802.3 support on four external ports for up to two trunk groups.
 - Media access control (MAC) address learning: Automatic update. Supports 2048 MAC addresses.
 - Packet forwarding rate:
 - Full-wire speed for all connections. 148800 packets per second (pps) per port (for 100 Mbps).
 - 1488100 pps per port (for 1000 Mbps).
 - Random-access memory (RAM) buffer: 128 MB.
 - Real server health checking.
 - High availability Modes
 - Active - Standby
 - Active - Active
 - Hot Standby
 - Trunk Failover
 - Routing Information Protocol version 1 (RIPv1), Border Gateway Protocol version 4 (BGPv4), and Open Shortest Path First version 2 (OSPFv2).
 - Transmission method: Store-and-forward.
- Management
 - Spanning Tree Protocol (STP) for creation of alternative backup paths and prevention of network loops.

- Simple Network Management Protocol (SNMP) version 1.
- Fully configurable either in-band or out-of-band control through SNMP-based software.
- Flash memory for software upgrades. This can be done through Trivial File Transfer Protocol (TFTP) or Hypertext Transfer Protocol (HTTP) Web interface.
- Built-in SNMP management:
 - Bridge management information base (MIB) (RFC 1493)
 - MIB-II (RFC 1213)
 - 802.1P/Q MIB (RFC 2674)
 - Interface MIB (RFC 2233)
- Browser-based management support
- TFTP support
- Bootstrap protocol (BOOTP) support
- Dynamic Host Configuration Protocol (DHCP) client support
- Password enabled
- Telnet remote-control console

You can also manage the switch by using a Simple Network Management Protocol (SNMP) version 1 interface, as described in the *Alteon OS 20.1 Application Guide* on the *IBM BladeCenter Documentation* CD. The SNMP interface supports the following Internet standards:

- RFC 1155, Structure and identification of management information for TCP/IP-based internets, M. T. Rose, K. McCloghrie. May-01-1990.
- RFC 1157, Simple Network Management Protocol (SNMP). J.D. Case, M. Fedor, M. L. Schoffstall, C. Davin. May-01-1990.
- RFC 1212, Concise MIB definitions. M. T. Rose, K. McCloghrie. Mar-01-1991.
- RFC 1213, Management Information Base for Network Management of TCP/IP-based internets: MIB-II. K. McCloghrie, M. T. Rose. Mar-01-1991.
- RFC 1493, Definitions of Managed Objects for Bridges. E. Decker, P. Langille, A. Rijssinghani, K. McCloghrie. July 1993.
- RFC 1573, Evolution of the Interfaces Group of MIB-II. K. McCloghrie, F. Kastenholz. January 1994.
- RFC 1643, Definitions of Managed Objects for the Ethernet-like Interface Types. F. Kastenholz. July 1994.
- RFC 1657, Definitions of Managed Objects for the Fourth Version of the Border Gateway Protocol (BGP-4) using SMIv2. S. Willis, J. Burruss, J. Chu, Ed. July 1994.
- RFC 1724, RIP Version 2 MIB Extension. G. Malkin, F. Baker. November 1994.
- RFC 1757, Remote Network Monitoring Management Information Base. S. Waldbusser. February 1995.
- RFC 1850, OSPF Version 2 Management Information Base. F. Baker, R. Coltun. November 1995.
- RFC 2021, Remote Network Monitoring Management Information Base Version 2 using SMIv2. S. Waldbusser. January 1997 (partial support).
- RFC 2037, Entity MIB using SMIv2. K. McCloghrie, A. Bierman. October 1996 (partial support).
- Network cables:
 - 10BASE-T:

- UTP Category 3, 4, 5 (100 meters maximum)
- 100-ohm STP (100 meters maximum)
- 100BASE-TX:
 - UTP Category 5 (100 meters maximum)
 - EIA/TIA-568 100-ohm STP (100 meters maximum)
- 1000BASE-T:
 - UTP Category 6 (standard for 1 GB devices)
 - UTP Category 5e (100 meters maximum)
 - UTP Category 5 (100 meters maximum)
 - EIA/TIA-568B 100-ohm STP (100 meters maximum)

Standards

The GbE switch module supports the following standards:

- IEEE standards
 - IEEE 802.1d Spanning Tree Protocol
 - IEEE 802.1P Tagged Packets
 - IEEE 802.1Q Tagged VLAN (frame tagging on all ports when VLANs are enabled)
 - IEEE 802.2 Logical Link Control
 - IEEE 802.3 10BASE-T Ethernet
 - IEEE 802.3u 100BASE-TX Fast Ethernet
 - IEEE 802.3x Full-duplex Flow Control
 - IEEE 802.3z
 - 1000BASE-SX Gigabit Ethernet
 - Link Negotiation

Related publications

This *Installation Guide* contains setup and installation instructions for the GbE switch module. This publication also provides general information about your GbE switch module, including warranty information, and how to get help. This printed publication is also on the IBM *BladeCenter Documentation CD*.

In addition to this *Installation Guide*, the following related documentation comes with your GbE switch module:

- *Rack Installation Instructions*

This printed publication contains the instructions to install your BladeCenter unit in a rack.
- *Safety Information*

This publication is in Portable Document Format (PDF) on the IBM *BladeCenter Documentation CD*. It contains translated caution and danger statements. Each caution and danger statement that appears in the documentation has a number that you can use to locate the corresponding statement in your language in the *Safety Information* book.
- *@server BladeCenter Type 8677 Installation and User's Guide*

This publication is in PDF on the IBM *BladeCenter Documentation CD*. It contains general information about your BladeCenter unit, including:

 - Information about features

- How to set up, cable, and start your BladeCenter unit
- How to install options in your BladeCenter unit
- How to configure your BladeCenter unit
- How to perform basic troubleshooting of your BladeCenter unit
- How to get help
- *BladeCenter Management Module User's Guide*

This publication is in PDF on the IBM *BladeCenter Documentation* CD. It provides general information about the management module, including:

 - Information about features
 - How to start the management module
 - How to install the management module
 - How to configure and use the management module
 - How to get help

- *BladeCenter Management Module Installation Guide*
This publication is in PDF on the IBM *BladeCenter Documentation* CD. It provides general information about the management module, including:
 - How to set up and start the management module
 - How to install the management module
 - How to configure the management module
 - How to get help
- *BladeCenter HS20 Installation and User's Guide* for each blade server type
These publications are in PDF on the IBM *BladeCenter Documentation* CD. Each provides general information about a blade server, including:
 - Information about features
 - How to set up and start your blade server
 - How to install options in your blade server
 - How to configure your blade server
 - How to install an operating system on your blade server
 - How to perform basic troubleshooting of your blade server
 - How to get help
- *Hardware Maintenance Manual and Troubleshooting Guides*
The GbE switch module, the BladeCenter unit, and the BladeCenter HS20 product for each blade server type each come with a customized *Hardware Maintenance Manual and Troubleshooting Guide*. These publications are in PDF on the IBM *BladeCenter Documentation* CD. They contain information to help you solve the problem yourself or to provide helpful information to a service technician.
- *Alteon OS 20.x Application Guide Layer 2-7 GbE Switch Module for IBM @server BladeCenter*
This Nortel Networks publication is in PDF on the IBM *BladeCenter Documentation* CD. This publication contains detailed setup and installation instructions for the GbE switch module. It provides:
 - Configuration instructions for your GbE switch module
 - Information about features
 - Information about getting help
 - Guidance for planning, implementing, and administering LAN operating system (LAN OS) software
 - Usage examples
 - Troubleshooting information for your GbE switch module

- *Alteon OS 20.x Browser-Based Interface Quick Guide Layer 2-7 GbE Switch Module for IBM @server BladeCenter*
This Nortel Networks publication is in PDF on the IBM *BladeCenter Documentation* CD. It contains information about the browser-based interface that you can use to:
 - Access switch information
 - Calculate and obtain statistical data
 - Perform switch configuration
- *Alteon OS 20.x Command Reference Layer 2-7 GbE Switch Module for IBM @server BladeCenter*
This Nortel Networks publication is in PDF on the IBM *BladeCenter Documentation* CD. It includes:
 - Information about getting started
 - Information about first-time connection to the GbE switch module
 - Telnet program interface requirements
 - Browser-based network interface requirements
 - Command Line Interface (CLI) operations
 - Maintenance menus
 - Statistics
 - Supported SNMP MIBs
 - Syslog messages
 - Usage examples

Depending on your blade server model, additional publications might be included on the IBM *BladeCenter Documentation* CD.

In addition to reviewing the publications in this library, be sure to review the following publication for information to help you prepare for system installation and configuration: *IBM BladeCenter Planning and Installation Guide* at <http://www.ibm.com/pc/eserver/bladecenter>

If you plan to install a GbE switch module in I/O-module bay 3 or 4 of your BladeCenter unit, you must also install an I/O expansion card (also known as an Ethernet expansion card) in the applicable blade server to support the GbE switch modules in these bays. For information about the types of compatible I/O expansion cards for the blade servers, contact your IBM authorized reseller. For details about I/O expansion cards, see the publications on the IBM *BladeCenter Documentation* CD that pertain to the type of I/O expansion card that you can install in the applicable blade server:

- *IBM @server BladeCenter Gigabit Ethernet Expansion Card Installation Guide*
- *Hardware Maintenance Manual and Troubleshooting Guides*

Notices and statements used in this book

The caution and danger statements that appear in this book are also in the multilingual *Safety Information* book, which is on the IBM *BladeCenter Documentation* CD. Each statement is numbered for reference to the corresponding statement in the *Safety Information* book.

The following types of notices and statements are used in this book:

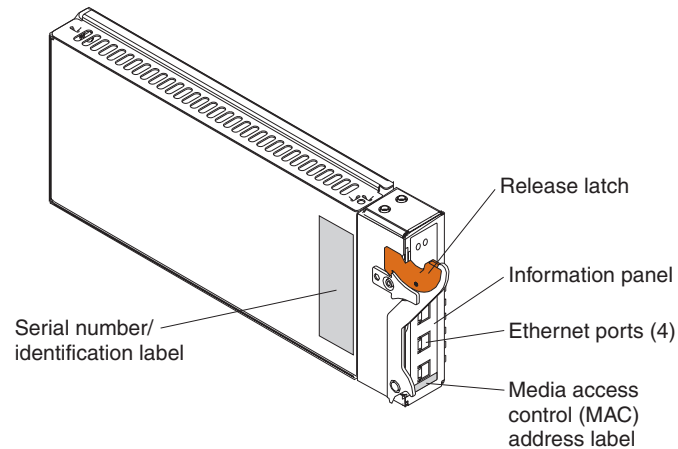
- **Note:** These notices provide important tips, guidance, or advice.
- **Important:** These notices provide information or advice that might help you avoid inconvenient or problem situations.
- **Attention:** These notices indicate possible damage to programs, devices, or data. An attention notice is placed just before the instruction or situation in which damage could occur.
- **Caution:** These statements indicate situations that can be potentially hazardous to you. A caution statement is placed just before the description of a potentially hazardous procedure step or situation.
- **Danger:** These statements indicate situations that can be potentially lethal or extremely hazardous to you. A danger statement is placed just before the description of a potentially lethal or extremely hazardous procedure step or situation.

Major components of the GbE switch module

The orange color on the release latch on your GbE switch module identifies this device as a hot-swappable component. You can install or remove this component while the BladeCenter unit is running.

The following illustration shows the major components of your GbE switch module.

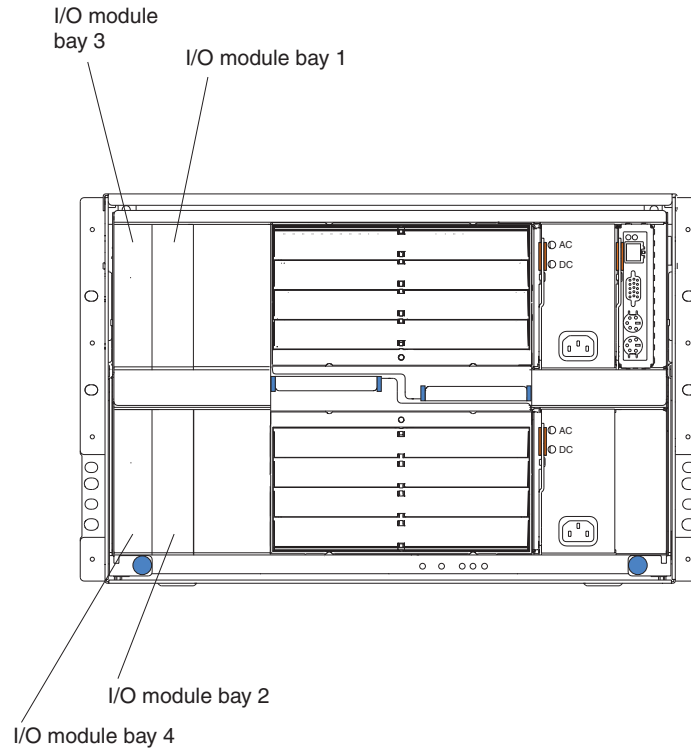
Note: The illustrations in this document might differ slightly from your hardware.



For more information about the components of the information panel, see Chapter 3, "Information panel LEDs and external ports," on page 19. For more information about the MAC address, see the *Alteon OS 20.x Application Guide* on the IBM *BladeCenter Documentation CD*.

Chapter 2. Installing and removing a switch module

The following illustration shows the I/O-module bay locations in the BladeCenter unit.



Attention: To maintain proper system cooling, each I/O-module bay must contain either a module or a filler module; each blade bay must contain either a blade or a filler blade.

Your BladeCenter unit supports a minimum of one hot-plug GbE switch module, in I/O-module bay 1. The GbE switch modules in I/O-module bays 1 and 2 are for the integrated Ethernet controllers in the applicable blade server. The GbE switch modules in I/O-module bays 3 and 4 are for the Ethernet controllers on the I/O expansion card on any applicable blade server.

For additional information about the location of the switch module, see the *BladeCenter Type 8677 Installation and User's Guide* on the IBM *BladeCenter Documentation CD*. For details about network interface requirements and expansion options, see the following books:

- *IBM BladeCenter Planning and Installation Guide* at <http://www.ibm.com/pc/eserver/bladecenter>
- *@server BladeCenter Type 8677 Installation and User's Guide* on the IBM *BladeCenter Documentation CD*
- *BladeCenter HS20 Installation and User's Guide* for each blade server type on the IBM *BladeCenter Documentation CD*

Installation guidelines

Before you begin to install the GbE switch module in your BladeCenter unit, read the following information:

- Read the safety information beginning on page v and the guidelines in “Handling static-sensitive devices” on page 13, and read the safety statements in the BladeCenter unit option publications.
- The orange color on the release latch on your GbE switch module identifies this device as a hot-swap component. You can install or remove this component while the BladeCenter unit is on. See the instructions in this chapter for more information about installing or removing hot-swap or hot-plug components.
- You do not need to turn off the BladeCenter unit to install or replace any of the hot-swap modules on the rear of the BladeCenter unit.
- If you plan to install a GbE switch module in I/O-module bay 3 or 4 of your BladeCenter unit, you must also install an I/O expansion card in the applicable blade server to support the GbE switch modules in these bays.

System reliability considerations

To help ensure proper cooling and system reliability, make sure that:

- Each of the I/O-module bays on the rear of the BladeCenter unit has either a module or filler module installed.
- A removed hot-swap module is replaced with another module or filler module within 1 minute of removal.
- A removed hot-swap blade is replaced with another blade or filler blade within 1 minute of removal.
- Cables for the optional modules are routed according to the illustrations and instructions in this book.

Handling static-sensitive devices

Attention: Static electricity can damage electronic devices and your system. To avoid damage, keep static-sensitive devices in their static-protective packages until you are ready to install them.

To reduce the possibility of electrostatic discharge, observe the following precautions:

- Limit your movement. Movement can cause static electricity to build up around you.
- Handle the device carefully, holding it by its edges or its frame.
- Do not touch solder joints, pins, or exposed printed circuitry.
- Do not leave the device where others can handle and damage it.
- While the device is still in its static-protective package, touch it to any *unpainted* metal surface of the BladeCenter chassis or any *unpainted* metal surface on any other grounded rack component for at least 2 seconds. (This drains static electricity from the package and from your body.)
- Remove the device from its package and install it directly into your BladeCenter unit without setting it down. If it is necessary to set down the device, put it back into its static-protective package. Do not place the device on your BladeCenter chassis or on a metal surface.
- Take additional care when handling devices during cold weather. Heating reduces indoor humidity and increases static electricity.

Installing a switch module

Statement 8:



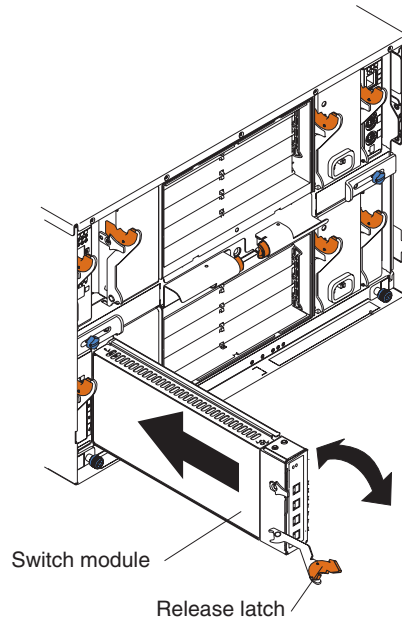
CAUTION:

Never remove the cover on a power supply or any part that has the following label attached.



Hazardous voltage, current, and energy levels are present inside any component that has this label attached. There are no serviceable parts inside these components. If you suspect a problem with one of these parts, contact a service technician.

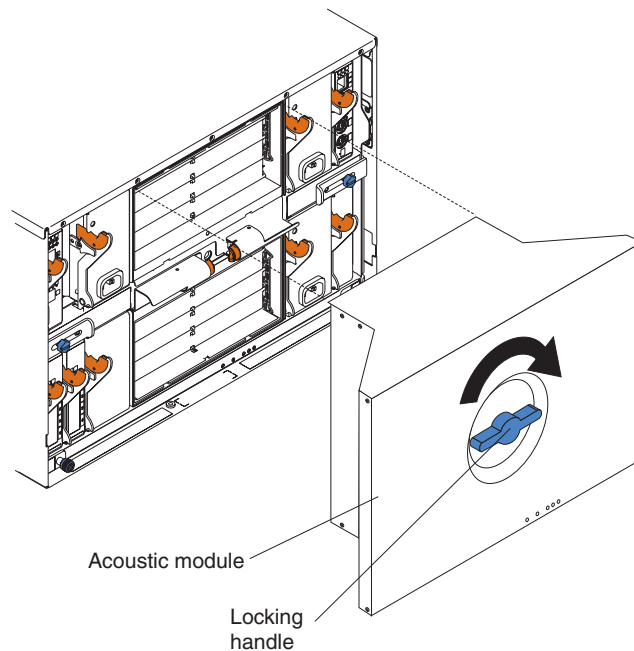
The following illustration shows how to install a switch module in the rear of the BladeCenter unit.



Complete the following steps to install a switch module:

1. Read the safety information beginning on page v and “Installation guidelines” on page 12.

2. Remove the acoustic attenuation module, if one is installed, from the rear of the BladeCenter unit.



3. Select an I/O-module bay in which to install the GbE switch module.

Note: For details about I/O-module bay requirements, see the BladeCenter books that are listed on page 11.

4. Remove the filler module from the selected bay. Store the filler module for future use.
5. If you have not already done so, touch the static-protective package that contains the switch module to any *unpainted* metal surface of the BladeCenter chassis or any *unpainted* metal surface on any other grounded rack component for at least 2 seconds.
6. Remove the switch module from its static-protective package.
7. Ensure that the release latch on the switch module is in the open position (perpendicular to the module).
8. Slide the switch module into the applicable I/O-module bay until it stops.
9. Push the release latch on the front of the switch module to the closed position. After you insert and lock the switch module, it is turned on, and a power-on self-test (POST) occurs to verify that the switch module is operating correctly.
10. The POST results are displayed by the status LEDs. Make sure that the LEDs on the switch module indicate that it is operating correctly. Make sure that the OK LED on each switch module is lit. See Chapter 3, "Information panel LEDs and external ports," on page 19 for a more detailed description of the operation of these LEDs.

For additional information, see the *Hardware Maintenance Manual and Troubleshooting Guide* on the IBM *BladeCenter Documentation CD*.

11. If you have other switch modules to install, do so now; otherwise, go to step 12.
12. Attach any cables or cords required by the switch module. For the location of the connectors on the BladeCenter unit, see the *BladeCenter Type 8677 Installation and User's Guide* on the IBM *BladeCenter Documentation CD*. For cable requirements, see page 4.

13. Replace the acoustic attenuation module, if you removed it in step 2 on page 16.

Removing a switch module

Attention: To maintain proper cooling and system reliability, each I/O-module bay on the rear of the BladeCenter unit must have either a module or filler module installed. If you remove a hot-swap module, you must replace it with another module or filler module within 1 minute of removal.

Statement 8:



CAUTION:

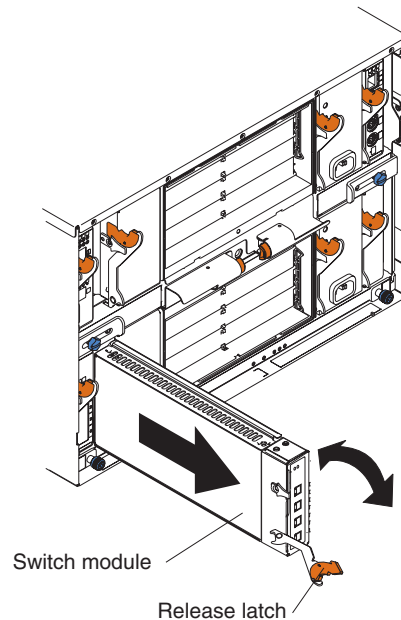
Never remove the cover on a power supply or any part that has the following label attached.



Hazardous voltage, current, and energy levels are present inside any component that has this label attached. There are no serviceable parts inside these components. If you suspect a problem with one of these parts, contact a service technician.

Complete the following steps to remove a switch module:

1. Read the safety information beginning on page v and “Installation guidelines” on page 12.
2. Remove the acoustic attenuation module, if one is installed, from the rear of the BladeCenter unit (see step 2 on page 16 for location).
3. Disconnect any cables from the switch module that you are removing.
4. Pull the release latch toward the bottom of the switch module as shown in the following illustration. The module moves out of the bay approximately 0.64 cm (0.25 inch).



5. Slide the switch module out of the bay and set it aside.
6. Place either another switch module or a filler module in the bay within 1 minute.
7. If you placed another switch module in the bay, reconnect any cables that you disconnected in step 3.
8. Replace the acoustic attenuation module option, if you removed it in step 2.

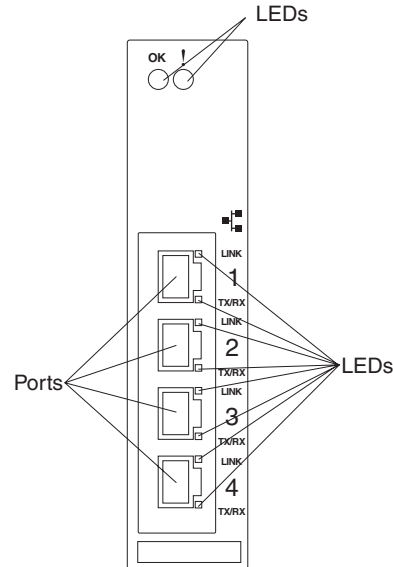
Chapter 3. Information panel LEDs and external ports

This chapter describes the information panel and LEDs on the GbE switch module. This chapter also identifies the external ports on the information panel.

Information panel

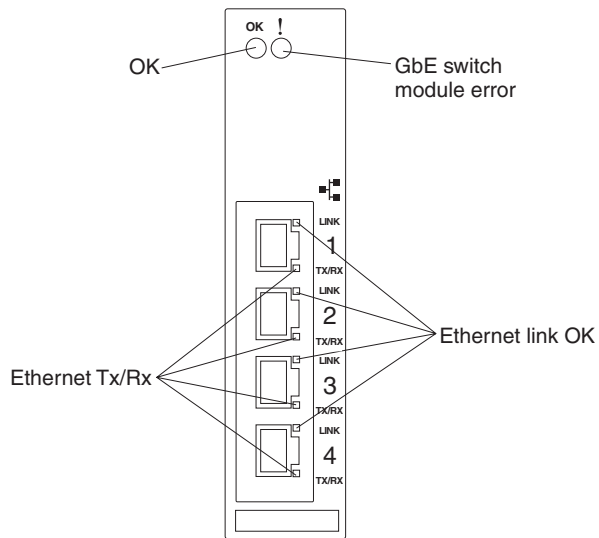
As shown in the following illustration, the information panel of the GbE switch module contains:

- Comprehensive LEDs, which display the status of the GbE switch module and the network (see “LEDs”).
- Four external 1000BASE-T Ethernet ports for 10/100/1000 Mbps connections to external Ethernet devices, such as backbones, end stations, and servers. These ports are respectively identified as EXT1, EXT2, EXT3, and EXT4 in the switch configuration menus and are labeled 1 through 4 (from top to bottom) on the GbE switch module.



LEDs

The LEDs on the information panel of the GbE switch module are OK and GbE switch module error (fault). In addition, each external port on the GbE switch module contains an Ethernet link OK LED and an Ethernet Tx/Rx LED. The following illustration shows the LEDs on the GbE switch module. A description of each LED follows the illustration.



Notes:

1. The illustrations in this document might differ slightly from your hardware.
2. An amber LED is lit when a system error or event has occurred. To identify the error or event, check the LEDs on the information panel of the GbE switch module. For additional information, see Chapter 7, “Solving problems,” on page 47 and the *Hardware Maintenance Manual and Troubleshooting Guide* on the IBM *BladeCenter Documentation CD*.

OK: This green LED is on the left side of the information panel, above the four external 10/100/1000 Mbps ports. When this LED is lit, it indicates that the GbE switch module has passed the power-on self-test (POST) with no critical faults and is operational.

GbE switch module error (fault): This amber LED is on the right side of the information panel, above the four external 10/100/1000 Mbps ports. When this LED is lit, it indicates that the GbE switch module has a fault. If the GbE switch module fails the POST or detects an operational fault, this LED will be lit.

Note: When this LED is lit, the system-error LED on the BladeCenter unit will also be lit.

Ethernet link OK: This green link status LED is at the top of each external 10/100/1000 Mbps port. When this LED is lit on a port, it indicates that there is a connection (or link) to a device on that connector.

Ethernet Tx/Rx: This green activity LED is at the bottom of each external 10/100/1000 Mbps port. When this LED blinks on a port, it indicates that data is being transmitted or received (that is, activity is occurring) between that port and another device on the network link. The blink frequency is proportional to the amount of traffic on the network link.

Chapter 4. Configuring the GbE switch module

The GbE switch module supports two remote-access modes for management through Ethernet connections. The GbE switch module has an internal Ethernet path to the management module and the four external Ethernet ports on the GbE switch module. You can select the mode that is best suited for your BladeCenter environment.

- The default mode uses the internal path to the management module only. In this mode, the remote-access link to the management console must be attached to the 10/100 Mbps Ethernet connector on the management module. The IP addresses and SNMP parameters of the GbE switch modules can be automatically assigned by the IBM Director BladeCenter Deployment wizard (when available) or you must manually assign them through the BladeCenter Management and Configuration Program. This mode enables the system administrator to provide a secure LAN for management of the BladeCenter subsystems separately from the data network. See “Establishing a TCP/IP session for the GbE switch through the management module” on page 24 for additional information.

Important: In this mode, the GbE switch module does not respond to remote-management commands through the four external Ethernet ports on the GbE switch module.

See the applicable *BladeCenter Installation and User's Guide* on the IBM *BladeCenter Documentation* CD for additional instructions for configuring the GbE switch module for this mode of operation.

- The system administrator can choose to enable remote management of the GbE switch module through the four external ports on the GbE switch module, instead of or in addition to access through the management module. This mode can be enabled only through the management module configuration interface. When this mode is enabled, the external Ethernet ports will support both management traffic and BladeCenter application data traffic. See “Enabling the external ports” on page 26 for additional information.

This mode enables the GbE switch module IP addresses to be on a different IP subnet than the management modules. This is useful when the GbE switch modules are to be managed and controlled as part of the overall network infrastructure, while secure management of other BladeCenter subsystems is maintained through the management module. However, management-module access to the Gigabit switch-module link will be lost if the GbE switch module IP address is not on the same IP subnet as the management module. See “Establishing a TCP/IP session for the switch through the external switch-module connectors” on page 29 for additional information. The *Alteon OS 20.1 Application Guide* on the IBM *BladeCenter Documentation* CD contains additional instructions for configuring the GbE switch module for this mode of operation.

Important:

1. Before you configure your GbE switch module, be sure that the management modules in your BladeCenter unit are properly configured. See the applicable *BladeCenter Installation and User's Guide* publications on the IBM *BladeCenter Documentation* CD for more information.
2. The default IP address of the GbE switch module is 192.168.70.127, 192.168.70.128, 192.168.70.129, or 192.168.70.130, depending on the switch module bay where it is installed.

3. If you change the IP address of the GbE switch module and restart the BladeCenter unit, the GbE switch module will maintain this new IP address as its default value.
4. The management module and the GbE switch module can communicate with each other only if they are on the same IP subnet.
5. When you use the management module Web interface to update the GbE switch module configuration, the management module firmware saves the new configuration in its internal non-volatile random-access memory (NVRAM). If the switch module restarts, the management module applies the saved configuration to the switch module.

If, for some reason, the switch module restarts and the management module cannot apply the saved configuration to the switch module, the switch module defaults to using the configuration that it had previously saved. If the subnet IP address of the switch module does not match the subnet IP address of the management module, you might not be able to manage the switch module any more.

6. For switch communication with a remote management station, such as the IBM Director server, through the management module external Ethernet port, the switch module internal network interface and the management module internal and external interfaces must be on the same IP subnet.

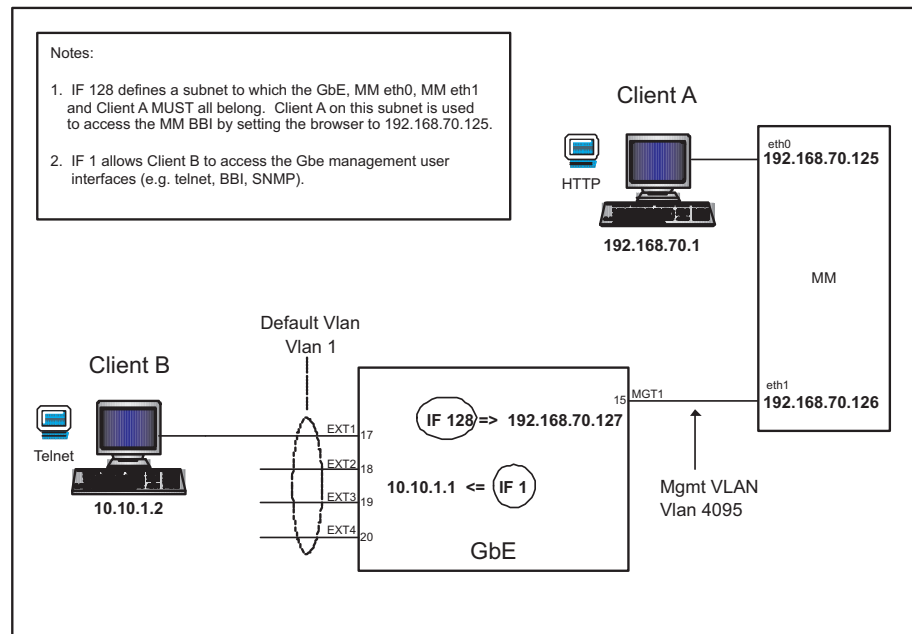
See the following publications on the IBM *BladeCenter Documentation* CD for specific details about configuring the GbE switch module:

- The applicable *BladeCenter Installation and User's Guide* publications
- *Alteon OS 20.x Application Guide*
- *Alteon OS 20.x Browser-Based Interface Quick Guide*
- *Alteon OS 20.x Command Reference*

In addition to reviewing the publications in this library, be sure to review the following publications for information to help you prepare for system installation and configuration:

- *BladeCenter Management Module User's Guide* on the IBM BladeCenter Documentation CD
- *BladeCenter Management Module Installation Guide* on the IBM BladeCenter Documentation CD
- *IBM BladeCenter Planning and Installation Guide* at <http://www.ibm.com/pc/eserver/bladecenter>

You can manage and configure the GbE switch using the management module or an external GbE switch interface. When the GbE switch module is set to use the factory default configuration, it can only be accessed through the management module VLAN. The following figure is used as an example of establishing a TCP/IP session through the management module or through the external interface.



“Client A ” manages the GbE switch module through the default management module configuration interface. The management module is always enabled and always a member of VLAN 4095 and interface 128. VLAN 4095 and interface 128 can never be disabled. You can always manage the GbE switch module over this interface, provided that the IP addresses of the client, the management module, and the GbE switch module are on the same subnet, as shown in the following table.

Network entity	IP address
Client A	192.168.70.1
Management module	192.168.70.125
GbE switch module	192.168.70.127

Establishing a TCP/IP session for the GbE switch through the management module

Complete the following steps to establish a TCP/IP session for the switch through the management module:

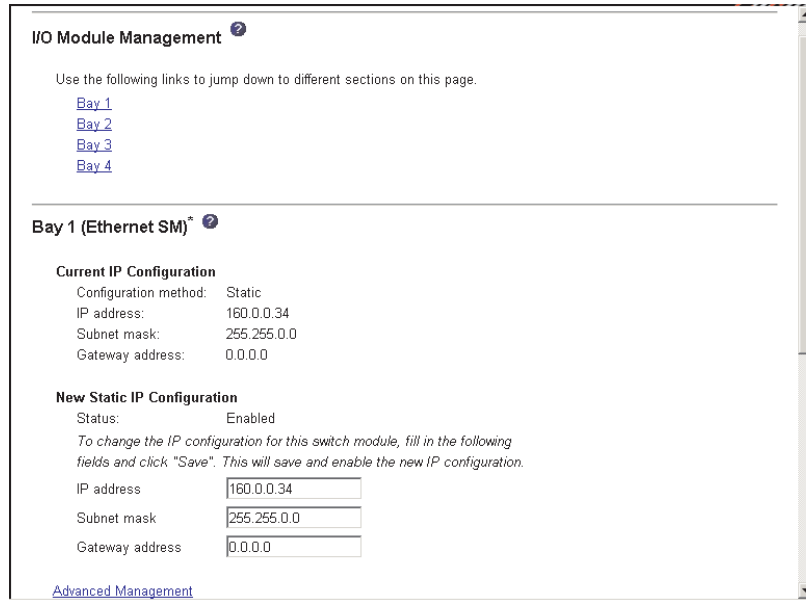
1. Access and log on to the management module as described in the *BladeCenter Management Module User's Guide* on the IBM *BladeCenter Documentation* CD. If necessary, obtain the IP address of the management module from your system administrator. The login window opens.

If you do not have an assigned user identifier (ID) and initial password, type the default user ID (USERID) in the **User ID** field and the default password (PASSWORD) in the **Password** field (where the sixth alphanumeric character is the number zero, not the letter O) and click **OK**. The main page in the management module opens.

Note: Capital letters are required; these fields are both case-sensitive. To increase system security, change the password after you log on for the first time.

2. Select **Management** on the **I/O Module Tasks** menu on the left side of the BladeCenter Management Module window.

- From the **I/O Module Management** portion of the window, click the bay number that corresponds to the location of the GbE switch module that you installed. The applicable bay number (in this example, bay 1) appears in the bottom portion of the window, followed by other related switch-module information, including the IP address. The switch-module information is divided under two headings: **Current IP Configuration** and **New Static IP Configuration**.



- To change the IP address of the GbE switch module, use the Tab key to reach the **IP address** data field under the **New Static IP Configuration** heading; then, type the new IP address and click **Save**.
- Click **Advanced Management** under the applicable bay information (in this example, bay 1) in the BladeCenter Management Module window. You can now start a browser-based interface session, a Telnet session, or a Secure Shell (SSH) session.

Note: The default setting for the SSH session is disabled. To enable this setting, you must use the CLI.

The browser-based interface and the Telnet program are different ways to access the same internal switching software and configure it. Thus, all the settings that you encounter in browser-based management are the same as those found in the Telnet program.

- If your system application requires that you use the browser-based interface program, see "Configuring through the browser-based interface" on page 33 for additional information.
- If your system application requires that you use the Telnet program, see "Configuring through the Telnet interface" on page 35 for additional information.
- For information about running an SSH session, see the *Alteon OS 20.x Command Reference* on the IBM *BladeCenter Documentation CD*.

Enabling the external ports

To access and manage your GbE switch module from an external environment, you must enable certain features, such as the external ports (ports) and external management over all ports, through the management module. After you enable these features, you can establish a TCP/IP session for the switch through the external GbE switch module connection as described in “Establishing a TCP/IP session for the switch through the external switch-module connectors” on page 29.

Complete the following steps to configure the external Ethernet interface and to enable the external ports:

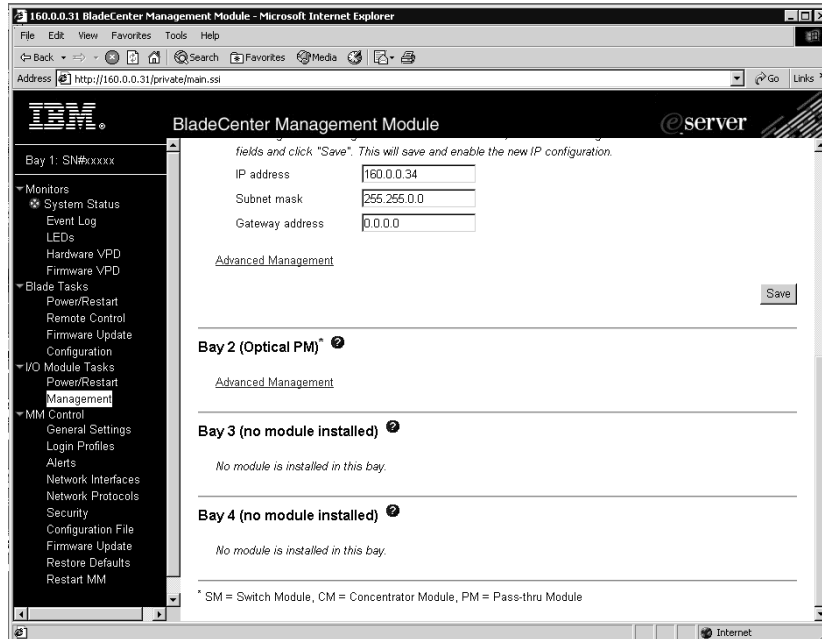
1. Access and log on to the management module as described in the *BladeCenter Management Module User's Guide* on the IBM *BladeCenter Documentation* CD. If necessary, obtain the IP address of the management module from your system administrator. The login window opens.

Enter your user ID and password.

If you do not have an assigned user ID and initial password, type the default user ID (USERID) in the **User ID** field and the default password (PASSWORD) in the **Password** field (where the sixth alphanumeric character is the number zero, not the letter O) and click **OK**. The main page in the management module opens.

Note: Capital letters are required; these fields are both case-sensitive. To increase system security, change the password after you log on for the first time.

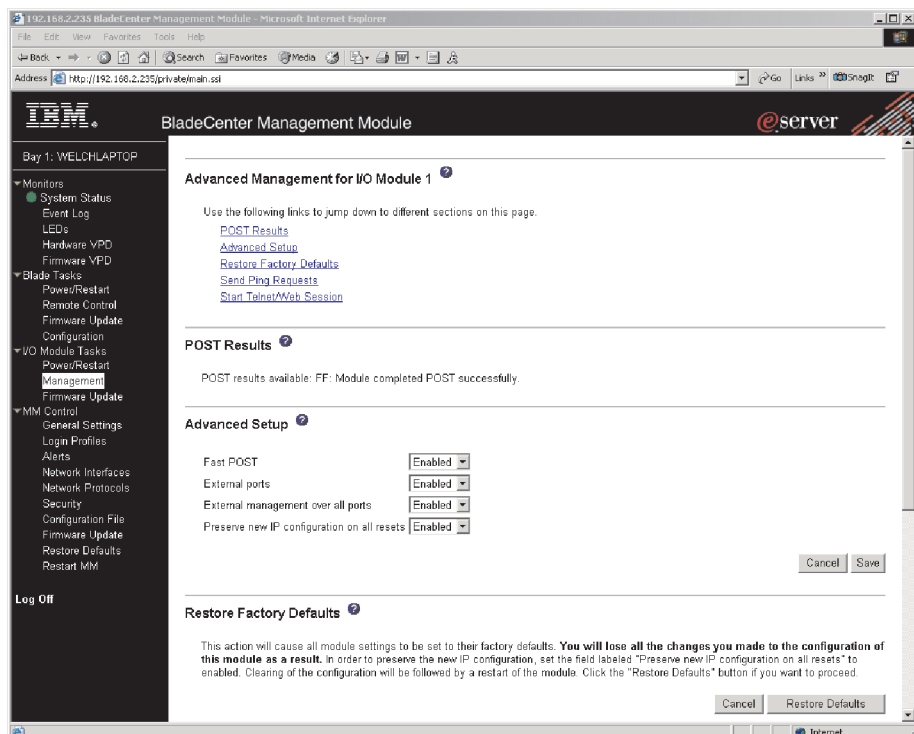
2. Select **Management** on the **I/O Module Tasks** menu on the left side of the BladeCenter Management Module window.



3. Make sure that the following GbE switch-module features are enabled (**I/O Module Tasks** → **Management** → **Advanced Management** in the management module browser-based user interface):

- a. External ports
- b. External management over all ports

The default value is **Disabled** for both features. If these features are not already enabled, change the value to **Enabled**. Then, click **Save**.



Note: See the applicable *BladeCenter Installation and User's Guide* publications on the IBM *BladeCenter Documentation* CD for additional information about enabling external management over all ports.

4. Click **Advanced Management** under the applicable bay information in the BladeCenter Management Module window.

You can now start a browser-based interface session, a Telnet session, or a Secure Shell (SSH) session. Otherwise, continue with “Establishing a TCP/IP session for the switch through the external switch-module connectors” on page 29.

Establishing a TCP/IP session for the switch through the external switch-module connectors

To establish a TCP/IP session for the switch through the external GbE switch-module connectors, you must provide a connection to the Ethernet network through the GbE switch module. To do this, you must first enable the external interfaces as described in “Enabling the external ports” on page 26, and then set up the TCP/IP address for the GbE switch module.

Complete the following steps:

1. Access and log on to the management module as described in the *BladeCenter Management Module User's Guide* on the IBM *BladeCenter Documentation* CD. If necessary, obtain the IP address of the management module from your system administrator. The login window opens.

If you do not have an assigned user ID and initial password, type the default user ID (USERID) in the **User ID** field and the default password (PASSWORD) in the **Password** field (where the sixth alphanumeric character is the number zero, not the letter O) and click **OK**. The main page in the management module opens.

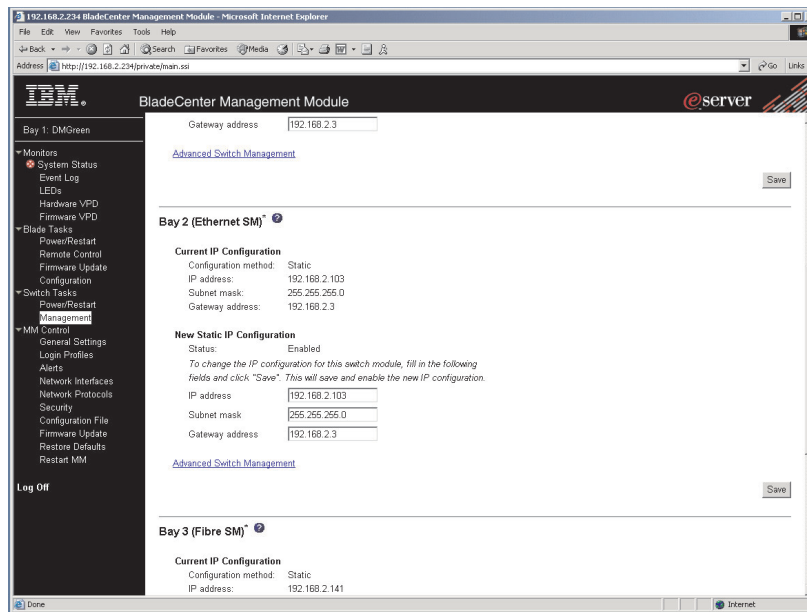
Note: Capital letters are required; these fields are both case-sensitive. To increase system security, change the password after you log on for the first time.

2. Select **Management** on the **I/O Module Tasks** menu on the left side of the BladeCenter Management Module window.
3. From the **I/O Module Management** portion of the window, click the bay number that corresponds to the location of the GbE switch module that you installed. The applicable bay number appears in the bottom portion of the window, followed by other related switch-module information, including the IP address. The switch-module information is divided under two headings: **Current IP Configuration** and **New Static IP Configuration**.
4. To change the IP address of the GbE switch module, use the Tab key to reach the **IP address** data field under the **New Static IP Configuration** heading; then, type the new IP address and click **Save**.

You can set up the TCP/IP address for the GbE switch module in one of two ways:

- Use the default TCP/IP address.
- Obtain a valid, unique TCP/IP address from your system administrator.

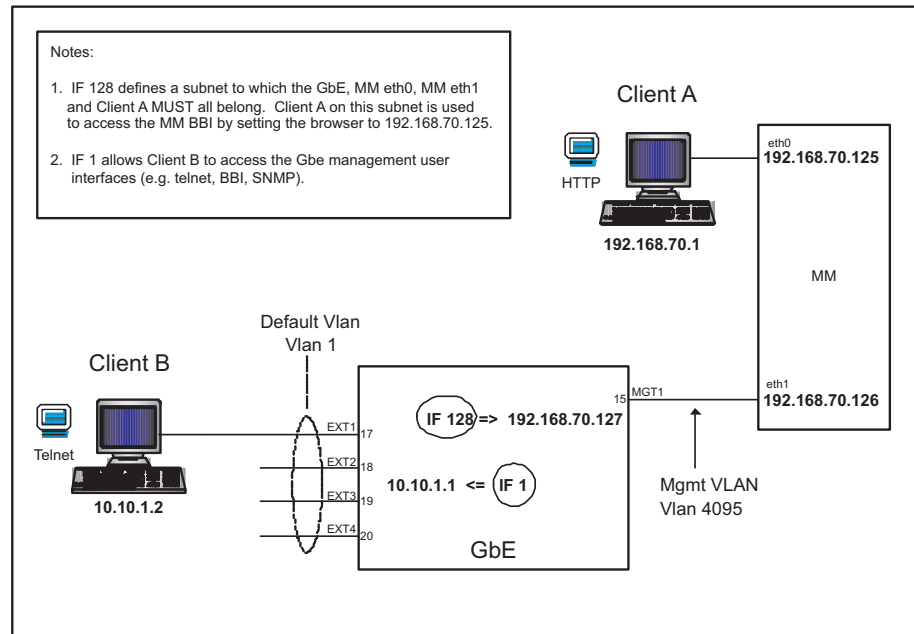
If you obtain a valid, unique TCP/IP address from your system administrator, you can set up the new TCP/IP address for the GbE switch module from the management module, as shown in the following window:



Type the new TCP/IP address of the GbE switch module in the **IP address** data field under the **New Static IP Configuration** heading; then, click **Save**. You are now ready to set up the GbE switch.

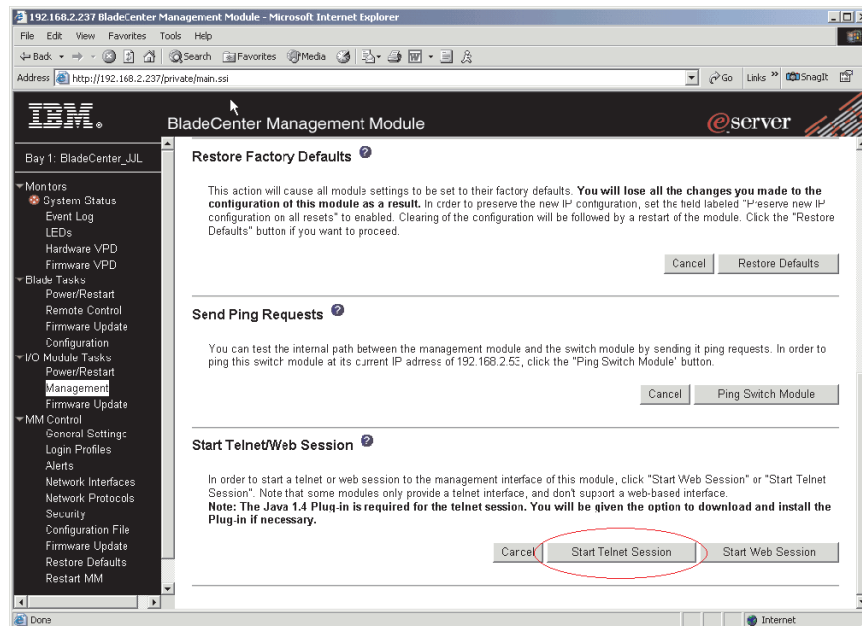
Externally managing the GbE switch module

The following procedure describes how to configure the GbE switch module to enable management through the external ports (EXT1 to EXT4). See the following illustration for an example topology for enabling external management of the GbE switch module.



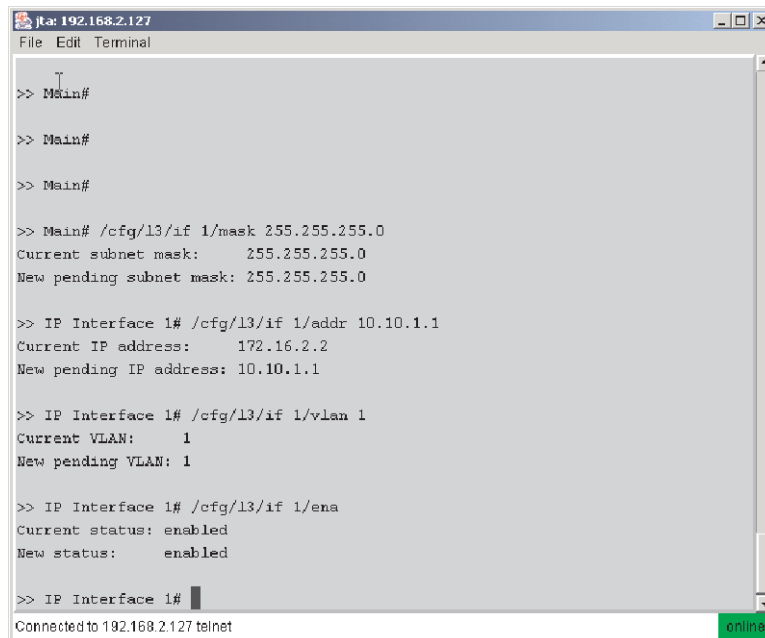
In this illustration, “Client B” manages the GbE switch using the external interface.

Start a Telnet session with the GbE switch module. Click **Start Telnet Session**, as shown in the following illustration. For additional information, see “Configuring through the Telnet interface” on page 35.



After the Telnet session is established, you will use the CLI of the GbE switch module to enter commands. To externally manage the GbE switch module, you will

establish a layer 3 IP address and subnet mask to communicate with your management client (“Client B” in the previous illustration). You will also define a layer 2 VLAN and an interface over which the client can communicate with the GbE switch module. You can choose the VLAN and interface for your external management client, or use the default values. There is a maximum of 128 available interfaces for VLANs. You can assign the management IP address to the VLAN ID from 1 to 4094 to any of these interfaces.



```

Tel 192.168.2.127
File Edit Terminal
Main#
>> Main#
>> Main#
>> Main#
>> Main# /cfg/l3/if 1/mask 255.255.255.0
Current subnet mask: 255.255.255.0
New pending subnet mask: 255.255.255.0
>> IP Interface 1# /cfg/l3/if 1/addr 10.10.1.1
Current IP address: 172.16.2.2
New pending IP address: 10.10.1.1
>> IP Interface 1# /cfg/l3/if 1/vlan 1
Current VLAN: 1
New pending VLAN: 1
>> IP Interface 1# /cfg/l3/if 1/ena
Current status: enabled
New status: enabled
>> IP Interface 1#
Connected to 192.168.2.127 telnet online
```

The following example shows how to create this configuration using the CLI:

```

/cfg/l3/if 1/mask 255.255.255.0

/cfg/l3/if 1/addr 10.10.1.1

/cfg/l3/if 1/vlan 1

/cfg/l3/if 1/ena

apply

save
```

“Client B” now has access to manage the GbE switch module.

See the following publications on the IBM *BladeCenter Documentation* CD for specific details about configuring the GbE switch module:

- *Alteon OS 20.x Application Guide*
- *Alteon OS 20.x Browser-Based Interface Quick Guide*
- *Alteon OS 20.x Command Reference*

For additional information about the management module, see the *BladeCenter Management Module User's Guide* on the IBM *BladeCenter Documentation* CD. For

additional information about establishing a remote external Ethernet connection, see the *BladeCenter Management Module Installation Guide* on the IBM *BladeCenter Documentation CD*.

The browser-based interface and the Telnet program are different ways to access the same internal switching software and configure it. Thus, all the settings that you encounter in browser-based management are the same as those found in the Telnet program.

- If your system application requires that you use the browser-based interface program, see “Configuring through the browser-based interface” for additional information.
- If your system application requires that you use the Telnet program, see “Configuring through the Telnet interface” on page 35 for additional information.
- For information about running an SSH session, see the *Alteon OS 20.x Command Reference* on the IBM *BladeCenter Documentation CD* or at <http://www.ibm.com/pc/support/>.

Configuring through the browser-based interface

This section describes how to use the browser-based interface to access and configure the internal switching software.

This section also describes some of the browser-based GbE switch module management features. For more detailed information about configuring your GbE switch module, see the *Alteon OS 20.x Application Guide* and the *Alteon OS 20.x Browser-Based Interface Quick Guide* on the IBM *BladeCenter Documentation CD* or at <http://www.ibm.com/pc/support/>.

The GbE switch module offers an embedded HTML, browser-based interface that you can use to manage the switch through a standard browser, such as Opera, Netscape Navigator/Communicator, or Microsoft® Internet Explorer. The Web browser acts as an access tool and can communicate directly with the switch using HTTP. Your browser window might vary from the window illustrations in this book.

Note: This browser-based interface does not accept Chinese language input (or other double-byte character-set languages).

The browser-based interface contains these features:

- Since the browser-based interface is a built-in component of the Alteon OS switch software, you do not have to install a separate interface program.
- Two levels of password protection.
- User-friendly design.
- The same configuration and monitoring functions as in the command-line interface (CLI).
- Upgradeable upon the availability of future Alteon OS switch software updates.

Before you can access and start the browser-based interface, you must have:

- Installed the GbE switch module in the BladeCenter unit
- Verified that the Alteon OS switch software is installed on the GbE switch module
- Configured at least one IP interface on the switch module
- A computer or workstation with network access to the switch module
- A frame-capable Web-browser program, such as Internet Explorer (version 6.0x or later) or Netscape Navigator (version 4.7x or later)

- Enabled the frames and the JavaScript™ program in your Web browser
- Enabled access to the browser-based interface

To enable access to the browser-based interface, use this command from the CLI:
>> Main# **/cfg/sys/http <enable** (or just **e**)>

See the *Alteon OS 20.x Command Reference* on the IBM *BladeCenter Documentation* CD for details about:

- Configuring IP interfaces through the CLI
- Accessing and configuring the switch module through the CLI

To verify that the latest Alteon OS switch software is installed on the GbE switch module or to update the software, see Chapter 6, “Updating the GbE switch software,” on page 41.

To start the browser-based interface, enter the IP address of the switch module in the address field of your browser, in the format `http://xxx.xxx.xxx.xxx`.

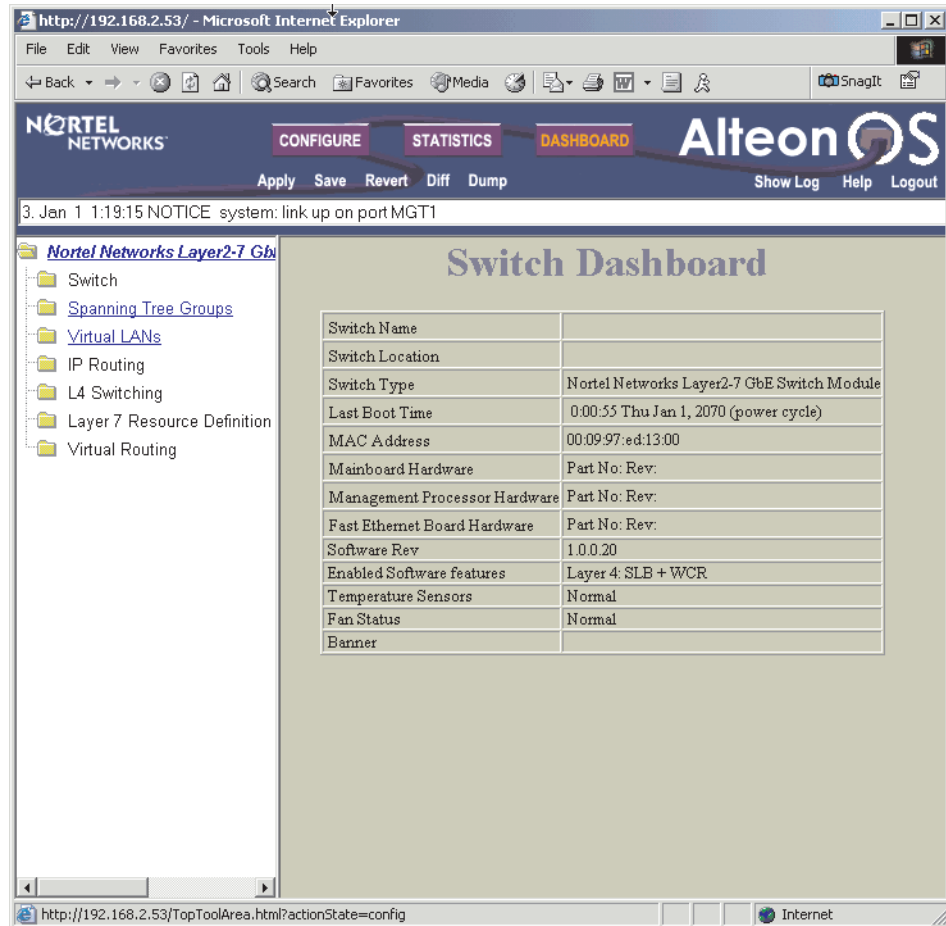
The login window opens.

If you do not have an assigned user ID and initial password, type the default user ID (admin) in the **User Name** field and the default password (admin) in the **Password** field and click **OK**.

Notes:

1. The passwords used to access the GbE switch module are case-sensitive.
2. To increase system security, change the password after you log on for the first time.

A window similar to the one in the following illustration opens. The left-side panel contains the main menu. The top panel shows a real-time information-panel display of the GbE switch module. These items are described in detail in the *Alteon OS 20.x Application Guide* on the IBM *BladeCenter Documentation* CD.



Configuring through the Telnet interface

Your GbE switch module supports a management interface that you can use to set up and control the GbE switch module over the network using the Telnet protocol. You can use this facility to perform many basic network management functions. In addition, you can use the Telnet interface to configure the GbE switch module for management using an SNMP-based network management system. The following sections describe how to use the Telnet interface to access the GbE switch module, change its settings, and monitor its operation.

Connecting to the GbE switch module

When you know the IP address for your switch module and provided that you have an existing network connection, you can use the Telnet program (in VT-100 compatible terminal mode) to access and control the GbE switch module. The Telnet program and your switch module must be on the same network. If you need to obtain the IP address for your switch module or establish a network connection, contact your system or network administrator. Be sure to use the correct IP address in the required command, as specified in “Accessing the main menu” on page 36.

Telnet usage conventions

The Telnet interface uses the following conventions:

- Items in angle brackets (< >) can be toggled among several choices through the spacebar.

- Items in square brackets ([]) can be changed by typing a new value. You can use the Backspace and Delete keys to erase characters behind and in front of the cursor.
- The Up Arrow and Down Arrow keys, the Left Arrow and Right Arrow keys, the Tab key, and the Backspace key can be used to move between selected items.
- Items in uppercase are commands. Moving the selection to a command and pressing Enter will process that command.

Important: The command APPLY makes changes to the switch configuration for the current session only. If you want your changes to be permanent, select **Save Changes** from the main menu. Selecting **Save Changes** enters the current switch configuration, including all changes, into NVRAM and then restarts the GbE switch module.

Accessing the main menu

Complete the following steps to connect to the GbE switch module through the Telnet interface:

1. From a DOS prompt command line, type telnet x and press Enter (where x is the IP address for your switch module).
2. If you do not have an assigned initial password, type the default password (admin) in the **Password** field and press **Enter**.
3. Press Enter, and you will be given access to the main menu, shown in the following illustration.

```

C:\WINNT\System32\cmd.exe - telnet 192.168.2.103
FW_UIEW: wtnelson_elmo
FW_CONTEXT: ALT-HW_ELMO-1 / pass2
<FLASH image0>, unknown configuration.

The switch is booted with factory default configuration.
To ease the configuration of the switch, a "Set Up" facility which
will prompt you with those configuration items that are essential
to the operation of the switch is provided.
Would you like to run "Set Up" to configure the switch? [y/n] n

[Main Menu]
info      - Information Menu
stats     - Statistics Menu
cfg       - Configuration Menu
oper      - Operations Command Menu
boot      - Boot Options Menu
maint     - Maintenance Menu
diff      - Show pending config changes [global command]
apply     - Apply pending config changes [global command]
save      - Save updated config to FLASH [global command]
revert    - Revert pending or applied changes [global command]
exit      - Exit [global command, always available]

>> Main#

```

Note: The first user automatically gets root privileges. Create at least one root-level user for the GbE switch module when you set up your user accounts. See the *Alteon OS 20.x Application Guide* on the *IBM BladeCenter Documentation CD* for complete details.

Logging on to the GbE switch module

To log in after you have created a registered user, complete the following steps from the login window (see “First-time connection to the GbE switch module” on page 37 for additional information):

1. Type your user ID and press Enter.
2. Type your password and press Enter. The main menu window opens based on your access level or privilege.

After you log on to the GbE switch module, you can perform the tasks that are described in the *Alteon OS 20.x Application Guide* and other books on the IBM *BladeCenter Documentation CD*.

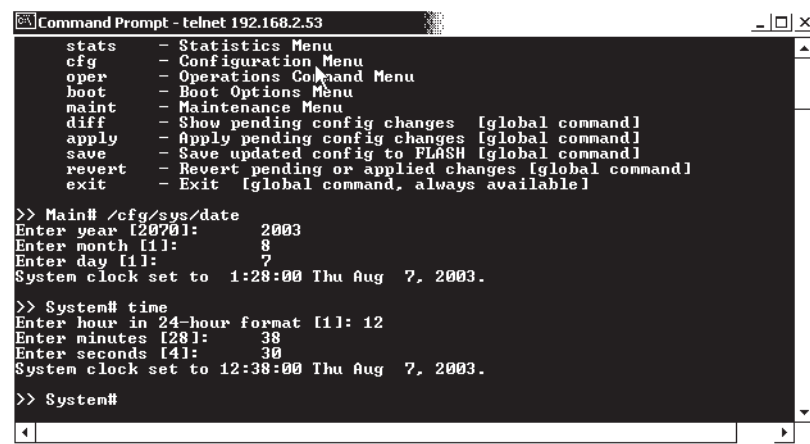
First-time connection to the GbE switch module

The GbE switch module supports user-based security that enables you to prevent unauthorized users from accessing the GbE switch module or changing its settings. This section describes how to log on to the GbE switch module.

The first time that you turn on the GbE switch module, you must set the date and time, either through the browser-based interface or the Telnet interface. Because the GbE switch module does not contain a battery-backed real-time clock, you also must manually reset the date and time whenever any of the following conditions exists:

- The GbE switch module is turned off and then back on
- The GbE switch module is restarted
- The GbE switch module software is updated

The following illustration shows how to set the date and time through the Telnet interface.



```
Command Prompt - telnet 192.168.2.53
stats - Statistics Menu
cfg - Configuration Menu
oper - Operations Command Menu
boot - Boot Options Menu
maint - Maintenance Menu
diff - Show pending config changes [global command]
apply - Apply pending config changes [global command]
save - Save updated config to FLASH [global command]
revert - Revert pending or applied changes [global command]
exit - Exit [global command, always available]

>> Main# /cfg/sys/date
Enter year [2003]: 2003
Enter month [1]: 8
Enter day [1]: 7
System clock set to 1:28:00 Thu Aug 7, 2003.

>> System# time
Enter hour in 24-hour format [1]: 12
Enter minutes [30]: 30
Enter seconds [4]: 30
System clock set to 12:30:00 Thu Aug 7, 2003.

>> System#
```

Chapter 5. Management module software level

To ensure proper operation within the BladeCenter unit, the management module software must be at version 1.03 or later. This is noted in the management module firmware VPD as BRET46B or later. See the *BladeCenter Management Module User's Guide* on the IBM *BladeCenter Documentation* CD for additional information.

Chapter 6. Updating the GbE switch software

This chapter describes how to determine the level of the software that is installed on the GbE switch module, how to obtain the latest level of switch software, how to upgrade the switch software, and how to reset the switch module to activate the software upgrade.

Determining the level of GbE switch software

After you install the GbE switch module in your BladeCenter unit, make sure that the latest Alteon OS switch software is installed on the GbE switch module. To determine the level of the Alteon OS switch software that is installed on the GbE switch module, complete the following steps:

1. Access and log on to the management module as described in the *BladeCenter Management Module User's Guide* on the IBM *BladeCenter Documentation CD*. If necessary, obtain the IP address of the management module from your system administrator. The login window opens.

If you do not have an assigned user identifier (ID) and initial password, type the default user ID (USERID) in the **User ID** field and the default password (PASSWORD) in the **Password** field (where the sixth alphanumeric character is the number zero, not the letter O) and click **OK**. The main page in the management module opens.

Note: Capital letters are required; these fields are both case-sensitive. To increase system security, change the password after you log on for the first time.

2. Select **Firmware VPD** on the **Monitors** menu on the left side of the BladeCenter Management Module window. The Firmware VPD window opens.
3. On the Firmware VPD window, locate the **I/O Module Firmware VPD** heading between the **Blade Server Firmware VPD** and **Management Module Firmware VPD** headings. Page down to the number of the I/O module bay that contains the GbE switch module that you just installed; then, note the corresponding level of the software for the switch module.

The screenshot shows the BladeCenter Management Module web interface. The left sidebar contains a navigation menu with 'Monitors' expanded to 'Firmware VPD'. The main content area displays the 'I/O Module Firmware VPD' table, which is circled in red. The table has columns for Bay, Type, Firmware Type, Build ID, Released, and Revision. The data is as follows:

Bay	Type	Firmware Type	Build ID	Released	Revision
1	Ethernet SM	Boot ROM	BRESMB4G	02/21/2003	05
		Main Application 1	BRESMR4G	11/30/2002	56
2	Ethernet SM	Boot ROM	WM00001	07/31/2003	0100
		Main Application 1	WM00020	08/01/2003	0100
		Main Application 2	WM00016	07/19/2003	0100

Below this table is the 'Management Module Firmware VPD' table:

Bay	Name	Firmware Type	Build ID	File Name	Released	Revision
1	BladeCenter_JUL	Main application	BRET52A	CNETMINUS.PKT	07-26-03	16
		Boot ROM	BRBR52A	CNETBRUS.PKT	07-26-03	16
		Remote control	BRRC52A	CNETRCUS.PKT	07-26-03	16
		PS/2 to USB conv.	BREZ14	DUALPS2.PKT	12-03-02	1
		MM to USB inf.	BRP15	REMOTEKM.PKT	06-10-03	1
2		Management Module 2 is not installed.				

Obtaining the latest level of switch software

To determine the latest level of the Alteon OS switch software that is available from IBM, complete the following steps:

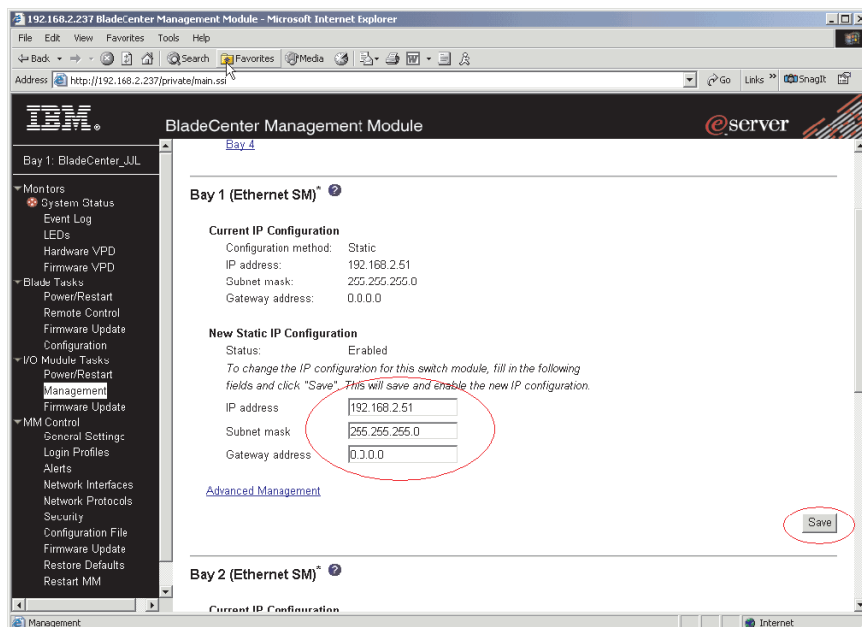
1. Go to <http://www.ibm.com/pc/support/>; then, click **Support & downloads**.
2. Type the switch model number. A window opens, displaying the latest level of available software.
3. Compare the level of software that you noted in the **I/O Module Firmware VPD** section of the Firmware VPD window to the latest level of available software. If the two software levels do not match, download the latest level from the World Wide Web to your switch module.

The GbE switch module contains two software operating-system images. Therefore, you can always return to a previous image if the current download process fails.

Upgrading the switch software

The switch software is upgraded through a TFTP server application. Typically, this software runs as an application under your operating system. Make sure that this software is installed on your server; then, download the software images from the IBM Web site into a directory on your TFTP server. Enable the TFTP server and set its default directory to the one where the image is.

To transfer the software image files from the TFTP server to the switch, you must establish a Telnet session through the management module. The Telnet session will work correctly only if all three network entities (TFTP server, management module, and switch IP addresses) are on the same subnet. Use the management module graphical user interface (GUI) to configure the IP addresses of the management module external interface (eth0) and the GbE switch module so that they both are on the same subnet as the TFTP server.



In this illustration, the IP addresses and masks in the following table are used.

Network entity	IP address	Mask
TFTP server	192.168.2.178	255.255.255.0
Management module (eth0)	192.168.2.237	255.255.255.0
GbE switch current IP configuration	192.168.2.51	255.255.255.0

Note: With this configuration, you can ping the GbE switch module.

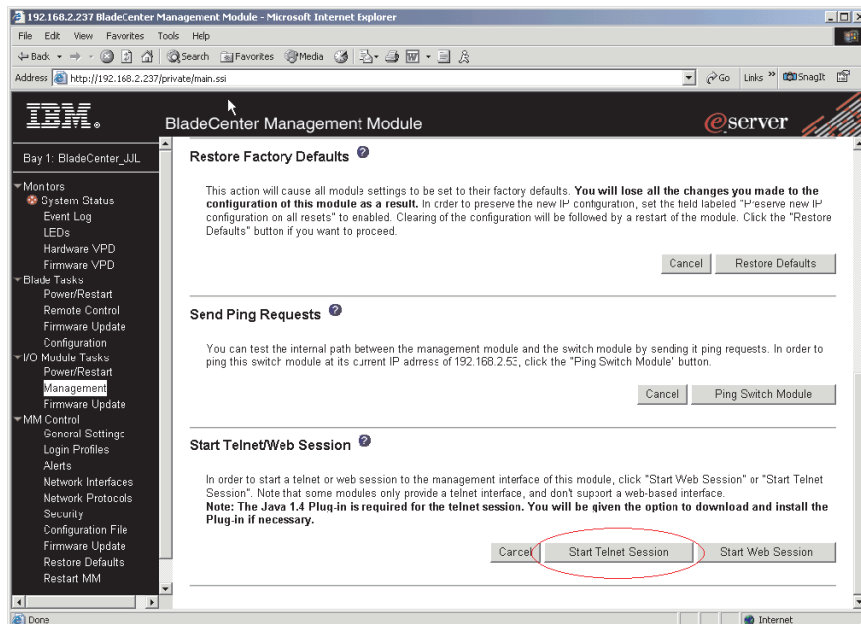
Use the management module GUI to start a Telnet session, as described in the following steps. The requirements for running a Telnet session are described in Chapter 4, “Configuring the GbE switch module,” on page 21.

1. Access and log on to the management module as described in the *BladeCenter Management Module User's Guide* on the IBM *BladeCenter Documentation* CD. The login window opens.

If you do not have an assigned user identifier (ID) and initial password, type the default user ID (USERID) in the **User ID** field and the default password (PASSWORD) in the **Password** field (where the sixth alphanumeric character is the number zero, not the letter O) and click **OK**. Type n when asked if you want to run setup. The main page in the management module opens.

Note: Capital letters are required; these fields are both case-sensitive. To increase system security, change the password after you log on for the first time.

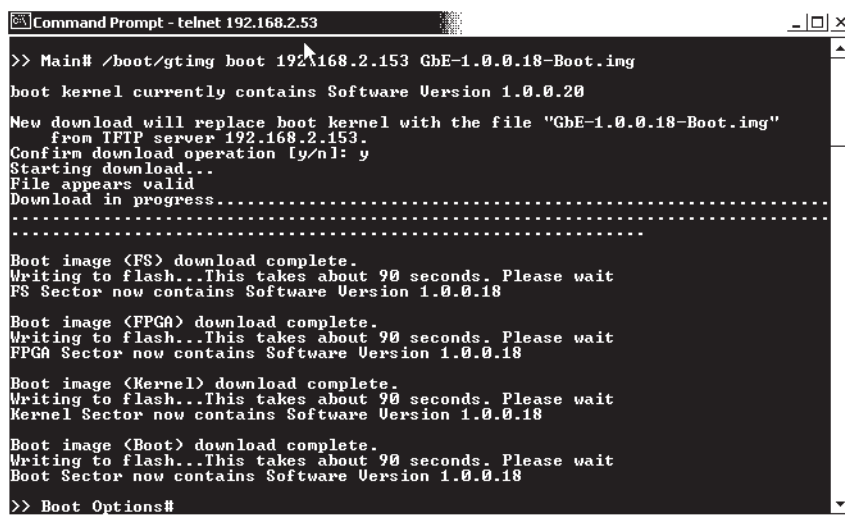
2. Select **Management** on the **I/O Module Tasks** menu on the left side of the BladeCenter Management Module window. The I/O Module Tasks window opens.
3. Click **Start Telnet Session**, as shown in the following illustration. If you do not have an assigned initial password, type the default password (admin) in the Password field and press **Enter**.



The following illustration shows the TFTP window for the software download to the GbE switch module. Complete the following steps to upgrade the switch software:

1. Using the CLI, type the following command and press Enter:
/boot/gtimg imageX TADDR zzzz (where imageX is the image to be installed and zzzz is the operating-system image software; for example, GbE-1.0.0.20-os.img).
2. Reset and restart the GbE switch module as described in “Resetting and restarting the GbE switch module.”
3. Using the CLI, type the following command and press Enter:
/boot/gtimg boot TADDR yyyy (where yyyy is the boot image software; for example, GbE-1.0.0.24-boot.img).
4. Reset and restart the GbE switch module as described in “Resetting and restarting the GbE switch module.”

Note: There might only be one image to install.



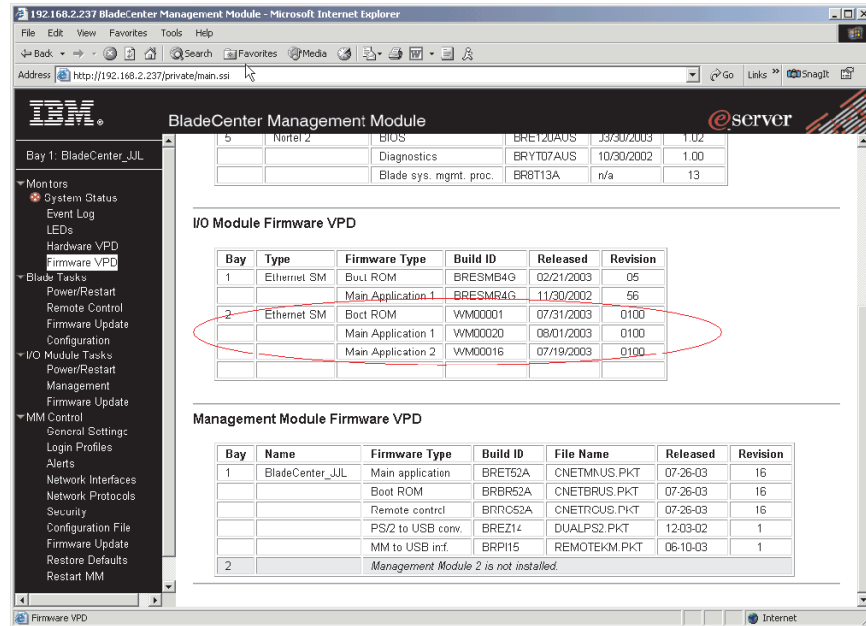
```
Command Prompt - telnet 192.168.2.53
>> Main# /boot/gtimg boot 192.168.2.153 GbE-1.0.0.18-Boot.img
boot kernel currently contains Software Version 1.0.0.20
New download will replace boot kernel with the file "GbE-1.0.0.18-Boot.img"
from TFTP server 192.168.2.153.
Confirm download operation [y/n]: y
Starting download...
File appears valid
Download in progress.....
.....
Boot image <FS> download complete.
Writing to flash...This takes about 90 seconds. Please wait
FS Sector now contains Software Version 1.0.0.18
Boot image <FPGA> download complete.
Writing to flash...This takes about 90 seconds. Please wait
FPGA Sector now contains Software Version 1.0.0.18
Boot image <Kernel> download complete.
Writing to flash...This takes about 90 seconds. Please wait
Kernel Sector now contains Software Version 1.0.0.18
Boot image <Boot> download complete.
Writing to flash...This takes about 90 seconds. Please wait
Boot Sector now contains Software Version 1.0.0.18
>> Boot Options#
```

Resetting and restarting the GbE switch module

To activate the new image or images, you must reset the GbE switch module through the management module GUI. Complete the following steps to reset the GbE switch module:

1. Select **Management** on the **I/O Module Tasks** menu on the left side of the BladeCenter Management Module window. The I/O Module Tasks window opens.
2. Select the I/O module bay on which the software update was just installed.
3. From the I/O Module Tasks window, select **Power/Restart**.
4. Click **POWER OFF SWITCH MODULE**.
5. Select the I/O module bay on which the software update was just installed.
6. Click **POWER ON SWITCH MODULE**.
7. Wait 70 seconds for POST to be completed.
8. Make sure that the latest Alteon OS switch software was correctly installed on the GbE switch module. Select **Firmware VPD** on the **Monitors** menu on the left side of the BladeCenter Management Module window. The Firmware VPD window opens.

- On the Firmware VPD window, locate the **I/O Module Firmware VPD** heading between the **Blade Server Firmware VPD** and **Management Module Firmware VPD** headings. Page down to the number of the I/O module bay that contains the GbE switch module that you just installed; then, note the corresponding level of the software for the switch module.



- Make sure that the latest Alteon OS switch software was correctly installed on the GbE switch module.

Chapter 7. Solving problems

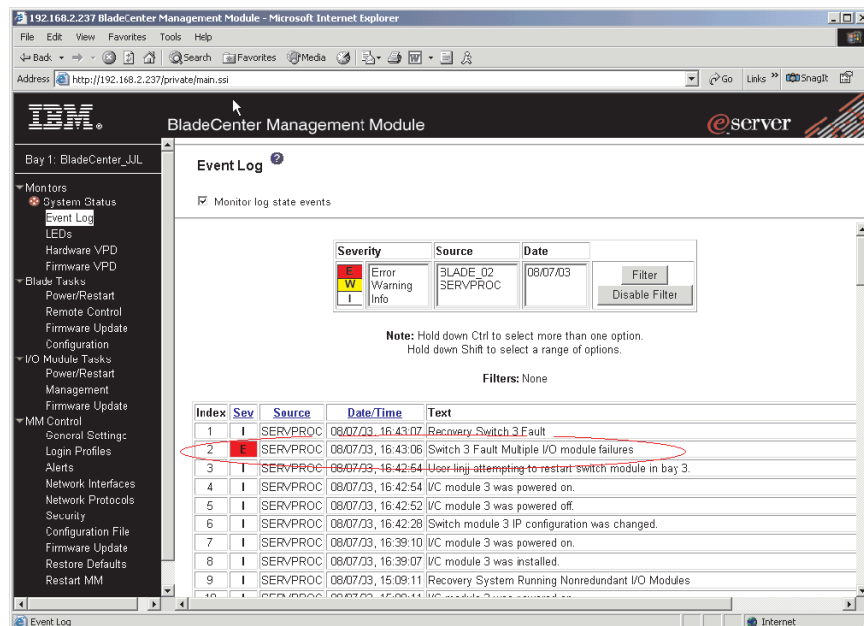
This section provides basic troubleshooting information to help you solve some problems that might occur while you are setting up the GbE switch module. The *Alteon OS 20.x Application Guide* and the *Hardware Maintenance Manual and Troubleshooting Guide* on the *IBM BladeCenter Documentation CD* contain more details about troubleshooting the GbE switch module.

If you cannot locate and correct the problem using the information in this section, see Appendix A, “Getting help and technical assistance,” on page 49.

Running POST

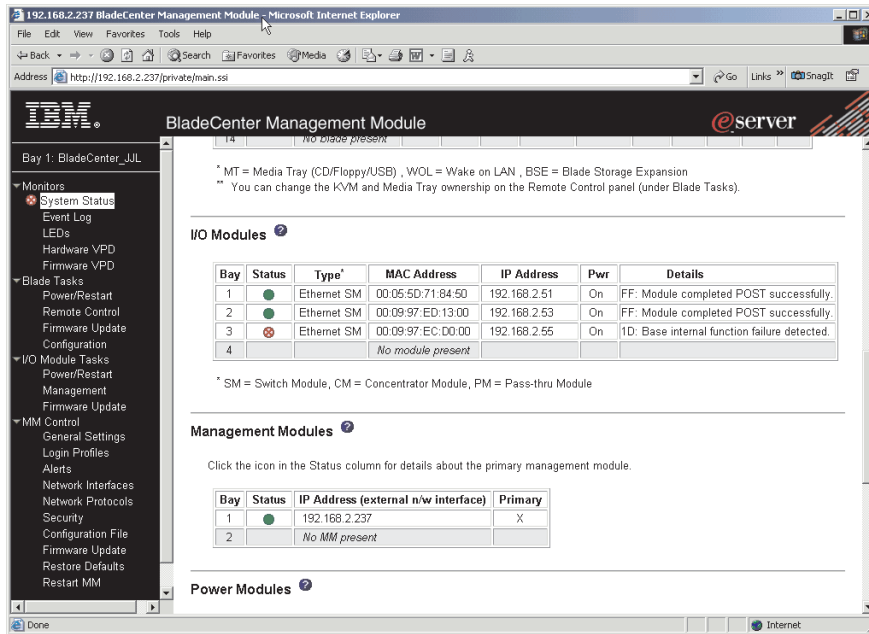
To ensure that it is fully operational, the GbE switch module processes a series of tests during power-up or a restart (power-on self-test or POST). These tests take approximately 1 minute to complete. The management module reads the test results and displays them for you. During normal operation, these tests are completed without error, and the green OK LED is lit. However, if POST fails, the amber GbE switch module error (fault) LED and the system-error LED on the BladeCenter unit will be lit. An event is stored in the event log in the System Status panel of the management module. The specific failure is displayed on the System Status I/O Module panel of the management module. The following illustrations are examples of the windows that will be displayed if a POST error occurs.

Note: For the location and description of the GbE switch module LEDs, see Chapter 3, “Information panel LEDs and external ports,” on page 19.



The screenshot shows the IBM BladeCenter Management Module interface in a Microsoft Internet Explorer browser window. The address bar shows the URL `http://192.168.2.237/private/main.ssi`. The main content area displays the "Event Log" with a table of events. The table has columns for Index, Sev, Source, Date/Time, and Text. The second row (Index 2) is highlighted in red and shows a severity of "Error" (E) from the source "SERVPROC" at "08/07/03, 16:43:06" with the text "Switch 3 Fault Multiple I/O module failures". A red circle is drawn around this row. Above the table, there is a filter section with a legend for Severity (Error, Warning, Info) and a table with columns for Source and Date. The filter table shows "BLADE_02" and "SERVPROC" as sources and "08/07/03" as the date. Below the filter table, there is a note: "Note: Hold down Ctrl to select more than one option. Hold down Shift to select a range of options." and "Filters: None".

Index	Sev	Source	Date/Time	Text
1	I	SERVPROC	08/07/03, 16:43:07	Recovery Switch 3 Fault
2	E	SERVPROC	08/07/03, 16:43:06	Switch 3 Fault Multiple I/O module failures
3	I	SERVPROC	08/07/03, 16:42:54	User linj attempting to restart switch module in bay 3.
4	I	SERVPROC	08/07/03, 16:42:54	I/C module 3 was powered on.
5	I	SERVPROC	08/07/03, 16:42:52	I/C module 3 was powered off.
6	I	SERVPROC	08/07/03, 16:42:28	Switch module 3 IP configuration was changed.
7	I	SERVPROC	08/07/03, 16:39:10	I/C module 3 was powered on.
8	I	SERVPROC	08/07/03, 16:39:07	I/C module 3 was installed.
9	I	SERVPROC	08/07/03, 15:09:11	Recovery System Running Nonredundant I/O Modules



POST errors

There are two types of errors: noncritical and critical. Noncritical errors apply to one port, and the GbE switch module is operational. You can continue to operate the GbE switch module; however, you must replace it as soon as possible. When critical errors occur, the GbE switch module does not operate. If a critical error occurs, complete the following steps:

1. Open the Management Module Switch Information window.
2. Turn off the GbE switch module; then, turn it back on.
3. After POST is completed, the management module displays the results. Refresh the window to view the POST results. If the error remains, the GbE switch module is defective. Replace the GbE switch module.

The following table describes the basic critical and noncritical failures. This abbreviated list is representative; it is not intended as an exhaustive list. An error code is associated with each failure. Error codes appear on the Management Module Switch Information window. Be sure to note the applicable error code and corresponding failure. You might need to provide this information when you call the IBM HelpCenter®. For more details, see Appendix A, “Getting help and technical assistance,” on page 49.

Diagnostic indicator (in hex)	Failing functional area	Failure criticality
00 - 7F	Base internal functions	Critical
80 - 9F	Internal interface failures	Noncritical
A0 - AF	External interface errors	Noncritical
B0 - FE	Reserved	Noncritical
FF	Switch module “good” indicator	Operation

Appendix A. Getting help and technical assistance

If you need help, service, or technical assistance or just want more information about IBM products, you will find a wide variety of sources available from IBM to assist you. This chapter contains information about where to go for additional information about IBM and IBM products, what to do if you experience a problem with your xSeries or IntelliStation[®] system, and whom to call for service, if it is necessary.

Before you call

Before you call, make sure that you have taken these steps to try to solve the problem yourself:

- Check all cables to make sure that they are connected.
- Check the power switches to make sure that the system is turned on.
- Use the troubleshooting information in your system documentation, and use the diagnostic tools that come with your system.
- Go to the IBM Support Web site at <http://www.ibm.com/pc/support/> to check for technical information, hints, tips, and new device drivers.
- Use an IBM discussion forum on the IBM Web site to ask questions.

You can solve many problems without outside assistance by following the troubleshooting procedures that IBM provides in the online help or in the publications that are provided with your system and software. The information that comes with your system also describes the diagnostic tests that you can perform. Most xSeries and IntelliStation systems, operating systems, and programs come with information that contains troubleshooting procedures and explanations of error messages and error codes. If you suspect a software problem, see the information for the operating system or program.

Using the documentation

Information about your IBM xSeries or IntelliStation system and preinstalled software, if any, is available in the documentation that comes with your system. That documentation includes printed books, online books, README files, and help files. See the troubleshooting information in your system documentation for instructions for using the diagnostic programs. The troubleshooting information or the diagnostic programs might tell you that you need additional or updated device drivers or other software. IBM maintains pages on the World Wide Web where you can get the latest technical information and download device drivers and updates. To access these pages, go to <http://www.ibm.com/pc/support/> and follow the instructions. Also, you can order publications through the IBM Publications Ordering System at <http://www.elink.ibm.com/public/applications/publications/cgibin/pbi.cgi>.

Getting help and information from the World Wide Web

On the World Wide Web, the IBM Web site has up-to-date information about IBM xSeries and IntelliStation products, services, and support. The address for IBM xSeries information is <http://www.ibm.com/eserver/xseries/>. The address for IBM IntelliStation information is <http://www.ibm.com/pc/intellistation/>.

You can find service information for your IBM products, including supported options, at <http://www.ibm.com/pc/support/>.

Software service and support

Through IBM Support Line, you can get telephone assistance, for a fee, with usage, configuration, and software problems with xSeries servers, IntelliStation workstations, and appliances. For information about which products are supported by Support Line in your country or region, go to <http://www.ibm.com/services/sl/products/>.

For more information about Support Line and other IBM services, go to <http://www.ibm.com/services/>, or go to <http://www.ibm.com/planetwide/> for support telephone numbers. In the U.S. and Canada, call 1-800-IBM-SERV (1-800-426-7378).

Hardware service and support

You can receive hardware service through IBM Integrated Technology Services or through your IBM reseller, if your reseller is authorized by IBM to provide warranty service. Go to <http://www.ibm.com/planetwide/> for support telephone numbers, or in the U.S. and Canada, call 1-800-IBM-SERV (1-800-426-7378).

In the U.S. and Canada, hardware service and support is available 24 hours a day, 7 days a week. In the U.K., these services are available Monday through Friday, from 9 a.m. to 6 p.m.

Appendix B. IBM Statement of Limited Warranty Z125-4753-07 11/2002

Part 1 - General Terms

Part 1 - General Terms

*This Statement of Limited Warranty includes Part 1 - General Terms, Part 2 - Country-unique Terms, and Part 3 - Warranty Information. The terms of Part 2 replace or modify those of Part 1. The warranties provided by IBM in this Statement of Limited Warranty apply only to Machines you purchase for your use, and not for resale. The term "Machine" means an IBM machine, its features, conversions, upgrades, elements, or accessories, or any combination of them. The term "Machine" does not include any software programs, whether pre-loaded with the Machine, installed subsequently or otherwise. **Nothing in this Statement of Limited Warranty affects any statutory rights of consumers that cannot be waived or limited by contract.***

What this Warranty Covers

IBM warrants that each Machine 1) is free from defects in materials and workmanship and 2) conforms to IBM's Official Published Specifications ("Specifications") which are available on request. The warranty period for the Machine starts on the original Date of Installation and is specified in Part 3 - Warranty Information. The date on your invoice or sales receipt is the Date of Installation unless IBM or your reseller informs you otherwise. Many features, conversions, or upgrades involve the removal of parts and their return to IBM. A part that replaces a removed part will assume the warranty service status of the removed part. Unless IBM specifies otherwise, these warranties apply only in the country or region in which you purchased the Machine.

THESE WARRANTIES ARE YOUR EXCLUSIVE WARRANTIES AND REPLACE ALL OTHER WARRANTIES OR CONDITIONS, EXPRESS OR IMPLIED, INCLUDING, BUT NOT LIMITED TO, THE IMPLIED WARRANTIES OR CONDITIONS OF MERCHANTABILITY AND FITNESS FOR A PARTICULAR PURPOSE. SOME STATES OR JURISDICTIONS DO NOT ALLOW THE EXCLUSION OF EXPRESS OR IMPLIED WARRANTIES, SO THE ABOVE EXCLUSION MAY NOT APPLY TO YOU. IN THAT EVENT, SUCH WARRANTIES ARE LIMITED IN DURATION TO THE WARRANTY PERIOD. NO WARRANTIES APPLY AFTER THAT PERIOD. SOME STATES OR JURISDICTIONS DO NOT ALLOW LIMITATIONS ON HOW LONG AN IMPLIED WARRANTY LASTS, SO THE ABOVE LIMITATION MAY NOT APPLY TO YOU.

What this Warranty Does not Cover

This warranty does not cover the following:

- any software programs, whether pre-loaded or shipped with the Machine, or installed subsequently;
- failure resulting from misuse (including but not limited to use of any Machine capacity or capability, other than that authorized by IBM in writing), accident, modification, unsuitable physical or operating environment, or improper maintenance by you;
- failure caused by a product for which IBM is not responsible; and
- any non-IBM products, including those that IBM may procure and provide with or integrate into an IBM Machine at your request.

The warranty is voided by removal or alteration of identification labels on the Machine or its parts.

IBM does not warrant uninterrupted or error-free operation of a Machine.

Any technical or other support provided for a Machine under warranty, such as assistance via telephone with “how-to” questions and those regarding Machine set-up and installation, is provided **WITHOUT WARRANTIES OF ANY KIND**.

How to Obtain Warranty Service

If the Machine does not function as warranted during the warranty period, contact IBM or your reseller to obtain warranty service. If you do not register the Machine with IBM, you may be required to present proof of purchase as evidence of your entitlement to warranty service.

What IBM Will Do to Correct Problems

When you call for service, you must follow the problem determination and resolution procedures that IBM specifies. A technician will attempt to make an initial diagnosis of your problem and help you resolve it over the telephone.

The type of warranty service applicable to your Machine is specified in Part 3 - Warranty Information.

You are responsible for downloading and installing designated Machine Code (microcode, basic input/output system code (called “BIOS”), utility programs, device drivers, and diagnostics delivered with an IBM Machine) and other software updates from an IBM Internet Web site or from other electronic media, and following the instructions that IBM provides.

If your problem can be resolved with a Customer Replaceable Unit (“CRU”) (e.g., keyboard, mouse, speaker, memory, hard disk drive and other easily replaceable parts), IBM will ship these parts to you for replacement by you.

If the Machine does not function as warranted during the warranty period and your problem cannot be resolved over the telephone, through your application of Machine Code or software updates, or with a CRU, IBM or your reseller, if approved by IBM to provide warranty service, will either, at its discretion, 1) repair it to make it function as warranted, or 2) replace it with one that is at least functionally equivalent. If IBM is unable to do either, you may return the Machine to your place of purchase and your money will be refunded.

IBM or your reseller will also manage and install selected engineering changes that apply to the Machine.

Exchange of a Machine or Part

When the warranty service involves the exchange of a Machine or part, the item IBM or your reseller replaces becomes its property and the replacement becomes yours. You represent that all removed items are genuine and unaltered. The replacement may not be new, but will be in good working order and at least functionally equivalent to the item replaced. The replacement assumes the warranty service status of the replaced item.

Your Additional Responsibilities

Before IBM or your reseller exchanges a Machine or part, you agree to remove all features, parts, options, alterations, and attachments not under warranty service.

You also agree to:

1. ensure that the Machine is free of any legal obligations or restrictions that prevent its exchange;
2. obtain authorization from the owner to have IBM or your reseller service a Machine that you do not own; and
3. where applicable, before service is provided:
 - a. follow the service request procedures that IBM or your reseller provides;
 - b. backup or secure all programs, data, and funds contained in the Machine;
 - c. provide IBM or your reseller with sufficient, free, and safe access to your facilities to permit IBM to fulfill its obligations; and
 - d. inform IBM or your reseller of changes in the Machine's location.
4. (a) ensure all information about identified or identifiable individuals (Personal Data) is deleted from the Machine (to the extent technically possible), (b) allow IBM, your reseller or an IBM supplier to process on your behalf any remaining Personal Data as IBM or your reseller considers necessary to fulfill its obligations under this Statement of Limited Warranty (which may include shipping the Machine for such processing to other IBM service locations around the world), and (c) ensure that such processing complies with any laws applicable to such Personal Data.

Limitation of Liability

IBM is responsible for loss of, or damage to, your Machine only while it is 1) in IBM's possession or 2) in transit in those cases where IBM is responsible for the transportation charges.

Neither IBM nor your reseller are responsible for any of your confidential, proprietary or personal information contained in a Machine which you return to IBM for any reason. You should remove all such information from the Machine prior to its return.

Circumstances may arise where, because of a default on IBM's part or other liability, you are entitled to recover damages from IBM. In each such instance, regardless of the basis on which you are entitled to claim damages from IBM (including fundamental breach, negligence, misrepresentation, or other contract or tort claim), except for any liability that cannot be waived or limited by applicable laws, IBM is liable for no more than

1. damages for bodily injury (including death) and damage to real property and tangible personal property; and

2. the amount of any other actual direct damages, up to the charges (if recurring, 12 months' charges apply) for the Machine that is subject of the claim. For purposes of this item, the term "Machine" includes Machine Code and Licensed Internal Code ("LIC").

This limit also applies to IBM's suppliers and your reseller. It is the maximum for which IBM, its suppliers, and your reseller are collectively responsible.

UNDER NO CIRCUMSTANCES IS IBM, ITS SUPPLIERS OR RESELLERS LIABLE FOR ANY OF THE FOLLOWING EVEN IF INFORMED OF THEIR POSSIBILITY: 1) THIRD PARTY CLAIMS AGAINST YOU FOR DAMAGES (OTHER THAN THOSE UNDER THE FIRST ITEM LISTED ABOVE); 2) LOSS OF, OR DAMAGE TO, DATA; 3) SPECIAL, INCIDENTAL, OR INDIRECT DAMAGES OR FOR ANY ECONOMIC CONSEQUENTIAL DAMAGES; OR 4) LOST PROFITS, BUSINESS REVENUE, GOODWILL OR ANTICIPATED SAVINGS. SOME STATES OR JURISDICTIONS DO NOT ALLOW THE EXCLUSION OR LIMITATION OF INCIDENTAL OR CONSEQUENTIAL DAMAGES, SO THE ABOVE LIMITATION OR EXCLUSION MAY NOT APPLY TO YOU. SOME STATES OR JURISDICTIONS DO NOT ALLOW LIMITATIONS ON HOW LONG AN IMPLIED WARRANTY LASTS, SO THE ABOVE LIMITATION MAY NOT APPLY TO YOU.

Governing Law

Both you and IBM consent to the application of the laws of the country in which you acquired the Machine to govern, interpret, and enforce all of your and IBM's rights, duties, and obligations arising from, or relating in any manner to, the subject matter of this Statement of Limited Warranty, without regard to conflict of law principles.

THESE WARRANTIES GIVE YOU SPECIFIC LEGAL RIGHTS AND YOU MAY ALSO HAVE OTHER RIGHTS WHICH VARY FROM STATE TO STATE OR JURISDICTION TO JURISDICTION.

Jurisdiction

All of our rights, duties, and obligations are subject to the courts of the country in which you acquired the Machine.

Part 2 - Country-unique Terms

AMERICAS

ARGENTINA

Governing Law: *The following is added after the first sentence:*

Any litigation arising from this Statement of Limited Warranty will be settled exclusively by the Ordinary Commercial Court of the city of Buenos Aires.

BRAZIL

Governing Law: *The following is added after the first sentence:*

Any litigation arising from this Statement of Limited Warranty will be settled exclusively by the court of Rio de Janeiro, RJ.

PERU

Limitation of Liability: *The following is added at the end of this section:*

In accordance with Article 1328 of the Peruvian Civil Code the limitations and exclusions specified in this section will not apply to damages caused by IBM's willful misconduct ("dolo") or gross negligence ("culpa inexcusable").

NORTH AMERICA

How to Obtain Warranty Service: *The following is added to this Section:*

To obtain warranty service from IBM in Canada or the United States, call 1-800-IBM-SERV (426-7378).

CANADA

Limitation of Liability: *The following replaces item 1 of this section:*

1. damages for bodily injury (including death) or physical harm to real property and tangible personal property caused by IBM's negligence; and

Governing Law: *The following replaces "laws of the country in which you acquired the Machine" in the first sentence:*

laws in the Province of Ontario.

UNITED STATES

Governing Law: *The following replaces "laws of the country in which you acquired the Machine" in the first sentence:*

laws of the State of New York.

ASIA PACIFIC

AUSTRALIA

What this Warranty Covers: *The following paragraph is added to this section:*

The warranties specified in this Section are in addition to any rights you may have under the Trade Practices Act 1974 or other similar legislation and are only limited to the extent permitted by the applicable legislation.

Limitation of Liability: *The following is added to this section:*

Where IBM is in breach of a condition or warranty implied by the Trade Practices Act 1974 or other similar legislation, IBM's liability is limited to the repair or replacement of the goods or the supply of equivalent goods. Where that condition or warranty relates to right to sell, quiet possession or clear title, or the goods are of a kind ordinarily acquired for personal, domestic or household use or consumption, then none of the limitations in this paragraph apply.

Governing Law: *The following replaces "laws of the country in which you acquired the Machine" in the first sentence:*

laws of the State or Territory.

CAMBODIA, LAOS, AND VIETNAM

Governing Law: *The following replaces “laws of the country in which you acquired the Machine” in the first sentence:*
laws of the State of New York, United States of America.

CAMBODIA, INDONESIA, LAOS, AND VIETNAM

Arbitration: *The following is added under this heading:*
Disputes arising out of or in connection with this Statement of Limited Warranty shall be finally settled by arbitration which shall be held in Singapore in accordance with the Arbitration Rules of Singapore International Arbitration Center (“SIAC Rules”) then in effect. The arbitration award shall be final and binding for the parties without appeal and shall be in writing and set forth the findings of fact and the conclusions of law.

The number of arbitrators shall be three, with each side to the dispute being entitled to appoint one arbitrator. The two arbitrators appointed by the parties shall appoint a third arbitrator who shall act as chairman of the proceedings. Vacancies in the post of chairman shall be filled by the president of the SIAC. Other vacancies shall be filled by the respective nominating party. Proceedings shall continue from the stage they were at when the vacancy occurred.

If one of the parties refuses or otherwise fails to appoint an arbitrator within 30 days of the date the other party appoints its, the first appointed arbitrator shall be the sole arbitrator, provided that the arbitrator was validly and properly appointed.

All proceedings shall be conducted, including all documents presented in such proceedings, in the English language. The English language version of this Statement of Limited Warranty prevails over any other language version.

HONG KONG S.A.R. OF CHINA AND MACAU S.A.R. OF CHINA

Governing Law: *The following replaces “laws of the country in which you acquired the Machine” in the first sentence:*
laws of Hong Kong Special Administrative Region of China.

INDIA

Limitation of Liability: *The following replaces items 1 and 2 of this section:*

1. liability for bodily injury (including death) or damage to real property and tangible personal property will be limited to that caused by IBM’s negligence; and
2. as to any other actual damage arising in any situation involving nonperformance by IBM pursuant to, or in any way related to the subject of this Statement of Limited Warranty, the charge paid by you for the individual Machine that is the subject of the claim. For purposes of this item, the term “Machine” includes Machine Code and Licensed Internal Code (“LIC”).

Arbitration: *The following is added under this heading:*

Disputes arising out of or in connection with this Statement of Limited Warranty shall be finally settled by arbitration which shall be held in Bangalore, India in accordance with the laws of India then in effect. The arbitration award shall be final and binding for the parties without appeal and shall be in writing and set forth the findings of fact and the conclusions of law.

The number of arbitrators shall be three, with each side to the dispute being entitled to appoint one arbitrator. The two arbitrators appointed by the parties shall appoint a third arbitrator who shall act as chairman of the proceedings. Vacancies in the post of chairman shall be filled by the president of the Bar Council of India. Other vacancies shall be filled by the respective nominating party. Proceedings shall continue from the stage they were at when the vacancy occurred.

If one of the parties refuses or otherwise fails to appoint an arbitrator within 30 days of the date the other party appoints its, the first appointed arbitrator shall be the sole arbitrator, provided that the arbitrator was validly and properly appointed.

All proceedings shall be conducted, including all documents presented in such proceedings, in the English language. The English language version of this Statement of Limited Warranty prevails over any other language version.

JAPAN

Governing Law: *The following sentence is added to this section:*

Any doubts concerning this Statement of Limited Warranty will be initially resolved between us in good faith and in accordance with the principle of mutual trust.

MALAYSIA

Limitation of Liability: *The word “**SPECIAL**” in item 3 of the fifth paragraph is deleted.*

NEW ZEALAND

What this Warranty Covers: *The following paragraph is added to this section:*
The warranties specified in this section are in addition to any rights you may have under the Consumer Guarantees Act 1993 or other legislation which cannot be excluded or limited. The Consumer Guarantees Act 1993 will not apply in respect of any goods which IBM provides, if you require the goods for the purposes of a business as defined in that Act.

Limitation of Liability: *The following is added to this section:*
Where Machines are not acquired for the purposes of a business as defined in the Consumer Guarantees Act 1993, the limitations in this section are subject to the limitations in that Act.

PEOPLE'S REPUBLIC OF CHINA (PRC)

Governing Law: *The following replaces "laws of the country in which you acquired the Machine" in the first sentence:*

laws of the State of New York, United States of America (except when local law requires otherwise).

PHILIPPINES

Limitation of Liability: *Item 3 in the fifth paragraph is replaced by the following:*

SPECIAL (INCLUDING NOMINAL AND EXEMPLARY DAMAGES), MORAL, INCIDENTAL, OR INDIRECT DAMAGES FOR ANY ECONOMIC CONSEQUENTIAL DAMAGES; OR

Arbitration: *The following is added under this heading:*

Disputes arising out of or in connection with this Statement of Limited Warranty shall be finally settled by arbitration which shall be held in Metro Manila, Philippines in accordance with the laws of the Philippines then in effect. The arbitration award shall be final and binding for the parties without appeal and shall be in writing and set forth the findings of fact and the conclusions of law.

The number of arbitrators shall be three, with each side to the dispute being entitled to appoint one arbitrator. The two arbitrators appointed by the parties shall appoint a third arbitrator who shall act as chairman of the proceedings. Vacancies in the post of chairman shall be filled by the president of the Philippine Dispute Resolution Center, Inc. Other vacancies shall be filled by the respective nominating party. Proceedings shall continue from the stage they were at when the vacancy occurred.

If one of the parties refuses or otherwise fails to appoint an arbitrator within 30 days of the date the other party appoints its, the first appointed arbitrator shall be the sole arbitrator, provided that the arbitrator was validly and properly appointed.

All proceedings shall be conducted, including all documents presented in such proceedings, in the English language. The English language version of this Statement of Limited Warranty prevails over any other language version.

SINGAPORE

Limitation of Liability: *The words “SPECIAL” and “ECONOMIC” in item 3 in the fifth paragraph are deleted.*

EUROPE, MIDDLE EAST, AFRICA (EMEA)

THE FOLLOWING TERMS APPLY TO ALL EMEA COUNTRIES:

The terms of this Statement of Limited Warranty apply to Machines purchased from IBM or an IBM reseller.

Hot to Obtain Warranty Service: If you purchase a Machine in Austria, Belgium, Cyprus, Denmark, Estonia, Finland, France, Germany, Greece, Iceland, Ireland, Italy, Latvia, Liechtenstein, Lithuania, Luxembourg, Monaco, Netherlands, Norway, Portugal, Spain, San Marino, Sweden, Switzerland, United Kingdom or Vatican State, you may obtain warranty service for that Machine in any of those countries from either (1) an IBM reseller approved to perform warranty service or (2) from IBM, provided the Machine has been announced and made available by IBM in the country in which you wish to obtain service. If you purchased a Personal Computer Machine in Albania, Armenia, Belarus, Bosnia and Herzegovina, Bulgaria, Croatia, Czech Republic, Georgia, Hungary, Kazakhstan, Kyrgyzstan, Federal Republic of Yugoslavia, Former Yugoslav Republic of Macedonia (FYROM), Moldova, Poland, Romania, Russia, Slovak Republic, Slovenia, or Ukraine, you may obtain warranty service for that Machine in any of those countries from either (1) an IBM reseller approved to perform warranty service or (2) from IBM.

If you purchase a Machine in a Middle Eastern or African country, you may obtain warranty service for that Machine from the IBM entity within the country of purchase, if that IBM entity provides warranty service in that country, or from an IBM reseller, approved by IBM to perform warranty service on that Machine in that country. Warranty service in Africa is available within 50 kilometers of an IBM approved service provider. You are responsible for transportation costs for Machines located outside 50 kilometers of an IBM approved service provider.

*Add the following paragraph in **Western Europe** (Austria, Belgium, Cyprus, Denmark, Finland, France, Germany, Greece, Iceland, Ireland, Italy, Liechtenstein, Luxembourg, Monaco, Netherlands, Norway, Portugal, Spain, San Marino, Sweden, Switzerland, United Kingdom, Vatican State):*

The warranty for Machines acquired in Western Europe shall be valid and applicable in all Western Europe countries provided the Machines have been announced and made available in such countries.

Governing Law:

The phrase “the laws of the country in which you acquired the Machine” is replaced by:

1) “the laws of Austria” in **Albania, Armenia, Azerbaijan, Belarus, Bosnia-Herzegovina, Bulgaria, Croatia, Georgia, Hungary, Kazakhstan, Kyrgyzstan, FYR Macedonia, Moldova, Poland, Romania, Russia, Slovakia, Slovenia, Tajikistan, Turkmenistan, Ukraine, Uzbekistan, and FR Yugoslavia;** 2) “the laws of France” in **Algeria, Benin, Burkina Faso, Cameroon, Cape Verde, Central African Republic, Chad, Comoros, Congo Republic, Djibouti, Democratic Republic of Congo, Equatorial Guinea, French Guiana, French Polynesia, Gabon, Gambia, Guinea, Guinea-Bissau, Ivory Coast, Lebanon, Madagascar, Mali, Mauritania, Mauritius, Mayotte, Morocco, New Caledonia, Niger, Reunion, Senegal, Seychelles, Togo, Tunisia, Vanuatu, and Wallis &**

Futuna; 3) “the laws of Finland” in **Estonia, Latvia, and Lithuania**; 4) “the laws of England” in **Angola, Bahrain, Botswana, Burundi, Egypt, Eritrea, Ethiopia, Ghana, Jordan, Kenya, Kuwait, Liberia, Malawi, Malta, Mozambique, Nigeria, Oman, Pakistan, Qatar, Rwanda, Sao Tome, Saudi Arabia, Sierra Leone, Somalia, Tanzania, Uganda, United Arab Emirates, the United Kingdom, West Bank/Gaza, Yemen, Zambia, and Zimbabwe**; and 5) “the laws of South Africa” in **South Africa, Namibia, Lesotho and Swaziland**.

Jurisdiction: *The following exceptions are added to this section:*

1) **In Austria** the choice of jurisdiction for all disputes arising out of this Statement of Limited Warranty and relating thereto, including its existence, will be the competent court of law in Vienna, Austria (Inner-City); 2) **in Angola, Bahrain, Botswana, Burundi, Egypt, Eritrea, Ethiopia, Ghana, Jordan, Kenya, Kuwait, Liberia, Malawi, Malta, Mozambique, Nigeria, Oman, Pakistan, Qatar, Rwanda, Sao Tome, Saudi Arabia, Sierra Leone, Somalia, Tanzania, Uganda, United Arab Emirates, West Bank/Gaza, Yemen, Zambia, and Zimbabwe** all disputes arising out of this Statement of Limited Warranty or related to its execution, including summary proceedings, will be submitted to the exclusive jurisdiction of the English courts; 3) in **Belgium and Luxembourg**, all disputes arising out of this Statement of Limited Warranty or related to its interpretation or its execution, the law, and the courts of the capital city, of the country of your registered office and/or commercial site location only are competent; 4) **in France, Algeria, Benin, Burkina Faso, Cameroon, Cape Verde, Central African Republic, Chad, Comoros, Congo Republic, Djibouti, Democratic Republic of Congo, Equatorial Guinea, French Guiana, French Polynesia, Gabon, Gambia, Guinea, Guinea-Bissau, Ivory Coast, Lebanon, Madagascar, Mali, Mauritania, Mauritius, Mayotte, Morocco, New Caledonia, Niger, Reunion, Senegal, Seychelles, Togo, Tunisia, Vanuatu, and Wallis & Futuna** all disputes arising out of this Statement of Limited Warranty or related to its violation or execution, including summary proceedings, will be settled exclusively by the Commercial Court of Paris; 5) **in Russia**, all disputes arising out of or in relation to the interpretation, the violation, the termination, the nullity of the execution of this Statement of Limited Warranty shall be settled by Arbitration Court of Moscow; 6) **in South Africa, Namibia, Lesotho and Swaziland**, both of us agree to submit all disputes relating to this Statement of Limited Warranty to the jurisdiction of the High Court in Johannesburg; 7) **in Turkey** all disputes arising out of or in connection with this Statement of Limited Warranty shall be resolved by the Istanbul Central (Sultanahmet) Courts and Execution Directorates of Istanbul, the Republic of Turkey; 8) in each of the following specified countries, any legal claim arising out of this Statement of Limited Warranty will be brought before, and settled exclusively by, the competent court of a) Athens for **Greece**, b) Tel Aviv-Jaffa for **Israel**, c) Milan for **Italy**, d) Lisbon for **Portugal**, and e) Madrid for **Spain**; and 9) **in the United Kingdom**, both of us agree to submit all disputes relating to this Statement of Limited Warranty to the jurisdiction of the English courts.

Arbitration: *The following is added under this heading:*

In Albania, Armenia, Azerbaijan, Belarus, Bosnia-Herzegovina, Bulgaria, Croatia, Georgia, Hungary, Kazakhstan, Kyrgyzstan, FYR Macedonia, Moldova, Poland, Romania, Russia, Slovakia, Slovenia, Tajikistan, Turkmenistan, Ukraine, Uzbekistan, and FR Yugoslavia all disputes arising out of this Statement of Limited Warranty or related to its violation, termination or nullity will be finally settled under the Rules of Arbitration and Conciliation of the International Arbitral Center of the Federal Economic Chamber in Vienna (Vienna Rules) by three arbitrators appointed in accordance with these rules. The arbitration will be held in

Vienna, Austria, and the official language of the proceedings will be English. The decision of the arbitrators will be final and binding upon both parties. Therefore, pursuant to paragraph 598 (2) of the Austrian Code of Civil Procedure, the parties expressly waive the application of paragraph 595 (1) figure 7 of the Code. IBM may, however, institute proceedings in a competent court in the country of installation.

In Estonia, Latvia and Lithuania all disputes arising in connection with this Statement of Limited Warranty will be finally settled in arbitration that will be held in Helsinki, Finland in accordance with the arbitration laws of Finland then in effect. Each party will appoint one arbitrator. The arbitrators will then jointly appoint the chairman. If arbitrators cannot agree on the chairman, then the Central Chamber of Commerce in Helsinki will appoint the chairman.

EUROPEAN UNION (EU)

THE FOLLOWING TERMS APPLY TO ALL EU COUNTRIES:

Consumers have legal rights under applicable national legislation governing the sale of consumer goods. Such rights are not affected by the warranties provided in this Statement of Limited Warranty.

How to Obtain Warranty Service: *The following is added to this section:*

To obtain warranty service from IBM in EU countries, see the telephone listing in Part 3 - Warranty Information.

You may contact IBM at the following address:

IBM Warranty & Service Quality Dept.
PO Box 30
Spango Valley
Greenock
Scotland PA16 0AH

AUSTRIA, DENMARK, FINLAND, GREECE, ITALY, NETHERLANDS, PORTUGAL, SPAIN, SWEDEN AND SWITZERLAND

Limitation of Liability: *The following replaces the terms of this section in its entirety:*

Except as otherwise provided by mandatory law:

1. IBM's liability for any damages and losses that may arise as a consequence of the fulfillment of its obligations under or in connection with this Statement of Limited Warranty or due to any other cause related to this Statement of Limited Warranty is limited to the compensation of only those damages and losses proved and actually arising as an immediate and direct consequence of the non-fulfillment of such obligations (if IBM is at fault) or of such cause, for a maximum amount equal to the charges you paid for the Machine. For purposes of this item, the term "Machine" includes Machine Code and Licensed Internal Code ("LIC").

The above limitation shall not apply to damages for bodily injuries (including death) and damages to real property and tangible personal property for which IBM is legally liable.

2. **UNDER NO CIRCUMSTANCES IS IBM, ITS SUPPLIERS OR RESELLERS LIABLE FOR ANY OF THE FOLLOWING, EVEN IF INFORMED OF THEIR POSSIBILITY: 1) LOSS OF, OR DAMAGE TO, DATA; 2) INCIDENTAL OR INDIRECT DAMAGES, OR FOR ANY ECONOMIC CONSEQUENTIAL**

DAMAGES; 3) LOST PROFITS, EVEN IF THEY ARISE AS AN IMMEDIATE CONSEQUENCE OF THE EVENT THAT GENERATED THE DAMAGES; OR 4) LOSS OF BUSINESS, REVENUE, GOODWILL, OR ANTICIPATED SAVINGS.

FRANCE AND BELGIUM

Limitation of Liability: *The following replaces the terms of this section in its entirety:*

Except as otherwise provided by mandatory law:

1. IBM's liability for any damages and losses that may arise as a consequence of the fulfillment of its obligations under or in connection with this Statement of Limited Warranty is limited to the compensation of only those damages and losses proved and actually arising as an immediate and direct consequence of the non-fulfillment of such obligations (if IBM is at fault), for a maximum amount equal to the charges you paid for the Machine that has caused the damages. For purposes of this item, the term "Machine" includes Machine Code and Licensed Internal Code ("LIC").

The above limitation shall not apply to damages for bodily injuries (including death) and damages to real property and tangible personal property for which IBM is legally liable.

2. **UNDER NO CIRCUMSTANCES IS IBM, ITS SUPPLIERS OR RESELLERS LIABLE FOR ANY OF THE FOLLOWING, EVEN IF INFORMED OF THEIR POSSIBILITY: 1) LOSS OF, OR DAMAGE TO, DATA; 2) INCIDENTAL OR INDIRECT DAMAGES, OR FOR ANY ECONOMIC CONSEQUENTIAL DAMAGES; 3) LOST PROFITS, EVEN IF THEY ARISE AS AN IMMEDIATE CONSEQUENCE OF THE EVENT THAT GENERATED THE DAMAGES; OR 4) LOSS OF BUSINESS, REVENUE, GOODWILL, OR ANTICIPATED SAVINGS.**

THE FOLLOWING TERMS APPLY TO THE COUNTRY SPECIFIED:

AUSTRIA

What this Warranty Covers: *The following replaces the first sentence of the first paragraph of this section:*

The warranty for an IBM Machine covers the functionality of the Machine for its normal use and the Machine's conformity to its Specifications.

The following paragraphs are added to this section:

The warranty period for Machines is 12 months from the date of delivery. The limitation period for consumers in action for breach of warranty is the statutory period as a minimum. In case IBM or your reseller is unable to repair an IBM Machine, you can alternatively ask for a partial refund as far as justified by the reduced value of the unrepaired Machine or ask for a cancellation of the respective agreement for such Machine and get your money refunded.

The second paragraph does not apply.

What IBM Will Do to Correct Problems: *The following is added to this section:*

During the warranty period, transportation for delivery of the failing Machine to IBM will be at IBM's expense.

Limitation of Liability: *The following paragraph is added to this section:*

The limitations and exclusions specified in the Statement of Limited Warranty will not apply to damages caused by IBM with fraud or gross negligence and for express warranty.

The following sentence is added to the end of item 2:

IBM's liability under this item is limited to the violation of essential contractual terms in cases of ordinary negligence.

EGYPT

Limitation of Liability: *The following replaces item 2 in this section:*
as to any other actual direct damages, IBM's liability will be limited to the total amount you paid for the Machine that is the subject of the claim. For purposes of this item, the term "Machine" includes Machine Code and Licensed Internal Code ("LIC").

Applicability of suppliers and resellers (unchanged).

FRANCE

Limitation of Liability: *The following replaces the second sentence of the first paragraph of this section:*

In such instances, regardless of the basis on which you are entitled to claim damages from IBM, IBM is liable for no more than: (items 1 and 2 unchanged).

GERMANY

What this Warranty Covers: *The following replaces the first sentence of the first paragraph of this section:*

The warranty for an IBM Machine covers the functionality of the Machine for its normal use and the Machine's conformity to its Specifications.

The following paragraphs are added to this section:

The minimum warranty period for Machines is twelve months. In case IBM or your reseller is unable to repair an IBM Machine, you can alternatively ask for a partial refund as far as justified by the reduced value of the unrepaired Machine or ask for a cancellation of the respective agreement for such Machine and get your money refunded.

The second paragraph does not apply.

What IBM Will Do to Correct Problems: *The following is added to this section:*

During the warranty period, transportation for delivery of the failing Machine to IBM will be at IBM's expense.

Limitation of Liability: *The following paragraph is added to this section:*

The limitations and exclusions specified in the Statement of Limited Warranty will not apply to damages caused by IBM with fraud or gross negligence and for express warranty.

The following sentence is added to the end of item 2:

IBM's liability under this item is limited to the violation of essential contractual terms in cases of ordinary negligence.

HUNGARY

Limitation of Liability: *The following is added at the end of this section:*

The limitation and exclusion specified herein shall not apply to liability for a breach of contract damaging life, physical well-being, or health that has been caused intentionally, by gross negligence, or by a criminal act.

The parties accept the limitations of liability as valid provisions and state that the Section 314.(2) of the Hungarian Civil Code applies as the acquisition price as well as other advantages arising out of the present Statement of Limited Warranty balance this limitation of liability.

IRELAND

What this Warranty Covers: *The following is added to this section:*

Except as expressly provided in these terms and conditions, all statutory conditions, including all warranties implied, but without prejudice to the generality of the foregoing all warranties implied by the Sale of Goods Act 1893 or the Sale of Goods and Supply of Services Act 1980 are hereby excluded.

Limitation of Liability: *The following replaces the terms of this section in its entirety:*

For the purposes of this section, a "Default" means any act, statement, omission, or negligence on the part of IBM in connection with, or in relation to, the subject matter of this Statement of Limited Warranty in respect of which IBM is legally liable to you, whether in contract or tort. A number of Defaults which together result in, or contribute to, substantially the same loss or damage will be treated as one Default occurring on the date of occurrence of the last such Default.

Circumstances may arise where, because of a Default, you are entitled to recover damages from IBM.

This section sets out the extent of IBM's liability and your sole remedy.

1. IBM will accept unlimited liability for death or personal injury caused by the negligence of IBM.
2. Subject always to the **Items for Which IBM is Not Liable** below, IBM will accept unlimited liability for physical damage to your tangible property resulting from the negligence of IBM.
3. Except as provided in items 1 and 2 above, IBM's entire liability for actual damages for any one Default will not in any event exceed the greater of 1) EUR 125,000, or 2) 125% of the amount you paid for the Machine directly relating to the Default.

Items for Which IBM is Not Liable

Save with respect to any liability referred to in item 1 above, under no circumstances is IBM, its suppliers or resellers liable for any of the following, even if IBM or they were informed of the possibility of such losses:

1. loss of, or damage to, data;

2. special, indirect, or consequential loss; or
3. loss of profits, business, revenue, goodwill, or anticipated savings.

SLOVAKIA

Limitation of Liability: *The following is added to the end of the last paragraph:*

The limitations apply to the extent they are not prohibited under §§ 373-386 of the Slovak Commercial Code.

SOUTH AFRICA, NAMIBIA, BOTSWANA, LESOTHO AND SWAZILAND

Limitation of Liability: *The following is added to this section:*

IBM's entire liability to you for actual damages arising in all situations involving nonperformance by IBM in respect of the subject matter of this Statement of Warranty will be limited to the charge paid by you for the individual Machine that is the subject of your claim from IBM.

UNITED KINGDOM

Limitation of Liability: *The following replaces the terms of this section in its entirety:*

For the purposes of this section, a "Default" means any act, statement, omission, or negligence on the part of IBM in connection with, or in relation to, the subject matter of this Statement of Limited Warranty in respect of which IBM is legally liable to you, whether in contract or tort. A number of Defaults which together result in, or contribute to, substantially the same loss or damage will be treated as one Default.

Circumstances may arise where, because of a Default, you are entitled to recover damages from IBM.

This section sets out the extent of IBM's liability and your sole remedy.

1. IBM will accept unlimited liability for:
 - a. death or personal injury caused by the negligence of IBM; and
 - b. any breach of its obligations implied by Section 12 of the Sale of Goods Act 1979 or Section 2 of the Supply of Goods and Services Act 1982, or any statutory modification or re-enactment of either such Section.
2. IBM will accept unlimited liability, subject always to the **Items for Which IBM is Not Liable** below, for physical damage to your tangible property resulting from the negligence of IBM.
3. IBM's entire liability for actual damages for any one Default will not in any event, except as provided in items 1 and 2 above, exceed the greater of 1) Pounds Sterling 75,000, or 2) 125% of the total purchase price payable or the charges for the Machine directly relating to the Default.

These limits also apply to IBM's suppliers and resellers. They state the maximum for which IBM and such suppliers and resellers are collectively responsible.

Items for Which IBM is Not Liable

Save with respect to any liability referred to in item 1 above, under no circumstances is IBM or any of its suppliers or resellers liable for any of the following, even if IBM or they were informed of the possibility of such losses:

1. loss of, or damage to, data;
2. special, indirect, or consequential loss; or
3. loss of profits, business, revenue, goodwill, or anticipated savings.

Part 3 - Warranty Information

This Part 3 provides information regarding the warranty applicable to your Machine, including the warranty period and type of warranty service IBM provides.

Warranty Period

The warranty period may vary by country or region and is specified in the table below.

Note: "Region" means either Hong Kong or Macau Special Administrative Region of China.

Machine - Nortel Networks Layer 2-7 GbE Switch Module for IBM @server BladeCenter

Country or Region of Purchase	Warranty Period	Type of Warranty Service*
Worldwide	Parts - 3 years, labor - 3 years	1
* See " Types of Warranty Service " for the legend and explanations of warranty-service types.		

A warranty period of 3 years on parts and 1 year on labor means that IBM provides warranty service without charge for:

1. parts and labor during the first year of the warranty period; and
2. parts only, on an exchange basis, in the second and third years of the warranty period. IBM will charge you for any labor provided in performance of the repair or replacement(s) in the second and third year of the warranty period.

Types of Warranty Service

If required, IBM provides repair or exchange service depending on the type of warranty service specified for your Machine in the above table and as described below. Warranty service may be provided by your reseller if approved by IBM to perform warranty service. Scheduling of service will depend upon the time of your call and is subject to parts availability. Service levels are response time objectives and are not guaranteed. The specified level of warranty service may not be available in all worldwide locations, additional charges may apply outside IBM's normal service area, contact your local IBM representative or your reseller for country and location specific information.

1. **Customer Replaceable Unit (“CRU”) Service**

IBM will ship CRU parts to you for your replacement. If IBM instructs you to return the replaced CRU, you are responsible for returning it to IBM in accordance with IBM's instructions. If you do not return the defective CRU, if IBM so instructs, within 30 days of your receipt of the replacement CRU, IBM may charge you for the replacement.

2. **On-site Service**

IBM or your reseller will either repair or exchange the failing Machine at your location and verify its operation. You must provide suitable working area to allow disassembly and reassembly of the IBM Machine. The area must be clean, well lit and suitable for the purpose. **For some Machines, certain repairs may require sending the Machine to an IBM service center.**

3. **Courier or Depot Service***

You will disconnect the failing Machine for collection arranged by IBM. IBM will provide you with a shipping container for you to return your Machine to a designated service center. A courier will pick up your Machine and deliver it to the designated service center. Following its repair or exchange, IBM will arrange the return delivery of the Machine to your location. You are responsible for its installation and verification.

4. **Customer Carry-In or Mail-In Service**

You will deliver or mail as IBM specifies (prepaid unless IBM specifies otherwise) the failing Machine suitably packaged to a location IBM designates. After IBM has repaired or exchanged the Machine, IBM will make it available for your collection or, for Mail-in Service, IBM will return it to you at IBM's expense, unless IBM specifies otherwise. You are responsible for the subsequent installation and verification of the Machine.

* This type of service is called ThinkPad® EasyServ or EasyServ in some countries.

The IBM Machine Warranty World Wide Web site at http://www.ibm.com/servers/support/machine_warranties/ provides a worldwide overview of IBM Limited Warranty for Machines, a Glossary of IBM definitions, Frequently Asked Questions (FAQs) and Support by Product (Machine) with links to Product Support pages. **The IBM Statement of Limited Warranty is also available on this site in 29 languages.**

To obtain warranty service contact IBM or your IBM reseller. In Canada or the United States, call 1-800-IBM-SERV (426-7378). In the EU countries, see the telephone numbers below.

EU Country Telephone List

Phone numbers are subject to change without notice.

Austria -- 43-1-24592-5901	Italy -- 39-02-482-9202
Belgium -- 02-718-4339	Luxembourg -- 352-360385-1
Denmark -- 4520-8200	Netherlands -- 020-514-5770
Finland -- 358-9-4591	Portugal -- 351-21-7915-147
France -- 0238-557-450	Spain -- 34-91-662-4916
Germany -- 07032-15-4920	Sweden -- 46-8-477-4420
Greece -- 30-210-688-1220	United Kingdom -- 01475-555-055
Ireland -- 353-1-815-4000	

Appendix C. Notices

This information was developed for products and services offered in the U.S.A.

IBM may not offer the products, services, or features discussed in this document in other countries. Consult your local IBM representative for information on the products and services currently available in your area. Any reference to an IBM product, program, or service is not intended to state or imply that only that IBM product, program, or service may be used. Any functionally equivalent product, program, or service that does not infringe any IBM intellectual property right may be used instead. However, it is the user's responsibility to evaluate and verify the operation of any non-IBM product, program, or service.

IBM may have patents or pending patent applications covering subject matter described in this document. The furnishing of this document does not give you any license to these patents. You can send license inquiries, in writing, to:

*IBM Director of Licensing
IBM Corporation
North Castle Drive
Armonk, NY 10504-1785
U.S.A.*

INTERNATIONAL BUSINESS MACHINES CORPORATION PROVIDES THIS PUBLICATION "AS IS" WITHOUT WARRANTY OF ANY KIND, EITHER EXPRESS OR IMPLIED, INCLUDING, BUT NOT LIMITED TO, THE IMPLIED WARRANTIES OF NON-INFRINGEMENT, MERCHANTABILITY OR FITNESS FOR A PARTICULAR PURPOSE. Some states do not allow disclaimer of express or implied warranties in certain transactions, therefore, this statement may not apply to you.

This information could include technical inaccuracies or typographical errors. Changes are periodically made to the information herein; these changes will be incorporated in new editions of the publication. IBM may make improvements and/or changes in the product(s) and/or the program(s) described in this publication at any time without notice.

Any references in this information to non-IBM Web sites are provided for convenience only and do not in any manner serve as an endorsement of those Web sites. The materials at those Web sites are not part of the materials for this IBM product, and use of those Web sites is at your own risk.

IBM may use or distribute any of the information you supply in any way it believes appropriate without incurring any obligation to you.

Edition notice

© Copyright International Business Machines Corporation 2004. All rights reserved.

U.S. Government Users Restricted Rights — Use, duplication, or disclosure restricted by GSA ADP Schedule Contract with IBM Corp.

Trademarks

The following terms are trademarks of International Business Machines Corporation in the United States, other countries, or both:

Active Memory	PS/2
Active PCI	ServeRAID
Active PCI-X	ServerGuide
Alert on LAN	ServerProven
C2T Interconnect	TechConnect
Chipkill	ThinkPad
EtherJet	Tivoli
e-business logo	Tivoli Enterprise
@server	Update Connector
FlashCopy	Wake on LAN
IBM	XA-32
IntelliStation	XA-64
NetBAY	X-Architecture
Netfinity	Xcel4
NetView	XpandOnDemand
OS/2 WARP	xSeries
Predictive Failure Analysis	

Lotus, Lotus Notes, SmartSuite, and Domino are trademarks of Lotus Development Corporation and/or IBM Corporation in the United States, other countries, or both.

Intel, MMX, and Pentium are trademarks of Intel Corporation in the United States, other countries, or both.

Microsoft, Windows, and Windows NT are trademarks of Microsoft Corporation in the United States, other countries, or both.

UNIX is a registered trademark of The Open Group in the United States and other countries.

Java and all Java-based trademarks and logos are trademarks or registered trademarks of Sun Microsystems, Inc. in the United States, other countries, or both.

Other company, product, or service names may be trademarks or service marks of others.

Important notes

Processor speeds indicate the internal clock speed of the microprocessor; other factors also affect application performance.

CD-ROM drive speeds list the variable read rate. Actual speeds vary and are often less than the maximum possible.

When referring to processor storage, real and virtual storage, or channel volume, KB stands for approximately 1000 bytes, MB stands for approximately 1 000 000 bytes, and GB stands for approximately 1 000 000 000 bytes.

When referring to hard disk drive capacity or communications volume, MB stands for 1 000 000 bytes, and GB stands for 1 000 000 000 bytes. Total user-accessible capacity may vary depending on operating environments.

Maximum internal hard disk drive capacities assume the replacement of any standard hard disk drives and population of all hard disk drive bays with the largest currently supported drives available from IBM.

Maximum memory may require replacement of the standard memory with an optional memory module.

IBM makes no representation or warranties regarding non-IBM products and services that are ServerProven[®], including but not limited to the implied warranties of merchantability and fitness for a particular purpose. These products are offered and warranted solely by third parties.

IBM makes no representations or warranties with respect to non-IBM products. Support (if any) for the non-IBM products is provided by the third party, not IBM.

Some software may differ from its retail version (if available), and may not include user manuals or all program functionality.

Product recycling and disposal

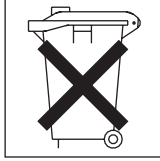
This unit contains materials such as circuit boards, cables, electromagnetic compatibility gaskets, and connectors which may contain lead and copper/beryllium alloys that require special handling and disposal at end of life. Before this unit is disposed of, these materials must be removed and recycled or discarded according to applicable regulations. IBM offers product-return programs in several countries. Information on product recycling offerings can be found on IBM's Internet site at <http://www.ibm.com/ibm/environment/products/prp.shtml>.

Battery return program

This product may contain a sealed lead acid, nickel cadmium, nickel metal hydride, lithium, or lithium ion battery. Consult your user manual or service manual for specific battery information. The battery must be recycled or disposed of properly. Recycling facilities may not be available in your area. For information on disposal of batteries outside the United States, go to <http://www.ibm.com/ibm/environment/products/batteryrecycle.shtml> or contact your local waste disposal facility.

In the United States, IBM has established a collection process for reuse, recycling, or proper disposal of used IBM sealed lead acid, nickel cadmium, nickel metal hydride, and battery packs from IBM equipment. For information on proper disposal of these batteries, contact IBM at 1-800-426-4333. Have the IBM part number listed on the battery available prior to your call.

In the Netherlands, the following applies.



Electronic emission notices

Federal Communications Commission (FCC) statement

Note: This equipment has been tested and found to comply with the limits for a Class A digital device, pursuant to Part 15 of the FCC Rules. These limits are designed to provide reasonable protection against harmful interference when the equipment is operated in a commercial environment. This equipment generates, uses, and can radiate radio frequency energy and, if not installed and used in accordance with the instruction manual, may cause harmful interference to radio communications. Operation of this equipment in a residential area is likely to cause harmful interference, in which case the user will be required to correct the interference at his own expense.

Properly shielded and grounded cables and connectors must be used in order to meet FCC emission limits. Properly shielded and grounded cables and connectors must be used in order to meet FCC emission limits. IBM is not responsible for any radio or television interference caused by using other than recommended cables and connectors or by using other than recommended cables and connectors or by unauthorized changes or modifications to this equipment. Unauthorized changes or modifications could void the user's authority to operate the equipment.

This device complies with Part 15 of the FCC Rules. Operation is subject to the following two conditions: (1) this device may not cause harmful interference, and (2) this device must accept any interference received, including interference that may cause undesired operation.

Industry Canada Class A emission compliance statement

This Class A digital apparatus complies with Canadian ICES-003.

Avis de conformité à la réglementation d'Industrie Canada

Cet appareil numérique de la classe A est conforme à la norme NMB-003 du Canada.

Australia and New Zealand Class A statement

Attention: This is a Class A product. In a domestic environment this product may cause radio interference in which case the user may be required to take adequate measures.

United Kingdom telecommunications safety requirement

Notice to Customers

This apparatus is approved under approval number NS/G/1234/J/100003 for indirect connection to public telecommunication systems in the United Kingdom.

European Union EMC Directive conformance statement

This product is in conformity with the protection requirements of EU Council Directive 89/336/EEC on the approximation of the laws of the Member States relating to electromagnetic compatibility. IBM cannot accept responsibility for any failure to satisfy the protection requirements resulting from a nonrecommended modification of the product, including the fitting of non-IBM option cards.

This product has been tested and found to comply with the limits for Class A Information Technology Equipment according to CISPR 22/European Standard EN 55022. The limits for Class A equipment were derived for commercial and industrial environments to provide reasonable protection against interference with licensed communication equipment.

Attention: This is a Class A product. In a domestic environment this product may cause radio interference in which case the user may be required to take adequate measures.

Taiwanese Class A warning statement

警告使用者：
這是甲類的資訊產品，在居住的環境中使用時，可能會造成射頻干擾，在這種情況下，使用者會被要求採取某些適當的對策。

Chinese Class A warning statement

聲 明
此為 A 級產品。在生活環境中，該產品可能會造成無線電干擾。在這種情況下，可能需要用戶對其干擾採取切实可行的措施。

Japanese Voluntary Control Council for Interference (VCCI) statement

この装置は、情報処理装置等電波障害自主規制協議会（VCCI）の基準に基づくクラスA情報技術装置です。この装置を家庭環境で使用すると電波妨害を引き起こすことがあります。この場合には使用者が適切な対策を講ずるよう要求されることがあります。

Power cords

For your safety, IBM provides a power cord with a grounded attachment plug to use with this IBM product. To avoid electrical shock, always use the power cord and plug with a properly grounded outlet.

IBM power cords used in the United States and Canada are listed by Underwriter's Laboratories (UL) and certified by the Canadian Standards Association (CSA).

For units intended to be operated at 115 volts: Use a UL-listed and CSA-certified cord set consisting of a minimum 18 AWG, Type SVT or SJT, three-conductor cord, a maximum of 15 feet in length and a parallel blade, grounding-type attachment plug rated 15 amperes, 125 volts.

For units intended to be operated at 230 volts (U.S. use): Use a UL-listed and CSA-certified cord set consisting of a minimum 18 AWG, Type SVT or SJT, three-conductor cord, a maximum of 15 feet in length and a tandem blade, grounding-type attachment plug rated 15 amperes, 250 volts.

For units intended to be operated at 230 volts (outside the U.S.): Use a cord set with a grounding-type attachment plug. The cord set should have the appropriate safety approvals for the country in which the equipment will be installed.

IBM power cords for a specific country or region are usually available only in that country or region.

IBM power cord part number	Used in these countries and regions
02K0546	China
13F9940	Australia, Fiji, Kiribati, Nauru, New Zealand, Papua New Guinea
13F9979	Afghanistan, Albania, Algeria, Andorra, Angola, Armenia, Austria, Azerbaijan, Belarus, Belgium, Benin, Bosnia and Herzegovina, Bulgaria, Burkina Faso, Burundi, Cambodia, Cameroon, Cape Verde, Central African Republic, Chad, Comoros, Congo (Democratic Republic of), Congo (Republic of), Cote D'Ivoire (Ivory Coast), Croatia (Republic of), Czech Republic, Dahomey, Djibouti, Egypt, Equatorial Guinea, Eritrea, Estonia, Ethiopia, Finland, France, French Guyana, French Polynesia, Germany, Greece, Guadeloupe, Guinea, Guinea Bissau, Hungary, Iceland, Indonesia, Iran, Kazakhstan, Kyrgyzstan, Laos (People's Democratic Republic of), Latvia, Lebanon, Lithuania, Luxembourg, Macedonia (former Yugoslav Republic of), Madagascar, Mali, Martinique, Mauritania, Mauritius, Mayotte, Moldova (Republic of), Monaco, Mongolia, Morocco, Mozambique, Netherlands, New Caledonia, Niger, Norway, Poland, Portugal, Reunion, Romania, Russian Federation, Rwanda, Sao Tome and Principe, Saudi Arabia, Senegal, Serbia, Slovakia, Slovenia (Republic of), Somalia, Spain, Suriname, Sweden, Syrian Arab Republic, Tajikistan, Tahiti, Togo, Tunisia, Turkey, Turkmenistan, Ukraine, Upper Volta, Uzbekistan, Vanuatu, Vietnam, Wallis and Futuna, Yugoslavia (Federal Republic of), Zaire
13F9997	Denmark
14F0015	Bangladesh, Lesotho, Maceo, Maldives, Namibia, Nepal, Pakistan, Samoa, South Africa, Sri Lanka, Swaziland, Uganda

IBM power cord part number	Used in these countries and regions
14F0033	Abu Dhabi, Bahrain, Botswana, Brunei Darussalam, Channel Islands, China (Hong Kong S.A.R.), Cyprus, Dominica, Gambia, Ghana, Grenada, Iraq, Ireland, Jordan, Kenya, Kuwait, Liberia, Malawi, Malaysia, Malta, Myanmar (Burma), Nigeria, Oman, Polynesia, Qatar, Saint Kitts and Nevis, Saint Lucia, Saint Vincent and the Grenadines, Seychelles, Sierra Leone, Singapore, Sudan, Tanzania (United Republic of), Trinidad and Tobago, United Arab Emirates (Dubai), United Kingdom, Yemen, Zambia, Zimbabwe
14F0051	Liechtenstein, Switzerland
14F0069	Chile, Italy, Libyan Arab Jamahiriya
14F0087	Israel
1838574	Antigua and Barbuda, Aruba, Bahamas, Barbados, Belize, Bermuda, Bolivia, Brazil, Caicos Islands, Canada, Cayman Islands, Costa Rica, Colombia, Cuba, Dominican Republic, Ecuador, El Salvador, Guam, Guatemala, Haiti, Honduras, Jamaica, Japan, Mexico, Micronesia (Federal States of), Netherlands Antilles, Nicaragua, Panama, Peru, Philippines, Taiwan, United States of America, Venezuela
24P6858	Korea (Democratic People's Republic of), Korea (Republic of)
34G0232	Japan
36L8880	Argentina, Paraguay, Uruguay
49P2078	India
49P2110	Brazil
6952300	Antigua and Barbuda, Aruba, Bahamas, Barbados, Belize, Bermuda, Bolivia, Caicos Islands, Canada, Cayman Islands, Colombia, Costa Rica, Cuba, Dominican Republic, Ecuador, El Salvador, Guam, Guatemala, Haiti, Honduras, Jamaica, Mexico, Micronesia (Federal States of), Netherlands Antilles, Nicaragua, Panama, Peru, Philippines, Saudi Arabia, Thailand, Taiwan, United States of America, Venezuela

Index

A

- accessing
 - browser-based interface 34
 - switch module
 - through browser-based interface 34
 - through external ports 29
 - through management module 24
 - through Telnet interface 36
 - Telnet interface 36
- acoustic attenuation module 16

B

- bay locations 11
- browser-based interface
 - enabling access 34
 - features 33
 - main menu 34
 - requirements 33
 - starting 34

C

- cable specifications 4
- case-sensitive data fields
 - accessing the switch module 34
 - management module 24, 26, 29
- Class A electronic emission notice 74
- command for
 - enabling access to browser-based interface 34
 - Telnet access 36
- components
 - information panel 19
 - major 10
- configuring the switch module
 - through the browser-based interface 33
 - through the Telnet interface 35
- connecting the Telnet interface to the switch module 35, 36
- connectors
 - descriptions 2
 - locations 19
- critical errors 48

D

- data transmission rates 2
- default IP address 21
- default remote-management mode 21

E

- electronic emission Class A notice 74
- enabling access to the browser-based interface 34
- enabling the external ports 26

- error
 - critical 48
 - LED 20
 - noncritical 48
- establishing a TCP/IP session
 - through external connectors 29
 - through management module 24
- Ethernet
 - cable specifications 4
 - connector descriptions 2
 - connector locations 19
 - GbE switch module error LED 20
 - interface requirements 11
 - link OK LED 20
 - standards 5
 - Tx/Rx LED 20
- external components 19
- external connectors
 - establishing a TCP/IP session 29
 - purpose 2
- external ports
 - accessing the switch module 29
 - enabling 26
 - location 19
 - remote management 21

F

- FCC Class A notice 74
- features 2, 33
- first-time connection to the switch module 37
- flash memory 4

G

- GbE switch module error LED 20
- general requirements 2

H

- handling static-sensitive devices 13

I

- I/O-module bays 11
- identification labels 10
- indicators 19
- information panel 19, 34
- installation
 - guidelines 12
 - illustration 15
 - procedure 15
- installing
 - options 12
 - switch module 15
- introduction 1

- IP address
 - default 21
 - format 34
 - location 34

L

- labels 10
- LEDs
 - Ethernet link OK 20
 - Ethernet Tx/Rx 20
 - front view 19
 - GbE switch module error 20
 - OK 20
- location
 - bays 11
 - connectors 19
 - IP address 34
 - LEDs 19
 - media access control (MAC) address 1, 10
 - ports 19
 - serial number 10
- logging on to the switch module
 - browser-based interface 34
 - Telnet interface 36
- login window
 - browser-based interface 34
 - Telnet interface 36

M

- MAC address
 - label 10
 - location 1
- main menu
 - browser-based interface 34
 - Telnet interface 36
- major components 10
- management features 33
- management module
 - establishing a TCP/IP session 24
 - logging on 24
- managing the switch module remotely 21
- media access control (MAC) address 10

N

- network management
 - browser-based 34
- non-volatile random-access memory (NVRAM) 36
- noncritical errors 48
- notes, important 72
- notices
 - electronic emission 74
 - FCC, Class A 74
 - used in this book 9

O

- obtaining the IP address for switch module 35
- OK LED 20
- options
 - I/O-module bays 11
 - installing 12

P

- password rules
 - management module 24, 26, 29
 - Telnet interface 34
- performance requirements 3
- ports
 - accessing the switch module 29
 - descriptions 2
 - locations 19
 - specifications 2
- power cords 76
- protocols 4

R

- real-time information-panel display 34
- remote access 21
- remote management 21
- removing
 - acoustic attenuation module 16
 - switch module 18
- requirements
 - connecting to the switch module 35, 36, 37
 - logging on to the switch module
 - browser-based interface 34
 - Telnet interface 36
 - starting the browser-based interface 34
 - starting the Telnet interface 36
 - using the browser-based interface 33
 - using the Telnet interface 35
- resetting the switch module 44
- restarting the switch module 44

S

- serial number 10
- software updates 41
- solving problems 47
- specifications
 - data transmission rates 2
 - network cable 4
 - performance requirements 3
 - ports 2
 - protocols 3, 4
 - standards 5
 - technical 2
- standards 5
- starting a new switch-module session 36
- starting the browser-based interface 34
- starting the Telnet interface 36
- static electricity 13
- static-sensitive devices, handling 13

- switch software
 - current level 41
 - latest level 42
 - upgrading 42
- switch-module software, updating 41
- system reliability 12
- system security
 - browser-based interface 34
 - management module 29
 - passwords 24, 26, 29, 41, 43
 - switch module 34

T

- TCP/IP session, establishing
 - through external switch-module connectors 29
 - through management module 24
- technical specifications 2
- Telnet
 - access 36
 - interface 35
 - main menu 36
 - usage conventions 35
- trademarks 72
- transmission rates 2
- troubleshooting 47

U

- United States electronic emission Class A notice 74
- United States FCC Class A notice 74
- updating the software 41
- using external connectors to establish a TCP/IP session 29
- using management module to establish a TCP/IP session 24

W

- Web site
 - BladeCenter Planning and Installation Guide 8
 - IBM products 1
- Web-based network management 33
- World Wide Web 1



Part Number: 13N0316

Printed in USA

(1P) P/N: 13N0316

