

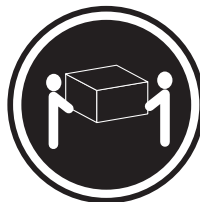
IBM TotalStorage DS4400 and DS4500 Rack Mounting Instructions

Before you install the IBM TotalStorage® DS4400 or DS4500 storage server in the rack, ensure that the following conditions are met:

- Review the documentation that comes with your rack cabinet.
- Maintain 15 cm (6 in.) of clearance around your controller unit for air circulation.
- Ensure the room air temperature is below 35° C (95° F).
- Plan the controller unit installation starting from the bottom of the rack.
- Remove the rack doors and side panels to provide easier access during installation.
- Position the template to the rack so that the edges of the template do not overlap any other devices.
- Use the attached stickers to mark the holes on the front and rear of the rack in the locations indicated by the arrows on the template.
- Connect all power cords to properly wired and grounded electrical outlets.
- Take precautions to prevent overloading the power outlets when you install multiple devices in a rack.



Use safe practices when lifting.



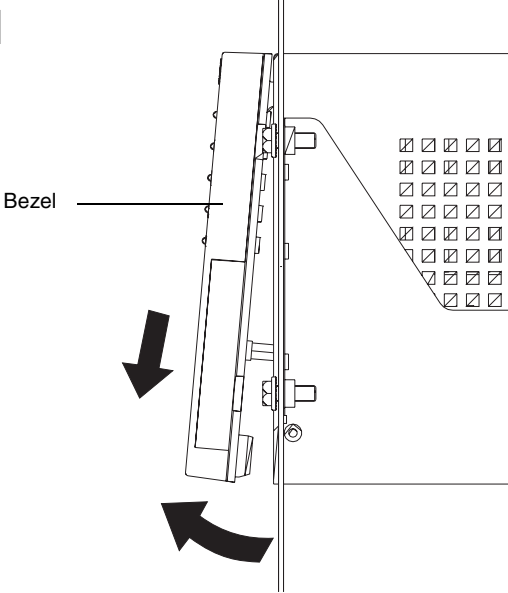
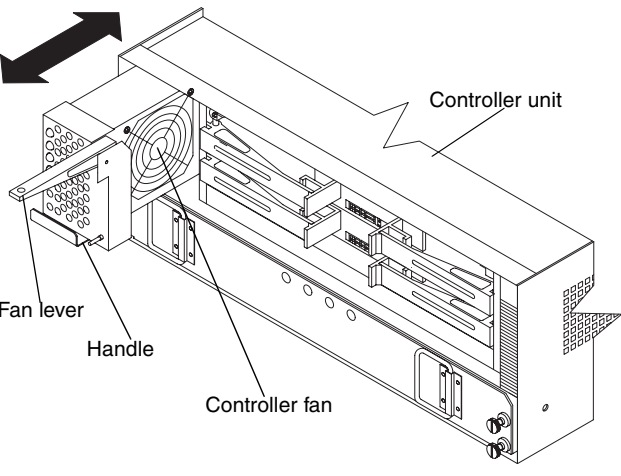
≥18 kg (37 lbs)



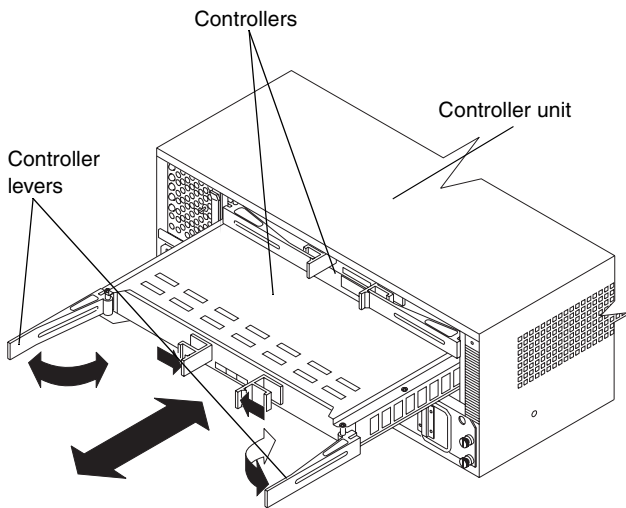
≥32 kg (70.5 lbs)

You will need a flat-blade and a Phillips screwdriver during the installation. The following is a list of items that come with your controller unit. If any items are missing or damaged, contact your place of purchase.

- Cage nuts (8)
- Clip nuts (8)
- Black M6 hex screws (8)
- Side rails (2)

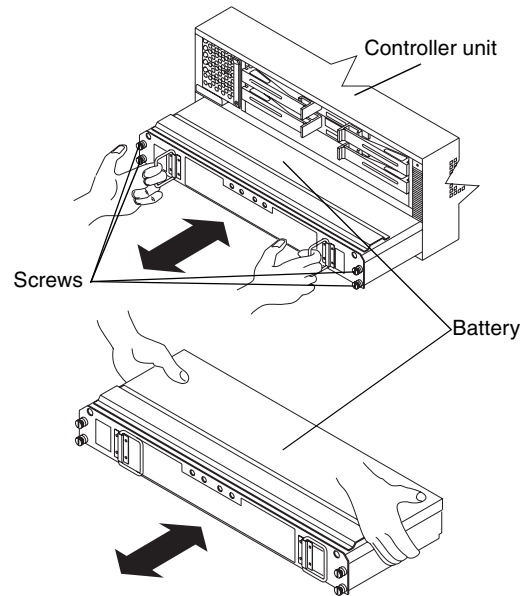
<p>1</p>  <p>Carefully pull out the bottom of the bezel on the front of the controller unit to release the pins; then, slide the bezel downward and set it aside for later.</p>	<p>2</p>  <p>Pull up on the controller fan lever to unlock it; then, grasp the fan handle and pull out firmly to remove the fan and save it for later reinstallation.</p>
---	--

3



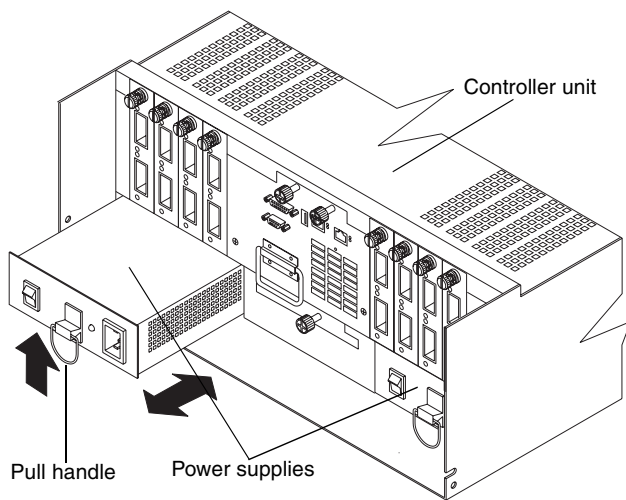
Unlock and open the controller levers; then, use the levers to pull the controller out slightly. Grasp both sides of the controller to remove and save it for later reinstallation. Repeat step **3** for each controller.

4



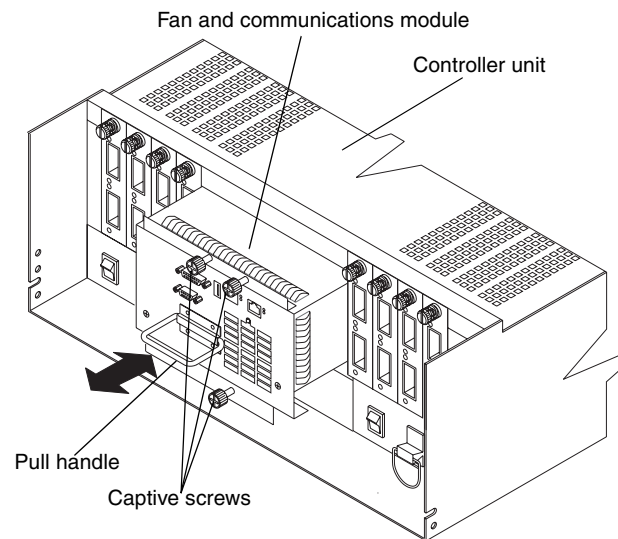
Loosen the four screws that secure the battery inside the controller unit; then, pull the battery out a few inches. Grasp both sides of the battery to remove it and save it for later reinstallation.

5



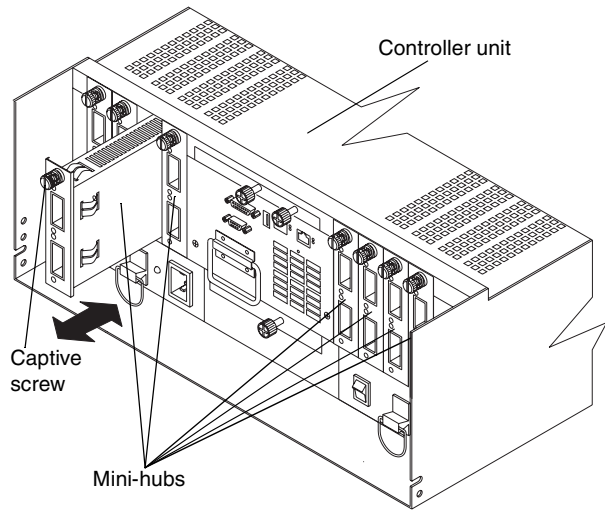
Using the pull handle on a power supply, lift up and pull to release the power supply; then, slide the power supply out and save it for later reinstallation. Repeat step **5** for each power supply.

6



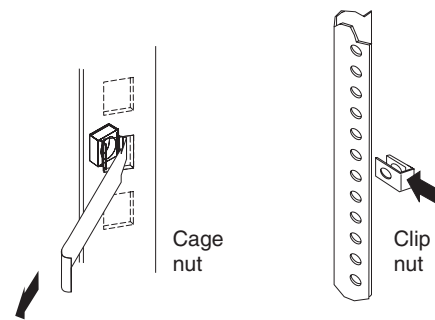
Loosen the three captive screws on the fan and communications module; then, grasp the pull handle and pull firmly to remove the module and save it for later reinstallation.

7



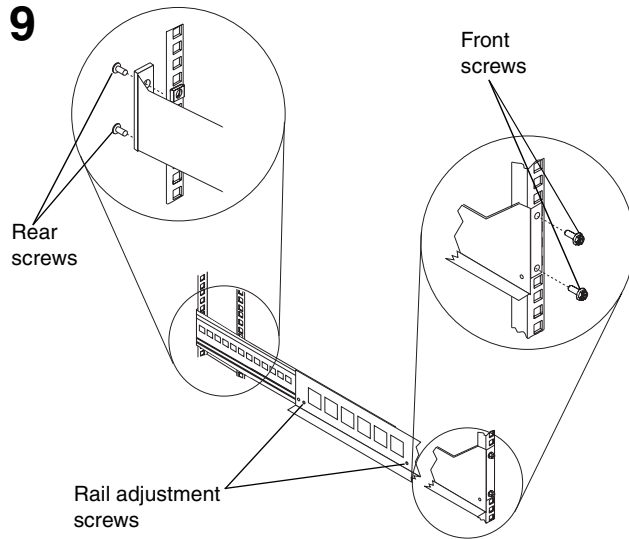
Loosen the captive screw on a mini-hub; then, grasp the screw to remove the mini-hub from the controller unit. Repeat step 7 for each mini-hub.

8



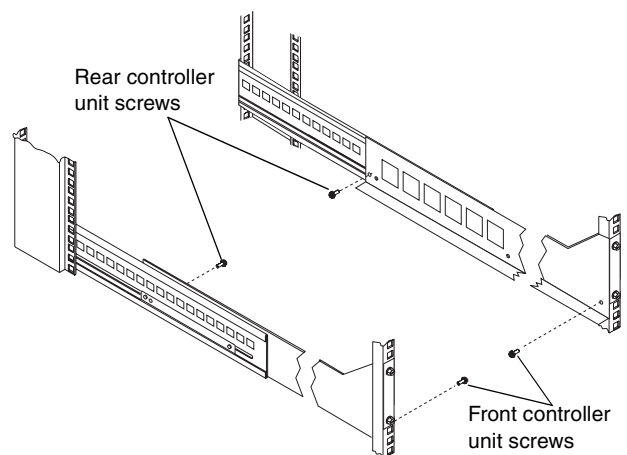
Insert cage nuts or slide clip nuts, as required for your rack, into all of the marked holes. Use the cage nut insertion tool or a flat-blade screwdriver to insert cage nuts.

9



On the rail marked **R**, loosen both screws on the inside of the rail; then, extend the rail outside the rear rack mounting flange. Hold the front of the rail against the outside of the rack mounting flange and loosely insert the two front screws; then, insert and tighten the two rear screws and adjustment screws. Repeat step 9 for the rail marked **L**.

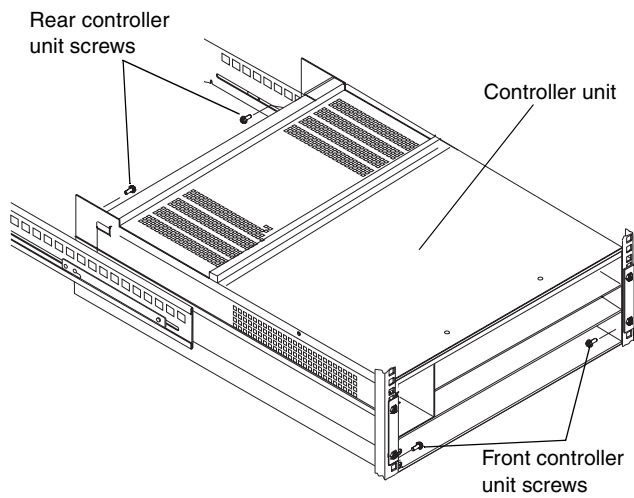
10



Remove the front and rear controller unit screws and save them to secure the controller unit to the rails.

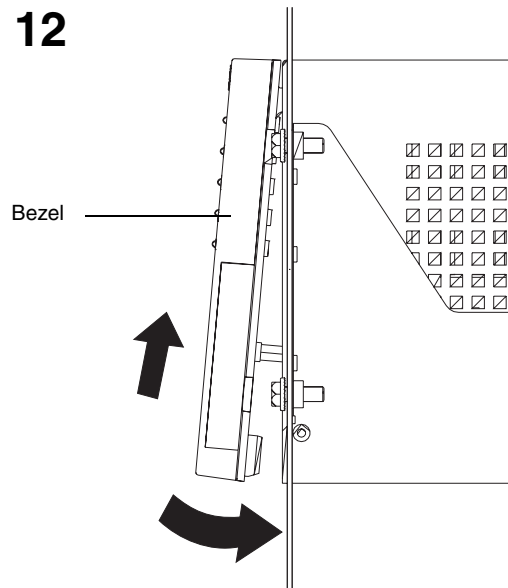
Note: Front screws and rear screws are different sizes. Keep them separate when you remove them.

11



Slide the controller unit into the rack; then, secure the rear of the controller unit with two of the screws removed in step 10. Secure the front of the unit with the other two screws.

12



Reverse step 2 through step 7 to reinstall all of the devices that you removed; then, reinstall the bezel by sliding the top edge under the lip on the controller unit. Push the bezel bottom until it snaps into place.

Refer to the documentation that comes with your controller unit for further information on configuring and operating your controller unit. Store these instructions with your storage server documentation for future use.

IBM and TotalStorage are trademarks of the IBM Corporation in the United States or other countries or both.

© Copyright International Business Machines Corporation 2005. All rights reserved.

Note to U.S. Government Users - Documentation related to restricted rights - Use, duplication or disclosure is subject to restrictions set forth in GSA ASP Schedule Contract with IBM Corp.



Part # 25R0405
Printed in U.S.A.