

Submit Comment	To Views	Expand	Collapse	QMX Help & Support	Printer Friendly
--------------------------------	--------------------------	------------------------	--------------------------	--	----------------------------------



M30 Packaging Instructions (6225, 6228) [Subscribe](#)..[Unsubscribe](#)

No. P-04207 Rev. 5 Production Date:

05/22/2006

STG - Systems

Owner: Jeffrey Miller

[Online Version is the Master](#)

▼ Procedure Description

▼ Procedure Text

NOTE: This document is designed to be used online. You are responsible to use only the “Production” version online.

IMPORTANT NOTICE: The Federal Aviation Administration requires certification that packages shipped by air do not contain explosives, hazardous materials, incendiaries or other destructive devices. Therefore, just prior to sealing the carton, you must inspect its contents to confirm that it contains only parts specified on the IBM bill of materials. If the contents meet specifications, then seal the carton with IBM logo tape or another tamper evident indicator specified on the bill of materials. The logo tape or tamper evident seal will indicate that the carton can be certified to meet FAA standards for air shipment. If you discover parts or devices that appear suspicious (whether or not potentially explosive), carefully secure the carton on the line and notify IBM management promptly.

- Information contained in this document is for reference purposes only.
- Process and Part Numbers may vary in each manufacturing location.
- Refer to local site procedures and Bill of Materials for any substitutions.
- No deviation is to be made to the overall assembly without prior written approval from the responsible Packaging Engineer.

Table of Contents

- Section 1 - Applicable Systems, MTM Table
- Section 2 - Unit Packaging
- Section 3 - Manufacturing Palletization
- Section 4 - Material Listing (BOM)

Section 1 - Applicable Systems, MTM Listing

These packaging instructions apply to the following machine types:

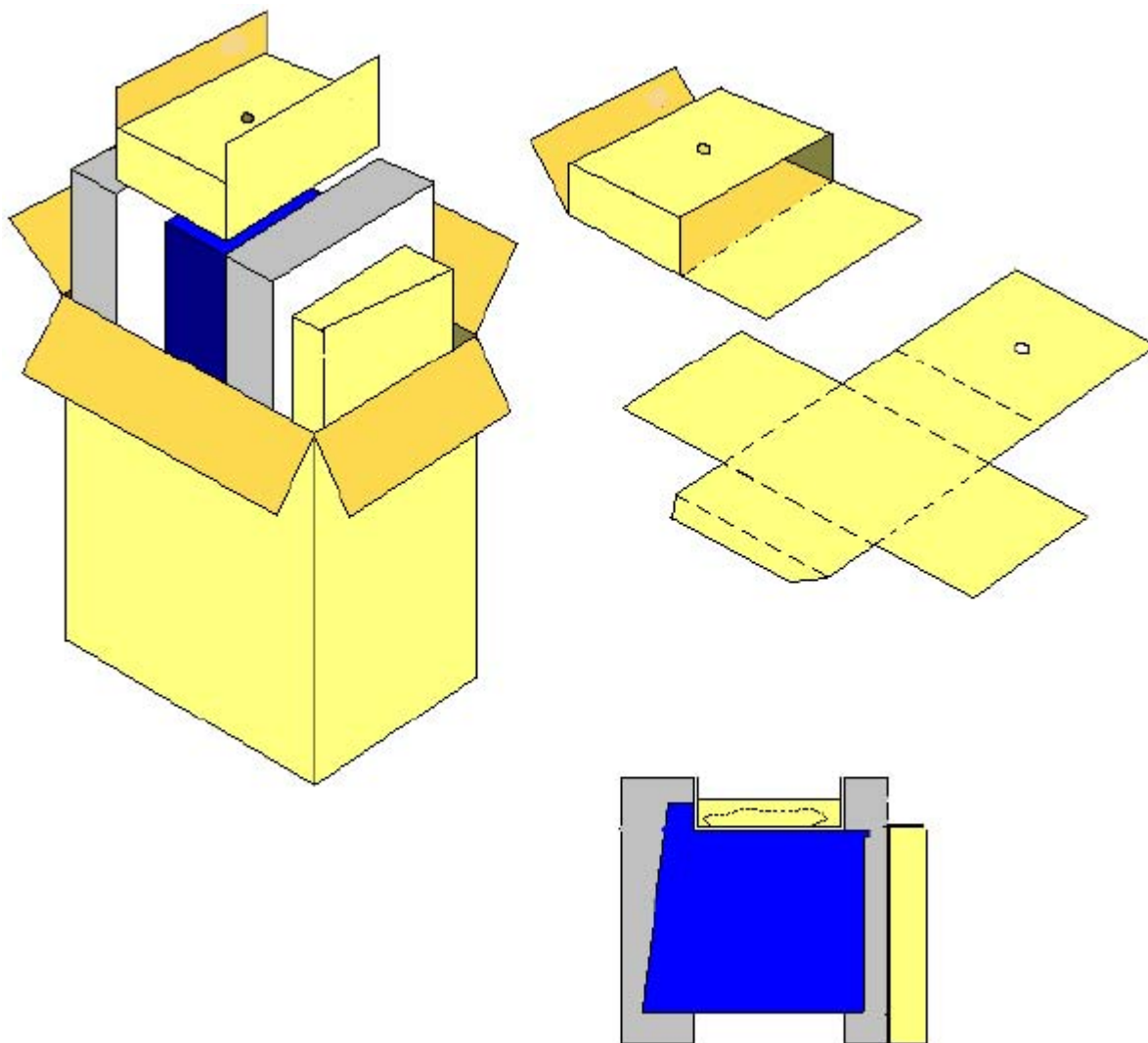
PWS

6225

6228

Section 2 - Unit Packaging

Reference Picture



Please note that some part numbers will reference a USI part number as well as an IBM part number. Use of either part number is acceptable, however, IBM will only be able to release IBM part numbers on BOMs.

2.1 - If not already done, erect the shipping carton 37L8086 (USI P/N 59-000480-00) and seal bottom flaps.

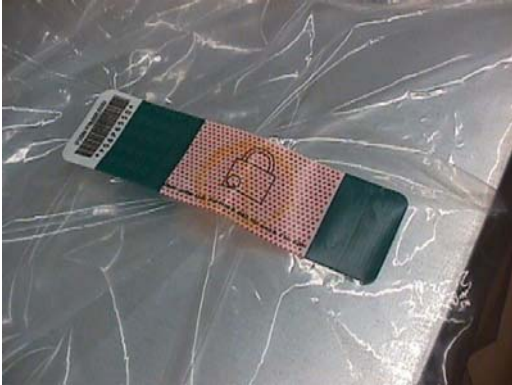
2.2 - Call machine to the packaging station. Verify the feet of unit are secure, verify unit is cosmetically clean and cover is correctly installed. Rotate machine and inspect all sides.

2.3 - Place bag 00K7781, or 8119429, or 900315 over the unit. (see illustration below).

Note: Bag part number can vary depending on geography, and availability. Refer to Packaging BOM for clarification.



2.4 Fold bag over, and seal bag closed with 06P6550 padlock label. (illustrated below).



2.5 - Remove labels from the printer and apply one carton label to the long side (length) panel using the tick mark provided. Align the bottom of the carton label with the bottom edge of the tick mark. With the carton on its side and while facing the length panel with label (just applied), apply second carton label to the adjacent short side (width) panel to the immediate right. Align the bottom of the carton label with the bottom edge of the tick mark. Orient the carton so its opening faces upwards.

2.6 - **If required:** Place "Choose and Recover Label" (06P7110) above carton label on the long side (length) panel. (See 2 illustrations below).



2.7 Place Front cushion 32R0013 (optional: fabricated cushion - 37L8082) on front of system.

2.8 Place Rear cushion 32R0014 (optional: fabricated cushion - 37L8083) on rear of system.

Note: Fabricated cushions are depicted in illustrations.

Note: Fabricated cushions should only be used in the event that molded cushions are unavailable. If fabricated cushions need to be used, notify IBM Packaging Engineering immediately.

2.9 Place cushioned system into bottom of carton with the top of the system facing upwards.



2.10 Place keyboard carton between the end of the carton and the rear of the PC. If no keyboard is called out use empty carton 25P1068.

NOTE: A keyboard or filler must be used and placed next to the rear of the system. If keyboard is placed in a different location, or if a filler box is not used, the system will be damaged during shipment.



2.11 Add accessories to shipgroup tray 37L8087 (USI P/N 59-200606-00).



2.12 Place shipgroup tray on top of system as depicted below.

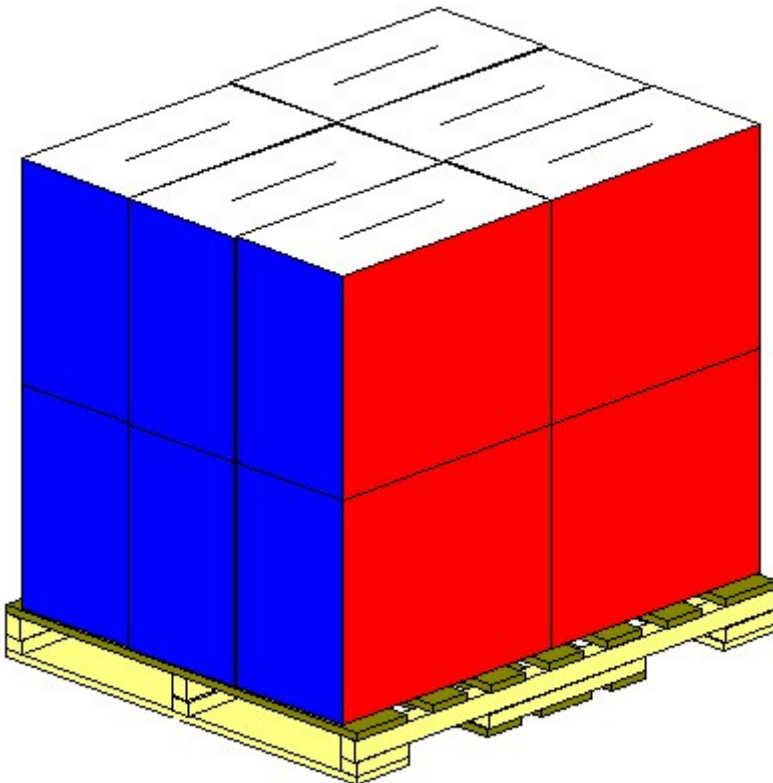


2.13 Close and seal carton with IBM logo tape 74F5698 or 74F5699.

Section 3 - Manufacturing Palletization

3.1 - Worldwide Palletization

3.1.1 - Place 12 systems on a full size pallet.



3.1.2 - Secure load to pallet utilizing palletization methods detailed out in the extended BOM.

3.1.3 - Place two pallet labels (33G6283) on the front and left sides of the pallet load.

3.1.4 - Label load for shipment as necessary.

3.2.2 -Place two pallet labels on the front and left sides of the pallet load.

Worldwide

Quantity	Half Pallet	Full Pallet	Ship Individual	Empty Box w/ Label
1 - 2			X	
3	X			
4		X		2
5		X		1
6		X		
7 - 8		X	1 - 2	
9	X			
10		X		2
11		X		1
12		X		

3.2.4 - Label load for shipment as necessary.

Section 4.0 Materials BOM Reference

Refer to BOM in PM for current BOM listing and BOM structure.

WW Common Parts BOM - 25P1087 Lists only IBM P/Ns.

Part Number	Description	Qty
37L8086	Outer Carton	1
32R0013	Front Molded Cushion	1
32R0014	Rear Molded Cushion	1
37L8087	Shipgroup Carton	1
00K7781 8119429 9000315	Bag (geo dependant, refer to BOM for detail)	1
33G9780	Label	2

06P6550*	Padlock Label	1
74F5698 or 74F5699	IBM Logo Tape	As needed
37L8082	Fabricated front cushion (optional)	as needed (1)
37L8083	Fabricated rear cushion (optional)	as needed (1)

* Indicates part number not on WW common parts, but in appropriate Local BOM.

- ▶ **General Information**
- ▶ **Summary of Changes**
- ▼ **Approval Information**

Date Approved	Approved By
05/22/2006	See Library Control database for approval information.

© 2006 IBM Corporation, All Rights Reserved Worldwide

End of Document