

ThinkCentre

Safety and Warranty Guide

Inside

- **Important safety information**
- **Information resources**
- **Warranty and other notices**
- **Customer Replacement Units (CRUs)**

ThinkCentre

Safety and Warranty Guide

Note:

Before using this information and the product it supports, be sure to read the following:

- Chapter 1, "Important safety information," on page 11
- Chapter 3, "Lenovo Statement of Limited Warranty," on page 29
- Chapter 5, "Notices," on page 71

Third Edition (February 2007)

© Copyright Lenovo 2005, 2006.

Portions © Copyright International Business Machines Corporation 2005.

All rights reserved.

U.S. GOVERNMENT USERS – RESTRICTED RIGHTS: Our products and/or services are provided with RESTRICTED RIGHTS. Use, duplication or disclosure by the Government is subject to the GSA ADP Schedule contract with Lenovo Group Limited, if any, or the standard terms of this commercial license, or if the agency is unable to accept this Program under these terms, then we provide this Program under the provisions set forth in Commercial Computer Software–Restricted Rights at FAR 52.227-19, when applicable, or under Rights in Data-General, FAR 52.227.14 (Alternate III).

Contents

Chapter 1. Important safety information11
Conditions that require immediate action11
General safety guidelines12
Service and upgrades12
Static electricity prevention13
Power cords and power adapters14
Voltage-selection switch.15
Extension cords and related devices15
Plugs and outlets15
External devices16
Batteries16
Heat and product ventilation17
Operating environment.18
Electrical current safety information18
Lithium battery notice19
Modem safety information20
Laser compliance statement20
Power supply statement21
Products with television tuner options installed21
Note to CATV system installer21
Example of antenna grounding22
Data safety23
Cleaning and maintenance24
Using headphones or earphones24
Additional safety information24
Chapter 2. Information resources25
Online Books folder25
ThinkVantage Productivity Center26
Access Help26
www.lenovo.com26
Recording your computer information27
Chapter 3. Lenovo Statement of Limited Warranty29
Part 1 - General Terms.29
Part 2 - Country-unique Terms33
Part 3 - Warranty Information46
Warranty Period.46
Types of Warranty Service62
Worldwide telephone list64
Guarantee supplement for Mexico68
Chapter 4. Customer Replacement Units (CRUs)69

Chapter 5. Notices	71
Television output notice	72
Trademarks	72
Electronic emissions notices	73
Federal Communications Commission (FCC) Declaration of Conformity	73
Industry Canada Class B emission compliance statement	74
European Union EMC Directive conformance statement	74
Korean Class B statement	74
Japanese VCCI Class B statement	74
Japanese compliance for products less than or equal to 20A per phase	74
Lenovo product service information for Taiwan	75
Federal Communications Commission (FCC) and telephone company requirements	75
Canadian Department of Communications certification label	76
Power cord notice	77
Polyvinyl Chloride (PVC) cable and cord notice	79
Waste electrical and electronic equipment (WEEE) notices	79
European Union (EU) WEEE statement	79
Japanese recycling statement	80
Collecting and recycling a disused Lenovo computer or monitor	80
Disposing of a Lenovo computer component	80
Disposing of disused lithium batteries from Lenovo computers	80

Table des matières

Avis aux lecteurs canadiens	81
Chapitre 1. Consignes de sécurité	85
Conditions qui nécessitent une action immédiate	85
Consignes générales de sécurité	87
Maintenance et mises à niveau	87
Protection antistatique	88
Cordons et adaptateurs d'alimentation.	89
Commutateur de sélection de tension	89
Prolongateurs et dispositifs associés	90
Fiches et prises	90
Périphériques externes	91
Piles et batteries	91
Chaleur et ventilation des produits	92
Environnement d'exploitation.	93
Informations relatives à la sécurité du courant électrique	94
Pile au lithium	95
Informations relatives au modem	95
Conformité aux normes relatives aux appareils à laser	96
Instruction concernant le bloc d'alimentation	97
Produits disposant de syntoniseurs TV	97
Remarque à l'intention des installateurs de systèmes CATV	97
Exemple de mise à la terre d'une antenne	98
Sécurité des données	99
Entretien et maintenance	100
Utilisation de casques et d'écouteurs	100
Autres consignes de sécurité.	100
Chapitre 2. Sources d'informations.	101
Dossier Documentation électronique	101
ThinkVantage Productivity Center.	102
Access Help	102
www.lenovo.com	103
Tableau d'informations	103
Chapitre 3. Déclaration de Garantie Lenovo.	105
Chapitre 1 - Dispositions générales	105
Chapitre 2 - Dispositions nationales particulières	109
CHAPITRE 3 - Informations relatives à la Garantie	124
Période de garantie.	124
Types de services prévus par la garantie.	143
Liste de numéros de téléphone pour le monde entier	145
Annexe à la Garantie pour le Mexique	149

Chapitre 4. Unités remplaçables par l'utilisateur (CRU).	67
Chapitre 5. Remarques	69
Consigne relative à la sortie télévision	70
Marques	70
Bruits radioélectriques.	71
Déclaration de conformité de la Federal Communications Commission (FCC)	71
Avis de conformité à la réglementation d'Industrie Canada pour la classe B	72
Avis de conformité à la directive de l'Union Européenne	72
Corée - Avis de conformité pour la classe B.	72
Japon - Avis de conformité aux exigences du Voluntary Control Council for Interference (VCCI) pour la classe B	73
Avis de conformité aux normes japonaises pour les produits dont l'intensité est inférieure ou égale à 20 A par phase	73
Taïwan - Informations de maintenance pour les produits Lenovo	73
Recommandations de la Federal Communications Commission (FCC) et des entreprises de télécommunications [Etats Unis]	73
Recommandation d'Industrie Canada	74
Cordons d'alimentation	75
Cordons d'alimentation et câbles sous enveloppe de PVC (chlorure de polyvinyle).	78
Déchets d'Equipements Electriques et Electroniques (DEEE)	78
Avis de conformité à la directive DEEE de l'Union Européenne	78
Japon - Déclaration relative au recyclage.	79
Collecte et recyclage d'un ordinateur ou d'un écran Lenovo usagé	79
Mise au rebut de composants d'ordinateur Lenovo	79
Mise au rebut des piles au lithium usagées des ordinateurs Lenovo	79

Inhaltsverzeichnis

Kapitel 1. Wichtige Sicherheitshinweise165
Situationen, die sofortige Maßnahmen erfordern165
Allgemeine Sicherheitsrichtlinien167
Service und Upgrades167
Statische Aufladung vermeiden168
Netzkabel und Netzteile169
Spannungsauswahlschalter170
Verlängerungskabel und verwandte Einheiten170
Netzstecker und Steckdosen171
Externe Einheiten.171
Batterien und Akkus.172
Erwärmung und Lüftung des Produkts172
Betriebsumgebung173
Sicherheitshinweise zur elektrischen Sicherheit174
Hinweis zur Lithiumbatterie.175
Sicherheitshinweise zu Modems176
Lasersicherheit176
Hinweise zu Netzteilen177
Produkte mit installierter TV-Empfangeinheit.177
Hinweis an Installationsverantwortliche für Kabel-/CATV-Systeme.177
Beispiel für die Erdung der Antenne178
Datensicherheit179
Reinigung und Wartung180
Verwendung von Kopf- und Ohrhörern180
Zusätzliche Sicherheitshinweise.180
Kapitel 2. Informationsquellen181
Ordner "Online Books"181
ThinkVantage Productivity Center182
Access Help182
www.lenovo.com183
Computerdaten notieren183
Kapitel 3. Lenovo Gewährleistung185
Teil 1 - Allgemeine Bestimmungen.185
Teil 2 - Länderspezifische Bestimmungen189
Teil 3 - Gewährleistungsinformationen205
Gewährleistungszeitraum.205
Art des Gewährleistungsservice205
Liste der weltweit gültigen Telefonnummern207
Ergänzung zu den Gewährleistungsbestimmungen für Mexiko211
Kapitel 4. CRUs (Customer Replacement Units)213

Kapitel 5. Bemerkungen	237
Hinweise zur TV-Ausgabe	238
Marken.	239
Hinweise zur elektromagnetischen Verträglichkeit	239
FCC-Konformitätserklärung (Federal Communications Commission)	239
Kanada - Hinweis zur elektromagnetischen Verträglichkeit (Klasse B)	240
EU-Richtlinie zur elektromagnetischen Verträglichkeit	240
Lenovo Produktserviceinformationen für Taiwan	241
Federal Communications Commission (FCC) and telephone company requirements	241
Canadian Department of Communications certification label	242
Hinweise zu Netzkabeln	245
Hinweis zu Elektro- und Elektronikaltgeräten (WEEE)	245
EU-Hinweis zu Elektro- und Elektronikaltgeräten (WEEE).	245

Indice

Capitolo 1. Informazioni importanti sulla sicurezza	. 247
Condizioni che richiedono un intervento immediato	. 247
Indicazioni di sicurezza generali	. 248
Servizio ed aggiornamenti	. 249
Prevenzione dell'elettricità statica	. 250
Cavi e adattatori di alimentazione	. 250
Interruttore di selezione del voltaggio	. 251
Cavi di estensione e dispositivi correlati	. 252
Spine e prese	. 252
Periferiche esterne	. 253
Batterie	. 253
Surriscaldamento e ventilazione del prodotto	. 254
Ambiente di lavoro	. 255
Informazioni sulla sicurezza della corrente elettrica	. 255
Avviso sulla batteria al litio	. 256
Informazioni sulla sicurezza del modem	. 257
Dichiarazione di conformità relativa al laser	. 257
Alimentatore	. 258
Prodotti con installato sintonizzatore TV	. 258
Nota per gli installatori di sistemi CATV	. 259
Esempio di messa a terra di una antenna	. 259
Sicurezza dei dati	. 260
Pulizia e manutenzione	. 261
Utilizzo di cuffie o auricolari	. 261
Ulteriori informazioni sulla sicurezza	. 261
Capitolo 2. Informazioni	. 263
Cartella Online Books	. 263
ThinkVantage Productivity Center	. 264
Accesso all'Help	. 264
www.lenovo.com	. 264
Registrazione delle informazioni del computer	. 265
Capitolo 3. Dichiarazione di garanzia limitata Lenovo	. 267
Parte 1 - Disposizioni Generali	. 267
Parte 2 - Clausole specifiche ai singoli paesi	. 271
Parte 3 - Informazioni sulla garanzia	. 294
Periodo di garanzia	. 295
Tipi di servizio di garanzia	. 301
Elenco telefonico internazionale	. 303
Integrazione di Garanzia per il Messico	. 306
Capitolo 4. CRU (Customer Replacement Unit)	. 309

Capitolo 5. Informazioni particolari	229
Informazioni particolari sull'uscita TV	230
Marchi	232
Informazioni sulle emissioni elettromagnetiche	233
Dichiarazione di conformità FCC (Federal Communications Commission)	233
Dichiarazione di conformità industriale delle emissioni di Classe B per il	
Canada	234
Dichiarazione di conformità per la comunità europea	234
Dichiarazione di Classe B per la Corea	234
Dichiarazione di Classe B VCCI per il Giappone	234
Conformità per il Giappone per i prodotti inferiori o uguali a 20A per	
fase	235
Informazioni sull'assistenza dei prodotti Lenovo per Taiwan	235
Federal Communications Commission (FCC) and telephone company	
requirements	235
Canadian Department of Communications certification label	236
Informazioni relative ai cavi di alimentazione	237
Informazioni sui cavi PVC (Polyvinyl Chloride)	239
Informazioni particolari su WEEE (waste electrical and electronic	
equipment).	239
Dichiarazione WEEE EU (European Union).	239
Dichiarazione di riciclo per il Giappone	240
Raccolta e riciclo di video o computer Lenovo in disuso	240
Smaltimento di un componente di un computer Lenovo	240
Smaltimento di batterie al litio in disuso da computer Lenovo	240

Inhoudsopgave

Hoofdstuk 1. Belangrijke veiligheidsinformatie	.323
Situaties waarin onmiddellijk handelen vereist is	.323
Algemene veiligheidsrichtlijnen	.324
Service en upgrades	.325
Voorkoming van statische elektriciteit	.326
Netsnoeren en voedingsadapters	.326
Voltageschakelaar	.327
Verlengsnoeren en aanverwante apparaten	.328
Stekkers en stopcontacten	.328
Externe apparatuur	.329
Batterijen	.329
Warmteproductie en ventilatie	.329
Gebruiksomgeving	.331
Veiligheidsvoorschriften voor de elektriciteit	.331
Kennisgeving lithiumbatterij	.332
Veiligheidsvoorschriften voor de modem	.333
Verklaring van conformiteit met laserrichtlijnen	.333
Kennisgeving voedingseenheid	.334
Producten met televisietuneropties	.334
Opmerking voor systeeminstallateur van kabel-TV	.334
Voorbeeld van aarding van de antenne	.335
Veilig omgaan met gegevens	.336
Reiniging en onderhoud	.337
Hoofdtelefoons of oortelefoons gebruiken	.337
Aanvullende veiligheidsinformatie	.337
Hoofdstuk 2. Informatiebronnen	.339
Map Online Boeken	.339
ThinkVantage Productivity Center	.340
Access Help	.340
www.lenovo.com	.341
Computergegevens noteren	.341
Hoofdstuk 3. Lenovo Verklaring van Beperkte Garantie	.343
Deel 1 - Algemene voorwaarden	.343
Deel 2 - Landspecifieke voorwaarden	.347
Deel 3 - Garantie-informatie	.362
Garantieperiode	.362
Typen garantieservice	.379
Internationale lijst van telefoonnummers	.381
Garantiesupplement voor Mexico	.384
Hoofdstuk 4. Door de klant vervangbare onderdelen (CRU's)	.387

Hoofdstuk 5. Kennisgevingen	391
Kennisgeving televisieuitvoer	392
Handelsmerken	392
Elektronische emissie	393
Verklaring van de Federal Communications Commission (FCC)	393
Verklaring van conformiteit met industriële emissierichtlijn Canada Klasse B.	394
Verklaring van conformiteit met EU-richtlijnen	394
Korea: Kennisgeving Klasse B	394
Japan: Kennisgeving VCCI-klasse B	395
Japan: Naleving voor producten met maximaal 20A per fase	395
Taiwan: Informatie over Lenovo productservice	395
Vereisten van de Federal Communications Commission (FCC) en telefoonmaatschappijen	395
Waarmerk van het Canadian Department of Communications	396
Kennisgevingen voor het netsnoer.	397
Kennisgeving voor PVC-kabels en -snoeren.	399
WEEE-kennisgevingen (Waste Electrical and Electronic Equipment).	399
WEEE-verklaring voor de Europese Unie (EU).	400
Recyclingverklaring voor Japan.	400
Ophalen en recyclen van een Lenovo-computer of -monitor die niet meer wordt gebruikt	400
Een onderdeel van een Lenovo-computer weggooien	401
Gebruikte lithiumbatterijen uit een Lenovo-computer weggooien	401

Chapter 1. Important safety information

Note

Please read important safety information first.

This information can help you safely use your desktop or notebook personal computer. Follow and retain all information included with your computer. The information in this document does not alter the terms of your purchase agreement or the Lenovo™ Limited Warranty. For more information, refer to Chapter 3, “Lenovo Statement of Limited Warranty,” on page 29.

Customer safety is important. Our products are developed to be safe and effective. However, personal computers are electronic devices. Power cords, power adapters, and other features can create potential safety risks that can result in physical injury or property damage, especially if misused. To reduce these risks, follow the instructions included with your product, observe all warnings on the product and in the operating instructions, and review the information included in this document carefully. By carefully following the information contained in this document and provided with your product, you can help protect yourself from hazards and create a safer computer work environment.

Note: This information includes references to power adapters and batteries. In addition to notebook computers, some products (such as speakers and monitors) ship with external power adapters. If you have such a product, this information applies to your product. In addition, computer products contain a coin-sized internal battery that provides power to the system clock even when the computer is unplugged, so the battery safety information applies to all computer products.

Conditions that require immediate action

Products can become damaged due to misuse or neglect. Some product damage is serious enough that the product should not be used again until it has been inspected and, if necessary, repaired by an authorized servicer.

As with any electronic device, pay close attention to the product when it is turned on. On very rare occasions, you might notice an odor or see a puff of smoke or sparks vent from your product. Or you might hear sounds like popping, cracking, or hissing. These conditions might merely mean that an internal electronic component has failed in a safe and controlled manner. Or, they might indicate a potential safety issue. However, do not take risks or attempt to diagnose the situation yourself. Contact the Customer Support

Center for further guidance. For a list of Service and Support phone numbers, see “Worldwide telephone list” on page 64.

Frequently inspect your computer and its components for damage, wear, or signs of danger. If you have any question about the condition of a component, do not use the product. Contact the Customer Support Center or the product manufacturer for instructions on how to inspect the product and have it repaired, if necessary.

In the unlikely event that you notice any of the following conditions, or if you have any safety concerns with your product, stop using the product and unplug it from the power source and telecommunication lines until you can speak to the Customer Support Center for further guidance.

- Power cords, plugs, power adapters, extension cords, surge protectors, or power supplies that are cracked, broken, or damaged.
- Signs of overheating, smoke, sparks, or fire.
- Damage to a battery (such as cracks, dents, or creases), discharge from a battery, or a buildup of foreign substances on the battery.
- A cracking, hissing, or popping sound, or strong odor that comes from the product.
- Signs that liquid has been spilled or an object has fallen onto the computer product, the power cord, or power adapter.
- The computer product, power cord, or power adapter has been exposed to water.
- The product has been dropped or damaged in any way.
- The product does not operate normally when you follow the operating instructions.

Note: If you notice these conditions with a product (such as an extension cord) that is not manufactured for or by Lenovo, stop using that product until you can contact the product manufacturer for further instructions, or until you get a suitable replacement.

General safety guidelines

Always observe the following precautions to reduce the risk of injury and property damage.

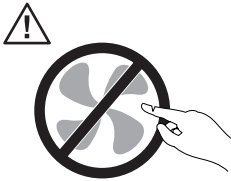
Service and upgrades

Do not attempt to service a product yourself unless instructed to do so by the Customer Support Center or your documentation. Only use a service provider who is approved to repair your particular product.

Note: Some computer parts can be upgraded or replaced by the customer. Upgrades typically are referred to as options. Replacement parts approved for customer installation are referred to as Customer Replaceable Units, or CRUs. Lenovo provides documentation with instructions when it is appropriate for customers to install options or replace CRUs. You must closely follow all instructions when installing or replacing parts. The Off state of a power indicator does not necessarily mean that voltage levels inside a product are zero. Before you remove the covers from a product equipped with an ac power cord, always make sure that the power is turned off and that the product is unplugged from any power source. For more information on CRUs, refer to the User Guide for this product. If you have any questions or concerns, contact the Customer Support Center.

Although there are no moving parts in your computer after the power cord has been disconnected, the following warnings are required for your safety.

Danger



Hazardous moving parts. Keep fingers and other body parts away.

Attention



Before replacing any CRUs, turn off the computer and wait three to five minutes to let the computer cool before opening the cover.

Static electricity prevention

Static electricity, although harmless to you, can seriously damage computer components and options. Improper handling of static-sensitive parts can cause damage to the part. When you unpack an option or CRU, do not open the static-protective package containing the part until the instructions direct you to install it.

When you handle options or CRUs, or perform any work inside the computer, take the following precautions to avoid static-electricity damage:

- Limit your movement. Movement can cause static electricity to build up around you.
- Always handle components carefully. Handle adapters, memory modules, and other circuit boards by the edges. Never touch exposed circuitry.
- Prevent others from touching components.
- When you install a static-sensitive option or CRU, touch the static-protective package containing the part to a metal expansion-slot cover or other unpainted metal surface on the computer for at least two seconds. This reduces static electricity in the package and your body.
- When possible, remove the static-sensitive part from the static-protective packaging and install the part without setting it down. When this is not possible, place the static-protective packaging on a smooth, level surface and place the part on it.
- Do not place the part on the computer cover or other metal surface.

Power cords and power adapters

Use only the power cords and power adapters supplied by the product manufacturer.

The power cords shall be safety approved. For Germany, it shall be H05VV-F, 3G, 0.75 mm², or better. For other countries, the suitable types shall be used accordingly.

Never wrap a power cord around a power adapter or other object. Doing so can stress the cord in ways that can cause the cord to fray, crack, or crimp. This can present a safety hazard.

Always route power cords so that they will not be walked on, tripped over, or pinched by objects.

Protect power cord and power adapters from liquids. For instance, do not leave your power cord or power adapter near sinks, tubs, toilets, or on floors that are cleaned with liquid cleansers. Liquids can cause a short circuit, particularly if the power cord or power adapter has been stressed by misuse. Liquids also can cause gradual corrosion of power cord terminals and/or the connector terminals on a power adapter, which can eventually result in overheating.

Always connect power cords and signal cables in the correct order and ensure that all power cord connectors are securely and completely plugged into receptacles.

Do not use any power adapter that shows corrosion at the ac input pins or shows signs of overheating (such as deformed plastic) at the ac input or anywhere on the power adapter.

Do not use any power cords where the electrical contacts on either end show signs of corrosion or overheating or where the power cord appears to have been damaged in any way.

Voltage-selection switch

Some computers are equipped with a voltage-selection switch located near the power-cord connection point on the computer. If your computer has a voltage-selection switch, ensure that you set the switch to match the voltage available at your electrical outlet. Setting the voltage-selection switch incorrectly can cause permanent damage to the computer.

If your computer does not have a voltage-selection switch, your computer is designed to operate only at the voltage provided in the country or region where the computer was originally purchased.

If you relocate your computer to another country, be aware of the following:

- If your computer does not have a voltage-selection switch, do not connect the computer to an electrical outlet until you have verified that the voltage provided is the same as it was in the country or region where the computer was originally purchased.
- If your computer has a voltage selection switch, do not connect the computer to an electrical outlet until you have verified that the voltage-selection switch is set to match the voltage provided in that country or region.

If you are not sure of the voltage provided at your electrical outlet, contact your local electric company or refer to official Web sites or other literature for travelers to the country or region where you are located.

Extension cords and related devices

Ensure that extension cords, surge protectors, uninterruptible power supplies, and power strips that you use are rated to handle the electrical requirements of the product. Never overload these devices. If power strips are used, the load should not exceed the power strip input rating. Consult an electrician for more information if you have questions about power loads, power requirements, and input ratings.

Plugs and outlets

If a receptacle (power outlet) that you intend to use with your computer equipment appears to be damaged or corroded, do not use the outlet until it is replaced by a qualified electrician.

Do not bend or modify the plug. If the plug is damaged, contact the manufacturer to obtain a replacement.

Do not share an electrical outlet with other home or commercial appliances that draw large amounts of electricity; otherwise, unstable voltage might damage your computer, data, or attached devices.

Some products are equipped with a three-pronged plug. This plug fits only into a grounded electrical outlet. This is a safety feature. Do not defeat this safety feature by trying to insert it into a non-grounded outlet. If you cannot insert the plug into the outlet, contact an electrician for an approved outlet adapter or to replace the outlet with one that enables this safety feature. Never overload an electrical outlet. The overall system load should not exceed 80 percent of the branch circuit rating. Consult an electrician for more information if you have questions about power loads and branch circuit ratings.

Be sure that the power outlet you are using is properly wired, easily accessible, and located close to the equipment. Do not fully extend power cords in a way that will stress the cords.

Be sure that the power outlet provides the correct voltage and current for the product you are installing.

Carefully connect and disconnect the equipment from the electrical outlet.

External devices

Do not connect or disconnect any external device cables other than USB and 1394 cables while the computer power is on; otherwise, you might damage your computer. To avoid possible damage to attached devices, wait at least five seconds after the computer is shut down to disconnect external devices.

Batteries

All personal computers manufactured by Lenovo contain a non-rechargeable coin cell battery to provide power to the system clock. In addition, many mobile products, such as notebook computers, utilize a rechargeable battery pack to provide system power when in portable mode. Batteries supplied by Lenovo for use with your product have been tested for compatibility and should only be replaced with approved parts.

Never attempt to open or service any battery. Do not crush, puncture, or incinerate batteries or short circuit the metal contacts. Do not expose the battery to water or other liquids. Only recharge the battery pack strictly according to instructions included in the product documentation.

Battery abuse or mishandling can cause the battery to overheat, which can cause gasses or flame to “vent” from the battery pack or coin cell. If your battery is damaged, or if you notice any discharge from your battery or the buildup of foreign materials on the battery leads, stop using the battery and obtain a replacement from the battery manufacturer.

Batteries can degrade when they are left unused for long periods of time. For some rechargeable batteries (particularly Lithium Ion batteries), leaving a battery unused in a discharged state could increase the risk of a battery short circuit, which could shorten the life of the battery and can also pose a safety hazard. Do not let rechargeable Lithium-Ion batteries completely discharge or store these batteries in a discharged state.

Heat and product ventilation

Computers, AC adapters, and many accessories can generate heat when turned on and when batteries are charging. Always follow these basic precautions:

- Do not leave your computer, AC adapter, or accessories in contact with your lap or any part of your body for an extended period when the products are functioning or when the battery is charging. Your computer, AC adapter, and many accessories produce some heat during normal operation. Extended contact with the body could cause discomfort or, potentially, a skin burn.
- Do not charge the battery or operate your computer, AC adapter, or accessories near flammable materials or in explosive environments.
- Ventilation slots, fans, and heat sinks are provided with the product for safety, comfort, and reliable operation. These features might inadvertently become blocked by placing the product on a bed, sofa, carpet, or other flexible surface. Never block, cover, or disable these features.

Inspect your desktop computer for dust accumulation at least once every three months. Before inspecting your computer, turn off the power and unplug the computer’s power cord from the electrical outlet; then remove any dust from vents and perforations in the bezel. If you notice external dust accumulation, then examine and remove dust from the inside of the computer including heat sink inlet fins, power supply vents, and fans. Always turn off and unplug the computer before opening the cover. If possible, avoid operating your computer within 2 feet of high-traffic areas. If you must operate your computer in or near a high-traffic area, inspect and, if necessary, clean your computer more frequently.

For your safety and to maintain optimum computer performance, always follow these basic precautions with your desktop computer:

- Keep the cover closed whenever the computer is plugged in.
- Regularly inspect the outside of the computer for dust accumulation.
- Remove dust from vents and any perforations in the bezel. More frequent cleanings might be required for computers in dusty or high-traffic areas.

- Do not restrict or block any ventilation openings.
- Do not store or operate your computer inside furniture, as this might increase the risk of overheating.
- Airflow temperatures into the computer should not exceed 35° C (95° F).
- Do not use non-desktop air filtration devices.

Operating environment

The optimal environment in which to use your computer is 10°C-35°C (50°F-95°F) with humidity ranging between 35% and 80%. If your computer is stored or transported in temperatures less than 10°C (50°F), allow the cold computer to rise slowly to an optimal operating temperature of 10°C-35°C (50°F-95°F) before use. This process could take two hours in extreme conditions. Failure to allow your computer to rise to an optimal operating temperature before use could result in irreparable damage to your computer.

If possible, place your computer in a well-ventilated and dry area without direct exposure to sunshine.

Keep electrical appliances such as an electric fan, radio, high-powered speakers, air conditioner, and microwave oven away from your computer because the strong magnetic fields generated by these appliances can damage the monitor and data on the hard disk drive.

Do not place any beverages on top of or beside the computer or other attached devices. If liquid is spilled on or in the computer or an attached device, a short circuit or other damage might occur.

Do not eat or smoke over your keyboard. Particles that fall into your keyboard can cause damage.

Electrical current safety information

Danger

Electrical current from power, telephone, and communication cables is hazardous.

To avoid a shock hazard:

- **To prevent possible shock hazard, do not use your computer during a lightning storm.**
- **Do not connect or disconnect any cables or perform installation, maintenance, or reconfiguration of this product during an electrical storm.**

- Connect all power cords to a properly wired and grounded electrical outlet.
- Connect to properly wired outlets any equipment that will be attached to this product.
- When possible, use one hand only to connect or disconnect signal cables.
- Never turn on any equipment when there is evidence of fire, water, or structural damage.
- Disconnect the attached power cords, telecommunications systems, networks, and modems before you open the device covers, unless instructed otherwise in the installation and configuration procedures.
- Connect and disconnect cables as described in the following table when installing, moving, or opening covers on this product or attached devices.

<p>To connect:</p> <ol style="list-style-type: none"> 1. Turn everything OFF. 2. First, attach all cables to devices. 3. Attach signal cables to connectors. 4. Attach power cords to outlet. 5. Turn device ON. 	<p>To disconnect:</p> <ol style="list-style-type: none"> 1. Turn everything OFF. 2. First, remove power cords from outlet. 3. Remove signal cables from connectors. 4. Remove all cables from devices.
----------------------------------------------------------------------------------------------------------------------------------------------------------------------------------------------------------------------------------------------------------------------------	---------------------------------------------------------------------------------------------------------------------------------------------------------------------------------------------------------------------------------------------------------

Lithium battery notice

<p>Caution Danger of explosion if battery is incorrectly replaced.</p>

When replacing the lithium coin cell battery, use only the same or an equivalent type that is recommended by the manufacturer. The battery contains lithium and can explode if not properly used, handled, or disposed of.

Do not:

- Throw or immerse into water
- Heat to more than 100°C (212°F)
- Repair or disassemble

Dispose of the battery as required by local ordinances or regulations.

The following statement applies to users in the state of California, U.S.A.

Perchlorate material: Special handling may apply. See www.dtsc.ca.gov/hazardouswaste/perchlorate.

Modem safety information

Caution

To reduce the risk of fire, use only No. 26 AWG or larger telecommunication line cord.

To reduce the risk of fire, electrical shock, or injury when using telephone equipment, always follow basic safety precautions, such as:

- Never install telephone wiring during a lightning storm.
- Never install telephone jacks in wet locations unless the jack is specifically designed for wet locations.
- Never touch uninsulated telephone wires or terminals unless the telephone line has been disconnected at the network interface.
- Use caution when installing or modifying telephone lines.
- Avoid using a telephone (other than a cordless type) during an electrical storm. There may be a remote risk of electric shock from lightning.
- Do not use the telephone to report a gas leak in the vicinity of the leak.

Laser compliance statement

Some personal computer models are equipped from the factory with a CD or DVD drive. CD and DVD drives are also sold separately as options. CD and DVD drives are laser products. These drives are certified in the U.S. to conform to the requirements of the Department of Health and Human Services 21 Code of Federal Regulations (DHHS 21 CFR) Subchapter J for Class 1 laser products. Elsewhere, these drives are certified to conform to the requirements of the International Electrotechnical Commission (IEC) 60825-1 and CENELEC EN 60825-1 for Class 1 laser products.

When a CD or DVD drive is installed, note the following handling instructions.

Caution

Use of controls or adjustments or performance of procedures other than those specified herein might result in hazardous radiation exposure.

Do not remove the drive covers. Removing the covers of the CD or DVD drive could result in exposure to hazardous laser radiation. There are no serviceable parts inside the CD or DVD drive.

Some CD and DVD drives contain an embedded Class 3A or Class 3B laser diode. Note the following statement.

Danger

Laser radiation when open. Do not stare into the beam, do not view directly with optical instruments, and avoid direct exposure to the beam.

Power supply statement

Never remove the cover on a power supply or any part that has the following label attached.



Hazardous voltage, current, and energy levels are present inside any component that has this label attached. There are no serviceable parts inside these components. If you suspect a problem with one of these parts, contact a service technician.

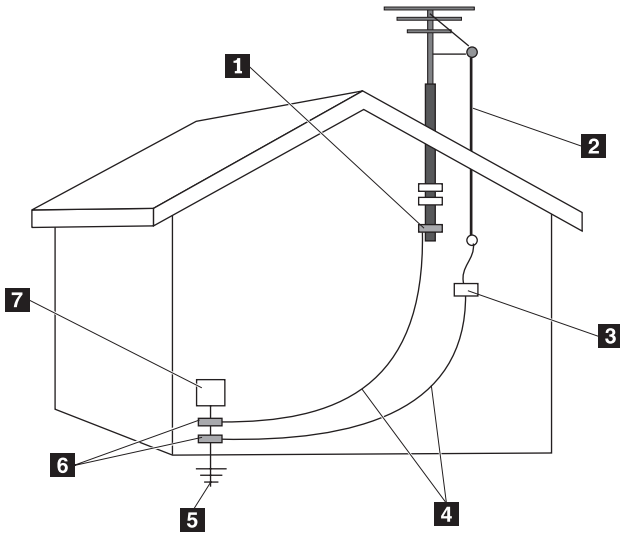
Products with television tuner options installed

The notice below applies to products containing television (TV) tuner devices that connect to external antennas or to cable/CATV systems, or both, and that are intended to be installed in North America. Users and installers in other countries should follow local codes and ordinances when installing appliances that connect to external antennas and cable/CATV systems. If local codes are not applicable, it is recommended that users/installers follow guidelines similar to those that follow.

Note to CATV system installer

This reminder is provided to call the CATV system installer's attention to Article 820-40 of the National Electrical Code (NEC) that provides guidelines for proper grounding and, in particular, specifies that the cable ground shall be connected to the grounding system of the building, as close as possible to the point of cable entry as practical.

Example of antenna grounding



- | | | | |
|----------|---------------------------------------------|----------|--------------------------------------------------------------------|
| 1 | Ground clamp | 5 | Power service grounding electrode system (NEC Article 250, Part H) |
| 2 | Antenna lead-in wire | 6 | Ground clamps |
| 3 | Antenna discharge unit (NEC Section 810-20) | 7 | Electronic service equipment |
| 4 | Grounding conductors (NEC Section 810-21) | | |

Figure 1. Proper grounding for the cable

The following notice applies to all countries and regions:

Danger



Outdoor antenna grounding

If an outside antenna or cable system is connected to the equipment, be sure the antenna or cable system is grounded as to provide some protection against voltage surges and built-up static charges.

Lightning

For added protection for this equipment during a lightning storm, or when it is left unattended and unused for long periods of time, unplug it from the wall outlet and disconnect the antenna or cable system. This will prevent damage to the video product due to lightning and power line surges.

Power lines

An outside antenna system should not be located in the vicinity of overhead power lines or where it can fall into such power lines or circuits. When installing an outside antenna system, extreme care should be taken to keep from touching such power lines or circuits, as contact with them may be fatal.

Data safety

Do not delete unknown files or change the name of files or directories that were not created by you; otherwise, your computer software might fail to work.

Be aware that accessing network resources can leave your computer vulnerable to computer viruses, hackers, spyware, and other malicious activities that might damage your computer, software, or data. It is your responsibility to ensure that you have adequate protection in the form of firewalls, antivirus software, and anti-spyware software and keep this software up to date.

Cleaning and maintenance

Keep your computer and workspace clean. Shut down the computer and then disconnect the power cord before cleaning the computer. Do not spray any liquid detergent directly on the computer or use any detergent containing flammable material to clean the computer. Spray the detergent on a soft cloth and then wipe the computer surfaces.

Using headphones or earphones

If your computer has both a headphone connector and an audio-out connector, always use the headphone connector for headphones (also called a headset) or earphones.

Excessive use of headphones or earphones for a long period of time at high volume can be dangerous if the headphones or earphones do not comply with specifications of EN 50332-2. The headphone output connector of your computer complies with EN 50332-2 Sub clause 5.1. This specification limits the computer's maximum wide band true RMS output voltage to 150mV. To help protect against hearing loss, ensure that the headphones or earphones you use also comply with EN 50332-2 (Sub clause 6.1) for a wide band characteristic voltage of 75mV. Using headphones that do not comply with EN 50332-2 can be dangerous due to excessive sound pressure levels.

If your Lenovo computer came with headphones or earphones in the package, as a set, the combination of the headphones or earphones and the computer already complies with the specifications of EN 50332-1. If different headphones or earphones are used, ensure that they comply with EN 50332-2. (Sub clause 6.1) for a wide band characteristic voltage of 75mV. Using headphones that do not comply with EN 50332-2 can be dangerous due to excessive sound pressure levels.

Additional safety information

Plastic bags can be dangerous. Keep plastic bags away from babies and children to avoid danger of suffocation.

Chapter 2. Information resources

After you have set up your computer using the provided setup poster, you can use the information in this chapter to access useful resources relating to your computing needs.

Online Books folder

The Online Books folder provides publications to help you set up and use your computer. The Online Books folder is preinstalled on your computer and requires no Internet access to view the publications. The following publications are available in the Online Books folder:

- *User Guide*

This publication provides information on setting up your computer, installing options, recovering software, using the Setup Utility, updating system programs, and troubleshooting problems.

- *Hardware Replacement Guide*

This publication provides step-by-step instructions for replacing Customer Replacement Units (CRUs) in your computer. CRUs are computer parts that can be upgraded or replaced by the customer.

To view a publication, open the Start menu from the Windows desktop, select **All Programs**, select **Online Books**, and click **Online Books**. Double-click on the appropriate publication for your computer. The publications also are available on the Lenovo Web site at <http://www.lenovo.com>.

Notes:

1. These publications are in Portable Document Format (PDF) format, which requires Adobe Acrobat Reader to be installed. If Adobe Acrobat Reader has not yet been installed on your computer, a message will appear when you attempt to view the PDF file and you will be guided through the Adobe Acrobat Reader installation.
2. The publications that are preinstalled on your computer are available in other languages on the Lenovo Support Web site at <http://www.lenovo.com/support/>.
3. If you want to install a different language version of Adobe Acrobat Reader than the version provided on your computer, go to the Adobe Web site at <http://www.adobe.com> and download the version you want to use.

ThinkVantage Productivity Center

The ThinkVantage® Productivity Center program guides you to a host of information sources and tools designed to make computing simpler and more secure while helping to reduce costs and increase productivity. The ThinkVantage Productivity Center program helps you set up, understand, and enhance your computer.

The ThinkVantage Productivity Center program provides information about your computer and easy access to various technologies, such as:

- The Rescue and Recovery™ program
- Productivity Center
- Client Security Solutions
- Factory Recovery
- System Updates
- Service and support

Note: ThinkVantage Technologies are only available on select Lenovo computers.

To access the ThinkVantage Productivity Center program, open the Start menu from the Windows desktop, select **All Programs**, select **ThinkVantage**, and click **Productivity Center**.

Access Help

The Access Help online help system provides information about getting started, doing basic tasks, customizing settings for your personal preference, protecting data, expanding and upgrading, and troubleshooting.

To open Access Help, open the Start menu from the Windows desktop, select **All Programs**, select **ThinkVantage**, and click **Access Help**. After you have opened Access Help, use the left panel to make a selection from the Contents or Index tab, or use the Search tab to find a particular word or phrase.

www.lenovo.com

The Lenovo Web site (www.lenovo.com) provides an extensive amount of information and services to help you buy, upgrade, and maintain your computer. You can access the most up-to-date information for your computer on the Lenovo Web site. From the www.lenovo.com Web site, you can also:

- Shop for desktop and notebook computers, monitors, projectors, upgrades and accessories for your computer, and special offers.

- Purchase additional services, such as support for hardware, operating systems, application programs, network setup and configuration, and custom installations.
- Purchase upgrades and extended hardware repair services.
- Download the latest device drivers and software updates for your computer model.
- Access the online manuals for your products.
- Access the Lenovo Statement of Limited Warranty.
- Access troubleshooting and support information for your computer model and other supported products.
- Find the service and support phone number for your country or region.
- Find a service provider located near you.

Recording your computer information

Recording information about your computer can be helpful if you ever need to have your computer serviced. The service technician will probably ask you for this information.

The machine type, model, and serial number are labeled on your computer. Use the following table to record this information.

Product name	_____
Machine type and model	_____
Serial number (S/N)	_____
Date of purchase	_____

You can register your computer over the Internet at the following Web site:

<http://www.lenovo.com/register>

When you register your computer, you will receive the following benefits:

- Faster service when you call for help
- Automatic notification of free software and special promotional offers

For more information about registering your computer, refer to the Access Help online help system. See “Access Help” on page 26 for instructions on how to open the online help system.

Chapter 3. Lenovo Statement of Limited Warranty

LSOLW-00 05/2005

Part 1 - General Terms

*This Statement of Limited Warranty includes Part 1 - General Terms, Part 2 - Country-unique Terms, and Part 3 - Warranty Information. The terms of Part 2 replace or modify those of Part 1. The warranties provided by Lenovo in this Statement of Limited Warranty apply only to Machines you purchase for your use, and not for resale. The term "Machine" means a Lenovo machine, its options, features, conversions, upgrades or peripheral products, or any combination of them. The term "Machine" does not include any software programs, whether pre-loaded with the Machine, installed subsequently or otherwise. **Nothing in this Statement of Limited Warranty affects any statutory rights of consumers that cannot be waived or limited by contract.***

What this Warranty Covers

Lenovo warrants that each Machine 1) is free from defects in materials and workmanship and 2) conforms to Lenovo's Official Published Specifications ("Specifications") which are available on request. The warranty period for the Machine starts on the original date of installation and is specified in Part 3 - Warranty Information. The date on your invoice or sales receipt is the date of installation unless Lenovo or your reseller informs you otherwise. Unless Lenovo specifies otherwise, these warranties apply only in the country or region in which you purchased the Machine.

THESE WARRANTIES ARE YOUR EXCLUSIVE WARRANTIES AND REPLACE ALL OTHER WARRANTIES OR CONDITIONS, EXPRESS OR IMPLIED, INCLUDING, BUT NOT LIMITED TO, THE IMPLIED WARRANTIES OR CONDITIONS OF MERCHANTABILITY AND FITNESS FOR A PARTICULAR PURPOSE. SOME STATES OR JURISDICTIONS DO NOT ALLOW THE EXCLUSION OF EXPRESS OR IMPLIED WARRANTIES, SO THE ABOVE EXCLUSION MAY NOT APPLY TO YOU. IN THAT EVENT, SUCH WARRANTIES ARE LIMITED IN DURATION TO THE WARRANTY PERIOD. NO WARRANTIES APPLY AFTER THAT PERIOD. SOME STATES OR JURISDICTIONS DO NOT ALLOW LIMITATIONS ON HOW LONG AN IMPLIED WARRANTY LASTS, SO THE ABOVE LIMITATION MAY NOT APPLY TO YOU.

What this Warranty Does not Cover

This warranty does not cover the following:

- any software programs, whether pre-loaded or shipped with the Machine, or installed subsequently;

- failure resulting from misuse, accident, modification, unsuitable physical or operating environment, or improper maintenance by you;
- failure caused by a product for which Lenovo is not responsible; and
- any non-Lenovo products, including those that Lenovo may procure and provide with or integrate into a Lenovo Machine at your request.

The warranty is voided by removal or alteration of identification labels on the Machine or its parts.

Lenovo does not warrant uninterrupted or error-free operation of a Machine.

Any technical or other support provided for a Machine under warranty, such as assistance with "how-to" questions and those regarding Machine set-up and installation, is provided **WITHOUT WARRANTIES OF ANY KIND**.

How to Obtain Warranty Service

Warranty service may be provided by Lenovo, IBM®, your reseller if authorized to perform warranty service, or an authorized warranty service provider. Each of them is referred to as a "Service Provider."

If the Machine does not function as warranted during the warranty period, contact a Service Provider. If you do not register the Machine with Lenovo, you may be required to present proof of purchase as evidence of your entitlement to warranty service.

What Lenovo Will Do to Correct Problems

When you contact a Service Provider for service, you must follow the problem determination and resolution procedures that we specify. An initial diagnosis of your problem can be made either by a technician over the telephone or electronically by access to a support website.

The type of warranty service applicable to your Machine is specified in Part 3 - Warranty Information.

You are responsible for downloading and installing designated software updates from a support web site or from other electronic media, and following the instructions that your Service Provider provides. Software updates may include basic input/output system code (called "BIOS"), utility programs, device drivers, and other software updates.

If your problem can be resolved with a Customer Replaceable Unit ("CRU") (e.g., keyboard, mouse, speaker, memory, hard disk drive), your Service Provider will ship the CRU to you for you to install.

If the Machine does not function as warranted during the warranty period and your problem cannot be resolved over the telephone or electronically, through

your application of software updates, or with a CRU, your Service Provider, will either, at its discretion, 1) repair it to make it function as warranted, or 2) replace it with one that is at least functionally equivalent. If your Service Provider is unable to do either, you may return the Machine to your place of purchase and your money will be refunded.

As part of the warranty service, your Service Provider may also install selected engineering changes that apply to the Machine.

Exchange of a Machine or Part

When the warranty service involves the exchange of a Machine or part, the item your Service Provider replaces becomes Lenovo's property and the replacement becomes yours. You represent that all removed items are genuine and unaltered. The replacement may not be new, but will be in good working order and at least functionally equivalent to the item replaced. The replacement assumes the warranty service status of the replaced item.

Your Additional Responsibilities

Before your Service Provider exchanges a Machine or part, you agree to remove all features, parts, options, alterations, and attachments not under warranty service.

You also agree to:

1. ensure that the Machine is free of any legal obligations or restrictions that prevent its exchange;
2. obtain authorization from the owner to have your Service Provider service a Machine that you do not own; and
3. where applicable, before service is provided:
 - a. follow the service request procedures that your Service Provider provides;
 - b. backup or secure all programs, data, and funds contained in the Machine; and
 - c. provide your Service Provider with sufficient, free, and safe access to your facilities to permit Lenovo to fulfill its obligations.
4. (a) ensure all information about identified or identifiable individuals (Personal Data) is deleted from the Machine (to the extent technically possible), (b) allow your Service Provider or a supplier to process on your behalf any remaining Personal Data as your Service Provider considers necessary to fulfill its obligations under this Statement of Limited Warranty (which may include shipping the Machine for such processing to other service locations around the world), and (c) ensure that such processing complies with any laws applicable to such Personal Data.

Limitation of Liability

Lenovo is responsible for loss of, or damage to, your Machine only while it is

1) in your Service Provider's possession or 2) in transit in those cases where Lenovo is responsible for the transportation charges.

Neither Lenovo nor your Service Provider are responsible for any of your confidential, proprietary or personal information contained in a Machine which you return for any reason. You should remove all such information from the Machine prior to its return.

Circumstances may arise where, because of a default on Lenovo's part or other liability, you are entitled to recover damages from Lenovo. In each such instance, regardless of the basis on which you are entitled to claim damages from Lenovo (including fundamental breach, negligence, misrepresentation, or other contract or tort claim), except for any liability that cannot be waived or limited by applicable laws, Lenovo is liable for no more than

1. damages for bodily injury (including death) and damage to real property and tangible personal property for which Lenovo is legally liable; and
2. the amount of any other actual direct damages, up to the charges for the Machine that is subject of the claim.

This limit also applies to Lenovo's suppliers, resellers and your Service Provider. It is the maximum for which Lenovo, its suppliers, resellers, and your Service Provider are collectively responsible.

UNDER NO CIRCUMSTANCES IS LENOVO, ITS SUPPLIERS, RESELLERS OR SERVICE PROVIDERS LIABLE FOR ANY OF THE FOLLOWING EVEN IF INFORMED OF THEIR POSSIBILITY: 1) THIRD PARTY CLAIMS AGAINST YOU FOR DAMAGES (OTHER THAN THOSE UNDER THE FIRST ITEM LISTED ABOVE); 2) LOSS OF, OR DAMAGE TO, DATA; 3) SPECIAL, INCIDENTAL, OR INDIRECT DAMAGES OR FOR ANY ECONOMIC CONSEQUENTIAL DAMAGES; OR 4) LOST PROFITS, BUSINESS REVENUE, GOODWILL OR ANTICIPATED SAVINGS. SOME STATES OR JURISDICTIONS DO NOT ALLOW THE EXCLUSION OR LIMITATION OF INCIDENTAL OR CONSEQUENTIAL DAMAGES, SO THE ABOVE LIMITATION OR EXCLUSION MAY NOT APPLY TO YOU.

Governing Law

Both you and Lenovo consent to the application of the laws of the country in which you acquired the Machine to govern, interpret, and enforce all of your and Lenovo's rights, duties, and obligations arising from, or relating in any manner to, the subject matter of this Statement of Limited Warranty, without regard to conflict of law principles.

THESE WARRANTIES GIVE YOU SPECIFIC LEGAL RIGHTS AND YOU MAY ALSO HAVE OTHER RIGHTS WHICH VARY FROM STATE TO STATE OR JURISDICTION TO JURISDICTION.

Jurisdiction

All of our rights, duties, and obligations are subject to the courts of the country in which you acquired the Machine.

Part 2 - Country-unique Terms

AMERICAS

ARGENTINA

Jurisdiction: *The following is added after the first sentence:*

Any litigation arising from this Statement of Limited Warranty will be settled exclusively by the Ordinary Commercial Court of the city of Buenos Aires.

BOLIVIA

Jurisdiction: *The following is added after the first sentence:*

Any litigation arising from this Statement of Limited Warranty will be settled exclusively by the courts of the city of La Paz.

BRAZIL

Jurisdiction: *The following is added after the first sentence:*

Any litigation arising from this Statement of Limited Warranty will be settled exclusively by the court of Rio de Janeiro, RJ.

CHILE

Jurisdiction: *The following is added after the first sentence:*

Any litigation arising from this Statement of Limited Warranty will be settled exclusively by the Civil Courts of Justice of Santiago.

COLOMBIA

Jurisdiction: *The following is added after the first sentence:*

Any litigation arising from this Statement of Limited Warranty will be settled exclusively by the Judges of the Republic of Colombia.

ECUADOR

Jurisdiction: *The following is added after the first sentence:*

Any litigation arising from this Statement of Limited Warranty will be settled exclusively by the Judges of Quito.

MEXICO

Jurisdiction: *The following is added after the first sentence:*

Any litigation arising from this Statement of Limited Warranty will be settled exclusively by the Federal Courts of Mexico City, Federal District.

PARAGUAY

Jurisdiction: *The following is added after the first sentence:*

Any litigation arising from this Statement of Limited Warranty will be settled exclusively by the courts of the city of Asuncion.

PERU

Jurisdiction: *The following is added after the first sentence:*

Any litigation arising from this Statement of Limited Warranty will be settled exclusively by the Judges and Tribunals of the Judicial District of Lima, Cercado.

Limitation of Liability: *The following is added at the end of this section:*

In accordance with Article 1328 of the Peruvian Civil Code the limitations and exclusions specified in this section will not apply to damages caused by Lenovo's willful misconduct ("dolo") or gross negligence ("culpa inexcusable").

URUGUAY

Jurisdiction: *The following is added after the first sentence:*

Any litigation arising from this Statement of Limited Warranty will be settled exclusively by the City of Montevideo Court's Jurisdiction.

VENEZUELA

Jurisdiction: *The following is added after the first sentence:*

Any litigation arising from this Statement of Limited Warranty will be settled exclusively by the Courts of the Metropolitan Area Of the City of Caracas.

NORTH AMERICA

How to Obtain Warranty Service: *The following is added to this Section:*

To obtain warranty service from IBM service in Canada or the United States, call 1-800-426-7378.

CANADA

Limitation of Liability: *The following replaces item 1 of this section:*

1. damages for bodily injury (including death) or physical harm to real property and tangible personal property caused by Lenovo's negligence; and

Governing Law: *The following replaces "laws of the country in which you acquired the Machine" in the first sentence:*

laws in the Province of Ontario.

UNITED STATES

Governing Law: *The following replaces "laws of the country in which you acquired the Machine" in the first sentence:*

laws of the State of New York.

ASIA PACIFIC

AUSTRALIA

What this Warranty Covers: *The following paragraph is added to this section:*

The warranties specified in this Section are in addition to any rights you may have under the Trade Practices Act 1974 or other similar legislation and are only limited to the extent permitted by the applicable legislation.

Limitation of Liability: *The following is added to this section:*

Where Lenovo is in breach of a condition or warranty implied by the Trade Practices Act 1974 or other similar legislation, Lenovo's liability is limited to the repair or replacement of the goods or the supply of equivalent goods. Where that condition or warranty relates to right to sell, quiet possession or clear title, or the goods are of a kind ordinarily acquired for personal, domestic or household use or consumption, then none of the limitations in this paragraph apply.

Governing Law: *The following replaces "laws of the country in which you acquired the Machine" in the first sentence:*
laws of the State or Territory.

CAMBODIA AND LAOS

Governing Law: *The following replaces "laws of the country in which you acquired the Machine" in the first sentence:*
laws of the State of New York, United States of America.

CAMBODIA, INDONESIA, AND LAOS

Arbitration: *The following is added under this heading:*

Disputes arising out of or in connection with this Statement of Limited Warranty shall be finally settled by arbitration which shall be held in Singapore in accordance with the Arbitration Rules of Singapore International Arbitration Center ("SIAC Rules") then in effect. The arbitration award shall be final and binding for the parties without appeal and shall be in writing and set forth the findings of fact and the conclusions of law.

The number of arbitrators shall be three, with each side to the dispute being entitled to appoint one arbitrator. The two arbitrators appointed by the parties shall appoint a third arbitrator who shall act as chairman of the proceedings. Vacancies in the post of chairman shall be filled by the president of the SIAC. Other vacancies shall be filled by the respective nominating party. Proceedings shall continue from the stage they were at when the vacancy occurred.

If one of the parties refuses or otherwise fails to appoint an arbitrator within 30 days of the date the other party appoints its, the first appointed arbitrator shall be the sole arbitrator, provided that the arbitrator was validly and properly appointed.

All proceedings shall be conducted, including all documents presented in such proceedings, in the English language. The English language version of this Statement of Limited Warranty prevails over any other language version.

HONG KONG S.A.R. OF CHINA AND MACAU S.A.R. OF CHINA

Governing Law: *The following replaces "laws of the country in which you acquired the Machine" in the first sentence:*

laws of Hong Kong Special Administrative Region of China.

INDIA

Limitation of Liability: *The following replaces items 1 and 2 of this section:*

1. liability for bodily injury (including death) or damage to real property and tangible personal property will be limited to that caused by Lenovo's negligence; and
2. as to any other actual damage arising in any situation involving nonperformance by Lenovo pursuant to, or in any way related to the subject of this Statement of Limited Warranty, the charge paid by you for the individual Machine that is the subject of the claim.

Arbitration: *The following is added under this heading*

Disputes arising out of or in connection with this Statement of Limited Warranty shall be finally settled by arbitration which shall be held in Bangalore, India in accordance with the laws of India then in effect. The arbitration award shall be final and binding for the parties without appeal and shall be in writing and set forth the findings of fact and the conclusions of law.

The number of arbitrators shall be three, with each side to the dispute being entitled to appoint one arbitrator. The two arbitrators appointed by the parties shall appoint a third arbitrator who shall act as chairman of the proceedings. Vacancies in the post of chairman shall be filled by the president of the Bar Council of India. Other vacancies shall be filled by the respective nominating party. Proceedings shall continue from the stage they were at when the vacancy occurred.

If one of the parties refuses or otherwise fails to appoint an arbitrator within 30 days of the date the other party appoints its, the first appointed arbitrator shall be the sole arbitrator, provided that the arbitrator was validly and properly appointed.

All proceedings shall be conducted, including all documents presented in such proceedings, in the English language. The English language version of this Statement of Limited Warranty prevails over any other language version.

JAPAN

Governing Law: *The following sentence is added to this section:*

Any doubts concerning this Statement of Limited Warranty will be initially resolved between us in good faith and in accordance with the principle of mutual trust.

MALAYSIA

Limitation of Liability: The word "*SPECIAL*" in item 3 of the fifth paragraph is deleted.

NEW ZEALAND

What this Warranty Covers: *The following paragraph is added to this section:*

The warranties specified in this section are in addition to any rights you may have under the Consumer Guarantees Act 1993 or other legislation which cannot be excluded or limited. The Consumer Guarantees Act 1993 will not apply in respect of any goods which Lenovo provides, if you require the goods for the purposes of a business as defined in that Act.

Limitation of Liability: *The following is added to this section:*

Where Machines are not acquired for the purposes of a business as defined in the Consumer Guarantees Act 1993, the limitations in this Section are subject to the limitations in that Act.

PEOPLE'S REPUBLIC OF CHINA (PRC)

Governing Law: *The following replaces "laws of the country in which you acquired the Machine" in the first sentence:*

laws of the State of New York, United States of America (except when local law requires otherwise).

PHILIPPINES

Limitation of Liability: *Item 3 in the fifth paragraph is replaced by the following:*

SPECIAL (INCLUDING NOMINAL AND EXEMPLARY DAMAGES), MORAL, INCIDENTAL, OR INDIRECT DAMAGES FOR ANY ECONOMIC CONSEQUENTIAL DAMAGES; OR

Arbitration: The following is added: under this heading

Disputes arising out of or in connection with this Statement of Limited Warranty shall be finally settled by arbitration which shall be held in Metro Manila, Philippines in accordance with the laws of the Philippines then in effect. The arbitration award shall be final and binding for the parties without appeal and shall be in writing and set forth the findings of fact and the conclusions of law.

The number of arbitrators shall be three, with each side to the dispute being entitled to appoint one arbitrator. The two arbitrators appointed by the parties shall appoint a third arbitrator who shall act as chairman of the proceedings. Vacancies in the post of chairman shall be filled by the president of the

Philippine Dispute Resolution Center, Inc.. Other vacancies shall be filled by the respective nominating party. Proceedings shall continue from the stage they were at when the vacancy occurred.

If one of the parties refuses or otherwise fails to appoint an arbitrator within 30 days of the date the other party appoints its, the first appointed arbitrator shall be the sole arbitrator, provided that the arbitrator was validly and properly appointed.

All proceedings shall be conducted, including all documents presented in such proceedings, in the English language. The English language version of this Statement of Limited Warranty prevails over any other language version.

SINGAPORE

Limitation of Liability: *The words "SPECIAL" and "ECONOMIC" in item 3 in the fifth paragraph are deleted.*

EUROPE, MIDDLE EAST, AFRICA (EMEA)

THE FOLLOWING TERMS APPLY TO ALL EMEA COUNTRIES:

The terms of this Statement of Limited Warranty apply to Machines purchased from Lenovo or a Lenovo reseller.

How to Obtain Warranty Service:

*Add the following paragraph in **Western Europe** (Andorra, Austria, Belgium, Cyprus, Czech Republic, Denmark, Estonia, Finland, France, Germany, Greece, Hungary, Iceland, Ireland, Italy, Latvia, Liechtenstein, Lithuania, Luxembourg, Malta, Monaco, Netherlands, Norway, Poland, Portugal, San Marino, Slovakia, Slovenia, Spain, Sweden, Switzerland, United Kingdom, Vatican State, and any country subsequently added to the European Union, as from the date of accession):*

The warranty for Machines acquired in Western Europe shall be valid and applicable in all Western Europe countries provided the Machines have been announced and made available in such countries.

If you purchase a Machine in one of the Western European countries, as defined above, you may obtain warranty service for that Machine in any of those countries from a Service Provider, provided the Machine has been announced and made available by Lenovo in the country in which you wish to obtain service.

If you purchased a Personal Computer Machine in Albania, Armenia, Belarus, Bosnia and Herzegovina, Bulgaria, Croatia, Czech Republic, Georgia, Hungary, Kazakhstan, Kyrgyzstan, Federal Republic of Yugoslavia, Former Yugoslav Republic of Macedonia (FYROM), Moldova, Poland, Romania, Russia, Slovak Republic, Slovenia, or Ukraine, you may obtain warranty service for that

Machine in any of those countries from a Service Provider, provided the Machine has been announced and made available by Lenovo in the country in which you wish to obtain service..

If you purchase a Machine in a Middle Eastern or African country, you may obtain warranty service for that Machine from a Service Provider within the country of purchase, provided the Machine has been announced and made available by Lenovo in that country. Warranty service in Africa is available within 50 kilometers of a Service Provider. You are responsible for transportation costs for Machines located outside 50 kilometers of a Service Provider.

Governing Law:

The phrase "the laws of the country in which you acquired the Machine" is replaced by:

1) "the laws of Austria" in **Albania, Armenia, Azerbaijan, Belarus, Bosnia-Herzegovina, Bulgaria, Croatia, Georgia, Hungary, Kazakhstan, Kyrgyzstan, FYR Macedonia, Moldova, Poland, Romania, Russia, Slovakia, Slovenia, Tajikistan, Turkmenistan, Ukraine, Uzbekistan, and FR Yugoslavia;** 2) "the laws of France" in **Algeria, Benin, Burkina Faso, Cameroon, Cape Verde, Central African Republic, Chad, Comoros, Congo Republic, Djibouti, Democratic Republic of Congo, Equatorial Guinea, French Guiana, French Polynesia, Gabon, Gambia, Guinea, Guinea-Bissau, Ivory Coast, Lebanon, Madagascar, Mali, Mauritania, Mauritius, Mayotte, Morocco, New Caledonia, Niger, Reunion, Senegal, Seychelles, Togo, Tunisia, Vanuatu, and Wallis & Futuna;** 3) "the laws of Finland" in **Estonia, Latvia, and Lithuania;** 4) "the laws of England" in **Angola, Bahrain, Botswana, Burundi, Egypt, Eritrea, Ethiopia, Ghana, Jordan, Kenya, Kuwait, Liberia, Malawi, Malta, Mozambique, Nigeria, Oman, Pakistan, Qatar, Rwanda, Sao Tome, Saudi Arabia, Sierra Leone, Somalia, Tanzania, Uganda, United Arab Emirates, the United Kingdom, West Bank/Gaza, Yemen, Zambia, and Zimbabwe;** and 5) "the laws of South Africa" in **South Africa, Namibia, Lesotho and Swaziland.**

Jurisdiction: *The following exceptions are added to this section:*

1) In **Austria** the choice of jurisdiction for all disputes arising out of this Statement of Limited Warranty and relating thereto, including its existence, will be the competent court of law in Vienna, Austria (Inner-City); 2) in **Angola, Bahrain, Botswana, Burundi, Egypt, Eritrea, Ethiopia, Ghana, Jordan, Kenya, Kuwait, Liberia, Malawi, Malta, Mozambique, Nigeria, Oman, Pakistan, Qatar, Rwanda, Sao Tome, Saudi Arabia, Sierra Leone, Somalia, Tanzania, Uganda, United Arab Emirates, West Bank/Gaza, Yemen, Zambia, and Zimbabwe** all disputes arising out of this Statement of Limited Warranty or related to its execution, including summary proceedings, will be submitted to the exclusive jurisdiction of the English courts; 3) in **Belgium and Luxembourg**, all disputes arising out of this Statement of Limited Warranty or related to its interpretation or its execution, the law, and the courts of the capital city, of the country of your registered office and/or commercial site

location only are competent; 4) **in France, Algeria, Benin, Burkina Faso, Cameroon, Cape Verde, Central African Republic, Chad, Comoros, Congo Republic, Djibouti, Democratic Republic of Congo, Equatorial Guinea, French Guiana, French Polynesia, Gabon, Gambia, Guinea, Guinea-Bissau, Ivory Coast, Lebanon, Madagascar, Mali, Mauritania, Mauritius, Mayotte, Morocco, New Caledonia, Niger, Reunion, Senegal, Seychelles, Togo, Tunisia, Vanuatu, and Wallis & Futuna** all disputes arising out of this Statement of Limited Warranty or related to its violation or execution, including summary proceedings, will be settled exclusively by the Commercial Court of Paris; 5) **in Russia**, all disputes arising out of or in relation to the interpretation, the violation, the termination, the nullity of the execution of this Statement of Limited Warranty shall be settled by Arbitration Court of Moscow; 6) **in South Africa, Namibia, Lesotho and Swaziland**, both of us agree to submit all disputes relating to this Statement of Limited Warranty to the jurisdiction of the High Court in Johannesburg; 7) **in Turkey** all disputes arising out of or in connection with this Statement of Limited Warranty shall be resolved by the Istanbul Central (Sultanahmet) Courts and Execution Directorates of Istanbul, the Republic of Turkey; 8) in each of the following specified countries, any legal claim arising out of this Statement of Limited Warranty will be brought before, and settled exclusively by, the competent court of a) Athens for **Greece**, b) Tel Aviv-Jaffa for **Israel**, c) Milan for **Italy**, d) Lisbon for **Portugal**, and e) Madrid for **Spain**; and 9) **in the United Kingdom**, both of us agree to submit all disputes relating to this Statement of Limited Warranty to the jurisdiction of the English courts.

Arbitration: *The following is added under this heading:*

In Albania, Armenia, Azerbaijan, Belarus, Bosnia-Herzegovina, Bulgaria, Croatia, Georgia, Hungary, Kazakhstan, Kyrgyzstan, FYR Macedonia, Moldova, Poland, Romania, Russia, Slovakia, Slovenia, Tajikistan, Turkmenistan, Ukraine, Uzbekistan, and FR Yugoslavia all disputes arising out of this Statement of Limited Warranty or related to its violation, termination or nullity will be finally settled under the Rules of Arbitration and Conciliation of the International Arbitral Center of the Federal Economic Chamber in Vienna (Vienna Rules) by three arbitrators appointed in accordance with these rules. The arbitration will be held in Vienna, Austria, and the official language of the proceedings will be English. The decision of the arbitrators will be final and binding upon both parties. Therefore, pursuant to paragraph 598 (2) of the Austrian Code of Civil Procedure, the parties expressly waive the application of paragraph 595 (1) figure 7 of the Code. Lenovo may, however, institute proceedings in a competent court in the country of installation.

In Estonia, Latvia and Lithuania all disputes arising in connection with this Statement of Limited Warranty will be finally settled in arbitration that will be held in Helsinki, Finland in accordance with the arbitration laws of Finland then in effect. Each party will appoint one arbitrator. The arbitrators will then jointly appoint the chairman. If arbitrators cannot agree on the chairman, then the Central Chamber of Commerce in Helsinki will appoint the chairman.

EUROPEAN UNION (EU)

THE FOLLOWING TERMS APPLY TO ALL EU COUNTRIES:

The warranty for Machines acquired in EU countries is valid and applicable in all EU countries provided the Machines have been announced and made available in such countries.

How to Obtain Warranty Service: *The following is added to this section:*

To obtain warranty service from IBM service in EU countries, see the telephone listing in Part 3 - Warranty Information.

You may contact IBM service at the following address:

IBM Warranty & Service Quality Dept.
PO Box 30
Spango Valley
Greenock
Scotland PA16 0AH

CONSUMERS

Consumers have legal rights under applicable national legislation governing the sale of consumer goods. Such rights are not affected by the warranties provided in this Statement of Limited Warranty.

AUSTRIA, DENMARK, FINLAND, GREECE, ITALY, NETHERLANDS, NORWAY, PORTUGAL, SPAIN, SWEDEN AND SWITZERLAND

Limitation of Liability: *The following replaces the terms of this section in its entirety:*

Except as otherwise provided by mandatory law:

1. Lenovo's liability for any damages and losses that may arise as a consequence of the fulfillment of its obligations under or in connection with this Statement of Limited Warranty or due to any other cause related to this Statement of Limited Warranty is limited to the compensation of only those damages and losses proved and actually arising as an immediate and direct consequence of the non-fulfillment of such obligations (if Lenovo is at fault) or of such cause, for a maximum amount equal to the charges you paid for the Machine.

The above limitation shall not apply to damages for bodily injuries (including death) and damages to real property and tangible personal property for which Lenovo is legally liable.

2. **UNDER NO CIRCUMSTANCES IS LENOVO, ITS SUPPLIERS, RESELLERS OR SERVICE PROVIDERS LIABLE FOR ANY OF THE FOLLOWING, EVEN IF INFORMED OF THEIR POSSIBILITY: 1) LOSS OF, OR DAMAGE TO, DATA; 2) INCIDENTAL OR INDIRECT DAMAGES, OR FOR ANY ECONOMIC CONSEQUENTIAL DAMAGES; 3) LOST PROFITS, EVEN IF THEY ARISE AS AN IMMEDIATE**

**CONSEQUENCE OF THE EVENT THAT GENERATED THE DAMAGES;
OR 4) LOSS OF BUSINESS, REVENUE, GOODWILL, OR
ANTICIPATED SAVINGS.**

FRANCE AND BELGIUM

Limitation of Liability: *The following replaces the terms of this section in its entirety:*

Except as otherwise provided by mandatory law:

1. Lenovo's liability for any damages and losses that may arise as a consequence of the fulfillment of its obligations under or in connection with this Statement of Limited Warranty is limited to the compensation of only those damages and losses proved and actually arising as an immediate and direct consequence of the non-fulfillment of such obligations (if Lenovo is at fault), for a maximum amount equal to the charges you paid for the Machine that has caused the damages.

The above limitation shall not apply to damages for bodily injuries (including death) and damages to real property and tangible personal property for which Lenovo is legally liable.

2. **UNDER NO CIRCUMSTANCES IS LENOVO, ITS SUPPLIERS, RESELLERS OR SERVICE PROVIDERS LIABLE FOR ANY OF THE FOLLOWING, EVEN IF INFORMED OF THEIR POSSIBILITY: 1) LOSS OF, OR DAMAGE TO, DATA; 2) INCIDENTAL OR INDIRECT DAMAGES, OR FOR ANY ECONOMIC CONSEQUENTIAL DAMAGES; 3) LOST PROFITS, EVEN IF THEY ARISE AS AN IMMEDIATE CONSEQUENCE OF THE EVENT THAT GENERATED THE DAMAGES; OR 4) LOSS OF BUSINESS, REVENUE, GOODWILL, OR ANTICIPATED SAVINGS.**

THE FOLLOWING TERMS APPLY TO THE COUNTRY SPECIFIED:

AUSTRIA

The provisions of this Statement of Limited Warranty replace any applicable statutory warranties.

What this Warranty Covers: *The following replaces the first sentence of the first paragraph of this section:*

The warranty for a Lenovo Machine covers the functionality of the Machine for its normal use and the Machine's conformity to its Specifications.

The following paragraphs are added to this section:

The limitation period for consumers in action for breach of warranty is the statutory period as a minimum. In case your Service Provider is unable to repair a Lenovo Machine, you can alternatively ask for a partial refund as far as justified by the reduced value of the unrepaired Machine or ask for a cancellation of the respective agreement for such Machine and get your money refunded.

The second paragraph does not apply.

What Lenovo Will Do to Correct Problems: *The following is added to this section:*
During the warranty period, Lenovo will reimburse you for the transportation charges for the delivery of the failing Machine to IBM Service.

Limitation of Liability: *The following paragraph is added to this section:*
The limitations and exclusions specified in the Statement of Limited Warranty will not apply to damages caused by Lenovo with fraud or gross negligence and for express warranty.

The following sentence is added to the end of item 2:
Lenovo's liability under this item is limited to the violation of essential contractual terms in cases of ordinary negligence.

EGYPT

Limitation of Liability: *The following replaces item 2 in this section:*
as to any other actual direct damages, Lenovo's liability will be limited to the total amount you paid for the Machine that is the subject of the claim.

Applicability of suppliers, resellers, and Service Providers (unchanged).

FRANCE

Limitation of Liability: *The following replaces the second sentence of the first paragraph of this section:*

In such instances, regardless of the basis on which you are entitled to claim damages from Lenovo, Lenovo is liable for no more than: (items 1 and 2 unchanged).

GERMANY

What this Warranty Covers: *The following replaces the first sentence of the first paragraph of this section:*

The warranty for a Lenovo Machine covers the functionality of the Machine for its normal use and the Machine's conformity to its Specifications.

The following paragraphs are added to this section:

The minimum warranty period for Machines is twelve months. In case your Service Provider is unable to repair a Lenovo Machine, you can alternatively ask for a partial refund as far as justified by the reduced value of the unrepaired Machine or ask for a cancellation of the respective agreement for such Machine and get your money refunded.

The second paragraph does not apply.

What Lenovo Will Do to Correct Problems: *The following is added to this section:*
During the warranty period, transportation for delivery of the failing Machine to Lenovo or IBM service will be at Lenovo's expense.

Limitation of Liability: *The following paragraph is added to this section:*
The limitations and exclusions specified in the Statement of Limited Warranty will not apply to damages caused by Lenovo with fraud or gross negligence and for express warranty.

The following sentence is added to the end of item 2:
Lenovo's liability under this item is limited to the violation of essential contractual terms in cases of ordinary negligence.

HUNGARY

Limitation of Liability: *The following is added at the end of this section:*
The limitation and exclusion specified herein shall not apply to liability for a breach of contract damaging life, physical well-being, or health that has been caused intentionally, by gross negligence, or by a criminal act.

The parties accept the limitations of liability as valid provisions and state that the Section 314.(2) of the Hungarian Civil Code applies as the acquisition price as well as other advantages arising out of the present Statement of Limited Warranty balance this limitation of liability.

IRELAND

What this Warranty Covers: *The following is added to this section:*
Except as expressly provided in these terms and conditions, all statutory conditions, including all warranties implied, but without prejudice to the generality of the foregoing all warranties implied by the Sale of Goods Act 1893 or the Sale of Goods and Supply of Services Act 1980 are hereby excluded.

Limitation of Liability: *The following replaces the terms of section in its entirety:*
For the purposes of this section, a "Default" means any act, statement, omission, or negligence on the part of Lenovo in connection with, or in relation to, the subject matter of this Statement of Limited Warranty in respect of which Lenovo is legally liable to you, whether in contract or tort. A number of Defaults which together result in, or contribute to, substantially the same loss or damage will be treated as one Default occurring on the date of occurrence of the last such Default.

Circumstances may arise where, because of a Default, you are entitled to recover damages from Lenovo.

This section sets out the extent of Lenovo's liability and your sole remedy.

1. Lenovo will accept unlimited liability for death or personal injury caused by the negligence of Lenovo.
2. Subject always to the **Items for Which Lenovo is Not Liable** below, Lenovo will accept unlimited liability for physical damage to your tangible property resulting from the negligence of Lenovo.
3. Except as provided in items 1 and 2 above, Lenovo's entire liability for actual damages for any one Default will not in any event exceed 125% of the amount you paid for the Machine directly relating to the Default.

Items for Which Lenovo is Not Liable

Save with respect to any liability referred to in item 1 above, under no circumstances is Lenovo, its suppliers, resellers or Service Providers liable for any of the following, even if Lenovo or they were informed of the possibility of such losses:

1. loss of, or damage to, data;
2. special, indirect, or consequential loss; or
3. loss of profits, business, revenue, goodwill, or anticipated savings.

SLOVAKIA

Limitation of Liability: *The following is added to the end of the last paragraph:*

The limitations apply to the extent they are not prohibited under §§ 373-386 of the Slovak Commercial Code.

SOUTH AFRICA, NAMIBIA, BOTSWANA, LESOTHO AND SWAZILAND

Limitation of Liability: *The following is added to this section:*

Lenovo's entire liability to you for actual damages arising in all situations involving nonperformance by Lenovo in respect of the subject matter of this Statement of Warranty will be limited to the charge paid by you for the individual Machine that is the subject of your claim from Lenovo.

UNITED KINGDOM

Limitation of Liability: *The following replaces the terms of this section in its entirety:*

For the purposes of this section, a "Default" means any act, statement, omission, or negligence on the part of Lenovo in connection with, or in relation to, the subject matter of this Statement of Limited Warranty in respect of which Lenovo is legally liable to you, whether in contract or tort. A number of Defaults which together result in, or contribute to, substantially the same loss or damage will be treated as one Default.

Circumstances may arise where, because of a Default, you are entitled to recover damages from Lenovo.

This section sets out the extent of Lenovo's liability and your sole remedy.

1. Lenovo will accept unlimited liability for:
 - a. death or personal injury caused by the negligence of Lenovo; and

- b. any breach of its obligations implied by Section 12 of the Sale of Goods Act 1979 or Section 2 of the Supply of Goods and Services Act 1982, or any statutory modification or re-enactment of either such Section.
2. Lenovo will accept unlimited liability, subject always to the **Items for Which Lenovo is Not Liable** below, for physical damage to your tangible property resulting from the negligence of Lenovo.
3. Lenovo's entire liability for actual damages for any one Default will not in any event, except as provided in items 1 and 2 above, exceed 125% of the total purchase price payable or the charges for the Machine directly relating to the Default.

These limits also apply to Lenovo's suppliers, resellers and Service Providers. They state the maximum for which Lenovo and such suppliers, resellers and Service Providers are collectively responsible.

Items for Which Lenovo is Not Liable

Save with respect to any liability referred to in item 1 above, under no circumstances is Lenovo or any of its suppliers, resellers or Service Providers liable for any of the following, even if Lenovo or they were informed of the possibility of such losses:

1. loss of, or damage to, data;
2. special, indirect, or consequential loss; or
3. loss of profits, business, revenue, goodwill, or anticipated savings.

Part 3 - Warranty Information

This Part 3 provides information regarding the warranty applicable to your Machine, including the warranty period and type of warranty service Lenovo provides.

Warranty Period

The warranty period may vary by country or region and is specified in the table below. NOTE: "Region" means either Hong Kong or Macau Special Administrative Region of China.

A warranty period of 1 year on parts and 1 year on labor means that Lenovo provides warranty service during the first year of the warranty period.

Machine Type	Country or Region of Purchase	Warranty Period	Types of Warranty Service
6490	United States, Angola, Botswana, Burundi, Eritrea, Ethiopia, Ghana, Kenya, Liberia, Malawi, Malta, Mozambique, Nigeria, Rwanda, Sao Tome, Sierra Leone, Somalia, Tanzania, Uganda, Zambia, Zimbabwe, Argentina, Bolivia, Belize, Brazil, Chile, Colombia, Costa Rica, Dominican Republic, Ecuador, El Salvador, Guatemala, Haiti, Honduras, Mexico, Nicaragua, Panama, Paraguay, Peru, Uruguay, Venezuela, Brazil, Europe, Middle East, Africa, Australia, New Zealand, Singapore, Malaysia, Thailand, Indonesia, Philippines, Vietnam, Brunei, Sri Lanka, Bangladesh, India, Korea, Hong Kong, Taiwan, (PRC) China, Japan	Parts and Labor - 3 years	5
6491	United States, Angola, Botswana, Burundi, Eritrea, Ethiopia, Ghana, Kenya, Liberia, Malawi, Malta, Mozambique, Nigeria, Rwanda, Sao Tome, Sierra Leone, Somalia, Tanzania, Uganda, Zambia, Zimbabwe, Argentina, Bolivia, Belize, Brazil, Chile, Colombia, Costa Rica, Dominican Republic, Ecuador, El Salvador, Guatemala, Haiti, Honduras, Mexico, Nicaragua, Panama, Paraguay, Peru, Uruguay, Venezuela, Brazil, Europe, Middle East, Africa, Australia, New Zealand, Singapore, Malaysia, Thailand, Indonesia, Philippines, Vietnam, Brunei, Sri Lanka, Bangladesh, India, Korea, Hong Kong, Taiwan, (PRC) China, Japan	Parts and Labor - 3 years	5
8013	United States, Angola, Botswana, Burundi, Eritrea, Ethiopia, Ghana, Kenya, Liberia, Malawi, Malta, Mozambique, Nigeria, Rwanda, Sao Tome, Sierra Leone, Somalia, Tanzania, Uganda, Zambia, Zimbabwe, Argentina, Bolivia, Belize, Brazil, Chile, Colombia, Costa Rica, Dominican Republic, Ecuador, El Salvador, Guatemala, Haiti, Honduras, Mexico, Nicaragua, Panama, Paraguay, Peru, Uruguay, Venezuela, Brazil, Europe, Middle East, Africa, Australia, New Zealand, Singapore, Malaysia, Thailand, Indonesia, Philippines, Vietnam, Brunei, Sri Lanka, Bangladesh, India, Korea, Hong Kong, Taiwan, (PRC) China	Parts and Labor - 1 year	5
8013	Japan	Parts and Labor - 1 year	6

Machine Type	Country or Region of Purchase	Warranty Period	Types of Warranty Service
8700	United States, Angola, Botswana, Burundi, Eritrea, Ethiopia, Ghana, Kenya, Liberia, Malawi, Malta, Mozambique, Nigeria, Rwanda, Sao Tome, Sierra Leone, Somalia, Tanzania, Uganda, Zambia, Zimbabwe, Argentina, Bolivia, Belize, Brazil, Chile, Colombia, Costa Rica, Dominican Republic, Ecuador, El Salvador, Guatemala, Haiti, Honduras, Mexico, Nicaragua, Panama, Paraguay, Peru, Uruguay, Venezuela, Brazil, Europe, Middle East, Africa, Australia, New Zealand, Singapore, Malaysia, Thailand, Indonesia, Philippines, Vietnam, Brunei, Sri Lanka, Bangladesh, India, Korea, Hong Kong, Taiwan, (PRC) China	Parts and Labor - 1 year	5
8700	Japan	Parts and Labor - 1 year	6
8701	United States, Angola, Botswana, Burundi, Eritrea, Ethiopia, Ghana, Kenya, Liberia, Malawi, Malta, Mozambique, Nigeria, Rwanda, Sao Tome, Sierra Leone, Somalia, Tanzania, Uganda, Zambia, Zimbabwe, Argentina, Bolivia, Belize, Brazil, Chile, Colombia, Costa Rica, Dominican Republic, Ecuador, El Salvador, Guatemala, Haiti, Honduras, Mexico, Nicaragua, Panama, Paraguay, Peru, Uruguay, Venezuela, Brazil, Europe, Middle East, Africa, Australia, New Zealand, Singapore, Malaysia, Thailand, Indonesia, Philippines, Vietnam, Brunei, Sri Lanka, Bangladesh, India, Korea, Hong Kong, Taiwan, (PRC) China	Parts and Labor - 1 year	5
8701	Japan	Parts and Labor - 1 year	6
8702	United States, Angola, Botswana, Burundi, Eritrea, Ethiopia, Ghana, Kenya, Liberia, Malawi, Malta, Mozambique, Nigeria, Rwanda, Sao Tome, Sierra Leone, Somalia, Tanzania, Uganda, Zambia, Zimbabwe, Argentina, Bolivia, Belize, Brazil, Chile, Colombia, Costa Rica, Dominican Republic, Ecuador, El Salvador, Guatemala, Haiti, Honduras, Mexico, Nicaragua, Panama, Paraguay, Peru, Uruguay, Venezuela, Brazil, Europe, Middle East, Africa, Australia, New Zealand, Singapore, Malaysia, Thailand, Indonesia, Philippines, Vietnam, Brunei, Sri Lanka, Bangladesh, India, Korea, Hong Kong, Taiwan, (PRC) China	Parts and Labor - 1 year	5

Machine Type	Country or Region of Purchase	Warranty Period	Types of Warranty Service
8702	Japan	Parts and Labor - 1 year	6
8705	United States, Angola, Botswana, Burundi, Eritrea, Ethiopia, Ghana, Kenya, Liberia, Malawi, Malta, Mozambique, Nigeria, Rwanda, Sao Tome, Sierra Leone, Somalia, Tanzania, Uganda, Zambia, Zimbabwe, Argentina, Bolivia, Belize, Brazil, Chile, Colombia, Costa Rica, Dominican Republic, Ecuador, El Salvador, Guatemala, Haiti, Honduras, Mexico, Nicaragua, Panama, Paraguay, Peru, Uruguay, Venezuela, Brazil, Europe, Middle East, Africa, Australia, New Zealand, Singapore, Malaysia, Thailand, Indonesia, Philippines, Vietnam, Brunei, Sri Lanka, Bangladesh, India, Korea, Hong Kong, Taiwan, (PRC) China	Parts and Labor - 1 year	5
8705	Japan	Parts and Labor - 1 year	6
8706	United States, Angola, Botswana, Burundi, Eritrea, Ethiopia, Ghana, Kenya, Liberia, Malawi, Malta, Mozambique, Nigeria, Rwanda, Sao Tome, Sierra Leone, Somalia, Tanzania, Uganda, Zambia, Zimbabwe, Argentina, Bolivia, Belize, Brazil, Chile, Colombia, Costa Rica, Dominican Republic, Ecuador, El Salvador, Guatemala, Haiti, Honduras, Mexico, Nicaragua, Panama, Paraguay, Peru, Uruguay, Venezuela, Brazil, Europe, Middle East, Africa, Australia, New Zealand, Singapore, Malaysia, Thailand, Indonesia, Philippines, Vietnam, Brunei, Sri Lanka, Bangladesh, India, Korea, Hong Kong, Taiwan, (PRC) China	Parts and Labor - 1 year	5
8706	Japan	Parts and Labor - 1 year	6
8716	Europe, Middle East, Africa	Parts and Labor - 1 year	7
8717	Europe, Middle East, Africa	Parts and Labor - 1 year	7
8970	Europe, Middle East, Africa	Parts and Labor - 1 year	7

Machine Type	Country or Region of Purchase	Warranty Period	Types of Warranty Service
8972	Europe, Middle East, Africa	Parts and Labor - 1 year	7
8973	Europe, Middle East, Africa	Parts and Labor - 1 year	7
8975	Europe, Middle East, Africa	Parts and Labor - 1 year	7
8976	Australia, New Zealand, Singapore, Malaysia, Thailand, Indonesia, Philippines, Vietnam, Brunei, Sri Lanka, Bangladesh, India, Korea, Hong Kong, Taiwan, (PRC) China	Parts - 3 years Labor - 1 year	5
8976	Europe, Middle East, Africa	Parts and Labor - 3	7
8979	Australia, New Zealand, Singapore, Malaysia, Thailand, Indonesia, Philippines, Vietnam, Brunei, Sri Lanka, Bangladesh, India, Korea, Hong Kong, Taiwan, (PRC) China	Parts - 3 years Labor - 1 year	5
8979	Europe, Middle East, Africa	Parts and Labor - 3	7
8980	Australia, New Zealand, Singapore, Malaysia, Thailand, Indonesia, Philippines, Vietnam, Brunei, Sri Lanka, Bangladesh, India, Korea, Hong Kong, Taiwan, (PRC) China	Parts - 3 years Labor - 1 year	5
8980	Europe, Middle East, Africa	Parts and Labor - 3	7
8982	Australia, New Zealand, Singapore, Malaysia, Thailand, Indonesia, Philippines, Vietnam, Brunei, Sri Lanka, Bangladesh, India, Korea, Hong Kong, Taiwan, (PRC) China	Parts - 3 years Labor - 1 year	5
8982	Europe, Middle East, Africa	Parts and Labor - 3	7
8983	Australia, New Zealand, Singapore, Malaysia, Thailand, Indonesia, Philippines, Vietnam, Brunei, Sri Lanka, Bangladesh, India, Korea, Hong Kong, Taiwan, (PRC) China	Parts - 3 years Labor - 1 year	5
8983	Europe, Middle East, Africa	Parts and Labor - 3	7
8985	Australia, New Zealand, Singapore, Malaysia, Thailand, Indonesia, Philippines, Vietnam, Brunei, Sri Lanka, Bangladesh, India, Korea, Hong Kong, Taiwan, (PRC) China	Parts - 3 years Labor - 1 year	5

Machine Type	Country or Region of Purchase	Warranty Period	Types of Warranty Service
8985	Europe, Middle East, Africa	Parts and Labor - 3	7
8986	United States, Angola, Botswana, Burundi, Eritrea, Ethiopia, Ghana, Kenya, Liberia, Malawi, Malta, Mozambique, Nigeria, Rwanda, Sao Tome, Sierra Leone, Somalia, Tanzania, Uganda, Zambia, Zimbabwe, Argentina, Bolivia, Belize, Brazil, Chile, Colombia, Costa Rica, Dominican Republic, Ecuador, El Salvador, Guatemala, Haiti, Honduras, Mexico, Nicaragua, Panama, Paraguay, Peru, Uruguay, Venezuela, Brazil, Europe, Middle East, Africa, Australia, New Zealand, Singapore, Malaysia, Thailand, Indonesia, Philippines, Vietnam, Brunei, Sri Lanka, Bangladesh, Korea, Hong Kong, Taiwan, (PRC) China	Parts and Labor - 3 years	5
8991	United States, Angola, Botswana, Burundi, Eritrea, Ethiopia, Ghana, Kenya, Liberia, Malawi, Malta, Mozambique, Nigeria, Rwanda, Sao Tome, Sierra Leone, Somalia, Tanzania, Uganda, Zambia, Zimbabwe, Argentina, Bolivia, Belize, Brazil, Chile, Colombia, Costa Rica, Dominican Republic, Ecuador, El Salvador, Guatemala, Haiti, Honduras, Mexico, Nicaragua, Panama, Paraguay, Peru, Uruguay, Venezuela, Brazil, Europe, Middle East, Africa, Australia, New Zealand, Singapore, Malaysia, Thailand, Indonesia, Philippines, Vietnam, Brunei, Sri Lanka, Bangladesh, Korea, Hong Kong, Taiwan, (PRC) China	Parts and Labor - 3 years	5
8992	United States, Angola, Botswana, Burundi, Eritrea, Ethiopia, Ghana, Kenya, Liberia, Malawi, Malta, Mozambique, Nigeria, Rwanda, Sao Tome, Sierra Leone, Somalia, Tanzania, Uganda, Zambia, Zimbabwe, Argentina, Bolivia, Belize, Brazil, Chile, Colombia, Costa Rica, Dominican Republic, Ecuador, El Salvador, Guatemala, Haiti, Honduras, Mexico, Nicaragua, Panama, Paraguay, Peru, Uruguay, Venezuela, Brazil, Europe, Middle East, Africa, Australia, New Zealand, Singapore, Malaysia, Thailand, Indonesia, Philippines, Vietnam, Brunei, Sri Lanka, Bangladesh, Korea, Hong Kong, Taiwan, (PRC) China	Parts and Labor - 3 years	5

Machine Type	Country or Region of Purchase	Warranty Period	Types of Warranty Service
8994	United States, Angola, Botswana, Burundi, Eritrea, Ethiopia, Ghana, Kenya, Liberia, Malawi, Malta, Mozambique, Nigeria, Rwanda, Sao Tome, Sierra Leone, Somalia, Tanzania, Uganda, Zambia, Zimbabwe, Argentina, Bolivia, Belize, Brazil, Chile, Colombia, Costa Rica, Dominican Republic, Ecuador, El Salvador, Guatemala, Haiti, Honduras, Mexico, Nicaragua, Panama, Paraguay, Peru, Uruguay, Venezuela, Brazil, Europe, Middle East, Africa, Australia, New Zealand, Singapore, Malaysia, Thailand, Indonesia, Philippines, Vietnam, Brunei, Sri Lanka, Bangladesh, Korea, Hong Kong, Taiwan, (PRC) China	Parts and Labor - 3 years	5
8995	United States, Angola, Botswana, Burundi, Eritrea, Ethiopia, Ghana, Kenya, Liberia, Malawi, Malta, Mozambique, Nigeria, Rwanda, Sao Tome, Sierra Leone, Somalia, Tanzania, Uganda, Zambia, Zimbabwe, Argentina, Bolivia, Belize, Brazil, Chile, Colombia, Costa Rica, Dominican Republic, Ecuador, El Salvador, Guatemala, Haiti, Honduras, Mexico, Nicaragua, Panama, Paraguay, Peru, Uruguay, Venezuela, Brazil, Europe, Middle East, Africa, Australia, New Zealand, Singapore, Malaysia, Thailand, Indonesia, Philippines, Vietnam, Brunei, Sri Lanka, Bangladesh, Korea, Hong Kong, Taiwan, (PRC) China	Parts and Labor - 3 years	5
9265	United States, Angola, Botswana, Burundi, Eritrea, Ethiopia, Ghana, Kenya, Liberia, Malawi, Malta, Mozambique, Nigeria, Rwanda, Sao Tome, Sierra Leone, Somalia, Tanzania, Uganda, Zambia, Zimbabwe, Argentina, Bolivia, Belize, Brazil, Chile, Colombia, Costa Rica, Dominican Republic, Ecuador, El Salvador, Guatemala, Haiti, Honduras, Mexico, Nicaragua, Panama, Paraguay, Peru, Uruguay, Venezuela, Brazil, Europe, Middle East, Africa, Australia, New Zealand, Singapore, Malaysia, Thailand, Indonesia, Philippines, Vietnam, Brunei, Sri Lanka, Bangladesh, Korea, Hong Kong, Taiwan, (PRC) China	Parts and Labor - 3 years	5

Machine Type	Country or Region of Purchase	Warranty Period	Types of Warranty Service
9266	United States, Angola, Botswana, Burundi, Eritrea, Ethiopia, Ghana, Kenya, Liberia, Malawi, Malta, Mozambique, Nigeria, Rwanda, Sao Tome, Sierra Leone, Somalia, Tanzania, Uganda, Zambia, Zimbabwe, Argentina, Bolivia, Belize, Brazil, Chile, Colombia, Costa Rica, Dominican Republic, Ecuador, El Salvador, Guatemala, Haiti, Honduras, Mexico, Nicaragua, Panama, Paraguay, Peru, Uruguay, Venezuela, Brazil, Europe, Middle East, Africa, Australia, New Zealand, Singapore, Malaysia, Thailand, Indonesia, Philippines, Vietnam, Brunei, Sri Lanka, Bangladesh, India, Korea, Hong Kong, Taiwan	Parts and Labor - 1 year	5
9266	Japan	Parts and Labor - 1 year	6
9269	United States, Angola, Botswana, Burundi, Eritrea, Ethiopia, Ghana, Kenya, Liberia, Malawi, Malta, Mozambique, Nigeria, Rwanda, Sao Tome, Sierra Leone, Somalia, Tanzania, Uganda, Zambia, Zimbabwe, Argentina, Bolivia, Belize, Brazil, Chile, Colombia, Costa Rica, Dominican Republic, Ecuador, El Salvador, Guatemala, Haiti, Honduras, Mexico, Nicaragua, Panama, Paraguay, Peru, Uruguay, Venezuela, Brazil, Europe, Middle East, Africa, Australia, New Zealand, Singapore, Malaysia, Thailand, Indonesia, Philippines, Vietnam, Brunei, Sri Lanka, Bangladesh, India, Korea, Hong Kong, Taiwan	Parts and Labor - 1 year	5
9269	Japan	Parts and Labor - 1 year	6
9276	United States, Angola, Botswana, Burundi, Eritrea, Ethiopia, Ghana, Kenya, Liberia, Malawi, Malta, Mozambique, Nigeria, Rwanda, Sao Tome, Sierra Leone, Somalia, Tanzania, Uganda, Zambia, Zimbabwe, Argentina, Bolivia, Belize, Brazil, Chile, Colombia, Costa Rica, Dominican Republic, Ecuador, El Salvador, Guatemala, Haiti, Honduras, Mexico, Nicaragua, Panama, Paraguay, Peru, Uruguay, Venezuela, Brazil, Europe, Middle East, Africa, Australia, New Zealand, Singapore, Malaysia, Thailand, Indonesia, Philippines, Vietnam, Brunei, Sri Lanka, Bangladesh, India, Korea, Hong Kong, Taiwan	Parts and Labor - 1 year	5

Machine Type	Country or Region of Purchase	Warranty Period	Types of Warranty Service
9276	Japan	Parts and Labor - 1 year	6
9277	United States, Angola, Botswana, Burundi, Eritrea, Ethiopia, Ghana, Kenya, Liberia, Malawi, Malta, Mozambique, Nigeria, Rwanda, Sao Tome, Sierra Leone, Somalia, Tanzania, Uganda, Zambia, Zimbabwe, Argentina, Bolivia, Belize, Brazil, Chile, Colombia, Costa Rica, Dominican Republic, Ecuador, El Salvador, Guatemala, Haiti, Honduras, Mexico, Nicaragua, Panama, Paraguay, Peru, Uruguay, Venezuela, Brazil, Europe, Middle East, Africa, Australia, New Zealand, Singapore, Malaysia, Thailand, Indonesia, Philippines, Vietnam, Brunei, Sri Lanka, Bangladesh, India, Korea, Hong Kong, Taiwan	Parts and Labor - 1 year	5
9277	Japan	Parts and Labor - 1 year	6
9278	United States, Angola, Botswana, Burundi, Eritrea, Ethiopia, Ghana, Kenya, Liberia, Malawi, Malta, Mozambique, Nigeria, Rwanda, Sao Tome, Sierra Leone, Somalia, Tanzania, Uganda, Zambia, Zimbabwe, Argentina, Bolivia, Belize, Brazil, Chile, Colombia, Costa Rica, Dominican Republic, Ecuador, El Salvador, Guatemala, Haiti, Honduras, Mexico, Nicaragua, Panama, Paraguay, Peru, Uruguay, Venezuela, Brazil, Europe, Middle East, Africa, Australia, New Zealand, Singapore, Malaysia, Thailand, Indonesia, Philippines, Vietnam, Brunei, Sri Lanka, Bangladesh, India, Korea, Hong Kong, Taiwan	Parts and Labor - 1 year	5
9278	Japan	Parts and Labor - 1 year	6

Machine Type	Country or Region of Purchase	Warranty Period	Types of Warranty Service
9279	United States, Angola, Botswana, Burundi, Eritrea, Ethiopia, Ghana, Kenya, Liberia, Malawi, Malta, Mozambique, Nigeria, Rwanda, Sao Tome, Sierra Leone, Somalia, Tanzania, Uganda, Zambia, Zimbabwe, Argentina, Bolivia, Belize, Brazil, Chile, Colombia, Costa Rica, Dominican Republic, Ecuador, El Salvador, Guatemala, Haiti, Honduras, Mexico, Nicaragua, Panama, Paraguay, Peru, Uruguay, Venezuela, Brazil, Europe, Middle East, Africa, Australia, New Zealand, Singapore, Malaysia, Thailand, Indonesia, Philippines, Vietnam, Brunei, Sri Lanka, Bangladesh, India, Korea, Hong Kong, Taiwan	Parts and Labor - 1 year	5
9279	Japan	Parts and Labor - 1 year	6
9282	Argentina, Bolivia, Belize, Brazil, Chile, Colombia, Costa Rica, Dominican Republic, Ecuador, El Salvador, Guatemala, Haiti, Honduras, Mexico, Nicaragua, Panama, Paraguay, Peru, Uruguay, Venezuela, Brazil, Europe, Middle East, Africa	Parts and Labor - 1 year	7
9283	Argentina, Bolivia, Belize, Brazil, Chile, Colombia, Costa Rica, Dominican Republic, Ecuador, El Salvador, Guatemala, Haiti, Honduras, Mexico, Nicaragua, Panama, Paraguay, Peru, Uruguay, Venezuela, Brazil, Europe, Middle East, Africa	Parts and Labor - 1 year	7
9286	Argentina, Bolivia, Belize, Brazil, Chile, Colombia, Costa Rica, Dominican Republic, Ecuador, El Salvador, Guatemala, Haiti, Honduras, Mexico, Nicaragua, Panama, Paraguay, Peru, Uruguay, Venezuela, Brazil, Europe, Middle East, Africa	Parts and Labor - 1 year	7
9287	Argentina, Bolivia, Belize, Brazil, Chile, Colombia, Costa Rica, Dominican Republic, Ecuador, El Salvador, Guatemala, Haiti, Honduras, Mexico, Nicaragua, Panama, Paraguay, Peru, Uruguay, Venezuela, Brazil, Europe, Middle East, Africa	Parts and Labor - 1 year	7
9288	Argentina, Bolivia, Belize, Brazil, Chile, Colombia, Costa Rica, Dominican Republic, Ecuador, El Salvador, Guatemala, Haiti, Honduras, Mexico, Nicaragua, Panama, Paraguay, Peru, Uruguay, Venezuela, Brazil, Europe, Middle East, Africa	Parts and Labor - 1 year	7
9374	Australia, New Zealand, Singapore, Malaysia, Thailand, Indonesia, Philippines, Vietnam, Brunei, Sri Lanka, Bangladesh, India, Korea, Hong Kong, Taiwan, (PRC) China	Parts - 3 years Labor - 1 year	5

Machine Type	Country or Region of Purchase	Warranty Period	Types of Warranty Service
9374	Europe, Middle East, Africa	Parts and Labor - 3 years	7
9378	Australia, New Zealand, Singapore, Malaysia, Thailand, Indonesia, Philippines, Vietnam, Brunei, Sri Lanka, Bangladesh, India, Korea, Hong Kong, Taiwan, (PRC) China	Parts - 3 years Labor - 1 year	5
9378	Europe, Middle East, Africa	Parts and Labor - 3 years	7
9379	Argentina, Bolivia, Belize, Brazil, Chile, Colombia, Costa Rica, Dominican Republic, Ecuador, El Salvador, Guatemala, Haiti, Honduras, Mexico, Nicaragua, Panama, Paraguay, Peru, Uruguay, Venezuela, Brazil, Europe, Middle East, Africa	Parts and Labor - 1 year	7
9380	Australia, New Zealand, Singapore, Malaysia, Thailand, Indonesia, Philippines, Vietnam, Brunei, Sri Lanka, Bangladesh, India, Korea, Hong Kong, Taiwan, (PRC) China	Parts - 3 years Labor - 1 year	5
9380	Europe, Middle East, Africa	Parts and Labor - 3 years	7
9383	Australia, New Zealand, Singapore, Malaysia, Thailand, Indonesia, Philippines, Vietnam, Brunei, Sri Lanka, Bangladesh, India, Korea, Hong Kong, Taiwan, (PRC) China	Parts - 3 years Labor - 1 year	5
9383	Europe, Middle East, Africa	Parts and Labor - 3 years	7
9384	United States, Angola, Botswana, Burundi, Eritrea, Ethiopia, Ghana, Kenya, Liberia, Malawi, Malta, Mozambique, Nigeria, Rwanda, Sao Tome, Sierra Leone, Somalia, Tanzania, Uganda, Zambia, Zimbabwe, Argentina, Bolivia, Belize, Brazil, Chile, Colombia, Costa Rica, Dominican Republic, Ecuador, El Salvador, Guatemala, Haiti, Honduras, Mexico, Nicaragua, Panama, Paraguay, Peru, Uruguay, Venezuela, Brazil, Europe, Middle East, Africa, Australia, New Zealand, Singapore, Malaysia, Thailand, Indonesia, Philippines, Vietnam, Brunei, Sri Lanka, Bangladesh, India, Korea, Hong Kong, Taiwan, (PRC) China	Parts and Labor - 3 years	5

Machine Type	Country or Region of Purchase	Warranty Period	Types of Warranty Service
9387	Australia, New Zealand, Singapore, Malaysia, Thailand, Indonesia, Philippines, Vietnam, Brunei, Sri Lanka, Bangladesh, India, Korea, Hong Kong, Taiwan, (PRC) China	Parts - 3 years Labor - 1 year	5
9387	Europe, Middle East, Africa	Parts and Labor - 3 years	7
9389	Australia, New Zealand, Singapore, Malaysia, Thailand, Indonesia, Philippines, Vietnam, Brunei, Sri Lanka, Bangladesh, India, Korea, Hong Kong, Taiwan, (PRC) China	Parts - 3 years Labor - 1 year	5
9389	Europe, Middle East, Africa	Parts and Labor - 3 years	7
9628	United States, Angola, Botswana, Burundi, Eritrea, Ethiopia, Ghana, Kenya, Liberia, Malawi, Malta, Mozambique, Nigeria, Rwanda, Sao Tome, Sierra Leone, Somalia, Tanzania, Uganda, Zambia, Zimbabwe, Argentina, Bolivia, Belize, Brazil, Chile, Colombia, Costa Rica, Dominican Republic, Ecuador, El Salvador, Guatemala, Haiti, Honduras, Mexico, Nicaragua, Panama, Paraguay, Peru, Uruguay, Venezuela, Brazil, Europe, Middle East, Africa, Australia, New Zealand, Singapore, Malaysia, Thailand, Indonesia, Philippines, Vietnam, Brunei, Sri Lanka, Bangladesh, India, Korea, Hong Kong, Taiwan, (PRC) China	Parts and Labor - 3 years	5
9631	United States, Angola, Botswana, Burundi, Eritrea, Ethiopia, Ghana, Kenya, Liberia, Malawi, Malta, Mozambique, Nigeria, Rwanda, Sao Tome, Sierra Leone, Somalia, Tanzania, Uganda, Zambia, Zimbabwe, Argentina, Bolivia, Belize, Brazil, Chile, Colombia, Costa Rica, Dominican Republic, Ecuador, El Salvador, Guatemala, Haiti, Honduras, Mexico, Nicaragua, Panama, Paraguay, Peru, Uruguay, Venezuela, Brazil, Europe, Middle East, Africa, Australia, New Zealand, Singapore, Malaysia, Thailand, Indonesia, Philippines, Vietnam, Brunei, Sri Lanka, Bangladesh, India, Korea, Hong Kong, Taiwan, (PRC) China	Parts and Labor - 3 years	5

Machine Type	Country or Region of Purchase	Warranty Period	Types of Warranty Service
9632	United States, Angola, Botswana, Burundi, Eritrea, Ethiopia, Ghana, Kenya, Liberia, Malawi, Malta, Mozambique, Nigeria, Rwanda, Sao Tome, Sierra Leone, Somalia, Tanzania, Uganda, Zambia, Zimbabwe, Argentina, Bolivia, Belize, Brazil, Chile, Colombia, Costa Rica, Dominican Republic, Ecuador, El Salvador, Guatemala, Haiti, Honduras, Mexico, Nicaragua, Panama, Paraguay, Peru, Uruguay, Venezuela, Brazil, Europe, Middle East, Africa, Australia, New Zealand, Singapore, Malaysia, Thailand, Indonesia, Philippines, Vietnam, Brunei, Sri Lanka, Bangladesh, India, Korea, Hong Kong, Taiwan, (PRC) China	Parts and Labor - 3 years	5
9635	United States, Angola, Botswana, Burundi, Eritrea, Ethiopia, Ghana, Kenya, Liberia, Malawi, Malta, Mozambique, Nigeria, Rwanda, Sao Tome, Sierra Leone, Somalia, Tanzania, Uganda, Zambia, Zimbabwe, Argentina, Bolivia, Belize, Brazil, Chile, Colombia, Costa Rica, Dominican Republic, Ecuador, El Salvador, Guatemala, Haiti, Honduras, Mexico, Nicaragua, Panama, Paraguay, Peru, Uruguay, Venezuela, Brazil, Europe, Middle East, Africa, Australia, New Zealand, Singapore, Malaysia, Thailand, Indonesia, Philippines, Vietnam, Brunei, Sri Lanka, Bangladesh, India, Korea, Hong Kong, Taiwan, (PRC) China	Parts and Labor - 3 years	5
9636	United States, Angola, Botswana, Burundi, Eritrea, Ethiopia, Ghana, Kenya, Liberia, Malawi, Malta, Mozambique, Nigeria, Rwanda, Sao Tome, Sierra Leone, Somalia, Tanzania, Uganda, Zambia, Zimbabwe, Argentina, Bolivia, Belize, Brazil, Chile, Colombia, Costa Rica, Dominican Republic, Ecuador, El Salvador, Guatemala, Haiti, Honduras, Mexico, Nicaragua, Panama, Paraguay, Peru, Uruguay, Venezuela, Brazil, Europe, Middle East, Africa, Australia, New Zealand, Singapore, Malaysia, Thailand, Indonesia, Philippines, Vietnam, Brunei, Sri Lanka, Bangladesh, India, Korea, Hong Kong, Taiwan, (PRC) China	Parts and Labor - 1 year	5
9636	Japan	Parts and Labor - 1 year	6

Machine Type	Country or Region of Purchase	Warranty Period	Types of Warranty Service
9637	United States, Angola, Botswana, Burundi, Eritrea, Ethiopia, Ghana, Kenya, Liberia, Malawi, Malta, Mozambique, Nigeria, Rwanda, Sao Tome, Sierra Leone, Somalia, Tanzania, Uganda, Zambia, Zimbabwe, Argentina, Bolivia, Belize, Brazil, Chile, Colombia, Costa Rica, Dominican Republic, Ecuador, El Salvador, Guatemala, Haiti, Honduras, Mexico, Nicaragua, Panama, Paraguay, Peru, Uruguay, Venezuela, Brazil, Europe, Middle East, Africa, Australia, New Zealand, Singapore, Malaysia, Thailand, Indonesia, Philippines, Vietnam, Brunei, Sri Lanka, Bangladesh, India, Korea, Hong Kong, Taiwan, (PRC) China	Parts and Labor - 3 years	5
9638	Europe, Middle East, Africa	Parts and Labor - 1 year	7
9640	Australia, New Zealand, Singapore, Malaysia, Thailand, Indonesia, Philippines, Vietnam, Brunei, Sri Lanka, Bangladesh, India, Korea, Hong Kong, Taiwan, (PRC) China	Parts - 3 years Labor - 1 year	5
9640	Europe, Middle East, Africa	Parts and Labor - 3	7
9641	United States, Angola, Botswana, Burundi, Eritrea, Ethiopia, Ghana, Kenya, Liberia, Malawi, Malta, Mozambique, Nigeria, Rwanda, Sao Tome, Sierra Leone, Somalia, Tanzania, Uganda, Zambia, Zimbabwe, Argentina, Bolivia, Belize, Brazil, Chile, Colombia, Costa Rica, Dominican Republic, Ecuador, El Salvador, Guatemala, Haiti, Honduras, Mexico, Nicaragua, Panama, Paraguay, Peru, Uruguay, Venezuela, Brazil, Europe, Middle East, Africa, Australia, New Zealand, Singapore, Malaysia, Thailand, Indonesia, Philippines, Vietnam, Brunei, Sri Lanka, Bangladesh, Korea, Hong Kong, Taiwan, (PRC) China	Parts and Labor - 3 years	5

Machine Type	Country or Region of Purchase	Warranty Period	Types of Warranty Service
9642	United States, Angola, Botswana, Burundi, Eritrea, Ethiopia, Ghana, Kenya, Liberia, Malawi, Malta, Mozambique, Nigeria, Rwanda, Sao Tome, Sierra Leone, Somalia, Tanzania, Uganda, Zambia, Zimbabwe, Argentina, Bolivia, Belize, Brazil, Chile, Colombia, Costa Rica, Dominican Republic, Ecuador, El Salvador, Guatemala, Haiti, Honduras, Mexico, Nicaragua, Panama, Paraguay, Peru, Uruguay, Venezuela, Brazil, Europe, Middle East, Africa, Australia, New Zealand, Singapore, Malaysia, Thailand, Indonesia, Philippines, Vietnam, Brunei, Sri Lanka, Bangladesh, India, Korea, Hong Kong, Taiwan	Parts and Labor - 1 year	5
9642	Japan	Parts and Labor - 1 year	6
9643	Argentina, Bolivia, Belize, Brazil, Chile, Colombia, Costa Rica, Dominican Republic, Ecuador, El Salvador, Guatemala, Haiti, Honduras, Mexico, Nicaragua, Panama, Paraguay, Peru, Uruguay, Venezuela, Brazil, Europe, Middle East, Africa	Parts and Labor - 1 year	7
9644	Australia, New Zealand, Singapore, Malaysia, Thailand, Indonesia, Philippines, Vietnam, Brunei, Sri Lanka, Bangladesh, India, Korea, Hong Kong, Taiwan, (PRC) China	Parts - 3 years Labor - 1 year	5
9644	Europe, Middle East, Africa	Parts and Labor - 3 years	7
9645	United States, Angola, Botswana, Burundi, Eritrea, Ethiopia, Ghana, Kenya, Liberia, Malawi, Malta, Mozambique, Nigeria, Rwanda, Sao Tome, Sierra Leone, Somalia, Tanzania, Uganda, Zambia, Zimbabwe, Argentina, Bolivia, Belize, Brazil, Chile, Colombia, Costa Rica, Dominican Republic, Ecuador, El Salvador, Guatemala, Haiti, Honduras, Mexico, Nicaragua, Panama, Paraguay, Peru, Uruguay, Venezuela, Brazil, Europe, Middle East, Africa, Australia, New Zealand, Singapore, Malaysia, Thailand, Indonesia, Philippines, Vietnam, Brunei, Sri Lanka, Bangladesh, India, Korea, Hong Kong, Taiwan, (PRC) China	Parts and Labor - 3 years	5

Machine Type	Country or Region of Purchase	Warranty Period	Types of Warranty Service
9646	United States, Angola, Botswana, Burundi, Eritrea, Ethiopia, Ghana, Kenya, Liberia, Malawi, Malta, Mozambique, Nigeria, Rwanda, Sao Tome, Sierra Leone, Somalia, Tanzania, Uganda, Zambia, Zimbabwe, Argentina, Bolivia, Belize, Brazil, Chile, Colombia, Costa Rica, Dominican Republic, Ecuador, El Salvador, Guatemala, Haiti, Honduras, Mexico, Nicaragua, Panama, Paraguay, Peru, Uruguay, Venezuela, Brazil, Europe, Middle East, Africa, Australia, New Zealand, Singapore, Malaysia, Thailand, Indonesia, Philippines, Vietnam, Brunei, Sri Lanka, Bangladesh, India, Korea, Hong Kong, Taiwan, (PRC) China, Japan	Parts and Labor - 4 years	5
9647	United States, Angola, Botswana, Burundi, Eritrea, Ethiopia, Ghana, Kenya, Liberia, Malawi, Malta, Mozambique, Nigeria, Rwanda, Sao Tome, Sierra Leone, Somalia, Tanzania, Uganda, Zambia, Zimbabwe, Argentina, Bolivia, Belize, Brazil, Chile, Colombia, Costa Rica, Dominican Republic, Ecuador, El Salvador, Guatemala, Haiti, Honduras, Mexico, Nicaragua, Panama, Paraguay, Peru, Uruguay, Venezuela, Brazil, Europe, Middle East, Africa, Australia, New Zealand, Singapore, Malaysia, Thailand, Indonesia, Philippines, Vietnam, Brunei, Sri Lanka, Bangladesh, India, Korea, Hong Kong, Taiwan, (PRC) China, Japan	Parts and Labor - 4 years	5
9648	United States, Angola, Botswana, Burundi, Eritrea, Ethiopia, Ghana, Kenya, Liberia, Malawi, Malta, Mozambique, Nigeria, Rwanda, Sao Tome, Sierra Leone, Somalia, Tanzania, Uganda, Zambia, Zimbabwe, Argentina, Bolivia, Belize, Brazil, Chile, Colombia, Costa Rica, Dominican Republic, Ecuador, El Salvador, Guatemala, Haiti, Honduras, Mexico, Nicaragua, Panama, Paraguay, Peru, Uruguay, Venezuela, Brazil, Europe, Middle East, Africa, Australia, New Zealand, Singapore, Malaysia, Thailand, Indonesia, Philippines, Vietnam, Brunei, Sri Lanka, Bangladesh, India, Korea, Hong Kong, Taiwan, (PRC) China, Japan	Parts and Labor - 4 years	5

Machine Type	Country or Region of Purchase	Warranty Period	Types of Warranty Service
9649	United States, Angola, Botswana, Burundi, Eritrea, Ethiopia, Ghana, Kenya, Liberia, Malawi, Malta, Mozambique, Nigeria, Rwanda, Sao Tome, Sierra Leone, Somalia, Tanzania, Uganda, Zambia, Zimbabwe, Argentina, Bolivia, Belize, Brazil, Chile, Colombia, Costa Rica, Dominican Republic, Ecuador, El Salvador, Guatemala, Haiti, Honduras, Mexico, Nicaragua, Panama, Paraguay, Peru, Uruguay, Venezuela, Brazil, Europe, Middle East, Africa, Australia, New Zealand, Singapore, Malaysia, Thailand, Indonesia, Philippines, Vietnam, Brunei, Sri Lanka, Bangladesh, India, Korea, Hong Kong, Taiwan, (PRC) China, Japan	Parts and Labor - 4 years	5
9694	United States, Angola, Botswana, Burundi, Eritrea, Ethiopia, Ghana, Kenya, Liberia, Malawi, Malta, Mozambique, Nigeria, Rwanda, Sao Tome, Sierra Leone, Somalia, Tanzania, Uganda, Zambia, Zimbabwe, Argentina, Bolivia, Belize, Brazil, Chile, Colombia, Costa Rica, Dominican Republic, Ecuador, El Salvador, Guatemala, Haiti, Honduras, Mexico, Nicaragua, Panama, Paraguay, Peru, Uruguay, Venezuela, Brazil, Europe, Middle East, Africa, Australia, New Zealand, Singapore, Malaysia, Thailand, Indonesia, Philippines, Vietnam, Brunei, Sri Lanka, Bangladesh, India, Korea, Hong Kong, Taiwan, (PRC) China, Japan	Parts and Labor - 3 years	5
9695	United States, Angola, Botswana, Burundi, Eritrea, Ethiopia, Ghana, Kenya, Liberia, Malawi, Malta, Mozambique, Nigeria, Rwanda, Sao Tome, Sierra Leone, Somalia, Tanzania, Uganda, Zambia, Zimbabwe, Argentina, Bolivia, Belize, Brazil, Chile, Colombia, Costa Rica, Dominican Republic, Ecuador, El Salvador, Guatemala, Haiti, Honduras, Mexico, Nicaragua, Panama, Paraguay, Peru, Uruguay, Venezuela, Brazil, Europe, Middle East, Africa, Australia, New Zealand, Singapore, Malaysia, Thailand, Indonesia, Philippines, Vietnam, Brunei, Sri Lanka, Bangladesh, India, Korea, Hong Kong, Taiwan, (PRC) China, Japan	Parts and Labor - 3 years	5

Types of Warranty Service

If required, your Service Provider will provide repair or exchange service depending on the type of warranty service specified for your Machine in the above table and as described below. Scheduling of service will depend upon the time of your call and is subject to parts availability. Service levels are response time objectives and are not guaranteed. The specified level of warranty service may not be available in all worldwide locations, additional

charges may apply outside your Service Provider's normal service area, contact your local Service Provider representative or your reseller for country and location specific information.

1. Customer Replaceable Unit ("CRU") Service

Lenovo will ship CRUs to you for you to install, Tier 1 CRUs are easy to install whereas Tier 2 CRUs require some technical skill and tools. CRU information and replacement instructions are shipped with your Machine and are available from Lenovo at any time on your request. You may request that a Service Provider install CRUs, at no additional charge, under the type of warranty service designated for your Machine. Lenovo specifies in the materials shipped with a replacement CRU whether a defective CRU must be returned. When return is required, 1) return instructions and a container are shipped with the replacement CRU, and 2) you may be charged for the replacement CRU if Lenovo does not receive the defective CRU within 30 days of your receipt of the replacement.

2. On-site Service

Your Service Provider will either repair or exchange the failing Machine at your location and verify its operation. You must provide suitable working area to allow disassembly and reassembly of the Lenovo Machine. The area must be clean, well lit and suitable for the purpose. For some Machines, certain repairs may require sending the Machine to a designated service center.

3. Courier or Depot Service *

You will disconnect the failing Machine for collection arranged by your Service Provider. A shipping container will be provided to you for you to return your Machine to a designated service center. A courier will pick up your Machine and deliver it to the designated service center. Following its repair or exchange, the service center will arrange the return delivery of the Machine to your location. You are responsible for its installation and verification.

4. Customer Carry-In or Mail-In Service

You will deliver or mail as your Service Provider specifies (prepaid unless specified otherwise) the failing Machine suitably packaged to a designated location. After the Machine has been repaired or exchanged, it will be made available for your collection or, for Mail-in Service, the Machine will be returned to you at Lenovo's expense, unless your Service Provider specifies otherwise. You are responsible for the subsequent installation and verification of the Machine.

5. CRU and On-site Service

This type of Warranty Service is a combination of Type 1 and Type 2 (see above).

6. CRU and Courier or Depot Service

This type of Warranty Service is a combination of Type 1 and Type 3 (see above).

7. CRU and Customer Carry-In or Mail-In Service

This type of Warranty Service is a combination of Type 1 and Type 4 (see above).

When a 5, 6 or 7 type of warranty service is listed, your Service Provider will determine which type of warranty service is appropriate for the repair.

* This type of service is called ThinkPad® EasyServ or EasyServ in some countries.

To obtain warranty service contact a Service Provider. In Canada or the United States, call 1-800-426-7378. In other countries, see the telephone numbers below.

Worldwide telephone list

Phone numbers are subject to change without notice. For the most current phone numbers, go to <http://www.lenovo.com/support/phone>.

Country or Region	Telephone Number
Africa	Africa: +44 (0)1475-555-055 South Africa: +27-11-3028888 and 0800110756 Central Africa: Contact the nearest Lenovo Business Partner
Argentina	0800-666-0011 (Spanish)
Australia	131-426 (English)
Austria	Up and running support: 01-24592-5901 Warranty service and support: 01-211-454-610 (German)
Belgium	Up and running support: 02-210-9820 (Dutch) Up and running support: 02-210-9800 (French) Warranty service and support: 02-225-3611 (Dutch, French)
Bolivia	0800-10-0189 (Spanish)
Brazil	Sao Paulo region: (11) 3889-8986 Outside Sao Paulo region: 0800-701-4815 (Brazilian Portuguese)
Canada	Toronto: 416-383-3344 Outside Toronto: 1-800-565-3344 (English, French)
Chile	800-361-213 or 188-800-442-488 Toll Free (Spanish)
China	86-10-58851110 800-990-8888 (Mandarin)

Country or Region	Telephone Number
China (Hong Kong S.A.R.)	ThinkCentre® Commerical PC: 8205-0333 Multimedia Home PC: 800-938-228 (Cantonese, English, Mandarin)
China (Macau S.A.R.)	ThinkCentre (Technical enquiry hotline): 0800-336 (Cantonese, English, Mandarin)
Colombia	1-800-912-3021 (Spanish)
Costa Rica	0-800-011-1029 (Spanish)
Croatia	0800-0426
Cyprus	+357-22-841100
Czech Republic	+420-2-7213-1316
Denmark	Up and running support: 4520-8200 Warranty service and support: 7010-5150 (Danish)
Dominican Republic	1-866-434-2080 (Spanish)
Ecuador	1-800-426911 (Spanish)
El Salvador	800-6264 (Spanish)
Estonia	+372 6776793 +372 66 00 800
Finland	Up and running support: 09-459-6960 Warranty service and support: +358-800-1-4260 (Finnish)
France	Up and running support: 0238-557-450 Warranty service and support (hardware): 0810-631-213 Warranty service and support (software): 0810-631-020 (French)
Germany	Up and running support: 07032-15-49201 Warranty service and support: 01805-25-35-58 (German)
Greece	+30-210-680-1700
Guatemala	1800-624-0051 (Spanish)
Honduras	Tegucigalpa: 232-4222 San Pedro Sula: 552-2234 (Spanish)
Hungary	+36-1-382-5720
India	1800-425-6666 +91-80-2678-8970 (English)
Indonesia	800-140-3555 (English) 62-21-251-2955 (Bahasa, Indonesian)

Country or Region	Telephone Number
Ireland	Up and running support: 01-815-9202 Warranty service and support: 01-881-1444 (English)
Israel	Givat Shmuel Service Center: +972-3-531-3900 (Hebrew, English)
Italy	Up and running support: 02-7031-6101 Warranty service and support: +39-800-820094 (Italian)
Japan	Toll Free: 0120-20-5550 International: +81-46-266-4716 The above numbers will be answered with a Japanese language voice prompt. For telephone support in English, please wait for the Japanese voice prompt to end, and an operator will answer. Please say "English support please," and your call will be transferred to an English speaking operator. Computer software: 0120-558-695 Overseas calls: +81-44-200-8666 (Japanese)
Korea	1588-5801 (Korean)
Latvia	+386-61-1796-699
Lithuania	+386-61-1796-699
Luxembourg	+352-298-977-5063 (French)
Malaysia	1800-88-8558 (English, Bahasa, Melayu)
Malta	+356-23-4175
Mexico	001-866-434-2080 (Spanish)
Middle East	+44 (0)1475-555-055
Netherlands	+31-20-514-5770 (Dutch)
New Zealand	0800-733-222 (English)
Nicaragua	001-800-220-1830 (Spanish)
Norway	Up and running support: 6681-1100 Warranty service and support: 8152-1550 (Norwegian)
Panama	001-866-434-2080 (Toll Free) 206-6047 (Spanish)
Peru	0-800-50-866 (Spanish)
Philippines	1800-1888-1426 (English) 63-2-995-8420 (Filipino)

Country or Region	Telephone Number
Poland	+48-22-878-6999
Portugal	+351-21-892-7147 (Portuguese)
Romania	+4-021-224-4015
Russia	+7-495-258-6300 +8-800-200-6300 (Russian)
Singapore	1800-3172-888 (English, Bahasa, Melayu)
Slovakia	+421-2-4954-1217
Slovenia	+386-1-4796-699
Spain	91-714-7983 0901-100-000 (Spanish)
Sri Lanka	+9411 2493547 +9411 2493548 (English)
Sweden	Up and running support: 08-477-4420 Warranty service and support: 077-117-1040 (Swedish)
Switzerland	Up and running support: 058-333-0900 Warranty service and support: 0800-55-54-54 (German, French, Italian)
Taiwan	886-2-8723-9799 0800-000-700 (Mandarin)
Thailand	1-800-299-229 (Thai)
Turkey	00800-4463-2041 (Turkish)
United Kingdom	Up and running support: 01475-555-055 Warranty support: 08705-500-900 (English)
United States	1-800-426-7378 (English)
Uruguay	000-411-005-6649 (Spanish)
Venezuela	0-800-100-2011 (Spanish)
Vietnam	For northern area and Hanoi: 84-4-843-6675 For southern area and Ho Chi Minh City: 84-8-829-5160 (English, Vietnamese)

Guarantee supplement for Mexico

This supplement is considered part of Lenovo's Statement of Limited Warranty and shall be effective solely and exclusively for products distributed and commercialized within Mexico. In the event of a conflict, the terms of this supplement shall apply.

All software programs pre-loaded in the equipment shall only have a thirty-(30) day guarantee for installation defects from the date of purchase. Lenovo is not responsible for the information in such software programs and/or any additional software programs installed by you or installed after purchase of the product.

Services not chargeable to the guarantee shall be charged to the final user, prior an authorization.

In the event that warranty repair is required please call the Customer Support Center at 001-866-434-2080, where you will be directed to the nearest Authorized Service Center. Should no Authorized Service Center exist in your city, location or within 70 kilometers of your city or location, the guarantee includes any reasonable delivery charges related to the transportation of the product to our nearest Authorized Service Center. Please call the nearest Authorized Service Center to obtain the necessary approvals or information concerning the shipment of the product and the shipment address.

To obtain a list of Authorized Service Centers, please visit <http://www.lenovo.com/mx/es/servicios>

Manufactured by:
SCI Systems de México, S.A. de C.V.
Av. De la Solidaridad Iberoamericana No. 7020
Col. Club de Golf Atlas
El Salto, Jalisco, México
C.P. 45680,
Tel. 01-800-3676900

Marketing by:
Lenovo de México, Comercialización y
Servicios, S. A. de C. V.
Alfonso Nápoles Gándara No 3111
Parque Corporativo de Peña Blanca
Delegación Álvaro Obregón
México, D.F., México
C.P. 01210,
Tel. 01-800-00-325-00

Chapter 4. Customer Replacement Units (CRUs)

Customer Replacement Units (CRUs) are computer parts that can be upgraded or replaced by the customer. There are two types of CRUs: Tier 1 and Tier 2. Tier 1 CRUs are easy to install, whereas Tier 2 CRUs require some technical skill and tools.

The *User Guide* and *Hardware Replacement Guide* provide instructions for replacing Tier 1 and Tier 2 CRUs. Refer to the following table to determine which publication contains the instructions you need.

To view a publication, open the Start menu from the Windows desktop, select **All Programs**, select **Online Books**, and click **Online Books**. Double-click on the appropriate publication for your machine type. For more information about accessing the *User Guide* and *Hardware Replacement Guide*, refer to "Online Books folder" on page 25. The publications also are available on the Lenovo Web site at <http://www.lenovo.com>.

Note: Only use computer parts provided by Lenovo. Refer to Chapter 3, "Lenovo Statement of Limited Warranty," on page 29 for warranty information about the CRUs for your machine type.

6490, 8700, 8701, 8705, 8717, 8973, 8975, 8979, 8983, 8985, 8991, 8995, 9265, 9269, 9277, 9279, 9283, 9287, 9379, 9383, 9387, 9389, 9631, 9635, 9637, 9646, 9648, 9694		
	User Guide	Hardware Replacement Guide
Tier 1 CRUs		
Optical drive	x	x
Hard disk drive	x	x
Memory	x	x
Mouse	x	x
Keyboard	x	x
Adapter card	x	x
Tier 2 CRUs		
Diskette drive	x	x
Heat sink		x
Power supply		x
System fan		x

6491, 8013, 8702, 8706, 8716, 8970, 8972, 8976, 8980, 8982, 8986, 8992, 8994, 9266, 9276, 9278, 9282, 9286, 9288, 9374, 9378, 9380, 9384, 9628, 9632, 9647, 9649, 9695

	User Guide	Hardware Replacement Guide
Tier 1 CRUs		
Mouse	x	x
Keyboard	x	x
Adapter card	x	x
Tier 2 CRUs		
Optical drive	x	x
Hard disk drive	x	x
Diskette drive	x	x
Memory	x	x
Heat sink		x
System fan		x

Machine types: 9636, 9638, 9640, 9641, 9642, 9643, 9644, 9645

	User Guide	Hardware Replacement Guide
Tier 1 CRUs		
Keyboard	x	x
Mouse	x	x
Hard disk drive	x	x
Memory	x	x
Adapter card	x	x
Speaker	x	x
Optical drive	x	x
Diskette drive	x	x
Tier 2 CRUs		
Heat sink		x
System board		x
Power supply		x
System fans		x

Chapter 5. Notices

Lenovo may not offer the products, services, or features discussed in this document in all countries. Consult your local Lenovo representative for information on the products and services currently available in your area. Any reference to a Lenovo product, program, or service is not intended to state or imply that only that Lenovo product, program, or service may be used. Any functionally equivalent product, program, or service that does not infringe any Lenovo intellectual property right may be used instead. However, it is the user's responsibility to evaluate and verify the operation of any other product, program, or service.

Lenovo may have patents or pending patent applications covering subject matter described in this document. The furnishing of this document does not give you any license to these patents. You can send license inquiries, in writing, to:

*Lenovo (United States), Inc.
1009 Think Place - Building One
Morrisville, NC 27560
U.S.A.
Attention: Lenovo Director of Licensing*

LENOVO PROVIDES THIS PUBLICATION "AS IS" WITHOUT WARRANTY OF ANY KIND, EITHER EXPRESS OR IMPLIED, INCLUDING, BUT NOT LIMITED TO, THE IMPLIED WARRANTIES OF NON-INFRINGEMENT, MERCHANTABILITY OR FITNESS FOR A PARTICULAR PURPOSE. Some jurisdictions do not allow disclaimer of express or implied warranties in certain transactions, therefore, this statement may not apply to you.

This information could include technical inaccuracies or typographical errors. Changes are periodically made to the information herein; these changes will be incorporated in new editions of the publication. Lenovo may make improvements and/or changes in the product(s) and/or the program(s) described in this publication at any time without notice.

The products described in this document are not intended for use in implantation or other life support applications where malfunction may result in injury or death to persons. The information contained in this document does not affect or change Lenovo product specifications or warranties. Nothing in this document shall operate as an express or implied license or indemnity under the intellectual property rights of Lenovo or third parties. All information contained in this document was obtained in specific environments and is presented as an illustration. The result obtained in other operating environments may vary.

Lenovo may use or distribute any of the information you supply in any way it believes appropriate without incurring any obligation to you.

Any references in this publication to non-Lenovo Web sites are provided for convenience only and do not in any manner serve as an endorsement of those Web sites. The materials at those Web sites are not part of the materials for this Lenovo product, and use of those Web sites is at your own risk.

Any performance data contained herein was determined in a controlled environment. Therefore, the result obtained in other operating environments may vary significantly. Some measurements may have been made on development-level systems and there is no guarantee that these measurements will be the same on generally available systems. Furthermore, some measurements may have been estimated through extrapolation. Actual results may vary. Users of this document should verify the applicable data for their specific environment.

Television output notice

The following notice applies to models that have the factory-installed television-output feature.

This product incorporates copyright protection technology that is protected by method claims of certain U.S. patents and other intellectual property rights owned by Macrovision Corporation and other rights owners. Use of this copyright protection technology must be authorized by Macrovision Corporation, and is intended for home and other limited viewing uses only unless otherwise authorized by Macrovision Corporation. Reverse engineering or disassembly is prohibited.

Trademarks

The following terms are trademarks of Lenovo in the United States, other countries, or both:

- Lenovo
- Rescue and Recovery
- ThinkCentre
- ThinkPad
- ThinkVantage

IBM is a trademark of International Business Machines Corporation in the United States, other countries, or both.

Other company, product, or service names may be trademarks or service marks of others.

Electronic emissions notices

The following information refers to Lenovo personal computer machine types: 6490, 6491, 8013, 8700, 8701, 8702, 8705, 8706, 8716, 8717, 8970, 8972, 8973, 8975, 8976, 8979, 8980, 8982, 8983, 8985, 8986, 8991, 8992, 8994, 8995, 9265, 9266, 9269, 9276, 9277, 9278, 9279, 9282, 9283, 9286, 9287, 9288, 9374, 9378, 9379, 9380, 9383, 9384, 9387, 9389, 9628, 9631, 9632, 9635, 9636, 9637, 9638, 9640, 9641, 9642, 9643, 9644, 9645, 9646, 9647, 9648, 9649, 9694, 9695.

Federal Communications Commission (FCC) Declaration of Conformity

This equipment has been tested and found to comply with the limits for a Class B digital device, pursuant to Part 15 of the FCC Rules. These limits are designed to provide reasonable protection against harmful interference in a residential installation. This equipment generates, uses, and can radiate radio frequency energy and, if not installed and used in accordance with the instructions, may cause harmful interference to radio communications. However, there is no guarantee the interference will not occur in a particular installation. If this equipment does cause harmful interference to radio or television reception, which can be determined by turning the equipment off and on, the user is encouraged to try to correct the interference by one or more of the following measures:

- Reorient or relocate the receiving antenna.
- Increase the separation between the equipment and receiver.
- Connect the equipment into an outlet on a circuit different from that to which the receiver is connected.
- Consult an authorized dealer or service representative for help.

Lenovo is not responsible for any radio or television interference caused by using other than recommended cables or connectors or by unauthorized changes or modifications to this equipment. Unauthorized changes or modifications could void the user's authority to operate the equipment.

This device complies with Part 15 of the FCC Rules. Operation is subject to the following two conditions: (1) this device may not cause harmful interference, and (2) this device must accept any interference received, including interference that may cause undesired operation.

Responsible party:

Lenovo (United States) Inc.
One Manhattanville Road
Purchase, New York 10577
Telephone: (919) 254-5900



Tested To Comply
With FCC Standards

FOR HOME OR OFFICE USE

Industry Canada Class B emission compliance statement

This Class B digital apparatus complies with Canadian ICES-003.

European Union EMC Directive conformance statement

This product is in conformity with the protection requirements of EU Council Directive 89/336/EEC on the approximation of the laws of the Member States relating to electromagnetic compatibility. Lenovo cannot accept responsibility for any failure to satisfy the protection requirements resulting from a nonrecommended modification of the product, including the fitting of option cards from other manufacturers.

This product has been tested and found to comply with the limits for Class B Information Technology Equipment according to CISPR 22/European Standard EN 55022. The limits for Class B equipment were derived for typical residential environments to provide reasonable protection against interference with licensed communication devices.

Korean Class B statement

이 기기는 가정용으로 전자파 적합등록을 한 기기로서
주거지역에서는 물론 모든 지역에서 사용할 수 있습니다.

Japanese VCCI Class B statement

この装置は、情報処理装置等電波障害自主規制協議会（VCCI）の基準に基づきクラスB情報技術装置です。この装置は、家庭環境で使用することを目的としていますが、この装置がラジオやテレビジョン受信機に近接して使用されると、受信障害を引き起こすことがあります。
取扱説明書に従って正しい取り扱いをして下さい。

Japanese compliance for products less than or equal to 20A per phase

高調波電流規格 JIS C 61000-3-2 適合品

Lenovo product service information for Taiwan

台灣 Lenovo 產品服務資訊如下：
荷蘭商思惟電腦產品股份有限公司台灣分公司
台北市信義區信義路五段七號十九樓之一
服務電話：0800-000-700

Federal Communications Commission (FCC) and telephone company requirements

1. This device complies with Part 68 of the FCC rules. A label is affixed to the device that contains, among other things, the FCC registration number, USOC, and Ringer Equivalency Number (REN) for this equipment. If these numbers are requested, provide this information to your telephone company.

Note: If the device is an internal modem, a second FCC registration label is also provided. You may attach the label to the exterior of the computer in which you install the Lenovo modem, or you may attach the label to the external DAA, if you have one. Place the label in a location that is easily accessible, should you need to provide the label information to the telephone company.

2. The REN is useful to determine the quantity of devices you may connect to your telephone line and still have those devices ring when your number is called. In most, but not all areas, the sum of the RENs of all devices should not exceed five (5). To be certain of the number of devices you may connect to your line, as determined by the REN, you should call your local telephone company to determine the maximum REN for your calling area.
3. If the device causes harm to the telephone network, the telephone company may discontinue your service temporarily. If possible, they will notify you in advance; if advance notice is not practical, you will be notified as soon as possible. You will be advised of your right to file a complaint with the FCC.
4. Your telephone company may make changes in its facilities, equipment, operations, or procedures that could affect the proper operation of your equipment. If they do, you will be given advance notice to give you an opportunity to maintain uninterrupted service.

5. If you experience trouble with this product, contact your authorized reseller or call the Customer Support Center. In the United States, call **1-800-426-7378**. In Canada, call **1-800-565-3344**. You may be required to present proof of purchase.

The telephone company may ask you to disconnect the device from the network until the problem has been corrected, or until you are sure the device is not malfunctioning.

6. No customer repairs are possible to the device. If you experience trouble with the device, contact your Authorized Reseller or see the Diagnostics section of this manual for information.
7. This device may not be used on coin service provided by the telephone company. Connection to party lines is subject to state tariffs. Contact your state public utility commission or corporation commission for information.
8. When ordering network interface (NI) service from the local Exchange Carrier, specify service arrangement USOC RJ11C.

Canadian Department of Communications certification label

NOTICE: The Industry Canada label identifies certified equipment. This certification means that the equipment meets telecommunications network protective, operational and safety requirements as prescribed in the appropriate Terminal Equipment Technical Requirements documents. The Department does not guarantee the equipment will operate to the user's satisfaction.

Before installing this equipment, users should ensure that it is permissible to be connected to the facilities of the local telecommunications company. The equipment must also be installed using an acceptable method of connection. The customer should be aware that compliance with the above conditions may not prevent degradation of service in some situations. Repairs to certified equipment should be coordinated by a representative designated by the supplier. Any repairs or alterations made by the user to this equipment, or equipment malfunctions, may give the telecommunications company cause to request the user to disconnect the equipment.

Users should ensure for their own protection that the electrical ground connections of the power utility, telephone lines, and internal metallic water pipe system, if present, are connected together. This precaution may be particularly important in rural areas.

Caution: Users should not attempt to make such connections themselves, but should contact the appropriate electric inspection authority, or electrician, as appropriate.

NOTICE: The Ringer Equivalence Number (REN) assigned to each terminal device provides an indication of the maximum number of terminals allowed to

be connected to a telephone interface. The termination on an interface may consist of any combination of devices subject only to the requirement that the sum of the Ringer Equivalence Numbers of all the devices does not exceed 5.

Power cord notice

For your safety, Lenovo provides a power cord with a grounded attachment plug to use with this product. To avoid electrical shock, always use the power cord and plug with a properly grounded outlet.

Power cords provided by Lenovo in the United States and Canada are listed by Underwriter's Laboratories (UL) and certified by the Canadian Standards Association (CSA).

For units intended to be operated at 115 volts: Use a UL-listed and CSA-certified cord set consisting of a minimum 18 AWG, Type SVT or SJT, three-conductor cord, a maximum of 15 feet in length and a parallel blade, grounding-type attachment plug rated 15 amperes, 125 volts.

For units intended to be operated at 230 volts (U.S. use): Use a UL-listed and CSA-certified cord set consisting of a minimum 18 AWG, Type SVT or SJT, three-conductor cord, a maximum of 15 feet in length and a tandem blade, grounding-type attachment plug rated 15 amperes, 250 volts.

For units intended to be operated at 230 volts (outside the U.S.): Use a cord set with a grounding-type attachment plug. The cord set should have the appropriate safety approvals for the country in which the equipment will be installed.

Power cords provided by Lenovo for a specific country or region are usually available only in that country or region.

For units intended to be operated in Germany: The power cords shall be safety approved. For Germany, it shall be H05VV-F, 3G, 0.75 mm², or better. For other countries, the suitable types shall be used accordingly.

Power cord part number	Used in these countries and regions
24R2633	Japan
39M5067	Argentina, Paraguay, Uruguay

Power cord part number	Used in these countries and regions
39M5080	Antigua and Barbuda, Aruba, Bahamas, Barbados, Belize, Bermuda, Bolivia, Turks and Caicos Islands, Canada, Cayman Islands, Costa Rica, Columbia, Cuba, Dominican Republic, Ecuador, El Salvador, Guam, Guatemala, Haiti, Honduras, Jamaica, Mexico, Micronesia (Federal States of), Netherlands Antilles, Nicaragua, Panama, Peru, Philippines, Saudi Arabia, Thailand, Taiwan, United States, Venezuela
39M5102	Australia, New Zealand
39M5122	Afghanistan, Albania, Algeria, Andorra, Angola, Armenia, Austria, Azerbaijan, Belarus, Belgium, Benin, Bosnia and Herzegovina, Bulgaria, Burkina Faso, Burundi, Cambodia, Cameroon, Cape Verde, Central African Republic, Chad, Comoros, Congo (Democratic Republic of), Congo (Republic of), Cote D'Ivoire (Ivory Coast), Croatia (Republic of), Czech Republic, Dahomey, Djibouti, Egypt, Equatorial Guinea, Eritrea, Estonia, Ethiopia, Finland, France, French Guyana, French Polynesia, Gabon, Georgia, Germany, Greece, Guadeloupe, Guinea, Guinea Bissau, Hungary, Iceland, Indonesia, Iran, Kazakhstan, Kyrgyzstan, Laos (Peoples Democratic Republic of), Latvia, Lebanon, Lithuania, Luxembourg, Macedonia (former Yugoslav Republic of), Madagascar, Mali, Martinique, Mauritania, Mauritius, Mayotte, Moldova (Republic of), Monaco, Mongolia, Morocco, Mozambique, Netherlands, New Caledonia, Niger, Norway, Poland, Portugal, Reunion, Romania, Russian Federation, Rwanda, Sao Tome and Principe, Saudi Arabia, Senegal, Serbia, Slovakia, Slovenia (Republic of), Somalia, Spain, Suriname, Sweden, Syrian Arab Republic, Tajikistan, Tahiti, Togo, Tunisia, Turkey, Turkmenistan, Ukraine, Upper Volta, Uzbekistan, Vanuatu, Vietnam, Wallis and Futuna, Yugoslavia (Federal Republic of), Zaire
39M5129	Denmark
39M5143	Bangladesh, Lesotho, Macao S.A.R of China, Maldives, Namibia, Nepal, Pakistan, Samoa, South Africa, Sri Lanka, Swaziland, Uganda
39M5150	Abu Dhabi, Australia, Bahrain, Botswana, Brunei Darussalam, Channel Islands, Cyprus, Dominica, Fiji, Gambia, Ghana, Grenada, Guyana, Hong Kong S.A.R. of China, Iraq, Ireland, Jordan, Kenya, Kiribati, Kuwait, Liberia, Malawi, Malaysia, Malta, Myanmar (Burma), Nauru, New Zealand, Nigeria, Oman, Papua New Guinea, Qatar, Saint Kitts and Nevis, Saint Lucia, Saint Vincent and the Grenadines, Seychelles, Sierra Leone, Singapore, Sudan, Tanzania (United Republic of), Trinidad & Tobago, United Arab Emirates (Dubai), United Kingdom, Yemen, Zambia, Zimbabwe
39M5151	Hong Kong S.A.R. of China, Korea
39M5157	Liechtenstein, Switzerland
39M5164	Chile, Italy, Libya Arab Jamahiriya

Power cord part number	Used in these countries and regions
39M5171	Israel
39M5205	China
39M5212	Korea
39M5232	Brazil
39M5246	Taiwan
41R3175	India

Polyvinyl Chloride (PVC) cable and cord notice

WARNING: Handling the cord on this product or cords associated with accessories sold with this product will expose you to lead, a chemical known to the State of California to cause cancer, and birth defects or other reproductive harm. *Wash hands after handling.*

Waste electrical and electronic equipment (WEEE) notices

Lenovo encourages owners of information technology (IT) equipment to responsibly recycle their equipment when it is no longer needed. Lenovo offers a variety of programs and services to assist equipment owners in recycling their IT products. Information on product recycling offerings can be found on Lenovo's Internet site at <http://www.pc.ibm.com/ww/lenovo/about/environment/>.

European Union (EU) WEEE statement

The WEEE mark applies only to countries within the European Union (EU) and Norway. Appliances are labeled in accordance with European Directive 2002/96/EC concerning waste electrical and electronic equipment (WEEE). The Directive determines the framework for the return and recycling of used appliances as applicable throughout the European Union. This label is applied to various products to indicate that the product is not to be thrown away, but rather reclaimed upon end of life per this Directive.

Users of electrical and electronic equipment (EEE) with the WEEE marking per Annex IV of the WEEE Directive must not dispose of end of life EEE as unsorted municipal waste, but use the collection framework available to them for the return, recycle, recovery of WEEE and minimize any potential effects of EEE on the environment and human health due to the presence of hazardous substances. For additional WEEE information go to: <http://www.lenovo.com/lenovo/environment>.

Japanese recycling statement

Collecting and recycling a disused Lenovo computer or monitor

If you are a company employee and need to dispose of a Lenovo computer or monitor that is the property of the company, you must do so in accordance with the Law for Promotion of Effective Utilization of Resources. Computers and monitors are categorized as industrial waste and should be properly disposed of by an industrial waste disposal contractor certified by a local government. In accordance with the Law for Promotion of Effective Utilization of Resources, Lenovo Japan provides, through its PC Collecting and Recycling Services, for the collecting, reuse, and recycling of disused computers and monitors. For details, visit the Lenovo Web site at www.ibm.com/jp/pc/service/recycle/pcrecycle/

Pursuant to the Law for Promotion of Effective Utilization of Resources, the collecting and recycling of home-used computers and monitors by the manufacturer was begun on October 1, 2003. This service is provided free of charge for home-used computers sold after October 1, 2003. For details, visit the Lenovo Web site at www.ibm.com/jp/pc/service/recycle/personal/.

Disposing of a Lenovo computer component

Some Lenovo computer products sold in Japan may have components that contain heavy metals or other environmental sensitive substances. To properly dispose of disused components, such as a printed circuit board or drive, use the methods described above for collecting and recycling a disused computer or monitor.

Disposing of disused lithium batteries from Lenovo computers

A button-shaped lithium battery is installed on the system board of your Lenovo computer to provide power to the computer clock while the computer is off or disconnected from the main power source. If you want to replace it with a new one, contact your place of purchase or ask for a repair service provided by Lenovo. If you have replaced it by yourself and want to dispose of the disused lithium battery, insulate it with vinyl tape, contact your place of purchase, and follow their instructions. If you use a Lenovo computer at home and need to dispose of a lithium battery, you must comply with local ordinances and regulations.

Avis aux lecteurs canadiens

Le présent document a été traduit en France. Voici les principales différences et particularités dont vous devez tenir compte.

Illustrations

Les illustrations sont fournies à titre d'exemple. Certaines peuvent contenir des données propres à la France.

Terminologie

La terminologie des titres peut différer d'un pays à l'autre. Reportez-vous au tableau ci-dessous, au besoin.

France	Canada
ingénieur commercial	représentant
agence commerciale	succursale
ingénieur technico-commercial	informaticien
inspecteur	technicien du matériel

Claviers

Les lettres sont disposées différemment : le clavier français est de type AZERTY, et le clavier français-canadien, de type QWERTY.








Paramètres canadiens

Au Canada, on utilise :

- les pages de codes 850 (multilingue) et 863 (français-canadien),
- le code pays 002,
- le code clavier CF.

Nomenclature

Les touches présentées dans le tableau d'équivalence suivant sont libellées différemment selon qu'il s'agit du clavier de la France, du clavier du Canada ou du clavier des États-Unis. Reportez-vous à ce tableau pour faire correspondre les touches françaises figurant dans le présent document aux touches de votre clavier.

France	Canada	Etats-Unis
 (Pos1)		Home
Fin	Fin	End
 (PgAr)		PgUp
 (PgAv)		PgDn
Inser	Inser	Ins
Suppr	Suppr	Del
Echap	Echap	Esc
Attn	Intrp	Break
Impr écran	ImpEc	PrtSc
Verr num	Num	Num Lock
Arrêt défil	Défil	Scroll Lock
 (Verr maj)	FixMaj	Caps Lock
AltGr	AltCar	Alt (à droite)

Recommandations à l'utilisateur

Ce matériel utilise et peut émettre de l'énergie radiofréquence. Il risque de parasiter les communications radio et télévision s'il n'est pas installé et utilisé conformément aux instructions du constructeur (instructions d'utilisation, manuels de référence et manuels d'entretien).

Si cet équipement provoque des interférences dans les communications radio ou télévision, mettez-le hors tension puis sous tension pour vous en assurer. Il est possible de corriger cet état de fait par une ou plusieurs des mesures suivantes :

- Réorienter l'antenne réceptrice ;
- Déplacer l'équipement par rapport au récepteur ;
- Éloigner l'équipement du récepteur ;

- Brancher l'équipement sur une prise différente de celle du récepteur pour que ces unités fonctionnent sur des circuits distincts ;
- S'assurer que les vis de fixation des cartes et des connecteurs ainsi que les fils de masse sont bien serrés ;
- Vérifier la mise en place des obturateurs sur les connecteurs libres.

Si vous utilisez des périphériques non Lenovo avec cet équipement, nous vous recommandons d'utiliser des câbles blindés mis à la terre, à travers des filtres si nécessaire.

En cas de besoin, adressez-vous à votre détaillant.

Le fabricant n'est pas responsable des interférences radio ou télévision qui pourraient se produire si des modifications non autorisées ont été effectuées sur l'équipement.

L'obligation de corriger de telles interférences incombe à l'utilisateur.

Au besoin, l'utilisateur devrait consulter le détaillant ou un technicien qualifié pour obtenir de plus amples renseignements.

Brevets

Lenovo peut détenir des brevets ou des demandes de brevet couvrant les produits mentionnés dans le présent document. La remise de ce document ne vous donne aucun droit de licence sur ces brevets ou demandes de brevet. Si vous désirez recevoir des informations concernant l'acquisition de licences, veuillez en faire la demande par écrit à l'adresse suivante :

*Lenovo (United States), Inc.
500 Park Offices Drive, Hwy. 54
Research Triangle Park, NC 27709
Etats-Unis
Attention: Lenovo Director of Licensing*

Assistance téléphonique

Pour toute question ou pour obtenir de l'assistance, veuillez composer le 1 866 428-4465.

Chapitre 1. Consignes de sécurité

Important

Veuillez lire en premier les consignes de sécurité.

Ces informations peuvent vous aider à utiliser votre ordinateur personnel de bureau ou portable en toute sécurité. Suivez et conservez toutes les instructions fournies avec votre ordinateur. Les informations de ce document ne modifient pas les dispositions de votre contrat de vente ou de la Déclaration de Garantie Lenovo. Pour plus d'informations, voir Chapitre 3, «Déclaration de Garantie Lenovo», à la page 105.

La sécurité des clients est au coeur des préoccupations de Lenovo. Nos produits sont développés dans une optique de sécurité et d'efficacité. Cependant, les ordinateurs personnels sont des appareils électroniques. Les cordons d'alimentation, les adaptateurs d'alimentation et d'autres dispositifs présentent un danger potentiel pour la sécurité et peuvent provoquer des blessures ou des dommages matériels, surtout s'ils sont mal utilisés. Pour réduire ces risques, suivez les instructions accompagnant votre produit, respectez tous les avertissements figurant sur le produit ainsi que dans les instructions d'utilisation et lisez soigneusement les informations de ce document. Ce faisant, vous vous prémunirez contre les risques et vous renforcerez la sécurité de l'environnement de travail informatique.

Remarque : Ces informations comprennent des références aux adaptateurs d'alimentation et aux piles et batteries. Outre les ordinateurs personnels portables, certains produits (tels que des haut-parleurs et des écrans) sont dotés d'adaptateurs d'alimentation externes. Si vous possédez un tel produit, ces informations sont applicables. En outre, les produits informatiques contiennent une pile interne de la taille d'une pièce de monnaie qui fournit une alimentation à l'horloge système même lorsque l'ordinateur est débranché. Les consignes de sécurité concernant les piles s'appliquent donc à tous les produits informatiques.

Conditions qui nécessitent une action immédiate

Des produits peuvent être endommagés à la suite d'une mauvaise utilisation ou d'une négligence. Ces dommages peuvent être trop sérieux pour que le produit puisse être utilisé tant qu'il n'aura pas été examiné et réparé, le cas échéant, par un technicien agréé.

Comme avec tout appareil électronique, examinez attentivement le produit lors de sa mise sous tension. Dans quelques rares cas, vous pourriez remarquer une odeur, de la fumée ou des étincelles en provenance de votre

produit. Il se peut également que vous entendiez des claquements, des craquements ou des sifflements. Cela peut signifier simplement qu'un composant électronique interne est tombé en panne en mode contrôlé sans conséquence pour votre sécurité. Mais cela peut aussi indiquer un danger potentiel. Ne prenez pas de risques et ne tentez pas de diagnostiquer vous-même l'incident. Pour obtenir de l'assistance, contactez le service clients. Pour obtenir la liste des numéros de téléphone du support technique en ligne, voir «Liste de numéros de téléphone pour le monde entier», à la page 145.

Inspectez régulièrement votre ordinateur et ses composants pour détecter tout dommage, signe d'usure ou source de danger. Si vous avez des doutes sur l'état d'un composant, n'utilisez pas le produit. Prenez contact avec le centre de support ou avec le fabricant du produit pour savoir comment diagnostiquer l'incident et, si nécessaire, faites réparer le produit.

Dans l'éventualité peu probable où vous constateriez l'une des manifestations décrites ci-après, ou en cas d'incidents remettant en cause la sécurité d'utilisation, cessez d'utiliser le produit et débranchez-le de sa source d'alimentation et des lignes téléphoniques jusqu'à ce que vous ayez pu obtenir des instructions du centre de support.

- Cordons d'alimentation, prises, adaptateurs d'alimentation, rallonges, dispositifs de protection contre les surtensions ou boîtiers d'alimentation fendus, cassés ou endommagés.
- Signes de surchauffe, fumée, étincelles.
- Pile ou batterie endommagée (par exemple, fentes, bosses ou plis), décharge en provenance d'une pile ou d'une batterie ou accumulation de substances étrangères sur une pile.
- Craquement, sifflement, bruit sec ou odeur forte émanant du produit.
- Signes que du liquide a été renversé ou qu'un objet est tombé sur l'ordinateur, le cordon d'alimentation ou l'adaptateur d'alimentation.
- Exposition de l'ordinateur, du cordon d'alimentation ou de l'adaptateur d'alimentation à l'eau.
- Chute du produit ou tout autre dommage.
- Le produit ne fonctionne pas correctement lorsque vous suivez les instructions d'utilisation.

Remarque : Si vous constatez l'une de ces manifestations au niveau d'un produit non Lenovo (par exemple, un prolongateur), cessez de l'utiliser tant que vous n'avez pas obtenu d'instructions auprès du fabricant ou que vous n'avez pas obtenu de pièce de rechange.

Consignes générales de sécurité

Respectez toujours les précautions ci-après pour réduire les risques de blessure ou de dommages matériels.

Maintenance et mises à niveau

Ne tentez pas de réparer un produit vous-même, à moins d'y avoir été invité par le centre de support ou la documentation. Faites uniquement appel à un fournisseur de services ayant reçu l'agrément pour réparer ce produit en particulier.

Remarque : Certains composants de l'ordinateur peuvent être mis à niveau ou remplacés par le client. Les mises à niveau sont généralement appelées des options. Les composants de rechange dont l'installation par le client est approuvée sont appelés des unités remplaçables par l'utilisateur, ou CRU. Lenovo fournit une documentation qui contient des instructions indiquant dans quels cas le client peut installer des options ou remplacer des CRU. Vous devez suivre scrupuleusement toutes les instructions lorsque vous installez ou remplacez des composants. L'extinction d'un voyant d'alimentation ne signifie pas nécessairement que les niveaux de tension à l'intérieur d'un produit sont nuls. Avant d'effectuer la dépose des carters d'un produit équipé d'un cordon d'alimentation secteur, vérifiez toujours que l'alimentation est coupée et que le produit est débranché de toute source d'alimentation. Pour plus d'informations sur les unités remplaçables par l'utilisateur, voir le guide d'utilisation de ce produit. Si vous avez des questions ou des doutes, adressez-vous au centre de support.

Bien qu'il n'y ait plus de pièce en mouvement dans votre ordinateur une fois le cordon d'alimentation débranché, les avertissements suivants sont requis pour votre sécurité.

Danger



Pièces en mouvement dangereuses. Évitez tout contact avec les doigts et toute autre partie du corps.

Attention



Avant de remplacer une unité remplaçable par l'utilisateur, mettez l'ordinateur hors tension et patientez 3 à 5 minutes pour permettre le refroidissement avant d'ouvrir le carter.

Protection antistatique

Si l'électricité statique est inoffensive pour votre santé, elle risque en revanche de causer des dommages importants aux composants et options de votre ordinateur. Une manipulation incorrecte de composants sensibles à l'électricité statique risque de causer de les endommager. Lorsque vous déballez une option ou une CRU, n'ouvrez pas l'emballage antistatique qui contient le composant avant que les instructions ne vous demandent de l'installer.

Lorsque vous manipulez des options ou des CRU, ou que vous réalisez des interventions à l'intérieur de l'ordinateur, prenez les précautions suivantes afin d'éviter les dommages liés à l'électricité statique :

- Limitez vos mouvements, car ceux-ci provoquent une accumulation d'électricité statique.
- Manipulez toujours les composants avec précaution. Manipulez les adaptateurs, modules mémoire et autres cartes à circuits imprimés en les tenant par les bords. Ne touchez jamais directement des circuits.
- Empêchez toute autre personne de toucher les composants.
- Lorsque vous installez une option ou une CRU sensible à l'électricité statique, mettez l'emballage antistatique du composant en contact avec le carter d'un logement d'extension en métal ou toute autre surface métallique non peinte de l'ordinateur pendant au moins deux secondes. Cela permet de dissiper l'électricité statique présente dans l'emballage et votre corps.
- Lorsque cela est possible, retirez le composant de son emballage antistatique au dernier moment et installez-le sans le poser. Sinon, posez-le sur son emballage antistatique, sur une surface plane et lisse.
- Ne mettez pas le composant en contact avec le carter de l'ordinateur ou toute autre surface métallique.

Cordons et adaptateurs d'alimentation

Utilisez uniquement les cordons et les adaptateurs d'alimentation fournis par le fabricant du produit.

Les cordons d'alimentation doivent être conformes aux normes de sécurité. En Allemagne, ils doivent être de type H05VV-F, 3G, 0,75 mm² ou de section supérieure. Dans les autres pays, utilisez les types de câble appropriés.

N'enroulez jamais un cordon d'alimentation autour de l'adaptateur d'alimentation ou de tout autre objet. Une telle contrainte risque d'effiloche, de fissurer ou de plisser le cordon. Cela peut représenter un danger pour la sécurité.

Placez toujours les cordons d'alimentation de manière à éviter qu'on les piétine, qu'on trébuche ou qu'ils soient pincés par des objets.

Évitez d'exposer le cordon et les adaptateurs d'alimentation à des liquides. Ainsi, ne laissez pas le cordon ou l'adaptateur d'alimentation à proximité d'éviers, de bassines, de toilettes ou sur des sols nettoyés avec des détergents liquides. Les liquides risquent de provoquer des court-circuits, surtout si le cordon ou l'adaptateur d'alimentation a été soumis à des contraintes résultant d'une mauvaise utilisation. Les liquides peuvent également entraîner une corrosion progressive des terminaisons du cordon d'alimentation ou des connecteurs susceptible de provoquer une surchauffe.

Connectez toujours les cordons d'alimentation et les câbles d'interface dans le bon ordre et assurez-vous que tous leurs connecteurs sont bien enfoncés et fixés dans les prises.

N'utilisez pas d'adaptateur d'alimentation présentant des signes de corrosion sur les broches d'entrée secteur ou des signes de surchauffe (déformation du plastique, par exemple) sur l'entrée secteur ou à tout autre endroit du cordon d'alimentation.

N'utilisez pas de cordons d'alimentation sur lesquels les contacts électriques à l'une ou l'autre des extrémités présentent des signes de corrosion ou de surchauffe, ou qui semblent être endommagés.

Commutateur de sélection de tension

Certains ordinateurs sont équipés d'un commutateur de sélection de tension qui est situé à côté du point de connexion du cordon d'alimentation de l'ordinateur. Si votre ordinateur dispose d'un commutateur de sélection de tension, assurez-vous qu'il est configuré pour correspondre au voltage

disponible à la sortie de la prise de courant. Une mauvaise configuration du sélecteur de tension peut occasionner des dommages irréversibles sur votre ordinateur.

Si votre ordinateur ne dispose pas d'un commutateur de sélection de tension, il est conçu pour fonctionner uniquement selon le voltage fourni dans le pays ou la région où il a été acheté.

Si vous déplacez votre ordinateur dans un autre pays, sachez ceci :

- Si votre ordinateur ne dispose pas d'un commutateur de sélection de tension, ne le branchez pas à une prise de courant tant que vous n'avez pas vérifié que le voltage est le même que celui fourni dans le pays ou la région où l'ordinateur a été acheté.
- Si votre ordinateur dispose d'un commutateur de sélection de tension, ne le branchez pas à une prise de courant tant que vous n'avez pas vérifié que le commutateur est configuré pour correspondre au voltage fourni dans ce pays ou cette région.

Si vous n'êtes pas sûr du voltage à la sortie de vos prises de courant, contactez votre compagnie d'électricité ou reportez-vous aux sites web officiels ou à d'autres documentations pour les voyageurs.

Prolongateurs et dispositifs associés

Assurez-vous que les prolongateurs, les dispositifs de protection contre les surtensions, les blocs d'alimentation de secours et les multiprises que vous utilisez ont des caractéristiques de tension correspondant aux besoins électriques du produit. Ne surchargez jamais ces dispositifs. Si vous utilisez des multiprises, la charge ne doit pas dépasser la tension d'entrée. Adressez-vous à un électricien pour plus de détails ou si vous avez des questions concernant les charges de courant, les besoins en alimentation et les tensions d'entrée.

Fiches et prises

Si une prise de courant destinée au matériel de votre ordinateur semble être endommagée ou corrodée, ne l'utilisez pas et attendez qu'elle soit remplacée par un électricien qualifié.

Ne tordez pas ou ne modifiez pas une fiche électrique. Si une fiche est endommagée, prenez contact avec le fabricant pour la remplacer.

Ne partagez pas une prise électrique avec d'autres appareils domestiques ou professionnels consommant une grande quantité d'électricité, car une tension instable risquerait d'endommager votre ordinateur, vos données ou les périphériques connectés.

Certains produits sont équipés d'une fiche à trois broches. Cette fiche s'adapte uniquement à une prise de courant mise à la terre. Il s'agit d'un dispositif de sécurité. Ne le désactivez pas en tentant d'insérer la fiche dans une prise non reliée à la terre. Si vous ne pouvez pas enfoncer la fiche dans la prise, demandez à un électricien de vous fournir un adaptateur de prise approuvé ou de remplacer la prise par une autre prise prenant en charge ce dispositif de sécurité. Ne surchargez jamais une prise de courant. La charge totale du système ne doit pas dépasser 80 pour cent de la tension du circuit de dérivation. Adressez-vous à un électricien pour plus de détails ou si vous avez des questions concernant les charges de courant et les tensions des circuits de dérivation.

Assurez-vous que la prise de courant utilisée est correctement câblée, facilement accessible et placée à proximité du matériel. Ne tendez pas complètement les cordons d'alimentation pour éviter toute contrainte.

Assurez-vous que la prise électrique délivre une tension et un courant adaptés au produit que vous installez.

Branchez et débranchez avec précaution le matériel de la prise de courant.

Périphériques externes

Ne branchez ou ne débranchez pas de câbles de périphérique externe autres que des câbles USB et 1394 quand l'ordinateur est sous tension, car vous risqueriez de l'endommager. Afin d'éviter d'endommager les périphériques connectés, patientez au moins cinq secondes après la mise hors tension de l'ordinateur pour déconnecter les périphériques externes.

Piles et batteries

Tous les PC Lenovo contiennent une pile format bouton non rechargeable destinée à alimenter l'horloge système. En outre, de nombreux produits mobiles, tels que les ordinateurs portables, utilisent un bloc de piles rechargeables qui fournissent du courant au système en mode portable. La compatibilité des piles fournies par Lenovo en vue d'être utilisées avec votre produit a été testée. Ces piles doivent être uniquement remplacées par des composants agréés.

Ne tentez jamais d'ouvrir ou de réparer une pile ou une batterie. Ne broyez pas, ne percez pas et n'incinerez pas les piles ou les batteries et ne provoquez pas de court-circuit sur les contacts en métal. N'exposez pas la pile ou la batterie à l'eau ou à tout autre liquide. Rechargez uniquement le bloc de piles en vous conformant strictement aux instructions fournies dans la documentation du produit.

Un mauvais traitement ou une mauvaise utilisation risque d'entraîner une surchauffe de la pile pouvant se traduire par une émission de gaz ou de

flammes de la part du bloc de piles ou de la pile cellulaire. Si votre pile ou batterie est endommagée ou que vous remarquez des décharges en provenance de celle-ci ou l'accumulation de substances étrangères sur ses composants en plomb, arrêtez de l'utiliser et procurez-vous une pile ou une batterie de rechange auprès du fabricant.

Les piles ou les batteries peuvent se dégrader lorsqu'elles restent inutilisées pendant un long moment. Dans le cas de certaines piles et batteries rechargeables (en particulier celles au lithium-ion), le fait de laisser une pile ou une batterie déchargée peut augmenter les risques de court-circuits susceptibles de diminuer leur durée de vie et de présenter un danger pour la sécurité. Ne laissez pas des piles ou batteries au lithium-ion rechargeables se décharger complètement et ne les rangez pas déchargées.

Chaleur et ventilation des produits

Les ordinateurs, les boîtiers d'alimentation et de nombreux accessoires dégagent de la chaleur lorsqu'ils sont sous tension et que les piles sont en charge. Respectez toujours ces précautions de base :

- Ne laissez pas l'ordinateur, le boîtier d'alimentation ou les accessoires en contact prolongé avec vos genoux ou avec une partie quelconque de votre corps lorsque ces produits sont en fonctionnement ou que la batterie est en cours de chargement. L'ordinateur, le bloc d'alimentation et de nombreux accessoires dégagent de la chaleur lorsqu'ils fonctionnent. Un contact prolongé avec votre peau peut provoquer des lésions, voire des brûlures.
- Ne mettez pas la pile en charge et ne mettez pas sous tension l'ordinateur, le bloc d'alimentation ou les accessoires à proximité de matériaux inflammables ou dans un environnement présentant des risques d'explosion.
- Votre produit est équipé d'ouvertures de ventilation, de ventilateurs et de dissipateurs thermiques à des fins de sécurité, de confort et de fiabilité de fonctionnement. Vous risquez de bloquer ces dispositifs par inadvertance si vous placez le produit sur un lit, un canapé, un tapis ou toute autre surface souple. Vous ne devez jamais bloquer, couvrir ou désactiver ces dispositifs.

Vous devez inspecter votre ordinateur au moins une fois par trimestre pour vérifier que de la poussière ne s'est pas accumulée. Avant de procéder à cette opération, mettez l'ordinateur hors tension et débranchez-le. Vous pouvez ensuite retirer la poussière qui se trouve dans les ventilateurs ou les trous du panneau frontal. Si vous remarquez que de la poussière s'est accumulée à l'extérieur, vous devez également examiner et retirer la poussière se trouvant à l'intérieur de l'ordinateur, notamment dans les ventilateurs (du dissipateur thermique, du bloc d'alimentation et de l'ordinateur). Avant de retirer le carter, mettez toujours l'ordinateur hors tension et débranchez-le. Il est recommandé d'éviter d'utiliser l'ordinateur à moins de 50 centimètres d'un lieu de passage important. Si vous ne pouvez pas faire autrement, inspectez et nettoyez l'ordinateur plus souvent.

Respectez toujours les précautions suivantes pour assurer votre sécurité et des performances optimales de votre ordinateur :

- Lorsque l'ordinateur est branché, ne retirez jamais le carter.
- Vérifiez régulièrement l'extérieur de l'ordinateur pour rechercher les éventuelles accumulations de poussière.
- Retirez la poussière qui se trouve dans les ventilateurs ou les trous du panneau frontal. Si vous travaillez dans un environnement poussiéreux ou près d'un lieu de passage important, nettoyez plus souvent votre ordinateur.
- Ne réduisez pas et ne bloquez pas les ouvertures de ventilation.
- Afin d'éviter tout risque de surchauffe, n'installez et n'utilisez pas l'ordinateur dans un meuble.
- La température de l'air circulant dans l'ordinateur ne doit pas dépasser 35° C (95° F).
- N'utilisez pas de dispositifs de filtration de l'air non destinés à un ordinateur.

Environnement d'exploitation

L'environnement optimal dans lequel utiliser votre ordinateur est une température comprise entre 10°C et 35°C et un taux d'humidité compris entre 35 % et 80 %. Si votre ordinateur a été stocké ou transporté à des températures inférieures à 10°C, laissez-le reprendre progressivement la température optimale de 10°C à 35°C avant de l'utiliser. Cela peut durer deux heures dans des conditions extrêmes. Si vous ne laissez pas votre ordinateur reprendre une température de fonctionnement optimale avant de l'utiliser, vous risquez de provoquer des dommages irréparables.

Si possible, placez votre ordinateur dans un endroit correctement ventilé et sec et évitez de l'exposer directement au soleil.

Tenez les appareils électriques tels que les ventilateurs, radios, haut-parleurs, climatiseurs et fours micro-ondes à l'écart de votre ordinateur, car les puissants champs magnétiques qu'ils génèrent risqueraient d'endommager l'écran et les données stockées sur l'unité de disque dur.

Ne posez pas de boissons sur ou à côté de l'ordinateur ou d'autres périphériques connectés. Le renversement de liquides sur ou dans l'ordinateur ou un périphérique connecté risquerait de provoquer un court-circuit ou d'autres dommages.

Ne mangez pas ou ne fumez pas au-dessus de votre clavier. Les chutes de particules dans votre clavier risqueraient de provoquer des dommages.

Informations relatives à la sécurité du courant électrique

Danger

Le courant électrique provenant de l'alimentation, du téléphone et des câbles de transmission peut présenter un danger.

Pour éviter tout risque de choc électrique :

- Afin d'éviter les risques de surtension, évitez d'utiliser votre ordinateur pendant un orage.
- Ne manipulez aucun câble et n'effectuez aucune opération d'installation, d'entretien ou de reconfiguration de ce produit au cours d'un orage.
- Branchez tous les cordons d'alimentation sur un socle de prise de courant correctement câblé et mis à la terre.
- Branchez sur des socles de prise de courant correctement câblés tout équipement connecté à ce produit.
- Lorsque cela est possible, n'utilisez qu'une seule main pour connecter ou déconnecter les câbles d'interface.
- Ne mettez jamais un équipement sous tension en cas d'incendie ou d'inondation, ou en présence de dommages matériels.
- Avant de retirer les carters de l'unité, mettez celle-ci hors tension et déconnectez ses cordons d'alimentation, ainsi que les câbles qui la relient aux réseaux, aux systèmes de télécommunication et aux modems (sauf instruction contraire mentionnée dans les procédures d'installation et de configuration).
- Lorsque vous installez, que vous déplacez, ou que vous manipulez le présent produit ou des périphériques qui lui sont raccordés, reportez-vous aux instructions ci-dessous pour connecter et déconnecter les différents cordons.

Connexion :

1. Mettez les unités hors tension.
2. Commencez par brancher tous les cordons sur les unités.
3. Branchez les câbles d'interface sur des connecteurs.
4. Branchez les cordons d'alimentation sur des prises.
5. Mettez les unités sous tension.

Déconnexion :

1. Mettez les unités hors tension.
2. Débranchez les cordons d'alimentation des prises.
3. Débranchez les câbles d'interface des connecteurs.
4. Débranchez tous les câbles des unités.

Pile au lithium

Attention

Danger d'explosion en cas de remplacement incorrect de la pile.

Remplacer la pile cellulaire au lithium usagée par une pile de référence identique exclusivement ou suivre les instructions du fabricant qui en définit les équivalences. La pile contient du lithium et peut exploser en cas de mauvaise utilisation, de mauvaise manipulation ou de mise au rebut inappropriée.

Ne pas :

- la jeter à l'eau,
- l'exposer à une température supérieure à 100° C,
- chercher à la réparer ou à la démonter.

Ne pas mettre la pile à la poubelle. Pour la mise au rebut, se reporter à la réglementation en vigueur.

Les déclarations qui suivent s'appliquent aux utilisateurs de l'état de Californie, aux États-Unis.

Produits à base de perchlorate : des consignes de manipulation spéciales peuvent s'appliquer. Voir www.dtsc.ca.gov/hazardouswaste/perchlorate.

Informations relatives au modem

Attention

Pour réduire le risque d'incendie, utiliser seulement la référence 26 AWG ou un câble avec des caractéristiques supérieures.

Lors de l'utilisation de votre matériel téléphonique, il est important de respecter les consignes ci-après afin de réduire les risques d'incendie, d'électrocution et d'autres blessures :

- N'installez jamais de cordons téléphoniques durant un orage.
- Les prises téléphoniques ne doivent pas être installées dans des endroits humides, excepté si le modèle a été conçu à cet effet.
- Ne touchez jamais un cordon téléphonique ou un terminal non isolé avant que la ligne ait été déconnectée du réseau téléphonique.

- Soyez toujours prudent lorsque vous procédez à l'installation ou à la modification de lignes téléphoniques.
- Si vous devez téléphoner pendant un orage, pour éviter tout risque de choc électrique, utilisez toujours un téléphone sans fil.
- En cas de fuite de gaz, n'utilisez jamais un téléphone situé à proximité de la fuite.

Conformité aux normes relatives aux appareils à laser

Certains modèles d'ordinateurs personnels sont équipés en usine d'une unité de CD ou de DVD. Ces unités sont également vendues séparément en tant qu'options. L'unité de CD/DVD est un appareil à laser. Aux Etats-Unis, l'unité de CD-ROM/DVD-ROM est certifiée conforme aux normes indiquées dans le sous-chapitre J du DHHS 21 CFR relatif aux produits à laser de classe 1. Dans les autres pays, elles sont certifiées être des produits à laser de classe 1 conformes aux normes IEC 60825-1 et CENELEC EN 60 825-1.

Lorsqu'une unité de CD ou de DVD est installée, tenez compte des remarques suivantes.

Attention

Pour éviter tout risque d'exposition au rayon laser, respectez les consignes de réglage et d'utilisation des commandes, ainsi que les procédures décrites dans le présent manuel.

Ne retirez pas le carter de l'unité. En ouvrant l'unité de CD ou de DVD, vous vous exposez au rayonnement dangereux du laser. Aucune pièce de l'unité n'est réparable.

Certaines unités de CD ou de DVD peuvent contenir une diode à laser de classe 3A ou 3B. Prenez connaissance des informations suivantes.

Danger

Rayonnement laser lorsque le carter est ouvert. Evitez toute exposition directe au rayon laser. Evitez de regarder fixement le faisceau ou de l'observer à l'aide d'instruments optiques.

Instruction concernant le bloc d'alimentation

Ne retirez jamais le carter d'un bloc d'alimentation ni toute autre partie portant l'étiquette ci-dessous.



Les composants portant cette étiquette présentent un danger électrique. Aucune pièce de ces composants n'est réparable. Si vous pensez qu'ils peuvent être à l'origine d'un incident, contactez un technicien de maintenance.

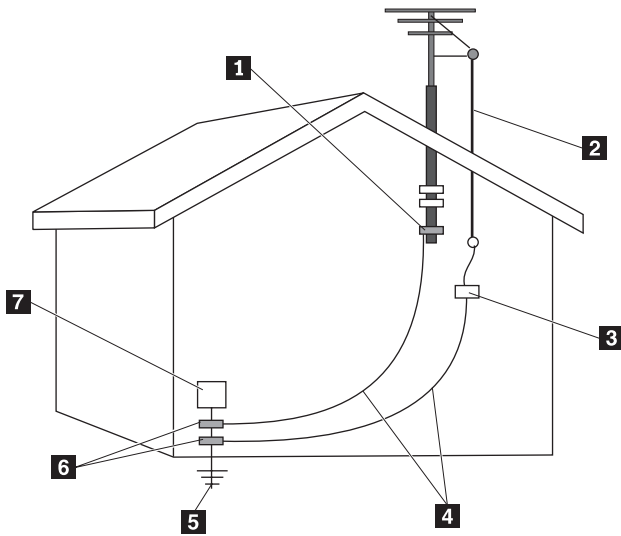
Produits disposant de syntoniseurs TV

Les consignes ci-dessous concernent les produits, installés en Amérique du Nord, intégrant des syntoniseurs TV connectés à des antennes externes et/ou à des réseaux câblés/CATV. Les utilisateurs et les installateurs des autres pays doivent suivre les recommandations et réglementations en vigueur lors de l'installation d'appareils qui se connectent à des antennes externes et à des réseaux câblés/CATV. Si les réglementations en vigueur ne sont pas applicables, les utilisateurs/installateurs doivent suivre des procédures similaires à celles qui suivent.

Remarque à l'intention des installateurs de systèmes CATV

Les installateurs de systèmes CATV doivent consulter l'Article 820-40 des directives NEC (National Electrical Code) qui fournit des instructions pour une bonne mise à la terre et précise notamment que le câble de mise à la terre doit être connecté au système de mise à la terre du bâtiment, aussi près que possible du point d'entrée du câble.

Exemple de mise à la terre d'une antenne



- | | | | |
|----------|-------------------------------------------------------------------------|----------|------------------------------------------------------------------------------------------------------------|
| 1 | Bride de mise à la terre | 5 | Système conducteur de terre pour la distribution d'alimentation (Article 250, Partie H des directives NEC) |
| 2 | Câble de descente d'antenne | 6 | Brides de mise à la terre |
| 3 | Unité de décharge d'antenne (Section 810-20 des directives NEC) | 7 | Équipement électronique |
| 4 | Fils électriques de mise à la terre (Section 810-21 des directives NEC) | | |

Figure 1. Schéma de mise à la terre correcte du câble

Les informations qui suivent s'appliquent à tous les pays et régions :

Danger



Mise à la terre d'une antenne extérieure

Si une antenne extérieure ou un réseau câblé est connecté à l'équipement, vérifiez que l'antenne ou le réseau câblé est mis à la terre de manière à assurer une protection contre les surtensions et les accumulations de charges électrostatiques.

Foudre Pour renforcer la protection de l'équipement en cas d'orage ou lorsque l'équipement est laissé sans surveillance et n'est pas utilisé pendant de longues périodes, débranchez-le de sa prise murale et débranchez l'antenne ou le réseau câblé. Ceci protégera l'appareil vidéo de tout risque de dommages liés à la foudre et à des surtensions sur la ligne d'alimentation.

Lignes d'alimentation

Vous ne devez pas installer un système d'antenne extérieure à proximité de lignes électriques aériennes ou à un endroit d'où le système risque de tomber sur de telles lignes ou circuits. Lorsque vous installez une antenne extérieure, faites très attention à ne pas toucher ce type de lignes électriques ou de circuits, car tout contact pourrait vous être fatal.

Sécurité des données

Ne supprimez pas des fichiers inconnus ou ne changez pas le nom des fichiers ou répertoires que vous n'avez pas créé, car votre ordinateur ou vos logiciels risqueraient de ne plus fonctionner.

Sachez que l'accès aux ressources réseau peut exposer votre ordinateur à des virus informatiques, des pirates, des logiciels espions et d'autres activités malveillantes risquant d'endommager votre système, vos logiciels ou vos données. Il vous incombe de prendre les mesures de protection adéquates en déployant des pare-feu, des logiciels antivirus et des logiciels de protection contre les logiciels espions, et de tenir ces logiciels à jour.

Entretien et maintenance

Nettoyez régulièrement votre ordinateur et votre espace de travail. Éteignez votre ordinateur, puis débranchez le cordon d'alimentation avant de le nettoyer. Ne vaporisez pas de détergent directement sur l'ordinateur et n'utilisez pas de détergent contenant des produits inflammables pour le nettoyer. Vaporisez le détergent sur un chiffon doux et essuyez les surfaces de l'ordinateur.

Utilisation de casques et d'écouteurs

Si votre ordinateur est équipé à la fois d'un connecteur pour casque et d'un connecteur de sortie audio, utilisez toujours le connecteur pour casque pour les casques (également appelés micro-casques) ou les écouteurs.

L'utilisation prolongée d'un casque ou d'écouteurs à un volume élevé peut se révéler nocif si le casque ou les écouteurs ne sont pas conformes aux spécifications de la norme NF EN 50332-2. Le connecteur de sortie casque de votre ordinateur est conforme au sous-alinéa 5.1 de la norme NF EN 50332-2. Cette spécification limite la tension de sortie de l'ordinateur à 150 mV. Pour éviter les pertes auditives, vérifiez que les casques ou écouteurs que vous utilisez sont également conformes aux spécifications de la norme NF EN 50332-2 (sous-alinéa 6.1) pour une tension de sortie de 75 mV. Toute utilisation de casques non conformes aux spécifications de la norme NF EN 50332-2 peut se révéler dangereuse en raison des niveaux excessifs de pression acoustique.

Si votre ordinateur Lenovo est livré avec un casque ou des écouteurs, l'association de ces dispositifs à l'ordinateur respecte les spécifications de la norme NF EN 50332-1. Si vous utilisez d'autres casques ou écouteurs, assurez-vous qu'ils sont conformes aux spécifications de la norme NF EN 50332-2 (alinéa 6.1) pour une tension de sortie de 75 mV. Toute utilisation de casques non conformes aux spécifications de la norme NF EN 50332-2 peut se révéler dangereuse en raison des niveaux excessifs de pression acoustique.

Autres consignes de sécurité

Les sacs en plastique peuvent être dangereux. Tenez-les à l'écart des bébés et des enfants afin d'éviter tout risque de suffocation.

Chapitre 2. Sources d'informations

Après avoir configuré votre ordinateur à l'aide du livret d'installation fourni, vous pouvez utiliser les informations de ce chapitre pour accéder aux ressources utiles liées à vos besoins informatiques.

Dossier Documentation électronique

Le dossier Documentation électronique contient des documents qui vous guident lors de la configuration et de l'utilisation de votre ordinateur. Ce dossier est préinstallé sur votre ordinateur et aucun accès Internet n'est requis pour l'affichage des publications. Les documents suivants sont disponibles dans le dossier Documentation électronique :

- *Guide d'utilisation*

Cette publication contient des informations sur la configuration de l'ordinateur, l'installation des options, la restauration des logiciels, l'emploi de l'utilitaire de configuration, la mise à jour des programmes système et la résolution des incidents.

- *Guide de remplacement d'options matérielles*

Ce document fournit des instructions détaillées pour le remplacement des unités remplaçables par le client (CRU) dans votre ordinateur. Les CRU sont des composants qui peuvent être mis à niveau ou remplacés par le client.

Pour afficher une publication, ouvrez le menu Démarrer à partir du bureau Windows, puis sélectionnez **Tous les programmes, Online Books** et cliquez sur **Online Books**. Cliquez deux fois sur la publication appropriée pour votre ordinateur. Les publications sont également disponibles sur le site Web Lenovo, <http://www.lenovo.com>.

Remarques :

1. Ces publications sont au format PDF (Portable Document Format). Adobe Acrobat Reader doit être installé. Si Adobe Acrobat Reader n'a pas encore été installé sur votre ordinateur, un message s'affiche lorsque vous tentez d'afficher le fichier PDF. Suivez les instructions pour effectuer l'installation d'Adobe Acrobat Reader.
2. Les publications préinstallées sur votre ordinateur sont disponibles dans d'autres langues sur le site Web de support Lenovo, <http://www.lenovo.com/support/>.
3. Si vous souhaitez installer une version d'Adobe Acrobat Reader dans une langue autre que celle de la version fournie sur votre ordinateur, accédez au site Web Adobe à l'adresse <http://www.adobe.com> et téléchargez la version que vous souhaitez utiliser.

ThinkVantage Productivity Center

Le programme ThinkVantage Productivity Center vous guide dans le processus d'hébergement des sources d'informations et des outils conçus pour simplifier et rendre plus sécurisé le système informatique tout en vous aidant à réduire les coûts et à augmenter la productivité. Le programme ThinkVantage Productivity Center vous aide à configurer, comprendre et améliorer votre ordinateur.

Ce programme fournit des informations sur votre ordinateur et permet d'accéder rapidement à diverses technologies, telles que :

- Programme Rescue and Recovery
- Productivity Center
- Client Security Solution
- Factory Recovery
- System Update
- Service and support

Remarque : Les technologies ThinkVantage sont disponibles uniquement sur des ordinateurs Lenovo.

Pour accéder au programme ThinkVantage Productivity Center, ouvrez le menu Démarrer à partir du bureau Windows, sélectionnez **Tous les programmes** puis **ThinkVantage** et cliquez sur **Productivity Center**.

Access Help

Le système Access Help fournit des informations sur le démarrage, les tâches de base, la personnalisation des paramètres pour vos préférences personnelles, la protection des données, le développement et la mise à niveau ainsi que sur la résolution des incidents.

Pour lancer Access Help, ouvrez le menu Démarrer à partir du bureau Windows, sélectionnez **Tous les programmes, ThinkVantage**, puis cliquez sur **Access Help**. Une fois que vous avez ouvert Access Help, utilisez le panneau de gauche pour effectuer votre choix à partir des onglets Table des matières ou Index ou utilisez l'onglet Recherche pour rechercher un mot ou une phrase spécifique.

www.lenovo.com

Le site Web Lenovo (www.lenovo.com) fournit des informations et des services pour l'achat, la mise à niveau et la gestion de votre ordinateur. Vous pouvez accéder aux dernières informations concernant votre ordinateur sur le site Web Lenovo. A partir du site Web www.lenovo.com Web, vous pouvez également :

- acheter des ordinateurs de bureau et des ordinateurs portables, des écrans, des projecteurs, des mises à niveau et des accessoires pour votre ordinateur ainsi que des offres spéciales.
- acheter des services supplémentaires, tels que le support pour le matériel, les systèmes d'exploitation, les programmes d'application, la configuration réseau et les installations personnalisées.
- acheter des mises à niveau et des services de réparation matérielle étendus.
- télécharger les derniers pilotes de périphérique et mises à jours logicielles pour votre modèle d'ordinateur.
- accéder aux manuels en ligne concernant vos produits.
- accéder au texte de la Déclaration de Garantie Lenovo.
- accéder aux informations de résolution des incidents et de support pour le modèle de votre ordinateur et pour d'autres produits pris en charge.
- rechercher le numéro de téléphone pour les supports et les services de votre pays ou région.
- rechercher un fournisseur de services près de chez vous.

Tableau d'informations

Il peut être utile de noter les informations relatives à votre ordinateur, dans l'éventualité d'une opération de maintenance. Le technicien du support vous demandera probablement ces renseignements.

Le type, le modèle et le numéro de série de la machine sont indiqués sur l'ordinateur. Le formulaire ci-dessous vous permet de noter ces informations :

Nom du produit	_____
Type et modèle de machine	_____
Numéro de série	_____
Date d'acquisition	_____

Enregistrez votre ordinateur sur le site Web suivant :

<http://www.lenovo.com/register>

Vous pourrez alors bénéficier des avantages suivants :

- Un service plus rapide lorsque vous téléphonerez pour obtenir de l'aide
- L'envoi automatique de logiciels gratuits et d'offres promotionnelles

Pour plus d'informations sur l'enregistrement de votre ordinateur, consultez le système d'aide en ligne Access Help. Pour plus d'instructions sur la procédure d'ouverture du système d'aide en ligne, voir «Access Help», à la page 102.

Chapitre 3. Déclaration de Garantie Lenovo

LSOLW-00 05/2005

Chapitre 1 - Dispositions générales

La présente Déclaration de Garantie comporte trois chapitres, Dispositions générales, Dispositions nationales particulières et Informations relatives à la Garantie. Les dispositions du Chapitre 2 peuvent remplacer ou modifier celles du Chapitre 1. La garantie fournie par Lenovo au titre de la présente Déclaration de Garantie s'applique uniquement aux machines achetées en vue d'un usage personnel et non à des fins de revente. Le terme "Machine" désigne une machine Lenovo, ses dispositifs, conversions, mises à niveau, éléments, accessoires, ou combinaisons de ceux-ci. Le terme "Machine" ne désigne pas les logiciels, qu'ils soient pré-chargés sur la Machine, installés ultérieurement ou d'une quelconque autre manière. La présente Déclaration de Garantie ne porte atteinte à aucune des dispositions d'ordre public relatives aux droits des consommateurs.

Etendue de cette garantie

Lenovo garantit que chaque Machine 1) est exempte de défaut matériel ou de fabrication et 2) est conforme aux spécifications publiées officiellement par Lenovo ("Spécifications") qui sont disponibles sur demande. La période de garantie relative à la Machine commence à la date d'installation initiale et est indiquée dans le Chapitre 3 - Informations relatives à la Garantie. Sauf indication contraire de la part de Lenovo ou de votre revendeur, la date qui figure sur votre facture est la date d'installation. Sauf indication contraire de la part de Lenovo, ces garanties ne s'appliquent que dans le pays ou la région d'achat de la Machine.

CES GARANTIES SONT LES SEULES GARANTIES AUXQUELLES VOUS POUVEZ PRETENDRE. ELLES REMPLACENT TOUTES AUTRES GARANTIES OU CONDITIONS, EXPLICITES OU IMPLICITES, Y COMPRIS, ET DE FAÇON NON LIMITATIVE, TOUTE GARANTIE OU CONDITION IMPLICITE D'APTITUDE A L'EXECUTION D'UN TRAVAIL DONNE. CERTAINS ETATS OU LEGISLATIONS N'AUTORISENT PAS L'EXCLUSION DES GARANTIES EXPLICITES OU IMPLICITES, AUQUEL CAS, L'EXCLUSION CI-DESSUS NE VOUS SERA PAS APPLICABLE. LA DUREE DE CES GARANTIES SERA ALORS LIMITEE A LA PERIODE DE GARANTIE. PASSEE CETTE PERIODE, AUCUNE GARANTIE NE S'APPLIQUERA. CERTAINS ETATS OU LEGISLATIONS N'AUTORISENT PAS LES LIMITATIONS DE DUREE DES GARANTIES IMPLICITES, AUQUEL CAS, L'EXCLUSION OU LA LIMITATION CI-DESSUS NE VOUS SERA PAS APPLICABLE.

Limitation de la garantie

Cette garantie ne couvre pas :

- les logiciels, qu'ils soient pré-chargés sur la Machine, livrés avec celle-ci ou installés ultérieurement ;
- une défaillance découlant d'une utilisation incorrecte, d'un accident, d'une modification, d'une exploitation dans un environnement physique ou opérationnel inadapté ou d'une maintenance inappropriée par vous-même ;
- une défaillance causée par un produit pour lequel Lenovo n'est pas responsable ; et
- tout produit non-Lenovo, y compris les produits que Lenovo peut se procurer et fournir avec ou intégrer à une Machine Lenovo à votre demande.

Tout retrait, toute altération des étiquettes servant à l'identification de la Machine ou des pièces entraîne l'annulation des garanties.

Lenovo ne garantit pas le fonctionnement ininterrompu ou sans erreur de la Machine.

Tout support technique ou tout support d'une autre nature fourni sur une Machine sous garantie, tel que l'assistance, y compris l'aide à l'"utilisation", à la configuration et à l'installation, est fourni **SANS GARANTIE D'AUCUNE SORTIE**.

Procédure d'obtention du service prévu par la Garantie

Le service prévu par la garantie peut être fourni par Lenovo, par IBM, par votre revendeur si celui-ci est habilité à effectuer le service, ou par un fournisseur de services de garantie agréé. Chacun de ces intervenants est appelé un "Fournisseur de Services".

Si la Machine ne fonctionne pas, tel que le prévoit la garantie, pendant la période de garantie, prenez contact avec un Fournisseur de Services. Si vous n'enregistrez pas la Machine auprès de Lenovo, vous pouvez être amené à présenter une preuve d'achat justifiant de votre droit au service prévu par la Garantie.

Résolution d'incidents par Lenovo

Lors d'une demande d'assistance, vous devez suivre les procédures de détermination et de résolution d'incident spécifiées. Un diagnostic initial de votre incident peut être effectué soit par un technicien au téléphone, soit par voie électronique en accédant à un site Web de support.

Le type de service de garantie applicable à votre Machine est indiqué dans le Chapitre 3 - Informations relatives à la Garantie.

Vous êtes responsable du téléchargement et de l'installation des mises à jour de logiciel désignées, depuis un site Internet de support ou à partir d'un autre

support électronique, selon les instructions fournies par votre Fournisseur de services. Les mises à jour de logiciel peuvent inclure le BIOS, les logiciels utilitaires, les pilotes de périphérique et les mises à jour d'autres logiciels.

Si votre incident peut être résolu à l'aide d'une unité remplaçable par l'utilisateur ("CRU") (par exemple, clavier, souris, haut-parleur, mémoire, unité de disque dur), votre Fournisseur de Services vous livrera cette unité pour que vous effectuiez son installation.

Si la Machine ne fonctionne pas conformément aux garanties fournies pendant la période de garantie et que votre incident ne peut pas être résolu par téléphone ou par voie électronique, via l'application des mises à jour de logiciel ou à l'aide d'une CRU, votre Fournisseur de Services, à sa discrétion, 1) la réparera de sorte qu'elle fonctionne conformément à la Garantie ou 2) la remplacera par une autre dont les fonctions sont au moins équivalentes. Si votre Fournisseur de Services n'est pas en mesure d'effectuer une de ces opérations, vous pouvez restituer la Machine au lieu d'achat où elle vous sera remboursée.

Dans le cadre du service de Garantie, votre Fournisseur de Services peut également installer certaines modifications techniques qui s'appliquent à la Machine.

Remplacement d'une Machine ou d'une pièce

Lorsque le service de Garantie implique le remplacement d'une Machine ou d'une pièce, l'élément remplacé par votre Fournisseur de Services devient la propriété de Lenovo et l'élément de remplacement votre propriété. Vous déclarez que tous les éléments démontés sont authentiques et non modifiés. L'élément de remplacement peut ne pas être neuf, mais il sera en bon état de marche et ses fonctions seront au moins équivalentes à celles de l'élément remplacé. L'élément de remplacement bénéficiera du service de Garantie de l'élément remplacé.

Vos autres obligations

Avant que votre Fournisseur de Services ne remplace une Machine ou une pièce, vous vous engagez à retirer tous les dispositifs et toutes les pièces, options, modifications et adjonctions, qui ne sont pas couverts par la garantie.

Vous vous engagez également à :

1. vérifier que la Machine n'est soumise à aucune disposition et restriction légales qui en empêche le remplacement ;
2. obtenir du propriétaire une autorisation permettant à votre Fournisseur de Services d'intervenir sur une Machine dont vous n'êtes pas propriétaire ;
3. le cas échéant, avant l'intervention :
 - a. suivre les procédures de demande de service fournies par votre Fournisseur de Services ;

- b. sauvegarder ou sécuriser tous les logiciels, données et fonds contenus dans la Machine ; et
 - c. fournir à votre Fournisseur de Services un accès suffisant, libre et sûr à vos installations pour permettre à Lenovo de remplir ses obligations ;
4. (a) vous assurer que toutes les informations relatives aux personnes identifiées ou identifiables (Données personnelles) sont supprimées de la Machine (dans la mesure où cela est techniquement possible), (b) permettre à votre Fournisseur de Services ou à un fournisseur de traiter pour votre compte toutes les Données personnelles restantes, telles que votre Fournisseur de Services juge nécessaires pour remplir ses obligations dans le cadre de cette Déclaration de garantie (y compris, le cas échéant, l'expédition de la Machine en vue dudit traitement à d'autres sites de maintenance dans le monde) et (c) vous assurer que ce traitement est conforme à toutes les lois applicables à ces Données personnelles.

Limitation de responsabilité

Lenovo est responsable des dommages subis par votre Machine ou de la perte de celle-ci uniquement lorsqu'elle se trouve 1) en la possession de votre Fournisseur de Services, ou 2) en transit au cas où Lenovo prendrait en charge les frais de transport.

Ni Lenovo, ni votre Fournisseur de Services ne peut être tenu pour responsable des informations confidentielles, personnelles ou dont vous êtes propriétaire contenues dans une Machine que vous avez retournée à Lenovo pour quelque raison que ce soit. Vous devez supprimer les informations de ce type avant de retourner la Machine.

Des circonstances peuvent survenir où, en raison d'une défaillance du fait de Lenovo ou de toute autre responsabilité, vous avez droit à recouvrer des dommages de Lenovo. Quels que soient la nature, le fondement et les modalités de l'action engagée contre Lenovo (y compris rupture fondamentale, négligence, déclaration inexacte ou toute autre base contractuelle ou délictuelle), Lenovo ne sera responsable qu'à concurrence, sauf responsabilités qui ne peuvent être supprimées ou limitées par la loi :

1. des dommages corporels (incluant le décès) et dommages aux biens matériels mobiliers ou immobiliers ; et
2. pour tout autre dommage réel et direct, du prix facturé de la Machine à l'origine de la réclamation.

Cette limitation de responsabilité s'applique également aux fournisseurs et revendeurs de Lenovo et à votre Fournisseur de Services. C'est le maximum pour lequel Lenovo, ses fournisseurs, ses revendeurs et votre Fournisseur de Services sont collectivement responsables.

LENOVO, SES FOURNISSEURS, SES REVENDEURS ET LES FOURNISSEURS DE SERVICES NE PEUVENT EN AUCUN CAS ETRE TENUS RESPONSABLES DES DOMMAGES SUIVANTS, ET CE, MEME S'ILS ONT ETE INFORMES DE LEUR POSSIBLE SURVENANCE : 1) TOUTE RECLAMATION OU ACTION DIRIGEE CONTRE VOUS PAR UN TIERS AU TITRE DE PERTES OU DE DOMMAGES ENCOUREUS (AUTRES QUE CEUX MENTIONNES DANS LE PREMIER ARTICLE CI-DESSUS) ; 2) PERTE OU DETERIORATION DE DONNEES ; 3) DOMMAGES INDIRECTS OU SPECIAUX OU PREJUDICE ECONOMIQUE INDIRECT ; OU 4) PERTE DE BENEFICES, DE CHIFFRE D'AFFAIRES, DE CLIENTELE OU D'ECONOMIES ESCOMPTEES. CERTAINS ETATS OU LEGISLATIONS N'AUTORISENT PAS LA LIMITATION OU L'EXCLUSION DE PREJUDICES ACCESSOIRES OU INDIRECTS, AUQUEL CAS L'EXCLUSION OU LA LIMITATION QUI PRECEDE NE VOUS SERA PAS APPLICABLE.

Droit applicable

Les deux parties (vous et Lenovo) consentent à l'application des lois du pays dans lequel vous avez acquis la Machine, pour régir, interpréter et exécuter tous les droits, devoirs et obligations vous échéant et échéant à Lenovo, résultant de ou relatifs de quelque manière que ce soit aux dispositions de la présente Déclaration de Garantie, nonobstant tout conflit de lois.

CES GARANTIES VOUS CONFERENT DES DROITS SPECIFIQUES, ET IL EST POSSIBLE QUE VOUS DETENIEZ D'AUTRES DROITS, DONT LA NATURE VARIE SELON LA LEGISLATION QUI VOUS EST APPLICABLE.

Jurisdiction compétente

Tous les droits, devoirs et obligations des parties sont soumis aux tribunaux du pays dans lequel vous avez acquis la Machine.

Chapitre 2 - Dispositions nationales particulières

AMERIQUE

ARGENTINE

Jurisdiction compétente : *La ligne suivante est ajoutée après la première phrase :*
Toute contestation liée à la présente Déclaration de Garantie sera de la compétence exclusive du Tribunal Ordinaire de Commerce de Buenos Aires.

BOLIVIE

Jurisdiction compétente : *La ligne suivante est ajoutée après la première phrase :*
Toute contestation liée à la présente Déclaration de Garantie sera de la compétence exclusive du tribunal de La Paz.

BRESIL

Juridiction compétente : *La ligne suivante est ajoutée après la première phrase :*
Toute contestation liée à la présente Déclaration de Garantie sera de la compétence exclusive du tribunal de Rio de Janeiro, RJ.

CHILI

Juridiction compétente : *La ligne suivante est ajoutée après la première phrase :*
Toute contestation liée à la présente Déclaration de Garantie sera de la compétence exclusive du Tribunal de Commerce de Santiago.

COLOMBIE

Juridiction compétente : *La ligne suivante est ajoutée après la première phrase :*
Toute contestation liée à la présente Déclaration de Garantie sera de la compétence exclusive des Juges de la République de Colombie.

EQUATEUR

Juridiction compétente : *La ligne suivante est ajoutée après la première phrase :*
Toute contestation liée à la présente Déclaration de Garantie sera de la compétence exclusive des Juges de Quito.

MEXIQUE

Juridiction compétente : *La ligne suivante est ajoutée après la première phrase :*
Toute contestation liée à la présente Déclaration de Garantie sera de la compétence exclusive de la Cour fédérale de Mexico City, District fédéral.

PARAGUAY

Juridiction compétente : *La ligne suivante est ajoutée après la première phrase :*
Toute contestation liée à la présente Déclaration de Garantie sera de la compétence exclusive du tribunal d'Asuncion.

PEROU

Juridiction compétente : *La ligne suivante est ajoutée après la première phrase :*
Toute contestation liée à la présente Déclaration de Garantie sera de la compétence exclusive des Juges et des Tribunaux du district judiciaire de Lima, Cercado.

Limitation de responsabilité : *Le paragraphe suivant est ajouté à la fin de cet article :*

Aux termes de l'article 1328 du Code Civil péruvien, les limitations et exclusions spécifiées dans cette clause ne s'appliquent pas aux dommages causés par Lenovo du fait d'un manquement intentionnel à ses obligations professionnelles ("dolo") ou d'une faute lourde ("culpa inexcusable").

URUGUAY

Juridiction compétente : *La ligne suivante est ajoutée après la première phrase :*
Toute contestation liée à la présente Déclaration de Garantie sera de la compétence exclusive du tribunal de Montevideo.

VENEZUELA

Juridiction compétente : *La ligne suivante est ajoutée après la première phrase :*
Toute contestation liée à la présente Déclaration de Garantie sera de la compétence exclusive du tribunal de la zone métropolitaine de Caracas.

AMERIQUE DU NORD

Procédure d'obtention du service prévu par la Garantie : *La ligne suivante est ajoutée à cet article :*

Pour bénéficier du service prévu par la Garantie au Canada ou aux Etats-Unis, appelez le 1-800-426-7378 (426-7378).

CANADA

Limitation de responsabilité : *Le paragraphe suivant remplace l'alinéa 1 de cet article :*

1. des dommages corporels (y compris le décès) ou des dégâts matériels aux biens matériels, mobiliers et immobiliers causés par une négligence de Lenovo, et

Droit applicable : *La ligne suivante remplace "des lois du pays dans lequel vous avez acquis la Machine" dans la première phrase :*
des lois en vigueur dans la Province de l'Ontario.

ETATS-UNIS

Droit applicable : *La ligne suivante remplace "des lois du pays dans lequel vous avez acquis la Machine" dans la première phrase :*
des lois de l'Etat de New York.

ASIE PACIFIQUE

AUSTRALIE

Etendue de la garantie : *Le paragraphe suivant est ajouté à cet article :*

Les garanties mentionnées dans cet article s'ajoutent aux droits qui vous sont conférés par le Trade Practices Act de 1974 ou un autre texte de loi similaire qui ne peuvent être restreints que dans les limites autorisées par la législation en vigueur.

Limitation de responsabilité : *Le paragraphe suivant est ajouté à cet article :*

Lorsque Lenovo contrevient à une condition ou à une garantie découlant du Trade Practices Act de 1974 ou d'un autre texte de loi similaire, la responsabilité de Lenovo est limitée à la réparation ou au remplacement du

bien, ou à la fourniture d'un bien équivalent. Lorsque cette condition ou garantie se rapporte à un droit de vente, à une possession paisible ou à un titre incontestable, ou que les biens sont généralement acquis en vue d'une utilisation personnelle ou domestique, ou de consommation, aucune des limitations de ce paragraphe ne s'applique.

Droit applicable : *La ligne suivante remplace "des lois du pays dans lequel vous avez acquis la Machine" dans la première phrase :*
des lois de l'Etat ou du Territoire.

CAMBODGE ET LAOS

Droit applicable : *La ligne suivante remplace "des lois du pays dans lequel vous avez acquis la Machine" dans la première phrase :*
des lois de l'Etat de New York (Etats-Unis d'Amérique).

CAMBODGE, INDONESIE ET LAOS

Arbitrage : *Le paragraphe suivant est ajouté à cet article :*

Les conflits liés à la présente Déclaration de Garantie feront l'objet d'un arbitrage définitif à Singapour selon les règles d'arbitrage du Centre d'Arbitrage International de Singapour (Règles "SIAC") en vigueur à ce moment-là. La sentence arbitrale sera définitive et liera les parties, sans possibilité d'appel. Elle sera sous forme écrite, et énoncera les faits et les conclusions de la loi.

Les arbitres seront au nombre de trois, chaque partie étant autorisée à en désigner un. Les deux arbitres désignés par les parties devront nommer un troisième arbitre qui interviendra en tant que président. En cas de vacance du poste de président, ces fonctions seront prises en charge par le Président du Centre d'Arbitrage International de Singapour. Les autres vacances seront prises en charge par la partie nominante respective. Les débats reprendront au point auquel ils avaient été arrêtés au moment de la vacance.

Si l'une des parties refuse ou ne parvient pas à désigner un arbitre dans les 30 jours suivant la nomination de l'autre partie de son arbitre, le premier arbitre nommé sera le seul arbitre, à condition que sa nomination ait été effectuée dans les règles.

La totalité des débats, ainsi que tous les documents présentés dans le cadre de ceux-ci, seront en langue anglaise. La version en langue anglaise de la présente Déclaration de Garantie prévaut sur toute autre version dans une autre langue.

HONG-KONG (REGION ADMINISTRATIVE SPECIALE DE CHINE) ET MACAO (REGION ADMINISTRATIVE SPECIALE DE CHINE)

Droit applicable : *La ligne suivante remplace "des lois du pays dans lequel vous avez acquis la Machine" dans la première phrase :*

des lois de la Région Administrative Spéciale de Hong Kong (Chine).

INDE

Limitation de responsabilité : *Le paragraphe suivant remplace les alinéas 1 et 2 de cet article :*

1. des dommages corporels (incluant le décès) ou des dommages aux biens matériels, immobiliers et mobiliers, du fait de la négligence de Lenovo ; et
2. du prix payé pour la Machine à l'origine de la réclamation, pour tout autre dommage réel du fait d'un manquement de la part de Lenovo, ou ayant un quelconque rapport avec l'objet de la présente Déclaration de Garantie.

Arbitrage : *Le paragraphe suivant est ajouté à cet article :*

Les conflits liés à la présente Déclaration de Garantie feront l'objet d'un arbitrage définitif à Bangalore (Inde) conformément à la législation indienne alors en vigueur. La sentence arbitrale sera définitive et liera les parties, sans possibilité d'appel. Elle sera sous forme écrite, et énoncera les faits et les conclusions de la loi.

Les arbitres seront au nombre de trois, chaque partie étant autorisée à en désigner un. Les deux arbitres désignés par les parties devront nommer un troisième arbitre qui interviendra en tant que président. En cas de vacance du poste de président, ces fonctions seront prises en charge par le Président du Conseil de l'Ordre de l'Inde. Les autres vacances seront prises en charge par la partie nominante respective. Les débats reprendront au point auquel ils avaient été arrêtés au moment de la vacance.

Si l'une des parties refuse ou ne parvient pas à désigner un arbitre dans les 30 jours suivant la nomination de l'autre partie de son arbitre, le premier arbitre nommé sera le seul arbitre, à condition que sa nomination ait été effectuée dans les règles.

La totalité des débats, ainsi que tous les documents présentés dans le cadre de ceux-ci, seront en langue anglaise. La version en langue anglaise de la présente Déclaration de Garantie prévaut sur toute autre version dans une autre langue.

JAPON

Droit applicable : *La phrase suivante est ajoutée à cet article :*

Tout doute relatif à la présente Déclaration de Garantie sera préalablement éclairci en toute bonne foi par les parties et selon le principe de confiance mutuelle.

MALAISIE

Limitation de responsabilité : Le mot "*SPECIAUX*" dans l'alinéa 3 du cinquième paragraphe est supprimé.

NOUVELLE-ZELANDE

Etendue de la garantie : *Le paragraphe suivant est ajouté à cet article :*

Les garanties mentionnées dans cet article s'ajoutent aux droits qui vous sont conférés par l'accord Consumer Guarantees Act (CGA) de 1993 ou un autre texte de loi et qui ne peuvent être exclus ou limités. L'accord Consumer Guarantees Act de 1993 ne s'applique pas aux biens fournis par Lenovo, s'ils sont utilisés à des fins commerciales telles que définies dans l'accord CGA.

Limitation de responsabilité : *Le paragraphe suivant est ajouté à cet article :*

Si les Machines ne sont pas acquises à des fins commerciales, telles qu'elles sont définies dans l'accord Consumer Guarantees Act de 1993, les limitations de cet article sont soumises aux limitations énoncées dans l'accord CGA.

REPUBLIQUE POPULAIRE DE CHINE

Droit applicable : *La ligne suivante remplace "des lois du pays dans lequel vous avez acquis la Machine" dans la première phrase :*

des lois de l'Etat de New York (Etats-Unis d'Amérique) (sauf indication contraire par la législation locale).

PHILIPPINES

Limitation de responsabilité : *L'alinéa 3 du cinquième paragraphe est remplacé par ce qui suit :*

DOMMAGES INDIRECTS OU SPECIAUX (Y COMPRIS DOMMAGES SYMBOLIQUES ET EXEMPLAIRES), DOMMAGE MORAL, ACCESSOIRE OU DOMMAGES INDIRECTS POUR TOUT DOMMAGE ECONOMIQUE CONSECUTIF ; OU

Arbitrage : Le paragraphe suivant est ajouté à cet article :

Les conflits liés à la présente Déclaration de Garantie feront l'objet d'un arbitrage définitif à Metro Manille (Philippines) conformément à la législation philippine alors en vigueur. La sentence arbitrale sera définitive et liera les parties, sans possibilité d'appel. Elle sera sous forme écrite, et énoncera les faits et les conclusions de la loi.

Les arbitres seront au nombre de trois, chaque partie étant autorisée à en désigner un. Les deux arbitres désignés par les parties devront nommer un troisième arbitre qui interviendra en tant que président. En cas de vacance du poste de président, ces fonctions seront prises en charge par le Président du Philippine Dispute Resolution Center, Inc. Les autres vacances seront prises en charge par la partie nominante respective. Les débats reprendront au point auquel ils avaient été arrêtés au moment de la vacance.

Si l'une des parties refuse ou ne parvient pas à désigner un arbitre dans les 30 jours suivant la nomination de l'autre partie de son arbitre, le premier arbitre nommé sera le seul arbitre, à condition que sa nomination ait été effectuée dans les règles.

La totalité des débats, ainsi que tous les documents présentés dans le cadre de ceux-ci, seront en langue anglaise. La version en langue anglaise de la présente Déclaration de Garantie prévaut sur toute autre version dans une autre langue.

SINGAPOUR

Limitation de responsabilité : *Les mots "SPECIAUX" et "ECONOMIQUE" de l'alinéa 3 du cinquième paragraphe sont supprimés.*

EUROPE, MOYEN-ORIENT, AFRIQUE (EMEA)

LES DISPOSITIONS SUIVANTES S'APPLIQUENT A TOUS LES PAYS EMEA :

Les dispositions exposées dans la présente Déclaration de Garantie s'appliquent aux Machines achetées auprès de Lenovo ou d'un revendeur Lenovo.

Procédure d'obtention du service prévu par la Garantie :

*Ajoutez le paragraphe suivant en **Europe de l'ouest** (Allemagne, Andorre, Autriche, Belgique, Chypre, Danemark, Espagne, Estonie, Finlande, France, Grèce, Hongrie, Irlande, Islande, Italie, Lettonie, Liechtenstein, Lituanie, Luxembourg, Malte, Monaco, Norvège, Pays-Bas, Pologne, Portugal, République tchèque, Royaume-Uni, San Marin, Slovaquie, Slovénie, Suède, Suisse, Etat du Vatican et tout pays intégré ultérieurement à l'Union Européenne, à compter de la date de son adhésion) :*

La garantie des Machines acquises en Europe de l'ouest doit être valide et applicable dans tous les pays de l'Europe de l'ouest, sous réserve que les Machines aient été annoncées et mises à disposition dans ces pays.

Si vous achetez une Machine dans l'un des pays d'Europe de l'ouest définis ci-avant, vous pouvez obtenir le service prévu par la Garantie de cette Machine dans n'importe lequel de ces pays auprès d'un Fournisseur de Services, sous réserve que la Machine ait été annoncée et mise à disposition par Lenovo dans le pays dans lequel vous souhaitez obtenir le service.

Si vous avez acheté un PC en Albanie, en Arménie, au Bélarus, en Bosnie-Herzégovine, en Bulgarie, en Croatie, dans l'ex-République yougoslave de Macédoine, en Géorgie, en Hongrie, au Kazakhstan, au Kirghizistan, en Moldavie, en Pologne, en République slovaque, en République tchèque, en Roumanie, en Russie, en Slovénie, en Ukraine ou en République fédérale de Yougoslavie, vous pouvez obtenir le service prévu par la Garantie de cette Machine dans n'importe lequel de ces pays auprès d'un Fournisseur de

Services, sous réserve que la Machine ait été annoncée et mise à disposition par Lenovo dans le pays dans lequel vous souhaitez obtenir le service.

Si vous achetez une Machine dans un pays du Moyen-Orient ou en Afrique, vous pouvez obtenir le service prévu par la Garantie de cette Machine auprès d'un Fournisseur de Services du pays dans lequel vous avez effectué l'achat, sous réserve que la Machine ait été annoncée et mise à disposition par Lenovo dans ce pays. Le service prévu par la Garantie en Afrique est disponible dans un rayon de 50 kilomètres d'un Fournisseur de Services. Les frais de transport des Machines situées à plus de 50 kilomètres d'un Fournisseur de Services sont à votre charge.

Droit applicable :

La mention "l'application des lois du pays dans lequel vous avez acquis la Machine" est remplacée par :

1) "l'application du droit autrichien" en Albanie, en Arménie, en Azerbaïdjan, au Bélarus, en Bosnie-Herzégovine, en Bulgarie, en Croatie, en Géorgie, en Hongrie, au Kazakhstan, au Kirghizistan, dans l'ex-République yougoslave de Macédoine, en Moldavie, en Pologne, en République slovaque, en Roumanie, en Russie, en Slovénie, au Tadjikistan, au Turkménistan, en Ukraine, en Ouzbékistan ou en République fédérale de Yougoslavie ; 2) "l'application du droit français" en Algérie, au Bénin, au Burkina Faso, au Cameroun, au Cap-Vert, en République centrafricaine, au Tchad, aux Comores, en République du Congo, à Djibouti, en République démocratique du Congo, en Guinée Equatoriale, en Guyane française, en Polynésie française, au Gabon, en Gambie, en Guinée, en Guinée-Bissau, en Côte d'Ivoire, au Liban, à Madagascar, au Mali, en Mauritanie, sur l'île Maurice, sur l'île Mayotte, au Maroc, en Nouvelle-Calédonie, au Niger, dans l'île de la Réunion, au Sénégal, aux Seychelles, au Togo, en Tunisie, dans les îles Vanuatu, et Wallis et Futuna ; 3) "l'application du droit finlandais" en Estonie, en Lettonie et en Lituanie ; 4) "l'application du droit anglais" en Angola, en Arabie saoudite, au Bahreïn, au Botswana, à Burundi, en Egypte, aux Emirats arabes unis, en Erythrée, en Ethiopie, au Ghana, en Jordanie, au Kenya, au Koweït, au Libéria, au Malawi, à Malte, au Mozambique, au Nigeria, au Sultanat d'Oman, au Pakistan, en Ouganda, au Qatar, au Rwanda, à Sao Tomé, en Sierra Leone, en Somalie, en Tanzanie, au Royaume-Uni, en Cisjordanie et à Gaza, au Yémen, en Zambie et au Zimbabwe ; et 5) "l'application du droit sud-africain" en Afrique du Sud, au Lesotho, en Namibie, et au Swaziland.

Juridiction compétente : *Les exceptions suivantes sont ajoutées à cet article :*

1) **En Autriche**, toutes les contestations liées à la présente Déclaration de Garantie, y compris à son existence, seront de la compétence exclusive du tribunal de Vienne, Autriche (Inner-City) ; 2) **en Angola, en Arabie saoudite, au Bahreïn, au Botswana, au Burundi, en Egypte, en Erythrée, aux Emirats arabes unis, en Ethiopie, au Ghana, en Jordanie, au Kenya, au Koweït, au Libéria, au Malawi, à Malte, au Mozambique, au Nigéria, au Sultanat**

d'Oman, au Pakistan, en Ouganda, au Qatar, au Rwanda, à Sao Tomé, en Sierra Leone, en Somalie, en Tanzanie, en Cisjordanie et à Gaza, au Yémen, en Zambie et au Zimbabwe, toutes les contestations découlant de la présente Déclaration de Garantie ou liées à son exécution, y compris en référé, seront de la compétence exclusive des tribunaux anglais ; 3) **en Belgique et au Luxembourg**, toutes les contestations découlant de la présente Déclaration de Garantie ou liées à son interprétation ou à son exécution seront de la compétence exclusive des lois et des tribunaux de la capitale du pays dans lequel se trouve Votre siège social et/ou commercial ; 4) **en France, en Algérie, au Bénin, au Burkina Faso, au Cameroun, au Cap-Vert, en République centrafricaine, au Tchad, aux Comores, en République du Congo, à Djibouti, en République démocratique du Congo, en Guinée-Equatoriale, en Guyane française, en Polynésie française, au Gabon, en Gambie, en Guinée, en Guinée-Bissau, en Côte d'Ivoire, au Liban, à Madagascar, au Mali, en Mauritanie, dans l'Île Maurice, dans l'Île Mayotte, au Maroc, en Nouvelle Calédonie, au Niger, dans l'Île de la Réunion, au Sénégal, aux Seychelles, au Togo, en Tunisie, dans les Îles Vanuatu, et Wallis & Futuna**, toutes les contestations découlant de la présente Déclaration de Garantie ou liées à sa violation ou à son exécution seront de la compétence exclusive, y compris en référé, du Tribunal de Commerce de Paris ; 5) **en Russie**, toutes les contestations liées à l'interprétation, la violation, la résiliation ou la nullité de l'exécution de la présente Déclaration de Garantie seront réglées par le Tribunal d'arbitrage de Moscou ; 6) **en Afrique du sud, en Namibie, au Lesotho et au Swaziland**, les deux parties s'engagent à soumettre tous les conflits liés à la présente Déclaration de Garantie à la juridiction de la Haute Cour de Johannesburg ; 7) **en Turquie**, tous les conflits découlant de ou liés à la présente Déclaration de Garantie seront réglés par les cours centrales d'Istanbul (Sultanahmet) et les "Execution Directorates" d'Istanbul, République de Turquie ; 8) dans chacun des pays répertoriés ci-après, toute plainte découlant de la présente Déclaration de Garantie sera déposée, puis jugée uniquement par la cour compétente située à a) Athènes pour la Grèce, b) Tel Aviv-Jaffa pour Israël, c) Milan pour l'Italie, d) Lisbonne pour le Portugal, et e) Madrid pour l'Espagne ; et 9) **au Royaume-Uni**, les deux parties s'engagent à soumettre tous les conflits relatifs à la présente Déclaration de Garantie à la juridiction des cours anglaises.

Arbitrage : Le paragraphe suivant est ajouté à cet article :

En Albanie, en Arménie, en Azerbaïdjan, au Bélarus, en Bosnie-Herzégovine, en Bulgarie, en Croatie, dans l'ex-République yougoslave de Macédoine, en Géorgie, en Hongrie, au Kazakhstan, au Kirghizistan, en Moldavie, en Pologne, en Roumanie, en Russie, en Slovaquie, en Slovénie, au Tadjikistan, au Turkménistan, en Ukraine, en Ouzbékistan et en République fédérale de Yougoslavie, tout désaccord résultant de la présente Déclaration de Garantie relatif à sa violation, sa rupture ou sa nullité sera définitivement réglé selon les Règles d'Arbitrage et de Conciliation du International Arbitral Center de la Federal Economic Chamber de Vienne (lois viennoises) par trois arbitres nommés conformément à ces règles. L'arbitrage aura lieu à Vienne, Autriche, et

la langue officielle des débats sera l'anglais. La décision des arbitres sera considérée comme finale et liera les deux parties. De ce fait, en vertu du paragraphe 598(2) du Code de Procédures Civil autrichien, les parties renoncent expressément à l'application du paragraphe 595 (1) figure 7 de ce Code. Lenovo peut cependant contester devant une cour compétente dans le pays d'installation.

En Estonie, Lettonie et Lituanie, tout désaccord lié à la présente Déclaration de Garantie sera définitivement résolu par voie d'arbitrage à Helsinki (Finlande), conformément aux lois d'arbitrage finlandaises en vigueur. Chaque partie désignera un arbitre et les arbitres désignés nommeront collégalement un président. Si aucun accord n'est trouvé concernant le président, ce dernier sera nommé par la Central Chamber of Commerce à Helsinki.

UNION EUROPEENNE (UE)

LES DISPOSITIONS SUIVANTES S'APPLIQUENT A TOUS LES PAYS de l'UNION EUROPEENNE :

La garantie des Machines acquises dans les pays de l'Union Européenne est valide et applicable dans tous les pays de l'Union Européenne, sous réserve que les Machines aient été annoncées et mises à disposition dans ces pays.

Procédure d'obtention du service prévu par la Garantie : *La ligne suivante est ajoutée à cet article :*

Pour obtenir le service prévu par la Garantie auprès du service de maintenance IBM dans les pays de l'UE, consultez la liste des numéros de téléphone dans le Chapitre 3 - Informations relatives à la Garantie.

Vous pouvez prendre contact avec le service de maintenance IBM à l'adresse suivante :

IBM Warranty & Service Quality Dept.
PO Box 30
Spango Valley
Greenock
Scotland PA16 0AH

CONSOMMATEURS

Les consommateurs disposent de droits selon la loi nationale en vigueur régissant la vente de biens de consommation. Ces droits ne sont pas affectés par les garanties fournies dans la présente Déclaration de Garantie.

**AUTRICHE, DANEMARK, ESPAGNE, FINLANDE, GRÈCE, ITALIE,
NORVÈGE, PAYS-BAS, PORTUGAL, SUÈDE ET SUISSE**

Limitation de responsabilité : *Le paragraphe suivant remplace les dispositions de cet article dans sa totalité :*

Sauf disposition légale impérative contraire :

1. La responsabilité de Lenovo, concernant tout dommage et perte pouvant survenir dans le cadre de l'exercice de ses obligations liées directement ou indirectement à la présente Déclaration de Garantie ou résultant d'autres causes liées à cette Déclaration de Garantie, est limitée au dédommagement des seuls dommages et pertes prouvés et résultant immédiatement et directement du manquement à ces obligations (en cas de faute de Lenovo) ou d'une telle cause, pour un montant maximum égal aux redevances que vous avez payées pour la Machine.

La limitation sus-mentionnée ne s'applique pas aux dommages corporels (incluant le décès) et dommages aux biens matériels, mobiliers et immobiliers, pour lesquels Lenovo est légalement responsable.

2. **LENOVO, SES FOURNISSEURS, SES REVENDEURS OU LES FOURNISSEURS DE SERVICES NE PEUVENT EN AUCUN CAS ETRE TENUS RESPONSABLES DES DOMMAGES SUIVANTS, ET CE, MEME S'ILS ONT ETE INFORMES DE LEUR POSSIBLE SURVENANCE : 1) PERTE OU DETERIORATION DE DONNEES ; 2) DOMMAGES INDIRECTS OU SPECIAUX ; 3) PERTE DE BENEFICES, MEME SI CELLE-CI EST LA CONSEQUENCE IMMEDIATE DE L'EVENEMENT A L'ORIGINE DES DOMMAGES ; OU 4) PREJUDICE COMMERCIAL, PERTE DE CHIFFRE D'AFFAIRES, PERTE DE CLIENTELE OU PERTE D'ECONOMIES ESCOMPTEES.**

FRANCE ET BELGIQUE

Limitation de responsabilité : *Le paragraphe suivant remplace les dispositions de cet article dans sa totalité :*

Sauf disposition légale impérative contraire :

1. La responsabilité de Lenovo, concernant tout dommage et perte pouvant survenir dans le cadre de l'exercice de ses obligations liées directement ou indirectement à la présente Déclaration de Garantie ou résultant d'autres causes liées à ce Contrat, est limitée au dédommagement des seuls dommages et pertes prouvés et résultant immédiatement et directement du manquement à ces obligations (en cas de faute de Lenovo) ou d'une telle cause, pour un montant maximum égal aux redevances que vous avez payées pour la Machine qui a causé les dommages.

La limitation sus-mentionnée ne s'applique pas aux dommages corporels (incluant le décès) et dommages aux biens matériels, mobiliers et immobiliers, pour lesquels Lenovo est légalement responsable.

2. **LENOVO, SES FOURNISSEURS, SES REVENDEURS OU LES FOURNISSEURS DE SERVICES NE PEUVENT EN AUCUN CAS ETRE TENUS RESPONSABLES DES DOMMAGES SUIVANTS, ET CE, MEME S'ILS ONT ETE INFORMES DE LEUR POSSIBLE SURVENANCE : 1) PERTE OU DETERIORATION DE DONNEES ; 2) DOMMAGES INDIRECTS OU SPECIAUX ; 3) PERTE DE BENEFICES, MEME SI CELLE-CI EST LA CONSEQUENCE IMMEDIATE DE L'EVENEMENT A L'ORIGINE DES DOMMAGES ; OU 4) PREJUDICE COMMERCIAL, PERTE DE CHIFFRE D'AFFAIRES, PERTE DE CLIENTELE OU PERTE D'ECONOMIES ESCOMPTEES.**

LES DISPOSITIONS SUIVANTES S'APPLIQUENT AU(X) PAYS SPECIFIE(S) :

AUTRICHE

Les dispositions de la présente Déclaration de Garantie remplacent toute autre garantie légale applicable. Etendue de la garantie : *La phrase suivante remplace la première phrase du premier paragraphe de cet article :*

La garantie d'une Machine Lenovo couvre les fonctionnalités de la Machine dans des conditions normales d'utilisation et la conformité de la Machine à ses spécifications.

Les paragraphes suivants sont ajoutés à cet article :

Le délai de prescription pour les consommateurs intentant une action pour rupture de garantie correspond au minimum au délai légal. Si votre Fournisseur de Services se trouvait dans l'incapacité de réparer une Machine Lenovo, vous pouvez éventuellement demander un remboursement partiel, à condition qu'il soit justifié par la perte de valeur de la Machine non réparée, ou demander une annulation de l'accord en vigueur pour la Machine et obtenir un remboursement total.

Le deuxième paragraphe n'est pas applicable.

Résolution d'incidents par Lenovo : *Le paragraphe suivant est ajouté à cet article :*
Pendant la période de garantie, les frais de transport de la Machine en panne vers un centre de maintenance IBM sont à la charge de Lenovo.

Limitation de responsabilité : *Le paragraphe suivant est ajouté à cet article :*
Les limitations et exclusions mentionnées dans la Déclaration de Garantie ne s'appliquent pas aux dommages causés par Lenovo en cas de fraude ou de faute grave, ni à la garantie explicite.

La phrase suivante est ajoutée à la fin du premier paragraphe de l'alinéa 2 :
La responsabilité de Lenovo aux termes de cet alinéa se limite à la violation des dispositions essentielles du Contrat du fait d'une négligence.

EGYPTE

Limitation de responsabilité : *Le paragraphe suivant remplace l'alinéa 2 de cet article :*

du prix payé, en ce qui concerne tout autre dommage réel direct pour la Machine à l'origine de la réclamation.

Applicabilité des fournisseurs, des revendeurs et des Fournisseur de Services (non modifiée).

FRANCE

Limitation de responsabilité : *Le paragraphe suivant remplace la deuxième phrase du premier paragraphe de cet article :*

Dans ce cas, quel que soit le fondement de l'action que vous pourriez engager contre Lenovo, Lenovo ne sera responsable qu'à concurrence : (alinéas 1 et 2 non modifiés).

ALLEMAGNE

Etendue de la garantie : *La phrase suivante remplace la première phrase du premier paragraphe de cet article :*

La garantie d'une Machine Lenovo couvre les fonctionnalités de la Machine dans des conditions normales d'utilisation et la conformité de la Machine à ses spécifications.

Les paragraphes suivants sont ajoutés à cet article :

La période minimale de garantie pour les Machines est de douze mois. Si votre Fournisseur de Services se trouvait dans l'incapacité de réparer une Machine Lenovo, vous pouvez éventuellement demander un remboursement partiel, à condition qu'il soit justifié par la perte de valeur de la Machine non réparée, ou demander une annulation de l'accord en vigueur pour la Machine et obtenir un remboursement total.

Le deuxième paragraphe n'est pas applicable.

Résolution d'incidents par Lenovo : *Le paragraphe suivant est ajouté à cet article :*

Pendant la période de garantie, les frais de transport de la Machine en panne vers un centre de maintenance IBM ou Lenovo sont à la charge de Lenovo.

Limitation de responsabilité : *Le paragraphe suivant est ajouté à cet article :*

Les limitations et exclusions mentionnées dans la Déclaration de Garantie ne s'appliquent pas aux dommages causés par Lenovo en cas de fraude ou de faute grave, ni à la garantie explicite.

La phrase suivante est ajoutée à la fin du premier paragraphe de l'alinéa 2 :

La responsabilité de Lenovo aux termes de cet alinéa se limite à la violation des dispositions essentielles du Contrat du fait d'une négligence.

HONGRIE

Limitation de responsabilité : *Le paragraphe suivant est ajouté à la fin de cet article :*

La limitation et l'exclusion indiquées dans le présent article ne s'appliqueront pas à la responsabilité pour rupture de contrat occasionnant des dommages corporels, y compris le décès, et des dommages à la santé causés intentionnellement par une faute grave ou un acte criminel.

Les parties acceptent que les limitations de responsabilité sont des dispositions valides et indiquent que l'article 314.(2) du code civil hongrois s'applique dans la mesure où le prix d'achat et d'autres avantages découlant de la présente Déclaration de Garantie compensent cette limitation de responsabilité.

IRLANDE

Etendue de la garantie : *Le paragraphe suivant est ajouté à cet article :*

Sauf disposition contraire contenue dans les présentes, toutes les dispositions légales y compris toutes garanties implicites, et sans préjudice de ce qui précède, toutes les garanties susdites découlant du Sale of Goods Act de 1893 ou du Sale of Goods and Supply of Services Act 1980, sont exclues.

Limitation de responsabilité : *Le paragraphe suivant remplace les dispositions de l'article dans sa totalité :*

Pour l'application du présent article, le terme "Défaillance" désigne tout acte, déclaration, omission ou négligence du fait de Lenovo en rapport avec l'objet de la présente Déclaration de Garantie, dont Lenovo est légalement responsable envers vous, qu'il s'agisse d'une responsabilité contractuelle ou délictuelle. Un certain nombre de Défaillances qui, conjointement, donnent lieu ou contribuent de manière substantielle à la même perte ou aux mêmes dommages seront considérés comme étant une seule Défaillance se produisant à la date de survenance de la dernière Défaillance.

Des circonstances peuvent survenir où, en raison d'une Défaillance, vous avez droit à recouvrer des dommages de Lenovo.

Le présent article expose les limites de responsabilité de Lenovo, ainsi que votre recours exclusif.

1. Lenovo assumera une responsabilité illimitée pour un décès ou des dommages corporels occasionnés du fait de la négligence de Lenovo.
2. Toujours sous réserve des **Cas pour lesquels Lenovo n'est pas responsable** ci-après, Lenovo assumera une responsabilité illimitée pour les dommages matériels occasionnés à vos biens mobiliers du fait de la négligence de Lenovo.
3. Sous réserve des dispositions des alinéas 1 et 2 ci-dessus, l'entière responsabilité de Lenovo pour les dommages réels causés par une

Défaillance quelle qu'elle soit n'excédera en aucun cas 125 % du montant que vous avez payé pour la Machine directement en rapport avec la Défaillance.

Cas pour lesquels Lenovo n'est pas responsable

Sous réserve de toute responsabilité mentionnée dans l'alinéa 1 ci-dessus, Lenovo, ses fournisseurs, ses revendeurs ou les Fournisseurs de Services ne seront en aucun cas responsables des cas suivants, même si Lenovo, ses fournisseurs, ses revendeurs ou les Fournisseurs de Services ont été informés de la survenance possible de tels dommages :

1. perte ou détérioration des données ;
2. préjudice spécial, indirect ou accessoire ; ou
3. perte de bénéfices, d'activité commerciale, de revenu, de clientèle ou d'économies escomptées.

SLOVAQUIE

Limitation de responsabilité : *La phrase suivante est ajoutée à la fin du dernier paragraphe :*

Les limitations s'appliquent dans la mesure où elles ne sont pas interdites aux termes des articles §§ 373-386 du code de commerce slovaque.

AFRIQUE DU SUD, NAMIBIE, BOTSWANA, LESOTHO ET SWAZILAND

Limitation de responsabilité : *Le paragraphe suivant est ajouté à cet article :*

La responsabilité globale de Lenovo à votre égard se limite au prix payé pour la Machine à l'origine de la réclamation, pour tout dommage réel du fait d'un manquement de la part de Lenovo, ou ayant un quelconque rapport avec l'objet de la présente Déclaration de Garantie.

ROYAUME-UNI

Limitation de responsabilité : *Le paragraphe suivant remplace les dispositions de cet article dans sa totalité :*

Pour l'application du présent article, le terme "Défaillance" désigne tout acte, déclaration, omission ou négligence du fait de Lenovo en rapport avec l'objet de la présente Déclaration de Garantie, dont Lenovo est légalement responsable envers vous, qu'il s'agisse d'une responsabilité contractuelle ou délictuelle. Un certain nombre de Défaillances qui, conjointement, donnent lieu ou contribuent à la même perte ou aux mêmes dommages sera considéré comme étant une seule Défaillance.

Des circonstances peuvent survenir où, en raison d'une Défaillance, vous avez droit à recouvrer des dommages de Lenovo.

Le présent article expose les limites de responsabilité de Lenovo, ainsi que votre recours exclusif.

1. Lenovo assumera une responsabilité illimitée pour :
 - a. un décès ou des dommages corporels occasionnés du fait de la négligence de Lenovo ; et
 - b. toute inexécution de ses obligations mentionnées dans la Section 12 du Sale of Goods Act de 1979 ou dans la Section 2 du Supply of Goods and Services Act de 1982, ou dans toute modification ou remise en vigueur légale de l'une de ces Sections.
2. Lenovo assumera une responsabilité illimitée, toujours sous réserve des **Cas pour lesquels Lenovo n'est pas responsable** ci-dessous, pour les dommages matériels occasionnés à vos biens mobiliers du fait de la négligence de Lenovo.
3. Sous réserve des dispositions des alinéas 1 et 2 ci-dessus, l'entière responsabilité de Lenovo pour les dommages réels causés par une Défaillance quelle qu'elle soit n'excédera en aucun cas 125 % du prix d'achat total payable ou des redevances correspondant à la Machine directement en rapport avec la Défaillance.

Cette limitation de responsabilité s'applique également aux fournisseurs et revendeurs de Lenovo et aux Fournisseurs de Services. Elles indiquent le maximum pour lequel Lenovo, ses fournisseurs, ses développeurs et les Fournisseurs de Services sont collectivement responsables.

Cas pour lesquels Lenovo n'est pas responsable

Sous réserve de toute responsabilité mentionnée dans l'alinéa 1 ci-dessus, Lenovo, ses fournisseurs, ses revendeurs ou les Fournisseurs de Services ne seront en aucun cas responsables des cas suivants, même si Lenovo, ses fournisseurs, ses revendeurs ou les Fournisseurs de Services ont été informés de la survenance possible de tels dommages :

1. perte ou détérioration des données ;
2. préjudice spécial, indirect ou accessoire ; ou
3. perte de bénéfices, d'activité commerciale, de revenu, de clientèle ou d'économies escomptées.

CHAPITRE 3 - Informations relatives à la Garantie

Le présent Chapitre 3 contient des informations relatives à la Garantie applicable à votre Machine, y compris la période de Garantie et le type de service de Garantie fourni par Lenovo.

Période de garantie

La période de garantie peut varier en fonction du pays ou de la région et est indiquée dans le tableau ci-dessous. REMARQUE : Le terme "Région" désigne soit Hong-Kong, soit Macao (Région Administrative Spéciale de Chine).

Une période de garantie d'un (1) an pour les pièces et d'un (1) an pour la main-d'oeuvre signifie que Lenovo fournit le service prévu par la garantie pendant la première année de la période de garantie.

Type de machine	Pays ou Région d'acquisition	Période de garantie	Types de service prévus par la garantie
6490	Etats-Unis, Angola, Botswana, Burundi, Erythrée, Ethiopie, Ghana, Kenya, Libéria, Malawi, Malte, Mozambique, Nigéria, Rwanda, Sao Tomé, Sierra Leone, Somalie, Tanzanie, Ouganda, Zambie, Zimbabwe, Argentine, Bolivie, Belize, Brésil, Chili, Colombie, Costa Rica, République dominicaine, Equateur, El Salvador, Guatemala, Haïti, Honduras, Mexico, Nicaragua, Panama, Paraguay, Pérou, Uruguay, Venezuela, Brésil, Europe, Moyen-Orient, Afrique, Australie, Nouvelle-Zélande, Singapour, Malaisie, Thaïlande, Indonésie, Philippines, Viet-Nam, Brunei, Sri Lanka, Bangladesh, Inde, Corée, Hong Kong, Taïwan, République Populaire de Chine, Japon	Pièces et main d'oeuvre - 3 ans	5
6491	Etats-Unis, Angola, Botswana, Burundi, Erythrée, Ethiopie, Ghana, Kenya, Libéria, Malawi, Malte, Mozambique, Nigéria, Rwanda, Sao Tomé, Sierra Leone, Somalie, Tanzanie, Ouganda, Zambie, Zimbabwe, Argentine, Bolivie, Belize, Brésil, Chili, Colombie, Costa Rica, République dominicaine, Equateur, El Salvador, Guatemala, Haïti, Honduras, Mexico, Nicaragua, Panama, Paraguay, Pérou, Uruguay, Venezuela, Brésil, Europe, Moyen-Orient, Afrique, Australie, Nouvelle-Zélande, Singapour, Malaisie, Thaïlande, Indonésie, Philippines, Viet-Nam, Brunei, Sri Lanka, Bangladesh, Inde, Corée, Hong Kong, Taïwan, République Populaire de Chine, Japon	Pièces et main d'oeuvre - 3 ans	5
8013	Etats-Unis, Angola, Botswana, Burundi, Erythrée, Ethiopie, Ghana, Kenya, Libéria, Malawi, Malte, Mozambique, Nigéria, Rwanda, Sao Tomé, Sierra Leone, Somalie, Tanzanie, Ouganda, Zambie, Zimbabwe, Argentine, Bolivie, Belize, Brésil, Chili, Colombie, Costa Rica, République dominicaine, Equateur, El Salvador, Guatemala, Haïti, Honduras, Mexico, Nicaragua, Panama, Paraguay, Pérou, Uruguay, Venezuela, Brésil, Europe, Moyen-Orient, Afrique, Australie, Nouvelle-Zélande, Singapour, Malaisie, Thaïlande, Indonésie, Philippines, Viet-Nam, Brunei, Sri Lanka, Bangladesh, Inde, Corée, Hong Kong, Taïwan, République Populaire de Chine	Pièces et main d'oeuvre - 1 an	5

Type de machine	Pays ou Région d'acquisition	Période de garantie	Types de service prévus par la garantie
8013	Japon	Pièces et main d'oeuvre - 1 an	6
8700	Etats-Unis, Angola, Botswana, Burundi, Erythrée, Ethiopie, Ghana, Kenya, Libéria, Malawi, Malte, Mozambique, Nigéria, Rwanda, Sao Tomé, Sierra Leone, Somalie, Tanzanie, Ouganda, Zambie, Zimbabwe, Argentine, Bolivie, Belize, Brésil, Chili, Colombie, Costa Rica, République dominicaine, Equateur, El Salvador, Guatemala, Haïti, Honduras, Mexico, Nicaragua, Panama, Paraguay, Pérou, Uruguay, Venezuela, Brésil, Europe, Moyen-Orient, Afrique, Australie, Nouvelle-Zélande, Singapour, Malaisie, Thaïlande, Indonésie, Philippines, Viet-Nam, Brunei, Sri Lanka, Bangladesh, Inde, Corée, Hong Kong, Taïwan, République Populaire de Chine	Pièces et main d'oeuvre - 1 an	5
8700	Japon	Pièces et main d'oeuvre - 1 an	6
8701	Etats-Unis, Angola, Botswana, Burundi, Erythrée, Ethiopie, Ghana, Kenya, Libéria, Malawi, Malte, Mozambique, Nigéria, Rwanda, Sao Tomé, Sierra Leone, Somalie, Tanzanie, Ouganda, Zambie, Zimbabwe, Argentine, Bolivie, Belize, Brésil, Chili, Colombie, Costa Rica, République dominicaine, Equateur, El Salvador, Guatemala, Haïti, Honduras, Mexico, Nicaragua, Panama, Paraguay, Pérou, Uruguay, Venezuela, Brésil, Europe, Moyen-Orient, Afrique, Australie, Nouvelle-Zélande, Singapour, Malaisie, Thaïlande, Indonésie, Philippines, Viet-Nam, Brunei, Sri Lanka, Bangladesh, Inde, Corée, Hong Kong, Taïwan, République Populaire de Chine	Pièces et main d'oeuvre - 1 an	5
8701	Japon	Pièces et main d'oeuvre - 1 an	6

Type de machine	Pays ou Région d'acquisition	Période de garantie	Types de service prévus par la garantie
8702	Etats-Unis, Angola, Botswana, Burundi, Erythrée, Ethiopie, Ghana, Kenya, Libéria, Malawi, Malte, Mozambique, Nigéria, Rwanda, Sao Tomé, Sierra Leone, Somalie, Tanzanie, Ouganda, Zambie, Zimbabwe, Argentine, Bolivie, Belize, Brésil, Chili, Colombie, Costa Rica, République dominicaine, Equateur, El Salvador, Guatemala, Haïti, Honduras, Mexico, Nicaragua, Panama, Paraguay, Pérou, Uruguay, Venezuela, Brésil, Europe, Moyen-Orient, Afrique, Australie, Nouvelle-Zélande, Singapour, Malaisie, Thaïlande, Indonésie, Philippines, Viet-Nam, Brunei, Sri Lanka, Bangladesh, Inde, Corée, Hong Kong, Taïwan, République Populaire de Chine	Pièces et main d'oeuvre - 1 an	5
8702	Japon	Pièces et main d'oeuvre - 1 an	6
8705	Etats-Unis, Angola, Botswana, Burundi, Erythrée, Ethiopie, Ghana, Kenya, Libéria, Malawi, Malte, Mozambique, Nigéria, Rwanda, Sao Tomé, Sierra Leone, Somalie, Tanzanie, Ouganda, Zambie, Zimbabwe, Argentine, Bolivie, Belize, Brésil, Chili, Colombie, Costa Rica, République dominicaine, Equateur, El Salvador, Guatemala, Haïti, Honduras, Mexico, Nicaragua, Panama, Paraguay, Pérou, Uruguay, Venezuela, Brésil, Europe, Moyen-Orient, Afrique, Australie, Nouvelle-Zélande, Singapour, Malaisie, Thaïlande, Indonésie, Philippines, Viet-Nam, Brunei, Sri Lanka, Bangladesh, Inde, Corée, Hong Kong, Taïwan, République Populaire de Chine	Pièces et main d'oeuvre - 1 an	5
8705	Japon	Pièces et main d'oeuvre - 1 an	6

Type de machine	Pays ou Région d'acquisition	Période de garantie	Types de service prévus par la garantie
8706	Etats-Unis, Angola, Botswana, Burundi, Erythrée, Ethiopie, Ghana, Kenya, Libéria, Malawi, Malte, Mozambique, Nigéria, Rwanda, Sao Tomé, Sierra Leone, Somalie, Tanzanie, Ouganda, Zambie, Zimbabwe, Argentine, Bolivie, Belize, Brésil, Chili, Colombie, Costa Rica, République dominicaine, Equateur, El Salvador, Guatemala, Haïti, Honduras, Mexico, Nicaragua, Panama, Paraguay, Pérou, Uruguay, Venezuela, Brésil, Europe, Moyen-Orient, Afrique, Australie, Nouvelle-Zélande, Singapour, Malaisie, Thaïlande, Indonésie, Philippines, Viet-Nam, Brunei, Sri Lanka, Bangladesh, Inde, Corée, Hong Kong, Taiwan, République Populaire de Chine	Pièces et main d'oeuvre - 1 an	5
8706	Japon	Pièces et main d'oeuvre - 1 an	6
8716	Europe, Moyen-Orient, Afrique	Pièces et main d'oeuvre - 1 an	7
8717	Europe, Moyen-Orient, Afrique	Pièces et main d'oeuvre - 1 an	7
8970	Europe, Moyen-Orient, Afrique	Pièces et main d'oeuvre - 1 an	7
8972	Europe, Moyen-Orient, Afrique	Pièces et main d'oeuvre - 1 an	7
8973	Europe, Moyen-Orient, Afrique	Pièces et main d'oeuvre - 1 an	7
8975	Europe, Moyen-Orient, Afrique	Pièces et main d'oeuvre - 1 an	7

Type de machine	Pays ou Région d'acquisition	Période de garantie	Types de service prévus par la garantie
8976	Australie, Nouvelle-Zélande, Singapour, Malaisie, Thaïlande, Indonésie, Philippines, Viet-Nam, Brunei, Sri Lanka, Bangladesh, Inde, Corée, Hong Kong, Taïwan, République Populaire de Chine	Pièces - 3 ans Main d'oeuvre - 1 an	5
8976	Europe, Moyen-Orient, Afrique	Pièces et main d'oeuvre - 3 ans	7
8979	Australie, Nouvelle-Zélande, Singapour, Malaisie, Thaïlande, Indonésie, Philippines, Viet-Nam, Brunei, Sri Lanka, Bangladesh, Inde, Corée, Hong Kong, Taïwan, République Populaire de Chine	Pièces - 3 ans Main d'oeuvre - 1 an	5
8979	Europe, Moyen-Orient, Afrique	Pièces et main d'oeuvre - 3 ans	7
8980	Australie, Nouvelle-Zélande, Singapour, Malaisie, Thaïlande, Indonésie, Philippines, Viet-Nam, Brunei, Sri Lanka, Bangladesh, Inde, Corée, Hong Kong, Taïwan, République Populaire de Chine	Pièces - 3 ans Main d'oeuvre - 1 an	5
8980	Europe, Moyen-Orient, Afrique	Pièces et main d'oeuvre - 3 ans	7
8982	Australie, Nouvelle-Zélande, Singapour, Malaisie, Thaïlande, Indonésie, Philippines, Viet-Nam, Brunei, Sri Lanka, Bangladesh, Inde, Corée, Hong Kong, Taïwan, République Populaire de Chine	Pièces - 3 ans Main d'oeuvre - 1 an	5
8982	Europe, Moyen-Orient, Afrique	Pièces et main d'oeuvre - 3 ans	7
8983	Australie, Nouvelle-Zélande, Singapour, Malaisie, Thaïlande, Indonésie, Philippines, Viet-Nam, Brunei, Sri Lanka, Bangladesh, Inde, Corée, Hong Kong, Taïwan, République Populaire de Chine	Pièces - 3 ans Main d'oeuvre - 1 an	5

Type de machine	Pays ou Région d'acquisition	Période de garantie	Types de service prévus par la garantie
8983	Europe, Moyen-Orient, Afrique	Pièces et main d'oeuvre - 3 ans	7
8985	Australie, Nouvelle-Zélande, Singapour, Malaisie, Thaïlande, Indonésie, Philippines, Viet-Nam, Brunei, Sri Lanka, Bangladesh, Inde, Corée, Hong Kong, Taïwan, République Populaire de Chine	Pièces - 3 ans Main d'oeuvre - 1 an	5
8985	Europe, Moyen-Orient, Afrique	Pièces et main d'oeuvre - 3 ans	7
8986	Etats-Unis, Angola, Botswana, Burundi, Erythrée, Ethiopie, Ghana, Kenya, Libéria, Malawi, Malte, Mozambique, Nigéria, Rwanda, Sao Tomé, Sierra Leone, Somalie, Tanzanie, Ouganda, Zambie, Zimbabwe, Argentine, Bolivie, Belize, Brésil, Chili, Colombie, Costa Rica, République dominicaine, Equateur, El Salvador, Guatemala, Haïti, Honduras, Mexico, Nicaragua, Panama, Paraguay, Pérou, Uruguay, Venezuela, Brésil, Europe, Moyen-Orient, Afrique, Australie, Nouvelle-Zélande, Singapour, Malaisie, Thaïlande, Indonésie, Philippines, Viet-Nam, Brunei, Sri Lanka, Bangladesh, Corée, Hong Kong, Taïwan, République Populaire de Chine	Pièces et main d'oeuvre - 3 ans	5
8991	Etats-Unis, Angola, Botswana, Burundi, Erythrée, Ethiopie, Ghana, Kenya, Libéria, Malawi, Malte, Mozambique, Nigéria, Rwanda, Sao Tomé, Sierra Leone, Somalie, Tanzanie, Ouganda, Zambie, Zimbabwe, Argentine, Bolivie, Belize, Brésil, Chili, Colombie, Costa Rica, République dominicaine, Equateur, El Salvador, Guatemala, Haïti, Honduras, Mexico, Nicaragua, Panama, Paraguay, Pérou, Uruguay, Venezuela, Brésil, Europe, Moyen-Orient, Afrique, Australie, Nouvelle-Zélande, Singapour, Malaisie, Thaïlande, Indonésie, Philippines, Viet-Nam, Brunei, Sri Lanka, Bangladesh, Corée, Hong Kong, Taïwan, République Populaire de Chine	Pièces et main d'oeuvre - 3 ans	5

Type de machine	Pays ou Région d'acquisition	Période de garantie	Types de service prévus par la garantie
8992	Etats-Unis, Angola, Botswana, Burundi, Erythrée, Ethiopie, Ghana, Kenya, Libéria, Malawi, Malte, Mozambique, Nigéria, Rwanda, Sao Tomé, Sierra Leone, Somalie, Tanzanie, Ouganda, Zambie, Zimbabwe, Argentine, Bolivie, Belize, Brésil, Chili, Colombie, Costa Rica, République dominicaine, Equateur, El Salvador, Guatemala, Haïti, Honduras, Mexico, Nicaragua, Panama, Paraguay, Pérou, Uruguay, Venezuela, Brésil, Europe, Moyen-Orient, Afrique, Australie, Nouvelle-Zélande, Singapour, Malaisie, Thaïlande, Indonésie, Philippines, Viet-Nam, Brunei, Sri Lanka, Bangladesh, Corée, Hong Kong, Taïwan, République Populaire de Chine	Pièces et main d'oeuvre - 3 ans	5
8994	Etats-Unis, Angola, Botswana, Burundi, Erythrée, Ethiopie, Ghana, Kenya, Libéria, Malawi, Malte, Mozambique, Nigéria, Rwanda, Sao Tomé, Sierra Leone, Somalie, Tanzanie, Ouganda, Zambie, Zimbabwe, Argentine, Bolivie, Belize, Brésil, Chili, Colombie, Costa Rica, République dominicaine, Equateur, El Salvador, Guatemala, Haïti, Honduras, Mexico, Nicaragua, Panama, Paraguay, Pérou, Uruguay, Venezuela, Brésil, Europe, Moyen-Orient, Afrique, Australie, Nouvelle-Zélande, Singapour, Malaisie, Thaïlande, Indonésie, Philippines, Viet-Nam, Brunei, Sri Lanka, Bangladesh, Corée, Hong Kong, Taïwan, République Populaire de Chine	Pièces et main d'oeuvre - 3 ans	5
8995	Etats-Unis, Angola, Botswana, Burundi, Erythrée, Ethiopie, Ghana, Kenya, Libéria, Malawi, Malte, Mozambique, Nigéria, Rwanda, Sao Tomé, Sierra Leone, Somalie, Tanzanie, Ouganda, Zambie, Zimbabwe, Argentine, Bolivie, Belize, Brésil, Chili, Colombie, Costa Rica, République dominicaine, Equateur, El Salvador, Guatemala, Haïti, Honduras, Mexico, Nicaragua, Panama, Paraguay, Pérou, Uruguay, Venezuela, Brésil, Europe, Moyen-Orient, Afrique, Australie, Nouvelle-Zélande, Singapour, Malaisie, Thaïlande, Indonésie, Philippines, Viet-Nam, Brunei, Sri Lanka, Bangladesh, Corée, Hong Kong, Taïwan, République Populaire de Chine	Pièces et main d'oeuvre - 3 ans	5

Type de machine	Pays ou Région d'acquisition	Période de garantie	Types de service prévus par la garantie
9265	Etats-Unis, Angola, Botswana, Burundi, Erythrée, Ethiopie, Ghana, Kenya, Libéria, Malawi, Malte, Mozambique, Nigéria, Rwanda, Sao Tomé, Sierra Leone, Somalie, Tanzanie, Ouganda, Zambie, Zimbabwe, Argentine, Bolivie, Belize, Brésil, Chili, Colombie, Costa Rica, République dominicaine, Equateur, El Salvador, Guatemala, Haïti, Honduras, Mexico, Nicaragua, Panama, Paraguay, Pérou, Uruguay, Venezuela, Brésil, Europe, Moyen-Orient, Afrique, Australie, Nouvelle-Zélande, Singapour, Malaisie, Thaïlande, Indonésie, Philippines, Viet-Nam, Brunei, Sri Lanka, Bangladesh, Corée, Hong Kong, Taïwan, République Populaire de Chine	Pièces et main d'oeuvre - 3 ans	5
9266	Etats-Unis, Angola, Botswana, Burundi, Erythrée, Ethiopie, Ghana, Kenya, Libéria, Malawi, Malte, Mozambique, Nigéria, Rwanda, Sao Tomé, Sierra Leone, Somalie, Tanzanie, Ouganda, Zambie, Zimbabwe, Argentine, Bolivie, Belize, Brésil, Chili, Colombie, Costa Rica, République dominicaine, Equateur, El Salvador, Guatemala, Haïti, Honduras, Mexico, Nicaragua, Panama, Paraguay, Pérou, Uruguay, Venezuela, Brésil, Europe, Moyen-Orient, Afrique, Australie, Nouvelle-Zélande, Singapour, Malaisie, Thaïlande, Indonésie, Philippines, Viet-Nam, Brunei, Sri Lanka, Bangladesh, Inde, Corée, Hong Kong, Taïwan	Pièces et main d'oeuvre - 1 an	5
9266	Japon	Pièces et main d'oeuvre - 1 an	6
9269	Etats-Unis, Angola, Botswana, Burundi, Erythrée, Ethiopie, Ghana, Kenya, Libéria, Malawi, Malte, Mozambique, Nigéria, Rwanda, Sao Tomé, Sierra Leone, Somalie, Tanzanie, Ouganda, Zambie, Zimbabwe, Argentine, Bolivie, Belize, Brésil, Chili, Colombie, Costa Rica, République dominicaine, Equateur, El Salvador, Guatemala, Haïti, Honduras, Mexico, Nicaragua, Panama, Paraguay, Pérou, Uruguay, Venezuela, Brésil, Europe, Moyen-Orient, Afrique, Australie, Nouvelle-Zélande, Singapour, Malaisie, Thaïlande, Indonésie, Philippines, Viet-Nam, Brunei, Sri Lanka, Bangladesh, Inde, Corée, Hong Kong, Taïwan	Pièces et main d'oeuvre - 1 an	5

Type de machine	Pays ou Région d'acquisition	Période de garantie	Types de service prévus par la garantie
9269	Japon	Pièces et main d'oeuvre - 1 an	6
9276	Etats-Unis, Angola, Botswana, Burundi, Erythrée, Ethiopie, Ghana, Kenya, Libéria, Malawi, Malte, Mozambique, Nigéria, Rwanda, Sao Tomé, Sierra Leone, Somalie, Tanzanie, Ouganda, Zambie, Zimbabwe, Argentine, Bolivie, Belize, Brésil, Chili, Colombie, Costa Rica, République dominicaine, Equateur, El Salvador, Guatemala, Haïti, Honduras, Mexico, Nicaragua, Panama, Paraguay, Pérou, Uruguay, Venezuela, Brésil, Europe, Moyen-Orient, Afrique, Australie, Nouvelle-Zélande, Singapour, Malaisie, Thaïlande, Indonésie, Philippines, Viet-Nam, Brunei, Sri Lanka, Bangladesh, Inde, Corée, Hong Kong, Taïwan	Pièces et main d'oeuvre - 1 an	5
9276	Japon	Pièces et main d'oeuvre - 1 an	6
9277	Etats-Unis, Angola, Botswana, Burundi, Erythrée, Ethiopie, Ghana, Kenya, Libéria, Malawi, Malte, Mozambique, Nigéria, Rwanda, Sao Tomé, Sierra Leone, Somalie, Tanzanie, Ouganda, Zambie, Zimbabwe, Argentine, Bolivie, Belize, Brésil, Chili, Colombie, Costa Rica, République dominicaine, Equateur, El Salvador, Guatemala, Haïti, Honduras, Mexico, Nicaragua, Panama, Paraguay, Pérou, Uruguay, Venezuela, Brésil, Europe, Moyen-Orient, Afrique, Australie, Nouvelle-Zélande, Singapour, Malaisie, Thaïlande, Indonésie, Philippines, Viet-Nam, Brunei, Sri Lanka, Bangladesh, Inde, Corée, Hong Kong, Taïwan	Pièces et main d'oeuvre - 1 an	5
9277	Japon	Pièces et main d'oeuvre - 1 an	6

Type de machine	Pays ou Région d'acquisition	Période de garantie	Types de service prévus par la garantie
9278	Etats-Unis, Angola, Botswana, Burundi, Erythrée, Ethiopie, Ghana, Kenya, Libéria, Malawi, Malte, Mozambique, Nigéria, Rwanda, Sao Tomé, Sierra Leone, Somalie, Tanzanie, Ouganda, Zambie, Zimbabwe, Argentine, Bolivie, Belize, Brésil, Chili, Colombie, Costa Rica, République dominicaine, Equateur, El Salvador, Guatemala, Haïti, Honduras, Mexico, Nicaragua, Panama, Paraguay, Pérou, Uruguay, Venezuela, Brésil, Europe, Moyen-Orient, Afrique, Australie, Nouvelle-Zélande, Singapour, Malaisie, Thaïlande, Indonésie, Philippines, Viet-Nam, Brunei, Sri Lanka, Bangladesh, Inde, Corée, Hong Kong, Taiwan	Pièces et main d'oeuvre - 1 an	5
9278	Japon	Pièces et main d'oeuvre - 1 an	6
9279	Etats-Unis, Angola, Botswana, Burundi, Erythrée, Ethiopie, Ghana, Kenya, Libéria, Malawi, Malte, Mozambique, Nigéria, Rwanda, Sao Tomé, Sierra Leone, Somalie, Tanzanie, Ouganda, Zambie, Zimbabwe, Argentine, Bolivie, Belize, Brésil, Chili, Colombie, Costa Rica, République dominicaine, Equateur, El Salvador, Guatemala, Haïti, Honduras, Mexico, Nicaragua, Panama, Paraguay, Pérou, Uruguay, Venezuela, Brésil, Europe, Moyen-Orient, Afrique, Australie, Nouvelle-Zélande, Singapour, Malaisie, Thaïlande, Indonésie, Philippines, Viet-Nam, Brunei, Sri Lanka, Bangladesh, Inde, Corée, Hong Kong, Taiwan	Pièces et main d'oeuvre - 1 an	5
9279	Japon	Pièces et main d'oeuvre - 1 an	6
9282	Argentine, Bolivie, Belize, Brésil, Chili, Colombie, Costa Rica, République dominicaine, Equateur, El Salvador, Guatemala, Haïti, Honduras, Mexique, Nicaragua, Panama, Paraguay, Pérou, Uruguay, Venezuela, Brésil, Europe, Moyen-Orient, Afrique	Pièces et main d'oeuvre - 1 an	7

Type de machine	Pays ou Région d'acquisition	Période de garantie	Types de service prévus par la garantie
9283	Argentine, Bolivie, Belize, Brésil, Chili, Colombie, Costa Rica, République dominicaine, Equateur, El Salvador, Guatemala, Haïti, Honduras, Mexique, Nicaragua, Panama, Paraguay, Pérou, Uruguay, Venezuela, Brésil, Europe, Moyen-Orient, Afrique	Pièces et main d'oeuvre - 1 an	7
9286	Argentine, Bolivie, Belize, Brésil, Chili, Colombie, Costa Rica, République dominicaine, Equateur, El Salvador, Guatemala, Haïti, Honduras, Mexique, Nicaragua, Panama, Paraguay, Pérou, Uruguay, Venezuela, Brésil, Europe, Moyen-Orient, Afrique	Pièces et main d'oeuvre - 1 an	7
9287	Argentine, Bolivie, Belize, Brésil, Chili, Colombie, Costa Rica, République dominicaine, Equateur, El Salvador, Guatemala, Haïti, Honduras, Mexique, Nicaragua, Panama, Paraguay, Pérou, Uruguay, Venezuela, Brésil, Europe, Moyen-Orient, Afrique	Pièces et main d'oeuvre - 1 an	7
9288	Argentine, Bolivie, Belize, Brésil, Chili, Colombie, Costa Rica, République dominicaine, Equateur, El Salvador, Guatemala, Haïti, Honduras, Mexique, Nicaragua, Panama, Paraguay, Pérou, Uruguay, Venezuela, Brésil, Europe, Moyen-Orient, Afrique	Pièces et main d'oeuvre - 1 an	7
9374	Australie, Nouvelle-Zélande, Singapour, Malaisie, Thaïlande, Indonésie, Philippines, Viet-Nam, Brunei, Sri Lanka, Bangladesh, Inde, Corée, Hong Kong, Taïwan, République Populaire de Chine	Pièces - 3 ans Main d'oeuvre - 1 an	5
9374	Europe, Moyen-Orient, Afrique	Pièces et main d'oeuvre - 3 ans	7
9378	Australie, Nouvelle-Zélande, Singapour, Malaisie, Thaïlande, Indonésie, Philippines, Viet-Nam, Brunei, Sri Lanka, Bangladesh, Inde, Corée, Hong Kong, Taïwan, République Populaire de Chine	Pièces - 3 ans Main d'oeuvre - 1 an	5
9378	Europe, Moyen-Orient, Afrique	Pièces et main d'oeuvre - 3 ans	7
9379	Argentine, Bolivie, Belize, Brésil, Chili, Colombie, Costa Rica, République dominicaine, Equateur, El Salvador, Guatemala, Haïti, Honduras, Mexique, Nicaragua, Panama, Paraguay, Pérou, Uruguay, Venezuela, Brésil, Europe, Moyen-Orient, Afrique	Pièces et main d'oeuvre - 1 an	7

Type de machine	Pays ou Région d'acquisition	Période de garantie	Types de service prévus par la garantie
9380	Australie, Nouvelle-Zélande, Singapour, Malaisie, Thaïlande, Indonésie, Philippines, Viet-Nam, Brunei, Sri Lanka, Bangladesh, Inde, Corée, Hong Kong, Taïwan, République Populaire de Chine	Pièces - 3 ans Main d'oeuvre - 1 an	5
9380	Europe, Moyen-Orient, Afrique	Pièces et main d'oeuvre - 3 ans	7
9383	Australie, Nouvelle-Zélande, Singapour, Malaisie, Thaïlande, Indonésie, Philippines, Viet-Nam, Brunei, Sri Lanka, Bangladesh, Inde, Corée, Hong Kong, Taïwan, République Populaire de Chine	Pièces - 3 ans Main d'oeuvre - 1 an	5
9383	Europe, Moyen-Orient, Afrique	Pièces et main d'oeuvre - 3 ans	7
9384	Etats-Unis, Angola, Botswana, Burundi, Erythrée, Ethiopie, Ghana, Kenya, Libéria, Malawi, Malte, Mozambique, Nigéria, Rwanda, Sao Tomé, Sierra Leone, Somalie, Tanzanie, Ouganda, Zambie, Zimbabwe, Argentine, Bolivie, Belize, Brésil, Chili, Colombie, Costa Rica, République dominicaine, Equateur, El Salvador, Guatemala, Haïti, Honduras, Mexico, Nicaragua, Panama, Paraguay, Pérou, Uruguay, Venezuela, Brésil, Europe, Moyen-Orient, Afrique, Australie, Nouvelle-Zélande, Singapour, Malaisie, Thaïlande, Indonésie, Philippines, Viet-Nam, Brunei, Sri Lanka, Bangladesh, Inde, Corée, Hong Kong, Taïwan, République Populaire de Chine	Pièces et main d'oeuvre - 3 ans	5
9387	Australie, Nouvelle-Zélande, Singapour, Malaisie, Thaïlande, Indonésie, Philippines, Viet-Nam, Brunei, Sri Lanka, Bangladesh, Inde, Corée, Hong Kong, Taïwan, République Populaire de Chine	Pièces - 3 ans Main d'oeuvre - 1 an	5
9387	Europe, Moyen-Orient, Afrique	Pièces et main d'oeuvre - 3 ans	7

Type de machine	Pays ou Région d'acquisition	Période de garantie	Types de service prévus par la garantie
9389	Australie, Nouvelle-Zélande, Singapour, Malaisie, Thaïlande, Indonésie, Philippines, Viet-Nam, Brunei, Sri Lanka, Bangladesh, Inde, Corée, Hong Kong, Taïwan, République Populaire de Chine	Pièces - 3 ans Main d'oeuvre - 1 an	5
9389	Europe, Moyen-Orient, Afrique	Pièces et main d'oeuvre - 3 ans	7
9628	Etats-Unis, Angola, Botswana, Burundi, Erythrée, Ethiopie, Ghana, Kenya, Libéria, Malawi, Malte, Mozambique, Nigéria, Rwanda, Sao Tomé, Sierra Leone, Somalie, Tanzanie, Ouganda, Zambie, Zimbabwe, Argentine, Bolivie, Belize, Brésil, Chili, Colombie, Costa Rica, République dominicaine, Equateur, El Salvador, Guatemala, Haïti, Honduras, Mexico, Nicaragua, Panama, Paraguay, Pérou, Uruguay, Venezuela, Brésil, Europe, Moyen-Orient, Afrique, Australie, Nouvelle-Zélande, Singapour, Malaisie, Thaïlande, Indonésie, Philippines, Viet-Nam, Brunei, Sri Lanka, Bangladesh, Inde, Corée, Hong Kong, Taïwan, République Populaire de Chine	Pièces et main d'oeuvre - 3 ans	5
9631	Etats-Unis, Angola, Botswana, Burundi, Erythrée, Ethiopie, Ghana, Kenya, Libéria, Malawi, Malte, Mozambique, Nigéria, Rwanda, Sao Tomé, Sierra Leone, Somalie, Tanzanie, Ouganda, Zambie, Zimbabwe, Argentine, Bolivie, Belize, Brésil, Chili, Colombie, Costa Rica, République dominicaine, Equateur, El Salvador, Guatemala, Haïti, Honduras, Mexico, Nicaragua, Panama, Paraguay, Pérou, Uruguay, Venezuela, Brésil, Europe, Moyen-Orient, Afrique, Australie, Nouvelle-Zélande, Singapour, Malaisie, Thaïlande, Indonésie, Philippines, Viet-Nam, Brunei, Sri Lanka, Bangladesh, Inde, Corée, Hong Kong, Taïwan, République Populaire de Chine	Pièces et main d'oeuvre - 3 ans	5

Type de machine	Pays ou Région d'acquisition	Période de garantie	Types de service prévus par la garantie
9632	Etats-Unis, Angola, Botswana, Burundi, Erythrée, Ethiopie, Ghana, Kenya, Libéria, Malawi, Malte, Mozambique, Nigéria, Rwanda, Sao Tomé, Sierra Leone, Somalie, Tanzanie, Ouganda, Zambie, Zimbabwe, Argentine, Bolivie, Belize, Brésil, Chili, Colombie, Costa Rica, République dominicaine, Equateur, El Salvador, Guatemala, Haïti, Honduras, Mexico, Nicaragua, Panama, Paraguay, Pérou, Uruguay, Venezuela, Brésil, Europe, Moyen-Orient, Afrique, Australie, Nouvelle-Zélande, Singapour, Malaisie, Thaïlande, Indonésie, Philippines, Viet-Nam, Brunei, Sri Lanka, Bangladesh, Inde, Corée, Hong Kong, Taïwan, République Populaire de Chine	Pièces et main d'oeuvre - 3 ans	5
9635	Etats-Unis, Angola, Botswana, Burundi, Erythrée, Ethiopie, Ghana, Kenya, Libéria, Malawi, Malte, Mozambique, Nigéria, Rwanda, Sao Tomé, Sierra Leone, Somalie, Tanzanie, Ouganda, Zambie, Zimbabwe, Argentine, Bolivie, Belize, Brésil, Chili, Colombie, Costa Rica, République dominicaine, Equateur, El Salvador, Guatemala, Haïti, Honduras, Mexico, Nicaragua, Panama, Paraguay, Pérou, Uruguay, Venezuela, Brésil, Europe, Moyen-Orient, Afrique, Australie, Nouvelle-Zélande, Singapour, Malaisie, Thaïlande, Indonésie, Philippines, Viet-Nam, Brunei, Sri Lanka, Bangladesh, Inde, Corée, Hong Kong, Taïwan, République Populaire de Chine	Pièces et main d'oeuvre - 3 ans	5
9636	Etats-Unis, Angola, Botswana, Burundi, Erythrée, Ethiopie, Ghana, Kenya, Libéria, Malawi, Malte, Mozambique, Nigéria, Rwanda, Sao Tomé, Sierra Leone, Somalie, Tanzanie, Ouganda, Zambie, Zimbabwe, Argentine, Bolivie, Belize, Brésil, Chili, Colombie, Costa Rica, République dominicaine, Equateur, El Salvador, Guatemala, Haïti, Honduras, Mexico, Nicaragua, Panama, Paraguay, Pérou, Uruguay, Venezuela, Brésil, Europe, Moyen-Orient, Afrique, Australie, Nouvelle-Zélande, Singapour, Malaisie, Thaïlande, Indonésie, Philippines, Viet-Nam, Brunei, Sri Lanka, Bangladesh, Inde, Corée, Hong Kong, Taïwan, République Populaire de Chine	Pièces et main d'oeuvre - 1 an	5
9636	Japon	Pièces et main d'oeuvre - 1 an	6

Type de machine	Pays ou Région d'acquisition	Période de garantie	Types de service prévus par la garantie
9637	Etats-Unis, Angola, Botswana, Burundi, Erythrée, Ethiopie, Ghana, Kenya, Libéria, Malawi, Malte, Mozambique, Nigéria, Rwanda, Sao Tomé, Sierra Leone, Somalie, Tanzanie, Ouganda, Zambie, Zimbabwe, Argentine, Bolivie, Belize, Brésil, Chili, Colombie, Costa Rica, République dominicaine, Equateur, El Salvador, Guatemala, Haïti, Honduras, Mexico, Nicaragua, Panama, Paraguay, Pérou, Uruguay, Venezuela, Brésil, Europe, Moyen-Orient, Afrique, Australie, Nouvelle-Zélande, Singapour, Malaisie, Thaïlande, Indonésie, Philippines, Viet-Nam, Brunei, Sri Lanka, Bangladesh, Inde, Corée, Hong Kong, Taïwan, République Populaire de Chine	Pièces et main d'oeuvre - 3 ans	5
9638	Europe, Moyen-Orient, Afrique	Pièces et main d'oeuvre - 1 an	7
9640	Australie, Nouvelle-Zélande, Singapour, Malaisie, Thaïlande, Indonésie, Philippines, Viet-Nam, Brunei, Sri Lanka, Bangladesh, Inde, Corée, Hong Kong, Taïwan, République Populaire de Chine	Pièces - 3 ans Main d'oeuvre - 1 an	5
9640	Europe, Moyen-Orient, Afrique	Pièces et main d'oeuvre - 3 ans	7
9641	Etats-Unis, Angola, Botswana, Burundi, Erythrée, Ethiopie, Ghana, Kenya, Libéria, Malawi, Malte, Mozambique, Nigéria, Rwanda, Sao Tomé, Sierra Leone, Somalie, Tanzanie, Ouganda, Zambie, Zimbabwe, Argentine, Bolivie, Belize, Brésil, Chili, Colombie, Costa Rica, République dominicaine, Equateur, El Salvador, Guatemala, Haïti, Honduras, Mexico, Nicaragua, Panama, Paraguay, Pérou, Uruguay, Venezuela, Brésil, Europe, Moyen-Orient, Afrique, Australie, Nouvelle-Zélande, Singapour, Malaisie, Thaïlande, Indonésie, Philippines, Viet-Nam, Brunei, Sri Lanka, Bangladesh, Corée, Hong Kong, Taïwan, République Populaire de Chine	Pièces et main d'oeuvre - 3 ans	5

Type de machine	Pays ou Région d'acquisition	Période de garantie	Types de service prévus par la garantie
9642	Etats-Unis, Angola, Botswana, Burundi, Erythrée, Ethiopie, Ghana, Kenya, Libéria, Malawi, Malte, Mozambique, Nigéria, Rwanda, Sao Tomé, Sierra Leone, Somalie, Tanzanie, Ouganda, Zambie, Zimbabwe, Argentine, Bolivie, Belize, Brésil, Chili, Colombie, Costa Rica, République dominicaine, Equateur, El Salvador, Guatemala, Haïti, Honduras, Mexico, Nicaragua, Panama, Paraguay, Pérou, Uruguay, Venezuela, Brésil, Europe, Moyen-Orient, Afrique, Australie, Nouvelle-Zélande, Singapour, Malaisie, Thaïlande, Indonésie, Philippines, Viet-Nam, Brunei, Sri Lanka, Bangladesh, Inde, Corée, Hong Kong, Taiwan	Pièces et main d'oeuvre - 1 an	5
9642	Japon	Pièces et main d'oeuvre - 1 an	6
9643	Argentine, Bolivie, Belize, Brésil, Chili, Colombie, Costa Rica, République dominicaine, Equateur, El Salvador, Guatemala, Haïti, Honduras, Mexique, Nicaragua, Panama, Paraguay, Pérou, Uruguay, Venezuela, Brésil, Europe, Moyen-Orient, Afrique	Pièces et main d'oeuvre - 1 an	7
9644	Australie, Nouvelle-Zélande, Singapour, Malaisie, Thaïlande, Indonésie, Philippines, Viet-Nam, Brunei, Sri Lanka, Bangladesh, Inde, Corée, Hong Kong, Taiwan, République Populaire de Chine	Pièces - 3 ans Main d'oeuvre - 1 an	5
9644	Europe, Moyen-Orient, Afrique	Pièces et main d'oeuvre - 3 ans	7

Type de machine	Pays ou Région d'acquisition	Période de garantie	Types de service prévus par la garantie
9645	Etats-Unis, Angola, Botswana, Burundi, Erythrée, Ethiopie, Ghana, Kenya, Libéria, Malawi, Malte, Mozambique, Nigéria, Rwanda, Sao Tomé, Sierra Leone, Somalie, Tanzanie, Ouganda, Zambie, Zimbabwe, Argentine, Bolivie, Belize, Brésil, Chili, Colombie, Costa Rica, République dominicaine, Equateur, El Salvador, Guatemala, Haïti, Honduras, Mexico, Nicaragua, Panama, Paraguay, Pérou, Uruguay, Venezuela, Brésil, Europe, Moyen-Orient, Afrique, Australie, Nouvelle-Zélande, Singapour, Malaisie, Thaïlande, Indonésie, Philippines, Viet-Nam, Brunei, Sri Lanka, Bangladesh, Inde, Corée, Hong Kong, Taïwan, République Populaire de Chine	Pièces et main d'oeuvre - 3 ans	5
9646	Etats-Unis, Angola, Botswana, Burundi, Erythrée, Ethiopie, Ghana, Kenya, Libéria, Malawi, Malte, Mozambique, Nigéria, Rwanda, Sao Tomé, Sierra Leone, Somalie, Tanzanie, Ouganda, Zambie, Zimbabwe, Argentine, Bolivie, Belize, Brésil, Chili, Colombie, Costa Rica, République dominicaine, Equateur, El Salvador, Guatemala, Haïti, Honduras, Mexico, Nicaragua, Panama, Paraguay, Pérou, Uruguay, Venezuela, Brésil, Europe, Moyen-Orient, Afrique, Australie, Nouvelle-Zélande, Singapour, Malaisie, Thaïlande, Indonésie, Philippines, Viet-Nam, Brunei, Sri Lanka, Bangladesh, Inde, Corée, Hong Kong, Taïwan, République Populaire de Chine, Japon	Pièces et main d'oeuvre - 4 ans	5
9647	Etats-Unis, Angola, Botswana, Burundi, Erythrée, Ethiopie, Ghana, Kenya, Libéria, Malawi, Malte, Mozambique, Nigéria, Rwanda, Sao Tomé, Sierra Leone, Somalie, Tanzanie, Ouganda, Zambie, Zimbabwe, Argentine, Bolivie, Belize, Brésil, Chili, Colombie, Costa Rica, République dominicaine, Equateur, El Salvador, Guatemala, Haïti, Honduras, Mexico, Nicaragua, Panama, Paraguay, Pérou, Uruguay, Venezuela, Brésil, Europe, Moyen-Orient, Afrique, Australie, Nouvelle-Zélande, Singapour, Malaisie, Thaïlande, Indonésie, Philippines, Viet-Nam, Brunei, Sri Lanka, Bangladesh, Inde, Corée, Hong Kong, Taïwan, République Populaire de Chine, Japon	Pièces et main d'oeuvre - 4 ans	5

Type de machine	Pays ou Région d'acquisition	Période de garantie	Types de service prévus par la garantie
9648	Etats-Unis, Angola, Botswana, Burundi, Erythrée, Ethiopie, Ghana, Kenya, Libéria, Malawi, Malte, Mozambique, Nigéria, Rwanda, Sao Tomé, Sierra Leone, Somalie, Tanzanie, Ouganda, Zambie, Zimbabwe, Argentine, Bolivie, Belize, Brésil, Chili, Colombie, Costa Rica, République dominicaine, Equateur, El Salvador, Guatemala, Haïti, Honduras, Mexico, Nicaragua, Panama, Paraguay, Pérou, Uruguay, Venezuela, Brésil, Europe, Moyen-Orient, Afrique, Australie, Nouvelle-Zélande, Singapour, Malaisie, Thaïlande, Indonésie, Philippines, Viet-Nam, Brunei, Sri Lanka, Bangladesh, Inde, Corée, Hong Kong, Taïwan, République Populaire de Chine, Japon	Pièces et main d'oeuvre - 4 ans	5
9649	Etats-Unis, Angola, Botswana, Burundi, Erythrée, Ethiopie, Ghana, Kenya, Libéria, Malawi, Malte, Mozambique, Nigéria, Rwanda, Sao Tomé, Sierra Leone, Somalie, Tanzanie, Ouganda, Zambie, Zimbabwe, Argentine, Bolivie, Belize, Brésil, Chili, Colombie, Costa Rica, République dominicaine, Equateur, El Salvador, Guatemala, Haïti, Honduras, Mexico, Nicaragua, Panama, Paraguay, Pérou, Uruguay, Venezuela, Brésil, Europe, Moyen-Orient, Afrique, Australie, Nouvelle-Zélande, Singapour, Malaisie, Thaïlande, Indonésie, Philippines, Viet-Nam, Brunei, Sri Lanka, Bangladesh, Inde, Corée, Hong Kong, Taïwan, République Populaire de Chine, Japon	Pièces et main d'oeuvre - 4 ans	5
9694	Etats-Unis, Angola, Botswana, Burundi, Erythrée, Ethiopie, Ghana, Kenya, Libéria, Malawi, Malte, Mozambique, Nigéria, Rwanda, Sao Tomé, Sierra Leone, Somalie, Tanzanie, Ouganda, Zambie, Zimbabwe, Argentine, Bolivie, Belize, Brésil, Chili, Colombie, Costa Rica, République dominicaine, Equateur, El Salvador, Guatemala, Haïti, Honduras, Mexico, Nicaragua, Panama, Paraguay, Pérou, Uruguay, Venezuela, Brésil, Europe, Moyen-Orient, Afrique, Australie, Nouvelle-Zélande, Singapour, Malaisie, Thaïlande, Indonésie, Philippines, Viet-Nam, Brunei, Sri Lanka, Bangladesh, Inde, Corée, Hong Kong, Taïwan, République Populaire de Chine, Japon	Pièces et main d'oeuvre - 3 ans	5

Type de machine	Pays ou Région d'acquisition	Période de garantie	Types de service prévus par la garantie
9695	Etats-Unis, Angola, Botswana, Burundi, Erythrée, Ethiopie, Ghana, Kenya, Libéria, Malawi, Malte, Mozambique, Nigéria, Rwanda, Sao Tomé, Sierra Leone, Somalie, Tanzanie, Ouganda, Zambie, Zimbabwe, Argentine, Bolivie, Belize, Brésil, Chili, Colombie, Costa Rica, République dominicaine, Equateur, El Salvador, Guatemala, Haïti, Honduras, Mexico, Nicaragua, Panama, Paraguay, Pérou, Uruguay, Venezuela, Brésil, Europe, Moyen-Orient, Afrique, Australie, Nouvelle-Zélande, Singapour, Malaisie, Thaïlande, Indonésie, Philippines, Viet-Nam, Brunei, Sri Lanka, Bangladesh, Inde, Corée, Hong Kong, Taiwan, République Populaire de Chine, Japon	Pièces et main d'oeuvre - 3 ans	5

Types de services prévus par la garantie

Si nécessaire, votre fournisseur de services vous fournira un service de réparation ou de remplacement en fonction du type de service de garantie spécifié pour votre Machine dans le tableau ci-dessus et tel qu'il est décrit ci-après. Le planning du service sera fonction de l'heure de votre appel et sous réserve de la disponibilité des pièces. Les niveaux de service sont des objectifs de temps de réponse et ne sont pas garantis. Il se peut que le niveau de service de garantie spécifié ne soit pas disponible dans tous les sites de par le monde et que des frais supplémentaires s'appliquent lorsque le service n'est pas du ressort habituel de votre fournisseur de services ; pour plus de détails sur les pays et les sites, prenez contact avec le représentant de votre fournisseur de services ou avec votre revendeur.

1. Unité remplaçable par l'utilisateur ("CRU")

Lenovo vous expédiera les CRU que vous installerez. Les CRU de niveau 1 sont faciles à installer, tandis que les CRU de niveau 2 requièrent une certaine expérience technique et des outils. Les informations sur les CRU et les instructions de remplacement sont fournies avec la Machine et sont disponibles auprès de Lenovo à tout moment sur simple demande. Vous pouvez demander à un fournisseur de services d'installer une CRU, sans frais supplémentaire, selon le type de service prévu par la Garantie de votre Machine. Lenovo précise dans les éléments fournis avec une CRU de remplacement si la CRU défectueuse doit lui être renvoyée. Lorsque le retour de l'unité défectueuse est requis, 1) les instructions de retour et un conteneur sont fournis avec la CRU de remplacement, et 2) la CRU de remplacement peut vous être facturée si Lenovo ne reçoit pas la CRU défectueuse dans un délai de 30 jours à compter de la réception de l'unité de remplacement.

2. Service sur site

Votre fournisseur de services réparera ou remplacera la Machine défaillante sur votre site et en vérifiera le fonctionnement. Vous devez mettre à disposition une zone de travail appropriée permettant le démontage et le remontage de la Machine Lenovo. Cette zone doit être propre, correctement éclairée et adaptée aux opérations. En ce qui concerne certaines Machines, il se peut que certaines réparations requièrent l'envoi de la Machine à un centre de maintenance désigné.

3. Service de collecte ou de dépôt *

Vous déconnecterez la Machine défaillante à des fins de collecte organisée par votre fournisseur de services. Il vous sera fourni un conteneur d'expédition pour que vous renvoyiez la Machine à un centre de maintenance désigné. Un transporteur récupérera votre Machine et la livrera au centre de maintenance désigné. A la suite de la réparation ou du remplacement de la Machine, le centre de maintenance organisera la livraison en retour de la Machine à votre site. Vous êtes responsable de l'installation et de la vérification de la Machine.

4. Service de livraison ou d'expédition par le client

Vous livrerez ou expédiez, selon les instructions de votre fournisseur de services (frais de transport payés d'avance, sauf indication contraire), la Machine défaillante que vous conditionnerez de façon appropriée à un site désigné. Le fournisseur de services mettra la Machine réparée ou remplacée à votre disposition à des fins de collecte ou, en cas de service d'expédition, vous renverra la Machine réparée ou remplacée en port payé, sauf indication contraire. Vous êtes responsable de l'installation et de la vérification ultérieures de la Machine.

5. CRU et Service sur site

Ce type de service prévu par la Garantie est une combinaison du Type 1 et du Type 2 (voir ci-avant).

6. CRU et Service de collecte ou de dépôt

Ce type de service prévu par la Garantie est une combinaison du Type 1 et du Type 3 (voir ci-avant).

7. CRU et Service de livraison ou d'expédition par le client

Ce type de service prévu par la Garantie est une combinaison du Type 1 et du Type 4 (voir ci-avant).

Lorsqu'un service prévu par la Garantie de type 5, 6 ou 7 est indiqué, votre fournisseur de services déterminera le type de service prévu par la Garantie approprié pour la réparation.

* Ce type de service est appelé ThinkPad EasyServ ou EasyServ dans certains pays.

Pour obtenir le service prévu par la Garantie, prenez contact avec un fournisseur de services. Au Canada ou aux Etats-Unis, appelez le 1-800-426-7378 (426-7378). Dans les autres pays, reportez-vous au tableau ci-après.

Liste de numéros de téléphone pour le monde entier

Les numéros de téléphone font l'objet de modification sans préavis. La liste est mise à jour sur le site suivant : <http://www.lenovo.com/support/phone>.

Pays ou Région	Numéro de téléphone
Afrique	Afrique : +44 (0)1475-555-055 555 055 Afrique du Sud : +27-11-3028888 et 0800110756 Afrique centrale : Prenez contact avec le partenaire commercial Lenovo le plus proche.
Allemagne	Support Up and running : 07032-15-49201 Support et services prévus par la garantie : 01805-25-35-58 (allemand)
Argentine	0800-666-0011 (espagnol)
Australie	131-426 (anglais)
Autriche	Support Up and running : 01-24592-5901 Support et services prévus par la garantie : 01-211-454-610 (allemand)
Belgique	Support Up and running : 02-210-9820 (néerlandais) Support Up and running : 02-210-9800 (français) Support et services prévus par la garantie : 02-225-3611 (néerlandais, français)
Bolivie	0800-10-0189 (espagnol)
Bésil	Région de Sao Paulo : (11) 3889-8986 En dehors de la région de Sao Paulo : 0800-701-4815 (brésilien)
Canada	Toronto : 416-383-3344 Hors Toronto : 1-800-565-3344 (anglais, français)
Chili	800-361-213 ou 188-800-442-488 Appel gratuit (espagnol)
Chine	86-10-58851110 800-990-8888 (mandarin)

Pays ou Région	Numéro de téléphone
Chine (Région administrative spéciale de Hong Kong)	PC ThinkCentre (commercial) : 8205-0333 8205-0333 PC multimédia (familial) : 800-938-228 (cantonais, anglais, mandarin)
Chine (Région administrative spéciale de Macao)	ThinkCentre (pour toute requête technique) : 0800-336 (cantonais, anglais, mandarin)
Chypre	+357-22-841100
Colombie	1-800-912-3021 (espagnol)
Corée	1588-5801 (Corée)
Costa Rica	0-800-011-1029 (espagnol)
Croatie	0800-0426
Danemark	Support Up and running : 4520-8200 Support et services prévus par la garantie : 7010-5150 (danois)
El Salvador	800-6264 (espagnol)
Equateur	1-800-426911 (espagnol)
Espagne	91-714-7983 0901-100-000 (espagnol)
Estonie	+372 6776793 +372 66 00 800
Etats-Unis	1-800-426-7378 (anglais)
Finlande	Support Up and running : 09-459-6960 Support et services prévus par la garantie : +358-800-1-4260 (finnois)
France	Support Up and running : 02 38 55 74 50 Support et services prévus par la garantie : Matériel : 0810-631-213 Logiciel : 0810-631-020 (français)
Grèce	+30-210-680-1700
Guatemala	1800-624-0051 (espagnol)
Honduras	Tegucigalpa : 232-4222 San Pedro Sula : 552-2234 (espagnol)
Hongrie	+36-1-382-5720

Pays ou Région	Numéro de téléphone
Inde	1800-425-6666 +91-80-2678-8970 (anglais)
Indonésie	800-140-3555 (anglais) 62-21-251-2955 (indonésien)
Irlande	Support Up and running : 01-815-9202 Support et services prévus par la garantie : 01-881-1444 (anglais)
Israël	Service d'assistance de Givat Shmuel : +972-3-531-3900 (hébreu, anglais)
Italie	Support Up and running : 02-7031-6101 Support et services prévus par la garantie : +39-800-820094 (italien)
Japon	Appel gratuit : 0120-20-5550 International : +81-46-266-4716 Lorsque vous appelez les numéros ci-dessus, vous êtes accueilli par un message en japonais. Pour obtenir du support en anglais, attendez la fin du message ; un opérateur vous répondra. Dites "English support please" et votre appel sera transmis à un opérateur parlant anglais. Logiciels pour PC : 0120-558-695 Appels internationaux : +81-44-200-8666 (japonais)
Lettonie	+386-61-1796-699
Lituanie	+386-61-1796-699
Luxembourg	+352-298-977-5063 (français)
Malaisie	1800-88-8558 (anglais, malais)
Malte	+356-23-4175
Mexique	001-866-434-2080 (espagnol)
Moyen Orient	+44 (0)1475-555-055
Nicaragua	001-800-220-1830 (espagnol)
Norvège	Support Up and running : 6681-1100 Support et services prévus par la garantie : 8152-1550 (norvégien)
Nouvelle-Zélande	0800-733-222 (anglais)
Panama	001-866-434-2080 (Appel gratuit) 206-6047 (espagnol)
Pays-Bas	+31-20-514-5770 (néerlandais)

Pays ou Région	Numéro de téléphone
Pérou	0-800-50-866 (espagnol)
Philippines	1800-1888-1426 (anglais) 63-2-995-8420 (filipino)
Pologne	+48-22-878-6999
Portugal	+351-21-892-7147 (portugais)
République dominicaine	1-866-434-2080 (espagnol)
République tchèque	+420-2-7213-1316
Roumanie	+4-021-224-4015
Royaume-Uni	Support Up and running : 01475-555-055 Support prévu par la garantie : 08705-500-900 (anglais)
Russie	+7-495-258-6300 +8-800-200-6300 (russe)
Singapour	1800-3172-888 (anglais, malais)
Slovaquie	+421-2-4954-1217
Slovénie	+386-1-4796-699
Sri Lanka	+9411 2493547 +9411 2493548 (anglais)
Suède	Support Up and running : 08-477-4420 Support et services prévus par la garantie : 077-117-1040 (suédois)
Suisse	Support Up and running : 058-333-0900 Support et services prévus par la garantie : 0800-55-54-54 (allemand, français, italien)
Taiwan	886-2-8723-9799 0800-000-700 (mandarin)
Thaïlande	1-800-299-229 (thaïlandais)
Turquie	00800-4463-2041 (turc)
Uruguay	000-411-005-6649 (espagnol)
Venezuela	0-800-100-2011 (espagnol)
Viet-Nam	Pour les régions du nord et Hanoï : 84-4-843-6675 Pour les régions du sud et Hô-Chi-Minh-Ville : 84-8-829-5160 (anglais, vietnamien)

Annexe à la Garantie pour le Mexique

La présente annexe est considérée comme faisant partie intégrante de la Déclaration de Garantie Lenovo et sera effective uniquement et exclusivement pour les produits distribués et commercialisés au Mexique. En cas de contradiction entre les documents, les dispositions de la présente annexe prévaudront.

Tous les logiciels préchargés sur le matériel auront uniquement une garantie de trente (30) jours pour les incidents d'installation à compter de la date d'achat. Lenovo ne pourra être tenue responsable pour les informations de ces logiciels, ni pour tout logiciel supplémentaire installé par vous-même ou installé après l'achat du produit.

Les services non couverts par la garantie seront facturés à l'utilisateur final, avant autorisation.

Si une réparation couverte par la garantie est requise, appelez le centre de support au 001-866-434-2080, qui vous dirigera vers le centre de maintenance agréé le plus proche. S'il n'existe aucun centre de maintenance agréé dans votre ville, votre zone d'implantation, ni dans un rayon de 70 kilomètres autour de votre ville ou de votre zone d'implantation, la garantie inclut tous les frais de livraison raisonnables liés au transport du produit jusqu'à notre centre de maintenance agréé le plus proche. Veuillez appeler le centre de maintenance agréé le plus proche pour obtenir les approbations et les informations nécessaires concernant l'expédition du produit et l'adresse d'expédition.

Pour obtenir la liste des centres de maintenance agréés, visitez le site suivant : <http://www.lenovo.com/mx/es/servicios>

Fabriqué par :

SCI Systems de México, S.A. de C.V.

Av. De la Solidaridad Iberoamericana No. 7020

Col. Club de Golf Atlas

El Salto, Jalisco, México

C.P. 45680,

Tél : 01-800-3676900

Commercialisé par :
Lenovo de México, Comercialización y
Servicios, S. A. de C. V.
Alfonso Nápoles Gándara No 3111
Parque Corporativo de Peña Blanca
Delegación Álvaro Obregón
México, D.F., México
C.P. 01210,
Tél : 01-800-00-325-00

Chapitre 4. Unités remplaçables par l'utilisateur (CRU)

Les unités remplaçables par l'utilisateur (CRU) sont des composants pouvant être mis à niveau ou remplacés par le client. Il existe deux types de CRU : niveau 1 et niveau 2. Les CRU de niveau 1 sont faciles à installer, tandis que les CRU de niveau 2 requièrent une certaine expérience et des outils.

Les documents *Guide d'utilisation* et *Guide de remplacement d'options matérielles* fournissent des informations pour le remplacement des CRU de niveau 1 et de niveau 2. Reportez-vous au tableau suivant pour déterminer quelle publication contient les instructions dont vous avez besoin.

Pour afficher une publication, ouvrez le menu Démarrer à partir du bureau Windows, puis sélectionnez **Tous les programmes, Online Books** et cliquez sur **Online Books**. Cliquez deux fois sur la publication appropriée pour votre ordinateur. Pour plus d'informations sur l'accès aux documents *Guide d'utilisation* et *Guide de remplacement d'options matérielles*, voir «Dossier Documentation électronique», à la page 101. Ces publications sont également disponibles sur le site Web Lenovo à l'adresse <http://www.lenovo.com>.

Remarque : Utilisez uniquement des composants fournis par Lenovo. Pour obtenir des informations de garantie sur les CRU pour le type de votre machine, voir Chapitre 3, «Déclaration de Garantie Lenovo», à la page 105.

6490, 8700, 8701, 8705, 8717, 8973, 8975, 8979, 8983, 8985, 8991, 8995, 9265, 9269, 9277, 9279, 9283, 9287, 9379, 9383, 9387, 9389, 9631, 9635, 9637, 9646, 9648, 9694		
	Guide d'utilisation	Guide de remplacement d'options matérielles
CRU de niveau 1		
Unité de disque optique	x	x
Unité de disque dur	x	x
Mémoire	x	x
Souris	x	x
Clavier	x	x
Carte	x	x
CRU de niveau 2		
Unité de disquette	x	x
Dissipateur thermique		x
Bloc d'alimentation		x
Ventilateur système		x

6491, 8013, 8702, 8706, 8716, 8970, 8972, 8976, 8980, 8982, 8986, 8992, 8994, 9266, 9276, 9278, 9282, 9286, 9288, 9374, 9378, 9380, 9384, 9628, 9632, 9647, 9649, 9695		
	Guide d'utilisation	Guide de remplacement d'options matérielles
CRU de niveau 1		
Souris	x	x
Clavier	x	x
Carte	x	x
CRU de niveau 2		
Unité de disque optique	x	x
Unité de disque dur	x	x
Unité de disquette	x	x
Mémoire	x	x
Dissipateur thermique		x
Ventilateur système		x

Types de machine : 9636, 9638, 9640, 9641, 9642, 9643, 9644, 9645		
	Guide d'utilisation	Guide de remplacement d'options matérielles
CRU de niveau 1		
Clavier	x	x
Souris	x	x
Unité de disque dur	x	x
Mémoire	x	x
Carte	x	x
Haut-parleur	x	x
Unité de disque optique	x	x
Unité de disquette	x	x
CRU de niveau 2		
Dissipateur thermique		x
Carte mère		x
Bloc d'alimentation		x
Ventilateurs système		x

Chapitre 5. Remarques

Le présent document peut contenir des informations ou des références concernant certains produits, logiciels ou services Lenovo non annoncés dans ce pays. Pour plus de détails, référez-vous aux documents d'annonce disponibles dans votre pays, ou adressez-vous à votre partenaire commercial Lenovo. Toute référence à un produit, logiciel ou service Lenovo n'implique pas que seul ce produit, logiciel ou service puisse être utilisé. Tout autre élément fonctionnellement équivalent peut être utilisé, s'il n'enfreint aucun droit de Lenovo. Il est de la responsabilité de l'utilisateur d'évaluer et de vérifier lui-même les installations et applications réalisées avec des produits, logiciels ou services non expressément référencés par Lenovo.

Lenovo peut détenir des brevets ou des demandes de brevet couvrant les produits mentionnés dans le présent document. La remise de ce document ne vous donne aucun droit de licence sur ces brevets ou demandes de brevet. Si vous désirez recevoir des informations concernant l'acquisition de licences, veuillez en faire la demande par écrit à l'adresse suivante :

*Lenovo (United States), Inc.
1009 Think Place - Building One
Morrisville, NC 27560
Etats-Unis
Attention: Lenovo Director of Licensing*

LE PRESENT DOCUMENT EST LIVRE EN L'ETAT SANS AUCUNE GARANTIE EXPLICITE OU IMPLICITE. LENOVO IBM DECLINE NOTAMMENT TOUTE RESPONSABILITE RELATIVE A CES INFORMATIONS EN CAS DE CONTREFAÇON AINSI QU'EN CAS DE DEFAUT D'APTITUDE A L'EXECUTION D'UN TRAVAIL DONNE. Certaines juridictions n'autorisent pas l'exclusion des garanties implicites, auquel cas l'exclusion ci-dessus ne vous sera pas applicable.

Le présent document peut contenir des inexactitudes ou des coquilles. Il est mis à jour périodiquement. Chaque nouvelle édition inclut les mises à jour. Lenovo peut modifier sans préavis les produits et logiciels décrits dans ce document.

Les produits décrits dans ce document ne sont pas conçus pour être implantés ou utilisés dans un environnement où un dysfonctionnement pourrait entraîner des dommages corporels ou le décès de personnes. Les informations contenues dans ce document n'affectent ni ne modifient les garanties ou les spécifications des produits Lenovo. Rien dans ce document ne doit être considéré comme une licence ou une garantie explicite ou implicite en matière de droits de propriété intellectuelle de Lenovo ou de tiers. Toutes les informations

contenues dans ce document ont été obtenues dans des environnements spécifiques et sont présentées en tant qu'illustration. Les résultats peuvent varier selon l'environnement d'exploitation utilisé.

Lenovo pourra utiliser ou diffuser, de toute manière qu'elle jugera appropriée et sans aucune obligation de sa part, tout ou partie des informations qui lui seront fournies.

Les références à des sites Web non Lenovo sont fournies à titre d'information uniquement et n'impliquent en aucun cas une adhésion aux données qu'ils contiennent. Les éléments figurant sur ces sites Web ne font pas partie des éléments du présent produit Lenovo et l'utilisation de ces sites relève de votre seule responsabilité.

Les données de performance indiquées dans ce document ont été déterminées dans un environnement contrôlé. Par conséquent, les résultats peuvent varier de manière significative selon l'environnement d'exploitation utilisé. Certaines mesures évaluées sur des systèmes en cours de développement ne sont pas garanties sur tous les systèmes disponibles. En outre, elles peuvent résulter d'extrapolations. Les résultats peuvent donc varier. Il incombe aux utilisateurs de ce document de vérifier si ces données sont applicables à leur environnement d'exploitation.

Consigne relative à la sortie télévision

La consigne ci-après s'applique aux modèles dotés en usine d'une sortie télévision.

Ce produit contient une technologie anti-duplication protégée par des brevets américains et autres droits de propriété intellectuelle appartenant à Macrovision Corporation et autres. Cette technologie ne peut être utilisée que pour un usage privé et des usages limités de visualisation. Tout autre visualisation de cette technologie doit recevoir l'accord explicite de Macrovision Corporation. Tout désassemblage et ingénierie inverse sont strictement interdits sauf si la loi vous y autorise expressément nonobstant toute interdiction contractuelle.

Marques

Les termes qui suivent sont des marques de Lenovo aux Etats-Unis et/ou dans certains autres pays :

- Lenovo
- Rescue and Recovery
- ThinkCentre
- ThinkPad
- ThinkVantage

IBM est une marque d'International Business Machines Corporation aux Etats-Unis et/ou dans certains autres pays.

Les autres noms de sociétés, de produits et de services peuvent appartenir à des tiers.

Bruits radioélectriques

Les informations qui suivent concernent les ordinateurs personnels Lenovo des types suivants : 6490, 6491, 8013, 8700, 8701, 8702, 8705, 8706, 8716, 8717, 8970, 8972, 8973, 8975, 8976, 8979, 8980, 8982, 8983, 8985, 8986, 8991, 8992, 8994, 8995, 9265, 9266, 9269, 9276, 9277, 9278, 9279, 9282, 9283, 9286, 9287, 9288, 9374, 9378, 9379, 9380, 9383, 9384, 9387, 9389, 9628, 9631, 9632, 9635, 9636, 9637, 9638, 9640, 9641, 9642, 9643, 9644, 9645, 9646, 9647, 9648, 9649, 9694, 9695.

Déclaration de conformité de la Federal Communications Commission (FCC)

Cet appareil respecte les limites des caractéristiques d'immunité des appareils numériques définies par la classe B, conformément au chapitre 15 de la réglementation de la FCC. La conformité aux spécifications de la classe B offre une garantie acceptable contre les perturbations électromagnétiques dans les zones résidentielles. Ce matériel génère, utilise et peut émettre de l'énergie radiofréquence. Il risque de parasiter les communications radio s'il n'est pas installé conformément aux instructions du constructeur. Toutefois, il n'est pas garanti que des perturbations n'interviendront pas pour une installation particulière. Si cet appareil provoque des perturbations gênantes dans les communications radio ou télévision, mettez-le hors tension puis sous tension pour vous en assurer. L'utilisateur peut tenter de remédier à cet incident en appliquant une ou plusieurs des mesures suivantes :

- Réorienter ou déplacer l'antenne réceptrice.
- Eloigner l'appareil du récepteur.
- Brancher l'appareil sur une prise différente de celle du récepteur, sur un circuit distinct.
- Prendre contact avec un distributeur agréé ou un représentant commercial pour obtenir de l'aide.

Lenovo ne peut pas être tenue pour responsable du brouillage des réceptions radio ou télévision résultant de l'utilisation de câbles ou connecteurs inadaptés ou de modifications non autorisées apportées à cet appareil. Toute modification non autorisée pourra annuler le droit d'utilisation de cet appareil.

Cet appareil est conforme aux restrictions définies dans le chapitre 15 de la réglementation de la FCC. Son utilisation est soumise aux deux conditions suivantes : (1) il ne peut pas causer de perturbations électromagnétiques

gênantes et (2) il doit accepter toutes les perturbations reçues, y compris celles susceptibles d'occasionner un fonctionnement indésirable.

Partie compétente :

Lenovo (United States) Inc.
One Manhattanville Road
Purchase, New York 10577
Téléphone : (919) 254-5900



Tested To Comply
With FCC Standards

FOR HOME OR OFFICE USE

Avis de conformité à la réglementation d'Industrie Canada pour la classe B

Cet appareil numérique de la classe B est conforme à la norme NMB-003 du Canada.

Avis de conformité à la directive de l'Union Européenne

Le présent produit satisfait aux exigences de protection énoncées dans la directive 89/336/CEE du Conseil concernant le rapprochement des législations des Etats membres relatives à la compatibilité électromagnétique. Lenovo décline toute responsabilité en cas de non-respect de cette directive résultant d'une modification non recommandée du produit, y compris l'ajout de cartes en option non Lenovo.

Ce produit respecte les limites des caractéristiques d'immunité des appareils de traitement de l'information définies par la classe B de la norme européenne EN 55022 (CISPR 22). La conformité aux spécifications de la classe B offre une garantie acceptable contre les perturbations avec les appareils de communication agréés, dans les zones résidentielles.

Corée - Avis de conformité pour la classe B

이 기기는 가정용으로 전자파 적합등록을 한 기기로서
주거지역에서는 물론 모든 지역에서 사용할 수 있습니다.

Japon - Avis de conformité aux exigences du Voluntary Control Council for Interference (VCCI) pour la classe B

この装置は、情報処理装置等電波障害自主規制協議会（VCCI）の基準に基づくクラスB情報技術装置です。この装置は、家庭環境で使用することを目的としていますが、この装置がラジオやテレビジョン受信機に近接して使用されると、受信障害を引き起こすことがあります。
取扱説明書に従って正しい取り扱いをして下さい。

Avis de conformité aux normes japonaises pour les produits dont l'intensité est inférieure ou égale à 20 A par phase

高調波電流規格 JIS C 61000-3-2 適合品

Taiwan - Informations de maintenance pour les produits Lenovo

台灣 Lenovo 產品服務資訊如下：
荷蘭商思惟電腦產品股份有限公司台灣分公司
台北市信義區信義路五段七號十九樓之一
服務電話：0800-000-700

Recommandations de la Federal Communications Commission (FCC) et des entreprises de télécommunications [Etats Unis]

1. Cet appareil est conforme aux restrictions définies dans le chapitre 68 de la réglementation de la FCC. Une étiquette est apposée sur le dispositif qui contient, entre autres, le numéro d'enregistrement FCC, le numéro USOC et l'équivalent sonnerie relatifs à cet appareil. Si ces numéros sont requis, fournissez-les à votre entreprise de télécommunications.

Remarque : Si le dispositif est un modem interne, une seconde étiquette d'enregistrement FCC est également fournie. Vous pouvez fixer cette étiquette à l'extérieur de l'ordinateur dans lequel le modem Lenovo est installé, ou le cas échéant, au dispositif externe d'accès au réseau (DAA).

Placez l'étiquette dans un endroit facilement accessible, au cas où vous auriez besoin de communiquer à votre entreprise de télécommunications les informations qui y sont contenues.

2. L'équivalent sonnerie (REN) permet de déterminer le nombre de dispositifs que vous pouvez raccorder à votre ligne téléphonique et qui continueront à sonner lorsque votre numéro est appelé. Dans presque la plupart des zones, la somme de tous les équivalents sonnerie de tous les dispositifs ne doit pas excéder cinq (5). Pour connaître le nombre de dispositifs que vous pouvez raccorder à votre ligne et le nombre maximal d'équivalents sonnerie pour votre zone d'appel, adressez-vous à votre entreprise de télécommunications.
3. Si le dispositif endommage le réseau téléphonique, l'entreprise de télécommunications peut temporairement interrompre votre service. Si possible, vous serez averti à l'avance. Sinon, vous serez informé dès que possible. Vous serez également informé de vos droits en matière de recours auprès de la FCC.
4. Votre entreprise de télécommunications peut apporter des modifications à ses installations, son équipement, son fonctionnement ou ses procédures, qui risquent d'affecter le bon fonctionnement de votre appareil. Si tel est le cas, vous serez informé à l'avance de façon à ce que votre activité ne s'en ressente pas.
5. Si vous rencontrez des difficultés lors de l'utilisation de ce produit, prenez contact avec votre revendeur agréé ou appelez le centre de support. Aux Etats-Unis, appelez le **1-800-426-7378**. Au Canada, appelez le **1-800-565-3344**. Vous pouvez être amené à fournir la preuve d'achat.
L'entreprise de télécommunications peut vous demander de débrancher le dispositif du réseau tant que l'incident n'a pas été résolu, ou jusqu'à ce que vous puissiez garantir que le dispositif fonctionne normalement.
6. Le dispositif ne peut pas faire l'objet d'une réparation client. Si l'utilisation du dispositif provoque des incidents, prenez contact avec votre revendeur agréé ou consultez la section relative aux diagnostics du présent manuel.
7. Ce dispositif ne peut pas être utilisé sur le réseau des téléphones publics fourni par l'entreprise de télécommunications. Les connexions à des lignes d'autres fournisseurs sont assujetties aux tarifs régionaux. Pour plus d'informations, prenez contact avec votre entreprise de télécommunications (publique ou privée).
8. Lorsque vous demandez un service d'interface réseau (NI) à une entreprise de télécommunications locales, faites mention du règlement USOC RJ11C.

Recommandation d'Industrie Canada

AVIS : L'étiquette d'Industrie Canada identifie le matériel homologué. Cette étiquette certifie que le matériel est conforme à certaines normes de protection, d'exploitation et de sécurité des réseaux de télécommunications, comme le prescrivent les documents concernant les exigences techniques relatives au

dispositif terminal. Industrie Canada ne garantit toutefois pas que le matériel fonctionnera à la satisfaction de l'utilisateur.

Avant d'installer ce matériel, l'utilisateur doit s'assurer qu'il est permis de le raccorder aux installations de l'entreprise locale de télécommunications. Le matériel doit également être installé en suivant une méthode de raccordement autorisée. L'abonné ne doit pas oublier qu'il est possible que la conformité aux conditions énoncées ci-dessus n'empêche pas la dégradation du service dans certaines situations. Les réparations du matériel homologué doivent être coordonnées par un représentant désigné par le fournisseur. L'entreprise de télécommunications peut demander de débrancher un appareil parce qu'il a été réparé ou modifié par l'utilisateur ou à cause d'un mauvais fonctionnement.

Pour sa propre protection, l'utilisateur doit s'assurer que toutes les mises à la terre de l'installation électrique, des lignes téléphoniques et des canalisations d'eau à tuyaux métalliques, s'il y en a, sont raccordés ensemble. Cette précaution est particulièrement importante dans les régions rurales.

Avertissement : L'utilisateur ne doit pas tenter de faire ces raccordements lui-même ; il doit avoir recours à un service d'inspection des installations électriques ou à un électricien, selon le cas.

AVIS : L'équivalent sonnerie (REN) assigné à chaque dispositif terminal indique le nombre maximal de terminaux qui peuvent être raccordés à une interface. La terminaison d'une interface téléphonique peut consister en une combinaison de dispositifs, à la seule condition que la somme d'équivalents sonnerie de tous les dispositifs n'excède pas 5.

Cordons d'alimentation

Pour votre sécurité Lenovo fournit un cordon d'alimentation avec une prise de terre à utiliser avec le présent produit. Pour éviter les chocs électriques, utilisez toujours le cordon d'alimentation et la fiche avec une prise correctement mise à terre.

Les cordons d'alimentation fournis par Lenovo avec les appareils distribués aux Etats-Unis et au Canada sont répertoriés par l'Underwriter's Laboratories (UL) et certifiés par l'Association canadienne de normalisation (CSA).

Pour une tension de 115 volts, utilisez un ensemble répertorié par l'UL, composé d'un cordon à trois conducteurs de type SVT ou SJT, de diamètre au moins égal au numéro 18 AWG et de longueur n'excédant pas 4,6 mètres, et d'une fiche de prise de courant (15 A - 125 V) à lames en parallèle, avec mise à terre.

Pour une tension de 230 volts (Etats-Unis), utilisez un ensemble répertorié par l'UL, composé d'un cordon à trois conducteurs de type SVT ou SJT, de diamètre au moins égale au numéro 18 AWG et de longueur n'excédant pas 4,6 mètres, et d'une fiche de prise de courant (15 A - 250 V) à lames en tandem, avec mise à terre.

Pour une tension de 230 volts (hors des Etats-Unis), utilisez un cordon muni d'une prise de terre. Assurez-vous que le cordon d'alimentation est conforme aux normes de sécurité en vigueur dans le pays où l'unité sera installée.

Les cordons d'alimentation fournis par Lenovo et destinés à une région ou un pays particulier ne sont généralement disponibles que dans cette région ou dans ce pays.

Pour les unités devant être utilisées en Allemagne : la sécurité des cordons d'alimentation doit être approuvée. En Allemagne, ils doivent être de type H05VV-F, 3G, 0,75 mm² ou de section supérieure. Dans les autres pays, utilisez les types de cordon appropriés.

Réf. du cordon d'alimentation	Pays
24R2633	Japon
39M5067	Argentine, Paraguay, Uruguay
39M5080	Antigua et Barbuda, Aruba, Bahamas, Barbade, Belize, Bermudes, Bolivie, Ile Turks, Canada, Iles Caïmans, Costa Rica, Colombie, Cuba, République Dominicaine, Equateur, Salvador, Guam, Guatemala, Haïti, Honduras, Jamaïque, Mexique, Micronésie, Antilles néerlandaises, Nicaragua, Panama, Pérou, Philippines, Arabie Saoudite, Thaïlande, Taïwan, Etats-Unis, Venezuela
39M5102	Australie, Nouvelle-Zélande

Réf. du cordon d'alimentation	Pays
39M5122	Afghanistan, Albanie Algérie, Andorre, Angola, Arménie, Autriche, Azerbaïdjan, Bélarus, Belgique, Bénin, Bosnie-Herzégovine, Bulgarie, Burkina Faso, Burundi, Cambodge, Cameroun, Cap Vert, République centrafricaine, Tchad, Comores, Congo (République démocratique de), Congo (République de), Cote D'Ivoire, Croatie (République de), République tchèque, Dahomey, Djibouti, Egypte, Guinée équatoriale, Erythrée, Estonie, Ethiopie, Finlande, France, Guyane française, Polynésie française, Gabon, Géorgie, Allemagne, Grèce, Guadeloupe, Guinée, Guinée Bissau, Hongrie, Islande, Indonésie, Iran, Kazakhstan, Kirghizistan, Laos (République populaire démocratique de), Lettonie, Liban, Lituanie, Luxembourg, Macédoine (anciennement République yougoslave de), Madagascar, Mali, Martinique, Mauritanie, Maurice, Mayotte, Moldavie (République de), Monaco, Mongolie, Maroc, Mozambique, Pays-Bas, Nouvelle-Calédonie, Niger, Norvège, Pologne, Portugal, Réunion, Roumanie, Fédération de Russie, Rwanda, Sao Tomé et Príncipe, Arabie Saoudite, Sénégal, Serbie, Slovaquie, Slovénie (République de), Somalie, Espagne, Surinam, Suède, Syrie, Tadjikistan, Tahiti, Togo, Tunisie, Turquie, Turkménistan, Ukraine, Haute Volta, Ouzbékistan, Vanuatu, Viet-Nam, Wallis et Futuna, Yougoslavie (République fédérale de), Zaïre
39M5129	Danemark
39M5143	Bangladesh, Lesotho, Macao, Maldives, Namibie, Népal, Pakistan, Samoa, Afrique du Sud, Sri Lanka, Swaziland, Ouganda
39M5150	Abu Dhabi, Australie, Bahreïn, Botswana, Brunei Darussalam, Iles Anglo-Normandes, Chypre, Dominique, Fidji, Gambie, Ghana, Grenade, Guyana, Région administrative spéciale de Hong Kong, Irak, Irlande, Jordanie, Kenya, Kiribati, Koweït, Libéria, Malawi, Malaisie, Malte, Birmanie, République de Nauru, Nouvelle-Zélande, Nigéria, Oman, Papouasie-Nouvelle-Guinée, Qatar, Saint Kitts et Nevis, Sainte-Lucie, Saint-Vincent-et-les Grenadines, Seychelles, Sierra Leone, Singapour, Soudan, Tanzanie (République unie de), Trinidad et Tobago, Emirats arabes unis (Dubai), Royaume-Uni, Yémen, Zambie, Zimbabwe
39M5151	Hong Kong (Région administrative spéciale), Corée
39M5157	Liechtenstein, Suisse
39M5164	Chili, Italie, Libye
39M5171	Israël
39M5205	Chine
39M5212	Corée
39M5232	Brésil
39M5246	Taiwan
41R3175	Inde

Cordons d'alimentation et câbles sous enveloppe de PVC (chlorure de polyvinyle)

AVERTISSEMENT : Tout contact avec le câble de ce produit ou avec les câbles des accessoires vendus avec ce produit peuvent vous exposer au plomb, produit chimique reconnu par l'état de Californie comme pouvant entraîner des cancers et des anomalies congénitales ou d'autres dommages liés à la reproduction. *Prenez soin de vous laver les mains après toute manipulation.*

Déchets d'Équipements Electriques et Electroniques (DEEE)

Lenovo encourage les propriétaires de matériel informatique (IT) à recycler leur matériel dès lors que celui-ci n'est plus utilisé. Lenovo propose une gamme de programmes et services concernant le recyclage du matériel informatique. Des informations relatives à ces offres de recyclage sont disponibles sur le site Internet de Lenovo à l'adresse :

<http://www.pc.ibm.com/ww/lenovo/about/environment/>.

Avis de conformité à la directive DEEE de l'Union Européenne

Ce marquage (DEEE) s'applique uniquement aux pays de l'Union Européenne (EU) et à la Norvège. Les appareils sont marqués conformément à la Directive européenne 2002/96/CE en matière des Déchets d'Équipements Electriques et Electroniques (DEEE). Cette directive, applicable à l'ensemble de l'Union Européenne, concerne la collecte et le recyclage des appareils usagés. Cette marque est apposée sur différents produits pour indiquer que ces derniers ne doivent pas être jetés, mais récupérés en fin de vie, conformément à cette directive.

Les utilisateurs d'équipements électriques et électroniques portant la marque DEEE, conformément à l'Annexe IV de la Directive DEEE, ne doivent pas mettre au rebut ces équipements comme des déchets municipaux non triés, mais ils doivent utiliser la structure de collecte mise à leur disposition pour le retour, le recyclage et la récupération des déchets d'équipements électriques et électroniques et pour réduire tout effet potentiel des équipements électriques et électroniques sur l'environnement et la santé en raison de la présence possible de substances dangereuses. Pour plus d'informations sur les équipements portant la marque DEEE, consultez le site : <http://www.lenovo.com/lenovo/environment>.

Japon - Déclaration relative au recyclage

Collecte et recyclage d'un ordinateur ou d'un écran Lenovo usagé

Si vous devez mettre au rebut un ordinateur ou un écran Lenovo appartenant à la société qui vous emploie, vous devez vous conformer à la Loi pour la promotion de l'utilisation efficace des ressources. Les ordinateurs et les écrans sont catégorisés comme des déchets industriels et doivent être mis au rebut par une société d'élimination des déchets industriels certifiée par un organisme public local. Conformément à la Loi pour la promotion de l'utilisation efficace des ressources, Lenovo Japan assure, par le biais de ses services de collecte et de recyclage des PC, la collecte, la réutilisation et le recyclage des ordinateurs et écrans usagés. Pour plus de détails, visitez le site Web de Lenovo à l'adresse suivante :

www.ibm.com/jp/pc/service/recycle/pcrecycle/

Conformément à la Loi pour la promotion de l'utilisation efficace des ressources, la collecte et le recyclage par le fabricant des ordinateurs et écrans familiaux a commencé le 1er octobre 2003. Ce service est assuré gratuitement pour les ordinateurs familiaux vendus après le 1er octobre 2003. Pour plus de détails, visitez le site Web de Lenovo à l'adresse suivante :

www.ibm.com/jp/pc/service/recycle/personal/

Mise au rebut de composants d'ordinateur Lenovo

Certains produits informatiques Lenovo vendus au Japon peuvent intégrer des composants contenant des métaux lourds ou d'autres substances dangereuses pour l'environnement. Pour mettre au rebut des composants usagés de manière adéquate, tels qu'une carte de circuit imprimé ou une unité, suivez les méthodes de collecte et de recyclage d'un ordinateur ou d'un écran usagé décrites ci-dessus.

Mise au rebut des piles au lithium usagées des ordinateurs Lenovo

Une pile au lithium en forme de bouton est installée sur la carte mère de votre ordinateur Lenovo afin d'alimenter l'horloge système lorsque l'ordinateur est hors tension ou déconnecté de la source d'alimentation principale. Si vous voulez la remplacer par une nouvelle pile, prenez contact avec votre revendeur ou adressez une demande de réparation à Lenovo. Si vous l'avez remplacée vous-même et que vous souhaitez mettre au rebut la pile au lithium usagée, isolez-la avec une bande adhésive en vinyle, prenez contact avec votre revendeur et suivez ses instructions. Si vous utilisez un ordinateur Lenovo chez vous et que vous devez mettre au rebut une pile au lithium, vous devez vous conformer à la réglementation locale en vigueur.

Kapitel 1. Wichtige Sicherheitshinweise

Anmerkung

Lesen Sie zunächst die wichtigen Sicherheitshinweise.

Diese Informationen ermöglichen Ihnen einen sicheren Umgang mit Ihrem Desktop- oder Notebook-Computer. Beachten Sie alle Informationen, die im Lieferumfang Ihres Computers enthalten sind, und bewahren Sie sie auf. Durch die Informationen in diesem Dokument werden die Bedingungen Ihrer Kaufvereinbarung oder der Lenovo™ Gewährleistung nicht außer Kraft gesetzt. Weitere Informationen finden Sie in Kapitel 3, „Lenovo Gewährleistung“, auf Seite 185.

Die Sicherheit unserer Kunden spielt eine große Rolle. Unsere Produkte werden mit dem Ziel entwickelt, sicher und effektiv zu sein. Dennoch sollten Sie immer beachten, dass es sich bei Computern um elektronische Geräte handelt. Netzkabel, Netzteile und andere Komponenten können Sicherheitsrisiken verursachen, die vor allem bei falscher Verwendung dieser Komponenten zu Personen- oder Sachschäden führen können. Um diese Risiken zu verringern, befolgen Sie die im Lieferumfang enthaltenen Anweisungen, beachten Sie alle Warnungen, die auf dem Produkt und in der Bedienungsanleitung ausgewiesen sind, und lesen Sie die Informationen in diesem Dokument sorgfältig. Sie können sich selbst vor Gefahren schützen und eine sichere Umgebung für die Arbeit mit dem Computer schaffen, indem Sie sich sowohl an die Informationen in diesem Dokument als auch an die im Lieferumfang des Produkts enthaltenen Anweisungen halten.

Anmerkung: Diese Informationen enthalten Hinweise zu Netzteilen, Akkus und Batterien. Wie bei Notebook-Computern sind auch im Lieferumfang einiger anderer Produkte (wie z. B. Lautsprecher und Bildschirme) externe Netzteile enthalten. Wenn Sie über ein solches Produkt verfügen, gelten die Informationen zu Netzteilen für Ihr Produkt. Zusätzlich verfügen Computer über eine interne Knopfzellenbatterie, die die Systemuhr mit Strom versorgt, wenn der Computer nicht angeschlossen ist. Daher gelten die Sicherheitshinweise zu Batterien für alle Computer.

Situationen, die sofortige Maßnahmen erfordern

Produkte können durch falsche Verwendung oder Nachlässigkeit beschädigt werden. Einige Schäden an Produkten können so beträchtlich sein, dass das Produkt vor einer erneuten Verwendung von einem autorisierten Servicemitarbeiter überprüft und ggf. repariert werden sollte.

Lassen Sie das Produkt, wie jedes andere elektronische Gerät, nicht unbeaufsichtigt, wenn es eingeschaltet ist. In sehr seltenen Fällen kann es zum Auftreten von Gerüchen oder zum Austritt von Rauch und Funken aus der Maschine kommen. Es können auch Geräusche wie Knallen, Knacken oder Rauschen zu hören sein. Dies kann lediglich bedeuten, dass eine interne elektronische Komponente in einer sicheren und kontrollierten Weise ausgefallen ist. Allerdings kann dies auch auf ein potenzielles Sicherheitsrisiko hindeuten. Gehen Sie in diesem Fall keine Risiken ein, und versuchen Sie nicht, die Ursache selbst herauszufinden. Wenden Sie sich an das Customer Support Center, um weitere Anweisungen zu erhalten. Eine Liste der Service- und Unterstützungstelefonnummern finden Sie in der „Liste der weltweit gültigen Telefonnummern“ auf Seite 227.

Überprüfen Sie in regelmäßigen Abständen, ob Ihr Computer und die zugehörigen Komponenten Schäden, Verschleißspuren oder Anzeichen eines Sicherheitsrisikos aufweisen. Verwenden Sie das Produkt nicht, wenn Sie Zweifel am einwandfreien Zustand einer Komponente haben. Wenden Sie sich an das Customer Support Center oder den Produkthersteller, um Anweisungen zur Überprüfung und, falls erforderlich, zur Reparatur des Produkts zu erhalten.

Für den unwahrscheinlichen Fall, dass einer der folgenden Umstände eintritt, oder wenn Sie irgendwelche Sicherheitsbedenken bezüglich Ihres Produkts haben, beenden Sie die Verwendung des Produkts, und unterbrechen Sie die Verbindung zur Stromquelle und zu Telekommunikationsleitungen, bis Sie mit dem Customer Support Center Kontakt aufnehmen können und Anweisungen zur weiteren Vorgehensweise erhalten.

- Netzkabel, Netzstecker, Netzteile, Verlängerungskabel oder Überspannungsschutzeinrichtungen sind rissig, brüchig oder beschädigt.
- Anzeichen von Überhitzung wie Rauch, Funken oder Feuer treten auf.
- Schäden am Akku, selbständiges Entladen des Akkus oder Ablagerung von Korrosionsmaterial am Akku treten auf.
- Geräusche wie Knacken, Rauschen, Knallen oder strenge Gerüche gehen von dem Produkt aus.
- Es gibt Anzeichen dafür, dass eine Flüssigkeit auf den Computer, das Netzkabel oder das Netzteil verschüttet wurde oder ein Gegenstand auf eines dieser Teile gefallen ist.
- Der Computer, das Netzkabel oder das Netzteil sind mit Wasser in Berührung gekommen.
- Das Produkt wurde fallen gelassen oder auf irgendeine andere Weise beschädigt.
- Das Produkt funktioniert nicht ordnungsgemäß, wenn Sie die Bedienungsanweisungen befolgen.

Anmerkung: Treten diese Situationen bei Produkten eines anderen Herstellers auf (z. B. bei einem Verlängerungskabel), verwenden Sie diese nicht weiter, bis Sie vom Produkthersteller weitere Anweisungen oder einen geeigneten Ersatz erhalten haben.

Allgemeine Sicherheitsrichtlinien

Befolgen Sie immer die folgenden Vorsichtsmaßnahmen, um das Risiko eines Personen- oder Sachschadens zu verringern.

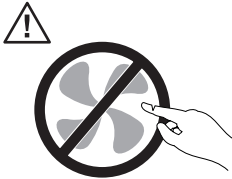
Service und Upgrades

Versuchen Sie nicht, ein Produkt selbst zu warten, wenn Sie dazu nicht vom Customer Support Center angewiesen wurden oder entsprechende Anweisungen in der zugehörigen Dokumentation vorliegen. Wenden Sie sich ausschließlich an einen Service-Provider, der für Reparaturen an dem von Ihnen verwendeten Produkt zugelassen ist.

Anmerkung: Einige Computerteile können vom Kunden selbst aufgerüstet oder ersetzt werden. Upgrades werden in der Regel als Zusatzeinrichtungen bezeichnet. Ersatzteile, die für die Installation durch den Kunden zugelassen sind, werden als CRUs (Customer Replaceable Units - durch den Kunden austauschbare Funktionseinheiten) bezeichnet. Lenovo stellt Dokumentation mit Anweisungen zur Verfügung, wenn der Kunde diese CRUs selbst ersetzen kann. Befolgen Sie bei der Installation oder beim Austauschen von Teilen sorgfältig alle Anweisungen. Wenn sich die Betriebsanzeige im Status "Aus" (Off) befindet, bedeutet dies nicht, dass im Inneren des Produkts keine elektrischen Spannungen anliegen. Stellen Sie immer sicher, dass die Stromversorgung ausgeschaltet ist und dass das Produkt nicht mit einer Stromquelle verbunden ist, bevor Sie die Abdeckung eines Produkts entfernen, das über ein Netzkabel verfügt. Weitere Informationen zu CRUs finden Sie im Benutzerhandbuch zu diesem Produkt. Wenden Sie sich bei Fragen an das Customer Support Center.

Obwohl sich nach dem Abziehen des Netzkabels in Ihrem Computer keine beweglichen Teile befinden, ist der folgende Warnhinweis für Ihre Sicherheit nötig.

VORSICHT



Gefährliche bewegliche Teile. Nicht mit den Fingern oder anderen Körperteilen berühren.

Achtung



Schalten Sie vor dem Austauschen von CRUs (Customer-Replaceable Units, durch den Kunden austauschbare Funktionseinheiten) den Computer aus, und warten Sie drei bis fünf Minuten, damit der Computer abkühlen kann, bevor Sie die Abdeckung öffnen.

Statische Aufladung vermeiden

Statische Aufladung ist harmlos für den Menschen, kann jedoch Computerkomponenten und Zusatzeinrichtungen stark beschädigen. Wenn Sie ein aufladungsempfindliches Teil nicht ordnungsgemäß handhaben, kann dadurch das Teil beschädigt werden. Wenn Sie eine Zusatzeinrichtung oder eine CRU auspacken, öffnen Sie die antistatische Verpackung, die das Teil enthält, erst, wenn dies in den Anweisungen angegeben ist.

Wenn Sie Zusatzeinrichtungen oder CRUs handhaben oder Arbeiten im Inneren des Computers ausführen, treffen Sie die folgenden Vorsichtsmaßnahmen, um Beschädigungen durch statische Aufladung zu vermeiden:

- Bewegen Sie sich möglichst wenig. Durch Bewegung kann sich die Umgebung um Sie herum statisch aufladen.
- Gehen Sie vorsichtig mit Computerkomponenten um. Fassen Sie Adapter, Speichermodule und andere Schaltkarten nur an den Kanten an. Berühren Sie keine offen liegende Schaltlogik.
- Achten Sie darauf, dass die Komponenten nicht von anderen Personen berührt werden.

- Berühren Sie vor der Installation einer aufladungsempfindlichen Einheit oder einer CRU mit der antistatischen Verpackung, in der die Komponente enthalten ist, mindestens zwei Sekunden lang eine Metallabdeckung für einen Erweiterungssteckplatz oder eine andere unlackierte Oberfläche am Computer. Dadurch wird die statische Aufladung der Verpackung und Ihres Körpers verringert.
- Nehmen Sie das aufladungsempfindliche Teil aus der antistatischen Schutzhülle, und installieren Sie es möglichst, ohne es zuvor abzusetzen. Sollte dies nicht möglich sein, legen Sie die antistatische Schutzhülle auf eine glatte und ebene Fläche und das Teil auf die Schutzhülle.
- Legen Sie die Komponente nicht auf der Computeroberfläche oder auf einer anderen Metalloberfläche ab.

Netzkabel und Netzteile

Verwenden Sie nur vom Hersteller empfohlene Netzkabel und Netzteile.

Als Netzkabel muss eine geprüfte Leitung verwendet werden. In Deutschland sollten die Netzkabel mindestens dem Sicherheitsstandard H05VV-F, 3G, 0,75 mm² entsprechen. In anderen Ländern müssen die entsprechenden Typen verwendet werden.

Wickeln Sie das Netzkabel niemals um ein Netzteil oder um ein anderes Objekt. Das Kabel kann dadurch so stark beansprucht werden, dass es beschädigt wird. Dies kann ein Sicherheitsrisiko darstellen.

Achten Sie darauf, alle Netzkabel so zu verlegen, dass sie keine Gefahr für Personen darstellen und nicht beschädigt werden können.

Schützen Sie Netzkabel und Netzteile vor Flüssigkeiten. Legen Sie Netzkabel und Netzteile beispielsweise nicht in der Nähe von Waschbecken, Badewannen, Toiletten oder auf Böden ab, die mit Flüssigkeiten gereinigt werden. Flüssigkeiten können Kurzschlüsse verursachen, insbesondere wenn das Kabel oder das Netzteil durch nicht sachgerechte Verwendung stark beansprucht wurde. Flüssigkeiten können außerdem eine allmähliche Korrosion der Netzkabelanschlüsse und/oder der Anschlussenden am Netzteil verursachen. Dies kann schließlich zu Überhitzung führen.

Schließen Sie Netzkabel und Signalkabel immer in der richtigen Reihenfolge an, und stellen Sie sicher, dass alle Netzkabelanschlüsse fest und vollständig in die Netzsteckdosen gesteckt sind.

Verwenden Sie keine Netzteile, die Korrosionsschäden am Stecker und/oder Schäden durch Überhitzung (wie z. B. verformte Plastikteile) am Stecker oder an anderen Komponenten des Netzteils aufweisen.

Verwenden Sie keine Netzkabel, bei denen die elektrischen Kontakte Anzeichen von Korrosion oder Überhitzung aufweisen oder die auf eine andere Weise beschädigt sind.

Spannungsauswahlschalter

Manche Computer sind mit einem Spannungsauswahlschalter neben dem Netzteilanschluss am Computer ausgestattet. Wenn Ihr Computer über einen Spannungsauswahlschalter verfügt, stellen Sie sicher, dass der Schalter auf die an der Netzsteckdose verfügbare Spannung eingestellt ist. Durch falsches Einstellen des Spannungsauswahlschalters kann der Computer dauerhaft beschädigt werden.

Wenn der Computer über keinen Spannungswahlschalter verfügt, ist der Computer nur geeignet für die Verwendung mit der Spannung des Landes oder der Region, in der er erworben wurde.

Wenn der Computer in einem anderen Land verwendet werden soll, achten Sie auf Folgendes:

- Wenn Ihr Computer über keinen Spannungsauswahlschalter verfügt, schließen Sie ihn erst dann an eine Netzsteckdose an, wenn Sie sichergestellt haben, dass die bereitgestellte Spannung dieselbe ist wie in dem Land oder der Region, in der der Computer erworben wurde.
- Wenn Ihr Computer über einen Spannungswahlschalter verfügt, schließen Sie ihn erst dann an eine Netzsteckdose an, wenn Sie sichergestellt haben, dass der Spannungswahlschalter auf die korrekte Spannung eingestellt ist.

Wenn Sie nicht sicher sind, welche Spannung an der Netzsteckdose bereitgestellt wird, wenden Sie sich an Ihren Stromversorger vor Ort, oder informieren Sie sich auf entsprechenden offiziellen Webseiten oder über Reiseliteratur für das Land oder die Region, in der Sie sich befinden.

Verlängerungskabel und verwandte Einheiten

Stellen Sie sicher, dass verwendete Verlängerungskabel, Überspannungsschutzeinrichtungen, unterbrechungsfreie Netzteile und Verteilerleisten so eingestuft sind, dass sie den elektrischen Anforderungen des Produkts genügen. Überlasten Sie diese Einheiten niemals. Wenn eine Verteilerleiste verwendet wird, sollte die Belastung den Eingangsspannungsbereich der Verteilerleiste nicht überschreiten. Wenden Sie sich für weitere Informationen zu Netzbelastungen, Anschlusswerten und Eingangsspannungsbereichen an einen Elektriker.

Netzstecker und Steckdosen

Wenn eine Netzsteckdose, die Sie verwenden möchten, Anzeichen einer Beschädigung oder Korrosion aufweist, verwenden Sie die Netzsteckdose erst nachdem sie von einem qualifizierten Elektriker ausgetauscht wurde.

Verbiegen oder verändern Sie den Netzstecker nicht. Wenn der Netzstecker beschädigt ist, wenden Sie sich an den Hersteller, um Ersatz zu erhalten.

Verwenden Sie eine Netzsteckdose nicht zusammen mit anderen privaten oder kommerziellen Geräten, die große Mengen an Elektrizität verbrauchen, da durch instabile Spannungen der Computer, Ihre Daten oder angeschlossene Einheiten beschädigt werden können.

Einige Produkte sind mit einem 3-poligen Netzstecker ausgestattet. Dieser Netzstecker ist nur für die Verwendung mit geerdeten Netzsteckdosen geeignet. Hierbei handelt es sich um eine Sicherheitsvorkehrung. Versuchen Sie nicht, diese Sicherheitsvorkehrung zu umgehen, indem Sie den Netzstecker an eine nicht geerdete Netzsteckdose anschließen. Wenn Sie den Stecker nicht in die Netzsteckdose stecken können, wenden Sie sich an einen Elektriker, um einen zugelassenen Steckdosenadapter zu erhalten, oder lassen Sie die Steckdose durch eine andere ersetzen, die für diese Sicherheitsvorkehrung ausgestattet ist. Überlasten Sie niemals eine Netzsteckdose. Die gesamte Systembelastung darf 80 % des Wertes für den Netzstromkreis nicht überschreiten. Wenden Sie sich bei Fragen zu Netzbelastungen und Werten für den Netzstromkreis an einen Elektriker.

Vergewissern Sie sich, dass die verwendete Netzsteckdose ordnungsgemäß angeschlossen ist, dass Sie sie auf einfache Weise erreichen können und dass sie sich in der Nähe der Einheiten befindet. Wenn Sie ein Netzkabel mit einer Netzsteckdose verbinden, dürfen Sie das Kabel nicht übermäßig dehnen, damit es nicht beschädigt wird.

Stellen Sie sicher, dass über die Netzsteckdose die richtige Spannung und die richtige Stromstärke für das Produkt zur Verfügung gestellt werden, das Sie installieren.

Gehen Sie sowohl beim Anschließen der Einheit an die Netzsteckdose als auch beim Trennen dieser Verbindung vorsichtig vor.

Externe Einheiten

Lösen oder schließen Sie keine Kabel für externe Einheiten (außer USB- und 1394-Kabel) an, während der Computer eingeschaltet ist, da sonst der Computer beschädigt werden kann. Um die mögliche Beschädigung angeschlossener Einheiten zu vermeiden, warten Sie mindestens fünf Sekunden, nachdem der Computer heruntergefahren wurde, und unterbrechen Sie erst dann die Verbindung zu den externen Einheiten.

Batterien und Akkus

Alle Lenovo PCs enthalten für die Stromversorgung der Systemuhr eine nicht aufladbare Knopfzellenbatterie. Zusätzlich werden bei vielen tragbaren Produkten wie etwa bei Notebook-Computern aufladbare Akkus verwendet, um das System auch unterwegs mit Strom zu versorgen. Batterien und Akkus, die im Lieferumfang des Lenovo Produkts enthalten sind, wurden auf Kompatibilität getestet und sollten nur durch von Lenovo zugelassene Komponenten ersetzt werden.

Öffnen, zerlegen oder warten Sie den Akku nicht. Beschädigen Sie den Akku nicht; schließen Sie die Metallkontakte nicht kurz. Schützen Sie den Akku vor Feuchtigkeit und Nässe. Befolgen Sie beim Aufladen des Akkus genau die Anweisungen in der Produktdokumentation.

Die Knopfzellenbatterie bzw. der Akku können durch unsachgemäße Handhabung überhitzen, so dass Gase oder Flammen austreten können. Um die Gefahr eines Feuers zu vermeiden, beachten Sie auf jeden Fall Folgendes: Verwenden Sie den Akku nicht, wenn er beschädigt ist oder sich selbständig entlädt oder wenn sich an den Kontakten des Akkus Korrosionsmaterial abgelagert. Erwerben Sie in diesem Fall einen Ersatzakku vom Hersteller.

Akkus können sich entladen, wenn sie längere Zeit nicht verwendet werden. Bei einigen wiederaufladbaren Akkus (besonders bei Lithiumionenakkus) steigt das Risiko eines Kurzschlusses, wenn der Akku im entladenen Zustand aufbewahrt wird. Dies kann die Lebensdauer des Akkus verringern und ein Sicherheitsrisiko darstellen. Entladen Sie wiederaufladbare Lithiumionenakkus niemals vollständig. Bewahren Sie diese Art von Akkus nicht im entladenen Zustand auf.

Erwärmung und Lüftung des Produkts

Computer, Netzteile und viele Zubehörgeräte erzeugen Wärme beim Betrieb und beim Aufladen von Akkus. Beachten Sie immer folgende Vorsichtsmaßnahmen:

- Vermeiden Sie es, den Computer, das Netzteil oder Zubehör über einen längeren Zeitraum mit den Oberschenkeln oder einem anderen Teil des Körpers in Berührung zu lassen, wenn das Produkt in Betrieb ist oder der Akku aufgeladen wird. Der Computer, das Netzteil und viele Zubehörgeräte erzeugen im normalen Betrieb Wärme. Längerer Kontakt mit dem Körper kann zu Hautreizungen und möglicherweise sogar zu Verbrennungen führen.
- Vermeiden Sie das Arbeiten mit Ihrem Computer, Netzteil oder Zubehör oder das Laden des Akkus in der Nähe von brennbaren Materialien oder in explosionsgefährdeter Umgebung.
- Das Produkt enthält Lüftungsschlitze, Lüfter und Kühlkörper für einen sicheren, komfortablen und zuverlässigen Betrieb. Diese Komponenten könnten unabsichtlich blockiert werden, wenn das Produkt auf ein Bett, ein Sofa,

einen Teppich oder andere weiche Oberflächen gestellt wird. Diese Komponenten dürfen niemals blockiert, abgedeckt oder beschädigt werden.

Der Desktop-Computer sollte mindestens alle drei Monate auf Staubansammlungen überprüft werden. Bevor Sie den Computer überprüfen, schalten Sie den Netzstrom aus, und ziehen Sie das Netzkabel des Computers von der Netzsteckdose ab; entfernen Sie dann den Staub von den Entlüftungsschlitzen und Perforationen in der Frontblende. Wenn Sie außen am Computer Staubansammlungen feststellen, sollten Sie auch den inneren Bereich des Computers überprüfen und eventuelle Staubansammlungen auf der Luftzufuhr des Kühlkörpers, auf den Entlüftungsschlitzen des Netzteils sowie auf den Lüftern entfernen. Schalten Sie den Computer aus, und ziehen Sie das Netzkabel des Computers aus der Netzsteckdose, bevor Sie mit der Überprüfung beginnen. Vermeiden Sie es, den Computer in unmittelbarer Nähe von stark frequentierten Bereichen zu verwenden. Wenn Sie den Computer in stark frequentierten Bereichen verwenden müssen, sollten Sie die Sauberkeit des Computers häufiger überprüfen und ihn gegebenenfalls häufiger reinigen.

Zu Ihrer eigenen Sicherheit und zur Aufrechterhaltung einer optimalen Computerleistung müssen Sie immer die folgenden grundlegenden Vorsichtsmaßnahmen beachten:

- Öffnen Sie die Abdeckung nicht, wenn der Computer an den Netzstrom angeschlossen ist.
- Überprüfen Sie die Außenseite des Computers in regelmäßigen Abständen auf Staubablagerungen hin.
- Entfernen Sie Staubablagerungen von den Entlüftungsschlitzen und Perforationen in der Frontblende. Bei Verwendung des Computers in stark frequentierten Bereichen oder in Bereichen, in denen viel Staub entsteht, ist möglicherweise ein häufigeres Reinigen des Computers erforderlich.
- Blockieren Sie nicht die Lüftungsöffnungen des Computers.
- Achten Sie darauf, dass der Computer nicht in Möbeln gelagert oder betrieben wird, um die Gefahr einer Überhitzung zu verringern.
- Achten Sie darauf, dass die in den Computer hineinströmende Luft 35 °C nicht übersteigt.
- Verwenden Sie keine Lüftungseinheiten, die nicht für Desktop-Computer bestimmt sind.

Betriebsumgebung

Die optimale Umgebung, in der Sie Ihren Computer verwenden sollten, weist eine Temperatur zwischen 10 und 35 °C bei einer Luftfeuchtigkeit von 35 bis 80% auf. Wenn Ihr Computer bei Temperaturen von weniger als 10 °C aufbewahrt oder transportiert wird, muss der kalte Computer vor Inbetriebnahme langsam auf eine optimale Betriebstemperatur von 10 bis 35 °C akklimatisiert werden. Unter extremen Bedingungen kann dieser Vorgang bis zu zwei Stun-

den dauern. Wenn Sie Ihren Computer nicht auf eine optimale Betriebstemperatur bringen, bevor Sie ihn benutzen, kann dies dauerhafte Schäden an Ihrem Computer hervorrufen.

Wenn möglich, sollten Sie Ihren Computer in einem gut belüfteten und trockenen Bereich ohne direkte Sonneneinstrahlung aufstellen.

Halten Sie elektrische Geräte wie z. B. einen elektrischen Ventilator, ein Radio, leistungsfähige Lautsprecher, eine Klimaanlage oder eine Mikrowelle von Ihrem Computer fern, da diese Geräte starke magnetische Felder erzeugen, die den Bildschirm und die Daten auf dem Festplattenlaufwerk beschädigen können.

Stellen Sie keine Getränke auf oder neben den Computer oder andere angeschlossene Einheiten. Wenn Flüssigkeit auf oder in dem Computer oder einer angeschlossenen Einheit verschüttet wurde, kann ein Kurzschluss oder ein anderer Schaden auftreten.

Essen und rauchen Sie nicht über Ihrer Tastatur. Partikel, die in die Tastatur fallen, können zu Beschädigungen führen.

Sicherheitshinweise zur elektrischen Sicherheit

VORSICHT

An Netz-, Telefon- oder Datenleitungen können gefährliche Spannungen anliegen.

Aus Sicherheitsgründen:

- Bei einem Gewitter den Computer nicht benutzen, um die Gefahr eines elektrischen Schlages zu vermeiden.
- Bei Gewitter an diesem Gerät keine Kabel anschließen oder lösen. Ferner keine Installations-, Wartungs- oder Rekonfigurationsarbeiten durchführen.
- Alle Netzkabel nur an eine Schutzkontaktsteckdose mit ordnungsgemäß geerdetem Schutzkontakt anschließen.
- Alle angeschlossenen Geräte ebenfalls an Schutzkontaktsteckdosen mit ordnungsgemäß geerdetem Schutzkontakt anschließen.
- Die Signalkabel nach Möglichkeit einhändig anschließen oder lösen, um einen Stromschlag durch Berühren von Oberflächen mit unterschiedlichem elektrischem Potenzial zu vermeiden.
- Geräte niemals einschalten, wenn Hinweise auf Feuer, Wasser oder Gebäudeschäden vorliegen.

- Die Verbindung zu den angeschlossenen Netzkabeln, Telekommunikationssystemen, Netzwerken und Modems ist vor dem Öffnen des Gehäuses zu unterbrechen, sofern in den Installations- und Konfigurationsprozeduren keine anders lautenden Anweisungen enthalten sind.
- Zum Installieren, Transportieren und Öffnen der Abdeckungen des Computers oder der angeschlossenen Einheiten die Kabel gemäß der folgenden Tabelle anschließen und abziehen.

Verbindungen herstellen:	Verbindungen trennen:
<ol style="list-style-type: none"> 1. Schalten Sie alle Geräte aus. 2. Schließen Sie die Einheitenkabel an. 3. Schließen Sie die Signalkabel an die entsprechenden Anschlüsse an. 4. Schließen Sie die Netzkabel an eine Netzsteckdose an. 5. Schalten Sie Ihr System ein. 	<ol style="list-style-type: none"> 1. Schalten Sie alle Geräte aus. 2. Ziehen Sie die Netzkabel aus der Netzsteckdose. 3. Ziehen Sie die Signalkabel von ihren Anschlüssen ab. 4. Entfernen Sie alle Kabel von den Geräten.

Hinweis zur Lithiumbatterie

<p>Achtung Die Batterie kann bei unsachgemäßem Austauschen explodieren.</p>

Eine verbrauchte Lithium-Knopfzellenbatterie nur durch eine gleichwertige oder eine vom Hersteller empfohlene Batterie ersetzen. Die Batterie enthält Lithium und kann bei unsachgemäßer Verwendung, Handhabung oder Entsorgung explodieren.

Die Batterie nicht

- mit Wasser in Berührung bringen
- über 100 °C erhitzen
- reparieren oder zerlegen.

Bei der Entsorgung von Batterien die örtlichen Richtlinien für Sondermüll sowie die allgemeinen Sicherheitsbestimmungen beachten.

Sicherheitshinweise zu Modems

Achtung

Zur Vermeidung von Brandgefahr nur Telekommunikationsleitungskabel mit mindestens 26 AWG verwenden.

Um bei der Verwendung von Telefonanlagen Brandgefahr, die Gefahr eines elektrischen Schlages oder die Gefahr von Verletzungen zu vermeiden, die folgenden grundlegenden Sicherheitshinweise beachten:

- Während eines Gewitters keine Telefonleitungen installieren.
- An feuchten Orten keine Telefonanschlüsse installieren, die nicht speziell für Feuchträume geeignet sind.
- Blanke Telefonkabel oder Terminals nicht berühren, bevor die Telefonleitung von der Netzschnittstelle getrennt wurde.
- Vorsicht bei der Installation oder Änderung von Telefonleitungen.
- Während eines Gewitters kein Telefon (außer ein drahtloses Modell) benutzen, da die Gefahr eines elektrischen Schlages besteht.
- Das Telefon nicht in der Nähe der undichten Stelle einer Gasleitung benutzen, um den Leitungsbruch zu melden. Es besteht Explosionsgefahr.

Lasersicherheit

Einige PC-Modelle sind werkseitig mit einem CD- oder DVD-Laufwerk ausgestattet. CD- und DVD-Laufwerke können auch gesondert als Zusatzeinrichtung erworben werden. CD- und DVD-Laufwerke sind Laserprodukte. Diese Laufwerke sind gemäß Europäischer Norm IEC/EN 60 825-1 sicherheitsgeprüft und als Geräte der Klasse 1 zugelassen.

Wenn ein CD- oder DVD-Laufwerk installiert ist, beachten Sie die folgenden Anweisungen für den Umgang mit dem Laufwerk:

Achtung

Werden Steuerelemente, Einstellungen oder Durchführungen von Prozeduren anders als hier angegeben verwendet, kann gefährliche Laserstrahlung auftreten.

Laufwerkabdeckungen nicht entfernen. Die Abdeckungen des CD- oder DVD-Laufwerks wegen möglicher Laserstrahlung nicht entfernen. In dem CD- oder DVD-Laufwerk sind keine zu wartenden Teile vorhanden.

Einige CD- und DVD-Laufwerke enthalten einen Laser der Klasse 3A oder 3B. Beachten Sie den folgenden Hinweis.

VORSICHT

Laserstrahlung bei geöffneter Verkleidung. Nicht in den Strahl blicken. Nicht in den Strahl blicken. Keine Lupen oder Spiegel verwenden. Strahlungsbereich meiden.

Hinweise zu Netzteilen

Die Abdeckung des Netzteils oder einer Komponente, die mit dem folgenden Etikett versehen ist, darf niemals entfernt werden.



In Komponenten, die dieses Etikett aufweisen, treten gefährliche Spannungen und Energien auf. Diese Komponenten enthalten keine Teile, die gewartet werden müssen. Besteht der Verdacht eines Fehlers an einem dieser Teile, ist ein Kundendiensttechniker zu verständigen.

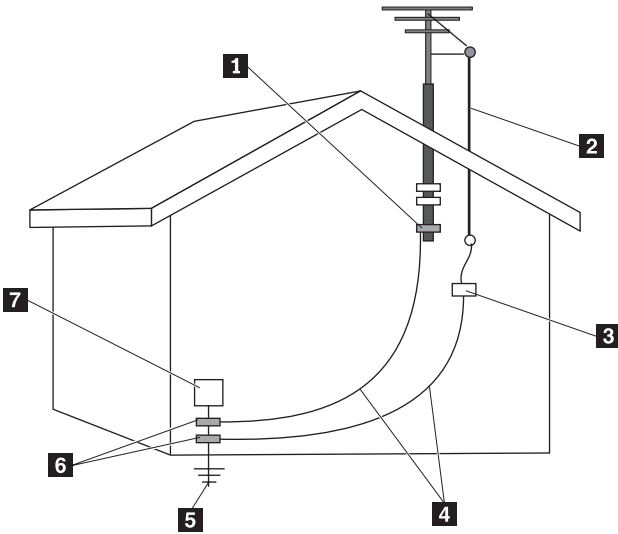
Produkte mit installierter TV-Empfangseinheit

Dieser Hinweis gilt für Produkte mit TV-Empfangseinheit, die mit externen Antennen und/oder Kabel-/CATV-Systemen oder beiden verbunden sind und die in Nordamerika installiert werden sollen. Benutzer und Installationsverantwortliche in anderen Ländern sollten lokale Bestimmungen befolgen, wenn sie Geräte installieren, die mit externen Antennen und Kabel-/CATV-Systemen verbunden sind. Wenn keine lokalen Bestimmungen zum Tragen kommen, empfiehlt es sich, dass Benutzer/Installationsverantwortliche ähnliche Richtlinien wie die folgenden verwenden.

Hinweis an Installationsverantwortliche für Kabel-/CATV-Systeme

Dieser Hinweis lenkt die Aufmerksamkeit des Installationsverantwortlichen für das Kabel-/CATV-System auf Artikel 820-40 des National Electrical Code (NEC), der Richtlinien für die ordnungsgemäße Erdung bereitstellt und insbesondere angibt, dass die Kabelerdung möglichst nahe am Kabeleingangspunkt mit dem Erdungssystem des Gebäudes verbunden werden soll.

Beispiel für die Erdung der Antenne



- | | | | |
|----------|-----------------------------------------------|----------|------------------------------------------------------------|
| 1 | Erdungsklemme | 5 | Erdungsanlage des Stromanbieters (NEC Artikel 250, Teil H) |
| 2 | Antenneneingangskabel | 6 | Erdungsklemmen |
| 3 | Antennenentladeeinheit (NEC Abschnitt 810-20) | 7 | Ausstattung für den elektronischen Service |
| 4 | Schutzleiter (NEC Abschnitt 810-21) | | |

Abbildung 1. Ordnungsgemäße Erdung des Kabels

Der folgende Hinweis gilt für alle Länder und Regionen

VORSICHT



Erdung der Außenantenne

Wenn eine Außenantenne oder ein Kabelanschluss mit dem Gerät verbunden ist, achten Sie darauf, dass die Antenne oder das Kabel als Schutz gegen Stromstöße und statische Entladungen geerdet ist.

Blitzschlag

Für zusätzlichen Schutz des Gerätes während eines Gewitters oder wenn es für längere Zeit unbeaufsichtigt bleibt oder nicht verwendet wird, ziehen Sie den Netzstecker ab, und trennen Sie die Verbindung zur Antenne bzw. zum Kabelanschluss. Dadurch wird eine Beschädigung des Videoprodukts aufgrund von Blitzschlag oder Stromstößen vermieden.

Elektrische Leitungen

Eine Außenantenne sollte nicht in der Nähe von Freileitungen betrieben werden oder in Bereichen, wo sie elektrische Leitungen berühren oder auf diese fallen könnte. Bitte seien Sie extrem vorsichtig, wenn Sie eine Außenantenne installieren - das Berühren von Stromleitungen kann tödlich sein.

Datensicherheit

Löschen Sie keine unbekanntes Dateien und ändern Sie nicht die Namen von Dateien oder Verzeichnissen, die Sie nicht selbst erstellt haben. Dies kann zu Softwarefehlern führen.

Beachten Sie, dass Ihr Computer durch den Zugriff auf Netzressourcen anfällig für Computerviren, Hacker, Spyware und andere zerstörerische Aktivitäten ist, durch die der Computer, die Software oder Ihre Daten beschädigt werden können. Sie sind selbst dafür verantwortlich, entsprechende Schutzmaßnahmen in Form von Firewalls, Antivirensoftware und Anti-Spyware-Software einzurichten und diese Software immer auf dem neuesten Stand zu halten.

Reinigung und Wartung

Halten Sie den Computer und Ihren Arbeitsbereich sauber. Schalten Sie den Computer aus, und ziehen Sie das Netzkabel ab, bevor Sie den Computer reinigen. Sprühen Sie keine flüssigen Reinigungsmittel direkt auf den Computer, und verwenden Sie auch keine Reinigungsmittel, die leicht entzündbare Stoffe enthalten, um den Computer zu reinigen. Sprühen Sie das Reinigungsmittel auf ein weiches Tuch, und wischen Sie damit die Oberflächen des Computers ab.

Verwendung von Kopf- und Ohrhörern

Wenn Ihr Computer sowohl über einen Kopfhöreranschluss als auch über einen Audioausgangsanschluss verfügt, schließen Sie Kopfhörer (ggf. auch als "Headset" bezeichnet) und Ohrhörer immer an den Kopfhöreranschluss an.

Der exzessive Gebrauch von Kopfhörern oder Ohrhörern über einen langen Zeitraum bei starker Lautstärke kann zu Schäden führen, wenn die Kopfhörer nicht den EN 50332-2-Spezifikationen entsprechen. Der Ausgangsanschluss für Kopfhörer Ihres Computers entspricht der EN 50332-2-Spezifikation Abschnitt 5.1. Durch diese Spezifikation wird die Ausgabespannung für den maximalen tatsächlichen Breitband-RMS-Wert des Computers auf 150 mV beschränkt. Um Hörschäden zu vermeiden, stellen Sie sicher, dass die von Ihnen verwendeten Kopfhörer oder Ohrhörer ebenfalls der EN 50332-2-Spezifikation (Abschnitt 6.1) für eine für den Breitbandbetrieb charakteristische Spannung von 75 mV entsprechen. Der Gebrauch von Kopfhörern, die der EN 50332-2-Spezifikation nicht entsprechen, kann aufgrund von erhöhten Schalldruckpegeln eine Gefahr darstellen.

Wenn im Lieferumfang Ihres Lenovo Computers Kopfhörer oder Ohrhörer als Set enthalten sind, entspricht die Kombination aus Kopfhörer oder Ohrhörer und aus Computer bereits den EN 50332-1-Spezifikationen. Wenn andere Kopfhörer oder Ohrhörer verwendet werden, stellen Sie sicher, dass die von Ihnen verwendeten Kopfhörer oder Ohrhörer der EN 50332-2-Spezifikation (Abschnitt 6.1) für eine für den Breitbandbetrieb charakteristische Spannung von 75 mV entsprechen. Der Gebrauch von Kopfhörern, die der EN 50332-2-Spezifikation nicht entsprechen, kann aufgrund von erhöhten Schalldruckpegeln eine Gefahr darstellen.

Zusätzliche Sicherheitshinweise

Plastiktüten können gefährlich sein. Bewahren Sie Plastiktüten nicht in Reichweite von Kleinkindern und Kindern auf, um eine Erstickungsgefahr zu vermeiden.

Kapitel 2. Informationsquellen

Nachdem Sie den Computer mit Hilfe des im Lieferumfang enthaltenen Installationsposters installiert haben, können Sie die Informationen in diesem Kapitel verwenden, um auf nützliche Ressourcen zuzugreifen, die Ihnen das Arbeiten mit dem Computer erleichtern.

Ordner "Online Books"

Der Ordner "Online Books" enthält Veröffentlichungen, die Ihnen bei der Konfiguration und Verwendung des Computers helfen. Der Ordner "Online Books" ist bereits auf Ihrem Computer installiert, Sie benötigen also keinen Zugriff auf das Internet, um die Veröffentlichungen anzuzeigen. Die folgenden Veröffentlichungen sind im Ordner "Online Books" enthalten:

- Benutzerhandbuch
In dieser Veröffentlichung finden Sie Informationen zur Konfiguration Ihres Computers, zum Installieren von Zusatzeinrichtungen, zum Wiederherstellen von Software, zum Verwenden des Konfigurationsdienstprogramms, zum Aktualisieren von Systemprogrammen sowie zur Fehlerbehebung.
- Handbuch zum Austauschen von Hardware
Diese Veröffentlichung enthält schrittweise Anleitungen zum Ersetzen von Customer Replacement Units (CRUs) in Ihrem Computer. CRUs sind Computerteile, die vom Kunden selbst aufgerüstet oder ersetzt werden könnten.

Klicken Sie zum Anzeigen einer Veröffentlichung auf dem Windows-Desktop auf das Menü "Start", wählen Sie **Alle Programme** und dann **Online Books** aus, und klicken Sie anschließend auf **Online Books**. Klicken Sie doppelt auf die Veröffentlichung zum gewünschten Computer. Diese Veröffentlichungen sind auch auf der Lenovo Website unter der Adresse <http://www.lenovo.com> zu finden.

Anmerkungen:

1. Zum Öffnen dieser Veröffentlichungen im PDF-Format muss der Adobe Acrobat Reader installiert sein. Ist der Adobe Acrobat Reader noch nicht auf dem Computer installiert, wird beim Öffnen einer PDF-Datei eine entsprechende Nachricht angezeigt, und Sie werden durch die Installation des Adobe Acrobat Readers geführt.
2. Die auf Ihrem Computer vorinstallierten Veröffentlichungen sind auch in anderen Sprachen auf der Lenovo Unterstützungswebsite unter der folgenden Adresse erhältlich: <http://www.lenovo.com/support/>.

3. Wenn Sie eine andere Sprachversion von Adobe Acrobat Reader als die auf dem Computer verfügbare Version installieren möchten, rufen Sie die Adobe-Website unter der Adresse <http://www.adobe.com> auf, und laden Sie die gewünschte Sprachversion herunter.

ThinkVantage Productivity Center

Das Programm "ThinkVantage® Productivity Center" führt Sie zu einer Vielzahl von Informationsquellen und Tools, die für eine einfachere und sichere Handhabung des Computers entwickelt wurden und die gleichzeitig für eine Senkung der Kosten und eine Zunahme der Produktivität sorgen. Das Programm "ThinkVantage Productivity Center" unterstützt Sie beim Konfigurieren und Erweitern der Funktionen Ihres Computers und hilft Ihnen bei allen Fragen.

Das Programm "ThinkVantage Productivity Center" enthält Informationen zu Ihrem Computer und ermöglicht den einfachen Zugriff auf verschiedene Technologien, wie z. B. folgende:

- Das Programm "Rescue and Recovery"
- Productivity Center
- Client Security Solutions
- Factory Recovery
- System Updates
- Service und Unterstützung

Anmerkung: Die ThinkVantage-Technologien sind nur auf bestimmten Lenovo Computern verfügbar.

Um auf das Programm "ThinkVantage Productivity Center" zuzugreifen, rufen Sie auf dem Windows-Desktop das Menü "Start" auf, wählen Sie dann **Alle Programme** und **ThinkVantage** aus, und klicken Sie auf **Productivity Center**.

Access Help

Die Onlinehilfefunktion "Access Help" bietet Informationen zu den ersten Schritten, zur Durchführung von grundlegenden Tasks, zur Anpassung der Einstellungen an Ihre persönlichen Vorgaben, zum Schutz von Daten, zum Erweitern und zum Durchführen von Upgrades sowie zur Fehlerbehebung.

Um "Access Help" zu öffnen, rufen Sie auf dem Windows-Desktop das Menü "Start" auf, wählen Sie **Alle Programme** und dann **ThinkVantage** aus, und klicken Sie anschließend auf **Access Help**. Nach dem Öffnen von Access Help können Sie im linken Teilfenster eine Auswahl aus der Registerkarte "Inhalt" oder "Index" treffen. Sie können auch die Registerkarte "Suchen" verwenden, um nach einem bestimmten Wort oder einem Ausdruck zu suchen.

Die Lenovo Website (www.lenovo.com) bietet eine große Menge an Informationen und Services, die Ihnen beim Erwerb, beim Durchführen von Upgrades und bei der Wartung des Computers helfen. Aktuelle Informationen zu Ihrem Computer finden Sie auf der Lenovo Website. Auf dieser Website haben Sie außerdem folgende Möglichkeiten:

- Sie können Desktop- und Notebook-Computer, Bildschirme, Projektoren, Upgrades und Zubehör für Ihren Computer erwerben. Hier finden Sie außerdem Sonderangebote.
- Sie können Nebenleistungen, wie z. B. Hardwareunterstützung, Betriebssysteme, Anwendungsprogramme, Netzinstallationen und -konfigurationen sowie angepasste Installationen erwerben.
- Sie können Upgrades und erweiterte Hardwarereparaturservices erwerben.
- Sie können aktuelle Einheits-treiber und Softwareaktualisierungen für Ihr Computermodell herunterladen.
- Sie können auf die Onlinehandbücher für Ihre Produkte zugreifen.
- Sie können auf die Lenovo Gewährleistung zugreifen.
- Sie können auf Informationen zu Fehlerbehebung und Unterstützung für Ihr Computermodell und weitere unterstützte Produkte zugreifen.
- Hier finden Sie die Service- und Unterstützungstelefonnummern für Ihr Land oder Ihre Region.
- Hier finden Sie einen Service-Provider in Ihrer Nähe.

Computerdaten notieren

Die notierten Computerdaten könnten Sie gebrauchen, wenn Sie Ihren Computer vom Kundendienst überprüfen lassen müssen. Der Kundendiensttechniker fragt Sie möglicherweise nach diesen Daten.

Maschinentyp, Modell und Seriennummer stehen auf dem Computer. Notieren Sie die Daten in der folgenden Tabelle.

Produktname	_____
Maschinentyp und Modell	_____
Seriennummer (S/N)	_____
Kaufdatum	_____

Registrieren Sie Ihren Computer über das Internet auf der folgenden Website:

<http://www.lenovo.com/register>

Wenn Sie Ihren Computer registrieren, können Sie folgende Vorteile nutzen:

- Schnellerer Service, wenn Sie Hilfe anfordern
- Automatische Benachrichtigung über kostenlose Software und Angebote

Weitere Informationen zur Registrierung Ihres Computers finden Sie in der Onlinehilfefunktion "Access Help". Im Abschnitt „Access Help“ auf Seite 182 finden Sie Anweisungen zum Öffnen der Onlinehilfefunktion.

Kapitel 3. Lenovo Gewährleistung

LSOLW-00 05/2005

Teil 1 - Allgemeine Bestimmungen

*Diese Gewährleistung umfasst Teil 1 - Allgemeine Bestimmungen, Teil 2 - Länderspezifische Bestimmungen und Teil 3 - Gewährleistungsinformationen. Die Bestimmungen in Teil 2 ersetzen oder ändern die Bestimmungen in Teil 1. Lenovo erbringt die nachfolgend beschriebenen Gewährleistungen nur für Maschinen, die für den Eigenbedarf erworben wurden, und nicht für zum Wiederverkauf erworbene Maschinen. Der Begriff "Maschine" steht für eine Lenovo Maschine, ihre Optionen, Features, Typen- und Modelländerungen, Modellerweiterungen oder Peripheriegeräte bzw. deren beliebige Kombination. Der Begriff "Maschine" umfasst weder vorinstallierte noch nachträglich auf der Maschine installierte Softwareprogramme. **Gesetzlich unabdingbare Verbraucherschutzrechte gehen den nachfolgenden Bestimmungen vor.***

Umfang dieser Gewährleistung

Lenovo gewährleistet, dass jede Maschine 1) in Material und Ausführung fehlerfrei ist und 2) den veröffentlichten Spezifikationen von Lenovo ("Spezifikationen") entspricht, die auf Anforderung erhältlich sind. Der Gewährleistungszeitraum für die Maschine beginnt mit dem Datum der Installation und ist in Teil 3 - Gewährleistungsinformationen angegeben. Sofern von Lenovo oder dem Reseller nicht anders angegeben, ist das Datum auf der Rechnung oder dem Kassenbeleg das Installationsdatum. Sofern von Lenovo nicht anders angegeben, gelten die folgenden Gewährleistungen nur in dem Land oder der Region, in der die Maschine erworben wurde.

DIESE GEWÄHRLEISTUNGSBESTIMMUNGEN SIND ABSCHLIESSEND UND ERSETZEN SÄMTLICHE ETWAIGE SONSTIGE GEWÄHRLEISTUNGSANSPRÜCHE. EINIGE LÄNDER ODER RECHTSORDNUNGEN ERLAUBEN NICHT DEN AUSSCHLUSS VERÖFFENTLICHTER ODER STILLSCHWEIGENDER GEWÄHRLEISTUNGEN, SO DASS OBIGE EINSCHRÄNKUNGEN MÖGLICHERWEISE NICHT ANWENDBAR SIND. IN DIESEM FALL SIND DERARTIGE GEWÄHRLEISTUNGEN AUF DIE ZEITDAUER DES GEWÄHRLEISTUNGSZEITRAUMS BEGRENZT. NACH ABLAUF DES GEWÄHRLEISTUNGSZEITRAUMS WIRD KEINERLEI GEWÄHRLEISTUNG MEHR ERBRACHT. EINIGE LÄNDER ODER RECHTSORDNUNGEN ERLAUBEN NICHT DIE BEGRENZUNG DER ZEITDAUER EINER STILLSCHWEIGENDEN GEWÄHRLEISTUNG, SO DASS OBIGE EINSCHRÄNKUNGEN MÖGLICHERWEISE NICHT ANWENDBAR SIND.

Gewährleistungsausschluss

Folgendes ist nicht Bestandteil dieser Gewährleistung:

- Vorinstallierte oder nachträglich installierte Softwareprogramme oder Softwareprogramme, die mit der Maschine geliefert werden;
- Schäden, die durch nicht sachgerechte Verwendung, Unfälle, Änderungen, ungeeignete Betriebsumgebung, unsachgemäße Wartung durch den Kunden verursacht wurden;
- Schäden, die von Produkten herbeigeführt wurden, für die Lenovo nicht verantwortlich ist; und
- Produkte anderer Hersteller, einschließlich der Produkte, die Lenovo auf Kundenanfrage hin zusammen mit einer Lenovo Maschine beschafft und bereitstellt oder in eine Lenovo Maschine integriert.

Bei Entfernung oder Veränderung der Typenschilder bzw. Teilenummern auf der Maschine oder den Maschinenteilen erlischt die Gewährleistung.

Lenovo gewährleistet nicht den unterbrechungsfreien oder fehlerfreien Betrieb einer Maschine.

Technische oder andere Unterstützung, die für eine Maschine im Rahmen der Gewährleistung zur Verfügung gestellt wird, wie z. B. Unterstützung bei Fragen zu Vorgehensweisen und solchen Fragen, die sich auf die Einrichtung und Installation der Maschine beziehen, wird **NUR IM RAHMEN DER GESETZLICHEN REGELN UND FRISTEN** bereitgestellt.

Gewährleistungsservice

Gewährleistungsservice kann von Lenovo, IBM® oder vom zuständigen Reseller (sofern er zur Ausführung des Gewährleistungsservice autorisiert ist) erbracht werden, oder von einem für Gewährleistungsservice autorisierten Service-Provider. Sie werden jeweils als "Service-Provider" bezeichnet.

Funktioniert die Maschine während des Gewährleistungszeitraums nicht wie zugesagt, sollte sich der Kunde an einen Service-Provider wenden. Wenn der Kunde seine Maschine nicht bei Lenovo registrieren lässt, wird er eventuell zur Vorlage eines Kaufnachweises aufgefordert als Nachweis dafür, dass er Anspruch auf Gewährleistungsservice hat.

Fehlerbehebung durch Lenovo

Wenn der Kunde Service bei einem Service-Provider anfordert, muss er die von Lenovo angegebenen Fehlerbestimmungs- und Fehlerbehebungsprozeduren befolgen. Eine Anfangsdiagnose des Problems kann entweder von einem Techniker per Telefon oder elektronisch durch Zugriff auf eine Unterstützungs-Website erstellt werden.

Die Art des Gewährleistungsservice, die für die Maschine des Kunden erbracht wird, ist in Teil 3 - Gewährleistungsinformationen angegeben.

Der Kunde ist für das Herunterladen und Installieren vorgesehener Software-Updates von einer Unterstützungs-Website oder von anderen elektronischen Medien und die Einhaltung der vom Service-Provider bereitgestellten Anweisungen selbst verantwortlich. Zu den Software-Updates gehören unter anderem Basic Input/Output System-Code ("BIOS"), Dienstprogramme, Einheitentreiber und weitere Software-Updates.

Kann das Problem mithilfe einer durch den Kunden austauschbaren Funktionseinheit ("CRU"), z. B. Tastatur, Maus, Lautsprecher, Speicher, Festplattenlaufwerk und andere leicht austauschbare Teile, behoben werden, liefert der Service-Provider dem Kunden diese CRU, damit er die Installation selbst vornehmen kann.

Funktioniert die Maschine während des Gewährleistungszeitraums nicht wie zugesagt und kann das Problem per Telefon oder elektronisch, durch Anwenden von Software-Updates oder durch eine CRU nicht behoben werden, wird der Service-Provider nach eigenem Ermessen 1) die fehlerhafte Maschine reparieren, damit sie wieder entsprechend der Gewährleistung funktioniert, oder 2) durch eine funktionell mindestens gleichwertige Maschine ersetzen. Ist der Service-Provider nicht in der Lage, die Maschine zu reparieren oder eine Ersatzmaschine zu beschaffen, ist der Kunde berechtigt, die Maschine an die Verkaufsstelle zurückzugeben und sich den bezahlten Kaufpreis zurückerstatten zu lassen.

Im Rahmen des Gewährleistungsservice kann der Service-Provider auch die für die jeweilige Maschine erforderlichen technischen Änderungen ausführen.

Austausch einer Maschine oder eines Maschinenteils

Muss eine Maschine oder ein Maschinenteil im Rahmen des Gewährleistungsservice ausgetauscht werden, geht die vom Service-Provider ersetzte Maschine bzw. das ersetzte Teil in das Eigentum von Lenovo über, während die Ersatzmaschine oder das Ersatzteil in das Eigentum des Kunden übergeht. Der Kunde gewährleistet, dass es sich bei allen entfernten Teilen um unveränderte Originalteile handelt. Die Ersatzmaschine oder die Ersatzteile sind unter Umständen nicht neu, befinden sich jedoch in einem einwandfreien Betriebszustand und sind dem ersetzten Teil funktionell mindestens gleichwertig. Die Ersatzmaschine oder das Ersatzteil erhält den Gewährleistungsstatus der entfernten Maschine oder des entfernten Teils.

Weitere Zuständigkeiten des Kunden

Der Kunde erklärt sich damit einverstanden, alle nicht durch diesen Gewährleistungsservice abgedeckten Features, Teile, Optionen, Änderungen und Zubehörteile zu entfernen, bevor der Service-Provider eine Maschine oder ein Teil ersetzt.

Weiterhin verpflichtet sich der Kunde,

1. sicherzustellen, dass keine rechtlichen Verpflichtungen bzw. Einschränkungen bestehen, die dem Ersetzen der Maschine oder eines Teils entgegenstehen,
2. bei einer Maschine, die nicht sein Eigentum ist, die Genehmigung des Eigentümers für den Gewährleistungsservice dieser Maschine durch den Service-Provider einzuholen und
3. soweit zutreffend, vor Erbringung des Gewährleistungsservice:
 - a. die vom Service-Provider vorgegebene Vorgehensweise zur Serviceanforderung zu befolgen,
 - b. alle auf der Maschine befindlichen Programme, Daten und Ressourcen zu sichern,
 - c. dem Service-Provider den für die Ausführung seiner Aufgaben erforderlichen freien und sicheren Zugang zu seinen Räumlichkeiten und Systemen zu gewähren.
4. (a) sicherzustellen, dass alle Informationen über identifizierte oder identifizierbare Personen (persönliche Daten) auf der Maschine gelöscht werden (im technisch möglichen Rahmen), (b) dem Service-Provider oder einem Lieferanten zu gestatten, in seinem Namen alle noch vorhandenen persönlichen Daten, die der Service-Provider zur Erfüllung seiner Verpflichtungen im Rahmen dieser Vereinbarung für notwendig erachtet, zu verarbeiten (dazu gehört eventuell der Versand der Maschine an einen anderen der weltweit verteilten Servicestandorte), und (c) sicherzustellen, dass diese Art der Verarbeitung mit den für persönliche Daten geltenden Gesetzen vereinbar ist.

Haftungsbeschränkung

Lenovo trägt die Verantwortung für den Verlust bzw. die Beschädigung der Maschine, 1) während sie sich im Besitz des Service-Providers befindet oder 2) in Fällen, in denen Lenovo die Transportkosten trägt, während sie sich auf dem Transportweg befindet.

Weder Lenovo noch der Service-Provider ist verantwortlich für vertrauliche, private oder persönliche Daten auf einer Maschine, die der Kunde, gleich aus welchem Grund, zurückgibt. Solche Informationen müssen vor Rückgabe der Maschine entfernt werden.

Soweit der Kunde aus Verschulden von Lenovo oder aus sonstigen Gründen von Lenovo Schadensersatz verlangen kann, ist die Haftung von Lenovo unabhängig von der Rechtsgrundlage, auf der der Schadensersatzanspruch an Lenovo beruht (einschließlich Verletzung wesentlicher Vertragspflichten, Fahrlässigkeit, unrichtiger Angaben oder anderer Ansprüche aus dem Vertrag oder auf Grund unerlaubter Handlungen), und außer in Fällen der gesetzlich zwingenden Haftung begrenzt auf:

1. Körperverletzung (einschließlich Tod) und Schäden an Immobilien und beweglichen Sachen, für die Lenovo rechtlich haftbar ist; und
2. bei anderen direkten Schäden auf die für die Maschine zu entrichtenden Gebühren, die Grundlage des Rechtsanspruchs ist.

Diese Haftungsbegrenzung gilt auch für die Lieferanten und Reseller von Lenovo sowie den Service-Provider. Dies ist der maximale Betrag, für den Lenovo, die Lieferanten, Reseller und der Service-Provider insgesamt haftbar gemacht werden können.

AUF KEINEN FALL SIND LENOVO, DIE LIEFERANTEN, RESELLER ODER SERVICE-PROVIDER IN FOLGENDEN FÄLLEN HAFTBAR, AUCH WENN AUF DIE MÖGLICHKEIT SOLCHER SCHÄDEN HINGEWIESEN WURDE: 1) ANSPRÜCHE DRITTER AUF SCHADENSERSATZ GEGENÜBER DEM KUNDEN (ANDERE ANSPRÜCHE ALS OBEN UNTER HAFTUNGSBEGRENZUNG, ZIFFER 1 ANGEZEIGT); 2) VERLUST ODER BESCHÄDIGUNG VON DATEN; 3) SPEZIELLE, MITTELBARE ODER FOLGESCHÄDEN ODER ANDERE WIRTSCHAFTLICHE FOLGESCHÄDEN; ODER 4) ENTGANGENE GEWINNE, GESCHÄFTSABSCHLÜSSE, UMSÄTZE, SCHÄDIGUNG DES GUTEN NAMENS ODER VERLUST ERWARTETER EINSPARUNGEN. EINIGE LÄNDER ODER RECHTSORDNUNGEN ERLAUBEN NICHT DEN AUSSCHLUSS ODER DIE BEGRENZUNG VON FOLGESCHÄDEN, SO DASS OBIGE EINSCHRÄNKUNGEN UND AUSSCHLÜSSE MÖGLICHERWEISE NICHT ANWENDBAR SIND.

Geltendes Recht

Beide Vertragsparteien sind damit einverstanden, dass die Gesetze des Landes zur Anwendung kommen, in dem die Maschine erworben wurde, um die Rechte, Pflichten und Verpflichtungen der Vertragsparteien, die sich aus dem Inhalt dieser Vereinbarung ergeben oder in irgendeiner Weise damit in Zusammenhang stehen, zu regeln, zu interpretieren und durchzuführen, ungeachtet unterschiedlicher Rechtsgrundlagen.

DIESE GEWÄHRLEISTUNGEN ERMÖGLICHEN DEM KUNDEN DIE GELTENDMACHUNG BESTIMMTER RECHTE, DIE ABHÄNGIG VOM JEWEILIGEN LAND ODER DER JEWEILIGEN RECHTSORDNUNG VONEINANDER ABWEICHEN KÖNNEN.

Rechtsprechung

Alle Rechte, Pflichten und Verpflichtungen von Lenovo unterliegen der Rechtsprechung des Landes, in dem die Maschine erworben wurde.

Teil 2 - Länderspezifische Bestimmungen

MITTEL- UND SÜDAMERIKA

ARGENTINIEN

Rechtsprechung: *Der Text nach dem ersten Satz wird wie folgt ergänzt:*

Jeder aus dieser Vereinbarung entstehende Rechtsstreit wird ausschließlich durch das Handelsgesicht in Buenos Aires verhandelt.

BOLIVIEN

Rechtsprechung: *Der Text nach dem ersten Satz wird wie folgt ergänzt:*

Jeder aus dieser Vereinbarung entstehende Rechtsstreit wird ausschließlich durch die Gerichte in La Paz verhandelt.

BRASILIEN

Rechtsprechung: *Der Text nach dem ersten Satz wird wie folgt ergänzt:*

Jeder aus dieser Vereinbarung entstehende Rechtsstreit wird ausschließlich durch das zuständige Gericht in Rio de Janeiro verhandelt.

CHILE

Rechtsprechung: *Der Text nach dem ersten Satz wird wie folgt ergänzt:*

Jeder aus dieser Vereinbarung entstehende Rechtsstreit wird ausschließlich durch die Zivilgerichte in Santiago verhandelt.

KOLUMBIEN

Rechtsprechung: *Der Text nach dem ersten Satz wird wie folgt ergänzt:*

Jeder aus dieser Vereinbarung entstehende Rechtsstreit wird ausschließlich durch die Richterschaft der Republik Kolumbien verhandelt.

ECUADOR

Rechtsprechung: *Der Text nach dem ersten Satz wird wie folgt ergänzt:*

Jeder aus dieser Vereinbarung entstehende Rechtsstreit wird ausschließlich durch die Richterschaft in Quito verhandelt.

MEXIKO

Rechtsprechung: *Der Text nach dem ersten Satz wird wie folgt ergänzt:*

Jeder aus dieser Vereinbarung entstehende Rechtsstreit wird ausschließlich durch die Bundesgerichte in Mexiko-Stadt, dem Sitz der Bundesregierung, verhandelt.

PARAGUAY

Rechtsprechung: *Der Text nach dem ersten Satz wird wie folgt ergänzt:*

Jeder aus dieser Vereinbarung entstehende Rechtsstreit wird ausschließlich durch die Gerichte in Asuncion verhandelt.

PERU

Rechtsprechung: *Der Text nach dem ersten Satz wird wie folgt ergänzt:*

Jeder aus dieser Vereinbarung entstehende Rechtsstreit wird ausschließlich durch die Richterschaft und Tribunale im Gerichtsbezirk von Lima, Cercado, verhandelt.

Haftungsbegrenzung: *Dieser Abschnitt wird wie folgt ergänzt:*

In Übereinstimmung mit Artikel 1328 des peruanischen Zivilrechts entfallen bei Vorsatz ("dolo") oder grober Fahrlässigkeit ("culpa inexcusable") von Lenovo die in diesem Abschnitt genannten Einschränkungen und Ausschlüsse.

URUGUAY

Rechtsprechung: *Der Text nach dem ersten Satz wird wie folgt ergänzt:*
Jeder aus dieser Vereinbarung entstehende Rechtsstreit wird ausschließlich durch das zuständige Gericht in Montevideo verhandelt.

VENEZUELA

Rechtsprechung: *Der Text nach dem ersten Satz wird wie folgt ergänzt:*
Jeder aus dieser Vereinbarung entstehende Rechtsstreit wird ausschließlich durch die Gerichte im Stadtgebiet von Caracas verhandelt.

NORDAMERIKA

Gewährleistungsservice: *Dieser Abschnitt wird wie folgt ergänzt:*
Gewährleistungsservice vom IBM Service kann in Kanada oder den Vereinigten Staaten von Amerika über die folgenden Nummer angefordert werden: 1-800-426-7378.

KANADA

Haftungsbegrenzung: *Ziffer 1 dieses Abschnitts wird wie folgt ersetzt:*
1. Körperverletzung (einschließlich Tod) und Schäden an Immobilien und beweglichen Sachen, soweit die Schäden fahrlässig von Lenovo verursacht wurden; und

Geltendes Recht: *Der folgende Text ersetzt "dass die Gesetze des Landes zur Anwendung kommen, in dem die Maschine erworben wurde" im ersten Satz:*
dass die Gesetze der Provinz Ontario zur Anwendung kommen.

VEREINIGTE STAATEN VON AMERIKA

Geltendes Recht: *Der folgende Text ersetzt "dass die Gesetze des Landes zur Anwendung kommen, in dem die Maschine erworben wurde" im ersten Satz:*
dass die Gesetze des Staates New York zur Anwendung kommen.

ASIEN/Pazifik

AUSTRALIEN

Umfang dieser Gewährleistung: *Der folgende Absatz wird diesem Abschnitt hinzugefügt:*
Die in diesem Abschnitt beschriebenen Gewährleistungen werden zusätzlich zu den sonstigen Ansprüchen gewährt, die aus dem "Trade Practices Act 1974" oder aus ähnlichen Gesetzen abgeleitet werden können, und sind nur insoweit eingeschränkt, als dies die entsprechenden Gesetze zulassen.

Haftungsbegrenzung: *Dieser Abschnitt wird wie folgt ergänzt:*
Wenn Lenovo in Zusammenhang mit der Anwendung des "Trade Practices Act 1974" oder ähnlicher Gesetze die Gewährleistungsverpflichtungen nicht erfüllt, ist die Haftung von Lenovo auf die Reparatur oder den Ersatz der Maschine

oder die Lieferung einer gleichwertigen Ersatzmaschine begrenzt. Wenn die Produkte normalerweise für persönliche, Haushalts- oder Konsumzwecke benutzt werden oder die Voraussetzung oder Gewährleistung zur Verschaffung von Eigentum, stillschweigendem Besitz oder das Recht zum Verkauf betroffen sind, finden die Haftungsbegrenzungen dieses Absatzes keine Anwendung.

Geltendes Recht: *Der folgende Text ersetzt "dass die Gesetze des Landes zur Anwendung kommen, in dem die Maschine erworben wurde" im ersten Satz:* dass die Gesetze des Staates oder Territoriums zur Anwendung kommen.

KAMBODSCHA UND LAOS

Geltendes Recht: *Der folgende Text ersetzt "dass die Gesetze des Landes zur Anwendung kommen, in dem die Maschine erworben wurde" im ersten Satz:* dass die Gesetze des Staates New York, Vereinigte Staaten von Amerika, zur Anwendung kommen.

KAMBODSCHA, INDONESIEN UND LAOS

Schiedsverfahren: *Der folgende Text wird unter dieser Überschrift hinzugefügt:*

Verfahren und Streitigkeiten, die sich aus dieser Vereinbarung ergeben oder damit in Zusammenhang stehen, werden in Singapur durch Schiedsspruch in Übereinstimmung mit den geltenden Richtlinien des Singapore International Arbitration Center ("SIAC-Richtlinien") geregelt bzw. beigelegt. Der in Schriftform abzufassende Schiedsspruch ist endgültig und bindend für alle Parteien ohne Einspruchsmöglichkeit und muss eine Darlegung der Fakten sowie eine Begründung enthalten.

Es müssen drei Schiedsrichter bestellt werden, wobei jede Partei berechtigt ist, einen Schiedsrichter zu ernennen. Die von den Parteien ernannten Schiedsrichter bestimmen vor Beginn des Verfahrens den dritten Schiedsrichter. Dieser übernimmt den Vorsitz. Bei Ausfall des Vorsitzenden kann der Vorsitz vom Präsidenten des SIAC übernommen werden. Bei Ausfall eines der beiden anderen Schiedsrichter kann dieser von der betreffenden Partei neu ernannt werden. Das Verfahren wird an dem Punkt fortgesetzt, an dem der jeweilige Schiedsrichter ausgetauscht wurde.

Verweigert oder unterlässt eine der Parteien die Ernennung eines Schiedsrichters innerhalb von 30 Tagen, gerechnet ab dem Datum, zu dem die andere Partei ihren Schiedsrichter ernannt hat, wird der zuerst ernannte Schiedsrichter zum alleinigen Schiedsrichter, vorausgesetzt, dass er rechtmäßig und ordnungsgemäß ernannt wurde.

Die Verkehrssprache für sämtliche Verfahren ist Englisch (die zum Verfahren gehörenden Dokumente müssen ebenfalls in Englisch abgefasst sein). Die englische Version dieser Vereinbarung ist die verbindliche und hat Vorrang vor allen anderen Sprachen.

HONGKONG UND MACAU (SONDERVERWALTUNGSREGIONEN VON CHINA)

Geltendes Recht: *Der folgende Text ersetzt "dass die Gesetze des Landes zur Anwendung kommen, in dem die Maschine erworben wurde" im ersten Satz: dass die Gesetze der chinesischen Sonderverwaltungsregion Hongkong zur Anwendung kommen.*

INDIEN

Haftungsbegrenzung: *Die Ziffern 1 und 2 dieses Abschnitts werden wie folgt ersetzt:*

1. Personenschäden (einschließlich Tod) oder Schäden an Immobilien und beweglichen Sachen nur bei Fahrlässigkeit von Lenovo; und
2. sonstige tatsächliche Schäden, die durch Nichterfüllung von Lieferungen oder Leistungen hinsichtlich dieser Vereinbarung entstanden sind, in der Höhe des Betrages, den der Kunde für die Maschine bezahlt hat, die Gegenstand des Anspruchs ist.

Schiedsverfahren: *Der folgende Text wird unter dieser Überschrift hinzugefügt:*

Verfahren und Streitigkeiten, die sich aus dieser Vereinbarung ergeben oder damit in Zusammenhang stehen, werden in Bangalore, Indien, durch Schiedsgericht in Übereinstimmung mit den geltenden Gesetzen Indiens geregelt bzw. beigelegt. Der in Schriftform abzufassende Schiedsspruch ist endgültig und bindend für alle Parteien ohne Einspruchsmöglichkeit und muss eine Darlegung der Fakten sowie eine Begründung enthalten.

Es müssen drei Schiedsrichter bestellt werden, wobei jede Partei berechtigt ist, einen Schiedsrichter zu ernennen. Die von den Parteien ernannten Schiedsrichter bestimmen vor Beginn des Verfahrens den dritten Schiedsrichter. Dieser übernimmt den Vorsitz. Bei Ausfall des Vorsitzenden kann der Vorsitz vom Präsidenten der Anwaltskammer Indiens (Bar Council of India) übernommen werden. Bei Ausfall eines der beiden anderen Schiedsrichter kann dieser von der betreffenden Partei neu ernannt werden. Das Verfahren wird an dem Punkt fortgesetzt, an dem der jeweilige Schiedsrichter ausgetauscht wurde.

Verweigert oder unterlässt eine der Parteien die Ernennung eines Schiedsrichters innerhalb von 30 Tagen, gerechnet ab dem Datum, zu dem die andere Partei ihren Schiedsrichter ernannt hat, wird der zuerst ernannte Schiedsrichter zum alleinigen Schiedsrichter, vorausgesetzt, dass er rechtmäßig und ordnungsgemäß ernannt wurde.

Die Verkehrssprache für sämtliche Verfahren ist Englisch (die zum Verfahren gehörenden Dokumente müssen ebenfalls in Englisch abgefasst sein). Die englische Version dieser Vereinbarung ist die verbindliche und hat Vorrang vor allen anderen Sprachen.

JAPAN

Geltendes Recht: *Dieser Abschnitt wird durch den folgenden Satz ergänzt:*

Bei Zweifelsfällen in Bezug auf diese Vereinbarung wird zunächst in gutem Glauben und in gegenseitigem Vertrauen eine Lösung gesucht.

MALAYSIA

Haftungsbegrenzung: Das Wort "**SPEZIELLE**" in Ziffer 3 des fünften Absatzes wird ersatzlos gestrichen.

NEUSEELAND

Umfang dieser Gewährleistung: *Der folgende Absatz wird diesem Abschnitt hinzugefügt:*

Die in diesem Abschnitt beschriebene Gewährleistung gilt zusätzlich zu den Ansprüchen, die der Kunde aus dem "Consumer Guarantees Act 1993" oder aus sonstigen Gesetzen herleiten kann, soweit diese weder eingeschränkt noch ausgeschlossen werden können. Der "Consumer Guarantees Act 1993" findet keine Anwendung, wenn die Produkte von Lenovo für Geschäftszwecke, wie sie in diesem Act definiert sind, verwendet werden.

Haftungsbegrenzung: *Dieser Abschnitt wird wie folgt ergänzt:*

Wenn die Maschinen nicht für Geschäftszwecke, wie im "Consumer Guarantees Act 1993" definiert, verwendet werden, gelten die Haftungseinschränkungen in diesem Abschnitt nur insoweit, als sie im "Consumer Guarantees Act 1993" beschrieben sind.

VOLKSREPUBLIK CHINA

Geltendes Recht: *Der folgende Text ersetzt "dass die Gesetze des Landes zur Anwendung kommen, in dem die Maschine erworben wurde" im ersten Satz: dass die Gesetze des Staates New York, Vereinigte Staaten von Amerika, zur Anwendung kommen (sofern dies durch die Gesetzgebung des Landes nicht anders geregelt wird).*

PHILIPPINEN

Haftungsbegrenzung: *Ziffer 3 im fünften Absatz wird wie folgt ersetzt:*

SPEZIELLE (EINSCHLIESSLICH BEILÄUFIGE SCHÄDEN UND VERSCHÄRFTER SCHADENSERSATZ), MORALISCHE, BEILÄUFIGE ODER MITTELBARE SCHÄDEN ODER WIRTSCHAFTLICHE FOLGESCHÄDEN; ODER

Schiedsverfahren: Der folgende Text wird unter dieser Überschrift hinzugefügt:

Verfahren und Streitigkeiten, die sich aus dieser Vereinbarung ergeben oder damit in Zusammenhang stehen, werden in Metro Manila, Philippinen, in Übereinstimmung mit den geltenden Gesetzen der Philippinen geregelt bzw. beigelegt. Der in Schriftform abzufassende Schiedsspruch ist endgültig und bindend für alle Parteien ohne Einspruchsmöglichkeit und muss eine Darlegung der Fakten sowie eine Begründung enthalten.

Es müssen drei Schiedsrichter bestellt werden, wobei jede Partei berechtigt ist, einen Schiedsrichter zu ernennen. Die von den Parteien ernannten Schiedsrichter bestimmen vor Beginn des Verfahrens den dritten Schiedsrichter. Dieser übernimmt den Vorsitz. Bei Ausfall des Vorsitzenden kann der Vorsitz vom Präsidenten des Philippine Dispute Resolution Center, Inc. übernommen werden. Bei Ausfall eines der beiden anderen Schiedsrichter kann dieser von der betreffenden Partei neu ernannt werden. Das Verfahren wird an dem Punkt fortgesetzt, an dem der jeweilige Schiedsrichter ausgetauscht wurde.

Verweigert oder unterlässt eine der Parteien die Ernennung eines Schiedsrichters innerhalb von 30 Tagen, gerechnet ab dem Datum, zu dem die andere Partei ihren Schiedsrichter ernannt hat, wird der zuerst ernannte Schiedsrichter zum alleinigen Schiedsrichter, vorausgesetzt, dass er rechtmäßig und ordnungsgemäß ernannt wurde.

Die Verkehrssprache für sämtliche Verfahren ist Englisch (die zum Verfahren gehörenden Dokumente müssen ebenfalls in Englisch abgefasst sein). Die englische Version dieser Vereinbarung ist die verbindliche und hat Vorrang vor allen anderen Sprachen.

SINGAPUR

Haftungsbegrenzung: *Die Wörter "SPEZIELLE" und "WIRTSCHAFTLICHE" in Ziffer 3 des fünften Absatzes werden ersatzlos gestrichen.*

EUROPA, NAHER UND MITTLERER OSTEN, AFRIKA (EMEA)

DIE FOLGENDEN BESTIMMUNGEN GELTEN FÜR ALLE EMEA-LÄNDER:

Diese Gewährleistung gilt für Maschinen, die der Kunde bei Lenovo oder einem Lenovo Reseller erworben hat.

Gewährleistungsservice:

*Der folgende Absatz wird in **Westeuropa** (Andorra, Österreich, Belgien, Zypern, Tschechien, Dänemark, Estland, Finnland, Frankreich, Deutschland, Griechenland, Ungarn, Island, Irland, Italien, Lettland, Liechtenstein, Litauen, Luxemburg, Malta, Monaco, den Niederlanden, Norwegen, Polen, Portugal, San Marino, der Slowakei, Slowenien, Spanien, Schweden, der Schweiz, Großbritannien, im Vatikan und in allen anderen Ländern, die der Europäischen Union beitreten, ab dem Beitrittsdatum) hinzugefügt:*

Die Gewährleistung für Maschinen, die in Westeuropa erworben werden, hat in allen westeuropäischen Ländern Gültigkeit, vorausgesetzt, die Maschinen wurden in diesen Ländern angekündigt und zur Verfügung gestellt.

Wenn der Kunde eine Maschine in einem der westeuropäischen Länder, wie oben definiert, erwirbt, kann er für diese Maschine Gewährleistungsservice in jedem der genannten Länder von einem Service-Provider in Anspruch nehmen, vorausgesetzt, die Maschine wurde von Lenovo in dem Land angekündigt und zur Verfügung gestellt, in dem er den Service in Anspruch nehmen möchte.

Wenn der Kunde einen Personal Computer in Albanien, Armenien, Weißrussland, Bosnien-Herzegowina, Bulgarien, Kroatien, Tschechien, Georgien, Ungarn, Kasachstan, Kirgisien, der Bundesrepublik Jugoslawien, in der früheren jugoslawischen Republik Mazedonien, Moldawien, Polen, Rumänien, Russland, der Slowakischen Republik, Slowenien oder der Ukraine erworben hat, kann er für diese Maschine Gewährleistungsservice in jedem der genannten Länder von einem Service-Provider in Anspruch nehmen, vorausgesetzt, die Maschine wurde von Lenovo in dem Land angekündigt und zur Verfügung gestellt, in dem er den Service in Anspruch nehmen möchte.

Wenn der Kunde eine Maschine in einem Land des Nahen und Mittleren Ostens oder in einem afrikanischen Land erwirbt, kann er für diese Maschine Gewährleistungsservice von einem Service-Provider im jeweiligen Land in Anspruch nehmen, vorausgesetzt, die Maschine wurde von Lenovo in dem Land angekündigt und zur Verfügung gestellt. In Afrika wird Gewährleistungsservice in einem Umkreis von 50 Kilometern vom Standort eines Service-Providers bereitgestellt. Ab einer Entfernung von 50 Kilometern vom Standort eines autorisierten Service-Providers muss der Kunde die Transportkosten für die Maschinen übernehmen.

Geltendes Recht:

Der Text "dass die Gesetze des Landes zur Anwendung kommen, in dem die Maschine erworben wurde" wird ersetzt durch:

1) "dass die Gesetze Österreichs" in **Albanien, Armenien, Aserbaidschan, Weißrussland, Bosnien-Herzegowina, Bulgarien, Kroatien, Georgien, Ungarn, Kasachstan, Kirgisien, in der früheren jugoslawischen Republik Mazedonien, Moldawien, Polen, Rumänien, Russland, der Slowakei, Slowenien, Tadschikistan, Turkmenistan, Ukraine, Usbekistan und der Bundesrepublik Jugoslawien;** 2) "dass die Gesetze Frankreichs" in **Algerien, Benin, Burkina Faso, Kamerun, Kap Verde, der Zentralafrikanischen Republik, im Tschad, auf den Komoren, der Republik Kongo, Dschibuti, der Demokratischen Republik Kongo, Äquatorialguinea, Französisch-Guayana, Französisch-Polynesien, Gabun, Gambia, Guinea, Guinea-Bissau, Elfenbeinküste, Libanon, Madagaskar, Mali, Mauretanien, Mauritius, Mayotte, Marokko, Neukaledonien, Niger, Reunion, Senegal, Seychellen, Togo, Tunesien, Vanuatu sowie Wallis und Futuna;** 3) "dass die Gesetze Finnlands" in **Estland, Lettland und Litauen;** 4) "dass die Gesetze Englands" in **Angola, Bahrain, Botsuana,**

Burundi, Ägypten, Eritrea, Äthiopien, Ghana, Jordanien, Kenia, Kuwait, Liberia, Malawi, Malta, Mosambik, Nigeria, Oman, Pakistan, Katar, Ruanda, Sao Tome, Saudi-Arabien, Sierra Leone, Somalia, Tansania, Uganda, den Vereinigten Arabischen Emiraten, Großbritannien, der West Bank/Gazastreifen, Jemen, Sambia und Zimbabwe; und 5) "dass die Gesetze Südafrikas" in Südafrika, Namibia, Lesotho und Swasiland zur Anwendung kommen.

Rechtsprechung: *Folgende Ausnahmen werden diesem Abschnitt hinzugefügt:*

1) In **Österreich** gilt als Gerichtsstand für alle aus dieser Gewährleistung erwachsenden und mit dieser in Zusammenhang stehenden Streitfälle einschließlich Streitfällen bezüglich ihres Vorhandenseins das zuständige Gericht in Wien, Österreich (Innenstadt); 2) in **Angola, Bahrain, Botsuana, Burundi, Ägypten, Eritrea, Äthiopien, Ghana, Jordanien, Kenia, Kuwait, Liberia, Malawi, Malta, Mosambik, Nigeria, Oman, Pakistan, Katar, Ruanda, Sao Tome, Saudi-Arabien, Sierra Leone, Somalia, Tansania, Uganda, den Vereinigten Arabischen Emiraten, der West Bank/Gazastreifen, Jemen, Sambia und Simbabwe** unterliegen sämtliche Rechtsstreitigkeiten, die sich aus dieser Vereinbarung oder im Zusammenhang mit deren Ausführung ergeben, einschließlich der abgekürzten Verfahren, ausschließlich der Rechtsprechung der englischen Gerichte; 3) in **Belgien und Luxemburg** unterliegen sämtliche Rechtsstreitigkeiten, die sich aus dieser Vereinbarung oder im Zusammenhang mit deren Auslegung oder Ausführung ergeben, den Gesetzen und den Gerichten der Hauptstadt des Landes, in dem sich der Firmensitz und/oder die Handelsniederlassung des Kunden befindet; 4) in **Frankreich, Algerien, Benin, Burkina Faso, Kamerun, Kap Verde, der Zentralafrikanischen Republik, im Tschad, auf den Komoren, im Kongo, Dschibuti, der Demokratischen Republik Kongo, Äquatorialguinea, Französisch-Guayana, Französisch-Polynesien, Gabun, Gambia, Guinea, Guinea-Bissau, Elfenbeinküste, Libanon, Madagaskar, Mali, Mauretanien, Mauritius, Mayotte, Marokko, Neukaledonien, Niger, Réunion, Senegal, Seychellen, Togo, Tunesien, auf Vanuatu und Wallis und Futuna** unterliegen sämtliche Rechtsstreitigkeiten, die sich aus dieser Vereinbarung oder im Zusammenhang mit deren Verletzung oder Ausführung ergeben, einschließlich der abgekürzten Verfahren, ausschließlich der Rechtsprechung des Handelsgerichts (Commercial Court) in Paris; 5) in **Russland** unterliegen sämtliche Rechtsstreitigkeiten, die sich aus dieser Vereinbarung oder im Zusammenhang mit deren Auslegung, Verletzung, Beendigung und Unwirksamkeit ergeben, dem Schiedsgericht (Arbitration Court) in Moskau; 6) in **Südafrika, Namibia, Lesotho und Swasiland** stimmen beide Parteien überein, dass sämtliche Rechtsstreitigkeiten, die sich aus dieser Vereinbarung ergeben, in die Zuständigkeit des hohen Gerichts (High Court) in Johannesburg fallen; 7) in der **Türkei** unterliegen sämtliche Rechtsstreitigkeiten, die sich aus dieser Vereinbarung ergeben oder damit in Zusammenhang stehen, den Zentralgerichten (Sultanahmet) und den Execution Directorates in Istanbul, Türkei; 8) in den folgenden genannten Ländern werden sämtliche Rechtsansprüche aus dieser Gewährleistung vor dem zuständigen Gericht in a) Athen für **Griechenland**, b) Tel Aviv-Jaffa für **Israel**, c) Mailand für **Italien**, d) Lissabon für **Portugal** und e) Madrid für **Spanien** verhandelt; und 9) in **Groß-**

britannien stimmen beide Parteien überein, dass sämtliche Rechtsstreitigkeiten, die sich aus dieser Vereinbarung ergeben, in die Zuständigkeit der englischen Gerichte fallen.

Schiedsspruchverfahren: *Der folgende Text wird unter dieser Überschrift hinzugefügt:*

In Albanien, Armenien, Aserbaidschan, Weißrussland, Bosnien-Herzegowina, Bulgarien, Kroatien, Georgien, Ungarn, Kasachstan, Kirgisien, der früheren jugoslawischen Republik Mazedonien, Moldawien, Polen, Rumänien, Russland, der Slowakei, Slowenien, Tadschikistan, Turkmenistan, in der Ukraine, Usbekistan und der Bundesrepublik Jugoslawien unterliegen sämtliche Rechtsstreitigkeiten, die sich aus dieser Vereinbarung oder im Zusammenhang mit deren Verletzung, Beendigung oder Unwirksamkeit ergeben, der Schieds- und Schlichtungsordnung des Internationalen Schiedsgerichts der Wirtschaftskammer Österreich in Wien (Wiener Regeln) durch die drei Schiedsrichter, die in Übereinstimmung mit diesen Richtlinien ernannt wurden. Das Schiedsspruchverfahren findet in Wien, Österreich, statt, und die offizielle Sprache der Verfahren ist Englisch. Die Entscheidung der Schiedsrichter ist endgültig und bindend für beide Parteien. Gemäß Paragraph 598 (2) des österreichischen Zivilprozesscodes verzichten die Parteien daher ausdrücklich auf die Anwendung von Paragraph 595 (1) Ziffer 7 des Codes. Lenovo kann jedoch veranlassen, dass die Verfahren vor einem zuständigen Gericht im Land der Installation verhandelt werden.

In Estland, Lettland und Litauen werden sämtliche Rechtsstreitigkeiten, die sich im Zusammenhang mit dieser Vereinbarung ergeben, in einem Schiedsspruchverfahren beigelegt, das in Helsinki, Finnland, gemäß den geltenden Schiedsspruchgesetzen Finnlands stattfindet. Jede Partei ernennt einen Schiedsrichter. Die Schiedsrichter bestimmen dann gemeinsam den Vorsitzenden. Können sich die Schiedsrichter nicht auf einen Vorsitzenden einigen, wird dieser von der zentralen Handelskammer (Central Chamber of Commerce) in Helsinki ernannt.

EUROPÄISCHE UNION (EU)

DIE FOLGENDEN BESTIMMUNGEN GELTEN FÜR ALLE EU-LÄNDER:

Die Gewährleistung für Maschinen, die in EU-Ländern erworben werden, hat in allen EU-Ländern Gültigkeit, vorausgesetzt, die Maschinen wurden in diesen Ländern angekündigt und zur Verfügung gestellt.

Gewährleistungsservice: *Dieser Abschnitt wird wie folgt ergänzt:*

Gewährleistungsservice vom IBM Service in EU-Ländern kann über die für das jeweilige Land in Teil 3 - Gewährleistungsinformationen angegebene Telefonnummer angefordert werden.

Der Kunde kann auch über die folgende Adresse mit dem IBM Service Kontakt aufnehmen:

IBM Warranty & Service Quality Dept.
PO Box 30
Spango Valley
Greenock
Scotland PA16 0AH

KONSUMENTEN

In der Europäischen Gemeinschaft sind für Konsumenten unter den geltenden nationalen rechtlichen Bestimmungen Rechte für den Verkauf von Konsumgütern definiert. Diese Rechte sind von den Bestimmungen in dieser Gewährleistung nicht betroffen.

ÖSTERREICH, DÄNEMARK, FINNLAND, GRIECHENLAND, ITALIEN, NIEDERLANDE, NORWEGEN, PORTUGAL, SPANIEN, SCHWEDEN UND SCHWEIZ

Haftungsbegrenzung: *Die Bestimmungen in diesem Abschnitt werden durch den folgenden Text vollständig ersetzt:*

Vorausgesetzt, dass keine anderweitigen verbindlichen Rechtsbestimmungen gelten:

1. Die Haftung von Lenovo für Schäden und Verluste, die als Folge der Erfüllung der Bestimmungen dieser Vereinbarung oder in Zusammenhang mit dieser Vereinbarung verursacht wurden oder die auf einer anderen, mit dieser Vereinbarung in Zusammenhang stehenden Ursache beruhen, ist begrenzt auf die Kompensation der Schäden und Verluste, die als unmittelbare und direkte Folge der Nichterfüllung solcher Verpflichtungen (bei Verschulden von Lenovo) oder durch die genannte Ursache entstanden und belegt sind. Der Höchstbetrag entspricht hierbei den vom Kunden für die Maschine bezahlten Gebühren.

Die obige Einschränkung gilt nicht für Personenschäden (einschließlich Tod) und für direkte Schäden an Immobilien und beweglichen Sachen, für die Lenovo rechtlich haftbar ist.

2. **AUF KEINEN FALL SIND LENOVO, DIE LIEFERANTEN, RESELLER ODER SERVICE-PROVIDER IN FOLGENDEN FÄLLEN HAFTBAR, AUCH WENN AUF DIE MÖGLICHKEIT SOLCHER SCHÄDEN HINGEWIESEN WURDE: 1) VERLUST ODER BESCHÄDIGUNG VON DATEN; 2) BEILÄUFIGE ODER MITTELBARE SCHÄDEN ODER ANDERE WIRTSCHAFTLICHE FOLGESCHÄDEN; 3) ENTGANGENE GEWINNE, AUCH WENN SIE ALS DIREKTE FOLGE DES EREIGNISSES ENTSTANDEN SIND, DAS ZU DEN SCHÄDEN GEFÜHRT HAT; ODER 4) ENTGANGENE GESCHÄFTSABSCHLÜSSE, UMSÄTZE, SCHÄDIGUNG DES GUTEN NAMENS ODER VERLUST ERWARTETER EINSPARUNGEN.**

FRANKREICH UND BELGIEN

Haftungsbegrenzung: *Die Bestimmungen in diesem Abschnitt werden durch den folgenden Text vollständig ersetzt:*

Vorausgesetzt, dass keine anderweitigen verbindlichen Rechtsbestimmungen gelten:

1. Die Haftung von Lenovo für Schäden und Verluste, die als Folge der Erfüllung der Bestimmungen dieser Vereinbarung oder in Zusammenhang mit dieser Vereinbarung verursacht wurden, ist begrenzt auf die Kompensation der Schäden und Verluste, die als unmittelbare und direkte Folge der Nichterfüllung solcher Verpflichtungen (bei Verschulden von Lenovo) entstanden und belegt sind. Der Höchstbetrag entspricht hierbei den Gebühren, die der Kunde für die Maschine bezahlt hat, die den Schaden verursacht hat.

Die obige Einschränkung gilt nicht für Personenschäden (einschließlich Tod) und für direkte Schäden an Immobilien und beweglichen Sachen, für die Lenovo rechtlich haftbar ist.

2. **AUF KEINEN FALL SIND LENOVO, DIE LIEFERANTEN, RESELLER ODER SERVICE-PROVIDER IN FOLGENDEN FÄLLEN HAFTBAR, AUCH WENN AUF DIE MÖGLICHKEIT SOLCHER SCHÄDEN HINGEWIESEN WURDE: 1) VERLUST ODER BESCHÄDIGUNG VON DATEN; 2) BEILÄUFIGE ODER MITTELBARE SCHÄDEN ODER ANDERE WIRTSCHAFTLICHE FOLGESCHÄDEN; 3) ENTGANGENE GEWINNE, AUCH WENN SIE ALS DIREKTE FOLGE DES EREIGNISSES ENTSTANDEN SIND, DAS ZU DEN SCHÄDEN GEFÜHRT HAT; ODER 4) ENTGANGENE GESCHÄFTSABSCHLÜSSE, UMSÄTZE, SCHÄDIGUNG DES GUTEN NAMENS ODER VERLUST ERWARTETER EINSPARUNGEN.**

DIE FOLGENDEN BESTIMMUNGEN GELTEN FÜR DIE GENANNTEN LÄNDER:

ÖSTERREICH

Die Bestimmungen dieser Gewährleistung ersetzen jegliche geltenden, gesetzlich vorgesehenen Gewährleistungen.

Umfang dieser Gewährleistung: *Der folgende Satz ersetzt den ersten Satz im ersten Absatz dieses Abschnitts:*

Die Gewährleistung für eine Lenovo Maschine umfasst die Funktionalität einer Maschine bei normalem Gebrauch und die Übereinstimmung der Maschine mit ihren Spezifikationen.

Folgende Absätze werden diesem Abschnitt hinzugefügt:

Als Begrenzungszeitraum für Kunden mit laufenden Verfahren wegen Verstößen gegen die Gewährleistungsbestimmungen gilt mindestens die gesetzlich vereinbarte Zeitdauer. Ist der Service-Provider nicht in der Lage, die Lenovo Maschine zu reparieren, kann der Kunde nach seiner Wahl die Herabsetzung des Preises entsprechend der Gebrauchsminderung der nicht reparierten

Maschine oder die Rückgängigmachung des Vertrags hinsichtlich der betreffenden Maschine verlangen und sich den bezahlten Kaufpreis zurückerstatten lassen.

Der zweite Absatz entfällt.

Fehlerbehebung durch Lenovo: *Dieser Abschnitt wird wie folgt ergänzt:*

Während des Gewährleistungszeitraums wird Lenovo dem Kunden die Kosten für den Hin- und Rücktransport der fehlerhaften Maschine zurückerstatten, wenn die Reparatur beim IBM Service erfolgt.

Haftungsbegrenzung: *Der folgende Absatz wird diesem Abschnitt hinzugefügt:*

Die in dieser Gewährleistung genannten Haftungsbegrenzungen und -ausschlüsse entfallen bei Vorsatz und grober Fahrlässigkeit von Lenovo sowie bei zugesicherten Eigenschaften.

Ziffer 2 wird durch folgenden Satz ergänzt:

Lenovo haftet nur bei leicht fahrlässiger Verletzung wesentlicher Vertragspflichten.

ÄGYPTEN

Haftungsbegrenzung: *Ziffer 2 dieses Abschnitts wird wie folgt ersetzt:*

Lenovo haftet für sonstige tatsächliche direkte Schäden bis zu dem Betrag, den der Kunde für die betreffende Maschine bezahlt hat.

Anwendbarkeit für Lieferanten, Reseller und Service-Provider (unverändert).

FRANKREICH

Haftungsbegrenzung: *Der zweite Satz des ersten Absatzes dieses Abschnitts wird wie folgt ersetzt:*

Soweit der Kunde aus Verschulden von Lenovo oder aus sonstigen Gründen von Lenovo Schadensersatz verlangen kann, ist Lenovo unabhängig von der Rechtsgrundlage, auf der der Schadensersatzanspruch beruht, höchstens für folgenden Schadensersatz haftbar: (Ziffer 1 und 2 unverändert).

DEUTSCHLAND

Umfang dieser Gewährleistung: *Der folgende Satz ersetzt den ersten Satz im ersten Absatz dieses Abschnitts:*

Die Gewährleistung für eine Lenovo Maschine umfasst die Funktionalität einer Maschine bei normalem Gebrauch und die Übereinstimmung der Maschine mit ihren Spezifikationen.

Folgende Absätze werden diesem Abschnitt hinzugefügt:

Der Gewährleistungszeitraum für Maschinen beträgt mindestens zwölf Monate. Ist der Service-Provider nicht in der Lage, die Lenovo Maschine zu reparieren, kann der Kunde nach seiner Wahl die Herabsetzung des Preises entsprechend

der Gebrauchsminderung der nicht reparierten Maschine oder die Rückgängigmachung des Vertrags hinsichtlich der betreffenden Maschine verlangen und sich den bezahlten Kaufpreis zurückerstatten lassen.

Der zweite Absatz entfällt.

Fehlerbehebung durch Lenovo: *Dieser Abschnitt wird wie folgt ergänzt:*

Während des Gewährleistungszeitraums übernimmt Lenovo die Kosten für den Hin- und Rücktransport der Maschine, wenn sie bei Lenovo oder beim IBM Service repariert wird.

Haftungsbegrenzung: *Der folgende Absatz wird diesem Abschnitt hinzugefügt:*

Die in dieser Gewährleistung genannten Haftungsbegrenzungen und -ausschlüsse entfallen bei Vorsatz und grober Fahrlässigkeit von Lenovo sowie bei zugesicherten Eigenschaften.

Ziffer 2 wird durch folgenden Satz ergänzt:

Lenovo haftet nur bei leicht fahrlässiger Verletzung wesentlicher Vertragspflichten.

UNGARN

Haftungsbegrenzung: *Dieser Abschnitt wird wie folgt ergänzt:*

Die hier genannten Einschränkungen und Ausschlüsse gelten nicht bei Vertragsbruch, der zum Tode oder zu physischen und gesundheitlichen Beeinträchtigungen führt, die vorsätzlich, durch Fahrlässigkeit oder durch kriminelle Handlungen verursacht wurden.

Die Parteien akzeptieren die Verbindlichkeit der Haftungsbegrenzungen und erkennen an, dass Abschnitt 314.(2) des ungarischen Zivilrechts zur Anwendung kommt, da sowohl der Kaufpreis als auch andere Vorteile aus der vorliegenden Gewährleistung diese Haftungsbegrenzung ausgleichen.

IRLAND

Umfang dieser Gewährleistung: *Dieser Abschnitt wird wie folgt ergänzt:*

Mit Ausnahme der in diesen Gewährleistungsbestimmungen ausdrücklich genannten Ansprüche sind sämtliche gesetzlichen Ansprüche ausgeschlossen. Ausgeschlossen sind auch stillschweigende Ansprüche, jedoch ohne ihre Präjudizwirkung auf die Allgemeingültigkeit des oben Gesagten. Ausgeschlossen sind weiterhin alle Ansprüche aus dem "Sale of Goods Act 1893" und dem "Sale of Goods and Supply of Services Act 1980".

Haftungsbegrenzung: *Die Bestimmungen in diesem Abschnitt werden durch den folgenden Text vollständig ersetzt:*

Im Sinne dieses Abschnitts bedeutet "Verschulden" jede Handlung, Erklärung, Unterlassung oder jedes Versäumnis durch Lenovo im Zusammenhang mit oder in Bezug auf den Inhalt dieser Gewährleistung, für die Lenovo dem Kun-

den gegenüber rechtlich haftbar ist, entweder durch Ansprüche aus dem Vertrag oder auf Grund unerlaubter Handlungen. Mehrfaches Verschulden, das im Wesentlichen die gleichen Verluste oder Schäden verursacht, wird als einmaliges Verschulden betrachtet, wobei als Datum für das Verschulden das letzte Verschulden gilt.

Soweit der Kunde aus Verschulden von Lenovo zu Schaden gekommen sind, hat er Anspruch auf Entschädigung durch Lenovo.

Dieser Abschnitt regelt insgesamt den Haftungsumfang von Lenovo dem Kunden gegenüber.

1. Lenovo haftet unbegrenzt für Tod oder Personenschäden, soweit die Schäden fahrlässig von Lenovo verursacht wurden.
2. Unter Ausschluss der folgenden **Fälle, in denen Lenovo nicht haftbar ist**, haftet Lenovo für materielle Schäden an beweglichen Sachen nur, soweit die Schäden fahrlässig von Lenovo verursacht wurden.
3. Mit Ausnahme der Regelungen oben unter Ziffer 1 und 2 haftet Lenovo insgesamt für tatsächliche Schäden pro Verschulden höchstens bis zu 125 % des Betrags, den der Kunde für die betreffende Maschine bezahlt hat.

Fälle, in denen Lenovo nicht haftbar ist

Mit Ausnahme der Regelungen oben unter Ziffer 1 sind Lenovo, die Lieferanten, Reseller oder Service-Provider in keinem Fall haftbar für folgende Verluste, selbst wenn Lenovo, die Lieferanten, Reseller oder Service-Provider auf die Möglichkeit solcher Verluste hingewiesen wurden:

1. Verlust oder Beschädigung von Daten;
2. spezielle, mittelbare oder Folgeschäden; oder
3. entgangene Gewinne, Geschäftsabschlüsse, Umsätze, Schädigung des guten Namens oder Verlust erwarteter Einsparungen.

SLOWAKEI

Haftungsbegrenzung: *Der letzte Absatz wird wie folgt ergänzt:*

Die Einschränkungen gelten nur insoweit, als sie nicht durch §§ 373-386 des slowakischen Handelsrechts verboten sind.

SÜDAFRIKA, NAMIBIA, BOTSWANA, LESOTHO UND SWASILAND

Haftungsbegrenzung: *Dieser Abschnitt wird wie folgt ergänzt:*

Lenovo haftet insgesamt nur für tatsächliche Schäden, die aus der Nichterfüllung des Vertrags durch Lenovo im Zusammenhang mit diesen Gewährleistungsbestimmungen entstanden sind, höchstens bis zu dem Betrag, den der Kunde für die betreffende Maschine bezahlt hat.

GROSSBRITANNIEN

Haftungsbegrenzung: *Die Bestimmungen in diesem Abschnitt werden durch den folgenden Text vollständig ersetzt:*

Im Sinne dieses Abschnitts bedeutet "Verschulden" jede Handlung, Erklärung, Unterlassung oder jedes Versäumnis durch Lenovo im Zusammenhang mit oder in Bezug auf den Inhalt dieser Gewährleistung, für die Lenovo dem Kunden gegenüber rechtlich haftbar ist, entweder durch Ansprüche aus dem Vertrag oder auf Grund unerlaubter Handlungen. Mehrfaches Verschulden, das im Wesentlichen die gleichen Verluste oder Schäden verursacht, wird als einmaliges Verschulden betrachtet.

Soweit der Kunde aus Verschulden von Lenovo zu Schaden gekommen sind, hat er Anspruch auf Entschädigung durch Lenovo.

Dieser Abschnitt regelt insgesamt den Haftungsumfang von Lenovo dem Kunden gegenüber.

1. Lenovo haftet unbegrenzt für:
 - a. Tod oder Personenschäden, soweit die Schäden fahrlässig von Lenovo verursacht wurden; und
 - b. Verletzung ihrer Verpflichtungen aus Ziffer 12 des "Sale of Goods Act 1979" oder aus Ziffer 2 des "Supply of Goods and Services Act 1982" oder gesetzlicher Änderung bzw. Neuverordnung dieser Ziffern.
2. Lenovo haftet unbegrenzt, unter Ausschluss der folgenden **Fälle, in denen Lenovo nicht haftbar ist**, für materielle Schäden an beweglichen Sachen nur, soweit die Schäden fahrlässig von Lenovo verursacht wurden.
3. Mit Ausnahme der Regelungen oben unter Ziffer 1 und 2 haftet Lenovo insgesamt für tatsächliche Schäden pro Verschulden höchstens bis zu 125 % des gesamten für die betreffende Maschine zu zahlenden Kaufpreises bzw. die zu zahlenden Gebühren.

Diese Begrenzung gilt ebenso für Lenovo Lieferanten, Lenovo Reseller und Service-Provider. Dies ist der maximale Betrag, für den Lenovo, die Lieferanten, Reseller und Service-Provider insgesamt haftbar gemacht werden können.

Fälle, in denen Lenovo nicht haftbar ist

Mit Ausnahme der Regelungen oben unter Ziffer 1 sind Lenovo, die Lieferanten, Reseller oder Service-Provider in keinem Fall haftbar für folgende Verluste, selbst wenn Lenovo, die Lieferanten, Reseller oder Service-Provider auf die Möglichkeit solcher Verluste hingewiesen wurden:

1. Verlust oder Beschädigung von Daten;
2. spezielle, mittelbare oder Folgeschäden; oder
3. entgangene Gewinne, Geschäftsabschlüsse, Umsätze, Schädigung des guten Namens oder Verlust erwarteter Einsparungen.

Teil 3 - Gewährleistungsinformationen

Teil 3 enthält Informationen hinsichtlich der für die Maschine des Kunden geltenden Gewährleistung, einschließlich Gewährleistungszeitraum und Art des Gewährleistungsservice, der von Lenovo geleistet wird.

Gewährleistungszeitraum

Der Gewährleistungszeitraum, der in der nachfolgenden Tabelle angegeben ist, kann in den einzelnen Ländern und Regionen unterschiedlich sein. HINWEIS: "Region" steht für die chinesischen Sonderverwaltungsregionen Hongkong und Macao.

Eine Gewährleistung von einem Jahr für Teile und von einem Jahr für die Serviceleistungen bedeutet, dass Lenovo Gewährleistungsservice im ersten Jahr des Gewährleistungszeitraums bereitstellt.

Maschinentyp	Land oder Region des Erwerbs	Gewährleistungszeitraum	Art des Gewährleistungsservice
6490	Vereinigte Staaten von Amerika, Angola, Botsuana, Burundi, Eritrea, Äthiopien, Ghana, Kenia, Liberia, Malawi, Malta, Mosambik, Nigeria, Ruanda, Sao Tome, Sierra Leone, Somalia, Tansania, Uganda, Sambia, Simbabwe, Argentinien, Bolivien, Belize, Brasilien, Chile, Kolumbien, Costa Rica, Dominikanische Republik, Ecuador, El Salvador, Guatemala, Haiti, Honduras, Mexiko, Nicaragua, Panama, Paraguay, Peru, Uruguay, Venezuela, Europa, Naher und Mittlerer Osten, Afrika, Australien, Neuseeland, Singapur, Malaysia, Thailand, Indonesien, Philippinen, Vietnam, Brunei, Sri Lanka, Bangladesch, Indien, Korea, Hongkong (Sonderverwaltungsregion der VR China), Taiwan, VR China, Japan	Teile und Serviceleistungen - 3 Jahre	5
6491	Vereinigte Staaten von Amerika, Angola, Botsuana, Burundi, Eritrea, Äthiopien, Ghana, Kenia, Liberia, Malawi, Malta, Mosambik, Nigeria, Ruanda, Sao Tome, Sierra Leone, Somalia, Tansania, Uganda, Sambia, Simbabwe, Argentinien, Bolivien, Belize, Brasilien, Chile, Kolumbien, Costa Rica, Dominikanische Republik, Ecuador, El Salvador, Guatemala, Haiti, Honduras, Mexiko, Nicaragua, Panama, Paraguay, Peru, Uruguay, Venezuela, Europa, Naher und Mittlerer Osten, Afrika, Australien, Neuseeland, Singapur, Malaysia, Thailand, Indonesien, Philippinen, Vietnam, Brunei, Sri Lanka, Bangladesch, Indien, Korea, Hongkong (Sonderverwaltungsregion der VR China), Taiwan, VR China, Japan	Teile und Serviceleistungen - 3 Jahre	5

Maschi- nentyp	Land oder Region des Erwerbs	Gewähr- leistungs- zeitraum	Art des Gewähr- leistungs- service
8013	Vereinigte Staaten von Amerika, Angola, Botsuana, Burundi, Eritrea, Äthiopien, Ghana, Kenia, Liberia, Malawi, Malta, Mosambik, Nigeria, Ruanda, Sao Tome, Sierra Leone, Somalia, Tansania, Uganda, Sambia, Simbabwe, Argentinien, Bolivien, Belize, Brasilien, Chile, Kolumbien, Costa Rica, Dominikanische Republik, Ecuador, El Salvador, Guatemala, Haiti, Honduras, Mexiko, Nicaragua, Panama, Paraguay, Peru, Uruguay, Venezuela, Europa, Naher und Mittlerer Osten, Afrika, Australien, Neuseeland, Singapur, Malaysia, Thailand, Indonesien, Philippinen, Vietnam, Brunei, Sri Lanka, Bangladesch, Indien, Korea, Hongkong (Sonderverwaltungsregion der VR China), Taiwan, VR China	Teile und Serviceleistungen - 1 Jahr	5
8013	Japan	Teile und Serviceleistungen - 1 Jahr	6
8700	Vereinigte Staaten von Amerika, Angola, Botsuana, Burundi, Eritrea, Äthiopien, Ghana, Kenia, Liberia, Malawi, Malta, Mosambik, Nigeria, Ruanda, Sao Tome, Sierra Leone, Somalia, Tansania, Uganda, Sambia, Simbabwe, Argentinien, Bolivien, Belize, Brasilien, Chile, Kolumbien, Costa Rica, Dominikanische Republik, Ecuador, El Salvador, Guatemala, Haiti, Honduras, Mexiko, Nicaragua, Panama, Paraguay, Peru, Uruguay, Venezuela, Europa, Naher und Mittlerer Osten, Afrika, Australien, Neuseeland, Singapur, Malaysia, Thailand, Indonesien, Philippinen, Vietnam, Brunei, Sri Lanka, Bangladesch, Indien, Korea, Hongkong (Sonderverwaltungsregion der VR China), Taiwan, VR China	Teile und Serviceleistungen - 1 Jahr	5
8700	Japan	Teile und Serviceleistungen - 1 Jahr	6

Maschinentyp	Land oder Region des Erwerbs	Gewährleistungszeitraum	Art des Gewährleistungservice
8701	Vereinigte Staaten von Amerika, Angola, Botsuana, Burundi, Eritrea, Äthiopien, Ghana, Kenia, Liberia, Malawi, Malta, Mosambik, Nigeria, Ruanda, Sao Tome, Sierra Leone, Somalia, Tansania, Uganda, Sambia, Simbabwe, Argentinien, Bolivien, Belize, Brasilien, Chile, Kolumbien, Costa Rica, Dominikanische Republik, Ecuador, El Salvador, Guatemala, Haiti, Honduras, Mexiko, Nicaragua, Panama, Paraguay, Peru, Uruguay, Venezuela, Europa, Naher und Mittlerer Osten, Afrika, Australien, Neuseeland, Singapur, Malaysia, Thailand, Indonesien, Philippinen, Vietnam, Brunei, Sri Lanka, Bangladesch, Indien, Korea, Hongkong (Sonderverwaltungsregion der VR China), Taiwan, VR China	Teile und Serviceleistungen - 1 Jahr	5
8701	Japan	Teile und Serviceleistungen - 1 Jahr	6
8702	Vereinigte Staaten von Amerika, Angola, Botsuana, Burundi, Eritrea, Äthiopien, Ghana, Kenia, Liberia, Malawi, Malta, Mosambik, Nigeria, Ruanda, Sao Tome, Sierra Leone, Somalia, Tansania, Uganda, Sambia, Simbabwe, Argentinien, Bolivien, Belize, Brasilien, Chile, Kolumbien, Costa Rica, Dominikanische Republik, Ecuador, El Salvador, Guatemala, Haiti, Honduras, Mexiko, Nicaragua, Panama, Paraguay, Peru, Uruguay, Venezuela, Europa, Naher und Mittlerer Osten, Afrika, Australien, Neuseeland, Singapur, Malaysia, Thailand, Indonesien, Philippinen, Vietnam, Brunei, Sri Lanka, Bangladesch, Indien, Korea, Hongkong (Sonderverwaltungsregion der VR China), Taiwan, VR China	Teile und Serviceleistungen - 1 Jahr	5
8702	Japan	Teile und Serviceleistungen - 1 Jahr	6

Maschinentyp	Land oder Region des Erwerbs	Gewährleistungszeitraum	Art des Gewährleistungservice
8705	Vereinigte Staaten von Amerika, Angola, Botsuana, Burundi, Eritrea, Äthiopien, Ghana, Kenia, Liberia, Malawi, Malta, Mosambik, Nigeria, Ruanda, Sao Tome, Sierra Leone, Somalia, Tansania, Uganda, Sambia, Simbabwe, Argentinien, Bolivien, Belize, Brasilien, Chile, Kolumbien, Costa Rica, Dominikanische Republik, Ecuador, El Salvador, Guatemala, Haiti, Honduras, Mexiko, Nicaragua, Panama, Paraguay, Peru, Uruguay, Venezuela, Europa, Naher und Mittlerer Osten, Afrika, Australien, Neuseeland, Singapur, Malaysia, Thailand, Indonesien, Philippinen, Vietnam, Brunei, Sri Lanka, Bangladesch, Indien, Korea, Hongkong (Sonderverwaltungsregion der VR China), Taiwan, VR China	Teile und Serviceleistungen - 1 Jahr	5
8705	Japan	Teile und Serviceleistungen - 1 Jahr	6
8706	Vereinigte Staaten von Amerika, Angola, Botsuana, Burundi, Eritrea, Äthiopien, Ghana, Kenia, Liberia, Malawi, Malta, Mosambik, Nigeria, Ruanda, Sao Tome, Sierra Leone, Somalia, Tansania, Uganda, Sambia, Simbabwe, Argentinien, Bolivien, Belize, Brasilien, Chile, Kolumbien, Costa Rica, Dominikanische Republik, Ecuador, El Salvador, Guatemala, Haiti, Honduras, Mexiko, Nicaragua, Panama, Paraguay, Peru, Uruguay, Venezuela, Europa, Naher und Mittlerer Osten, Afrika, Australien, Neuseeland, Singapur, Malaysia, Thailand, Indonesien, Philippinen, Vietnam, Brunei, Sri Lanka, Bangladesch, Indien, Korea, Hongkong (Sonderverwaltungsregion der VR China), Taiwan, VR China	Teile und Serviceleistungen - 1 Jahr	5
8706	Japan	Teile und Serviceleistungen - 1 Jahr	6
8716	Europa, Naher und Mittlerer Osten, Afrika	Teile und Serviceleistungen - 1 Jahr	7
8717	Europa, Naher und Mittlerer Osten, Afrika	Teile und Serviceleistungen - 1 Jahr	7

Maschi- nentyp	Land oder Region des Erwerbs	Gewähr- leistungs- zeitraum	Art des Gewähr- leistungs- service
8970	Europa, Naher und Mittlerer Osten, Afrika	Teile und Service- leistungen - 1 Jahr	7
8972	Europa, Naher und Mittlerer Osten, Afrika	Teile und Service- leistungen - 1 Jahr	7
8973	Europa, Naher und Mittlerer Osten, Afrika	Teile und Service- leistungen - 1 Jahr	7
8975	Europa, Naher und Mittlerer Osten, Afrika	Teile und Service- leistungen - 1 Jahr	7
8976	Australien, Neuseeland, Singapur, Malaysia, Thailand, Indonesien, Philippinen, Vietnam, Brunei, Sri Lanka, Bangladesch, Indien, Korea, Hongkong (Sonderverwaltungsregion der VR China), Taiwan, VR China	Teile - 3 Jahre Service- leistungen - 1 Jahr	5
8976	Europa, Naher und Mittlerer Osten, Afrika	Teile und Service- leistungen - 3 Jahre	7
8979	Australien, Neuseeland, Singapur, Malaysia, Thailand, Indonesien, Philippinen, Vietnam, Brunei, Sri Lanka, Bangladesch, Indien, Korea, Hongkong (Sonderverwaltungsregion der VR China), Taiwan, VR China	Teile - 3 Jahre Service- leistungen - 1 Jahr	5
8979	Europa, Naher und Mittlerer Osten, Afrika	Teile und Service- leistungen - 3 Jahre	7
8980	Australien, Neuseeland, Singapur, Malaysia, Thailand, Indonesien, Philippinen, Vietnam, Brunei, Sri Lanka, Bangladesch, Indien, Korea, Hongkong (Sonderverwaltungsregion der VR China), Taiwan, VR China	Teile - 3 Jahre Service- leistungen - 1 Jahr	5
8980	Europa, Naher und Mittlerer Osten, Afrika	Teile und Service- leistungen - 3 Jahre	7

Maschinentyp	Land oder Region des Erwerbs	Gewährleistungszeitraum	Art des Gewährleistungsservice
8982	Australien, Neuseeland, Singapur, Malaysia, Thailand, Indonesien, Philippinen, Vietnam, Brunei, Sri Lanka, Bangladesch, Indien, Korea, Hongkong (Sonderverwaltungsregion der VR China), Taiwan, VR China	Teile - 3 Jahre Serviceleistungen - 1 Jahr	5
8982	Europa, Naher und Mittlerer Osten, Afrika	Teile und Serviceleistungen - 3 Jahre	7
8983	Australien, Neuseeland, Singapur, Malaysia, Thailand, Indonesien, Philippinen, Vietnam, Brunei, Sri Lanka, Bangladesch, Indien, Korea, Hongkong (Sonderverwaltungsregion der VR China), Taiwan, VR China	Teile - 3 Jahre Serviceleistungen - 1 Jahr	5
8983	Europa, Naher und Mittlerer Osten, Afrika	Teile und Serviceleistungen - 3 Jahre	7
8985	Australien, Neuseeland, Singapur, Malaysia, Thailand, Indonesien, Philippinen, Vietnam, Brunei, Sri Lanka, Bangladesch, Indien, Korea, Hongkong (Sonderverwaltungsregion der VR China), Taiwan, VR China	Teile - 3 Jahre Serviceleistungen - 1 Jahr	5
8985	Europa, Naher und Mittlerer Osten, Afrika	Teile und Serviceleistungen - 3 Jahre	7
8986	Vereinigte Staaten von Amerika, Angola, Botsuana, Burundi, Eritrea, Äthiopien, Ghana, Kenia, Liberia, Malawi, Malta, Mosambik, Nigeria, Ruanda, Sao Tome, Sierra Leone, Somalia, Tansania, Uganda, Sambia, Simbabwe, Argentinien, Bolivien, Belize, Brasilien, Chile, Kolumbien, Costa Rica, Dominikanische Republik, Ecuador, El Salvador, Guatemala, Haiti, Honduras, Mexiko, Nicaragua, Panama, Paraguay, Peru, Uruguay, Venezuela, Europa, Naher und Mittlerer Osten, Afrika, Australien, Neuseeland, Singapur, Malaysia, Thailand, Indonesien, Philippinen, Vietnam, Brunei, Sri Lanka, Bangladesch, Korea, Hongkong (Sonderverwaltungsregion der VR China), Taiwan, VR China	Teile und Serviceleistungen - 3 Jahre	5

Maschi- nentyp	Land oder Region des Erwerbs	Gewähr- leistungs- zeitraum	Art des Gewähr- leistungs- service
8991	Vereinigte Staaten von Amerika, Angola, Botsuana, Burundi, Eritrea, Äthiopien, Ghana, Kenia, Liberia, Malawi, Malta, Mosambik, Nigeria, Ruanda, Sao Tome, Sierra Leone, Somalia, Tansania, Uganda, Sambia, Simbabwe, Argentinien, Bolivien, Belize, Brasilien, Chile, Kolumbien, Costa Rica, Dominikanische Republik, Ecuador, El Salvador, Guatemala, Haiti, Honduras, Mexiko, Nicaragua, Panama, Paraguay, Peru, Uruguay, Venezuela, Europa, Naher und Mittlerer Osten, Afrika, Australien, Neuseeland, Singapur, Malaysia, Thailand, Indonesien, Philippinen, Vietnam, Brunei, Sri Lanka, Bangladesch, Korea, Hongkong (Sonderverwaltungsregion der VR China), Taiwan, VR China	Teile und Serviceleistungen - 3 Jahre	5
8992	Vereinigte Staaten von Amerika, Angola, Botsuana, Burundi, Eritrea, Äthiopien, Ghana, Kenia, Liberia, Malawi, Malta, Mosambik, Nigeria, Ruanda, Sao Tome, Sierra Leone, Somalia, Tansania, Uganda, Sambia, Simbabwe, Argentinien, Bolivien, Belize, Brasilien, Chile, Kolumbien, Costa Rica, Dominikanische Republik, Ecuador, El Salvador, Guatemala, Haiti, Honduras, Mexiko, Nicaragua, Panama, Paraguay, Peru, Uruguay, Venezuela, Europa, Naher und Mittlerer Osten, Afrika, Australien, Neuseeland, Singapur, Malaysia, Thailand, Indonesien, Philippinen, Vietnam, Brunei, Sri Lanka, Bangladesch, Korea, Hongkong (Sonderverwaltungsregion der VR China), Taiwan, VR China	Teile und Serviceleistungen - 3 Jahre	5
8994	Vereinigte Staaten von Amerika, Angola, Botsuana, Burundi, Eritrea, Äthiopien, Ghana, Kenia, Liberia, Malawi, Malta, Mosambik, Nigeria, Ruanda, Sao Tome, Sierra Leone, Somalia, Tansania, Uganda, Sambia, Simbabwe, Argentinien, Bolivien, Belize, Brasilien, Chile, Kolumbien, Costa Rica, Dominikanische Republik, Ecuador, El Salvador, Guatemala, Haiti, Honduras, Mexiko, Nicaragua, Panama, Paraguay, Peru, Uruguay, Venezuela, Europa, Naher und Mittlerer Osten, Afrika, Australien, Neuseeland, Singapur, Malaysia, Thailand, Indonesien, Philippinen, Vietnam, Brunei, Sri Lanka, Bangladesch, Korea, Hongkong (Sonderverwaltungsregion der VR China), Taiwan, VR China	Teile und Serviceleistungen - 3 Jahre	5

Maschinentyp	Land oder Region des Erwerbs	Gewährleistungszeitraum	Art des Gewährleistungsservice
8995	Vereinigte Staaten von Amerika, Angola, Botsuana, Burundi, Eritrea, Äthiopien, Ghana, Kenia, Liberia, Malawi, Malta, Mosambik, Nigeria, Ruanda, Sao Tome, Sierra Leone, Somalia, Tansania, Uganda, Sambia, Simbabwe, Argentinien, Bolivien, Belize, Brasilien, Chile, Kolumbien, Costa Rica, Dominikanische Republik, Ecuador, El Salvador, Guatemala, Haiti, Honduras, Mexiko, Nicaragua, Panama, Paraguay, Peru, Uruguay, Venezuela, Europa, Naher und Mittlerer Osten, Afrika, Australien, Neuseeland, Singapur, Malaysia, Thailand, Indonesien, Philippinen, Vietnam, Brunei, Sri Lanka, Bangladesch, Korea, Hongkong (Sonderverwaltungsregion der VR China), Taiwan, VR China	Teile und Serviceleistungen - 3 Jahre	5
9265	Vereinigte Staaten von Amerika, Angola, Botsuana, Burundi, Eritrea, Äthiopien, Ghana, Kenia, Liberia, Malawi, Malta, Mosambik, Nigeria, Ruanda, Sao Tome, Sierra Leone, Somalia, Tansania, Uganda, Sambia, Simbabwe, Argentinien, Bolivien, Belize, Brasilien, Chile, Kolumbien, Costa Rica, Dominikanische Republik, Ecuador, El Salvador, Guatemala, Haiti, Honduras, Mexiko, Nicaragua, Panama, Paraguay, Peru, Uruguay, Venezuela, Europa, Naher und Mittlerer Osten, Afrika, Australien, Neuseeland, Singapur, Malaysia, Thailand, Indonesien, Philippinen, Vietnam, Brunei, Sri Lanka, Bangladesch, Korea, Hongkong (Sonderverwaltungsregion der VR China), Taiwan, VR China	Teile und Serviceleistungen - 3 Jahre	5
9266	Vereinigte Staaten von Amerika, Angola, Botsuana, Burundi, Eritrea, Äthiopien, Ghana, Kenia, Liberia, Malawi, Malta, Mosambik, Nigeria, Ruanda, Sao Tome, Sierra Leone, Somalia, Tansania, Uganda, Sambia, Simbabwe, Argentinien, Bolivien, Belize, Brasilien, Chile, Kolumbien, Costa Rica, Dominikanische Republik, Ecuador, El Salvador, Guatemala, Haiti, Honduras, Mexiko, Nicaragua, Panama, Paraguay, Peru, Uruguay, Venezuela, Europa, Naher und Mittlerer Osten, Afrika, Australien, Neuseeland, Singapur, Malaysia, Thailand, Indonesien, Philippinen, Vietnam, Brunei, Sri Lanka, Bangladesch, Indien, Korea, Hongkong (Sonderverwaltungsregion der VR China), Taiwan	Teile und Serviceleistungen - 1 Jahr	5

Maschinentyp	Land oder Region des Erwerbs	Gewährleistungszeitraum	Art des Gewährleistungsservice
9266	Japan	Teile und Serviceleistungen - 1 Jahr	6
9269	Vereinigte Staaten von Amerika, Angola, Botsuana, Burundi, Eritrea, Äthiopien, Ghana, Kenia, Liberia, Malawi, Malta, Mosambik, Nigeria, Ruanda, Sao Tome, Sierra Leone, Somalia, Tansania, Uganda, Sambia, Simbabwe, Argentinien, Bolivien, Belize, Brasilien, Chile, Kolumbien, Costa Rica, Dominikanische Republik, Ecuador, El Salvador, Guatemala, Haiti, Honduras, Mexiko, Nicaragua, Panama, Paraguay, Peru, Uruguay, Venezuela, Europa, Naher und Mittlerer Osten, Afrika, Australien, Neuseeland, Singapur, Malaysia, Thailand, Indonesien, Philippinen, Vietnam, Brunei, Sri Lanka, Bangladesch, Indien, Korea, Hongkong (Sonderverwaltungsregion der VR China), Taiwan	Teile und Serviceleistungen - 1 Jahr	5
9269	Japan	Teile und Serviceleistungen - 1 Jahr	6
9276	Vereinigte Staaten von Amerika, Angola, Botsuana, Burundi, Eritrea, Äthiopien, Ghana, Kenia, Liberia, Malawi, Malta, Mosambik, Nigeria, Ruanda, Sao Tome, Sierra Leone, Somalia, Tansania, Uganda, Sambia, Simbabwe, Argentinien, Bolivien, Belize, Brasilien, Chile, Kolumbien, Costa Rica, Dominikanische Republik, Ecuador, El Salvador, Guatemala, Haiti, Honduras, Mexiko, Nicaragua, Panama, Paraguay, Peru, Uruguay, Venezuela, Europa, Naher und Mittlerer Osten, Afrika, Australien, Neuseeland, Singapur, Malaysia, Thailand, Indonesien, Philippinen, Vietnam, Brunei, Sri Lanka, Bangladesch, Indien, Korea, Hongkong (Sonderverwaltungsregion der VR China), Taiwan	Teile und Serviceleistungen - 1 Jahr	5
9276	Japan	Teile und Serviceleistungen - 1 Jahr	6

Maschi- nentyp	Land oder Region des Erwerbs	Gewähr- leistungs- zeitraum	Art des Gewähr- leistungs- service
9277	Vereinigte Staaten von Amerika, Angola, Botsuana, Burundi, Eritrea, Äthiopien, Ghana, Kenia, Liberia, Malawi, Malta, Mosambik, Nigeria, Ruanda, Sao Tome, Sierra Leone, Somalia, Tansania, Uganda, Sambia, Simbabwe, Argentinien, Bolivien, Belize, Brasilien, Chile, Kolumbien, Costa Rica, Dominikanische Republik, Ecuador, El Salvador, Guatemala, Haiti, Honduras, Mexiko, Nicaragua, Panama, Paraguay, Peru, Uruguay, Venezuela, Europa, Naher und Mittlerer Osten, Afrika, Australien, Neuseeland, Singapur, Malaysia, Thailand, Indonesien, Philippinen, Vietnam, Brunei, Sri Lanka, Bangladesch, Indien, Korea, Hongkong (Sonderverwaltungsregion der VR China), Taiwan	Teile und Serviceleistungen - 1 Jahr	5
9277	Japan	Teile und Serviceleistungen - 1 Jahr	6
9278	Vereinigte Staaten von Amerika, Angola, Botsuana, Burundi, Eritrea, Äthiopien, Ghana, Kenia, Liberia, Malawi, Malta, Mosambik, Nigeria, Ruanda, Sao Tome, Sierra Leone, Somalia, Tansania, Uganda, Sambia, Simbabwe, Argentinien, Bolivien, Belize, Brasilien, Chile, Kolumbien, Costa Rica, Dominikanische Republik, Ecuador, El Salvador, Guatemala, Haiti, Honduras, Mexiko, Nicaragua, Panama, Paraguay, Peru, Uruguay, Venezuela, Europa, Naher und Mittlerer Osten, Afrika, Australien, Neuseeland, Singapur, Malaysia, Thailand, Indonesien, Philippinen, Vietnam, Brunei, Sri Lanka, Bangladesch, Indien, Korea, Hongkong (Sonderverwaltungsregion der VR China), Taiwan	Teile und Serviceleistungen - 1 Jahr	5
9278	Japan	Teile und Serviceleistungen - 1 Jahr	6

Maschinentyp	Land oder Region des Erwerbs	Gewährleistungszeitraum	Art des Gewährleistungservice
9279	Vereinigte Staaten von Amerika, Angola, Botsuana, Burundi, Eritrea, Äthiopien, Ghana, Kenia, Liberia, Malawi, Malta, Mosambik, Nigeria, Ruanda, Sao Tome, Sierra Leone, Somalia, Tansania, Uganda, Sambia, Simbabwe, Argentinien, Bolivien, Belize, Brasilien, Chile, Kolumbien, Costa Rica, Dominikanische Republik, Ecuador, El Salvador, Guatemala, Haiti, Honduras, Mexiko, Nicaragua, Panama, Paraguay, Peru, Uruguay, Venezuela, Europa, Naher und Mittlerer Osten, Afrika, Australien, Neuseeland, Singapur, Malaysia, Thailand, Indonesien, Philippinen, Vietnam, Brunei, Sri Lanka, Bangladesch, Indien, Korea, Hongkong (Sonderverwaltungsregion der VR China), Taiwan	Teile und Serviceleistungen - 1 Jahr	5
9279	Japan	Teile und Serviceleistungen - 1 Jahr	6
9282	Argentinien, Bolivien, Belize, Brasilien, Chile, Kolumbien, Costa Rica, Dominikanische Republik, Ecuador, El Salvador, Guatemala, Haiti, Honduras, Mexiko, Nicaragua, Panama, Paraguay, Peru, Uruguay, Venezuela, Europa, Naher und Mittlerer Osten, Afrika	Teile und Serviceleistungen - 1 Jahr	7
9283	Argentinien, Bolivien, Belize, Brasilien, Chile, Kolumbien, Costa Rica, Dominikanische Republik, Ecuador, El Salvador, Guatemala, Haiti, Honduras, Mexiko, Nicaragua, Panama, Paraguay, Peru, Uruguay, Venezuela, Europa, Naher und Mittlerer Osten, Afrika	Teile und Serviceleistungen - 1 Jahr	7
9286	Argentinien, Bolivien, Belize, Brasilien, Chile, Kolumbien, Costa Rica, Dominikanische Republik, Ecuador, El Salvador, Guatemala, Haiti, Honduras, Mexiko, Nicaragua, Panama, Paraguay, Peru, Uruguay, Venezuela, Europa, Naher und Mittlerer Osten, Afrika	Teile und Serviceleistungen - 1 Jahr	7
9287	Argentinien, Bolivien, Belize, Brasilien, Chile, Kolumbien, Costa Rica, Dominikanische Republik, Ecuador, El Salvador, Guatemala, Haiti, Honduras, Mexiko, Nicaragua, Panama, Paraguay, Peru, Uruguay, Venezuela, Europa, Naher und Mittlerer Osten, Afrika	Teile und Serviceleistungen - 1 Jahr	7

Maschinentyp	Land oder Region des Erwerbs	Gewährleistungszeitraum	Art des Gewährleistungsservice
9288	Argentinien, Bolivien, Belize, Brasilien, Chile, Kolumbien, Costa Rica, Dominikanische Republik, Ecuador, El Salvador, Guatemala, Haiti, Honduras, Mexiko, Nicaragua, Panama, Paraguay, Peru, Uruguay, Venezuela, Europa, Naher und Mittlerer Osten, Afrika	Teile und Serviceleistungen - 1 Jahr	7
9374	Australien, Neuseeland, Singapur, Malaysia, Thailand, Indonesien, Philippinen, Vietnam, Brunei, Sri Lanka, Bangladesch, Indien, Korea, Hongkong (Sonderverwaltungsregion der VR China), Taiwan, VR China	Teile - 3 Jahre Serviceleistungen - 1 Jahr	5
9374	Europa, Naher und Mittlerer Osten, Afrika	Teile und Serviceleistungen - 3 Jahre	7
9378	Australien, Neuseeland, Singapur, Malaysia, Thailand, Indonesien, Philippinen, Vietnam, Brunei, Sri Lanka, Bangladesch, Indien, Korea, Hongkong (Sonderverwaltungsregion der VR China), Taiwan, VR China	Teile - 3 Jahre Serviceleistungen - 1 Jahr	5
9378	Europa, Naher und Mittlerer Osten, Afrika	Teile und Serviceleistungen - 3 Jahre	7
9379	Argentinien, Bolivien, Belize, Brasilien, Chile, Kolumbien, Costa Rica, Dominikanische Republik, Ecuador, El Salvador, Guatemala, Haiti, Honduras, Mexiko, Nicaragua, Panama, Paraguay, Peru, Uruguay, Venezuela, Europa, Naher und Mittlerer Osten, Afrika	Teile und Serviceleistungen - 1 Jahr	7
9380	Australien, Neuseeland, Singapur, Malaysia, Thailand, Indonesien, Philippinen, Vietnam, Brunei, Sri Lanka, Bangladesch, Indien, Korea, Hongkong (Sonderverwaltungsregion der VR China), Taiwan, VR China	Teile - 3 Jahre Serviceleistungen - 1 Jahr	5
9380	Europa, Naher und Mittlerer Osten, Afrika	Teile und Serviceleistungen - 3 Jahre	7
9383	Australien, Neuseeland, Singapur, Malaysia, Thailand, Indonesien, Philippinen, Vietnam, Brunei, Sri Lanka, Bangladesch, Indien, Korea, Hongkong (Sonderverwaltungsregion der VR China), Taiwan, VR China	Teile - 3 Jahre Serviceleistungen - 1 Jahr	5

Maschinentyp	Land oder Region des Erwerbs	Gewährleistungszeitraum	Art des Gewährleistungsservice
9383	Europa, Naher und Mittlerer Osten, Afrika	Teile und Serviceleistungen - 3 Jahre	7
9384	Vereinigte Staaten von Amerika, Angola, Botsuana, Burundi, Eritrea, Äthiopien, Ghana, Kenia, Liberia, Malawi, Malta, Mosambik, Nigeria, Ruanda, Sao Tome, Sierra Leone, Somalia, Tansania, Uganda, Sambia, Simbabwe, Argentinien, Bolivien, Belize, Brasilien, Chile, Kolumbien, Costa Rica, Dominikanische Republik, Ecuador, El Salvador, Guatemala, Haiti, Honduras, Mexiko, Nicaragua, Panama, Paraguay, Peru, Uruguay, Venezuela, Europa, Naher und Mittlerer Osten, Afrika, Australien, Neuseeland, Singapur, Malaysia, Thailand, Indonesien, Philippinen, Vietnam, Brunei, Sri Lanka, Bangladesch, Indien, Korea, Hongkong (Sonderverwaltungsregion der VR China), Taiwan, VR China	Teile und Serviceleistungen - 3 Jahre	5
9387	Australien, Neuseeland, Singapur, Malaysia, Thailand, Indonesien, Philippinen, Vietnam, Brunei, Sri Lanka, Bangladesch, Indien, Korea, Hongkong (Sonderverwaltungsregion der VR China), Taiwan, VR China	Teile - 3 Jahre Serviceleistungen - 1 Jahr	5
9387	Europa, Naher und Mittlerer Osten, Afrika	Teile und Serviceleistungen - 3 Jahre	7
9389	Australien, Neuseeland, Singapur, Malaysia, Thailand, Indonesien, Philippinen, Vietnam, Brunei, Sri Lanka, Bangladesch, Indien, Korea, Hongkong (Sonderverwaltungsregion der VR China), Taiwan, VR China	Teile - 3 Jahre Serviceleistungen - 1 Jahr	5
9389	Europa, Naher und Mittlerer Osten, Afrika	Teile und Serviceleistungen - 3 Jahre	7

Maschinentyp	Land oder Region des Erwerbs	Gewährleistungszeitraum	Art des Gewährleistungservice
9628	Vereinigte Staaten von Amerika, Angola, Botsuana, Burundi, Eritrea, Äthiopien, Ghana, Kenia, Liberia, Malawi, Malta, Mosambik, Nigeria, Ruanda, Sao Tome, Sierra Leone, Somalia, Tansania, Uganda, Sambia, Simbabwe, Argentinien, Bolivien, Belize, Brasilien, Chile, Kolumbien, Costa Rica, Dominikanische Republik, Ecuador, El Salvador, Guatemala, Haiti, Honduras, Mexiko, Nicaragua, Panama, Paraguay, Peru, Uruguay, Venezuela, Europa, Naher und Mittlerer Osten, Afrika, Australien, Neuseeland, Singapur, Malaysia, Thailand, Indonesien, Philippinen, Vietnam, Brunei, Sri Lanka, Bangladesch, Indien, Korea, Hongkong (Sonderverwaltungsregion der VR China), Taiwan, VR China	Teile und Serviceleistungen - 3 Jahre	5
9631	Vereinigte Staaten von Amerika, Angola, Botsuana, Burundi, Eritrea, Äthiopien, Ghana, Kenia, Liberia, Malawi, Malta, Mosambik, Nigeria, Ruanda, Sao Tome, Sierra Leone, Somalia, Tansania, Uganda, Sambia, Simbabwe, Argentinien, Bolivien, Belize, Brasilien, Chile, Kolumbien, Costa Rica, Dominikanische Republik, Ecuador, El Salvador, Guatemala, Haiti, Honduras, Mexiko, Nicaragua, Panama, Paraguay, Peru, Uruguay, Venezuela, Europa, Naher und Mittlerer Osten, Afrika, Australien, Neuseeland, Singapur, Malaysia, Thailand, Indonesien, Philippinen, Vietnam, Brunei, Sri Lanka, Bangladesch, Indien, Korea, Hongkong (Sonderverwaltungsregion der VR China), Taiwan, VR China	Teile und Serviceleistungen - 3 Jahre	5
9632	Vereinigte Staaten von Amerika, Angola, Botsuana, Burundi, Eritrea, Äthiopien, Ghana, Kenia, Liberia, Malawi, Malta, Mosambik, Nigeria, Ruanda, Sao Tome, Sierra Leone, Somalia, Tansania, Uganda, Sambia, Simbabwe, Argentinien, Bolivien, Belize, Brasilien, Chile, Kolumbien, Costa Rica, Dominikanische Republik, Ecuador, El Salvador, Guatemala, Haiti, Honduras, Mexiko, Nicaragua, Panama, Paraguay, Peru, Uruguay, Venezuela, Europa, Naher und Mittlerer Osten, Afrika, Australien, Neuseeland, Singapur, Malaysia, Thailand, Indonesien, Philippinen, Vietnam, Brunei, Sri Lanka, Bangladesch, Indien, Korea, Hongkong (Sonderverwaltungsregion der VR China), Taiwan, VR China	Teile und Serviceleistungen - 3 Jahre	5

Maschinentyp	Land oder Region des Erwerbs	Gewährleistungszeitraum	Art des Gewährleistungservice
9635	Vereinigte Staaten von Amerika, Angola, Botsuana, Burundi, Eritrea, Äthiopien, Ghana, Kenia, Liberia, Malawi, Malta, Mosambik, Nigeria, Ruanda, Sao Tome, Sierra Leone, Somalia, Tansania, Uganda, Sambia, Simbabwe, Argentinien, Bolivien, Belize, Brasilien, Chile, Kolumbien, Costa Rica, Dominikanische Republik, Ecuador, El Salvador, Guatemala, Haiti, Honduras, Mexiko, Nicaragua, Panama, Paraguay, Peru, Uruguay, Venezuela, Europa, Naher und Mittlerer Osten, Afrika, Australien, Neuseeland, Singapur, Malaysia, Thailand, Indonesien, Philippinen, Vietnam, Brunei, Sri Lanka, Bangladesch, Indien, Korea, Hongkong (Sonderverwaltungsregion der VR China), Taiwan, VR China	Teile und Serviceleistungen - 3 Jahre	5
9636	Vereinigte Staaten von Amerika, Angola, Botsuana, Burundi, Eritrea, Äthiopien, Ghana, Kenia, Liberia, Malawi, Malta, Mosambik, Nigeria, Ruanda, Sao Tome, Sierra Leone, Somalia, Tansania, Uganda, Sambia, Simbabwe, Argentinien, Bolivien, Belize, Brasilien, Chile, Kolumbien, Costa Rica, Dominikanische Republik, Ecuador, El Salvador, Guatemala, Haiti, Honduras, Mexiko, Nicaragua, Panama, Paraguay, Peru, Uruguay, Venezuela, Europa, Naher und Mittlerer Osten, Afrika, Australien, Neuseeland, Singapur, Malaysia, Thailand, Indonesien, Philippinen, Vietnam, Brunei, Sri Lanka, Bangladesch, Indien, Korea, Hongkong (Sonderverwaltungsregion der VR China), Taiwan, VR China	Teile und Serviceleistungen - 1 Jahr	5
9636	Japan	Teile und Serviceleistungen - 1 Jahr	6

Maschi- nentyp	Land oder Region des Erwerbs	Gewähr- leistungs- zeitraum	Art des Gewähr- leistungs- service
9637	Vereinigte Staaten von Amerika, Angola, Botsuana, Burundi, Eritrea, Äthiopien, Ghana, Kenia, Liberia, Malawi, Malta, Mosambik, Nigeria, Ruanda, Sao Tome, Sierra Leone, Somalia, Tansania, Uganda, Sambia, Simbabwe, Argentinien, Bolivien, Belize, Brasilien, Chile, Kolumbien, Costa Rica, Dominikanische Republik, Ecuador, El Salvador, Guatemala, Haiti, Honduras, Mexiko, Nicaragua, Panama, Paraguay, Peru, Uruguay, Venezuela, Europa, Naher und Mittlerer Osten, Afrika, Australien, Neuseeland, Singapur, Malaysia, Thailand, Indonesien, Philippinen, Vietnam, Brunei, Sri Lanka, Bangladesch, Indien, Korea, Hongkong (Sonderverwaltungsregion der VR China), Taiwan, VR China	Teile und Serviceleistungen - 3 Jahre	5
9638	Europa, Naher und Mittlerer Osten, Afrika	Teile und Serviceleistungen - 1 Jahr	7
9640	Australien, Neuseeland, Singapur, Malaysia, Thailand, Indonesien, Philippinen, Vietnam, Brunei, Sri Lanka, Bangladesch, Indien, Korea, Hongkong (Sonderverwaltungsregion der VR China), Taiwan, VR China	Teile - 3 Jahre Serviceleistungen - 1 Jahr	5
9640	Europa, Naher und Mittlerer Osten, Afrika	Teile und Serviceleistungen - 3 Jahre	7
9641	Vereinigte Staaten von Amerika, Angola, Botsuana, Burundi, Eritrea, Äthiopien, Ghana, Kenia, Liberia, Malawi, Malta, Mosambik, Nigeria, Ruanda, Sao Tome, Sierra Leone, Somalia, Tansania, Uganda, Sambia, Simbabwe, Argentinien, Bolivien, Belize, Brasilien, Chile, Kolumbien, Costa Rica, Dominikanische Republik, Ecuador, El Salvador, Guatemala, Haiti, Honduras, Mexiko, Nicaragua, Panama, Paraguay, Peru, Uruguay, Venezuela, Europa, Naher und Mittlerer Osten, Afrika, Australien, Neuseeland, Singapur, Malaysia, Thailand, Indonesien, Philippinen, Vietnam, Brunei, Sri Lanka, Bangladesch, Korea, Hongkong (Sonderverwaltungsregion der VR China), Taiwan, VR China	Teile und Serviceleistungen - 3 Jahre	5

Maschinentyp	Land oder Region des Erwerbs	Gewährleistungszeitraum	Art des Gewährleistungsservice
9642	Vereinigte Staaten von Amerika, Angola, Botsuana, Burundi, Eritrea, Äthiopien, Ghana, Kenia, Liberia, Malawi, Malta, Mosambik, Nigeria, Ruanda, Sao Tome, Sierra Leone, Somalia, Tansania, Uganda, Sambia, Simbabwe, Argentinien, Bolivien, Belize, Brasilien, Chile, Kolumbien, Costa Rica, Dominikanische Republik, Ecuador, El Salvador, Guatemala, Haiti, Honduras, Mexiko, Nicaragua, Panama, Paraguay, Peru, Uruguay, Venezuela, Europa, Naher und Mittlerer Osten, Afrika, Australien, Neuseeland, Singapur, Malaysia, Thailand, Indonesien, Philippinen, Vietnam, Brunei, Sri Lanka, Bangladesch, Indien, Korea, Hongkong (Sonderverwaltungsregion der VR China), Taiwan	Teile und Serviceleistungen - 1 Jahr	5
9642	Japan	Teile und Serviceleistungen - 1 Jahr	6
9643	Argentinien, Bolivien, Belize, Brasilien, Chile, Kolumbien, Costa Rica, Dominikanische Republik, Ecuador, El Salvador, Guatemala, Haiti, Honduras, Mexiko, Nicaragua, Panama, Paraguay, Peru, Uruguay, Venezuela, Europa, Naher und Mittlerer Osten, Afrika	Teile und Serviceleistungen - 1 Jahr	7
9644	Australien, Neuseeland, Singapur, Malaysia, Thailand, Indonesien, Philippinen, Vietnam, Brunei, Sri Lanka, Bangladesch, Indien, Korea, Hongkong (Sonderverwaltungsregion der VR China), Taiwan, VR China	Teile - 3 Jahre Serviceleistungen - 1 Jahr	5
9644	Europa, Naher und Mittlerer Osten, Afrika	Teile und Serviceleistungen - 3 Jahre	7

Maschinentyp	Land oder Region des Erwerbs	Gewährleistungszeitraum	Art des Gewährleistungsservice
9645	Vereinigte Staaten von Amerika, Angola, Botsuana, Burundi, Eritrea, Äthiopien, Ghana, Kenia, Liberia, Malawi, Malta, Mosambik, Nigeria, Ruanda, Sao Tome, Sierra Leone, Somalia, Tansania, Uganda, Sambia, Simbabwe, Argentinien, Bolivien, Belize, Brasilien, Chile, Kolumbien, Costa Rica, Dominikanische Republik, Ecuador, El Salvador, Guatemala, Haiti, Honduras, Mexiko, Nicaragua, Panama, Paraguay, Peru, Uruguay, Venezuela, Europa, Naher und Mittlerer Osten, Afrika, Australien, Neuseeland, Singapur, Malaysia, Thailand, Indonesien, Philippinen, Vietnam, Brunei, Sri Lanka, Bangladesch, Indien, Korea, Hongkong (Sonderverwaltungsregion der VR China), Taiwan, VR China	Teile und Serviceleistungen - 3 Jahre	5
9646	Vereinigte Staaten von Amerika, Angola, Botsuana, Burundi, Eritrea, Äthiopien, Ghana, Kenia, Liberia, Malawi, Malta, Mosambik, Nigeria, Ruanda, Sao Tome, Sierra Leone, Somalia, Tansania, Uganda, Sambia, Simbabwe, Argentinien, Bolivien, Belize, Brasilien, Chile, Kolumbien, Costa Rica, Dominikanische Republik, Ecuador, El Salvador, Guatemala, Haiti, Honduras, Mexiko, Nicaragua, Panama, Paraguay, Peru, Uruguay, Venezuela, Europa, Naher und Mittlerer Osten, Afrika, Australien, Neuseeland, Singapur, Malaysia, Thailand, Indonesien, Philippinen, Vietnam, Brunei, Sri Lanka, Bangladesch, Indien, Korea, Hongkong (Sonderverwaltungsregion der VR China), Taiwan, VR China, Japan	Teile und Serviceleistungen - 4 Jahre	5
9647	Vereinigte Staaten von Amerika, Angola, Botsuana, Burundi, Eritrea, Äthiopien, Ghana, Kenia, Liberia, Malawi, Malta, Mosambik, Nigeria, Ruanda, Sao Tome, Sierra Leone, Somalia, Tansania, Uganda, Sambia, Simbabwe, Argentinien, Bolivien, Belize, Brasilien, Chile, Kolumbien, Costa Rica, Dominikanische Republik, Ecuador, El Salvador, Guatemala, Haiti, Honduras, Mexiko, Nicaragua, Panama, Paraguay, Peru, Uruguay, Venezuela, Europa, Naher und Mittlerer Osten, Afrika, Australien, Neuseeland, Singapur, Malaysia, Thailand, Indonesien, Philippinen, Vietnam, Brunei, Sri Lanka, Bangladesch, Indien, Korea, Hongkong (Sonderverwaltungsregion der VR China), Taiwan, VR China, Japan	Teile und Serviceleistungen - 4 Jahre	5

Maschinentyp	Land oder Region des Erwerbs	Gewährleistungszeitraum	Art des Gewährleistungsservice
9648	Vereinigte Staaten von Amerika, Angola, Botsuana, Burundi, Eritrea, Äthiopien, Ghana, Kenia, Liberia, Malawi, Malta, Mosambik, Nigeria, Ruanda, Sao Tome, Sierra Leone, Somalia, Tansania, Uganda, Sambia, Simbabwe, Argentinien, Bolivien, Belize, Brasilien, Chile, Kolumbien, Costa Rica, Dominikanische Republik, Ecuador, El Salvador, Guatemala, Haiti, Honduras, Mexiko, Nicaragua, Panama, Paraguay, Peru, Uruguay, Venezuela, Europa, Naher und Mittlerer Osten, Afrika, Australien, Neuseeland, Singapur, Malaysia, Thailand, Indonesien, Philippinen, Vietnam, Brunei, Sri Lanka, Bangladesch, Indien, Korea, Hongkong (Sonderverwaltungsregion der VR China), Taiwan, VR China, Japan	Teile und Serviceleistungen - 4 Jahre	5
9649	Vereinigte Staaten von Amerika, Angola, Botsuana, Burundi, Eritrea, Äthiopien, Ghana, Kenia, Liberia, Malawi, Malta, Mosambik, Nigeria, Ruanda, Sao Tome, Sierra Leone, Somalia, Tansania, Uganda, Sambia, Simbabwe, Argentinien, Bolivien, Belize, Brasilien, Chile, Kolumbien, Costa Rica, Dominikanische Republik, Ecuador, El Salvador, Guatemala, Haiti, Honduras, Mexiko, Nicaragua, Panama, Paraguay, Peru, Uruguay, Venezuela, Europa, Naher und Mittlerer Osten, Afrika, Australien, Neuseeland, Singapur, Malaysia, Thailand, Indonesien, Philippinen, Vietnam, Brunei, Sri Lanka, Bangladesch, Indien, Korea, Hongkong (Sonderverwaltungsregion der VR China), Taiwan, VR China, Japan	Teile und Serviceleistungen - 4 Jahre	5
9694	Vereinigte Staaten von Amerika, Angola, Botsuana, Burundi, Eritrea, Äthiopien, Ghana, Kenia, Liberia, Malawi, Malta, Mosambik, Nigeria, Ruanda, Sao Tome, Sierra Leone, Somalia, Tansania, Uganda, Sambia, Simbabwe, Argentinien, Bolivien, Belize, Brasilien, Chile, Kolumbien, Costa Rica, Dominikanische Republik, Ecuador, El Salvador, Guatemala, Haiti, Honduras, Mexiko, Nicaragua, Panama, Paraguay, Peru, Uruguay, Venezuela, Europa, Naher und Mittlerer Osten, Afrika, Australien, Neuseeland, Singapur, Malaysia, Thailand, Indonesien, Philippinen, Vietnam, Brunei, Sri Lanka, Bangladesch, Indien, Korea, Hongkong (Sonderverwaltungsregion der VR China), Taiwan, VR China, Japan	Teile und Serviceleistungen - 3 Jahre	5

Maschinentyp	Land oder Region des Erwerbs	Gewährleistungszeitraum	Art des Gewährleistungservice
9695	Vereinigte Staaten von Amerika, Angola, Botsuana, Burundi, Eritrea, Äthiopien, Ghana, Kenia, Liberia, Malawi, Malta, Mosambik, Nigeria, Ruanda, Sao Tome, Sierra Leone, Somalia, Tansania, Uganda, Sambia, Simbabwe, Argentinien, Bolivien, Belize, Brasilien, Chile, Kolumbien, Costa Rica, Dominikanische Republik, Ecuador, El Salvador, Guatemala, Haiti, Honduras, Mexiko, Nicaragua, Panama, Paraguay, Peru, Uruguay, Venezuela, Europa, Naher und Mittlerer Osten, Afrika, Australien, Neuseeland, Singapur, Malaysia, Thailand, Indonesien, Philippinen, Vietnam, Brunei, Sri Lanka, Bangladesch, Indien, Korea, Hongkong (Sonderverwaltungsregion der VR China), Taiwan, VR China, Japan	Teile und Serviceleistungen - 3 Jahre	5

Art des Gewährleistungsservice

Falls erforderlich, leistet Lenovo Ersatz- oder Austauschservice, abhängig von der Art des Gewährleistungsservice, der oben in der Tabelle für die Maschine angegeben und nachfolgend beschrieben ist. Der Zeitrahmen des Service ist abhängig von der Uhrzeit des Anrufs und der Verfügbarkeit der Teile. Die Servicestufen sind an Antwortzeiten gebunden und werden nicht garantiert. Die angegebene Servicestufe wird möglicherweise nicht an allen Standorten weltweit angeboten, und außerhalb des üblichen Servicebereichs des Service-Providers können zusätzliche Gebühren anfallen. Der Kunde muss sich an den zuständigen Ansprechpartner beim Service-Provider oder an den Reseller wenden, wenn er Informationen über bestimmte Länder und Standorte benötigt.

1. CRU-Service

Lenovo liefert dem Kunden CRUs (Customer Replaceable Units sind durch den Kunden austauschbare Funktionseinheiten), damit er die Installation selbst vornehmen kann. CRUs der Stufe 1 sind einfach zu installieren, während für die Installation von CRUs der Stufe 2 bestimmte technische Kenntnisse und Werkzeuge erforderlich sind. CRU-Informationen sowie Anweisungen zum Austausch der CRU werden mit der Maschine geliefert und sind auf Anfrage jederzeit bei Lenovo erhältlich. Abhängig von der Art des für die Maschine geltenden Gewährleistungsservice kann der Kunde die Installation ohne zusätzliche Kosten von einem Service-Provider durchführen lassen. In dem mit der Ersatz-CRU gelieferten Material ist angegeben, ob die fehlerhafte CRU an Lenovo zurückgegeben werden muss. Ist eine Rückgabe vorgesehen, 1) sind im Lieferumfang der Ersatz-CRU Anweisungen für die Rückgabe und ein Versandkarton enthalten, und 2) kann Lenovo dem Kunden die Ersatz-CRU in Rechnung stellen, falls er die fehlerhafte CRU nicht innerhalb von 30 Tagen nach Erhalt der Ersatz-CRU an Lenovo zurückschickt.

2. Service vor Ort

Der Service-Provider wird die fehlerhafte Maschine entweder vor Ort reparieren oder austauschen und deren ordnungsgemäße Funktionsweise überprüfen. Der Kunde muss dafür Sorge tragen, dass am Standort der Lenovo Maschine ausreichend Platz zum Zerlegen und erneuten Zusammenbauen der Maschine vorhanden ist. Der Standort muss sauber, gut beleuchtet und für die jeweilige Maßnahme geeignet sein. Einige Maschinen müssen zur Durchführung bestimmter Reparaturen eventuell an ein bestimmtes Service-Center eingeschickt werden.

3. Kurier- oder Aufbewahrungsservice *

Organisiert der Service-Provider den Transport, muss der Kunde die fehlerhafte Maschine entsprechend vorbereiten. Der Kunde erhält einen Versandkarton für den Transport der Maschine an das angegebene Service-Center. Ein Kurierdienst wird die Maschine abholen und zum angegebenen Service-Center transportieren.

Nach der Reparatur oder dem Austausch wird das Service-Center den Rücktransport der Maschine an den Standort des Kunden veranlassen. Für die Installation und Überprüfung der Maschine ist der Kunde selbst verantwortlich.

4. Anlieferung oder Versand durch den Kunden

Der Kunde wird die fehlerhafte Maschine gut verpackt entsprechend den Angaben des Service-Providers an den angegebenen Standort einschicken (vorab bezahlt, sofern nichts anderes angegeben ist). Nachdem die Maschine repariert oder ausgetauscht wurde, wird sie für den Kunden zum Abholen bereitgehalten oder auf Kosten von Lenovo an den Kunden zurückgeschickt, sofern der Service-Provider nichts anderes angegeben hat. Für die anschließende Installation und Überprüfung der Maschine ist der Kunde selbst verantwortlich.

5. CRU-Service und Service vor Ort

Diese Art von Gewährleistungsservice ist eine Kombination aus 1 und 2 (siehe oben).

6. CRU-Service und Kurier- oder Aufbewahrungsservice

Diese Art von Gewährleistungsservice ist eine Kombination aus 1 und 3 (siehe oben).

7. CRU-Service und Anlieferung durch den Kunden oder per Versand

Diese Art von Gewährleistungsservice ist eine Kombination aus 1 und 4 (siehe oben).

Wenn als Art des Gewährleistungsservice 5, 6 oder 7 angegeben ist, wird der Service-Provider darüber entscheiden, welche Art von Gewährleistungsservice für die Reparatur geeignet ist.

* Diese Art von Service wird in einigen Ländern als "ThinkPad EasyServ" oder "EasyServ" bezeichnet.

Um Gewährleistungsservice zu erhalten, sollte sich der Kunde an einen Service-Provider wenden. In Kanada oder den Vereinigten Staaten von Amerika lautet die Nummer des Service wie folgt: 1-800-426-7378. Die Servicetelefonnummern in anderen Ländern können der folgenden Liste entnommen werden:

Liste der weltweit gültigen Telefonnummern

Telefonnummern können jederzeit ohne Vorankündigung geändert werden. Die aktuellen Telefonnummern können unter der Adresse <http://www.lenovo.com/support/phone> abgerufen werden.

Land oder Region	Telefonnummer
Afrika	Afrika: +44 (0)1475-555-055 Südafrika: +27-11-3028888 und 0800110756 Zentralafrika: Der Kunde muss sich an einen Lenovo Business Partner in der Nähe wenden.
Argentinien	0800-666-0011 (Spanisch)
Australien	131-426 (Englisch)
Belgien	Technische Unterstützung: 02-210-9820 (Flämisch) Technische Unterstützung: 02-210-9800 (Französisch) Gewährleistungsservice und Unterstützung: 02-225-3611 (Flämisch, Französisch)
Bolivien	0800-10-0189 (Spanisch)
Brasilien	Region Sao Paulo: (11) 3889-8986 Außerhalb der Region Sao Paulo: 0800-701-4815 (Brasilianisches Portugiesisch)
Chile	800-361-213 oder 188-800-442-488 Gebührenfrei (Spanisch)
China	86-10-58851110 800-990-8888 (Mandarin)
China (Sonderverwaltungsregion Hongkong)	ThinkCentre® (kommerzieller PC): 8205-0333 Multimedia Home-PC: 800-938-228 (Kantonesisch, Englisch, Mandarin)
China (Sonderverwaltungsregion Macau)	ThinkCentre (Hotline für technische Anfragen): 0800-336 (Kantonesisch, Englisch, Mandarin)
Costa Rica	0-800-011-1029 (Spanisch)
Dänemark	Technische Unterstützung: 4520-8200 Gewährleistungsservice und Unterstützung: 7010-5150 (Dänisch)
Deutschland	Technische Unterstützung: 07032-15-49201 Gewährleistungsservice und Unterstützung: 01805-25-35-58 (Deutsch)
Dominikanische Republik	1-866-434-2080 (Spanisch)
Ecuador	1-800-426911 (Spanisch)
El Salvador	800-6264 (Spanisch)

Land oder Region	Telefonnummer
Estland	+372 6776793 +372 66 00 800
Finnland	Technische Unterstützung: 09-459-6960 Gewährleistungsservice und Unterstützung: +358-800-1-4260 (Finnisch)
Frankreich	Technische Unterstützung: 0238-557-450 Gewährleistungsservice und Unterstützung (Hardware): 0810-631-213 Gewährleistungsservice und Unterstützung (Software): 0810-631-020 (Französisch)
Griechenland	+30-210-680-1700
Guatemala	1800-624-0051 (Spanisch)
Honduras	Tegucigalpa: 232-4222 San Pedro Sula: 552-2234 (Spanisch)
Indien	1800-425-6666 +91-80-2678-8970 (Englisch)
Indonesien	800-140-3555 (Englisch) 62-21-251-2955 (Indonesisch)
Irland	Technische Unterstützung: 01-815-9202 Gewährleistungsservice und Unterstützung: 01-881-1444 (Englisch)
Israel	Service-Center Givat Shmuel: +972-3-531-3900 (Hebräisch, Englisch)
Italien	Technische Unterstützung: 02-7031-6101 Gewährleistungsservice und Unterstützung: +39-800-820094 (Italienisch)
Japan	Gebührenfrei: 0120-20-5550 International: +81-46-266-4716 Bei den angegebenen Telefonnummern antwortet eine Bandansage in japanischer Sprache. Für eine telefonische Unterstützung in englischer Sprache ist das Ende der japanischen Bandansage abzuwarten. Anschließend wird ein Telefonist antworten. Nun sagt der Kunde "English support please". Damit wird der Anruf des Kunden zu einem englischsprachigen Telefonisten weitergeleitet. Computersoftware: 0120-558-695 Überseegespräche: +81-44-200-8666 (Japanisch)
Kanada	Toronto: 416-383-3344 Außerhalb von Toronto: 1-800-565-3344 (Englisch, Französisch)

Land oder Region	Telefonnummer
Kolumbien	1-800-912-3021 (Spanisch)
Korea	1588-5801 (Koreanisch)
Kroatien	0800-0426
Lettland	+386-61-1796-699
Litauen	+386-61-1796-699
Luxemburg	+352-298-977-5063 (Französisch)
Malaysia	1800-88-8558 (Englisch, Malaysisch)
Malta	+356-23-4175
Mexiko	001-866-434-2080 (Spanisch)
Naher und Mittlerer Osten	+44 (0)1475-555-055
Niederlande	+31-20-514-5770 (Niederländisch)
Neuseeland	0800-733-222 (Englisch)
Nicaragua	001-800-220-1830 (Spanisch)
Norwegen	Technische Unterstützung: 6681-1100 Gewährleistungsservice und Unterstützung: 8152-1550 (Norwegisch)
Österreich	Technische Unterstützung: 01-24592-5901 Gewährleistungsservice und Unterstützung: 01-211-454-610 (Deutsch)
Panama	001-866-434-2080 (Gebührenfrei) 206-6047 (Spanisch)
Peru	0-800-50-866 (Spanisch)
Philippinen	1800-1888-1426 (Englisch) 63-2-995-8420 (Philippinisch)
Polen	+48-22-878-6999
Portugal	+351-21-892-7147 (Portugiesisch)
Rumänien	+4-021-224-4015
Russland	+7-495-258-6300 +8-800-200-6300 (Russisch)
Schweden	Technische Unterstützung: 08-477-4420 Gewährleistungsservice und Unterstützung: 077-117-1040 (Schwedisch)
Schweiz	Technische Unterstützung: 058-333-0900 Gewährleistungsservice und Unterstützung: 0800-55-54-54 (Deutsch, Französisch, Italienisch)
Singapur	1800-3172-888 (Englisch, Malaysisch)

Land oder Region	Telefonnummer
Slowakei	+421-2-4954-1217
Slowenien	+386-1-4796-699
Spanien	91-714-7983 0901-100-000 (Spanisch)
Sri Lanka	+9411 2493547 +9411 2493548 (Englisch)
Taiwan	886-2-8723-9799 0800-000-700 (Mandarin)
Thailand	1-800-299-229 (Thailändisch)
Tschechische Republik	+420-2-7213-1316
Türkei	00800-4463-2041 (Türkisch)
Ungarn	+36-1-382-5720
Uruguay	000-411-005-6649 (Spanisch)
Venezuela	0-800-100-2011 (Spanisch)
Vereinigte Staaten von Amerika	1-800-426-7378 (Englisch)
Vietnam	Nördliches Gebiet und Hanoi: 84-4-843-6675 Südliches Gebiet und Ho-Chi-Minh-Stadt: 84-8-829-5160 (Englisch, Vietnamesisch)
Zypern	+357-22-841100

Ergänzung zu den Gewährleistungsbestimmungen für Mexiko

Diese Ergänzung ist Teil der Gewährleistung und gilt ausschließlich für Produkte, die auf dem Gebiet von Mexiko geliefert und vertrieben werden. Im Falle eines Rechtsstreites gelten die Bestimmungen dieser Ergänzung.

Für alle bei Lieferung auf den Geräten vorinstallierten Softwareprogramme gilt eine Gewährleistung von dreißig (30) Tagen für Installationsfehler ab dem Datum des Erwerbs. Lenovo ist nicht verantwortlich für in diesen Softwareprogrammen enthaltene Daten und/oder zusätzliche Softwareprogramme, die vom Kunden oder nach dem Erwerb des Produkts installiert wurden.

Services, die nicht der Gewährleistung zugerechnet werden können, werden nach vorheriger Genehmigung dem Endbenutzer in Rechnung gestellt.

Wenn der Kunde einen Reparaturservice, der der Gewährleistung unterliegt, in Anspruch nehmen möchte, wendet er sich telefonisch an das zuständige Customer Support Center (Telefonnummer 001-866-434-2080). Hier wird ihm die Adresse des nächstgelegenen autorisierten Service-Centers genannt. Sollte sich in der Stadt, am Standort oder im Umkreis von 70 km um den Standort des Kunden kein autorisiertes Service-Center befinden, beinhaltet die Gewährleistung die üblichen Transportkosten für den Transport des Produkts zum nächstgelegenen autorisierten Service-Center. Der Kunde muss sich telefonisch an das nächstgelegene autorisierte Service-Center wenden, um die erforderlichen Einverständniserklärungen oder Informationen zum Transport des Produkts und der Adresse des Service-Centers einzuholen.

Eine Liste von autorisierten Service-Centern ist unter der folgenden Adresse erhältlich: <http://www.lenovo.com/mx/es/servicios>

Fertigung:

SCI Systems de México, S.A. de C.V.
Av. De la Solidaridad Iberoamericana No. 7020
Col. Club de Golf Atlas
El Salto, Jalisco, México
C.P. 45680,
Tel. 01-800-3676900

Marketing:

Lenovo de México, Comercialización y
Servicios, S. A. de C. V.
Alfonso Nápoles Gándara No 3111
Parque Corporativo de Peña Blanca
Delegación Álvaro Obregón

México, D.F., México
C.P. 01210,
Tel. 01-800-00-325-00

Kapitel 4. CRUs (Customer Replacement Units)

CRUs (Customer Replacement Units - durch den Kunden austauschbare Funktionseinheiten) sind Computerteile, die vom Kunden selbst aufgerüstet oder ersetzt werden können. Es gibt zwei Arten von CRUs: CRUs der Stufe 1 und CRUs der Stufe 2. CRUs der Stufe 1 sind einfach zu installieren, während für die Installation von CRUs der Stufe 2 bestimmte technische Kenntnisse und Werkzeuge erforderlich sind.

Im Benutzerhandbuch und im Handbuch zum Austauschen von Hardware finden Sie Anweisungen zum Austauschen von CRUs der Stufen 1 und 2. Anhand der folgenden Tabelle können Sie feststellen, welche Veröffentlichung die von Ihnen benötigten Anweisungen enthält.

Klicken Sie zum Anzeigen einer Veröffentlichung auf dem Windows-Desktop auf das Menü "Start", wählen Sie **Alle Programme** und dann **Online Books** aus, und klicken Sie anschließend auf **Online Books**. Klicken Sie doppelt auf die Veröffentlichung zum gewünschten Maschinentyp. Weitere Informationen zum Zugriff auf das Benutzerhandbuch und das Handbuch zum Austauschen von Hardware finden Sie im Abschnitt „Ordner "Online Books"“ auf Seite 181. Diese Veröffentlichungen sind auch auf der Lenovo Website unter der Adresse <http://www.lenovo.com> zu finden.

**Anmerkung: Verwenden Sie nur Computerteile von Lenovo. In Kapitel 3, „Lenovo Gewährleistung“, auf Seite 185 finden Sie Gewährleistungs-
informationen zu den CRUs für Ihren Maschinentyp.**

6490, 8700, 8701, 8705, 8717, 8973, 8975, 8979, 8983, 8985, 8991, 8995, 9265, 9269, 9277, 9279, 9283, 9287, 9379, 9383, 9387, 9389, 9631, 9635, 9637, 9646, 9648, 9694		
	Benutzerhandbuch	Handbuch zum Austauschen von Hardware
CRUs der Stufe 1		
Optisches Laufwerk	x	x
Festplattenlaufwerk	x	x
Speicher	x	x
Maus	x	x
Tastatur	x	x
Adapterkarte	x	x
CRUs der Stufe 2		
Diskettenlaufwerk	x	x
Kühlkörper		x

6490, 8700, 8701, 8705, 8717, 8973, 8975, 8979, 8983, 8985, 8991, 8995, 9265, 9269, 9277, 9279, 9283, 9287, 9379, 9383, 9387, 9389, 9631, 9635, 9637, 9646, 9648, 9694

	Benutzerhandbuch	Handbuch zum Austauschen von Hardware
Netzteil		x
Systemlüfter		x

6491, 8013, 8702, 8706, 8716, 8970, 8972, 8976, 8980, 8982, 8986, 8992, 8994, 9266, 9276, 9278, 9282, 9286, 9288, 9374, 9378, 9380, 9384, 9628, 9632, 9647, 9649, 9695

	Benutzerhandbuch	Handbuch zum Austauschen von Hardware
CRUs der Stufe 1		
Maus	x	x
Tastatur	x	x
Adapterkarte	x	x
CRUs der Stufe 2		
Optisches Laufwerk	x	x
Festplattenlaufwerk	x	x
Diskettenlaufwerk	x	x
Speicher	x	x
Kühlkörper		x
Systemlüfter		x

Maschinentypen: 9636, 9638, 9640, 9641, 9642, 9643, 9644, 9645

	Benutzerhandbuch	Handbuch zum Austauschen von Hardware
CRUs der Stufe 1		
Tastatur	x	x
Maus	x	x
Festplattenlaufwerk	x	x
Speicher	x	x
Adapterkarte	x	x
Lautsprecher	x	x
Optisches Laufwerk	x	x
Diskettenlaufwerk	x	x
CRUs der Stufe 2		
Kühlkörper		x

Maschinentypen: 9636, 9638, 9640, 9641, 9642, 9643, 9644, 9645		
	Benutzerhandbuch	Handbuch zum Austauschen von Hardware
Systemplatine		x
Netzteil		x
Systemlüfter		x

Kapitel 5. Bemerkungen

Möglicherweise bietet Lenovo die in dieser Dokumentation beschriebenen Produkte, Services oder Funktionen nicht in allen Ländern an. Informationen über die gegenwärtig im jeweiligen Land verfügbaren Produkte und Services sind beim Lenovo Ansprechpartner erhältlich. Hinweise auf Lenovo Lizenzprogramme oder andere Lenovo Produkte bedeuten nicht, dass nur Programme, Produkte oder Services von Lenovo verwendet werden können. Anstelle der Lenovo Produkte, Programme oder Services können auch andere, ihnen äquivalente Produkte, Programme oder Services verwendet werden, solange diese keine gewerblichen oder anderen Schutzrechte von Lenovo verletzen. Die Verantwortung für den Betrieb von Fremdprodukten, Fremdprogrammen und Fremdservices liegt beim Kunden.

Für in diesem Handbuch beschriebene Erzeugnisse und Verfahren kann es Lenovo Patente oder Patentanmeldungen geben. Mit der Auslieferung dieses Handbuchs ist keine Lizenzierung dieser Patente verbunden. Lizenzanfragen sind schriftlich an die nachstehende Adresse zu richten. Anfragen an diese Adresse müssen auf Englisch formuliert werden.

*Lenovo (United States), Inc.
1009 Think Place - Building One
Morrisville, NC 27560
U.S.A.
An: Lenovo Director of Licensing*

Lenovo stellt die Veröffentlichung ohne Wartung (auf "as-is" -Basis) zur Verfügung und übernimmt keine Gewährleistung für die Handelsüblichkeit, die Verwendungsfähigkeit für einen bestimmten Zweck und die Freiheit der Rechte Dritter. Einige Rechtsordnungen erlauben keine Gewährleistungsausschlüsse bei bestimmten Transaktionen, so dass dieser Hinweis möglicherweise nicht zutreffend ist.

Trotz sorgfältiger Bearbeitung können technische Ungenauigkeiten oder Druckfehler in dieser Veröffentlichung nicht ausgeschlossen werden. Die Angaben in diesem Handbuch werden in regelmäßigen Zeitabständen aktualisiert. Die Änderungen werden in Überarbeitungen oder in Technical News Letters (TNLs) bekannt gegeben. Lenovo kann jederzeit Verbesserungen und/oder Änderungen an den in dieser Veröffentlichung beschriebenen Produkten und/oder Programmen vornehmen.

Die in diesem Dokument beschriebenen Produkte sind nicht zur Verwendung bei Implantationen oder anderen lebenserhaltenden Anwendungen, bei denen ein Nichtfunktionieren zu Verletzungen oder zum Tod führen könnte, vorgesehen. Die Informationen in diesem Dokument beeinflussen oder ändern nicht

die Lenovo Produktspezifikationen oder Gewährleistungen. Keine Passagen dieses Dokuments sollen als explizite oder implizite Lizenz oder Schadensersatzklärung unter den gewerblichen Schutzrechten von Lenovo oder anderer Firmen dienen. Alle Informationen in dieser Dokumentation beziehen sich auf eine bestimmte Betriebsumgebung und dienen zur Veranschaulichung. In anderen Betriebsumgebungen werden möglicherweise andere Ergebnisse erzielt.

Werden an Lenovo Informationen eingesandt, können diese beliebig verwendet werden, ohne dass eine Verpflichtung gegenüber dem Einsender entsteht.

Verweise in dieser Veröffentlichung auf Websites anderer Anbieter dienen lediglich als Benutzerinformationen und stellen keinerlei Billigung des Inhalts dieser Websites dar. Das über diese Websites verfügbare Material ist nicht Bestandteil des Materials für dieses Lenovo Produkt. Die Verwendung dieser Websites geschieht auf eigene Verantwortung.

Alle in diesem Dokument enthaltenen Leistungsdaten stammen aus einer gesteuerten Umgebung. Die Ergebnisse, die in anderen Betriebsumgebungen erzielt werden, können daher erheblich von den hier erzielten Ergebnissen abweichen. Einige Daten stammen möglicherweise von Systemen, deren Entwicklung noch nicht abgeschlossen ist. Eine Gewährleistung, dass diese Daten auch in allgemein verfügbaren Systemen erzielt werden, kann nicht gegeben werden. Darüber hinaus wurden einige Daten unter Umständen durch Extrapolation berechnet. Die tatsächlichen Ergebnisse können abweichen. Benutzer dieses Dokuments sollten die entsprechenden Daten in ihrer spezifischen Umgebung prüfen.

Hinweise zur TV-Ausgabe

Der folgende Hinweis gilt für Modelle mit werkseitig installierter TV-Ausgabefunktion.

Dieses Produkt ist mit Copyright-geschützter Technologie ausgestattet, die durch bestimmte US-Patente und andere intellektuelle Eigentumsrechte geschützt ist, deren Eigentümer die Macrovision Corporation und andere rechtliche Eigner sind. Die Verwendung dieser Copyright-geschützten Technologie muss von der Macrovision Corporation genehmigt sein und beschränkt sich ausschließlich auf den privaten Gebrauch und andere eingeschränkte Anzeigemöglichkeiten, sofern von der Macrovision Corporation nicht anders angegeben. Zurückentwicklung oder Disassemblierung ist verboten.

Marken

Folgende Namen sind in gewissen Ländern Marken von Lenovo:

Lenovo
Rescue and Recovery
ThinkCentre
ThinkPad
ThinkVantage

IBM ist in gewissen Ländern eine Marke der International Business Machines Corporation.

Die Namen anderer Unternehmen, Produkte oder Services können Marken oder Servicemarken anderer Unternehmen sein.

Hinweise zur elektromagnetischen Verträglichkeit

Die folgenden Informationen beziehen sich auf Lenovo PCs der folgenden Maschinentypen: 6490, 6491, 8013, 8700, 8701, 8702, 8705, 8706, 8716, 8717, 8970, 8972, 8973, 8975, 8976, 8979, 8980, 8982, 8983, 8985, 8986, 8991, 8992, 8994, 8995, 9265, 9266, 9269, 9276, 9277, 9278, 9279, 9282, 9283, 9286, 9287, 9288, 9374, 9378, 9379, 9380, 9383, 9384, 9387, 9389, 9628, 9631, 9632, 9635, 9636, 9637, 9638, 9640, 9641, 9642, 9643, 9644, 9645, 9646, 9647, 9648, 9649, 9694, 9695.

FCC-Konformitätserklärung (Federal Communications Commission)

Dieses Gerät wurde getestet und liegt gemäß Teil 15 der FCC-Regeln innerhalb der Grenzwerte für digitale Geräte der Klasse B. Diese Grenzwerte sind dafür gedacht, einen ausreichenden Schutz gegen Störungen zu bieten, wenn das Gerät in einem Wohngebiet betrieben wird. Dieses Gerät erzeugt, verwendet und strahlt Hochfrequenzenergie ab. Werden bei der Installation und dem Betrieb die Anweisungen nicht befolgt, können eventuell HF-Kommunikations-einrichtungen gestört werden. Es besteht jedoch keine Gewährleistung, dass bei einer bestimmten Installation keine Interferenzen auftreten. Wenn dieses Gerät Störungen beim Radio- oder Fernsehempfang verursacht - dies kann durch Ein- und Ausschalten des Geräts festgestellt werden - wird dem Benutzer empfohlen, die Störungen mit Hilfe einer der folgenden Maßnahmen zu beseitigen:

- Empfangsantenne neu ausrichten oder anders positionieren.
- Abstand zwischen Gerät und Empfänger vergrößern.
- Gerät an einer Steckdose anschließen, die sich an einem anderen Stromkreis befindet als die Steckdose, an die der Empfänger angeschlossen ist.
- Sich mit weiteren Fragen an Ihren Vertragshändler oder Ansprechpartner wenden.

Lenovo übernimmt keine Verantwortung für Störungen beim Radio- oder Fernsehempfang, die durch ungeeignete Kabel oder Stecker bzw. eigenmächtige Änderungen am Gerät entstehen. Durch eigenmächtige Änderungen kann die Berechtigung des Benutzers zum Betrieb des Gerätes erlöschen.

Dieses Gerät entspricht Teil 15 der FCC-Regeln. Der Betrieb unterliegt den folgenden zwei Bedingungen: (1) Dieses Gerät darf keine Störungen verursachen, und (2) dieses Gerät muss gegen Störungen von außen abgeschirmt sein, auch gegen Störungen, die den Betrieb beeinträchtigen können.

Verantwortlich:

Lenovo (United States) Inc.
One Manhattanville Road
Purchase, New York 10577
Telefon: (919) 254-5900



Tested To Comply
With FCC Standards

FOR HOME OR OFFICE USE

Kanada - Hinweis zur elektromagnetischen Verträglichkeit (Klasse B)

Dieses Digitalgerät nach Klasse B stimmt mit der kanadischen Norm ICES-003 überein.

EU-Richtlinie zur elektromagnetischen Verträglichkeit

Dieses Produkt entspricht den Schutzanforderungen der EU-Richtlinie 89/336/EWG zur Angleichung der Rechtsvorschriften über die elektromagnetische Verträglichkeit in den EU-Mitgliedsstaaten. Lenovo übernimmt keine Verantwortung für die Einhaltung der Schutzanforderungen, wenn das Produkt ohne Zustimmung von Lenovo verändert wird bzw. wenn Erweiterungskarten von Fremdherstellern ohne Empfehlung von Lenovo eingebaut oder eingesteckt werden.

Dieses Produkt wurde getestet und hält die Grenzwerte nach EN 55022 Klasse B (bzw. der internationalen Norm CISPR 22) für informationstechnische Geräte (Information Technology Equipment = ITE) ein. Die Grenzwerte für Geräte der Klasse B gelten für den Wohnbereich, um ausreichenden Schutz vor Interferenzen von zugelassenen Kommunikationseinrichtungen zu gewährleisten.

Lenovo Produktserviceinformationen für Taiwan

台灣 Lenovo 產品服務資訊如下：
荷蘭商思惟電腦產品股份有限公司台灣分公司
台北市信義區信義路五段七號十九樓之一
服務電話：0800-000-700

Federal Communications Commission (FCC) and telephone company requirements

1. This device complies with Part 68 of the FCC rules. A label is affixed to the device that contains, among other things, the FCC registration number, USOC, and Ringer Equivalency Number (REN) for this equipment. If these numbers are requested, provide this information to your telephone company.

Anmerkung: If the device is an internal modem, a second FCC registration label is also provided. You may attach the label to the exterior of the computer in which you install the Lenovo modem, or you may attach the label to the external DAA, if you have one. Place the label in a location that is easily accessible, should you need to provide the label information to the telephone company.

2. The REN is useful to determine the quantity of devices you may connect to your telephone line and still have those devices ring when your number is called. In most, but not all areas, the sum of the RENs of all devices should not exceed five (5). To be certain of the number of devices you may connect to your line, as determined by the REN, you should call your local telephone company to determine the maximum REN for your calling area.
3. If the device causes harm to the telephone network, the telephone company may discontinue your service temporarily. If possible, they will notify you in advance; if advance notice is not practical, you will be notified as soon as possible. You will be advised of your right to file a complaint with the FCC.
4. Your telephone company may make changes in its facilities, equipment, operations, or procedures that could affect the proper operation of your equipment. If they do, you will be given advance notice to give you an opportunity to maintain uninterrupted service.

5. If you experience trouble with this product, contact your authorized reseller or call the Customer Support Center. In the United States, call **1-800-426-7378**. In Canada, call **1-800-565-3344**. You may be required to present proof of purchase.

The telephone company may ask you to disconnect the device from the network until the problem has been corrected, or until you are sure the device is not malfunctioning.

6. No customer repairs are possible to the device. If you experience trouble with the device, contact your Authorized Reseller or see the Diagnostics section of this manual for information.
7. This device may not be used on coin service provided by the telephone company. Connection to party lines is subject to state tariffs. Contact your state public utility commission or corporation commission for information.
8. When ordering network interface (NI) service from the local Exchange Carrier, specify service arrangement USOC RJ11C.

Canadian Department of Communications certification label

NOTICE: The Industry Canada label identifies certified equipment. This certification means that the equipment meets telecommunications network protective, operational and safety requirements as prescribed in the appropriate Terminal Equipment Technical Requirements documents. The Department does not guarantee the equipment will operate to the user's satisfaction.

Before installing this equipment, users should ensure that it is permissible to be connected to the facilities of the local telecommunications company. The equipment must also be installed using an acceptable method of connection. The customer should be aware that compliance with the above conditions may not prevent degradation of service in some situations. Repairs to certified equipment should be coordinated by a representative designated by the supplier. Any repairs or alterations made by the user to this equipment, or equipment malfunctions, may give the telecommunications company cause to request the user to disconnect the equipment.

Users should ensure for their own protection that the electrical ground connections of the power utility, telephone lines, and internal metallic water pipe system, if present, are connected together. This precaution may be particularly important in rural areas.

Caution: Users should not attempt to make such connections themselves, but should contact the appropriate electric inspection authority, or electrician, as appropriate.

NOTICE: The Ringer Equivalence Number (REN) assigned to each terminal device provides an indication of the maximum number of terminals allowed to

be connected to a telephone interface. The termination on an interface may consist of any combination of devices subject only to the requirement that the sum of the Ringer Equivalence Numbers of all the devices does not exceed 5.

Hinweise zu Netzkabeln

Zu Ihrer Sicherheit stellt Ihnen Lenovo ein Netzkabel mit geerdetem Anschlussstecker zur Verwendung in Verbindung mit diesem Lenovo Produkt zur Verfügung. Verwenden Sie Netzkabel und Netzstecker immer in Verbindung mit einer ordnungsgemäß geerdeten Steckdose, um eine Gefährdung durch Stromschlag zu vermeiden.

In den Vereinigten Staaten und Kanada von Lenovo bereitgestellte Netzkabel wurden von anerkannten Testlabors (Underwriter's Laboratories (UL) in den USA und Canadian Standards Association (CSA) in Kanada) registriert und geprüft.

Für Einheiten, die bei 115 Volt betrieben werden sollen, gilt: Verwenden Sie ein von UL registriertes und von CSA geprüftes Kabelset, das aus einem höchstens 5 Meter langen Kabel des Typs SVT oder SJT mit drei Leitern und 18 AWG sowie einem geerdeten Stecker mit Parallel-Blade bei 15 A und 125 V besteht.

Für Einheiten, die bei 230 Volt betrieben werden sollen, gilt (Nutzung in den Vereinigten Staaten): Verwenden Sie ein von UL registriertes und von CSA geprüftes Kabelset, das aus einem höchstens 5 Meter langen Kabel des Typs SVT oder SJT mit drei Leitern und 18 AWG sowie einem geerdeten Stecker mit Tandem-Blade bei 15 A und 250 V besteht.

Für Einheiten mit 230-Volt-Betrieb (außerhalb der USA): Verwenden Sie ein Kabelset mit geerdetem Netzanschlussstecker. Das Kabelset sollte über die jeweiligen Sicherheitsgenehmigungen des Landes verfügen, in dem das Gerät installiert wird.

Von Lenovo bereitgestellte Netzkabel für bestimmte Länder oder Regionen sind üblicherweise nur in diesen Ländern und Regionen erhältlich.

Für Einheiten, die in Deutschland betrieben werden: Als Netzkabel muss eine geprüfte Leitung verwendet werden. In Deutschland sollten die Netzkabel mindestens dem Sicherheitsstandard H05VV-F, 3G, 0,75 mm² entsprechen. In anderen Ländern müssen die entsprechenden Typen verwendet werden.

Teilenummer des Netzkabels	In folgenden Ländern verwendet
24R2633	Japan
39M5067	Argentinien, Paraguay, Uruguay

Teilenummer des Netzkabels	In folgenden Ländern verwendet
39M5080	Antigua und Barbuda, Aruba, Bahamas, Barbados, Belize, Bermuda, Bolivien, Turks- und Caicos-Inseln, Kanada, Kaimaninseln, Costa Rica, Kolumbien, Kuba, Dominikanische Republik, Ecuador, El Salvador, Guam, Guatemala, Haiti, Honduras, Jamaika, Mexiko, Mikronesien (Föderation), Niederländische Antillen, Nicaragua, Panama, Peru, Philippinen, Saudi-Arabien, Thailand, Taiwan, USA, Venezuela
39M5102	Australien, Neuseeland
39M5122	Afghanistan, Albanien, Algerien, Andorra, Angola, Armenien, Österreich, Aserbaidschan, Weißrussland, Belgien, Benin, Bosnien-Herzegowina, Bulgarien, Burkina Faso, Burundi, Kambodscha, Kamerun, Kap Verde, Zentralafrikanische Republik, Tschad, Komoren, Kongo (Demokratische Republik), Kongo (Republik), Cote D'Ivoire (Elfenbeinküste), Kroatien (Republik), Tschechische Republik, Dahomey, Dschibuti, Ägypten, Äquatorialguinea, Eritrea, Estland, Äthiopien, Finnland, Frankreich, Französisch-Guayana, Französisch-Polynesien, Gabun, Georgien, Deutschland, Griechenland, Guadeloupe, Guinea, Guinea-Bissau, Ungarn, Island, Indonesien, Iran, Kasachstan, Kirgisien, Laos (Volksrepublik), Lettland, Libanon, Litauen, Luxemburg, Mazedonien (ehemalige jugoslawische Republik), Madagaskar, Mali, Martinique, Mauretania, Mauritius, Mayotte, Moldawien (Republik), Monaco, Mongolei, Marokko, Mosambik, Niederlande, Neukaledonien, Niger, Norwegen, Polen, Portugal, Reunion, Rumänien, Russische Föderation, Ruanda, Sao Tome und Principe, Saudi-Arabien, Senegal, Serbien, Slowakei, Slowenien (Republik), Somalia, Spanien, Surinam, Schweden, Arabische Republik Syrien, Tadschikistan, Tahiti, Togo, Tunesien, Türkei, Turkmenistan, Ukraine, Usbekistan, Vanuatu, Vietnam, Wallis und Futuna, Jugoslawien (Bundesrepublik), Zaire
39M5129	Dänemark
39M5143	Bangladesch, Lesotho, Macao (Sonderverwaltungsregion der VR China), Malediven, Namibia, Nepal, Pakistan, Samoa, Südafrika, Sri Lanka, Swasiland, Uganda
39M5150	Abu Dhabi, Australien, Bahrain, Botsuana, Brunei Darussalam, Kanalinseln, Zypern, Dominica, Fidschi, Gambia, Ghana, Grenada, Guyana, Hongkong (Sonderverwaltungsregion der VR China), Irak, Irland, Jordanien, Kenia, Kiribati, Kuwait, Liberia, Malawi, Malaysia, Malta, Myanmar (Burma), Nauru, Neuseeland, Nigeria, Oman, Papua-Neuguinea, Katar, St. Kitts und Nevis, St. Lucia, St. Vincent und die Grenadinen, Seychellen, Sierra Leone, Singapur, Sudan, Tansania (Vereinigte Republik), Trinidad und Tobago, Vereinigte Arabische Emirate (Dubai), Großbritannien, Jemen, Sambia, Simbabwe
39M5151	Sonderverwaltungsregion Hongkong, Korea
39M5157	Liechtenstein, Schweiz
39M5164	Chile, Italien, Libysch-Arabische Dschamahirija

Teilenummer des Netzkabels	In folgenden Ländern verwendet
39M5171	Israel
39M5205	China
39M5212	Korea
39M5232	Brasilien
39M5246	Taiwan
41R3175	Indien

Hinweis zu Elektro- und Elektronikaltgeräten (WEEE)

Lenovo bittet die Besitzer von IT-Geräten darum, diese Geräte nach ihrer Nutzung ordnungsgemäß der Wiederverwertung zuzuführen. Lenovo bietet Kunden entsprechende Programme zur umweltgerechten Wiederverwertung/Entsorgung ihrer IT-Produkte an. Informationen über diese Angebote stehen auf der Lenovo Internetseite unter

<http://www.pc.ibm.com/ww/lenovo/about/environment/>.

EU-Hinweis zu Elektro- und Elektronikaltgeräten (WEEE)

Die WEEE-Kennzeichnung gilt nur in Ländern der Europäischen Union und in Norwegen. Geräte werden gemäß der Richtlinie 2002/96/EC der Europäischen Union über Elektro- und Elektronikaltgeräte (WEEE) gekennzeichnet. Die Richtlinie regelt die Rückgabe und Wiederverwertung von Altgeräten innerhalb der Europäischen Union. Mit dieser Kennzeichnung versehene Altgeräte dürfen gemäß dieser Richtlinie nicht weggeworfen werden, sondern müssen zurückgegeben werden.

Anwender von Elektro- und Elektronikgeräten mit der WEEE-Kennzeichnung dürfen diese gemäß Annex IV der WEEE-Richtlinie nach ihrem Gebrauch nicht als allgemeinen Hausmüll entsorgen. Stattdessen müssen diese Geräte im verfügbaren Sammelsystem zurückgegeben werden und damit einem Recycling- oder Wiederherstellungsprozess zugeführt werden, bei dem mögliche Auswirkungen der Geräte auf die Umwelt und den menschlichen Organismus aufgrund gefährlicher Substanzen minimiert werden. Weitere Informationen zur Entsorgung von Elektro- und Elektronikaltgeräten finden Sie unter der Adresse:

<http://www.lenovo.com/lenovo/environment>.

Capitolo 1. Informazioni importanti sulla sicurezza

Nota

Leggere prima le informazioni importanti sulla sicurezza.

Queste informazioni consentono di utilizzare correttamente il computer desktop o notebook. Attenersi alle informazioni fornite insieme al computer. Le informazioni in questo documento non modificano i termini dell'accordo di acquisto o della Dichiarazione di Garanzia limitata della Lenovo™. Per ulteriori informazioni consultare il Capitolo 3, "Dichiarazione di garanzia limitata Lenovo", a pagina 267.

La sicurezza del consumatore è importante. I prodotti IBM sono sviluppati per essere sicuri ed efficienti. Tuttavia, i personal computer sono dei dispositivi elettronici. I cavi dell'alimentazione, gli adattatori ed altre funzioni, se non utilizzate correttamente, possono esporre i clienti a potenziali rischi di sicurezza e provocare danni fisici o alla proprietà personale. Per ridurre tali rischi, seguire le istruzioni fornite con il prodotto e leggere attentamente tutte le avvertenze presenti sul prodotto e nelle istruzioni sul funzionamento. Osservando quanto esposto nelle informazioni contenute in questo manuale e in quelle fornite con il prodotto, è possibile proteggersi da eventuali rischi e creare un ambiente di lavoro più sicuro.

Nota: queste informazioni contengono riferimenti alle batterie e agli adattatori di alimentazione. Oltre ai notebook, alcuni prodotti (come altoparlanti e video) vengono forniti con adattatori di alimentazione esterni. Le presenti informazioni sono applicabili a tali prodotti. Inoltre, i prodotti del computer potrebbero contenere una piccola batteria interna delle dimensioni di una moneta che fornisce energia per il clock di sistema anche quando il computer è scollegato, quindi le informazioni sulla sicurezza della batteria sono applicabili a tutti i prodotti del computer.

Condizioni che richiedono un intervento immediato

I prodotti possono essere danneggiati a causa di negligenza o di un utilizzo non adeguato. Alcuni danni impediscono l'utilizzo del prodotto e richiedono l'intervento di un rivenditore autorizzato.

Prestare particolare attenzione al prodotto al momento dell'accensione. In rarissimi casi, il computer potrebbe produrre un odore o una nuvola di fumo o delle scintille. Oppure è possibile che si sentano rumori provenire dal computer. Queste condizioni potrebbero indicare che un componente elettronico interno al computer è in stato di malfunzionamento. Oppure può indicare un potenziale problema di sicurezza. Tuttavia, non correte rischi

cercando di fare una diagnosi voi stessi. Contattate il Supporto tecnico per ulteriori informazioni. Per un elenco dei numeri di telefono del centro di assistenza e supporto, consultare “Elenco telefonico internazionale” a pagina 303.

Verificare frequentemente che il computer e i relativi componenti non presentino segni di usura, danni e conseguenti segni di pericolo. Se si dubita dell'integrità di un componente, non utilizzare il prodotto. Rivolgersi al Centro supporto clienti o all'azienda produttrice per informazioni relative alla verifica del funzionamento del prodotto ed all'eventuale riparazione.

Nell'eventualità venga riscontrata una delle seguenti condizioni, o se si hanno dubbi sulla sicurezza del prodotto, si raccomanda di interrompere l'uso del prodotto e di scollegarsi dalle fonti di alimentazione e dalle linee di telecomunicazione fino a che non si contatta il Supporto tecnico per ricevere assistenza.

- Cavi di alimentazione, prese elettriche, adattatori di alimentazione, cavi di estensione, dispositivi di protezione o alimentatori danneggiati o rotti.
- Segni di surriscaldamento, fumo, scintille o fuoco.
- Danni di qualsiasi genere alla batteria (ad esempio, ammaccature, pieghe o fessure), fuoriuscita di eventuali materiali o sostanze dalla batteria.
- Emissione di rumori o forti odori derivanti dal prodotto.
- Segni di liquido versato o di un oggetto caduto sul computer, sul cavo di alimentazione o sull'adattatore di alimentazione.
- Il computer stesso, il cavo di alimentazione, l'adattatore di alimentazione sono stati esposti all'acqua.
- Caduta o danneggiamento del computer.
- Il prodotto non funziona correttamente seguendo le relative istruzioni.

Nota: se queste condizioni si verificano con un prodotto (come ad esempio un cavo di estensione) non fabbricato per o dalla Lenovo, interrompere immediatamente l'utilizzo di tale prodotto fino a quando non si ha la possibilità di contattare l'azienda produttrice per ulteriori istruzioni o fino a quando non è possibile sostituire tale prodotto.

Indicazioni di sicurezza generali

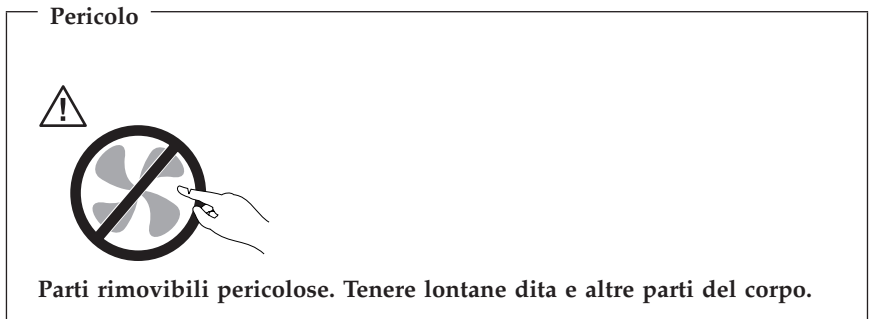
E' necessario osservare sempre le seguenti precauzioni per ridurre i rischi di pericolo e di danni alla proprietà.

Servizio ed aggiornamenti

Non tentare di provvedere personalmente alla manutenzione di un prodotto, a meno che non indicato direttamente dal Supporto tecnico o dalla documentazione inclusa. Rivolgersi solo a personale di assistenza autorizzato a riparare lo specifico prodotto.

Nota: alcune parti possono essere aggiornate o sostituite dall'utente. Gli aggiornamenti sono in genere anche noti come opzioni. Queste parti di sostituzione approvate per l'installazione del cliente sono denominate CRU (Customer Replaceable Unit). La Lenovo fornisce la documentazione con le istruzioni per la sostituzione o installazione di CRU che può essere effettuata dal cliente. È necessario seguire attentamente le istruzioni durante la sostituzione o l'installazione delle unità. Lo stato spento (Off) di un indicatore di potenza non indica necessariamente che i livelli di voltaggio in un prodotto siano pari a zero. Prima di rimuovere il coperchio da un prodotto fornito di un cavo di alimentazione CA, verificare sempre che la corrente sia spenta e che il computer non sia collegato alla presa di corrente. Per ulteriori informazioni sulle parti CRU, fare riferimento alla Guida per l'utente di questo prodotto. Per qualsiasi domanda, contattare il Supporto tecnico.

Sebbene non siano presenti parti mobili nel computer una volta scollegato il cavo di alimentazione, è importante osservare le seguenti avvertenze per la sicurezza.



Attenzione



Prima di sostituire qualsiasi parte CRU, spegnere il computer e attendere da tre a cinque minuti per lasciar raffreddare il computer prima di aprirne il coperchio.

Prevenzione dell'elettricità statica

L'elettricità statica, sebbene inoffensiva per le persone, può danneggiare seriamente i componenti e le opzioni di un computer. Una gestione impropria delle parti sensibili alla staticità può provocare danni all'unità. Quando si estrae dall'imballaggio un'opzione o un CRU, non aprire l'involucro antistatico finché non espressamente richiesto dalle istruzioni per l'installazione.

Nel maneggiare opzioni o CRU, oppure nell'eseguire operazioni all'interno del computer, rispettare le seguenti avvertenze per evitare danni causati dall'elettricità statica:

- Limitare i movimenti. Il movimento potrebbe provocare la creazione di energia statica tutt'intorno.
- Maneggiare sempre attentamente i componenti. Maneggiare gli adattatori, i moduli di memoria ed altri microprocessori del circuito dai bordi. Non toccare mai i circuiti scoperti.
- Evitare che altri tocchino i componenti.
- Quando si installa una opzione o CRU sensibile all'elettricità statica, poggiare l'involucro antistatico che contiene il componente con un coperchio metallico degli alloggiamenti di espansione o altra superficie metallica non verniciata sul computer per almeno due secondi. Ciò riduce l'elettricità statica nel pacchetto e nel corpo.
- Quando possibile, rimuovere l'unità sensibile all'elettricità statica dal relativo imballaggio ed installarla senza poggiarla su altre superfici. Quando ciò non è possibile, poggiare l'involucro antistatico su una superficie liscia e piana, quindi poggiare la parte su di esso.
- Non poggiare la parte sul coperchio del computer o su altre superfici metalliche.

Cavi e adattatori di alimentazione

Utilizzare solo cavi e adattatori forniti dal produttore.

I cavi di alimentazione dovranno essere approvati a norma di sicurezza. Per la Germania, devono essere H05VV-F, 3G, 0,75 mm² o superiore. Per tutti gli altri paesi, i tipi appropriati devono essere utilizzati di conseguenza.

Mai avvolgere un cavo di alimentazione intorno alla scheda di alimentazione o altri oggetti. In questo modo il cavo può esser sottoposto ad una sollecitazione che lo può danneggiare. Ciò potrebbe risultare in un rischio per la sicurezza.

Posizionare i cavi di alimentazione in modo che non possano essere calpestati o perforati da eventuali oggetti.

Tenere il cavo di alimentazione e i trasformatori al riparo dai liquidi. Ad esempio, non lasciare un cavo o un adattatore di alimentazione in prossimità di lavandini, vasche da bagno, gabinetti o su pavimenti che vengono lavati con detergenti liquidi. I liquidi possono causare un corto circuito, in particolare se il cavo di alimentazione o il trasformatore non sono stati utilizzati nella maniera corretta. I liquidi possono anche causare la graduale corrosione dei terminali dei cavi e/o dei connettori su un adattatore di corrente che risulta surriscaldato.

Collegare sempre i cavi di alimentazione e di segnale nell'ordine appropriato e verificare che i connettori del cavo di alimentazione siano installati e fissati correttamente.

Non utilizzare una scheda di alimentazione con pin di input CA corrosi o segni di surriscaldamento (come ad esempio plastica degradata) all'input CA o in qualsiasi altro punto della scheda di alimentazione.

Non utilizzare cavi danneggiati o i cui contatti elettrici sugli estremi presentano dei segni di corrosione o di surriscaldamento.

Interruttore di selezione del voltaggio

Alcuni computer sono equipaggiati con un interruttore di selezione del voltaggio posizionato vicino al punto di connessione del cavo di alimentazione sul computer. Se il computer dispone di un interruttore di selezione del voltaggio, di averlo impostato nella posizione corrispondente alla disponibilità di voltaggio della presa elettrica. L'impostazione dell'interruttore di selezione del voltaggio in modo non corretto, potrebbe essere causa di danni al computer.

Se il computer non dispone di un interruttore di selezione del voltaggio, il computer è progettato per operare soltanto al voltaggio fornito nel paese o regione dove è stato originariamente acquistato.

Se si dovesse spostare il computer in un altro paese, fare attenzione a quanto segue:

- Se il computer non dispone di un interruttore di selezione del voltaggio, non collegare il computer ad una presa elettrica finché non si è sicuri che il voltaggio fornito sia lo stesso di quello fornito nel paese o regione dove il computer è stato originariamente acquistato.
- Se il computer dispone di un interruttore di selezione del voltaggio, non collegarlo ad una presa elettrica finché non si è sicuri che lo stesso non sia impostato nella posizione corrispondente al voltaggio fornito nel paese o regione in cui si è collocati.

Se non si è sicuri del voltaggio fornito dalla presa elettrica, contattare l'azienda locale fornitrice di energia elettrica o fare riferimento ai siti Web ufficiali o ad altri scritti per i viaggiatori nel paese o regione dove si è collocati.

Cavi di estensione e dispositivi correlati

Verificare che i cavi telefonici, i dispositivi di protezione, gli alimentatori e i nastri di alimentazione utilizzati siano in grado di gestire i requisiti elettrici del prodotto. Non sovraccaricare questi dispositivi. Se si utilizzano i nastri dell'alimentazione, il carico non deve superare il potenziamento di immissione dei nastri dell'alimentazione. Per ulteriori informazioni sui carichi dell'alimentazione, sui requisiti dell'alimentazione e sui potenziamenti di immissione, rivolgersi ad un elettricista.

Spine e prese

Se la presa elettrica che si intende utilizzare per l'apparecchiatura sembra danneggiata o corrosa, non utilizzarla fino a quando non viene sostituita da un elettricista specializzato.

Non piegare o modificare in alcun modo la spina. Se la spina è danneggiata, rivolgersi all'azienda produttrice per ottenerne la sostituzione.

Non condividere una presa elettrica con altri dispositivi domestici o commerciali che utilizzano grandi quantità di elettricità; una tensione non stabile potrebbe, altrimenti, causare danni al computer, ai dati o alle periferiche collegate.

Alcuni prodotti dispongono di una spina a tre prolunghe. Questa spina può essere collegata solo ad una presa elettrica dotata di messa a terra di sicurezza. Si tratta di una funzione di sicurezza. Non tentare di inserire questa spina in una presa elettrica non dotata di messa a terra di sicurezza. Se non si riesce ad inserire la spina nella presa elettrica, richiedere ad un elettricista un'adattatore per la presa elettrica o la sostituzione di quest'ultima con una presa con la quale è possibile utilizzare questa funzione di sicurezza. Non sovraccaricare le prese elettriche. Il carico generale del sistema non deve superare l'80 per cento

del potenziamento del circuito derivato. Per ulteriori informazioni sui carichi dell'alimentazione e sul potenziamento del circuito derivato, rivolgersi ad un elettricista.

Verificare che la presa elettrica utilizzata sia collegata correttamente, sia facilmente accessibile e collocata vicino all'apparecchiatura. Non sottoporre ad eccessiva tensione i cavi.

Assicurarsi che la presa di corrente fornisca la corretta tensione per il prodotto.

Collegare e scollegare con cautela l'apparecchiatura dalla presa elettrica.

Periferiche esterne

Non collegare o scollegare cavi di periferiche esterne tranne quelli USB e 1394, finché il computer è acceso, poiché ciò potrebbe causare danni al computer. Per evitare eventuali danni alle periferiche collegate, attendere almeno cinque secondi dopo che il computer è stato spento prima di scollegare le periferiche esterne.

Batterie

Tutti i personal computer prodotti dalla Lenovo contengono una piccola batteria non ricaricabile per alimentare l'orologio del sistema. Inoltre, molti prodotti mobili, quali i notebook, utilizzano batterie ricaricabili per alimentare il sistema quando non è possibile collegarlo ad un'alimentazione elettrica. Le batterie fornite dalla Lenovo sono state collaudate per verificarne la compatibilità, quindi è necessario sostituirle solo con parti approvate.

Non aprire o riparare la batteria. Non rompere, forare o incenerire la batteria oppure cortocircuitare i contatti della batteria stessa. Non esporre la batteria a sostanze liquide. Ricaricare la batteria seguendo le istruzioni che si trovano nella documentazione del prodotto.

Una errata manutenzione della batteria può causarne il surriscaldamento, che a sua volta comporta la "fuoriuscita" di gas o liquido infiammabile dalla batteria. Se la batteria è danneggiata oppure si verifica la perdita di qualsiasi sostanza dalla batteria, richiederne la sostituzione.

Le batterie possono deteriorarsi se non vengono utilizzate per lunghi periodi di tempo. Per alcune batterie (in particolare quelle al Litio), il non utilizzo potrebbe aumentare i rischi di corto circuito della batteria stessa che potrebbe diminuire la durata della batteria e creare situazioni di pericolo per l'utente. Evitare di lasciare le batterie ricaricabili al litio completamente scariche.

Surriscaldamento e ventilazione del prodotto

Computer, adattatori CA e molti altri accessori possono generare calore quando accesi e quando le batterie sono in carica. Attenersi alle precauzioni fondamentali di seguito riportate:

- Non lasciare il computer, l'adattatore CA o altri accessori in contatto con la pelle o altre parti del corpo per un periodo prolungato durante il caricamento della batteria o quando il computer è in funzione. Il computer, l'adattatore CA ed altri accessori producono calore durante la normale operatività. Il contatto prolungato con il corpo può causare bruciature della pelle.
- Non caricare la batteria o far funzionare il computer, l'adattatore CA o gli accessori nei pressi di materiali infiammabili o in ambienti con pericolo di esplosioni.
- Per la sicurezza del prodotto, comfort e affidabilità, con il prodotto vengono forniti alloggiamenti di ventilazione, ventole e dissipatori di calore. Queste funzioni possono essere bloccate inavvertitamente posizionando il computer sul letto, sul divano, sul tappeto o su superfici flessibili. Mai bloccare, occludere o disabilitare queste funzioni.

È necessario controllare l'accumulo di polvere nel computer almeno una volta ogni tre mesi. Prima di effettuare qualsiasi controllo, scollegare il computer e disinserire i cavi di alimentazione della presa elettrica poi rimuovere qualsiasi accumulo di polvere dai fori di ventilazione e dai fori della mascherina. Se si nota un accumulo di polvere all'esterno del computer, controllare e rimuovere la polvere al suo interno includendo le alette di aspirazione del dissipatore di calore, l'alimentatore dei fori di ventilazione e le ventole. Spegnerne sempre il computer e scollegarlo prima di aprire il coperchio. Se possibile, evitare di operare sul computer vicino ad aree a traffico intenso. Se è necessario lavorare in un'area trafficata o vicino ad essa, allora controllare e, se necessario, pulire il computer più frequentemente.

Per la propria sicurezza e per mantenere le prestazioni del computer ad un livello ottimale, seguire sempre queste precauzioni di base:

- Tenere sempre chiuso il computer quando è collegato alla rete elettrica.
- Controllare regolarmente la parte esterna del computer per evitare accumulo di polvere.
- Rimuovere la polvere dalle fessure di ventilazione e dai fori nella mascherina. Effettuare controlli più frequenti, se si lavora in ambienti polverosi o in aree a traffico intenso.
- Non restringere o ostruire alcuna apertura per la ventilazione.
- Non posizionare e non lavorare con il computer all'interno di mobili chiusi, in quanto si potrebbero verificare problemi di surriscaldamento.
- Le temperature dei flussi di aria all'interno del computer non devono superare i 35° C 95° F).

- Non utilizzare dispositivi di filtraggio aria diversi dal desktop.

Ambiente di lavoro

L'ambiente di lavoro ottimale in cui utilizzare il computer è 10°C-35°C (50°F-95°F) con un'umidità compresa tra 35% e 80%. Se il computer è conservato o trasportato con temperature inferiori ai 10°C (50°F), attendere che lo stesso arrivi gradualmente ad una temperatura di esercizio ottimale di 10°C-35°C (50°F-95°F) prima di utilizzarlo. Tale processo potrebbe richiedere due ore in condizioni particolarmente rigide. La mancata osservanza di questa precauzione potrebbe causare danni irreparabili al computer.

Se possibile, sistemare il computer in aree ventilate e asciutte senza esposizione diretta al sole.

Tenere dispositivi elettronici come ventole elettriche, radio, altoparlanti di grande potenza, condizionatori e forni a microonde lontano dal computer, poiché i forti campi magnetici generati da tali dispositivi possono danneggiare il monitor e i dati contenuti nel disco rigido.

Non mettere bevande sopra o al lato del computer o di altre periferiche collegate. Se il liquido si sparge nel computer o nelle periferiche collegate potrebbe verificarsi un corto circuito o altri danni.

Non mangiare o fumare davanti alla tastiera. Le particelle che vi finiscono dentro possono provocare danni.

Informazioni sulla sicurezza della corrente elettrica

Pericolo

La corrente elettrica proveniente dai cavi di alimentazione, del telefono e di comunicazione può essere pericolosa.

Per evitare il pericolo di scosse elettriche:

- Per prevenire il rischio di di scosse, non utilizzare il computer durante una tempesta di lampi.
- Durante i temporali, non collegare o scollegare cavi, non effettuare l'installazione, la manutenzione o la riconfigurazione di questo prodotto.
- Collegare tutti i cavi di alimentazione ad una presa elettrica collegata correttamente e con presa di terra.
- Collegare alle prese elettriche appropriate tutte le apparecchiature che verranno utilizzate per questo prodotto.

- Quando possibile, utilizzare una sola mano per collegare o scollegare i cavi di segnale.
- Non accendere assolutamente apparecchiature in presenza di incendi, perdite d'acqua o danno strutturale.
- Scollegare i cavi di alimentazione, i sistemi di telecomunicazione, le reti e il modem prima di aprire i coperchi del dispositivo, salvo istruzioni contrarie relative alle procedure di installazione e configurazione.
- Collegare e scollegare i cavi come di seguito indicato quando si installano, si trasportano o si aprono i coperchi di questo prodotto e delle unità ad esso collegate.

Per collegare:	Per scollegare:
1. Spegnerne tutto.	1. Spegnerne tutte le unità.
2. Prima di tutto, collegare tutti i cavi alle unità.	2. Rimuovere i cavi di alimentazione dalle prese elettriche.
3. Collegare i cavi di segnale ai rispettivi connettori.	3. Rimuovere i cavi di segnale dai connettori.
4. Inserire i cavi di alimentazione nelle prese elettriche.	4. Rimuovere tutti i cavi dalle unità.
5. Accendere l'unità (ON).	

Avviso sulla batteria al litio

Attenzione
Pericolo di esplosione se la batteria non è sostituita correttamente.

Quando si sostituisce la batteria al litio a forma di moneta, utilizzare solo quelle dello stesso tipo o di tipo equivalente, raccomandato dal costruttore. La batteria contiene litio e può esplodere se usata, maneggiata o smaltita in modo non corretto.

Non:

- Gettare o immergere la batteria nell'acqua
- Riscaldarla a una temperatura superiore ai 100°C
- Smontarla, ricaricarla o tentare di ripararla

Le batterie usate vanno smaltite in accordo alla normativa in vigore (DPR 915/82 e successive disposizioni e disposizioni locali).

Le seguenti istruzioni vengono applicate dagli utenti dello Stato della California, U.S.A.

Materiale perclorato: è possibile applicare una gestione speciale. Vedere www.dtsc.ca.gov/hazardouswaste/perchlorate.

Informazioni sulla sicurezza del modem

Attenzione

Per evitare il rischio di incendio, utilizzare solamente un cavo di linea di comunicazione No. 26 AWG o più grande.

Per evitare il rischio di incendio, scosse elettriche o danni personali nell'uso di un'apparecchiatura telefonica, seguire sempre alcune precauzioni di base, quali quelle riportate di seguito:

- Non installare un collegamento telefonico durante un temporale.
- Non installare connettori telefonici in ambienti umidi, a meno che si utilizzino un connettore specificamente progettato per questi ambienti.
- Non toccare cavi telefonici non isolati o terminali finché l'interfaccia di rete non viene scollegata dalla linea telefonica.
- Effettuare con cautela le operazioni di installazione o modifica delle linee telefoniche.
- Evitare di utilizzare un telefono (eccetto uno wireless) durante un temporale. In casi rari potrebbe verificarsi il rischio di scosse elettriche a causa dei lampi.
- Per denunciare una fuga di gas, non utilizzare il telefono in prossimità della fuga stessa.

Dichiarazione di conformità relativa al laser

Alcuni modelli di personal computer vengono forniti con un'unità CD o DVD. Le unità CD e DVD sono vendute separatamente come opzioni. Le unità CD e DVD sono prodotti laser. L'unità CD-ROM è certificata negli U.S.A. in conformità ai requisiti del Department of Health and Human Services 21 Code of Federal Regulations (DHHS 21 CFR) Subchapter J per i prodotti laser di Class 1. Negli altri Paesi queste unità sono certificate in conformità ai requisiti della International Electrotechnical Commission (IEC) 60825-1 e CENELEC EN 60 825-1 per i prodotti laser di Classe 1.

Quando un'unità CD o DVD viene installata, tenere presente quanto riportato di seguito.

Attenzione

L'utilizzo di controlli, regolazioni o l'esecuzione di procedure non descritte nel presente manuale possono provocare l'esposizione a radiazioni pericolose.

Non rimuovere i coperchi delle unità. L'apertura di un'unità CD o DVD può determinare l'esposizione a raggi laser pericolosi. All'interno dell'unità CD o DVD non vi sono parti su cui l'utente può intervenire personalmente.

Alcune unità CD o DVD contengono un diodo laser di Classe 3A o Classe 3B. Tenere presente quanto riportato di seguito.

Pericolo

Aperto l'unità vengono emesse radiazioni laser. Non fissare il fascio, non guardarlo direttamente con strumenti ottici ed evitare l'esposizione al fascio.

Alimentatore

Non rimuovere mai il coperchio di un alimentatore o qualsiasi componente dotato della seguente etichetta allegata.



I livelli di energia, di tensione e corrente sono presenti all'interno dei componenti dotati di questa etichetta allegata. All'interno dell'unità non vi sono parti su cui effettuare l'assistenza tecnica. Se si sospetta di un problema relativo ad uno di questi componenti, contattare l'assistenza tecnica.

Prodotti con installato sintonizzatore TV

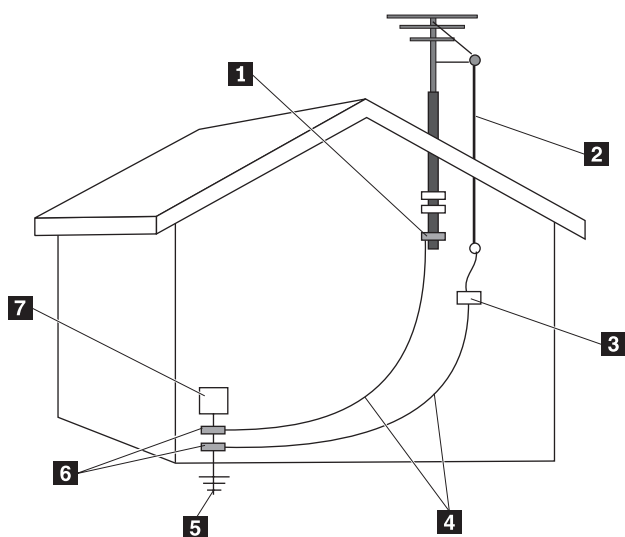
L'avviso riportato di seguito viene applicato ai prodotti contenenti periferiche di sintonizzazione TV che vengono connesse ad antenne esterne o a sistemi via cavo/CATV o entrambi, progettati per essere installati in Nord America. Gli utenti e gli installatori in altri paesi devono seguire le norme e le ordinanze locali per le installazioni di apparecchiature che necessitano di connessione ad

antenne esterne o a sistemi via cavo/CATV. Se le norme locali non dovessero essere applicabili, si raccomanda che gli utenti/installatori seguano direttive simili alle seguenti.

Nota per gli installatori di sistemi CATV

Questo promemoria viene fornito per richiamare l'attenzione dell'installatore di sistemi CATV in base all'articolo 820-40 del NEC (National Electrical Code) (NEC) che stabilisce le direttive per l'opportuna messa a terra e che specifica, in particolare, che la messa a terra vada collegata al sistema di alimentazione dell'edificio, il più vicino possibile all'ingresso del cavo, per praticità.

Esempio di messa a terra di una antenna



- | | | | |
|----------|----------------------------------------------------|----------|--------------------------------------------------------------------------------------------------|
| 1 | Morsetto a terra | 5 | Sistema di elettrodi con messa a terra del servizio di alimentazione (articolo NEC 250, parte H) |
| 2 | Cavo antenna lead-in | 6 | Morsetti a terra |
| 3 | Unità di scaricamento antenna (sezione NEC 810-20) | 7 | Equipaggiamento assistenza elettronica |
| 4 | Conduttori messa a terra (sezione NEC 810-21) | | |

Figura 1. Corretta messa a terra del cavo

Il seguente avviso viene applicato a tutti i paesi e regioni:

Pericolo



Messa a terra di una antenna all'aperto

Se sono collegati all'equipaggiamento un'antenna esterna o un cavo di sistema, assicurarsi che l'antenna o il cavo siano collegati a massa per fornire una protezione contro l'aumento di tensione e l'incremento di cariche statiche.

Fulmine

Per ulteriore protezione di questo equipaggiamento durante una tempesta di fulmini o quando viene lasciato incustodito ed inutilizzato per un lungo periodo di tempo, scollegarlo dalla presa a parete e disconnettere l'antenna o il cavo di sistema. Questo preverrà danni al prodotto video causati da fulmini e dall'aumento di energia delle linee di alimentazione.

Linee di alimentazione

Un sistema ad antenna esterna non deve essere posizionato in vicinanza di linee di alimentazione aeree o laddove venga convogliato in tali circuiti o linee di alimentazione. Durante l'installazione di un sistema ad antenna esterna, è necessario avere estrema cura nel toccare tali circuiti o linee di alimentazione, in quanto il contatto potrebbe essere fatale.

Sicurezza dei dati

Non eliminare file sconosciuti, né modificare il nome di file o directory non direttamente create o altrimenti il software del computer può smettere di funzionare.

Quando si accede alle risorse di rete il computer è vulnerabile a virus, hacker, spyware ed altre malevoli attività che possono causare danni al computer, ai dati o al software. È responsabilità dell'utente assicurarsi che il computer abbia una protezione adeguata sottoforma di firewall, software antivirus e antispyware e aggiornare regolarmente il software.

Pulizia e manutenzione

Tenere puliti il computer e l'area di lavoro. Spegnerne il computer e quindi scollegare il cavo di alimentazione prima di pulirlo. Non spruzzare detergenti liquidi direttamente sul computer e non utilizzare detergenti che contengano materiale infiammabile per pulire il computer. Spruzzare il detergente su un panno morbido e passarlo sulle superfici del computer.

Utilizzo di cuffie o auricolari

Se il computer dispone di un connettore delle cuffie e un connettore di uscita audio, utilizzare sempre il connettore delle cuffie per le cuffie (anche chiamate cuffie auricolari) o auricolari.

L'eccessivo uso di cuffie o auricolari per un lungo periodo di tempo ad alto volume può essere pericoloso se le cuffie o le auricolari non sono conformi alle specifiche dell'EN 50332-2. Il connettore di uscita cuffie del computer è conforme con la sotto clausola 5.1 dell'EN 50332-2. Questa specifica limita il voltaggio massimo di output RMS reale della banda larga a 150mV. Per aiuto contro la perdita di udito, assicurarsi che le cuffie o le auricolari utilizzate siano conformi con l'EN 50332-2 (sottoclausola 6.1) per caratteristiche a banda larga con voltaggio di 75mV. L'utilizzo di cuffie non conformi con la EN 50332-2 può essere pericoloso a causa degli eccessivi livelli di pressione del suono.

Se il computer Lenovo è fornito di cuffie o auricolari nell'imballaggio, come un set, la combinazione di cuffie o auricolari ed il computer sono già conformi con le specifiche della EN 50332-1. Se vengono utilizzate diverse cuffie o auricolari, assicurarsi che siano conformi con la EN 50332-2. (sottoclausola 6.1) per caratteristiche a banda larga con voltaggio di 75mV. L'utilizzo di cuffie non conformi con la EN 50332-2 può essere pericoloso a causa degli eccessivi livelli di pressione del suono.

Ulteriori informazioni sulla sicurezza

Le buste di plastica possono essere pericolose. Tenerle lontane da neonati e bambini per prevenire il rischio di soffocamento.

Capitolo 2. Informazioni

Dopo aver installato il computer seguendo le operazioni descritte nel poster di installazione allegato, fare uso delle informazioni contenute in questa pagina per avere accesso ad utili risorse relative alle vostre esigenze di elaborazione.

Cartella Online Books

La cartella Manuali in linea fornisce pubblicazioni che aiutano a eseguire le operazioni di set up e ad utilizzare il computer. La cartella Online Books è preinstallata sul computer, e non necessita di accesso a Internet per visualizzare le pubblicazioni. Nella cartella Online Books sono disponibili le seguenti pubblicazioni:

- *Guida per l'utente*

Questa pubblicazione fornisce informazioni relative all'installazione del computer, nonché di contenuti opzionali e software di ripristino, all'utilizzo della Setup Utility, all'aggiornamento dei programmi di sistema e alla risoluzione dei problemi.

- *Guida alla sostituzione dell'hardware*

Questa pubblicazione fornisce istruzioni dettagliate per la sostituzione delle Customer Replacement Units (CRU) nel vostro computer. Le CRU sono parti del computer che possono essere aggiornate o sostituite dall'utente.

Per visualizzare una pubblicazione, aprire il menu Start dal desktop di Windows, selezionare **Tutti i programmi**, selezionare **Manuali in linea** e fare clic su **Manuali in linea**. Fare doppio clic sulla pubblicazione appropriata per il computer. Le pubblicazioni sono disponibili anche sul sito web di Lenovo all'indirizzo <http://www.lenovo.com>.

Note:

1. Queste pubblicazioni sono in formato PDF (Portable Document Format), che necessita dell'installazione di Adobe Acrobat Reader. Se non è ancora stato installato Adobe Acrobat Reader sul vostro computer, sarà visualizzato un messaggio ogni volta che si cerca di visualizzare un file in formato PDF e si sarà guidati all'installazione di Adobe Acrobat Reader.
2. Le pubblicazioni che sono preinstallate sul vostro computer sono disponibili in altre lingue sul sito di supporto Lenovo all'indirizzo <http://www.lenovo.com/support/>.
3. Se si desidera installare una versione in una lingua diversa di Adobe Acrobat Reader rispetto a quella fornita con il computer, consultare il sito web Adobe, all'indirizzo <http://www.adobe.com> e scaricare la versione che si intende utilizzare.

ThinkVantage Productivity Center

Il programma ThinkVantage® Productivity Center guida verso una grande risorsa di fonti di informazione e di tool, progettati per semplificare l'elaborazione e renderla più sicura, e nel contempo ridurre i costi ed incrementare la produttività. Il programma ThinkVantage Productivity Center aiuta ad installare, capire e gestire il computer.

Il programma ThinkVantage Productivity Center fornisce informazioni sul computer e su come accedere facilmente a varie tecnologie, quali ad esempio:

- Il programma Rescue and Recovery
- Productivity Center
- Client Security Solutions
- Factory Recovery
- Aggiornamenti di sistema
- Servizio e assistenza

Nota: le Tecnologie ThinkVantage sono disponibili solo su alcuni computer Lenovo.

Per accedere al programma ThinkVantage Productivity Center, aprire il menu Start dal desktop di Windows, selezionare **Tutti i programmi**, selezionare **ThinkVantage** e fare clic su **Productivity Center**.

Accesso all'Help

Il sistema di aiuto in linea Access Help fornisce informazioni relative al primo approccio, alle attività di base, alla personalizzazione delle impostazioni personali, alla protezione dei dati, all'espansione e all'aggiornamento, e alla risoluzione dei problemi.

Per aprire Access Help, aprire il menu Start dal desktop di Windows, selezionare **Tutti i programmi**, selezionare **ThinkVantage** e fare clic su **Access Help**. Dopo aver aperto Access Help, utilizzare il pannello a sinistra per selezionare dalla scheda Contenuti o Indice, o utilizzare la scheda Ricerca per trovare una parola o una frase particolare.

www.lenovo.com

Il sito Web Lenovo (www.lenovo.com) fornisce una grande quantità di informazioni e servizi per aiutarvi ad acquistare, aggiornare e gestire il vostro computer. Sul sito web di Lenovo è possibile accedere alle informazioni più aggiornate per il proprio computer. Dal sito Web www.lenovo.com, è possibile quanto segue:

- Acquistare computer desktop e notebook, schermi, proiettori, aggiornamenti e accessori per il computer, e trovare offerte speciali.
- Acquistare servizi addizionali, quali il supporto per l'hardware, sistemi operativi, programmi applicativi, l'installazione e la configurazione di rete, e le installazioni personalizzate.
- Acquistare aggiornamenti e servizi estesi di riparazione hardware.
- Scaricare i programmi di controllo unità e aggiornamenti software più recenti per il proprio modello di computer.
- Accedere a manuali in linea per i propri prodotti.
- Accedere alla dichiarazione di garanzia Lenovo (Statement of Limited Warranty).
- Accedere alle informazioni di supporto e risoluzione problemi per il proprio modello di computer e altri prodotti di supporto.
- Trovare il numero di telefono del centro di assistenza e supporto della propria regione o del proprio paese.
- Trovare il fornitore di servizi più vicino.

Registrazione delle informazioni del computer

La registrazione delle informazioni sul computer può essere utile nel caso in cui sia necessario richiedere assistenza tecnica. I tecnici probabilmente richiederanno tali informazioni.

Il tipo di macchina, il modello e il numero di serie sono riportati su un'etichetta posta sul computer. Per registrare tali informazioni, utilizzare la tabella riportata di seguito.

Nome prodotto	_____
Tipo di macchina e modello	_____
Numero di serie (S/N)	_____
Data di acquisto	_____

È possibile registrare il computer in Internet al seguente sito Web:

<http://www.lenovo.com/register>

La registrazione del computer comporta i seguenti vantaggi:

- Un servizio più rapido per le richieste di assistenza

- Un avviso automatico del software gratis disponibile e delle offerte promozionali particolari

Per ulteriori informazioni relative alla registrazione del computer, fare riferimento al sistema di aiuto in linea Accesso all'help. Consultare "Accesso all'Help" a pagina 264 per istruzioni su come aprire il sistema di assistenza in linea.

Capitolo 3. Dichiarazione di garanzia limitata Lenovo

LSOLW-00 05/2005

Parte 1 - Disposizioni Generali

Questa Dichiarazione di Garanzia limitata comprende Parte 1 - Disposizioni Generali, Parte 2 - Clausole specifiche ai singoli paesi e Parte 3 - Informazioni relative alla Garanzia. Le clausole della Parte 2 sostituiscono o modificano quelle della Parte 1. Le garanzie fornite da Lenovo in questa Dichiarazione di Garanzia limitata si applicano solo a Macchine acquistate per utilizzo privato e non per rivendita. Il termine "Macchina" indica una macchina Lenovo, le sue opzioni, funzioni, conversioni, aggiornamenti, accessori o qualsiasi loro combinazione. Il termine "Macchina" non si riferisce al software, sia preinstallato sulla macchina che installato successivamente. Nessuna disposizione delle seguenti condizioni di garanzia limitata invalida i diritti del consumatore che, per contratto, non possono subire limitazioni.

Cosa comprende questa Garanzia

Lenovo garantisce che ogni Macchina 1) è priva di difetti nei materiali e nella fattura e 2) è conforme alle Specifiche ufficiali pubblicate da Lenovo ("Specifiche") che sono disponibili su richiesta. Il periodo di garanzia per la Macchina ha inizio alla Data di Installazione originaria ed è specificato nella Parte 3 - Informazioni relative alla Garanzia. La data sulla propria fattura o sulla ricevuta costituisce la data di installazione a meno che Lenovo o il proprio rivenditore non comunichino diversamente. A meno che Lenovo non specifichi diversamente, tali garanzie si applicano solo al paese o alla regione in cui è stata acquistata la Macchina.

TALI GARANZIE COSTITUISCONO LE GARANZIE ESCLUSIVE DELL'UTILIZZATORE E SOSTITUISCONO TUTTE LE ALTRE GARANZIE O CONDIZIONI, ESPRESSE O IMPLICITE, IVI INCLUSE, A TITOLO ESEMPLIFICATIVO, GARANZIE O CONDIZIONI IMPLICITE DI COMMERCIALIZZABILITÀ ED IDONEITÀ PER UNO SCOPO PARTICOLARE. POICHÉ LA LEGISLAZIONE DI ALCUNI PAESI NON CONSENTE L'ESCLUSIONE DELLE GARANZIE ESPRESSE O IMPLICITE, LA SUDETTA ESCLUSIONE POTREBBE NON ESSERE APPLICABILE. IN TAL CASO, QUESTE GARANZIE SONO LIMITATE AL PERIODO DI DURATA DELLA GARANZIA STESSA. NESSUNA GARANZIA E' PREVISTA DOPO QUESTO PERIODO. LA LEGISLAZIONE DI ALCUNI STATI NON CONSENTE LIMITAZIONI BASATE SULLA DURATA DI UNA GARANZIA IMPLICITA, LA SUDETTA LIMITAZIONE PUÒ NON ESSERE APPLICABILE.

Cosa non comprende questa Garanzia

Questa garanzia non comprende quanto segue:

- qualsiasi programma software, se precaricato, fornito con la macchina o installato in seguito;
- guasto derivante da un errato utilizzo, incidente, modifica, inadatto ambiente fisico o operativo oppure una impropria manutenzione;
- guasto causato da un prodotto per cui Lenovo non è responsabile; e
- qualsiasi prodotto non Lenovo, inclusi quelli che Lenovo può procurare e fornire con o integrare in una Macchina Lenovo su richiesta dell'utilizzatore.

La garanzia viene invalidata dalla rimozione o alterazione delle etichette identificative della Macchina o dei relativi componenti.

La Lenovo non garantisce un funzionamento della macchina ininterrotto e privo di errori.

Eventuale assistenza tecnica fornita per una macchina in garanzia, ad esempio l'assistenza mediante domande "come fare per", e domande relative all'installazione e alla configurazione della macchina, viene fornita **SENZA ALCUN TIPO DI GARANZIA**.

Come ottenere il Servizio di Garanzia

Il servizio di garanzia può essere fornito da Lenovo, IBM®, dal rivenditore, se autorizzato a fornire servizio di garanzia, o da un fornitore del servizio garanzia autorizzato. Ad essi si fa riferimento come "Provider del servizio."

Se la Macchina non funziona come garantito durante il periodo di garanzia, contattare il Provider del servizio. Se non si è registrata la Macchina con Lenovo, è possibile richiedere di presentare la prova d'acquisto a testimonianza della propria titolarità al servizio di garanzia.

Risoluzione dei problemi da parte di Lenovo

Quando si richiede assistenza ad un Provider del servizio, è necessario seguire la determinazione del problema e le procedure di risoluzione specificate. Una diagnosi iniziale del problema può essere eseguita da un tecnico mediante telefono o elettronicamente accedendo ad un sito Web di supporto.

Il tipo di servizio di garanzia applicabile alla propria Macchina è specificato nella Parte 3 - Informazioni relative alla Garanzia.

Si è responsabili del download e dell'installazione di designati aggiornamenti software scaricati da un sito Web di supporto o da altri supporti elettronici, e di seguire le istruzioni fornite dal Provider del servizio. Gli aggiornamenti software possono includere codici di sistemi input/output di base (denominati "BIOS"), programmi di utilità, driver del dispositivo e altri aggiornamenti software.

Se il problema può essere risolto con un'unità "CRU" (Customer Replaceable Unit) (ad esempio, tastiera, mouse, altoparlante, memoria, unità disco fisso), il Provider del servizio consegnerà tali parti da sostituire.

Se la Macchina non funziona come garantito durante il periodo di garanzia e non è possibile risolvere il problema telefonicamente o elettronicamente, tramite l'applicazione degli aggiornamenti software o tramite una CRU, il Provider del servizio a sua discrezione, 1) la riparerà affinché funzioni come garantito o 2) la sostituirà con un'altra con funzioni equivalenti. Se il Provider del servizio non riesce ad effettuare alcuna delle due alternative, è possibile riportare la Macchina al luogo dell'acquisto ed avere il rimborso.

Come parte del servizio di garanzia, il Provider del servizio può anche installare modifiche (EC) alla Macchina.

Sostituzione di una Macchina o di una sua parte

Quando il servizio di garanzia interessa la sostituzione di una Macchina o di una sua parte, il componente sostituito diventa di proprietà della Lenovo', mentre il nuovo componente installato dell'utente. Si afferma che tutti gli articoli sostituiti sono di buona qualità ed inalterati. Le parti fornite in sostituzione potrebbero non essere nuove, ma in buone condizioni di funzionamento e funzionalmente equivalenti al componente sostituito. La sostituzione assume lo stato del servizio di garanzia dell'articolo sostituito.

Responsabilità dell'utilizzatore aggiuntive

Prima che avvenga la sostituzione della Macchina o di una parte di essa da parte del Provider del servizio, è necessario che l'utente acconsenta alla rimozione di tutti i dispositivi, componenti, opzioni, collegamenti non coperti da garanzia.

Inoltre, si accetta di:

1. assicurarsi che la Macchina sia priva di obblighi o limitazioni legali che ne impediscono la sostituzione;
2. ottenere autorizzazione dal proprietario per il servizio di garanzia da parte del Provider del servizio su una Macchina non in proprio possesso; e
3. prima che il servizio venga fornito, laddove applicabile:
 - a. seguire le procedure di richiesta assistenza fornite dal provider di servizi;
 - b. effettuare il backup o assicurare tutti i programmi, i dati ed i fondi contenuti nella Macchina; e
 - c. consentire al Provider del servizio di accedere a tutti i programmi al fine di agevolare il servizio di assistenza.
4. (a) assicurare che tutte le informazioni su individui identificati o identificabili (Dati Personali) sia cancellato dalla Macchina (nei limiti tecnicamente possibili), (b) consentire al Provider del servizio o da un fornitore di elaborare per proprio conto qualsiasi Dato Personale restante

come il Provider del servizio ritenga necessario per adempiere ai propri obblighi in base alla presente Dichiarazione di Garanzia limitata (che può includere la consegna della Macchina per tale elaborazione ad altre ubicazioni di servizio nel mondo) e (c) assicurare che tale elaborazione sia conforme alle leggi applicabili a tali Dati Personali.

Limitazione di responsabilità

Lenovo è responsabile per la perdita di, o danni alla Macchina solo mentre è 1) in possesso del Provider del servizio o 2) in fase di transito nei casi in cui Lenovo è responsabile per i canoni di spostamento.

Né Lenovo né il Provider del servizio sono responsabili di alcuna informazione riservata, sulla proprietà o personale contenuta in una Macchina restituita a Lenovo per qualsiasi motivo. È necessario rimuovere tutte queste informazioni prima di consegnare la Macchina ad IBM.

Possono verificarsi circostanze in cui, a causa di un errore da parte di Lenovo o per responsabilità di terzi, si ha il diritto di richiedere i danni a Lenovo. In tal caso, senza considerare la base sulla quale si ha il diritto di risarcimento danni da Lenovo (inclusi reato grave, negligenza, erronea dichiarazione o altre pretese relative al contratto o al torto), fatta salva qualsiasi responsabilità a cui non si può rinunciare o limitata dalle leggi applicabili, Lenovo è responsabile solo per

1. danni fisici (incluso il decesso) e danni tangibili al patrimonio e alla proprietà personale per cui Lenovo è legalmente responsabile; e
2. la somma di qualunque altro danno diretto, fino all'importo totale della Macchina oggetto del reclamo.

Tali limitazioni sono applicabili ai rivenditori e fornitori Lenovo e al Provider del servizio. Ciò rappresenta il massimo per cui Lenovo, i suoi fornitori, rivenditori e il Provider del servizio sono collettivamente responsabili.

IN NESSUN CASO LENOVO, I SUOI FORNITORI, RIVENDITORI O IL PROVIDER DEL SERVIZIO SONO RESPONSABILI PER QUANTO SEGUE ANCHE SE INFORMATI DELLA POSSIBILE VERIFICARSI DI TALI DANNI: 1) PRETESE DI RISARCIMENTO DA PARTE DI TERZI (DIVERSE DA QUELLE ELENCALE NEL SUDDETTO ARTICOLO); 2) PERDITA DI, O DANNO A DATI; 3) DANNI SPECIALI, INCIDENTALI O INDIRETTI O QUALSIASI DANNO CONSEGUENZIALE; O 4) PERDITA DI PROFITTI, MANCATO GUADAGNO, BENEFICIO O RISPARMIO ANTICIPATO. POICHÉ LA LEGISLAZIONE DI ALCUNI PAESI NON CONSENTE L'ESCLUSIONE O LA LIMITAZIONE DI DANNI INCIDENTALI O CONSEGUENZIALI, LE SUDDETTE ESCLUSIONI O LIMITAZIONI POTREBBERO NON ESSERE APPLICABILI.

Legge regolatrice

Sia l'utilizzatore sia Lenovo acconsentono all'applicazione delle leggi del paese in cui è stata acquisita la Macchina per regolare, interpretare e fa rispettare tutti i diritti, i doveri e gli obblighi di Lenovo e dell'utilizzatore derivanti da o in qualsiasi modo relativi all'oggetto della presente Dichiarazione di Garanzia limitata, senza creare conflitto con i principi di legge.

TALI GARANZIE DANNO SPECIFICI DIRITTI LEGALI ED E' ANCHE POSSIBILE OTTENERE ALTRI DIRITTI CHE POSSONO VARIARE DA STATO A STATO, DA GIURISDIZIONE A GIURISDIZIONE.

Giurisdizione

Tutti i diritti, i doveri e gli obblighi dell'utilizzatore sono soggetti ai tribunali del paese in cui è stata acquisita la Macchina.

Parte 2 - Clausole specifiche ai singoli paesi

AMERICHE

ARGENTINA

Giurisdizione: *il seguente testo è stato aggiunto dopo la prima frase:*

Any litigation arising from this Statement of Limited Warranty will be settled exclusively by the Ordinary Commercial Court of the city of Buenos Aires.

BOLIVIA

Giurisdizione: *il seguente testo è stato aggiunto dopo la prima frase:*

Any litigation arising from this Statement of Limited Warranty will be settled exclusively by the courts of the city of La Paz.

BRASILE

Giurisdizione: *il seguente testo è stato aggiunto dopo la prima frase:*

Any litigation arising from this Statement of Limited Warranty will be settled exclusively by the court of Rio de Janeiro, RJ.

CILE

Giurisdizione: *il seguente testo è stato aggiunto dopo la prima frase:*

Any litigation arising from this Statement of Limited Warranty will be settled exclusively by the Civil Courts of Justice of Santiago.

COLOMBIA

Giurisdizione: *il seguente testo è stato aggiunto dopo la prima frase:*

Any litigation arising from this Statement of Limited Warranty will be settled exclusively by the Judges of the Republic of Colombia.

ECUADOR

Giurisdizione: *il seguente testo è stato aggiunto dopo la prima frase:*

Any litigation arising from this Statement of Limited Warranty will be settled exclusively by the Judges of Quito.

MESSICO

Giurisdizione: *il seguente testo è stato aggiunto dopo la prima frase:*

Any litigation arising from this Statement of Limited Warranty will be settled exclusively by the Federal Courts of Mexico City, Federal District.

PARAGUAY

Giurisdizione: *il seguente testo è stato aggiunto dopo la prima frase:*

Any litigation arising from this Statement of Limited Warranty will be settled exclusively by the courts of the city of Asuncion.

PERÙ

Giurisdizione: *il seguente testo è stato aggiunto dopo la prima frase:*

Any litigation arising from this Statement of Limited Warranty will be settled exclusively by the Judges and Tribunals of the Judicial District of Lima, Cercado.

Limitazione di responsabilità: *Quando segue si aggiunge alla fine di questa sezione:*

In accordance with Article 1328 of the Peruvian Civil Code the limitations and exclusions specified in this section will not apply to damages caused by Lenovo's willful misconduct ("dolo") or gross negligence ("culpa inexcusable").

URUGUAY

Giurisdizione: *il seguente testo è stato aggiunto dopo la prima frase:*

Any litigation arising from this Statement of Limited Warranty will be settled exclusively by the City of Montevideo Court's Jurisdiction.

VENEZUELA

Giurisdizione: *il seguente testo è stato aggiunto dopo la prima frase:*

Any litigation arising from this Statement of Limited Warranty will be settled exclusively by the Courts of the Metropolitan Area Of the City of Caracas.

NORD AMERICA

Come ottenere il Servizio di Garanzia: *Quando segue si aggiunge a questa Sezione:*

To obtain warranty service from IBM service in Canada or the United States, call 1-800-426-7378.

CANADA

Limitazione di Responsabilità: *Quando segue sostituisce l'articolo 1 di questa sezione:*

1. damages for bodily injury (including death) or physical harm to real property and tangible personal property caused by Lenovo's negligence; and

Legge governativa: *Quanto segue sostituisce "laws of the country in which you acquired the Machine" nella prima frase:*
laws in the Province of Ontario.

STATI UNITI

Legge governativa: *Quanto segue sostituisce "laws of the country in which you acquired the Machine" nella prima frase:*
laws of the State of New York.

ASIA del PACIFICO

AUSTRALIA

Cosa copre questa Garanzia: *Il seguente paragrafo si aggiunge a questa Sezione:*
The warranties specified in this Section are in addition to any rights you may have under the Trade Practices Act 1974 or other similar legislation and are only limited to the extent permitted by the applicable legislation.

Limitazione di Responsabilità: *Quanto segue si aggiunge a questa sezione:*
Where Lenovo is in breach of a condition or warranty implied by the Trade Practices Act 1974 or other similar legislation, Lenovo's liability is limited to the repair or replacement of the goods or the supply of equivalent goods. Where that condition or warranty relates to right to sell, quiet possession or clear title, or the goods are of a kind ordinarily acquired for personal, domestic or household use or consumption, then none of the limitations in this paragraph apply.

Legge governativa: *Quanto segue sostituisce "laws of the country in which you acquired the Machine" nella prima frase:*
laws of the State or Territory.

CAMBODIA E LAOS

Legge regolatrice: *Quanto segue sostituisce "leggi del paese in cui è stata acquisita la Macchina" nella prima frase:*
laws of the State of New York, United States of America.

CAMBODIA, INDONESIA E LAOS

Arbitrato: *Quanto segue si aggiunge sotto l'intestazione:*
Disputes arising out of or in connection with this Statement of Limited Warranty shall be finally settled by arbitration which shall be held in Singapore in accordance with the Arbitration Rules of Singapore International Arbitration Center ("SIAC Rules") then in effect. The arbitration award shall be

final and binding for the parties without appeal and shall be in writing and set forth the findings of fact and the conclusions of law.

The number of arbitrators shall be three, with each side to the dispute being entitled to appoint one arbitrator. The two arbitrators appointed by the parties shall appoint a third arbitrator who shall act as chairman of the proceedings. In caso di mancanza del presidente, il suo posto verrà preso dal presidente del SIAC. Other vacancies shall be filled by the respective nominating party. Proceedings shall continue from the stage they were at when the vacancy occurred.

If one of the parties refuses or otherwise fails to appoint an arbitrator within 30 days of the date the other party appoints its, the first appointed arbitrator shall be the sole arbitrator, provided that the arbitrator was validly and properly appointed.

All proceedings shall be conducted, including all documents presented in such proceedings, in the English language. The English language version of this Statement of Limited Warranty prevails over any other language version.

HONG KONG S.A.R. DI CINA E MACAU S.A.R. DI CINA

Legge regolatrice: *Quanto segue sostituisce "leggi del paese in cui è stata acquisita la Macchina" nella prima frase:*
laws of Hong Kong Special Administrative Region of China.

INDIA

Limitazione di Responsabilità: *Quanto segue sostituisce gli articoli 1 e 2 di questa Sezione:*

1. liability for bodily injury (including death) or damage to real property and tangible personal property will be limited to that caused by Lenovo's negligence; and
2. as to any other actual damage arising in any situation involving nonperformance by Lenovo pursuant to, or in any way related to the subject of this Statement of Limited Warranty, the charge paid by you for the individual Machine that is the subject of the claim.

Arbitro: *Quanto segue si aggiunge sotto questa intestazione*
Disputes arising out of or in connection with this Statement of Limited Warranty shall be finally settled by arbitration which shall be held in Bangalore, India in accordance with the laws of India then in effect. The arbitration award shall be final and binding for the parties without appeal and shall be in writing and set forth the findings of fact and the conclusions of law.

The number of arbitrators shall be three, with each side to the dispute being entitled to appoint one arbitrator. The two arbitrators appointed by the parties shall appoint a third arbitrator who shall act as chairman of the proceedings. Vacancies in the post of chairman shall be filled by the president of the Bar

Council of India. Other vacancies shall be filled by the respective nominating party. Proceedings shall continue from the stage they were at when the vacancy occurred.

If one of the parties refuses or otherwise fails to appoint an arbitrator within 30 days of the date the other party appoints its, the first appointed arbitrator shall be the sole arbitrator, provided that the arbitrator was validly and properly appointed.

All proceedings shall be conducted, including all documents presented in such proceedings, in the English language. The English language version of this Statement of Limited Warranty prevails over any other language version.

GIAPPONE

Legge governativa: *In questa sezione è stato aggiunto il seguente testo:*

Any doubts concerning this Statement of Limited Warranty will be initially resolved between us in good faith and in accordance with the principle of mutual trust.

MALESIA

Limitazione di responsabilità: la parola "*SPECIAL*" nel punto 3 del quinto paragrafo viene eliminata.

NUOVA ZELANDA

Cosa copre questa Garanzia: *Il seguente paragrafo si aggiunge a questa Sezione:*

The warranties specified in this section are in addition to any rights you may have under the Consumer Guarantees Act 1993 or other legislation which cannot be excluded or limited. The Consumer Guarantees Act 1993 will not apply in respect of any goods which Lenovo provides, if you require the goods for the purposes of a business as defined in that Act.

Limitazioni di responsabilità: *In questa sezione viene aggiunto il seguente testo:*

Where Machines are not acquired for the purposes of a business as defined in the Consumer Guarantees Act 1993, the limitations in this Section are subject to the limitations in that Act.

REPUBBLICA POPOLARE CINESE (PRC)

Legge regolatrice: *Quanto segue sostituisce "leggi del paese in cui è stata acquisita la Macchina" nella prima frase:*

laws of the State of New York, United States of America (except when local law requires otherwise).

FILIPPINE

Limitazione di Responsabilità: *L'articolo 3 nel quinto paragrafo è sostituito da quanto segue:*

SPECIAL (INCLUDING NOMINAL AND EXEMPLARY DAMAGES), MORAL, INCIDENTAL, OR INDIRECT DAMAGES FOR ANY ECONOMIC CONSEQUENTIAL DAMAGES; OR

Arbitrato: Quanto segue si aggiunge sotto questa intestazione Disputes arising out of or in connection with this Statement of Limited Warranty shall be finally settled by arbitration which shall be held in Metro Manila, Philippines in accordance with the laws of the Philippines then in effect. The arbitration award shall be final and binding for the parties without appeal and shall be in writing and set forth the findings of fact and the conclusions of law.

The number of arbitrators shall be three, with each side to the dispute being entitled to appoint one arbitrator. The two arbitrators appointed by the parties shall appoint a third arbitrator who shall act as chairman of the proceedings. Vacancies in the post of chairman shall be filled by the president of the Philippine Dispute Resolution Center, Inc.. Other vacancies shall be filled by the respective nominating party. Proceedings shall continue from the stage they were at when the vacancy occurred.

If one of the parties refuses or otherwise fails to appoint an arbitrator within 30 days of the date the other party appoints its, the first appointed arbitrator shall be the sole arbitrator, provided that the arbitrator was validly and properly appointed.

All proceedings shall be conducted, including all documents presented in such proceedings, in the English language. The English language version of this Statement of Limited Warranty prevails over any other language version.

SINGAPORE

Limitazione di Responsabilità: *Le parole "SPECIAL" ed "ECONOMIC" nell'articolo 3 nel quinto paragrafo sono cancellate.*

EUROPA, MEDIO ORIENTE, AFRICA (EMEA)

LE SEGUENTI CLAUSOLE SI APPLICANO A TUTTI I PAESI EMEA:

Le clausole delle presente Dichiarazione di Garanzia limitata si applicano alle Macchine acquistate da Lenovo o da un rivenditore Lenovo.

Come ottenere i Servizio di Garanzia:

*Aggiungere il seguente paragrafo in **Europa occidentale** (Andorra, Austria, Belgio, Cipro, Repubblica ceca, Danimarca, Estonia, Finlandia, Francia, Germania, Grecia, Ungheria, Groenlandia, Irlanda, Italia, Lettonia, Liechtenstein, Lituania, Lussemburgo, Malta, Monaco, Paesi bassi, Norvegia, Polonia, Portogallo, San Marino, Slovacchia, Slovenia, Spagna, Svezia, Svizzera, Regno Unito, Stato Vaticano e qualunque altro stato successivamente aggiunto all'Europa occidentale, a partire dalla data di accesso):*

La garanzia per le macchine acquistate in Europa occidentale risulterà valida e applicabile in tutti i paesi dell'Europa occidentale a condizione che le macchine siano state dichiarate e rese disponibili in quei paesi.

Se si acquista una Macchina in uno dei paesi dell'Europa occidentale, come definito, è possibile ottenere il servizio di garanzia per tale Macchina in uno di questi paesi da un provider di servizi, che ha fornito la Macchina, resa disponibile nei paesi in cui è possibile reperire il servizio di garanzia.

Se è stato acquistato un Personal Computer IBM in Albania, Armenia, Bielorussia, Bosnia e Erzegovina, Bulgaria, Croazia, Repubblica Ceca, Georgia, Ungheria, Kazakistan, Kirgizstan, Repubblica Federale della Jugoslavia, Repubblica di Macedonia ex Jugoslavia (FYROM), Moldavia, Polonia, Romania, Russia, Repubblica Slovacca, Slovenia o Ucraina, è possibile ottenere il servizio di garanzia per la macchina in uno qualsiasi di questi paesi rivolgendosi sia ad un provider di servizi per l'esecuzione del servizio di garanzia che (2) presso la Lenovo.

Se si acquista una Macchina in un paese del Medio Oriente o Africa, è possibile ottenere il servizio di garanzia per quella Macchina dal Provider del servizio all'interno del paese di acquisto, se la Macchina è stata commercializzata e resa disponibile dalla Lenovo stessa nel paese in cui si desidera ottenere tale servizio. Il servizio di Garanzia in Africa è disponibile entro 50 chilometri dal Provider del servizio. Si è responsabili dei costi di trasporto per le Macchine che si trovano oltre 50 KM da un Provider del servizio.

Legge governativa:

La frase "le leggi del paese in cui è stata acquistata la Macchina" viene sostituita da:

- 1) "le leggi dell'Austria" in **Albania, Armenia, Azerbaijan, Bielorussia, Bosnia-Erzegovina, Bulgaria, Croazia, Georgia, Ungheria, Kazakistan, Kirgizstan, FYR Macedonia, Moldova, Polonia, Romania, Russia, Slovacchia, Slovenia, Tajikistan, Turkmenistan, Ucraina, Uzbekistan, e FR Jugoslavia;** 2) "le leggi della Francia" in **Algeria, Benin, Burkina Faso, Cameroon, Capo Verde, Repubblica Africana Centrale, Ciad, Comore, Repubblica del Congo, Djibouti, Repubblica Democratica del Congo, Guinea Equatoriale, Guiana Francese, Polinesia Francese, Gabon, Gambia, Guinea, Guinea-Bissau, Costa d'avorio, Libano, Madagascar, Mali, Mauritania, Mauritius, Mayotte, Marocco, Nuova Caledonia, Niger, Reunion, Senegal, Seychelles, Togo, Tunisia, Vanuatu, e Wallis & Futuna;** 3) "le leggi della Finlandia" in **Estonia, Lettonia e Lituania;** 4) "le leggi d'Inghilterra" in **Angola, Bahrain, Botswana, Burundi, Egitto, Eritrea, Etiopia, Ghana, Giordania, Kenya, Kuwait, Liberia, Malawi, Malta, Mozambico, Nigeria, Oman, Pakistan, Qatar, Rwanda, Sao Tome, Arabia Saudita, Sierra Leone, Somalia, Tanzania, Uganda, Emirati Arabi Uniti, Regno Unito, West Bank/Gaza, Yemen, Zambia, e Zimbabwe;** e 5) "le leggi del Sud Africa" in **Sud Africa, Namibia, Lesotho e Swaziland.**

Giurisdizione: *Le seguenti eccezioni vanno aggiunte a questa sezione:*

1) **In Austria** la scelta della giurisdizione per tutte le controversie derivanti da questo Accordo di Garanzia limitata e ad esso relative o, inclusa la sua esistenza, sarà di competenza del tribunale di Vienna, Austria (città interna); 2) **in Angola, Bahrain, Botswana, Burundi, Egitto, Eritrea, Etiopia, Ghana, Giordania, Kenia, Kuwait, Liberia, Malawi, Malta, Mozambico, Nigeria, Oman, Pakistan, Qatar, Ruanda, Sao Tome, Arabia Saudita, Sierra Leone, Somalia, Tanzania, Uganda, Emirati Arabi Uniti, West Bank/Gaza, Yemen, Zambia e Zimbabwe** tutte le controversie derivanti da questo Accordo di Garanzia limitata o relative alla sua esecuzione, inclusi i processi sommari, saranno sottoposte all'esclusiva giurisdizione dei tribunali inglesi; 3) **in Belgio e Lussemburgo**, sono competenti tutte le controversie al di fuori da questo Accordo di Garanzia limitata o relative alla loro interpretazione o esecuzione, la legge e il tribunale della capitale, del paese della sede legale e/o del sito commerciale; 4) **in France, Algeria, Benin, Burkina Faso, Camerun, Capo Verde, Repubblica dell'Africa centrale, Chad, Comorre, Repubblica del Congo, Gibuti, Repubblica democratica del Congo, Guinea Equatoriale, Guinea francese, Polinesia francese, Gabon, Gambia, Guinea, Guinea Bissau, Costa d'Avorio, Libano, Madagascar, Mali, Mauritania, Mauritius, Mayotte, Marocco, Nuova Caledonia, Niger, Reunion, Senegal, Seychelles, Togo, Tunisia, Vanuatu, e Wallis & Futuna** tutte le controversie derivanti da questa Dichiarazione di Garanzia limitata o relative alla sua violazione o esecuzione, inclusi i processi sommari, saranno trattate esclusivamente dal Tribunale Commerciale di Parigi; 5) **in Russia**, tutte le controversie derivanti da o relative all'interpretazione, la violazione, la rescissione, l'annullamento dell'esecuzione di questa Dichiarazione di Garanzia limitata saranno di competenza del Tribunale dell'Arbitrato di Mosca; 6) **in Sud Africa, Namibia, Lesotho e Swaziland**, entrambe le parti accettano di sottoporre le controversie relative a questa Dichiarazione di Garanzia limitata alla giurisdizione dell'Alta Corte a Johannesburg; 7) **in Turchia** tutte le controversie derivanti da o in connessione con questa Dichiarazione di Garanzia limitata saranno risolte dalle Corti Centrali di Istanbul (Sultanahmet) e dai Direttorati Esecutivi di Istanbul, repubblica della Turchia; 8) in ciascuno dei seguenti paesi, qualsiasi pretesa legale derivante da questa Dichiarazione di Garanzia limitata sarà portata davanti e risolta esclusivamente dal tribunale competente di a) Atene per la **Grecia**, b) Tel Aviv-Jaffa per **Israele**, c) Milano per l'**Italia**, d) Lisbona per il **Portogallo**, e e) Madrid per la **Spagna**; e 9) **nel Regno Unito**, entrambe le parti accettano di sottoporre le controversie relative a questa Dichiarazione di Garanzia limitata alla giurisdizione dei tribunali inglesi.

Arbitrato: *Quanto segue si aggiunge sotto l'intestazione:*

In Albania, Armenia, Azerbaijan, Bielorussia, Bosnia-Erzegovina, Bulgaria, Croazia, Georgia, Ungheria, Kazakistan, Kirgizstan, FYR Macedonia, Moldova, Polonia, Romania, Russia, Slovacchia, Slovenia, Tajikistan, Turkmenistan, Ucraina, Uzbekistan, e FR Jugoslavia tutte le controversie derivanti da questa Dichiarazione di Garanzia limitata o relative alla sua violazione, rescissione o annullamento saranno risolte in base alle Regole di

Arbitrato e Conciliazione dell'International Arbitral Center della Federal Economic Chamber a Vienna (Regole di Vienna Rules) da tre arbitri nominati in conformità con tali Regole. Il processo verrà tenuto in Vienna, Austria, e la lingua ufficiale sarà l'inglese. La decisione degli arbitri sarà decisiva e vincolante per entrambe le parti. Quindi, oltre al paragrafo 598 (2) del codice austriaco della procedura civile, le parti rinunciano espressamente all'applicazione del paragrafo 595 (1), figura 7, del codice. Ad ogni modo, Lenovo può istituire processi in una corte competente nel paese di installazione.

In Estonia, Lettonia e Lituania tutte le controversie derivanti da questa Dichiarazione di Garanzia limitata saranno risolte in arbitrato che si terrà ad Helsinki, Finlandia in conformità alle leggi d'arbitrato della Finlandia allora in vigore. Ogni parte nominerà un arbitro. Gli arbitri unitamente nomineranno il presidente. Nel caso in cui gli arbitri non concordino sulla scelta del presidente, allora questi sarà nominato dalla Camera Centrale di Commercio di Helsinki.

UNIONE EUROPEA (UE)

LE SEGUENTI CLAUSOLE SI APPLICANO A TUTTI I PAESI EU:

La garanzia per Macchine acquisite nell'Unione Europea sarà valida ed applicabile in tutti i paesi dell'Unione Europea a condizione che le Macchine siano state annunciate e rese disponibili in tali paesi.

Come ottenere il Servizio di Garanzia: *Quanto segue si aggiunge alla presente sezione:*

Per ottenere il servizio di garanzia dalla IBM in un paese europeo, consultare l'elenco dei numeri telefonici nella Parte 3 - Informazioni sulla garanzia.

È possibile contattare il supporto IBM ai seguenti indirizzi:

IBM Warranty & Service
Quality Dept. PO Box 30 Spango Valley Greenock Scotland
PA16 0AH

CONSUMATORI

I consumatori dell'Unione Europea sono tutelati dalla legislazione nazionale che regola la vendita dei beni al consumatore. Tali diritti non sono interessati dalle garanzie fornite in questa Dichiarazione di Garanzia limitata.

AUSTRIA, DANIMARCA, FINLANDIA, GRECIA, ITALIA, PAESI BASSI, NORVEGIA, PORTOGALLO, SPAGNA, SVEZIA E SVIZZERA

Limitazione di Responsabilità: *Quanto segue sostituisce le clausole di questa sezione nella loro interezza:*

Salvo quanto espressamente fornito da norme inderogabili di legge:

1. La responsabilità di Lenovo per qualsiasi danno e perdita derivante a seguito dell'adempimento dei suoi obblighi in base a o in associazione con

questa Dichiarazione di Garanzia limitata o dovuti ad altre cause relative alla presente Dichiarazione di garanzia limitata si limita al risarcimento solo di quei danni e perdite provati e realmente derivanti come conseguenza immediata e diretta del non adempimento di tali obblighi (in caso di difetto da parte di Lenovo) o di tale causa, per una somma massima pari ai canoni pagati per la Macchina.

La suddetta limitazione non si applicherà ai danni alle persone (incluso il decesso) e ai danni al patrimonio e alla proprietà privata per cui Lenovo è legalmente responsabile.

2. **IN NESSUN CASO LA LENOVO È RESPONSABILE PER: 1) PERDITA O DANNI AI DATI; 2) DANNI INDIRETTI O ACCIDENTALI O EVENTUALI DANNI ECONOMICI CONSEGUENZIALI 3) MANCATI PROFITTI, ANCHE SE RIPORTATI COME CONSEGUENZA DELL'EVENTO CHE HA GENERATO IL DANNO; 4) MANCATI GUADAGNI, ENTRATE, RAPPORTI COMMERCIALI O RISPARMI ANTICIPATI.**

FRANCIA E BELGIO

Limitazione di Responsabilità: *Quanto segue sostituisce le clausole di questa sezione nella loro interezza:*

Salvo quanto espressamente fornito da norme inderogabili di legge:

1. La responsabilità di Lenovo per qualsiasi danno e perdita derivante a seguito dell'adempimento dei suoi obblighi in base a o in associazione con questa Dichiarazione di Garanzia limitata si limita al risarcimento solo di quei danni e perdite provati e realmente derivanti come conseguenza immediata e diretta del non adempimento di tali obblighi (in caso di difetto da parte di Lenovo), per una somma massima pari ai canoni pagati per la Macchina che ha causato i danni.

La suddetta limitazione non si applicherà ai danni alle persone (incluso il decesso) e ai danni al patrimonio e alla proprietà privata per cui Lenovo è legalmente responsabile.

2. **IN NESSUN CASO LA LENOVO È RESPONSABILE PER: 1) PERDITA O DANNI AI DATI; 2) DANNI INDIRETTI O ACCIDENTALI O EVENTUALI DANNI ECONOMICI CONSEGUENZIALI 3) MANCATI PROFITTI, ANCHE SE RIPORTATI COME CONSEGUENZA DELL'EVENTO CHE HA GENERATO IL DANNO; 4) MANCATI GUADAGNI, ENTRATE, RAPPORTI COMMERCIALI O RISPARMI ANTICIPATI.**

LE SEGUENTI CLAUSOLE SI APPLICANO AL PAESE SPECIFICATO:

AUSTRIA

I termini di questa Dichiarazione di Garanzia Limitata sostituiscono eventuali garanzie ufficiali applicabili.

Cosa copre questa Garanzia: *Quanto segue sostituisce la prima frase del primo paragrafo di questa sezione:*

The warranty for a Lenovo Machine covers the functionality of the Machine for its normal use and the Machine's conformity to its Specifications.

I seguenti paragrafi vanno aggiunti a questa Sezione:

The limitation period for consumers in action for breach of warranty is the statutory period as a minimum. In case your Service Provider is unable to repair a Lenovo Machine, you can alternatively ask for a partial refund as far as justified by the reduced value of the unrepaired Machine or ask for a cancellation of the respective agreement for such Machine and get your money refunded.

Il secondo paragrafo non si applica.

Risoluzione dei problemi da parte della Lenovo: *In questa sezione è stato aggiunto quanto segue:*

Durante il periodo di garanzia, le spese per il trasporto della macchina malfunzionante all'assistenza IBM verranno rimborsate dalla Lenovo.

Limitazione di Responsabilità *Il seguente paragrafo si aggiunge a questa sezione:*
The limitations and exclusions specified in the Statement of Limited Warranty will not apply to damages caused by Lenovo with fraud or gross negligence and for express warranty.

La seguente frase va aggiunta alla fine dell'articolo 2:

Lenovo's liability under this item is limited to the violation of essential contractual terms in cases of ordinary negligence.

EGITTO

Limitazione di Responsabilità: *Quanto segue sostituisce l'articolo 2 di questa sezione:*

as to any other actual direct damages, Lenovo's liability will be limited to the total amount you paid for the Machine that is the subject of the claim.

Applicability of suppliers, resellers, and Service Providers (unchanged).

FRANCIA

Limitazione di Responsabilità: *Quanto segue sostituisce la seconda frase del primo paragrafo di questa sezione:*

In such instances, regardless of the basis on which you are entitled to claim damages from Lenovo, Lenovo is liable for no more than: (items 1 and 2 unchanged).

GERMANIA

Cosa copre questa Garanzia: *Quanto segue sostituisce la prima frase del primo paragrafo di questa sezione:*

The warranty for a Lenovo Machine covers the functionality of the Machine for its normal use and the Machine's conformity to its Specifications.

I seguenti paragrafi vanno aggiunti a questa Sezione:

The minimum warranty period for Machines is twelve months. In case your Service Provider is unable to repair a Lenovo Machine, you can alternatively ask for a partial refund as far as justified by the reduced value of the unrepaired Machine or ask for a cancellation of the respective agreement for such Machine and get your money refunded.

Il secondo paragrafo non si applica.

Risoluzione dei problemi da parte della Lenovo: *In questa sezione è stato aggiunto quanto segue:*

During the warranty period, transportation for delivery of the failing Machine to Lenovo or IBM service will be at Lenovo's expense.

Limitazione di Responsabilità *Il seguente paragrafo si aggiunge a questa sezione:*
The limitations and exclusions specified in the Statement of Limited Warranty will not apply to damages caused by Lenovo with fraud or gross negligence and for express warranty.

La seguente frase va aggiunta alla fine dell'articolo 2:

Lenovo's liability under this item is limited to the violation of essential contractual terms in cases of ordinary negligence.

UNGHERIA

Limitazione di responsabilità: *Quanto segue si aggiunge alla fine di questa sezione:*
The limitation and exclusion specified herein shall not apply to liability for a breach of contract damaging life, physical well-being, or health that has been caused intentionally, by gross negligence, or by a criminal act.

The parties accept the limitations of liability as valid provisions and state that the Section 314.(2) of the Hungarian Civil Code applies as the acquisition price as well as other advantages arising out of the present Statement of Limited Warranty balance this limitation of liability.

IRLANDA

Cosa comprende questa Garanzia: *Quanto segue si aggiunge a questa sezione:*
Except as expressly provided in these terms and conditions, all statutory conditions, including all warranties implied, but without prejudice to the generality of the foregoing all warranties implied by the Sale of Goods Act 1893 or the Sale of Goods and Supply of Services Act 1980 are hereby excluded.

Limitazione di Responsabilità: *Quanto segue sostituisce le clausole di questa sezione nella loro interezza:*

For the purposes of this section, a “Default” means any act, statement, omission, or negligence on the part of Lenovo in connection with, or in relation to, the subject matter of this Statement of Limited Warranty in respect of which Lenovo is legally liable to you, whether in contract or tort. A number of Defaults which together result in, or contribute to, substantially the same loss or damage will be treated as one Default occurring on the date of occurrence of the last such Default.

Circumstances may arise where, because of a Default, you are entitled to recover damages from Lenovo.

This section sets out the extent of Lenovo’s liability and your sole remedy.

1. Lenovo will accept unlimited liability for death or personal injury caused by the negligence of Lenovo.
2. Subject always to the **Items for Which Lenovo is Not Liable** below, Lenovo will accept unlimited liability for physical damage to your tangible property resulting from the negligence of Lenovo.
3. Except as provided in items 1 and 2 above, Lenovo’s entire liability for actual damages for any one Default will not in any event exceed 125% of the amount you paid for the Machine directly relating to the Default.

Items for Which Lenovo is Not Liable

Save with respect to any liability referred to in item 1 above, under no circumstances is Lenovo, its suppliers, resellers or Service Providers liable for any of the following, even if Lenovo or they were informed of the possibility of such losses:

1. loss of, or damage to, data;
2. special, indirect, or consequential loss; or
3. mancati profitti, affari, guadagni, benefici o risparmi anticipati.

SLOVACCHIA

Limitazione di Responsabilità: *Quanto segue si aggiunge alla fine dell’ultimo paragrafo:*

The limitations apply to the extent they are not prohibited under §§ 373-386 of the Slovak Commercial Code.

SUD AFRICA, NAMIBIA, BOTSWANA, LESOTHO E SWAZILAND

Limitazione di Responsabilità: *Quanto segue si aggiunge a questa sezione:*

Lenovo’s entire liability to you for actual damages arising in all situations involving nonperformance by Lenovo in respect of the subject matter of this Statement of Warranty will be limited to the charge paid by you for the individual Machine that is the subject of your claim from Lenovo.

REGNO UNITO

Limitazione di Responsabilità: *Quanto segue sostituisce le clausole di questa sezione nella loro interezza:*

For the purposes of this section, a “Default” means any act, statement, omission, or negligence on the part of Lenovo in connection with, or in relation to, the subject matter of this Statement of Limited Warranty in respect of which Lenovo is legally liable to you, whether in contract or tort. A number of Defaults which together result in, or contribute to, substantially the same loss or damage will be treated as one Default.

Circumstances may arise where, because of a Default, you are entitled to recover damages from Lenovo.

This section sets out the extent of Lenovo’s liability and your sole remedy.

1. Lenovo will accept unlimited liability for:
 - a. death or personal injury caused by the negligence of Lenovo; and
 - b. any breach of its obligations implied by Section 12 of the Sale of Goods Act 1979 or Section 2 of the Supply of Goods and Services Act 1982, or any statutory modification or re-enactment of either such Section.
2. Lenovo will accept unlimited liability, subject always to the **Items for Which Lenovo is Not Liable** below, for physical damage to your tangible property resulting from the negligence of Lenovo.
3. Lenovo’s entire liability for actual damages for any one Default will not in any event, except as provided in items 1 and 2 above, exceed 125% of the total purchase price payable or the charges for the Machine directly relating to the Default.

These limits also apply to Lenovo’s suppliers, resellers and Service Providers. They state the maximum for which Lenovo and such suppliers, resellers and Service Providers are collectively responsible.

Items for Which Lenovo is Not Liable

Save with respect to any liability referred to in item 1 above, under no circumstances is Lenovo or any of its suppliers, resellers or Service Providers liable for any of the following, even if Lenovo or they were informed of the possibility of such losses:

1. loss of, or damage to, data;
2. special, indirect, or consequential loss; or
3. mancati profitti, affari, guadagni, benefici o risparmi anticipati.

Parte 3 - Informazioni sulla garanzia

Questa Parte 3 fornisce informazioni relative alla garanzia applicabile alla macchina di cui si dispone, compreso il periodo e il tipo di servizio di garanzia fornito dalla Lenovo.

Periodo di garanzia

Il periodo di garanzia può variare da paese a paese ed è specificato nella seguente tabella. NOTA: "Regione" può indicare Hong Kong o Macau la regione amministrativa speciale della Cina.

Un periodo di garanzia di 1 anno per le parti e di 1 anno per l'assistenza indica che la Lenovo fornisce il servizio di garanzia durante il primo anno di garanzia.

Tipo di macchina	Paese o regione di acquisto	Periodo di garanzia	Tipi di servizi di garanzia
6490	Stati Uniti, Angola, Botswana, Burundi, Eritrea, Etiopia, Ghana, Kenya, Liberia, Malawi, Malta, Mozambico, Nigeria, Rwanda, Sao Tome, Sierra Leone, Somalia, Tanzania, Uganda, Zambia, Zimbabwe, Argentina, Bolivia, Belize, Brasile, Cile, Colombia, Costa Rica, Repubblica Dominicana, Ecuador, El Salvador, Guatemala, Haiti, Honduras, Messico, Nicaragua, Panama, Paraguay, Perù, Uruguay, Venezuela, Brasile, Europa, Medio Oriente, Africa, Australia, Nuova Zelanda, Singapore, Malaysia, Tailandia, Indonesia, Filippine, Vietnam, Brunei, Sri Lanka, Bangladesh, India, Corea, Hong Kong, Taiwan, (RPC) Cina, Giappone	Parti e assistenza - 3 anni	5
6491	Stati Uniti, Angola, Botswana, Burundi, Eritrea, Etiopia, Ghana, Kenya, Liberia, Malawi, Malta, Mozambico, Nigeria, Rwanda, Sao Tome, Sierra Leone, Somalia, Tanzania, Uganda, Zambia, Zimbabwe, Argentina, Bolivia, Belize, Brasile, Cile, Colombia, Costa Rica, Repubblica Dominicana, Ecuador, El Salvador, Guatemala, Haiti, Honduras, Messico, Nicaragua, Panama, Paraguay, Perù, Uruguay, Venezuela, Brasile, Europa, Medio Oriente, Africa, Australia, Nuova Zelanda, Singapore, Malaysia, Tailandia, Indonesia, Filippine, Vietnam, Brunei, Sri Lanka, Bangladesh, India, Corea, Hong Kong, Taiwan, (RPC) Cina, Giappone	Parti e assistenza - 3 anni	5

Tipo di macchina	Paese o regione di acquisto	Periodo di garanzia	Tipi di servizi di garanzia
8013	Stati Uniti, Angola, Botswana, Burundi, Eritrea, Etiopia, Ghana, Kenya, Liberia, Malawi, Malta, Mozambico, Nigeria, Rwanda, Sao Tome, Sierra Leone, Somalia, Tanzania, Uganda, Zambia, Zimbabwe, Argentina, Bolivia, Belize, Brasile, Cile, Colombia, Costa Rica, Repubblica Dominicana, Ecuador, El Salvador, Guatemala, Haiti, Honduras, Messico, Nicaragua, Panama, Paraguay, Perù, Uruguay, Venezuela, Brasile, Europa, Medio Oriente, Africa, Australia, Nuova Zelanda, Singapore, Malaysia, Tailandia, Indonesia, Filippine, Vietnam, Brunei, Sri Lanka, Bangladesh, India, Corea, Hong Kong, Taiwan, (PRC) Cina	Parti e assistenza - 1 anno	5
8013	Giappone	Parti e assistenza - 1 anno	6
8700	Stati Uniti, Angola, Botswana, Burundi, Eritrea, Etiopia, Ghana, Kenya, Liberia, Malawi, Malta, Mozambico, Nigeria, Rwanda, Sao Tome, Sierra Leone, Somalia, Tanzania, Uganda, Zambia, Zimbabwe, Argentina, Bolivia, Belize, Brasile, Cile, Colombia, Costa Rica, Repubblica Dominicana, Ecuador, El Salvador, Guatemala, Haiti, Honduras, Messico, Nicaragua, Panama, Paraguay, Perù, Uruguay, Venezuela, Brasile, Europa, Medio Oriente, Africa, Australia, Nuova Zelanda, Singapore, Malaysia, Tailandia, Indonesia, Filippine, Vietnam, Brunei, Sri Lanka, Bangladesh, India, Corea, Hong Kong, Taiwan, (PRC) Cina	Parti e assistenza - 1 anno	5
8700	Giappone	Parti e assistenza - 1 anno	6
8701	Stati Uniti, Angola, Botswana, Burundi, Eritrea, Etiopia, Ghana, Kenya, Liberia, Malawi, Malta, Mozambico, Nigeria, Rwanda, Sao Tome, Sierra Leone, Somalia, Tanzania, Uganda, Zambia, Zimbabwe, Argentina, Bolivia, Belize, Brasile, Cile, Colombia, Costa Rica, Repubblica Dominicana, Ecuador, El Salvador, Guatemala, Haiti, Honduras, Messico, Nicaragua, Panama, Paraguay, Perù, Uruguay, Venezuela, Brasile, Europa, Medio Oriente, Africa, Australia, Nuova Zelanda, Singapore, Malaysia, Tailandia, Indonesia, Filippine, Vietnam, Brunei, Sri Lanka, Bangladesh, India, Corea, Hong Kong, Taiwan, (PRC) Cina	Parti e assistenza - 1 anno	5

Tipo di macchina	Paese o regione di acquisto	Periodo di garanzia	Tipi di servizi di garanzia
8701	Giappone	Parti e assistenza - 1 anno	6
8702	Stati Uniti, Angola, Botswana, Burundi, Eritrea, Etiopia, Ghana, Kenya, Liberia, Malawi, Malta, Mozambico, Nigeria, Rwanda, Sao Tome, Sierra Leone, Somalia, Tanzania, Uganda, Zambia, Zimbabwe, Argentina, Bolivia, Belize, Brasile, Cile, Colombia, Costa Rica, Repubblica Dominicana, Ecuador, El Salvador, Guatemala, Haiti, Honduras, Messico, Nicaragua, Panama, Paraguay, Perù, Uruguay, Venezuela, Brasile, Europa, Medio Oriente, Africa, Australia, Nuova Zelanda, Singapore, Malaysia, Tailandia, Indonesia, Filippine, Vietnam, Brunei, Sri Lanka, Bangladesh, India, Corea, Hong Kong, Taiwan, (PRC) Cina	Parti e assistenza - 1 anno	5
8702	Giappone	Parti e assistenza - 1 anno	6
8705	Stati Uniti, Angola, Botswana, Burundi, Eritrea, Etiopia, Ghana, Kenya, Liberia, Malawi, Malta, Mozambico, Nigeria, Rwanda, Sao Tome, Sierra Leone, Somalia, Tanzania, Uganda, Zambia, Zimbabwe, Argentina, Bolivia, Belize, Brasile, Cile, Colombia, Costa Rica, Repubblica Dominicana, Ecuador, El Salvador, Guatemala, Haiti, Honduras, Messico, Nicaragua, Panama, Paraguay, Perù, Uruguay, Venezuela, Brasile, Europa, Medio Oriente, Africa, Australia, Nuova Zelanda, Singapore, Malaysia, Tailandia, Indonesia, Filippine, Vietnam, Brunei, Sri Lanka, Bangladesh, India, Corea, Hong Kong, Taiwan, (PRC) Cina	Parti e assistenza - 1 anno	5
8705	Giappone	Parti e assistenza - 1 anno	6

Tipo di macchina	Paese o regione di acquisto	Periodo di garanzia	Tipi di servizi di garanzia
8706	Stati Uniti, Angola, Botswana, Burundi, Eritrea, Etiopia, Ghana, Kenya, Liberia, Malawi, Malta, Mozambico, Nigeria, Rwanda, Sao Tome, Sierra Leone, Somalia, Tanzania, Uganda, Zambia, Zimbabwe, Argentina, Bolivia, Belize, Brasile, Cile, Colombia, Costa Rica, Repubblica Dominicana, Ecuador, El Salvador, Guatemala, Haiti, Honduras, Messico, Nicaragua, Panama, Paraguay, Perù, Uruguay, Venezuela, Brasile, Europa, Medio Oriente, Africa, Australia, Nuova Zelanda, Singapore, Malaysia, Tailandia, Indonesia, Filippine, Vietnam, Brunei, Sri Lanka, Bangladesh, India, Corea, Hong Kong, Taiwan, (PRC) Cina	Parti e assistenza - 1 anno	5
8706	Giappone	Parti e assistenza - 1 anno	6
8716	Europa, Medio Oriente, Africa	Parti e assistenza - 1 anno	7
8717	Europa, Medio Oriente, Africa	Parti e assistenza - 1 anno	7
8970	Europa, Medio Oriente, Africa	Parti e assistenza - 1 anno	7
8972	Europa, Medio Oriente, Africa	Parti e assistenza - 1 anno	7
8973	Europa, Medio Oriente, Africa	Parti e assistenza - 1 anno	7
8975	Europa, Medio Oriente, Africa	Parti e assistenza - 1 anno	7
8976	Australia, Nuova Zelanda, Singapore, Malaysia, Tailandia, Indonesia, Filippine, Vietnam, Brunei, Sri Lanka, Bangladesh, India, Corea, Hong Kong, Taiwan (PRC) Cina	Parti - 3 anni Manodopera - 1 anno	5
8976	Europa, Medio Oriente, Africa	Parti e manodopera - 3	7
8979	Australia, Nuova Zelanda, Singapore, Malaysia, Tailandia, Indonesia, Filippine, Vietnam, Brunei, Sri Lanka, Bangladesh, India, Corea, Hong Kong, Taiwan (PRC) Cina	Parti - 3 anni Manodopera - 1 anno	5

Tipo di macchina	Paese o regione di acquisto	Periodo di garanzia	Tipi di servizi di garanzia
8979	Europa, Medio Oriente, Africa	Parti e manodopera - 3	7
8980	Australia, Nuova Zelanda, Singapore, Malaysia, Tailandia, Indonesia, Filippine, Vietnam, Brunei, Sri Lanka, Bangladesh, India, Corea, Hong Kong, Taiwan (PRC) Cina	Parti - 3 anni Manodopera - 1 anno	5
8980	Europa, Medio Oriente, Africa	Parti e manodopera - 3	7
8982	Australia, Nuova Zelanda, Singapore, Malaysia, Tailandia, Indonesia, Filippine, Vietnam, Brunei, Sri Lanka, Bangladesh, India, Corea, Hong Kong, Taiwan (PRC) Cina	Parti - 3 anni Manodopera - 1 anno	5
8982	Europa, Medio Oriente, Africa	Parti e manodopera - 3	7
8983	Australia, Nuova Zelanda, Singapore, Malaysia, Tailandia, Indonesia, Filippine, Vietnam, Brunei, Sri Lanka, Bangladesh, India, Corea, Hong Kong, Taiwan (PRC) Cina	Parti - 3 anni Manodopera - 1 anno	5
8983	Europa, Medio Oriente, Africa	Parti e manodopera - 3	7
8985	Australia, Nuova Zelanda, Singapore, Malaysia, Tailandia, Indonesia, Filippine, Vietnam, Brunei, Sri Lanka, Bangladesh, India, Corea, Hong Kong, Taiwan (PRC) Cina	Parti - 3 anni Manodopera - 1 anno	5
8985	Europa, Medio Oriente, Africa	Parti e manodopera - 3	7
8986	Stati Uniti, Angola, Botswana, Burundi, Eritrea, Etiopia, Ghana, Kenya, Liberia, Malawi, Malta, Mozambico, Nigeria, Rwanda, Sao Tome, Sierra Leone, Somalia, Tanzania, Uganda, Zambia, Zimbabwe, Argentina, Bolivia, Belize, Brasile, Cile, Colombia, Costa Rica, Repubblica Dominicana, Ecuador, El Salvador, Guatemala, Haiti, Honduras, Messico, Nicaragua, Panama, Paraguay, Perù, Uruguay, Venezuela, Brasile, Europa, Medio Oriente, Africa, Australia, Nuova Zelanda, Singapore, Malaysia, Tailandia, Indonesia, Filippine, Vietnam, Brunei, Sri Lanka, Bangladesh, Corea, Hong Kong, Taiwan, (RPC) Cina	Parti e assistenza - 3 anni	5

Tipo di macchina	Paese o regione di acquisto	Periodo di garanzia	Tipi di servizi di garanzia
8991	Stati Uniti, Angola, Botswana, Burundi, Eritrea, Etiopia, Ghana, Kenya, Liberia, Malawi, Malta, Mozambico, Nigeria, Rwanda, Sao Tome, Sierra Leone, Somalia, Tanzania, Uganda, Zambia, Zimbabwe, Argentina, Bolivia, Belize, Brasile, Cile, Colombia, Costa Rica, Repubblica Dominicana, Ecuador, El Salvador, Guatemala, Haiti, Honduras, Messico, Nicaragua, Panama, Paraguay, Perù, Uruguay, Venezuela, Brasile, Europa, Medio Oriente, Africa, Australia, Nuova Zelanda, Singapore, Malaysia, Tailandia, Indonesia, Filippine, Vietnam, Brunei, Sri Lanka, Bangladesh, Corea, Hong Kong, Taiwan, (RPC) Cina	Parti e assistenza - 3 anni	5
8992	Stati Uniti, Angola, Botswana, Burundi, Eritrea, Etiopia, Ghana, Kenya, Liberia, Malawi, Malta, Mozambico, Nigeria, Rwanda, Sao Tome, Sierra Leone, Somalia, Tanzania, Uganda, Zambia, Zimbabwe, Argentina, Bolivia, Belize, Brasile, Cile, Colombia, Costa Rica, Repubblica Dominicana, Ecuador, El Salvador, Guatemala, Haiti, Honduras, Messico, Nicaragua, Panama, Paraguay, Perù, Uruguay, Venezuela, Brasile, Europa, Medio Oriente, Africa, Australia, Nuova Zelanda, Singapore, Malaysia, Tailandia, Indonesia, Filippine, Vietnam, Brunei, Sri Lanka, Bangladesh, Corea, Hong Kong, Taiwan, (RPC) Cina	Parti e assistenza - 3 anni	5
8994	Stati Uniti, Angola, Botswana, Burundi, Eritrea, Etiopia, Ghana, Kenya, Liberia, Malawi, Malta, Mozambico, Nigeria, Rwanda, Sao Tome, Sierra Leone, Somalia, Tanzania, Uganda, Zambia, Zimbabwe, Argentina, Bolivia, Belize, Brasile, Cile, Colombia, Costa Rica, Repubblica Dominicana, Ecuador, El Salvador, Guatemala, Haiti, Honduras, Messico, Nicaragua, Panama, Paraguay, Perù, Uruguay, Venezuela, Brasile, Europa, Medio Oriente, Africa, Australia, Nuova Zelanda, Singapore, Malaysia, Tailandia, Indonesia, Filippine, Vietnam, Brunei, Sri Lanka, Bangladesh, Corea, Hong Kong, Taiwan, (RPC) Cina	Parti e assistenza - 3 anni	5

Tipo di macchina	Paese o regione di acquisto	Periodo di garanzia	Tipi di servizi di garanzia
8995	Stati Uniti, Angola, Botswana, Burundi, Eritrea, Etiopia, Ghana, Kenya, Liberia, Malawi, Malta, Mozambico, Nigeria, Rwanda, Sao Tome, Sierra Leone, Somalia, Tanzania, Uganda, Zambia, Zimbabwe, Argentina, Bolivia, Belize, Brasile, Cile, Colombia, Costa Rica, Repubblica Dominicana, Ecuador, El Salvador, Guatemala, Haiti, Honduras, Messico, Nicaragua, Panama, Paraguay, Perù, Uruguay, Venezuela, Brasile, Europa, Medio Oriente, Africa, Australia, Nuova Zelanda, Singapore, Malaysia, Tailandia, Indonesia, Filippine, Vietnam, Brunei, Sri Lanka, Bangladesh, Corea, Hong Kong, Taiwan, (RPC) Cina	Parti e assistenza - 3 anni	5
9265	Stati Uniti, Angola, Botswana, Burundi, Eritrea, Etiopia, Ghana, Kenya, Liberia, Malawi, Malta, Mozambico, Nigeria, Rwanda, Sao Tome, Sierra Leone, Somalia, Tanzania, Uganda, Zambia, Zimbabwe, Argentina, Bolivia, Belize, Brasile, Cile, Colombia, Costa Rica, Repubblica Dominicana, Ecuador, El Salvador, Guatemala, Haiti, Honduras, Messico, Nicaragua, Panama, Paraguay, Perù, Uruguay, Venezuela, Brasile, Europa, Medio Oriente, Africa, Australia, Nuova Zelanda, Singapore, Malaysia, Tailandia, Indonesia, Filippine, Vietnam, Brunei, Sri Lanka, Bangladesh, Corea, Hong Kong, Taiwan, (RPC) Cina	Parti e assistenza - 3 anni	5
9266	Stati Uniti, Angola, Botswana, Burundi, Eritrea, Etiopia, Ghana, Kenya, Liberia, Malawi, Malta, Mozambico, Nigeria, Rwanda, Sao Tome, Sierra Leone, Somalia, Tanzania, Uganda, Zambia, Zimbabwe, Argentina, Bolivia, Belize, Brasile, Cile, Colombia, Costa Rica, Repubblica Dominicana, Ecuador, El Salvador, Guatemala, Haiti, Honduras, Messico, Nicaragua, Panama, Paraguay, Perù, Uruguay, Venezuela, Europa, Medio Oriente, Africa, Australia, Nuova Zelanda, Singapore, Malaysia, Tailandia, Indonesia, Filippine, Vietnam, Brunei, Sri Lanka, Bangladesh, India, Corea, Hong Kong, Taiwan	Parti e assistenza - 1 anno	5
9266	Giappone	Parti e assistenza - 1 anno	6

Tipo di macchina	Paese o regione di acquisto	Periodo di garanzia	Tipi di servizi di garanzia
9269	Stati Uniti, Angola, Botswana, Burundi, Eritrea, Etiopia, Ghana, Kenya, Liberia, Malawi, Malta, Mozambico, Nigeria, Rwanda, Sao Tome, Sierra Leone, Somalia, Tanzania, Uganda, Zambia, Zimbabwe, Argentina, Bolivia, Belize, Brasile, Cile, Colombia, Costa Rica, Repubblica Dominicana, Ecuador, El Salvador, Guatemala, Haiti, Honduras, Messico, Nicaragua, Panama, Paraguay, Perù, Uruguay, Venezuela, Europa, Medio Oriente, Africa, Australia, Nuova Zelanda, Singapore, Malaysia, Tailandia, Indonesia, Filippine, Vietnam, Brunei, Sri Lanka, Bangladesh, India, Corea, Hong Kong, Taiwan	Parti e assistenza - 1 anno	5
9269	Giappone	Parti e assistenza - 1 anno	6
9276	Stati Uniti, Angola, Botswana, Burundi, Eritrea, Etiopia, Ghana, Kenya, Liberia, Malawi, Malta, Mozambico, Nigeria, Rwanda, Sao Tome, Sierra Leone, Somalia, Tanzania, Uganda, Zambia, Zimbabwe, Argentina, Bolivia, Belize, Brasile, Cile, Colombia, Costa Rica, Repubblica Dominicana, Ecuador, El Salvador, Guatemala, Haiti, Honduras, Messico, Nicaragua, Panama, Paraguay, Perù, Uruguay, Venezuela, Europa, Medio Oriente, Africa, Australia, Nuova Zelanda, Singapore, Malaysia, Tailandia, Indonesia, Filippine, Vietnam, Brunei, Sri Lanka, Bangladesh, India, Corea, Hong Kong, Taiwan	Parti e assistenza - 1 anno	5
9276	Giappone	Parti e assistenza - 1 anno	6
9277	Stati Uniti, Angola, Botswana, Burundi, Eritrea, Etiopia, Ghana, Kenya, Liberia, Malawi, Malta, Mozambico, Nigeria, Rwanda, Sao Tome, Sierra Leone, Somalia, Tanzania, Uganda, Zambia, Zimbabwe, Argentina, Bolivia, Belize, Brasile, Cile, Colombia, Costa Rica, Repubblica Dominicana, Ecuador, El Salvador, Guatemala, Haiti, Honduras, Messico, Nicaragua, Panama, Paraguay, Perù, Uruguay, Venezuela, Europa, Medio Oriente, Africa, Australia, Nuova Zelanda, Singapore, Malaysia, Tailandia, Indonesia, Filippine, Vietnam, Brunei, Sri Lanka, Bangladesh, India, Corea, Hong Kong, Taiwan	Parti e assistenza - 1 anno	5

Tipo di macchina	Paese o regione di acquisto	Periodo di garanzia	Tipi di servizi di garanzia
9277	Giappone	Parti e assistenza - 1 anno	6
9278	Stati Uniti, Angola, Botswana, Burundi, Eritrea, Etiopia, Ghana, Kenya, Liberia, Malawi, Malta, Mozambico, Nigeria, Rwanda, Sao Tome, Sierra Leone, Somalia, Tanzania, Uganda, Zambia, Zimbabwe, Argentina, Bolivia, Belize, Brasile, Cile, Colombia, Costa Rica, Repubblica Dominicana, Ecuador, El Salvador, Guatemala, Haiti, Honduras, Messico, Nicaragua, Panama, Paraguay, Perù, Uruguay, Venezuela, Europa, Medio Oriente, Africa, Australia, Nuova Zelanda, Singapore, Malaysia, Tailandia, Indonesia, Filippine, Vietnam, Brunei, Sri Lanka, Bangladesh, India, Corea, Hong Kong, Taiwan	Parti e assistenza - 1 anno	5
9278	Giappone	Parti e assistenza - 1 anno	6
9279	Stati Uniti, Angola, Botswana, Burundi, Eritrea, Etiopia, Ghana, Kenya, Liberia, Malawi, Malta, Mozambico, Nigeria, Rwanda, Sao Tome, Sierra Leone, Somalia, Tanzania, Uganda, Zambia, Zimbabwe, Argentina, Bolivia, Belize, Brasile, Cile, Colombia, Costa Rica, Repubblica Dominicana, Ecuador, El Salvador, Guatemala, Haiti, Honduras, Messico, Nicaragua, Panama, Paraguay, Perù, Uruguay, Venezuela, Europa, Medio Oriente, Africa, Australia, Nuova Zelanda, Singapore, Malaysia, Tailandia, Indonesia, Filippine, Vietnam, Brunei, Sri Lanka, Bangladesh, India, Corea, Hong Kong, Taiwan	Parti e assistenza - 1 anno	5
9279	Giappone	Parti e assistenza - 1 anno	6
9282	Argentina, Bolivia, Belize, Brasile, Cile, Colombia, Costa Rica, Repubblica Dominicana, Ecuador, El Salvador, Guatemala, Haiti, Honduras, Messico, Nicaragua, Panama, Paraguay, Perù, Uruguay, Venezuela, Europa, Medio Oriente, Africa	Parti e assistenza - 1 anno	7
9283	Argentina, Bolivia, Belize, Brasile, Cile, Colombia, Costa Rica, Repubblica Dominicana, Ecuador, El Salvador, Guatemala, Haiti, Honduras, Messico, Nicaragua, Panama, Paraguay, Perù, Uruguay, Venezuela, Europa, Medio Oriente, Africa	Parti e assistenza - 1 anno	7

Tipo di macchina	Paese o regione di acquisto	Periodo di garanzia	Tipi di servizi di garanzia
9286	Argentina, Bolivia, Belize, Brasile, Cile, Colombia, Costa Rica, Repubblica Dominicana, Ecuador, El Salvador, Guatemala, Haiti, Honduras, Messico, Nicaragua, Panama, Paraguay, Perù, Uruguay, Venezuela, Europa, Medio Oriente, Africa	Parti e assistenza - 1 anno	7
9287	Argentina, Bolivia, Belize, Brasile, Cile, Colombia, Costa Rica, Repubblica Dominicana, Ecuador, El Salvador, Guatemala, Haiti, Honduras, Messico, Nicaragua, Panama, Paraguay, Perù, Uruguay, Venezuela, Europa, Medio Oriente, Africa	Parti e assistenza - 1 anno	7
9288	Argentina, Bolivia, Belize, Brasile, Cile, Colombia, Costa Rica, Repubblica Dominicana, Ecuador, El Salvador, Guatemala, Haiti, Honduras, Messico, Nicaragua, Panama, Paraguay, Perù, Uruguay, Venezuela, Europa, Medio Oriente, Africa	Parti e assistenza - 1 anno	7
9374	Australia, Nuova Zelanda, Singapore, Malaysia, Thailandia, Indonesia, Filippine, Vietnam, Brunei, Sri Lanka, Bangladesh, India, Corea, Hong Kong, Taiwan (PRC) Cina	Parti - 3 anni Manodopera - 1 anno	5
9374	Europa, Medio Oriente, Africa	Parti e assistenza - 3 anni	7
9378	Australia, Nuova Zelanda, Singapore, Malaysia, Thailandia, Indonesia, Filippine, Vietnam, Brunei, Sri Lanka, Bangladesh, India, Corea, Hong Kong, Taiwan (PRC) Cina	Parti - 3 anni Manodopera - 1 anno	5
9378	Europa, Medio Oriente, Africa	Parti e assistenza - 3 anni	7
9379	Argentina, Bolivia, Belize, Brasile, Cile, Colombia, Costa Rica, Repubblica Dominicana, Ecuador, El Salvador, Guatemala, Haiti, Honduras, Messico, Nicaragua, Panama, Paraguay, Perù, Uruguay, Venezuela, Europa, Medio Oriente, Africa	Parti e assistenza - 1 anno	7
9380	Australia, Nuova Zelanda, Singapore, Malaysia, Thailandia, Indonesia, Filippine, Vietnam, Brunei, Sri Lanka, Bangladesh, India, Corea, Hong Kong, Taiwan (PRC) Cina	Parti - 3 anni Manodopera - 1 anno	5
9380	Europa, Medio Oriente, Africa	Parti e assistenza - 3 anni	7
9383	Australia, Nuova Zelanda, Singapore, Malaysia, Thailandia, Indonesia, Filippine, Vietnam, Brunei, Sri Lanka, Bangladesh, India, Corea, Hong Kong, Taiwan (PRC) Cina	Parti - 3 anni Manodopera - 1 anno	5

Tipo di macchina	Paese o regione di acquisto	Periodo di garanzia	Tipi di servizi di garanzia
9383	Europa, Medio Oriente, Africa	Parti e assistenza - 3 anni	7
9384	Stati Uniti, Angola, Botswana, Burundi, Eritrea, Etiopia, Ghana, Kenya, Liberia, Malawi, Malta, Mozambico, Nigeria, Rwanda, Sao Tome, Sierra Leone, Somalia, Tanzania, Uganda, Zambia, Zimbabwe, Argentina, Bolivia, Belize, Brasile, Cile, Colombia, Costa Rica, Repubblica Dominicana, Ecuador, El Salvador, Guatemala, Haiti, Honduras, Messico, Nicaragua, Panama, Paraguay, Perù, Uruguay, Venezuela, Brasile, Europa, Medio Oriente, Africa, Australia, Nuova Zelanda, Singapore, Malaysia, Tailandia, Indonesia, Filippine, Vietnam, Brunei, Sri Lanka, Bangladesh, India, Corea, Hong Kong, Taiwan, (PRC) Cina	Parti e assistenza - 3 anni	5
9387	Australia, Nuova Zelanda, Singapore, Malaysia, Tailandia, Indonesia, Filippine, Vietnam, Brunei, Sri Lanka, Bangladesh, India, Corea, Hong Kong, Taiwan (PRC) Cina	Parti - 3 anni Manodopera - 1 anno	5
9387	Europa, Medio Oriente, Africa	Parti e assistenza - 3 anni	7
9389	Australia, Nuova Zelanda, Singapore, Malaysia, Tailandia, Indonesia, Filippine, Vietnam, Brunei, Sri Lanka, Bangladesh, India, Corea, Hong Kong, Taiwan (PRC) Cina	Parti - 3 anni Manodopera - 1 anno	5
9389	Europa, Medio Oriente, Africa	Parti e assistenza - 3 anni	7
9628	Stati Uniti, Angola, Botswana, Burundi, Eritrea, Etiopia, Ghana, Kenya, Liberia, Malawi, Malta, Mozambico, Nigeria, Rwanda, Sao Tome, Sierra Leone, Somalia, Tanzania, Uganda, Zambia, Zimbabwe, Argentina, Bolivia, Belize, Brasile, Cile, Colombia, Costa Rica, Repubblica Dominicana, Ecuador, El Salvador, Guatemala, Haiti, Honduras, Messico, Nicaragua, Panama, Paraguay, Perù, Uruguay, Venezuela, Brasile, Europa, Medio Oriente, Africa, Australia, Nuova Zelanda, Singapore, Malaysia, Tailandia, Indonesia, Filippine, Vietnam, Brunei, Sri Lanka, Bangladesh, India, Corea, Hong Kong, Taiwan, (PRC) Cina	Parti e assistenza - 3 anni	5

Tipo di macchina	Paese o regione di acquisto	Periodo di garanzia	Tipi di servizi di garanzia
9631	Stati Uniti, Angola, Botswana, Burundi, Eritrea, Etiopia, Ghana, Kenya, Liberia, Malawi, Malta, Mozambico, Nigeria, Rwanda, Sao Tome, Sierra Leone, Somalia, Tanzania, Uganda, Zambia, Zimbabwe, Argentina, Bolivia, Belize, Brasile, Cile, Colombia, Costa Rica, Repubblica Dominicana, Ecuador, El Salvador, Guatemala, Haiti, Honduras, Messico, Nicaragua, Panama, Paraguay, Perù, Uruguay, Venezuela, Brasile, Europa, Medio Oriente, Africa, Australia, Nuova Zelanda, Singapore, Malaysia, Tailandia, Indonesia, Filippine, Vietnam, Brunei, Sri Lanka, Bangladesh, India, Corea, Hong Kong, Taiwan, (PRC) Cina	Parti e assistenza - 3 anni	5
9632	Stati Uniti, Angola, Botswana, Burundi, Eritrea, Etiopia, Ghana, Kenya, Liberia, Malawi, Malta, Mozambico, Nigeria, Rwanda, Sao Tome, Sierra Leone, Somalia, Tanzania, Uganda, Zambia, Zimbabwe, Argentina, Bolivia, Belize, Brasile, Cile, Colombia, Costa Rica, Repubblica Dominicana, Ecuador, El Salvador, Guatemala, Haiti, Honduras, Messico, Nicaragua, Panama, Paraguay, Perù, Uruguay, Venezuela, Brasile, Europa, Medio Oriente, Africa, Australia, Nuova Zelanda, Singapore, Malaysia, Tailandia, Indonesia, Filippine, Vietnam, Brunei, Sri Lanka, Bangladesh, India, Corea, Hong Kong, Taiwan, (PRC) Cina	Parti e assistenza - 3 anni	5
9635	Stati Uniti, Angola, Botswana, Burundi, Eritrea, Etiopia, Ghana, Kenya, Liberia, Malawi, Malta, Mozambico, Nigeria, Rwanda, Sao Tome, Sierra Leone, Somalia, Tanzania, Uganda, Zambia, Zimbabwe, Argentina, Bolivia, Belize, Brasile, Cile, Colombia, Costa Rica, Repubblica Dominicana, Ecuador, El Salvador, Guatemala, Haiti, Honduras, Messico, Nicaragua, Panama, Paraguay, Perù, Uruguay, Venezuela, Brasile, Europa, Medio Oriente, Africa, Australia, Nuova Zelanda, Singapore, Malaysia, Tailandia, Indonesia, Filippine, Vietnam, Brunei, Sri Lanka, Bangladesh, India, Corea, Hong Kong, Taiwan, (PRC) Cina	Parti e assistenza - 3 anni	5

Tipo di macchina	Paese o regione di acquisto	Periodo di garanzia	Tipi di servizi di garanzia
9636	Stati Uniti, Angola, Botswana, Burundi, Eritrea, Etiopia, Ghana, Kenya, Liberia, Malawi, Malta, Mozambico, Nigeria, Rwanda, Sao Tome, Sierra Leone, Somalia, Tanzania, Uganda, Zambia, Zimbabwe, Argentina, Bolivia, Belize, Brasile, Cile, Colombia, Costa Rica, Repubblica Dominicana, Ecuador, El Salvador, Guatemala, Haiti, Honduras, Messico, Nicaragua, Panama, Paraguay, Perù, Uruguay, Venezuela, Brasile, Europa, Medio Oriente, Africa, Australia, Nuova Zelanda, Singapore, Malaysia, Tailandia, Indonesia, Filippine, Vietnam, Brunei, Sri Lanka, Bangladesh, India, Corea, Hong Kong, Taiwan, (PRC) Cina	Parti e assistenza - 1 anno	5
9636	Giappone	Parti e assistenza - 1 anno	6
9637	Stati Uniti, Angola, Botswana, Burundi, Eritrea, Etiopia, Ghana, Kenya, Liberia, Malawi, Malta, Mozambico, Nigeria, Rwanda, Sao Tome, Sierra Leone, Somalia, Tanzania, Uganda, Zambia, Zimbabwe, Argentina, Bolivia, Belize, Brasile, Cile, Colombia, Costa Rica, Repubblica Dominicana, Ecuador, El Salvador, Guatemala, Haiti, Honduras, Messico, Nicaragua, Panama, Paraguay, Perù, Uruguay, Venezuela, Brasile, Europa, Medio Oriente, Africa, Australia, Nuova Zelanda, Singapore, Malaysia, Tailandia, Indonesia, Filippine, Vietnam, Brunei, Sri Lanka, Bangladesh, India, Corea, Hong Kong, Taiwan, (PRC) Cina	Parti e assistenza - 3 anni	5
9638	Europa, Medio Oriente, Africa	Parti e assistenza - 1 anno	7
9640	Australia, Nuova Zelanda, Singapore, Malaysia, Tailandia, Indonesia, Filippine, Vietnam, Brunei, Sri Lanka, Bangladesh, India, Corea, Hong Kong, Taiwan (PRC) Cina	Parti - 3 anni Manodopera - 1 anno	5
9640	Europa, Medio Oriente, Africa	Parti e manodopera - 3	7

Tipo di macchina	Paese o regione di acquisto	Periodo di garanzia	Tipi di servizi di garanzia
9641	Stati Uniti, Angola, Botswana, Burundi, Eritrea, Etiopia, Ghana, Kenya, Liberia, Malawi, Malta, Mozambico, Nigeria, Rwanda, Sao Tome, Sierra Leone, Somalia, Tanzania, Uganda, Zambia, Zimbabwe, Argentina, Bolivia, Belize, Brasile, Cile, Colombia, Costa Rica, Repubblica Dominicana, Ecuador, El Salvador, Guatemala, Haiti, Honduras, Messico, Nicaragua, Panama, Paraguay, Perù, Uruguay, Venezuela, Brasile, Europa, Medio Oriente, Africa, Australia, Nuova Zelanda, Singapore, Malaysia, Tailandia, Indonesia, Filippine, Vietnam, Brunei, Sri Lanka, Bangladesh, Corea, Hong Kong, Taiwan, (RPC) Cina	Parti e assistenza - 3 anni	5
9642	Stati Uniti, Angola, Botswana, Burundi, Eritrea, Etiopia, Ghana, Kenya, Liberia, Malawi, Malta, Mozambico, Nigeria, Rwanda, Sao Tome, Sierra Leone, Somalia, Tanzania, Uganda, Zambia, Zimbabwe, Argentina, Bolivia, Belize, Brasile, Cile, Colombia, Costa Rica, Repubblica Dominicana, Ecuador, El Salvador, Guatemala, Haiti, Honduras, Messico, Nicaragua, Panama, Paraguay, Perù, Uruguay, Venezuela, Europa, Medio Oriente, Africa, Australia, Nuova Zelanda, Singapore, Malaysia, Tailandia, Indonesia, Filippine, Vietnam, Brunei, Sri Lanka, Bangladesh, India, Corea, Hong Kong, Taiwan	Parti e assistenza - 1 anno	5
9642	Giappone	Parti e assistenza - 1 anno	6
9643	Argentina, Bolivia, Belize, Brasile, Cile, Colombia, Costa Rica, Repubblica Dominicana, Ecuador, El Salvador, Guatemala, Haiti, Honduras, Messico, Nicaragua, Panama, Paraguay, Perù, Uruguay, Venezuela, Europa, Medio Oriente, Africa	Parti e assistenza - 1 anno	7
9644	Australia, Nuova Zelanda, Singapore, Malaysia, Tailandia, Indonesia, Filippine, Vietnam, Brunei, Sri Lanka, Bangladesh, India, Corea, Hong Kong, Taiwan (PRC) Cina	Parti - 3 anni Manodopera - 1 anno	5
9644	Europa, Medio Oriente, Africa	Parti e assistenza - 3 anni	7

Tipo di macchina	Paese o regione di acquisto	Periodo di garanzia	Tipi di servizi di garanzia
9645	Stati Uniti, Angola, Botswana, Burundi, Eritrea, Etiopia, Ghana, Kenya, Liberia, Malawi, Malta, Mozambico, Nigeria, Rwanda, Sao Tome, Sierra Leone, Somalia, Tanzania, Uganda, Zambia, Zimbabwe, Argentina, Bolivia, Belize, Brasile, Cile, Colombia, Costa Rica, Repubblica Dominicana, Ecuador, El Salvador, Guatemala, Haiti, Honduras, Messico, Nicaragua, Panama, Paraguay, Perù, Uruguay, Venezuela, Brasile, Europa, Medio Oriente, Africa, Australia, Nuova Zelanda, Singapore, Malaysia, Tailandia, Indonesia, Filippine, Vietnam, Brunei, Sri Lanka, Bangladesh, India, Corea, Hong Kong, Taiwan, (PRC) Cina	Parti e assistenza - 3 anni	5
9646	Stati Uniti, Angola, Botswana, Burundi, Eritrea, Etiopia, Ghana, Kenya, Liberia, Malawi, Malta, Mozambico, Nigeria, Rwanda, Sao Tome, Sierra Leone, Somalia, Tanzania, Uganda, Zambia, Zimbabwe, Argentina, Bolivia, Belize, Brasile, Cile, Colombia, Costa Rica, Repubblica Dominicana, Ecuador, El Salvador, Guatemala, Haiti, Honduras, Messico, Nicaragua, Panama, Paraguay, Perù, Uruguay, Venezuela, Brasile, Europa, Medio Oriente, Africa, Australia, Nuova Zelanda, Singapore, Malaysia, Tailandia, Indonesia, Filippine, Vietnam, Brunei, Sri Lanka, Bangladesh, India, Corea, Hong Kong, Taiwan, (RPC) Cina, Giappone	Parti e assistenza - 4 anni	5
9647	Stati Uniti, Angola, Botswana, Burundi, Eritrea, Etiopia, Ghana, Kenya, Liberia, Malawi, Malta, Mozambico, Nigeria, Rwanda, Sao Tome, Sierra Leone, Somalia, Tanzania, Uganda, Zambia, Zimbabwe, Argentina, Bolivia, Belize, Brasile, Cile, Colombia, Costa Rica, Repubblica Dominicana, Ecuador, El Salvador, Guatemala, Haiti, Honduras, Messico, Nicaragua, Panama, Paraguay, Perù, Uruguay, Venezuela, Brasile, Europa, Medio Oriente, Africa, Australia, Nuova Zelanda, Singapore, Malaysia, Tailandia, Indonesia, Filippine, Vietnam, Brunei, Sri Lanka, Bangladesh, India, Corea, Hong Kong, Taiwan, (RPC) Cina, Giappone	Parti e assistenza - 4 anni	5

Tipo di macchina	Paese o regione di acquisto	Periodo di garanzia	Tipi di servizi di garanzia
9648	Stati Uniti, Angola, Botswana, Burundi, Eritrea, Etiopia, Ghana, Kenya, Liberia, Malawi, Malta, Mozambico, Nigeria, Rwanda, Sao Tome, Sierra Leone, Somalia, Tanzania, Uganda, Zambia, Zimbabwe, Argentina, Bolivia, Belize, Brasile, Cile, Colombia, Costa Rica, Repubblica Dominicana, Ecuador, El Salvador, Guatemala, Haiti, Honduras, Messico, Nicaragua, Panama, Paraguay, Perù, Uruguay, Venezuela, Brasile, Europa, Medio Oriente, Africa, Australia, Nuova Zelanda, Singapore, Malaysia, Tailandia, Indonesia, Filippine, Vietnam, Brunei, Sri Lanka, Bangladesh, India, Corea, Hong Kong, Taiwan, (RPC) Cina, Giappone	Parti e assistenza - 4 anni	5
9649	Stati Uniti, Angola, Botswana, Burundi, Eritrea, Etiopia, Ghana, Kenya, Liberia, Malawi, Malta, Mozambico, Nigeria, Rwanda, Sao Tome, Sierra Leone, Somalia, Tanzania, Uganda, Zambia, Zimbabwe, Argentina, Bolivia, Belize, Brasile, Cile, Colombia, Costa Rica, Repubblica Dominicana, Ecuador, El Salvador, Guatemala, Haiti, Honduras, Messico, Nicaragua, Panama, Paraguay, Perù, Uruguay, Venezuela, Brasile, Europa, Medio Oriente, Africa, Australia, Nuova Zelanda, Singapore, Malaysia, Tailandia, Indonesia, Filippine, Vietnam, Brunei, Sri Lanka, Bangladesh, India, Corea, Hong Kong, Taiwan, (RPC) Cina, Giappone	Parti e assistenza - 4 anni	5
9694	Stati Uniti, Angola, Botswana, Burundi, Eritrea, Etiopia, Ghana, Kenya, Liberia, Malawi, Malta, Mozambico, Nigeria, Rwanda, Sao Tome, Sierra Leone, Somalia, Tanzania, Uganda, Zambia, Zimbabwe, Argentina, Bolivia, Belize, Brasile, Cile, Colombia, Costa Rica, Repubblica Dominicana, Ecuador, El Salvador, Guatemala, Haiti, Honduras, Messico, Nicaragua, Panama, Paraguay, Perù, Uruguay, Venezuela, Brasile, Europa, Medio Oriente, Africa, Australia, Nuova Zelanda, Singapore, Malaysia, Tailandia, Indonesia, Filippine, Vietnam, Brunei, Sri Lanka, Bangladesh, India, Corea, Hong Kong, Taiwan, (RPC) Cina, Giappone	Parti e assistenza - 3 anni	5

Tipo di macchina	Paese o regione di acquisto	Periodo di garanzia	Tipi di servizi di garanzia
9695	Stati Uniti, Angola, Botswana, Burundi, Eritrea, Etiopia, Ghana, Kenya, Liberia, Malawi, Malta, Mozambico, Nigeria, Rwanda, Sao Tome, Sierra Leone, Somalia, Tanzania, Uganda, Zambia, Zimbabwe, Argentina, Bolivia, Belize, Brasile, Cile, Colombia, Costa Rica, Repubblica Dominicana, Ecuador, El Salvador, Guatemala, Haiti, Honduras, Messico, Nicaragua, Panama, Paraguay, Perù, Uruguay, Venezuela, Brasile, Europa, Medio Oriente, Africa, Australia, Nuova Zelanda, Singapore, Malaysia, Tailandia, Indonesia, Filippine, Vietnam, Brunei, Sri Lanka, Bangladesh, India, Corea, Hong Kong, Taiwan, (RPC) Cina, Giappone	Parti e assistenza - 3 anni	5

Tipi di servizio di garanzia

Se richiesto, il Provider del servizio fornisce servizi di riparazione o sostituzione in base al tipo di servizio di garanzia specificato per la macchina di cui si dispone, specificato nella tabella precedente e descritto di seguito. La pianificazione del servizio dipende dall'ora della chiamata ed è soggetta alla disponibilità dei pezzi richiesti. I livelli del servizio non sono garantiti. Il servizio del livello di garanzia specificato potrebbe non essere disponibile in tutti i paesi, ulteriori spese potrebbero essere addebitate fuori dalla normale area di servizio del Provider del servizio, per informazioni specifiche sulle aree geografiche e sull'ubicazione, rivolgersi al rappresentante locale del Provider del servizio o ad un rivenditore autorizzato.

1. Servizio CRU (Customer Replaceable Unit)

Lenovo consegnerà le CRU (Customer Replaceable Units) per l'installazione, le CRU di livello 1 sono facili da installare, mentre le CRU di livello 2 richiedono strumenti e conoscenze tecniche. Le istruzioni sulla sostituzione e le informazioni CRU sono fornite con la Macchina e sono disponibili presso la Lenovo in qualsiasi momento. È possibile richiedere che un provider di servizi installati le unità CRU senza alcun costo, nel tipo di servizio di garanzia designato della Macchina. La Lenovo specifica i materiali forniti con un'unità CRU di sostituzione se un'unità CRU difettosa deve essere restituita. Quando viene richiesta la restituzione, 1) le istruzioni sulla restituzione ed un contenitore sono forniti con l'unità CRU di sostituzione, e 2) è possibile che sia addebitata l'unità CRU di sostituzione se la Lenovo non riceve l'unità CRU difettosa entro i 30 giorni della ricezione della sostituzione.

2. Assistenza a domicilio

Il Provider del servizio riparerà o sostituirà la macchina malfunzionante al domicilio dell'utente. È necessario fornire un'area di lavoro appropriata per

il disassemblaggio e l'assemblaggio della macchina Lenovo. L'ambiente deve essere pulito, ben illuminato e adatto a tale scopo. Per alcune macchine, delle riparazioni possono richiedere l'invio della macchina ad un centro di assistenza designato.

3. Assistenza mediante corriere o deposito *

Scollegare la macchina malfunzionante affinché venga prelevata dal Provider del servizio. Verrà fornito un contenitore per la spedizione affinché la macchina venga restituita al centro di assistenza designato. Un corriere preleverà la macchina e la consegnerà al centro di assistenza designato. In seguito alla riparazione o sostituzione, il centro di assistenza stabilirà la restituzione della macchina al domicilio dell'utente. L'utente è responsabile dell'installazione e la verifica.

4. Assistenza presso il rivenditore

L'utente consegna o spedisce, come specificato dal Provider del servizio (prepagato, se non diversamente specificato) la macchina malfunzionante, debitamente imballata, nel luogo designato. Una volta riparata o sostituita, la macchina sarà resa disponibile per la restituzione, o per il servizio di spedizione e Lenovo restituirà la macchina all'utente a proprie spese, se non diversamente specificato dal Provider del servizio. L'utente è responsabile per la successiva installazione e la verifica della macchina.

5. Servizio a domicilio e CRU

Questo tipo di servizio di garanzia è una combinazione di tipo 1 e tipo 2 (consultare quanto sopra riportato).

6. Assistenza mediante corriere e CRU o deposito

Questo tipo di servizio di garanzia è una combinazione di tipo 1 e tipo 3 (consultare quanto sopra riportato).

7. Assistenza presso il rivenditore e CRU

Questo tipo di servizio di garanzia è una combinazione di tipo 1 e tipo 4 (consultare quanto sopra riportato).

Quando è elencato più di un tipo di servizio 5, 6 o 7 il Provider del servizio determina il tipo di servizio di garanzia appropriato alla riparazione.

* In alcuni Paesi questo tipo di servizio viene definito ThinkPad EasyServ o EasyServ.

Per ottenere il servizio di garanzia, rivolgersi al Provider del servizio. In Canada o negli Stati Uniti, contattare il numero 1-800-426-7378. Negli altri paesi, consultare i seguenti numeri di telefono.

Elenco telefonico internazionale

I numeri di telefono possono variare senza preavviso. Per i numeri di telefono più aggiornati, consultare il sito Web all'indirizzo <http://www.lenovo.com/support/phone>.

Paese o regione	Numero di telefono
Africa	Africa: +44 (0)1475-555-055 Sud Africa: +27-11-3028888 e 0800110756 Africa centrale: Contattare i Business partner Lenovo più vicino Business Partner
Argentina	0800-666-0011 (Spagnolo)
Australia	131-426 (Inglese)
Austria	Supporto attivo e in esecuzione: 01-24592-5901 Supporto e servizio di garanzia: 01-211-454-610 (Tedesco)
Belgio	Supporto attivo e in esecuzione: 02-210-9820 (Olandese) Supporto attivo e in esecuzione: 02-210-9800 (Francese) Supporto e servizio di garanzia: 02-225-3611 (Olandese, Francese)
Bolivia	0800-10-0189 (Spagnolo)
Brasile	San Paolo: (11) 3889-8986 Al di fuori della regione di Sao Paulo: 0800-701-4815 (Portoghese brasiliano)
Canada	Toronto: 416-383-3344 Al di fuori di Toronto: 1-800-565-3344 (Inglese, Francese)
Cile	800-361-213 o 188-800-442-488 Numero gratuito (Spagnolo)
Cina	86-10-58851110 800-990-8888 (Mandarino)
Cina (HK S.A.R.)	Commerical PC ThinkCentre®: 8205-0333 Home PC Multimedia: 800-938-228 (Cantonese, Inglese, Mandarino)
Cina (Macau S.A.R.)	ThinkCentre (linea di pronto intervento tecnico): 0800-336 (Cantonese, Inglese, Mandarino)
Colombia	1-800-912-3021 (Spagnolo)
Costa Rica	0-800-011-1029 (Spagnolo)
Croazia	0800-0426
Cipro	+357-22-841100
Repubblica ceca	+420-2-7213-1316

Paese o regione	Numero di telefono
Danimarca	Supporto attivo e in esecuzione: 4520-8200 Supporto e servizio di garanzia: 7010-5150 (Danese)
Repubblica Dominicana	1-866-434-2080 (Spagnolo)
Ecuador	1-800-426911 (Spagnolo)
El Salvador	800-6264 (Spagnolo)
Estonia	+372 6776793 +372 66 00 800
Finlandia	Supporto attivo e in esecuzione: 09-459-6960 Supporto e servizio di garanzia: +358-800-1-4260 (Finlandese)
Francia	Supporto attivo e in esecuzione: 0238-557-450 Supporto e servizio di garanzia (hardware): 0810-631-213 Supporto e servizio di garanzia (software): 0810-631-020 (Francese)
Germania	Supporto attivo e in esecuzione: 07032-15-49201 Supporto e servizio di garanzia: 01805-25-35-58 (Tedesco)
Grecia	+30-210-680-1700
Guatemala	1800-624-0051 (Spagnolo)
Honduras	Tegucigalpa: 232-4222 San Pedro Sula: 552-2234 (Spagnolo)
Ungheria	+36-1-382-5720
India	1800-425-6666 +91-80-2678-8970 (Inglese)
Indonesia	800-140-3555 (Inglese) 62-21-251-2955 (Bahasa, Indonesiano)
Irlanda	Supporto attivo e in esecuzione: 01-815-9202 Supporto e servizio di garanzia: 01-881-1444 (Inglese)
Israele	Givat Shmuel Service Center: +972-3-531-3900 (Ebraico, Inglese)
Italia	Supporto attivo e in esecuzione: 02-7031-6101 Supporto e servizio di garanzia: +39-800-820094 (Italiano)

Paese o regione	Numero di telefono
Giappone	<p>Numero verde: 0120-20-5550 Chiamate internazionali: +81-46-266-4716</p> <p>I numeri indicati prevedono una richiesta vocale in Giapponese. Per il supporto telefonico in lingua inglese, attendere il completamento della richiesta vocale in lingua giapponese e sarà possibile contattare un operatore. Richiedere "English support please" e la chiamata sarà trasferita ad un operatore di lingua inglese.</p> <p>Software computer: 0120-558-695 Chiamate intercontinentali: +81-44-200-8666 (Giapponese)</p>
Corea	1588-5801 (Coreano)
Lettonia	+386-61-1796-699
Lituania	+386-61-1796-699
Lussemburgo	+352-298-977-5063 (Francese)
Malesia	1800-88-8558 (Inglese, Bahasa, Melayu)
Malta	+356-23-4175
Messico	001-866-434-2080 (Spagnolo)
Medio Oriente	+44(0)1475-555-055
Paesi Bassi	+31-20-514-5770 (Olandese)
Nuova Zelanda	0800-733-222 (Inglese)
Nicaragua	001-800-220-1830 (Spagnolo)
Norvegia	<p>Supporto attivo e in esecuzione: 6681-1100 Supporto e servizio di garanzia: 8152-1550 (Norvegese)</p>
Panama	<p>001-866-434-2080 (Numero verde) 206-6047 (Spagnolo)</p>
Perù	0-800-50-866 (Spagnolo)
Filippine	<p>1800-1888-1426 (Inglese) 63-2-995-8420 (Filippino)</p>
Polonia	+48-22-878-6999
Portogallo	+351-21-892-7147 (Portoghese)
Romania	+4-021-224-4015
Russia	<p>+7-495-258-6300 +8-800-200-6300 (Russo)</p>
Singapore	1800-3172-888 (Inglese, Bahasa, Melayu)

Paese o regione	Numero di telefono
Slovacchia	+421-2-4954-1217
Slovenia	+386-1-4796-699
Spagna	91-714-7983 0901-100-000 (Spagnolo)
Sri Lanka	+9411 2493547 +9411 2493548 (Inglese)
Svezia	Supporto attivo e in esecuzione: 08-477-4420 Supporto e servizio di garanzia: 077-117-1040 (Svedese)
Svizzera	Supporto attivo e in esecuzione: 058-333-0900 Supporto e servizio di garanzia: 0800-55-54-54 (Tedesco, Francese, Italiano)
Taiwan	886-2-8723-9799 0800-000-700 (Mandarino)
Tailandia	1-800-299-229 (Tailandese)
Turchia	00800-4463-2041 (Turco)
Regno Unito	Supporto attivo e in esecuzione: 01475-555-055 Supporto garanzia: 08705-500-900 (Inglese)
Stati Uniti	1-800-426-7378 (Inglese)
Uruguay	000-411-005-6649 (Spagnolo)
Venezuela	0-800-100-2011 (Spagnolo)
Vietnam	Per l'area settentrionale e Hanoi: 84-4-843-6675 Per l'area sud e Ho Chi Minh City: 84-8-829-5160 (Inglese, Vietnamese)

Integrazione di Garanzia per il Messico

Questa integrazione è parte della Dichiarazione di Garanzia limitata di Lenovo e sarà effettiva unicamente ed esclusivamente per i prodotti distribuiti e venduti all'interno del Messico. In caso di conflitto, si applicheranno le clausole di questa integrazione.

Tutti i programmi software pre-caricati nell'apparecchiatura avranno solo una garanzia di trenta (30) giorni per difetti di installazione dalla data dell'acquisto. Lenovo non è responsabile per le informazioni in tali programmi software e/o per qualsiasi programma software aggiuntivo installato dall'utilizzatore o dopo l'acquisto del prodotto.

I servizi non pagabili a chi fornisce la garanzia saranno addebitati all'utente finale, previa autorizzazione.

Per richiedere il servizio di garanzia, chiamare il Centro supporto dei clienti al numero 001-866-434-2080, dove sarete indirizzati al Centro di Assistenza autorizzato più vicino. Se non dovesse esistere alcun Centro di Assistenza Autorizzato nella propria città, ubicazione o entro le 70 miglia dalla propria città o ubicazione, la garanzia include qualsiasi spesa di consegna ragionevole relativa al trasporto del prodotto al Centro di Assistenza più vicino. Contattare il Centro di Assistenza Autorizzato più vicino per ottenere le necessarie autorizzazioni o informazioni relative alla consegna del prodotto e all'indirizzo della consegna.

Per ottenere un elenco dei Centri di assistenza autorizzati, visitare il sito <http://www.lenovo.com/mx/es/servicios>

Prodotto da:

SCI Systems de México, S.A. de C.V.
Av. De la Solidaridad Iberoamericana No. 7020
Col. Club de Golf Atlas
El Salto, Jalisco, México
C.P. 45680,
Tel. 01-800-3676900

Commercializzato da:

Lenovo de México, Comercialización y
Servicios, S. A. de C. V.
Alfonso Nápoles Gándara No 3111
Parque Corporativo de Peña Blanca
Delegación Álvaro Obregón
México, D.F., México
C.P. 01210,
Tel. 01-800-00-325-00

Capitolo 4. CRU (Customer Replacement Unit)

Le CRU (Customer Replacement Units) sono parti del computer che possono essere aggiornate o sostituite dall'utente. Esistono due tipi di CRU: di Livello 1 e di Livello 2. Le CRU di Livello 1 sono di semplice installazione, mentre le CRU di Livello 2 richiedono strumenti e competenze tecniche.

La *Guida per l'utente* e la *Guida per la sostituzione hardware* forniscono le istruzioni necessarie per la sostituzione delle CRU di Livello 1 e di Livello 2. Fare riferimento alla seguente tabella per stabilire quale pubblicazione contenga le istruzioni che si desiderano consultare.

Per visualizzare una pubblicazione, aprire il menu Start, selezionare **Tutti i programmi**, selezionare **Online Books** e fare clic su **Online Books**. Fare doppio clic sulla pubblicazione relativa al proprio tipo di macchina. Per ulteriori informazioni su come accedere alla *Guida per l'utente* e alla *Guida per la sostituzione hardware*, fare riferimento a "Cartella Online Books" a pagina 263. Le pubblicazioni sono disponibili anche sul sito web di Lenovo all'indirizzo <http://www.lenovo.com>.

Nota: utilizzare solo parti di computer fornite da Lenovo. Fare riferimento al Capitolo 3, "Dichiarazione di garanzia limitata Lenovo", a pagina 267 per informazioni di garanzia relative alle CRU per il proprio tipo di macchina.

6490, 8700, 8701, 8705, 8717, 8973, 8975, 8979, 8983, 8985, 8991, 8995, 9265, 9269, 9277, 9279, 9283, 9287, 9379, 9383, 9387, 9389, 9631, 9635, 9637, 9646, 9648, 9694		
	Guida per l'utente	Guida alla sostituzione dell'hardware
Unità CRU di livello 1		
Unità ottica	x	x
Unità disco fisso	x	x
Memoria	x	x
Mouse	x	x
Tastiera	x	x
Scheda adattatore	x	x
Unità CRU di livello 2		
Unità dischetto	x	x
Dispersore di calore		x
Alimentatore		x
Ventola del sistema		x

6491, 8013, 8702, 8706, 8716, 8970, 8972, 8976, 8980, 8982, 8986, 8992, 8994, 9266, 9276, 9278, 9282, 9286, 9288, 9374, 9378, 9380, 9384, 9628, 9632, 9647, 9649, 9695		
	Guida per l'utente	Guida alla sostituzione dell'hardware
Unità CRU di livello 1		
Mouse	x	x
Tastiera	x	x
Scheda adattatore	x	x
Unità CRU di livello 2		
Unità ottica	x	x
Unità disco fisso	x	x
Unità dischetto	x	x
Memoria	x	x
Dispersore di calore		x
Ventola del sistema		x

Tipi di macchina: 9636, 9638, 9640, 9641, 9642, 9643, 9644, 9645		
	Guida per l'utente	Guida alla sostituzione dell'hardware
Unità CRU di livello 1		
Tastiera	x	x
Mouse	x	x
Unità disco fisso	x	x
Memoria	x	x
Scheda adattatore	x	x
Altoparlante	x	x
Unità ottica	x	x
Unità dischetto	x	x
Unità CRU di livello 2		
Dispersore di calore		x
Scheda di sistema		x
Alimentatore		x
Ventole del sistema		x

Capitolo 5. Informazioni particolari

È possibile che Lenovo non offra i prodotti, i servizi o le funzioni illustrate in questo documento in tutti i paesi. Consultare il rappresentante Lenovo locale per informazioni sui prodotti e i servizi attualmente disponibili nel proprio paese. Qualsiasi riferimento a programmi, prodotti o servizi Lenovo contenuto in questa pubblicazione non significa che soltanto tali prodotti, programmi o servizi possano essere utilizzati. In sostituzione a quelli forniti dalla Lenovo, possono essere utilizzati prodotti, programmi o servizi funzionalmente equivalenti che non comportino violazione di diritti di proprietà intellettuale o di altri diritti della Lenovo. È responsabilità dell'utente valutare o verificare la possibilità di utilizzare altri prodotti, programmi o servizi non Lenovo.

Lenovo può avere brevetti o domande di brevetti in corso relativi a quanto trattato in questa pubblicazione. La fornitura di questa pubblicazione non implica la concessione di alcuna licenza su di essi. È possibile inviare richieste relative alle licenze, scrivendo a:

*Lenovo (United States), Inc.
1009 Think Place - Building One
Morrisville, NC 27560
U.S.A.
Attention: Lenovo Director of Licensing*

LENOVO FORNISCE QUESTA PUBBLICAZIONE "COSÌ COM'È" SENZA ALCUN TIPO DI GARANZIA, SIA ESPRESSA CHE IMPLICITA, INCLUSE EVENTUALI GARANZIE DI COMMERCIALIZZABILITÀ ED IDONEITÀ AD UNO SCOPO PARTICOLARE. Alcune giurisdizioni non escludono le garanzie implicite; di conseguenza la suddetta esclusione potrebbe, in questo caso, non essere applicabile.

Queste informazioni potrebbero contenere imprecisioni tecniche o errori tipografici. Le informazioni incluse in questo documento vengono modificate periodicamente; queste modifiche vengono inserite nelle nuove versioni della pubblicazione. La Lenovo si riserva il diritto di apportare miglioramenti e/o modifiche al prodotto e/o al programma descritto nella pubblicazione in qualsiasi momento e senza preavviso.

I prodotti descritti nel presente documento non implicano che possano essere utilizzati in impianti o in altre applicazioni di supporto delle funzioni vitali in cui il malfunzionamento può provocare danni a persone, incluso il decesso. Le informazioni contenute in questa documentazione non modificano o non influiscono sulle specifiche dei prodotti Lenovo o sulla garanzia. Nessuna parte di questo documento può essere interpretata come licenza espressa o implicita o indennità rispetto ai diritti di proprietà intellettuale di Lenovo o di terzi.

Tutte le informazioni contenute in questo documento sono state ottenute in ambienti specifici e vengono presentate come un'illustrazione. Quindi, è possibile che il risultato, ottenuto in altri ambienti operativi, vari significativamente.

Lenovo potrebbe utilizzare o divulgare le informazioni ricevute dagli utenti secondo le modalità ritenute appropriate senza alcun obbligo nei loro confronti.

Tutti i riferimenti a siti Web non Lenovo contenuti in questo documento sono forniti solo per consultazione. I materiali disponibili in questi siti non fanno parte di questo prodotto e l'utilizzo di questi è a discrezione dell'utente.

I dati di prestazioni contenuti sono stati determinati in un ambiente controllato. Quindi, è possibile che il risultato ottenuto in altri ambienti operativi vari in modo significativo. È possibile che alcune misurazioni siano state eseguite su sistemi in via di sviluppo e non vi è alcuna garanzia che tali misurazioni siano uguali a quelle dei sistemi immessi sul mercato. Inoltre, alcune misurazioni possono essere valutate tramite estrapolazione. I risultati reali possono variare. Gli utenti di questo documento dovrebbero verificare i dati applicativi per il loro ambiente specifico.

Informazioni particolari sull'uscita TV

Le seguenti informazioni riguardano i modelli che dispongono di un'uscita TV preinstallata.

Questo prodotto include la tecnologia per la protezione del copyright a sua volta protetta da normative sulle licenze U.S. e da altri diritti sulla proprietà intellettuale della Macrovision Corporation ed altri. L'utilizzo di tale tecnologia per la protezione del copyright deve essere autorizzato dalla Macrovision Corporation ed è destinato ad usi domestici o comunque ad usi che implicano una visione limitata, se non diversamente specificato dalla Macrovision Corporation. È proibita la retroingegnerizzazione o il disimballaggio.

Marchi

I seguenti termini sono marchi della Lenovo negli Stati Uniti e/o in altri paesi:

- Lenovo
- Rescue and Recovery
- ThinkCentre
- ThinkPad
- ThinkVantage

IBM è un marchio della International Business Machines Corporation negli Stati Uniti e/o in altri Paesi.

I nomi di altre società, prodotti o servizi potrebbero essere marchi di altre società.

Informazioni sulle emissioni elettromagnetiche

Le seguenti informazioni fanno riferimento ai tipi di macchina personal computer Lenovo: 6490, 6491, 8013, 8700, 8701, 8702, 8705, 8706, 8716, 8717, 8970, 8972, 8973, 8975, 8976, 8979, 8980, 8982, 8983, 8985, 8986, 8991, 8992, 8994, 8995, 9265, 9266, 9269, 9276, 9277, 9278, 9279, 9282, 9283, 9286, 9287, 9288, 9374, 9378, 9379, 9380, 9383, 9384, 9387, 9389, 9628, 9631, 9632, 9635, 9636, 9637, 9638, 9640, 9641, 9642, 9643, 9644, 9645, 9646, 9647, 9648, 9649, 9694, 9695.

Dichiarazione di conformità FCC (Federal Communications Commission)

Quest'apparecchiatura è stata sottoposta a verifiche e trovata conforme con le limitazioni dei dispositivi digitali di classe B, secondo l'articolo 15 delle norme FCC. Queste limitazioni sono state progettate per fornire un'adeguata protezione contro interferenze nocive in caso di installazione domestica.

Quest'apparecchiatura genera, utilizza, e può irradiare emissioni elettromagnetiche e, se non installata ed utilizzata secondo le istruzioni, potrebbe causare interferenze nocive alle comunicazioni radio. Tuttavia, non sussiste garanzia che non siano prodotte interferenze in una determinata installazione. Se l'apparecchiatura dovesse causare interferenze nocive alle ricezioni radiofoniche e televisive, determinate dallo spegnimento e dall'accensione del dispositivo, l'utente è invitato a ovviare a tali interferenze seguendo la\le fasi di seguito riportate:

- Orientare o riposizionare l'antenna di ricezione.
- Aumentare la distanza tra l'elaboratore e il ricevitore.
- Collegare l'elaboratore ad una presa o un circuito diversi da quelli a cui è collegato il ricevitore.
- Per informazioni, consultare un rivenditore autorizzato oppure un rappresentante del servizio assistenza.

La Lenovo non è responsabile per alcuna interferenza radiofonica o televisiva causata dall'utilizzo di cavi e connettori non consigliati, o da cambiamenti e modifiche dell'apparecchiatura effettuate da personale non autorizzato.

Modifiche e cambiamenti effettuati da personale non autorizzato possono invalidare l'utilizzo dell'apparecchiatura.

Questo prodotto è conforme alle norme FCCT Part 15. L'utilizzo è sottoposto alle due seguenti condizioni: (1) il dispositivo non deve causare interferenze dannose e (2) deve accettare qualsiasi interferenza ricevuta, incluse interferenze che possano causare un funzionamento indesiderato.

Parte responsabile:

Lenovo (United States) Inc.
One Manhattanville Road
Purchase, New York 10577
Telephone: (919) 254-5900



Tested To Comply
With FCC Standards

FOR HOME OR OFFICE USE

Dichiarazione di conformità industriale delle emissioni di Classe B per il Canada

Quest'apparecchiatura digitale di Classe B è conforme alla ICES-003 del Canada.

Dichiarazione di conformità per la comunità europea

Questo prodotto è conforme ai requisiti di protezione della direttiva dell'Unione Europea 89/336/EEC sulle norme degli Stati membri relative alla compatibilità elettromagnetica. Lenovo non accetta alcuna responsabilità per gli errori derivanti dall'osservazione dei requisiti di protezione risultanti da eventuali modifiche non consigliate del prodotto, compreso l'inserimento di schede opzionali di altri costruttori.

Questo prodotto soddisfa i limiti di emissione della norma EN 55022 Classe B. Le limitazioni per le apparecchiature di classe B sono tese a una protezione adeguata, in ambienti tipici residenziali, contro le interferenze con i dispositivi di comunicazione.

Dichiarazione di Classe B per la Corea

이 기기는 가정용으로 전자파 적합등록을 한 기기로서
주거지역에서는 물론 모든 지역에서 사용할 수 있습니다.

Dichiarazione di Classe B VCCI per il Giappone

この装置は、情報処理装置等電波障害自主規制協議会（VCCI）の基準に基づくクラスB情報技術装置です。この装置は、家庭環境で使用することを目的としていますが、この装置がラジオやテレビジョン受信機に近接して使用されると、受信障害を引き起こすことがあります。
取扱説明書に従って正しい取り扱いをして下さい。

Conformità per il Giappone per i prodotti inferiori o uguali a 20A per fase

高調波電流規格 JIS C 61000-3-2 適合品

Informazioni sull'assistenza dei prodotti Lenovo per Taiwan

台灣 Lenovo 產品服務資訊如下：
荷蘭商思惟電腦產品股份有限公司台灣分公司
台北市信義區信義路五段七號十九樓之一
服務電話：0800-000-700

Federal Communications Commission (FCC) and telephone company requirements

1. This device complies with Part 68 of the FCC rules. A label is affixed to the device that contains, among other things, the FCC registration number, USOC, and Ringer Equivalency Number (REN) for this equipment. If these numbers are requested, provide this information to your telephone company.

Nota: If the device is an internal modem, a second FCC registration label is also provided. You may attach the label to the exterior of the computer in which you install the Lenovo modem, or you may attach the label to the external DAA, if you have one. Place the label in a location that is easily accessible, should you need to provide the label information to the telephone company.

2. The REN is useful to determine the quantity of devices you may connect to your telephone line and still have those devices ring when your number is called. In most, but not all areas, the sum of the RENs of all devices should not exceed five (5). To be certain of the number of devices you may connect to your line, as determined by the REN, you should call your local telephone company to determine the maximum REN for your calling area.
3. If the device causes harm to the telephone network, the telephone company may discontinue your service temporarily. If possible, they will notify you in advance; if advance notice is not practical, you will be notified as soon as possible. You will be advised of your right to file a complaint with the FCC.

4. Your telephone company may make changes in its facilities, equipment, operations, or procedures that could affect the proper operation of your equipment. If they do, you will be given advance notice to give you an opportunity to maintain uninterrupted service.
5. If you experience trouble with this product, contact your authorized reseller or call the Customer Support Center. In the United States, call **1-800-426-7378**. In Canada, call **1-800-565-3344**. You may be required to present proof of purchase.

The telephone company may ask you to disconnect the device from the network until the problem has been corrected, or until you are sure the device is not malfunctioning.

6. No customer repairs are possible to the device. If you experience trouble with the device, contact your Authorized Reseller or see the Diagnostics section of this manual for information.
7. This device may not be used on coin service provided by the telephone company. Il collegamento alle linee telefoniche è soggetto alle tariffe dello stato. Contact your state public utility commission or corporation commission for information.
8. When ordering network interface (NI) service from the local Exchange Carrier, specify service arrangement USOC RJ11C.

Canadian Department of Communications certification label

NOTICE: The Industry Canada label identifies certified equipment. This certification means that the equipment meets telecommunications network protective, operational and safety requirements as prescribed in the appropriate Terminal Equipment Technical Requirements documents. The Department does not guarantee the equipment will operate to the user's satisfaction.

Before installing this equipment, users should ensure that it is permissible to be connected to the facilities of the local telecommunications company. The equipment must also be installed using an acceptable method of connection. The customer should be aware that compliance with the above conditions may not prevent degradation of service in some situations. * Repairs to certified equipment should be coordinated * by a representative designated by * the supplier. Any repairs or alterations made by the user to this equipment, or equipment malfunctions, may give the telecommunications company cause to request the user to disconnect the equipment.

Users should ensure for their own protection that the electrical ground connections of the power utility, telephone lines, and internal metallic water pipe system, if present, are connected together. This precaution may be particularly important in rural areas.

Caution: Users should not attempt to make such connections themselves, but should contact the appropriate electric inspection authority, or electrician, as appropriate.

NOTICE: The Ringer Equivalence Number (REN) assigned to each terminal device provides an indication of the maximum number of terminals allowed to be connected to a telephone interface. * The termination on an * interface may consist of any combination * of devices subject only to the requirement * that the sum of the Ringer Equivalence * Numbers of all the devices does not exceed 5.

Informazioni relative ai cavi di alimentazione

Per la sicurezza dell'utente, la Lenovo fornisce un cavo di alimentazione con spina munita di terra di sicurezza da utilizzare con questo prodotto. Per evitare pericolose scosse elettriche, utilizzare sempre il cavo di alimentazione e la spina con una presa di corrente munita di alveolo correttamente collegato alla terra di protezione.

I cavi di alimentazione forniti dalla Lenovo utilizzati negli Stati Uniti e in Canada sono accettati dai laboratori UL (Underwriter's Laboratories) e certificati dall'associazione CSA (Canadian Standards Association).

Per unità che devono funzionare a 115 volt: Utilizzare cavi di alimentazione approvati dai laboratori UL e certificati dalla CSA, con AWG 18 (minimo), di tipo SVT o SJT, con cavo a tre conduttori, di lunghezza massima di circa 4,5 metri con lama a tandem, con spina dotata di messa a terra da 15 Amp e 125 volt.

Per unità che devono funzionare a 230 volt (U.S.A): Utilizzare cavi di alimentazione approvati dai laboratori UL e certificati dalla CSA, con AWG 18 (minimo), di tipo SVT o SJT, con cavo a tre conduttori, di lunghezza massima di circa 4,5 metri con lama a tandem, con spina dotata di messa a terra da 15 Amp e 250 volt.

Per unità che devono funzionare a 230 volt (in nazioni diverse dagli Stati Uniti): Utilizzare un cavo con una spina munita di spinotto di terra. Il cavo deve essere conforme alle norme di sicurezza relative al paese in cui l'apparecchiatura viene installata.

I cavi di alimentazione forniti dalla Lenovo per un paese specifico sono reperibili solo in quel paese:

Per le unità funzionanti in Germania: i cavi di alimentazione devono essere approvati a norma di legge. Per la Germania, devono essere H05VV-F, 3G, 0,75 mm² o superiore. Per tutti gli altri paesi, i tipi appropriati devono essere

utilizzati di conseguenza.

Numero parte del cavo di alimentazione	Utilizzato in questi Paesi
24R2633	Giappone
39M5067	Argentina, Paraguay, Uruguay
39M5080	Antille Olandesi, Antigua e Barbuda, Arabia Saudita, Aruba, Bahamas, Barbados, Belize, Bermuda, Bolivia, Canada, Costa Rica, Columbia, Cuba, Repubblica Dominicana, Ecuador, El Salvador, Filippine Guam, Guatemala, Haiti, Honduras, Isole Calicos, Isole Cayman, Giamaica, Messico, Micronesia (Stati Federali), Nicaragua, Panama, Perù, Stati Uniti, Thailandia, Taiwan, Venezuela
39M5102	Australia, Nuova Zelanda
39M5122	Afghanistan, Albania, Algeria, Andorra, Angola, Armenia, Austria, Azerbaijan, Bielorussia, Belgio, Benin, Bosnia Erzegovina, Bulgaria, Burkina Faso, Burundi, Cambogia, Camerun, Capo Verde, Repubblica Centrafricana, Ciad, Comoros, Congo (Repubblica democratica del), Congo (Repubblica del), Costa D'Avorio, Croazia (Repubblica di), Repubblica Ceca, Dahomey, Gibuti, Egitto, Guinea Equatoriale, Eritrea, Estonia, Etiopia, Finlandia, Francia, Guyana Francese, Polinesia Francese, Gabon, Georgia, Germania, Grecia, Guadalupe, Guinea, Guinea Bissau, Ungheria, Islanda, Indonesia, Iran, Kazakistan, Kirgizstan, Laos (Repubblica popolare democratica del), Lettonia, Libano, Lituania, Lussemburgo, Macedonia (ex-Repubblica Jugoslava di), Madagascar, Mali, Martinica, Mauritania, Mauritius, Mayotte, Moldova (Repubblica di), Monaco, Mongolia, Marocco, Mozambico, Paesi Bassi, Nuova Caledonia, Niger, Norvegia, Polonia, Portogallo, Reunion, Romania, Federazione Russa, Rwanda, Sao Tome e Principe, Arabia Saudita, Senegal, Serbia, Slovacchia, Slovenia (Repubblica di), Somalia, Spagna, Suriname, Svezia, Siria, Tajikistan, Tahiti, Togo, Tunisia, Turchia, Turkmenistan, Ucraina, Alto Volta, Uzbekistan, Vanuatu, Vietnam, Wallis e Futuna, Jugoslavia (Repubblica federale di), Zaire
39M5129	Danimarca
39M5143	Bangladesh, Lesotho, Macao S.A.R, Maldive, Namibia, Nepal, Pakistan, Samoa, Sud Africa, Sri Lanka, Swaziland, Uganda
39M5150	Abu Dhabi, Australia, Bahrain, Botswana, Brunei Darussalam, Channel Islands, Cipro, Dominica, Fiji, Gambia, Ghana, Grenada, Guyana, Hong Kong S.A.R. della Cina, Iraq, Irlanda, Giordania, Kenya, Kiribati, Kuwait, Liberia, Malawi, Malaysia, Malta, Myanmar (Burma), Nauru, Nuova Zelanda, Nigeria, Oman, Papua Nuova Guinea, Qatar, Saint Kitts e Nevis, Saint Lucia, Saint Vincent e Grenadines, Seychelles, Sierra Leone, Singapore, Sudan, Tanzania (Repubblica unita di), Trinidad & Tobago, Emirati Arabi Uniti (Dubai), Regno Unito, Yemen, Zambia, Zimbabwe
39M5151	Hong Kong S.A.R. della Cina, Corea

Numero parte del cavo di alimentazione	Utilizzato in questi Paesi
39M5157	Liechtenstein, Svizzera
39M5164	Cile, Italia, Libyan Arab Jamahiriya
39M5171	Israele
39M5205	Cina
39M5212	Corea
39M5232	Brasile
39M5246	Taiwan
41R3175	India

Informazioni sui cavi PVC (Polyvinyl Chloride)

AVVERTENZA: maneggiare i cavi di questo prodotto o quelli degli accessori forniti con questo prodotto potrebbe causare il cancro, difetti di nascita o altre malattie legate alla riproduzione, a causa dell'esposizione a un componente chimico noto in California.

Informazioni particolari su WEEE (waste electrical and electronic equipment)

Lenovo incoraggia i proprietari di apparecchiature IT (Information Technology) a riciclarle in modo responsabile qualora non siano più necessarie. Lenovo mette a disposizione una serie di programmi e servizi che forniscono ausilio ai proprietari di apparecchiature nel riciclare i relativi prodotti IT. Le informazioni relative al riciclo di prodotti sono disponibili sul sito Internet di Lenovo all'indirizzo

<http://www.pc.ibm.com/ww/lenovo/about/environment/>.

Dichiarazione WEEE EU (European Union)

Il marchio WEEE è valido solo per paesi della Comunità europea e per la Norvegia. I dispositivi sono etichettati in base alle Direttiva Europea 2002/96/EC relativa a WEEE (waste electrical and electronic equipment). Tale Direttiva determina la struttura per la restituzione e il riciclaggio dei dispositivi utilizzati in base a quanto stabilito dall'Unione europea. Questo contrassegno viene applicato a diversi prodotti per indicare che il prodotto non deve essere gettato via ma deve essere smaltito in base a quanto riportato nella Direttiva.

Gli utenti (electrical and electronic equipment) con marchio WEEE per Annex IV della Direttiva WEEE non devono eliminare l'EEE come normale rifiuto urbano, ma devono utilizzare la struttura di raccolta indicata per la

restituzione, il riciclo e il recupero di WEEE e ridurre gli effetti potenziali di EEE sull'ambiente e sulla salute dell'operatore dovuti alla presenza di sostanze tossiche. Per ulteriori informazioni WEEE visitare il sito:
<http://www.lenovo.com/lenovo/environment>.

Dichiarazione di riciclo per il Giappone

Raccolta e riciclo di video o computer Lenovo in disuso

Se si è un dipendente di un'azienda e si desidera smaltire un video o computer Lenovo di proprietà dell'azienda stessa, è necessario effettuare tale operazione in accordo con la normativa per la promozione dell'utilizzo efficace delle risorse (Law for Promotion of Effective Utilization of Resources). I computer ed i video sono considerati rifiuti industriali e devono essere smaltiti da un apposito contraente che si occupi dello smaltimento dei rifiuti industriali certificato dalle autorità locali. In accordo con la normativa per la promozione dell'utilizzo efficace delle risorse (Law for Promotion of Effective Utilization of Resources), in Giappone Lenovo provvede, mediante i relativi servizi di raccolta e riciclo PC, alla raccolta, al riutilizzo e al riciclo di computer e video in disuso. Per informazioni dettagliate, consultare il sito Web Lenovo all'indirizzo
www.ibm.com/jp/pc/service/recycle/pcrecycle/

In conformità alla normativa per la promozione dell'utilizzo efficace delle risorse (Law for Promotion of Effective Utilization of Resources), la raccolta e il riciclo di computer e video di uso domestico da parte dei produttori è iniziata il 1 ottobre 2003. Tale servizio è fornito gratuitamente per computer di uso domestico venduti a partire dal 1 ottobre 2003. Per informazioni dettagliate, consultare il sito Web Lenovo all'indirizzo www.ibm.com/jp/pc/service/recycle/personal/.

Smaltimento di un componente di un computer Lenovo

Alcuni computer Lenovo venduti in Giappone possono disporre di componenti che contengono metalli pesanti o altre sostanze che possono avere un impatto ambientale. Per smaltire correttamente i componenti in disuso, come unità o schede a circuito stampato, utilizzare i metodi descritti in precedenza relativi alla raccolta e al riciclo di un video o computer in disuso.

Smaltimento di batterie al litio in disuso da computer Lenovo

Sulla scheda di sistema del computer Lenovo in uso è installata una batteria al litio a forma di pulsante che fornisce alimentazione all'orologio di sistema mentre il computer è spento o scollegato dalla fonte di alimentazione principale. Se si desidera sostituirla con una nuova, contattare il punto vendita oppure rivolgersi al servizio di assistenza Lenovo. Se si è provveduto alla sostituzione e si desidera smaltire la batteria al litio in disuso, isolarla con del

nastro vinilico, contattare il punto vendita e seguire le relative istruzioni. Se si utilizza un computer Lenovo presso il proprio domicilio e si desidera smaltire una batteria al litio, è necessario effettuare tale operazione in conformità alle normative e alle ordinanze locali.

Hoofdstuk 1. Belangrijke veiligheidsinformatie

Opmerking

Het is van belang dat u eerst de veiligheidsinformatie leest.

Deze informatie helpt u uw desktop of notebook veilig te gebruiken. Gebruik en bewaar alle informatie die bij uw computer is geleverd. De informatie in dit document vormt op geen enkele manier een wijziging van de voorwaarden in de koopovereenkomst of de Lenovo™ Beperkte Garantie. Lees voor meer informatie Hoofdstuk 3, "Lenovo Verklaring van Beperkte Garantie", op pagina 343.

De veiligheid van de klant is belangrijk. Onze producten worden ontworpen met het oog op veiligheid en effectiviteit. Personal computers zijn echter elektronische apparaten. Netsnoeren, voedingsadapters en andere onderdelen kunnen een veiligheidsrisico opleveren dat, met name bij onjuist gebruik en misbruik, kan leiden tot schade en lichamelijk letsel. Om deze risico's te verkleinen, dient u de bij het product geleverde instructies te volgen, u te houden aan alle waarschuwingen op het product zelf en in de bedieningsinstructies, en de informatie in dit document zorgvuldig te lezen. Door de instructies in dit document en bij het product zorgvuldig op te volgen, kunt u zichzelf beschermen tegen gevaar en zorgen voor een veilige werkomgeving.

Opmerking: Deze informatie bevat verwijzingen naar voedingsadapters en batterijen. Naast notebookcomputers worden ook andere producten (zoals luidsprekers en beeldschermen) geleverd met een externe voedingsadapter. Als u een dergelijk product in bezit hebt, is deze informatie ook daarop van toepassing. Bovendien kunnen er in computerproducten interne batterijen ter grootte van een munt ("knoopcellen") zijn verwerkt, waarmee de systeemklok in stand wordt gehouden wanneer de stekker niet in het stopcontact zit. De veiligheidsvoorschriften voor batterijen gelden dus voor alle computerproducten.

Situaties waarin onmiddellijk handelen vereist is

Door misbruik of achteloosheid kunnen producten beschadigd raken. Bepaalde schade aan producten is zo ernstig dat het product niet meer mag worden gebruikt voordat het is geïnspecteerd en, indien nodig, gerepareerd door een geautoriseerde onderhoudstechnicus.

Net als bij andere elektronische producten dient u goed op het product te letten wanneer u het aanzet. In zeer uitzonderlijke gevallen kan het zijn dat u een geur waarneemt of rook dan wel vonkjes uit het product ziet komen. Het kan ook zijn dat u een ploppend, krakend of sissend geluid hoort. Dit kan erop wijzen dat een van de interne elektronische componenten op een gecontroleerde manier defect is geraakt. Het kan echter ook een indicatie

zijn van een mogelijk gevaarlijke situatie. Neem in dergelijke gevallen nooit risico's en probeer niet zelf een diagnose te stellen. Neem voor hulp contact op met het Customer Support Center. Zie "Internationale lijst van telefoonnummers" op pagina 381 voor een lijst van telefoonnummers voor service en ondersteuning.

Controleer de computer en de onderdelen regelmatig op beschadigingen, sporen van slijtage en mogelijk gevaar. Mocht u twijfels hebben over de conditie van een bepaalde component, gebruik het product dan niet. Neem contact op met het Customer Support Center of met de fabrikant van het product. U krijgt dan te horen hoe u het product kunt inspecteren en, indien nodig, kunt laten repareren.

In het onwaarschijnlijke geval dat een van de onderstaande omstandigheden zich voordoet of als u twijfelt aan de veiligheid van het product, stopt u het gebruik van het product, haalt u de stekker uit het stopcontact en ontkoppelt u de telefoonkabels. Neem voor verdere instructies contact op met het Customer Support Center.

- Gebroken of beschadigde netsnoeren, stekkers, adapters, verlengsnoeren, piekspanningsbeveiligingen of voedingseenheden.
- Tekenen van oververhitting, rook, vonken of vuur.
- Schade aan een batterij (zoals barsten of deuken), spontane ontlading of lekkage uit de batterij (herkenbaar aan vreemde stoffen).
- Een krakend, sissend of knallend geluid of een sterke geur afkomstig uit het product.
- Aanwijzingen dat er vloeistof is gemorst of dat er iets op de computer, het netsnoer of de voedingsadapter is gevallen.
- De computer, het netsnoer of de adapter zijn nat geworden.
- Het product is gevallen of op welke manier dan ook beschadigd.
- Het product werkt niet normaal als u de bedieningsinstructies volgt.

Opmerking: Als u deze situatie constateert bij een product (bijvoorbeeld een verlengsnoer) dat niet is gefabriceerd door Lenovo, gebruik dit product dan niet meer totdat u advies hebt ingewonnen bij de fabrikant of totdat u een geschikte vervanging hebt gevonden.

Algemene veiligheidsrichtlijnen

Neem altijd de volgende voorzorgsmaatregelen in acht om de kans op letsel of schade te verkleinen:



Service en upgrades

Probeer niet zelf onderhoud aan het product uit te voeren, tenzij u hiertoe instructies hebt gekregen in de documentatie of vanuit het Customer Support Center. Gebruik alleen een serviceverlener die goedkeuring heeft voor het repareren van het desbetreffende product.

Opmerking: Sommige onderdelen van de computer kunnen door de gebruiker worden uitgebreid of vervangen. Upgrades worden meestal "opties" genoemd. Vervangende onderdelen die zijn goedgekeurd om door de klant zelf te worden geïnstalleerd, worden Customer Replaceable Units of CRU's genoemd. CRU's zijn voorzien van documentatie met instructies voor vervanging van deze onderdelen door de klant. Volg bij het installeren of vervangen van dergelijke onderdelen steeds de instructies. Dat het aan/uit-lampje niet brandt, betekent niet noodzakelijkerwijs dat het spanningsniveau binnenin een product nul is. Voordat u de kap opent van een product dat is uitgerust met een netsnoer, dient u altijd te controleren of het apparaat uit staat en of de stekker van het product uit het stopcontact is gehaald. Voor meer informatie over CRU's raadpleegt u het Handboek voor de gebruiker van dit product. Bij vragen neemt u contact op met het Customer Support Center.

Hoewel er geen bewegende onderdelen in uw computer zitten als het netsnoer uit het stopcontact is gehaald, is het goed om de de volgende waarschuwingen, omwille van uw veiligheid, ter harte te nemen:

Gevaar



Gevaarlijke bewegende onderdelen. Houd uw vingers en andere lichaamsdelen op afstand.

Attentie



Zet de computer uit en laat hem drie tot vijf minuten afkoelen voordat u de kap opent om CRU's te vervangen.

Voorkoming van statische elektriciteit

Statische elektriciteit is ongevaarlijk voor uzelf, maar kan de computeronderdelen en de opties zwaar beschadigen. Onjuist behandeling van onderdelen die gevoelig zijn voor statische elektriciteit, kan leiden tot schade aan die onderdelen. Als u een optie of CRU uitpakt, open de antistatische verpakking dan pas wanneer u instructie krijgt om de desbetreffende optie of CRU te installeren.

Als u werkt met opties of CRU's, of handelingen binnenin de computer uitvoert, neem dan de volgende voorzorgsmaatregelen om schade ten gevolge van statische elektriciteit te voorkomen:

- Beweeg zo min mogelijk. Door wrijving kan er statische elektriciteit ontstaan.
- Ga voorzichtig met de onderdelen om. Pak adapters, geheugenmodules en andere printplaten bij de rand beet. Raak nooit onbeschermd elektronische circuits aan.
- Zorg dat ook anderen de componenten niet aanraken.
- Wanneer u een nieuwe optie installeert die gevoelig is voor statische elektriciteit, houd dan de antistatische verpakking met dat onderdeel minstens 2 seconden tegen een metalen afdekplaatje van een uitbreidingsleuf of een ander ongeverfd metalen oppervlak op de computer. Hiermee vermindert u de statische lading van de verpakking en van uw lichaam.
- Installeer het onderdeel dat gevoelig is voor statische elektriciteit zo mogelijk direct vanuit de antistatische verpakking, zonder het eerst neer te leggen. Als u het onderdeel neer moet leggen nadat u het uit de verpakking hebt gehaald, leg het dan op de antistatische verpakking op een vlakke ondergrond.
- Leg het onderdeel niet op de kap van de computer of op een metalen ondergrond.

Netsnoeren en voedingsadapters

Gebruik uitsluitend netsnoeren en voedingsadapters die door de fabrikant van het product zijn geleverd.

U dient een goedgekeurd netsnoer te gebruiken. In Duitsland dient dit H05VV-F, 3G, 0,75 mm² of beter te zijn. In andere landen moeten dienovereenkomstig geschikte netsnoeren worden gebruikt.

Wind een netsnoer nooit om een voedingsadapter of een ander voorwerp. Hierdoor kan er een mechanische spanning op het snoer komen te staan, waardoor het kan rafelen of scheuren. Dit kan gevaar opleveren.

Plaats netsnoeren altijd zo, dat niemand er op kan gaan staan of over kan vallen en dat er geen voorwerpen op kunnen worden gezet.

Vorkom dat snoeren en voedingsadapters in aanraking komen met vloeistof. Laat een netsnoer of voedingsadapter bijvoorbeeld niet liggen bij een wasbak of toilet, of op een vloer die wordt schoongemaakt met een vloeibaar reinigingsmiddel. Vloeistoffen kunnen kortsluiting veroorzaken, met name als het netsnoer of de voedingsadapter slijtage vertoont ten gevolge van verkeerd gebruik. Bovendien kan vloeistof corrosie van de stekkers en/of aansluitpunten veroorzaken, hetgeen uiteindelijk kan leiden tot oververhitting.

Sluit de netsnoeren en signaalkabels altijd in de juiste volgorde aan en zorg dat de stekkers altijd stevig in het stopcontact zitten.

Gebruik geen voedingsadapter die sporen vertoont van corrosie aan de invoerpennen of sporen van oververhitting (zoals vervormd plastic) bij de aansluiting of op een ander deel van de voedingsadapter.

Maak nooit gebruik van een netsnoer waarvan de contactpunten sporen van roest, corrosie of oververhitting vertonen of waarvan het snoer of de stekker op welke manier dan ook beschadigd is.

Voltageschakelaar

Bepaalde computers zijn uitgerust met een voltageschakelaar naast de aansluiting van het netsnoer. Als uw computer een voltageschakelaar heeft, zorg er dan voor dat de instelling van de schakelaar overeenkomt met de spanning op het stopcontact. Als u een verkeerde spanning kiest, kan dit permanente schade aan de computer veroorzaken.

Als er geen voltageschakelaar aanwezig is, is de computer ontworpen voor gebruik met de spanning in het land of de regio waarin de computer oorspronkelijk is aangekocht.

Als u de computer naar een ander land meeneemt, let dan op het volgende:

- Als er geen voltageschakelaar aanwezig is, sluit de computer dan niet aan op het stopcontact totdat u hebt gecontroleerd of de spanning op het stopcontact gelijk is aan de spanning in het land of de regio waarin de computer oorspronkelijk is aangekocht.
- Als er een voltageschakelaar aanwezig is, sluit de computer dan niet aan op het stopcontact totdat u hebt gecontroleerd of de spanning die met de schakelaar is ingesteld, overeenkomt met de spanning in het land of de regio.

Als u niet zeker welke spanning wordt geleverd door het stopcontact, neemt u contact op met het elektriciteitsbedrijf of raadpleegt u officiële websites of andere documentatie voor reizigers in het land of de regio waar u zich bevindt.

Verlengsnoeren en aanverwante apparaten

Controleer of elk verlengsnoer, elke piekspanningsbeveiliging, elke noodvoeding en elke verdeelstekker die u gebruikt, bestand is tegen de elektrische eisen van het product. Overbelast deze apparaten nooit. Als u een verdeelstekker gebruikt, mag de belasting niet hoger zijn dan de invoerspecificatie van die stekker. Raadpleeg een elektricien als u vragen hebt over de capaciteit, vereisten en invoerspanning van apparatuur.

Stekkers en stopcontacten

Als het stopcontact waarop u de computerapparatuur wilt aansluiten beschadigd of verroest blijkt te zijn, gebruik het dan niet tot een gekwalificeerde elektricien het heeft vervangen.

Verbuig of verander de stekker niet. Als de stekker beschadigd is, bestel dan een vervangend exemplaar bij de fabrikant.

Gebruik voor de computer niet hetzelfde stopcontact als voor andere elektrische apparaten die veel stroom gebruiken. Het voltage kan dan instabiel worden, en dit kan leiden tot schade aan de computer, de gegevens en/of de aangesloten apparatuur.

Bepaalde producten worden geleverd met een stekker met randaarde. Deze stekker past alleen in een stopcontact met randaarde. Dit is een veiligheidsvoorziening. Steek dergelijke stekkers alleen in een geaard stopcontact. voorkom overbelasting van het stopcontact. De totale systeembelasting mag niet hoger zijn dan 80 procent van de specificatie van de groep. Raadpleeg een elektricien als u vragen hebt over belasting en de capaciteit van de verdeelkast.

Zorg dat het netsnoer dat u gebruikt, correct bedraad is, goed bereikbaar is en zich in de buurt van de apparatuur bevindt. Zorg dat het snoer niet helemaal strak staat; hierdoor kan het slijten.

Controleer of het stopcontact dat u gebruikt, de juiste spanning en stroomsterkte levert voor het apparaat dat u installeert.

Wees altijd zorgvuldig als u de stekker in het stopcontact steekt of eruit haalt.

Externe apparatuur

Sluit, als de computer aan staat, geen andere externe kabels of snoeren aan dan USB- en 1394-kabels, anders kan de computer beschadigd raken. Om schade aan de aangesloten apparaten te voorkomen, dient u na het uitschakelen van de computer minimaal vijf seconden te wachten voordat u de externe apparaten ontkoppelt.

Batterijen

Alle PC's die door Lenovo worden gefabriceerd, bevatten een niet-oplaadbare knoopcelbatterij die de systeemklok van stroom voorziet. Bovendien zijn veel mobiele producten, zoals notebookcomputers, uitgerust met een oplaadbare batterij die het systeem stroom levert als het niet is aangesloten op het lichtnet. De batterijen die door Lenovo voor uw product worden geleverd, zijn getest op compatibiliteit en mogen alleen worden vervangen door goedgekeurde onderdelen.

Probeer een batterij nooit open te maken of te repareren. Zorg dat de batterij niet gedeukt of doorboord wordt en niet in contact komt met open vuur. Voorkom kortsluiting van de metalen contactpunten. Stel de batterij niet bloot aan water of andere vloeistoffen. Laad de batterij uitsluitend op volgens de instructies in de productdocumentatie.

Door misbruik of onoordeelkundig gebruik kan de batterij oververhit raken, waardoor er gassen of vonken uit de batterij of knoopcel kunnen komen. Als uw batterij beschadigd is of lekt, of zich op de polen materiaal heeft afgezet, moet u de batterij niet meer gebruiken en een nieuwe aanschaffen.

Als batterijen lange tijd ongebruikt worden gelaten, kan de kwaliteit ervan teruglopen. Bij bepaalde oplaadbare batterijen (met name lithium-ionenbatterijen) kan het ongebruikt laten van de batterij in ontladen toestand leiden tot een verhoogde kans op kortsluiting, waardoor de levensduur van de batterij wordt verkort en er tevens een veiligheidsrisico ontstaat. Zorg dat oplaadbare lithium-ionenbatterijen niet helemaal ontladen raken en bewaar deze batterijen niet in ontladen toestand.

Warmteproductie en ventilatie

Computers, AC-adapters en veel accessoires genereren warmte als ze aan staan en als een batterij wordt opgeladen. Neem daarom altijd de volgende elementaire voorzorgsmaatregelen:

- Laat de computer, AC-adapter of toebehoren niet te lang op uw schoot als deze aan staan of als de batterij wordt opgeladen. De computer, AC-adapter en veel toebehoren produceren warmte tijdens normaal gebruik. Langdurig contact met uw lichaam of kleding kan ongemak en zelfs brandwonden veroorzaken.
- Laad de batterij niet op en werk niet met de computer, AC-adapter of toebehoren in de nabijheid van ontbrandbare materialen of in een omgeving met explosiegevaar.
- Ventilatieopeningen, ventilatoren en koelribben maken deel uit van het product omwille van de veiligheid, het comfort en een betrouwbare werking. Deze voorzieningen kunnen per ongeluk geblokkeerd raken als u het product op een bed, zitbank, vloerkleed of andere zachte ondergrond plaatst. Zorg ervoor dat deze voorzieningen nooit geblokkeerd, bedekt of uitgeschakeld raken.

Controleer uw bureaucomputer eens per drie maanden op ophopingen van stof. Schakel de stroom uit en haal de stekker uit het stopcontact voordat u de controle start; verwijder alle stof dat zich in openingen in de frontplaat bevindt. Als u van buitenaf ziet dat er zich ergens binnenin de computer stof heeft verzameld, verwijder ook dat dan en vergeet niet om de inlaat van het koelement, de sleuven in de voedingseenheid en de ventilatoren schoon te maken. Zet de computer altijd uit en haal de stekker uit het stopcontact voordat u de kap opent. Probeer te voorkomen dat uw computer wordt gebruikt in de buurt van plaatsen waar veel wordt gelopen. Mocht een dergelijke opstelling onvermijdelijk zijn, controleer dan vaker of de computer niet vuil is en maak de computer indien nodig vaker schoon.

Neem voor uw eigen veiligheid en voor het in stand houden van optimale computerprestaties altijd de volgende elementaire voorzorgsmaatregelen voor uw desktopcomputer:

- Houd de kap gesloten zolang de stekker in het stopcontact zit.
- Controleer regelmatig of de buitenkant van de computer niet bestoft is.
- Verwijder al het stof uit de ventilatiesleuven en -openingen in de frontplaat. Als de computer in een stoffige of drukke omgeving staat, kan het nodig zijn de computer vaker schoon te maken.
- Blokkeer de luchttoevoer naar de ventilatieopeningen niet.
- Plaats de computer niet in een kast of ander meubelstuk, want dit vergroot de kans dat de computer oververhit raakt.
- De lucht die in de computer wordt gezogen, mag niet warmer zijn dan 35° C.
- Gebruik geen luchtfilterapparatuur die niet voor desktops is bestemd.

Gebruiksomgeving

De optimale omgeving om uw computer in te gebruiken is een omgeving met een temperatuur van 10 tot 35°C en een relatieve vochtigheid van 35 tot 80%. Als uw computer is vervoerd of opgeslagen is geweest bij een temperatuur van minder dan 10°C, gebruik de koude computer dan niet meteen, maar geef hem de tijd om langzaam op de optimale bedrijfstemperatuur van 10 tot 35°C te komen. Onder bepaalde omstandigheden kan dit wel twee uur duren. Onder bepaalde omstandigheden kan dit wel twee uur duren. Laat u de computer niet goed op temperatuur komen, dan kan dit bij gebruik leiden tot onherstelbare schade.

Plaats de computer indien mogelijk in een goed geventileerde, droge ruimte, uit de zon.

Houd elektrische apparaten zoals ventilatoren, radio's, zware luidsprekers, air conditioners en magnetrons uit de buurt van de computer, want het sterke magnetische veld dat door dergelijke apparaten wordt veroorzaakt, kan schade toebrengen aan het beeldscherm en aan de gegevens op de vaste schijf.

Plaats nooit vloeistoffen op of naast de computer of de aangesloten apparatuur. Als er vloeistof op de computer of een aangesloten apparaat wordt gemorst, kan er kortsluiting ontstaan, met alle desastreuze gevolgen van dien.

Blijf, als u aan het eten of roken bent, uit de buurt van het toetsenbord. Er kan namelijk schade ontstaan door kruimels die op het toetsenbord vallen.

Veiligheidsvoorschriften voor de elektriciteit

Gevaar

Elektrische stroom van lichtnet-, telefoon- en communicatiekabels is gevaarlijk.

Houd u ter voorkoming van een schok aan het volgende:

- Om een elektrische schok te voorkomen, dient u de computer niet te gebruiken tijdens onweer.
- Sluit tijdens onweer geen kabels aan en ontkoppel ze niet; voer ook geen installatie-, onderhouds- of configuratiewerkzaamheden aan dit product uit tijdens onweer.
- Sluit alle netsnoeren aan op correct bedrade, geaarde stopcontacten.
- Sluit ook het netsnoer van alle apparaten die op dit product worden aangesloten aan op een correct geaard stopcontact.

- Gebruik indien mogelijk slechts één hand bij het aansluiten en loskoppelen van signaalkabels.
- Zet een apparaat nooit aan als dit brand-, water- of structuurschade veroorzaakt.
- Ontkoppel alle netsnoeren, telecommunicatiesystemen, netwerken en modems voordat u de kap van het apparaat opent, tenzij de installatie- of configuratie-instructies expliciet anders voorschrijven.
- Als u dit product of een aangesloten apparaat installeert, verplaatst of opent, houd u dan bij het aansluiten en loskoppelen van de kabels aan het volgende:

Aansluiten: <ol style="list-style-type: none"> 1. Zet alles UIT. 2. Sluit eerst alle kabels aan op de apparaten. 3. Sluit de signaalkabels aan. 4. Steek de stekker in het stopcontact. 5. Zet het apparaat AAN. 	Ontkoppelen: <ol style="list-style-type: none"> 1. Zet alles UIT. 2. Haal eerst de stekker uit het stopcontact. 3. Ontkoppel de signaalkabels. 4. Ontkoppel alle kabels en snoeren van de apparaten.
----------------------------------------------------------------------------------------------------------------------------------------------------------------------------------------------------------------------------------------------------------------------------	-------------------------------------------------------------------------------------------------------------------------------------------------------------------------------------------------------------------------------------------------------

Kennisgeving lithiumbatterij

Waarschuwing

Als de batterij op onjuiste wijze wordt vervangen, bestaat er explosiegevaar.

Vervang de lithium knoopbatterij alleen door hetzelfde type of door een gelijkwaardig type dat wordt aanbevolen door de fabrikant. De batterij bevat lithium en kan bij verkeerd gebruik exploderen.

Houd u aan het volgende:

- Gooi de batterij niet in water
- Verwarm de batterij niet boven 100°C
- Haal de batterij niet uit elkaar

Gooi de batterij niet bij het huisvuil weg, maar behandel deze als klein chemisch afval.

De volgende verklaring geldt voor gebruikers in de staat Californië, V.S.:

Materiaal met perchloraat: Wees voorzichtig. Zie www.dtsc.ca.gov/hazardouswaste/perchlorate.

Veiligheidsvoorschriften voor de modem

Waarschuwing

Gebruik alleen telefoonkabels van minimaal 0,13 mm (26 AWG) of dikker om het risico op brand zo klein mogelijk te houden.

Neem ter voorkoming van brand, elektrische schokken of verwondingen bij het gebruik van telefonische apparatuur altijd de volgende voorzorgsmaatregelen in acht:

- Installeer geen telefoonbedrading tijdens onweer.
- Installeer geen telefoonaansluitingen in natte ruimtes tenzij de aansluiting speciaal ontworpen is voor gebruik in natte ruimtes.
- Raak geen telefoonkabels of -stekkers aan die niet geïsoleerd zijn.
- Wees voorzichtig bij het installeren of doortrekken van telefoonlijnen.
- Gebruik de telefoon niet tijdens onweer, tenzij u een draadloos model hebt. Er bestaat een kleine kans op een elektrische schok als gevolg van blikseminslag.
- Geef gaslekken in de buurt van de telefoon niet telefonisch door.

Verklaring van conformiteit met laserrichtlijnen

Sommige personal computermodellen worden standaard geleverd met een CD- of DVD-station. CD- en DVD-stations zijn ook los als optie te verkrijgen. CD- en DVD-stations zijn laserproducten. Deze stations voldoen in de Verenigde Staten aan de eisen gesteld in de Department of Health and Human Services 21 Code of Federal Regulations (DHHS 21 CFR) Subchapter J voor laserproducten van Klasse 1. De stations voldoen aan de eisen gesteld in de International Electrotechnical Commission (IEC) 60825-1 en CENELEC EN 60825-1 bedoeld voor laserproducten van klasse 1.

Let bij het installeren van een CD- of DVD-station op het volgende.

Waarschuwing

Het wijzigen van instellingen of het uitvoeren van procedures anders dan hier is beschreven, kan leiden tot blootstelling aan gevaarlijke straling.

Open de behuizing van het CD-station of DVD-station niet. Als u de behuizing van het CD- of DVD-station opent, kunt u worden blootgesteld aan gevaarlijke laserstraling. Het CD- of DVD-station bevat geen onderdelen die kunnen worden vervangen of onderhouden.

Sommige CD- of DVD-stations bevatten een ingebouwde laserdiode van klasse 3A of 3B. Let op het volgende.

Gevaar

Laserstraling indien geopend. Kijk niet in de laserstraal en vermijd direct contact met de laserstraal.

Kennisgeving voedingseenheid

Verwijder nooit de kap van de voedingseenheid of van enige component waarop het volgende label is bevestigd.



Gevaarlijke spannings-, stroom- en voltageniveaus binnen componenten waarop dit label is bevestigd. Deze componenten bevatten geen onderdelen die kunnen worden vervangen of onderhouden. Als u vermoedt dat er met een van deze onderdelen een probleem is, neem dan contact op met een onderhoudstechnicus.

Producten met televisietuneropties

De kennisgeving hieronder is van toepassing op producten met televisietunerapparaten die verbinding maken met externe antennes of met kabel-TV en die bedoeld zijn voor installatie in Noord-Amerika. Gebruikers en installateurs in andere landen dienen de richtlijnen en verordeningen ter plaatse te volgen bij het installeren van apparatuur die verbinding maakt met externe antennes en systemen voor kabel-TV. Als er geen lokale richtlijnen van toepassing zijn, verdient het aanbeveling de richtlijnen hieronder of gelijksoortige richtlijnen te volgen.

Opmerking voor systeeminstalleur van kabel-TV

Dit is een herinnering voor alle installateurs van kabel-TV aan Article 820-40 van de National Electrical Code (NEC) waarin richtlijnen staan voor correcte aarding en in het bijzonder de richtlijn die aangeeft dat de aarde van de kabel moet worden aangesloten op de aarde van het gebouw, zo dicht mogelijk bij het punt waar de kabel het gebouw binnen komt.

De volgende kennisgeving is van toepassing op alle landen en regio's

Gevaar



Aarde van buitenantenne

Als een buitenantenne of -kabelsysteem aangesloten is op de apparatuur, zorg er dan voor dat de antenne of het kabelsysteem geaard is. Dit biedt enige bescherming tegen spanningspieken en opgebouwde statische elektriciteit.

Bliksem

Als u deze apparatuur extra wilt beschermen tijdens onweer of als u deze langere tijd onbeheerd en ongebruikt wilt laten, haal dan de stekker uit het stopcontact en ontkoppel de antenne of het kabelsysteem. Hierdoor voorkomt u schade aan het videogedeelte door bliksem en spanningspieken.

Spanningskabels

Plaats een systeem met buitenantenne niet in de buurt van overhangende spanningskabels of op een plaats waar het in dergelijke spanningskabels of -circuits kan vallen. Bij het installeren van een systeem met buitenantenne moet uiterste voorzichtigheid worden betracht om dergelijke spanningskabels en -circuits niet aan te raken. Aanraking ervan kan dodelijk zijn.

Veilig omgaan met gegevens

Verwijder onbekende bestanden niet en wijzig niet de naam van bestanden of directory's die niet door u zijn gemaakt. Doet u dat wel, dan werkt uw computer daarna wellicht niet meer goed.

Houd er rekening mee dat het gebruik van netwerkresources uw computer kwetsbaar kan maken voor computervirussen, hackers, spyware en andere kwaadwillige activiteiten die schade kunnen toebrengen aan uw computer, uw software en uw gegevens. Het is uw eigen verantwoordelijkheid ervoor te zorgen dat u adequaat bescherming regelt in de vorm van firewalls, antivirussoftware en anti-spywaresoftware, en dat u dergelijke software up-to-date houdt.

Reiniging en onderhoud

Houd uw computer en uw werkplek schoon. Als u de computer wilt schoonmaken, sluit de computer dan eerst af en haal de stekker uit het stopcontact. Spuit reinigingsmiddelen of andere vloeistoffen nooit rechtstreeks op de computer en maak de computer nooit schoon met reinigingsmiddelen die brandbare stoffen bevatten. Doe het reinigingsmiddel op een zachte doek en maak daarmee de buitenkant van de computer schoon.

Hoofdtelefoons of oortelefoons gebruiken

Als uw computer zowel een aansluiting voor een hoofdtelefoon heeft als een audio-aansluiting, gebruik dan altijd de aansluiting voor de hoofdtelefoon voor het aansluiten van een headset, een hoofdtelefoon of oortelefoon.

Langdurig gebruik van hoofd- of oortelefoon bij een hoog volume kan gevaarlijk zijn als de hoofd- of oortelefoon niet voldoet aan de specificaties van EN 50332-2. De uitvoer voor de hoofdtelefoon van uw computer voldoet aan EN 50332-2 Sub clause 5.1. Deze specificatie stelt een maximum van 150 mV aan het echte RMS uitvoervoltage van de maximale breedband van de computer. Ter bescherming tegen gehoorverlies dient u ervoor te zorgen dat gebruikte hoofdtelefoons en oortelefoons ook voldoen aan EN 50332-2 (Sub clause 6.1) voor een karakteristiek breedbandvoltage van 75 mV. Het gebruik van hoofdtelefoons die niet voldoen aan EN 50332-2 kan gevaarlijk zijn door excessieve geluidsniveaus.

Als uw Lenovo-computer is geleverd met een hoofdtelefoon of oortelefoon, voldoen de computer met hoofdtelefoon of oortelefoon als set aan de specificaties van EN 50332-1. Als u andere hoofd- of oortelefoons gebruikt, zorg er dan voor dat deze voldoen aan EN 50332-2 (Sub clause 6.1) voor een karakteristiek breedbandvoltage van 75 mV. Het gebruik van hoofdtelefoons die niet voldoen aan EN 50332-2 kan gevaarlijk zijn door excessieve geluidsniveaus.

Aanvullende veiligheidsinformatie

Plastic zakken kunnen gevaarlijk zijn. Houd plastic zakken uit de buurt van baby's en kinderen om de kans op verstikking te voorkomen.

Hoofdstuk 2. Informatiebronnen

Nadat u uw computer hebt geïnstalleerd aan de hand van de bijgeleverde Setup Poster kunt u via de informatie in dit hoofdstuk andere belangrijke informatiebronnen met betrekking tot uw computer raadplegen.

Map Online Boeken

De map Online Boeken bevat publicaties die u helpen bij de installatie en het gebruik van de computer. Deze map is vooraf op uw computer geïnstalleerd en u hebt geen toegang tot internet nodig om de publicaties te kunnen bekijken. De volgende publicaties staan in de map Online Boeken:

- *Handboek voor de gebruiker*
Deze publicatie bevat informatie over het installeren van de computer, het installeren van opties, het herstellen van beschadigde software, het werken met het programma Setup Utility, het bijwerken van systeemprogramma's en het oplossen van problemen.
- *Gids voor het vervangen van hardware*
Deze publicatie bevat stapsgewijze instructies voor het vervangen van de CRU's (Customer Replaceable Units) in de computer. CRU's zijn onderdelen van de computer die door de gebruiker kunnen worden geüpgraded of vervangen.

Om deze publicatie te openen, opent u het menu Start, selecteert u **Alle programma's** en **Online boeken** en klikt u op **Online boeken**. Dubbelklik op de gewenste publicatie voor uw computer. Deze publicaties zijn ook aanwezig op de Lenovo-website, op <http://www.lenovo.com>.

Opmerkingen:

1. Voor deze publicaties wordt gebruik gemaakt van PDF-indeling (Portable Document Format); om ze te kunnen lezen hebt u het programma Adobe Acrobat Reader nodig. Als Adobe Acrobat Reader nog niet op uw computer is geïnstalleerd en u probeert een PDF-bestand te openen, dan verschijnt er een bericht en wordt u door de installatie van Adobe Acrobat Reader geloodst.
2. De publicaties die vooraf op uw computer zijn geïnstalleerd, zijn op de Lenovo-website (<http://www.lenovo.com/support/>) beschikbaar in andere talen.
3. Als u van Adobe Acrobat Reader een versie wilt installeren in een andere taal dan die waarin het programma op uw computer is geïnstalleerd, gaat u naar de website van Adobe (<http://www.adobe.com>) en downloadt u de gewenste versie.

ThinkVantage Productivity Center

Het programma ThinkVantage® Productivity Center wijst u de weg naar een keur aan informatiebronnen en tools, en is niet alleen bedoeld om computergebruik gemakkelijker en veiliger te maken, maar ook om u te helpen de kosten te beperken en de productiviteit te verhogen. Het ThinkVantage Productivity Center helpt u bij het installeren, doorgronden en verbeteren van de computer.

Het ThinkVantage Productivity Center bevat informatie over uw computer en biedt heel gemakkelijk toegang tot diverse technieken, waaronder:

- Het programma Rescue and Recovery
- Productivity Center
- Client Security Solutions
- Fabrieksherstel
- System Updates
- Service en Ondersteuning

Opmerking: ThinkVantage Technologies zijn slechts op bepaalde Lenovo-computers beschikbaar.

U opent het ThinkVantage Productivity Center het menu Start te openen en achtereenvolgens op **Alle programma's**, **ThinkVantage** en **Productivity Center** te klikken.

Access Help

Access Help is een online Help-systeem dat informatie verstrekt over de manier waarop u aan de slag kunt gaan, over het uitvoeren van elementaire handelingen, het aanpassen van instellingen aan uw persoonlijke voorkeuren, het beschermen van gegevens, het uitbreiden en upgraden van de computer, en het oplossen van problemen.

U opent Access Help door het menu Start te openen en achtereenvolgens op **Alle programma's**, **ThinkVantage** en **Access Help** te klikken. Nadat u Access Help hebt geopend, kunt u in het linker deelvenster een keuze maken op het tabblad Inhoud of Index, of via het het tabblad Zoeken op zoek gaan naar een bepaald woord.

www.lenovo.com

De Lenovo-website (www.lenovo.com) bevat een enorme hoeveelheid informatie en services ter ondersteuning van het aanschaffen, upgraden en onderhouden van de computer. De meest up-to-date informatie voor uw computer is steeds op de Lenovo-website beschikbaar. Op de website www.lenovo.com kunt u tevens:

- Desktop- en notebookcomputers, beeldschermen, projectoren, upgrades en accessoires voor uw computer aanschaffen, en profiteren van speciale aanbiedingen.
- Extra diensten aanschaffen, zoals ondersteuning voor hardware, besturings-systemen en softwareprogramma's, instellen en configureren van het netwerk, en installatie op maat.
- Upgrades en uitgebreide reparatieservices voor de hardware aanschaffen.
- De meest recente stuurprogramma's en updates van de software voor uw specifieke model computer downloaden.
- De online handleidingen voor uw producten raadplegen.
- De Lenovo Verklaring van Beperkte Garantie lezen.
- Toegang krijgen tot informatie over probleemoplossing en ondersteuning voor uw model computer en andere ondersteunde producten.
- De telefoonnummers van de service- en ondersteuningsdienst voor uw land of regio opzoeken.
- Zoeken naar een serviceverlenen bij u in de buurt.

Computergegevens noteren

Het noteren van bepaalde gegevens van uw computer kan handig zijn als uw computer ooit gerepareerd moet worden. De onderhoudstechnicus zal hoogstwaarschijnlijk naar deze gegevens vragen.

Machinetype, model en serienummer staan op een sticker op uw computer. Leg de informatie vast aan de hand van onderstaande tabel.

Productnaam	_____
Machinetype en model	_____
Serienummer (S/N)	_____
Aankoopdatum	_____

U kunt uw computer registreren via internet op de volgende website:

<http://www.lenovo.com/register>

Als u uw computer registreert, kunt u profiteren van de volgende voordelen:

- U krijgt sneller service als u belt voor hulp
- U wordt op de hoogte gehouden van het uitkomen van gratis software en speciale aanbiedingen

Meer informatie over het registreren van uw computer vindt u in Access Help, het online Help-systeem. Instructies voor het openen van dit online Help-systeem vindt u in "Access Help" op pagina 340.

Hoofdstuk 3. Lenovo Verklaring van Beperkte Garantie

LSOLW-00 05/2005

Deel 1 - Algemene voorwaarden

Deze Garantieverklaring bestaat uit: Deel 1 - Algemene voorwaarden, en Deel 2 - Landspecifieke voorwaarden. De voorwaarden in Deel 2 kunnen in de plaats treden van of een wijziging vormen op die in Deel 1. De in deze Verklaring van Beperkte Garantie door Lenovo geboden garanties zijn uitsluitend van toepassing op Machines die u koopt voor eigen gebruik en niet om door te verkopen. Een "Machine" is een Lenovo-machine, haar opties, voorzieningen, conversies, upgrades of randapparatuur, of enige combinatie hiervan. De term "Machine" heeft geen betrekking op software, al dan niet vooraf geïnstalleerd. Niets in deze Verklaring van Beperkte Garantie tast enig wettelijke recht van consumenten aan waar contractueel niet van kan worden afgeweken of dat contractueel niet kan worden beperkt.

Wat door deze Garantie wordt gedekt

Lenovo garandeert dat iedere Machine 1) vrij is van gebreken in materiaal en uitvoering, en 2) voldoet aan de officieel door Lenovo gepubliceerde specificaties ("Specificaties") die op aanvraag beschikbaar zijn. De garantieperiode voor de Machine begint op de oorspronkelijke Installatiedatum en wordt gespecificeerd in Deel 3 - Garantie-informatie. De datum op uw factuur of aankoopnota is de installatiedatum, tenzij anders aangegeven door Lenovo of uw wederverkoper. Tenzij door Lenovo anders aangegeven, zijn deze garantiebepalingen uitsluitend van toepassing in het land of de regio waar u de Machine hebt aangeschaft.

HIERNAAST KUNT U NOG ANDERE RECHTEN HEBBEN DIE PER RECHTSGEBIED KUNNEN VERSCHILLEN. IN SOMMIGE RECHTSGEBIEDEN IS HET UITSLUITEN OF BEPERKEN VAN UITDRUKKELIJKE OF STILZWIJGENDE GARANTIES NIET TOEGESTAAN, ZODAT DE VOORGAANDE UITSLUITING OF BEPERKING WELLICHT NIET OP U VAN TOEPASSING IS. IN SOMMIGE STATEN OF RECHTSGEBIEDEN IS HET UITSLUITEN VAN UITDRUKKELIJKE OF STILZWIJGENDE GARANTIES NIET TOEGESTAAN, ZODAT DE VOORGAANDE UITSLUITING WELLICHT NIET OP U VAN TOEPASSING IS. IN DAT GEVAL ZIJN DERGELIJKE GARANTIES IN DUUR BEPERKT TOT DE GARANTIEPERIODE. NA DIE PERIODE VERVALT ELK RECHT OP GARANTIE. IN SOMMIGE STATEN OF JURISDICTIES IS HET BEPERKEN VAN DE DUUR VAN STILZWIJGENDE GARANTIES NIET TOEGESTAAN, ZODAT DE VOORGAANDE BEPERKING WELLICHT NIET OP U VAN TOEPASSING IS.

Wat door deze Garantie niet wordt gedekt

Het volgende wordt door deze garantie niet gedekt:

- softwareprogramma's, hetzij vooraf geïnstalleerd, hetzij bij de Machine geleverd, of later geïnstalleerd;
- storingen die voortvloeien uit misbruik, ongelukken, modificaties, ongeschikte fysieke omgeving of gebruiksomgeving, of onjuist onderhoud door u;
- storingen die zijn veroorzaakt door een product waarvoor Lenovo niet verantwoordelijk is; en
- niet-Lenovo producten, met inbegrip van die producten die Lenovo op uw verzoek verstrekt bij, of inbouwt in, een Lenovo Machine.

De garantie vervalt wanneer de identificatielabels van de Machine of van onderdelen ervan worden verwijderd of gewijzigd.

Lenovo garandeert niet dat de Machine zonder onderbreking of geheel foutloos zal functioneren.

Iedere technische of andere ondersteuning die wordt verstrekt voor een Machine onder garantie, zoals assistentie bij "how-to"-vragen en vragen met betrekking tot de "set-up" en installatie van de Machine, wordt geleverd **ZONDER ENIGE GARANTIE**.

Hoe u garantieservice aanvraagt

Garantieservice kan worden verleend door Lenovo, IBM[®], uw wederverkoper indien deze toestemming heeft voor het verlenen van garantieservice, of een geautoriseerde garantieserviceverlener. Deze worden aangeduid met de term "Serviceverlener."

Indien de Machine gedurende de garantieperiode niet functioneert zoals gegarandeerd, neemt u contact op met een serviceverlener. Indien u uw Machine niet bij Lenovo registreert, kan u worden gevraagd uw aankoopbewijs te tonen om te bewijzen dat u recht hebt op garantieservice.

Wat Lenovo doet om de problemen op te lossen

Wanneer u contact opneemt met een Serviceverlener om service aan te vragen, dient u de procedures voor probleembepaling en -oplossing die wij opgeven, te volgen. Een eerste diagnose van het probleem kan worden gesteld ofwel telefonisch door een technicus ofwel elektronisch via een ondersteuningswebsite.

Het type garantieservice dat op uw Machine van toepassing is, is aangegeven in Deel 3 - Garantie-informatie.

U bent verantwoordelijk voor het downloaden van aangegeven software-updates vanaf een ondersteuningswebsite of vanaf enig ander elektronisch medium, alsmede voor het navolgen van alle instructies die uw Serviceverlener

verstrekt. Tot de software-updates kunnen behoren basic input/output systeemcode ("BIOS"), hulpprogramma's, stuurprogramma's en andere software updates.

Indien uw probleem kan worden opgelost middels een Customer Replaceable Unit ("CRU", door de gebruiker te vervangen eenheid, bijvoorbeeld toetsenbord, muis, luidspreker, geheugen of vaste-schijfstation), verzendt uw Serviceverlener deze CRU naar u zodat u die kunt installeren.

Indien de Machine gedurende de garantieperiode niet functioneert zoals gegarandeerd en uw probleem niet kan worden opgelost via de telefoon of langs elektronische weg, via het door u aanbrengen van updates aan de software, of met behulp van een CRU, zal uw Serviceverlener naar eigen inzicht hetzij 1) de Machine repareren om deze weer te laten functioneren zoals gegarandeerd, hetzij 2) de Machine vervangen door een ten minste gelijkwaardig exemplaar. Mocht uw Serviceverlener tot geen van beide in staat zijn, dan kunt u uw Machine terugbrengen naar de plaats van aanschaf en wordt het door u betaalde bedrag terugbetaald.

Als onderdeel van de garantieservice kan uw Serviceverlener bepaalde ontwerpwijzigingen installeren die van toepassing zijn op de Machine.

Vervanging van een Machine of een onderdeel

Wanneer de garantieservice het vervangen van een Machine of een onderdeel daarvan met zich meebrengt, wordt het door de Serviceverlener vervangen onderdeel eigendom van Lenovo, en het vervangende onderdeel wordt uw eigendom. U verklaart dat alle verwijderde onderdelen in originele en ongewijzigde staat verkeren. Het vervangende onderdeel is mogelijk niet nieuw, maar verkeert in goed werkende staat en is functioneel ten minste gelijkwaardig aan het vervangen onderdeel. Wat betreft verdere garantieservice krijgt de vervangende zaak de status van de vervangen zaak.

Uw aanvullende verantwoordelijkheden

Voordat uw Serviceverlener tot vervanging van een Machine of een onderdeel daarvan overgaat, dient u alle voorzieningen, onderdelen, opties, wijzigingen en aansluitingen die niet onder de garantieservice vallen te verwijderen.

Tevens verklaart u:

1. ervoor te zorgen dat de Machine vrij is van verplichtingen of beperkingen die haar vervanging in de weg staan;
2. wanneer de Machine niet uw eigendom is, ervoor te zorgen dat de eigenaar de Serviceverlener machtigt om service te verlenen voor de Machine;
3. indien van toepassing, en voordat de service wordt verleend:
 - a. de door uw Serviceverlener vastgestelde procedures voor het indienen van een verzoek om serviceverlening te volgen;

- b. te zorgen voor een backup of veilige opslag van alle programma's, gegevens, geld en waardepapieren die zich in de Machine bevinden;
 - c. voldoende, vrije en veilige toegang te verlenen om Lenovo in staat te stellen aan zijn verplichtingen te kunnen voldoen.
4. (a) ervoor zorg te dragen dat alle informatie over geïdentificeerde of identificeerbare personen (Persoonlijke Gegevens) van de Machine is gewist (voor zover technisch mogelijk), (b) het de Serviceverlener of een toeleverancier toe te staan om namens u alle resterende Persoonlijke Gegevens te verwerken zoals uw Serviceverlener noodzakelijk acht ter nakoming van haar verplichtingen onder deze Verklaring van Beperkte Garantie (hetgeen kan inhouden dat de Machine voor dergelijke verwerking naar een andere servicelocatie waar ook ter wereld wordt verzonden), en (c) ervoor zorg te dragen dat dergelijke verwerking niet in strijd is met de voor dergelijke Persoonlijke Gegevens geldende wet- en regelgeving.

Beperking van aansprakelijkheid

Lenovo is uitsluitend verantwoordelijk voor het verlies van, of beschadiging aan, uw Machine 1) wanneer zij in het bezit is van uw Serviceverlener, of 2) tijdens het vervoer in die gevallen waarin de vervoerskosten voor rekening van Lenovo zijn.

Lenovo noch uw Serviceverlener is verantwoordelijk voor uw vertrouwelijke, door eigendomsrechten beschermde of persoonlijke informatie die zich in een Machine bevindt die u om wat voor reden dan ook terugzendt. Al dit soort informatie dient u van uw Machine te hebben verwijderd voordat u haar terugzendt.

Er kunnen zich omstandigheden voordoen, waarin u gerechtigd bent uw schade op Lenovo te verhalen. In een dergelijk geval is Lenovo, ongeacht de grond waarop uw vordering is gebaseerd, uitsluitend aansprakelijk voor:

1. schade aan zaken of wegens lichamelijk letsel (met inbegrip van overlijden) waarvoor Lenovo wettelijk aansprakelijk is; en
2. het bedrag van enige aantoonbare, werkelijk geleden schade, beperkt tot de prijs van de Machine waarop de vordering betrekking heeft.

De beperking is ook van toepassing op de toeleveranciers van Lenovo, wederverkopers en uw Serviceverlener. Het is het maximumbedrag waarvoor Lenovo, haar toeleveranciers, wederverkopers en uw Serviceverlener gezamenlijk aansprakelijk zijn.

IN GEEN GEVAL ZIJN LENOVO, HAAR TOELEVERANCIERS, WEDERVERKOPERS OF SERVICEVERLENER AANSPRAKELIJK VOOR HET VOLGENDE, OOK NIET INDIEN ZIJ VAN DE MOGELIJKHEID HIERVAN OP DE HOOGTE ZIJN GEBRACHT: 1) VORDERINGEN DOOR DERDEN TEGEN U INGESTELD (MET UITZONDERING VAN DE HIERBOVEN ONDER SUB 1 GENOEMDE VORDERINGEN); 2) VERLIES OF BESCHA-

DIGING VAN GEGEVENS; 3) BIJZONDERE, INCIDENTELE OF INDIRECTE SCHADE, OF VOOR ENIGE GEVOLGSCHADE; of 4) GEDERFDE WINSTEN, BEDRIJFSINKOMSTEN, GOODWILL OF verwachte BESPARINGEN. IN SOMMIGE STATEN OF JURISDICTIES IS HET UITSLUITEN OF BEPERKEN VAN INCIDENTELE OF GEVOLGSCHADE NIET TOEGESTAAN, ZODAT DEZE UITSLUITING OF BEPERKING MOGELIJK NIET OP U VAN TOEPASSING IS.

Toepasselijk recht

Partijen komen overeen dat het recht van het land waarin u de Machine hebt aangeschaft van toepassing is op de interpretatie en handhaving van alle rechten, plichten en verplichtingen van u en Lenovo die voortvloeien uit of op enigerlei wijze verband houden met de inhoud van deze Verklaring van Beperkte Garantie, ongeacht beginselen van conflicterend recht.

DEZE GARANTIES GEVEN U SPECIFIEKE WETTELIJKE RECHTEN. HIERNAAST KUNT U NOG ANDERE RECHTEN HEBBEN DIE PER RECHTSGEBIED OF PER STAAT KUNNEN VERSCHILLEN.

Rechtsgebied

Op al uw rechten, plichten en verplichtingen is de rechtspraak van toepassing van het land waarin u de Machine hebt aangeschaft.

Deel 2 - Landspecifieke voorwaarden

NOORD-, MIDDEN- EN ZUID-AMERIKA

ARGENTINIË

Jurisdictie: *Het volgende is toegevoegd na de eerste zin:*

Elke uit deze Verklaring van Beperkte Garantie voortvloeiende procedure wordt uitsluitend behandeld door het Ordinary Commercial Court van de stad Buenos Aires.

BOLIVIA

Jurisdictie: *Het volgende is toegevoegd na de eerste zin:*

Elke uit deze Verklaring van Beperkte Garantie voortvloeiende procesvoering wordt uitsluitend behandeld door de rechtbanken van de stad La Paz.

BRAZILIË

Jurisdictie: *Het volgende is toegevoegd na de eerste zin:*

Elke uit deze Verklaring van Beperkte Garantie voortvloeiende procesvoering wordt uitsluitend behandeld door de rechtbank van Rio de Janeiro, RJ.

CHILI

Jurisdictie: *Het volgende is toegevoegd na de eerste zin:*

Elke uit deze Verklaring van Beperkte Garantie voortvloeiende procedure wordt uitsluitend behandeld door het civiele gerechtshof van de stad Santiago.

COLOMBIA

Jurisdictie: *Het volgende is toegevoegd na de eerste zin:*

Elke uit deze Verklaring van Beperkte Garantie voortvloeiende procedure wordt uitsluitend behandeld door de rechters van de republiek Colombia.

ECUADOR

Jurisdictie: *Het volgende is toegevoegd na de eerste zin:*

Elke uit deze Verklaring van Beperkte Garantie voortvloeiende procedure wordt uitsluitend behandeld door de rechters van Quito.

MEXICO

Jurisdictie: *Het volgende is toegevoegd na de eerste zin:*

Elke uit deze Verklaring van Beperkte Garantie voortvloeiende procedure wordt uitsluitend behandeld door het federaal gerechtshof van Mexico Stad, Federaal District.

PARAGUAY

Jurisdictie: *Het volgende is toegevoegd na de eerste zin:*

Elke uit deze Verklaring van Beperkte Garantie voortvloeiende procedure wordt uitsluitend behandeld door de rechtbank van de stad Asunción.

PERU

Jurisdictie: *Het volgende is toegevoegd na de eerste zin:*

Elke uit deze Verklaring van Beperkte Garantie voortvloeiende procedure wordt uitsluitend behandeld door de rechters en tribunalen van de gerechtelijk district Lima, Cercado.

Beperking van aansprakelijkheid: *Het volgende is aan het eind van dit gedeelte toegevoegd:*

Overeenkomstig Artikel 1328 van het Peruviaans Burgerlijk Wetboek zijn de in dit gedeelte genoemde beperkingen en uitsluitingen niet van toepassing op schade die is veroorzaakt door moedwillig wangedrag ("dolo") of grove nalatigheid ("culpa inexcusable") van Lenovo.

URUGUAY

Jurisdictie: *Het volgende is toegevoegd na de eerste zin:*

Elke uit deze Verklaring van Beperkte Garantie voortvloeiende procesvoering wordt uitsluitend behandeld volgens de rechtspraak van de rechtbank van de stad Montevideo.

VENEZUELA

Jurisdictie: *Het volgende is toegevoegd na de eerste zin:*

Elke uit deze Verklaring van Beperkte Garantie voortvloeiende procedure wordt uitsluitend behandeld door de rechtbanken van het grootstedelijk gebied van de stad Caracas.

NOORD-AMERIKA

Hoe u garantieservice aanvraagt: *Het volgende is aan dit gedeelte toegevoegd:*
Voor het verkrijgen van garantieservice van IBM in Canada of de Verenigde Staten belt u 1-800-426-7378.

CANADA

Beperking van aansprakelijkheid: *Het volgende treedt in de plaats van item 1 van dit gedeelte:*

1. lichamenlijk letsel (met inbegrip van overlijden) of schade aan roerende en onroerende zaken die is veroorzaakt door nalatigheid van Lenovo;

Toepasselijk recht: *Het volgende treedt in de plaats van de zinsnede "recht van het land waarin u de Machine hebt aangeschaft" in de eerste zin:*
recht in de provincie Ontario.

VERENIGDE STATEN

Toepasselijk recht: *Het volgende treedt in de plaats van de zinsnede "recht van het land waarin u de Machine hebt aangeschaft" in de eerste zin:*
recht van de staat New York.

OOST-AZIË EN OCEANIË

AUSTRALIË

Wat door deze Garantie wordt gedekt: *De volgende alinea is aan dit gedeelte toegevoegd:*

De garanties die in dit gedeelte worden genoemd, vormen een aanvulling op de rechten die u zou kunnen hebben op basis van de Trade Practices Act 1974 of andere, vergelijkbare wetgeving, en worden alleen beperkt door de van toepassing zijnde wetgeving.

Beperking van aansprakelijkheid: *Het volgende is aan dit gedeelte toegevoegd:*
Indien Lenovo een voorwaarde of garantie niet nakomt die wordt geïmpliceerd door de Trade Practices Act 1974 of andere, vergelijkbare wetgeving, is de aansprakelijkheid van Lenovo beperkt tot reparatie of vervanging van de zaken of levering van gelijkwaardige zaken. Waar die voorwaarde of garantie betrekking heeft op het recht op verkoop, stille eigendom of "clear title", of de zaken van een soort zijn dat gewoonlijk wordt aangeschaft voor persoonlijk, huishoudelijk of thuisgebruik, of consumptief gebruik, is geen van de beperkingen in deze paragraaf van toepassing.

Toepasselijk recht: *Het volgende treedt in de plaats van de zinsnede* "recht van het land waarin u de Machine hebt aangeschaft" *in de eerste zin:*
recht van de staat of het territorium.

CAMBODJA EN LAOS

Toepasselijk recht: *Het volgende treedt in de plaats van de zinsnede* "recht van het land waarin u de Machine hebt aangeschaft" *in de eerste zin:*
recht van de staat New York, Verenigde Staten van Amerika.

CAMBODJA, INDONESIA EN LAOS

Arbitrage: *Het volgende wordt onder dit kopje toegevoegd:*

Geschillen die voortvloeien uit of verband houden met deze Verklaring van Beperkte Garantie worden in hoogste instantie afgedaan door arbitrage die plaatsvindt in Singapore op grond van de op dat moment geldende regels van het Arbitration Rules of Singapore International Arbitration Center (de "SIAC Rules"). Het arbitrageoordeel is definitief en voor alle partijen bindend zonder mogelijkheid van hoger beroep, is schriftelijk en vermeldt de vastgestelde feiten en de juridische conclusies.

Het aantal arbiters is drie, waarbij elk der partijen in het geding het recht heeft één arbiter te benoemen. De twee door de partijen benoemde arbiters benoemen een derde arbiter die in de behandeling zal optreden als voorzitter. Vacatures voor de post van voorzitter worden vervuld door de president van het SIAC. Andere vacatures worden vervuld door de respectievelijke nominerende partij. De behandeling wordt hervat vanaf het stadium waarin de vacature optrad.

Indien een der partijen weigert of er anderszins niet in slaagt een arbiter te benoemen binnen 30 dagen nadat de andere partij haar arbiter heeft benoemd, is de eerst benoemde arbiter de enige arbiter, mits die arbiter op een geldige en deugdelijke wijze benoemd is.

De volledige behandeling, met inbegrip van alle documenten die daarin worden overlegd, vindt plaats in de Engelse taal. De Engelstalige versie van deze Verklaring van Beperkte Garantie prevaleert boven enige versie in een andere taal.

HONGKONG S.A.R. VAN CHINA EN MACAO S.A.R. VAN CHINA

Toepasselijk recht: *Het volgende treedt in de plaats van de zinsnede* "recht van het land waarin u de Machine hebt aangeschaft" *in de eerste zin:*
recht van Hongkong, Speciale Administratieve Regio van China.

INDIA

Beperking van aansprakelijkheid: *Het volgende treedt in de plaats van de items 1 en 2 van dit gedeelte:*

1. aansprakelijkheid voor lichamelijk letsel (met inbegrip van overlijden) of schade aan roerende en onroerende zaken is beperkt tot datgene wat is veroorzaakt door nalatigheid van Lenovo; en
2. voor elke andere werkelijke schade die voortvloeit uit enige niet-nakoming door Lenovo met betrekking tot, of op enige wijze samenhangend met, de inhoud van deze Garantieverklaring, het bedrag dat u hebt betaald voor de individuele Machine waarop de vordering betrekking heeft.

Arbitrage: *Het volgende wordt onder dit kopje toegevoegd:*

Geschillen die voortvloeien uit of verband houden met deze Verklaring van Beperkte Garantie worden in hoogste instantie afgedaan door arbitrage die plaatsvindt in Bangalore, India, op grond van de op dat moment geldende wetten van India. Het arbitrageoordeel is definitief en voor alle partijen bindend zonder mogelijkheid van hoger beroep, is schriftelijk en vermeldt de vastgestelde feiten en de juridische conclusies.

Het aantal arbiters is drie, waarbij elk der partijen in het geding het recht heeft één arbiter te benoemen. De twee door de partijen benoemde arbiters benoemen een derde arbiter die in de behandeling zal optreden als voorzitter. Vacatures voor de post van voorzitter worden vervuld door de president van de Bar Council van India. Andere vacatures worden vervuld door de respectievelijke nominerende partij. De behandeling wordt hervat vanaf het stadium waarin de vacature optrad.

Indien een der partijen weigert of er anderszins niet in slaagt een arbiter te benoemen binnen 30 dagen nadat de andere partij haar arbiter heeft benoemd, is de eerst benoemde arbiter de enige arbiter, mits die arbiter op een geldige en deugdelijke wijze benoemd is.

De volledige behandeling, met inbegrip van alle documenten die daarin worden overlegd, vindt plaats in de Engelse taal. De Engelstalige versie van deze Verklaring van Beperkte Garantie prevaleert boven enige versie in een andere taal.

JAPAN

Toepasselijk recht: *De volgende zin is aan dit gedeelte toegevoegd:*

Alle geschillen met betrekking tot deze Garantieverklaring zullen in eerste instantie onderling worden opgelost, op basis van wederzijds vertrouwen.

MALEISIË

Beperking van aansprakelijkheid: Het woord "**BIJZONDERE**" in Sub 3 van de vijfde alinea vervalt.

NIEUW-ZEELAND

Wat door deze Garantie wordt gedekt: *De volgende alinea is aan dit gedeelte toegevoegd:*

De garanties die in dit gedeelte worden genoemd, vormen een aanvulling op

de rechten die u zou kunnen hebben op basis van de Consumer Guarantees Act 1993 of andere wetgeving die niet kan worden uitgesloten of beperkt. De Consumer Guarantees Act 1993 is niet van toepassing op zaken die Lenovo aan u levert ten behoeve van de uitoefening van een onderneming zoals gedefinieerd in die Act.

Beperking van aansprakelijkheid: *Het volgende is aan dit gedeelte toegevoegd:* Indien een Machine niet is verkregen ten behoeve van de uitoefening van een onderneming zoals gedefinieerd in de Consumer Guarantees Act 1993, zijn de beperkingen in dit gedeelte onderworpen aan de beperkingen in die Act.

VOLKSREPUBLIC CHINA

Toepasselijk recht: *Het volgende treedt in de plaats van de zinsnede recht van het land waarin u de Machine hebt aangeschaft in de eerste zin:* recht van de staat New York, Verenigde Staten van Amerika (tenzij anders bindend voorgeschreven door het plaatselijk recht)

FILIPPIJNEN

Beperking van aansprakelijkheid: *De volgende tekst treedt in de plaats van item 3 van de vijfde alinea:*

BIJZONDERE (MET INBEGRIJF VAN NOMINALE SCHADEVERGOEDING EN BOETES), MORELE, INCIDENTELE, OF INDIRECTE SCHADE VOOR ENIGE ECONOMISCHE GEVOLGSCHADE; OF

Arbitrage: Het volgende wordt onder dit kopje toegevoegd: Geschillen die voortvloeien uit of verband houden met deze Verklaring van Beperkte Garantie worden in hoogste instantie afgedaan door arbitrage die plaatsvindt in Metro Manilla, Filippijnen, op grond van de op dat moment geldende wetten van de Filippijnen. Het arbitrageoordeel is definitief en voor alle partijen bindend zonder mogelijkheid van hoger beroep, is schriftelijk en vermeldt de vastgestelde feiten en de juridische conclusies.

Het aantal arbiters is drie, waarbij elk der partijen in het geding het recht heeft één arbiter te benoemen. De twee door de partijen benoemde arbiters benoemen een derde arbiter die in de behandeling zal optreden als voorzitter. Vacatures voor de post van voorzitter worden vervuld door de president van het Philippine Dispute Resolution Center, Inc. Andere vacatures worden vervuld door de respectievelijke nominerende partij. De behandeling wordt hervat vanaf het stadium waarin de vacature optrad.

Indien een der partijen weigert of er anderszins niet in slaagt een arbiter te benoemen binnen 30 dagen nadat de andere partij haar arbiter heeft benoemd, is de eerst benoemde arbiter de enige arbiter, mits die arbiter op een geldige en deugdelijke wijze benoemd is.

De volledige behandeling, met inbegrip van alle documenten die daarin worden overlegd, vindt plaats in de Engelse taal. De Engelstalige versie van deze Verklaring van Bepaalde Garantie prevaleert boven enige versie in een andere taal.

SINGAPORE

Bepending van aansprakelijkheid: *De woorden "BIJZONDERE" en "ECONOMISCHE" onder Sub 3 van de vijfde alinea vervallen.*

EUROPA, MIDDEN-OOSTEN, AFRIKA (EMEA)

DE VOLGENDE BEPALINGEN GELDEN VOOR ALLE EMEA-LANDEN:

Deze Garantieverklaring is van toepassing op Machines die van Lenovo of van een Lenovo-wederverkoper zijn gekocht.

Hoe u garantieservice aanvraagt:

De volgende alinea moet worden ingevoegd in West-Europa (Andorra, België, Cyprus, Denemarken, Duitsland, Estland, Finland, Frankrijk, Griekenland, Hongarije, IJsland, Ierland, Italië, Letland, Liechtenstein, Litouwen, Luxemburg, Malta, Monaco, Nederland, Noorwegen, Oostenrijk, Polen, Portugal, San Marino, Slowakije, Slovenië, Spanje, Tsjechië, Vaticaanstad, Verenigd Koninkrijk, Zweden, Zwitserland, en alle landen die nadien toetreden tot de Europese Unie, vanaf de datum van toetreding):

De garantie voor Machines die in West-Europa zijn aangeschaft, is geldig en toepasselijk in alle landen van West-Europa, op voorwaarde dat de Machines in die landen zijn geannonceerd en beschikbaar zijn gesteld.

Indien u een Machine aanschaft in een van de West-Europese landen die hierboven zijn gedefinieerd, dan kunt u in elk willekeurig land uit deze groep garantieservice krijgen van een Serviceverlener, op voorwaarde dat de Machine door Lenovo is geannonceerd en beschikbaar is gesteld in het land waarin u service wenst te ontvangen.

Indien u een Personal Computer Machine hebt aangeschaft in Albanië, Armenië, Bosnië-Herzegovina, Bulgarije, Federale Republiek Joegoslavië, Georgië, Hongarije, Kazakstan, Kirgizië, Kroatië, de Voormalige Joegoslavische Republiek Macedonië (Former Yugoslav Republic of Macedonia, "FYROM"), Moldavië, Oekraïne, Polen, Roemenië, Rusland, Servië-Montenegro, Slovenië, Slowakije, Tsjechië of Wit-Rusland, dan kunt u in elk willekeurig land uit deze groep garantieservice krijgen van een Serviceverlener, op voorwaarde dat de Machine door Lenovo is geannonceerd en beschikbaar is gesteld in het land waarin u service wenst te ontvangen.

Indien u een Machine aanschaft in een land in het Midden-Oosten of Afrika, dan kunt u garantieservice krijgen van een Serviceverlener in het land van aanschaf, op voorwaarde dat de Machine door Lenovo is geannonceerd en

beschikbaar is gesteld in dat land. In Afrika is garantieservice beschikbaar binnen een straal van 50 kilometer van een Serviceverlener. U bent verantwoordelijk voor de transportkosten voor Machines die zich buiten een straal van 50 kilometer van de Serviceverlener bevinden.

Toepasselijk recht:

De zinsnede "recht van het land waarin u de machine hebt aangeschaft" wordt vervangen door:

1) "het Oostenrijks recht" in **Albanië, Armenië, Azerbeidzjan, Bosnië-Herzegovina, Bulgarije, Georgië, Hongarije, Kazakstan, Kirgizië, Kroatië, VJR Macedonië, Moldavië, Oekraïne, Oezbekistan, Polen, Roemenië, Rusland, Slowakije, Slovenië, Tadzjikistan, Turkmenistan, Wit-Rusland, en FR Joegoslavië**; 2) "het Frans recht" in **Algerije, Benin, Burkina Faso, Centraal-Afrikaanse Republiek, Comoren, Republiek Kongo, Djibouti, Democratische Republiek Kongo, Equatoriaal-Guinea, Frans-Guyana, Frans Polynesië, Gabon, Gambia, Guinea, Guinee-Bissau, Ivoorkust, Kameroen, Kaapverdië, Libanon, Madagaskar, Mali, Mauritanie, Mauritius, Mayotte, Marokko, Nieuw-Caledonië, Niger, Réunion, Senegal, Seychellen, Togo, Tsjaad, Tunesië, Vanuatu en Wallis & Futuna**; 3) "het Fins recht" in **Estland, Letland en Litouwen**; 4) "het Engels recht" in **Angola, Bahrein, Botswana, Burundi, Egypte, Eritrea, Ethiopië, Ghana, Jemen, Jordanië, Kenia, Koeweit, Liberia, Malawi, Malta, Mozambique, Nigeria, Oman, Pakistan, Katar, Ruanda, Sao Tome, Saoedi-Arabië, Sierra Leone, Somalia, Tanzania, Oeganda, Verenigde Arabische Emiraten, het Verenigd Koninkrijk West Bank/Gaza, Jemen, Zambia en Zimbabwe**; en 5) "het Zuid-Afrikaans recht" in **Zuid-Afrika, Namibië, Lesotho en Swaziland**.

Jurisdictie: De volgende uitzonderingen worden aan dit gedeelte toegevoegd:

1) **In Oostenrijk** het recht dat van toepassing is voor alle geschillen die voortvloeien uit deze Verklaring van Beperkte Garantie en daarop betrekking hebben, inclusief het bestaan ervan, is dat van het bevoegde hof in Wenen, Oostenrijk (binnenstad); 2) in **Angola, Bahrein, Botswana, Burundi, Egypte, Eritrea, Ethiopië, Ghana, Jordanië, Kenia, Koeweit, Liberia, Malawi, Malta, Mozambique, Nigeria, Oman, Pakistan, Katar, Ruanda, Sao Tome, Saudi-Arabië, Sierra Leone, Somalië, Tanzania, Oeganda, Verenigde Arabische Emiraten, Westelijke Jordaan-oever/Gaza, Jemen, Zambia en Zimbabwe** vallen alle geschillen die voortvloeien uit deze Verklaring van Beperkte Garantie of met betrekking tot de uitvoering ervan, met inbegrip van kort gedingen, onder de uitsluitende jurisdictie van het Engelse recht; 3) in **België en Luxemburg**: voor alle geschillen die voortvloeien uit deze Verklaring van Beperkte Garantie, of met betrekking tot de interpretatie of uitvoering ervan, is/zijn alleen het recht en de rechtbanken bevoegd van de hoofdstad van het land waar uw kantoor of bedrijfslocatie is gevestigd; 4) in **Frankrijk, Algerije, Benin, Burkina Faso, Kameroen, Kaapverdië, Centraal-Afrikaanse Republiek, Tsjaad, Comoren, Republiek Kongo, Djibouti, Democratische Republiek Kongo, Equatoriaal Guinea, Frans-Guyana, Frans-Polynesië, Gabon, Gambia, Guinea, Guinee-Bissau, Ivoorkust, Kameroen, Kaapverdië, Libanon, Madagaskar, Mali,**

Marokko, Mauritani%, Mauritius, Mayotte, Nieuw-Caledoni%, Niger, R'union, Senegal, Seychellen, Togo, Tsjaad, Tunesi%, Vanuatu en Wallis & Futuna worden alle uit deze Verklaring van Beperkte Garantie voortvloeiende of met de schending of uitvoering ervan verband houdende geschillen, met inbegrip van verkorte procesgang, uitsluitend afgedaan door het Handelshof van Parijs; 5) in **Rusland** worden alle geschillen die voortvloeien uit of verband houden met de interpretatie, de schending, de be%indiging, de nietigheid of de uitvoering van deze Verklaring van Beperkte Garantie afgedaan door het Hof van Arbitrage van Moskou; 6) in **Zuid-Afrika, Namibi%, Lesotho en Swaziland** komen partijen overeen dat alle met deze Verklaring van Beperkte Garantie verband houdende geschillen worden onderworpen aan de jurisdictie van het Hoogerechtshof in Johannesburg; 7) in **Turkije** worden alle geschillen die voortvloeien uit of verband houden met deze Verklaring van Beperkte Garantie afgedaan door het Centraal (Sultanahmet) Gerechtshof van Istanboel en de Uitvoeringsdirectoraten van Istanboel, Turkije; 8) in elk van de volgende aangegeven landen wordt elke wettelijke vordering die voortvloeit uit deze Verklaring van Beperkte Garantie voorgelegd aan en exclusief afgedaan door de bevoegde rechtbank van a) Athene voor **Griekenland**, b) Tel Aviv-Jaffa voor **Isra%l**, c) Milaan voor **Itali%**, d) Lissabon voor **Portugal**, en e) Madrid voor **Spanje**; en 9) in het **Verenigd Koninkrijk** komen partijen overeen dat alle met deze Verklaring van Beperkte Garantie verband houdende geschillen worden onderworpen aan de jurisdictie van de Engelse rechtbanken.

Arbitrage: Het volgende wordt onder dit kopje toegevoegd:

In Albanië, Armenië, Azerbeidzjan, Bosnië-Herzegovina, Bulgarije, Georgië, Hongarije, Kazakstan, Kirgizië, Kroatië, de Voormalige Joegoslavische Republiek Macedonië (FYROM), Moldavië, Oekraïne, Oezbekistan, Polen, Roemenië, Rusland, Slovenië, Slowakije, Tadzjikistan, Turkmenistan, Tsjechië en Wit-Rusland en de Federale Republiek Joegoslavië worden alle geschillen die voortvloeien uit deze Verklaring van Beperkte Garantie of in verband staan met de niet-nakoming, beëindiging of ongeldigheid ervan, in laatste instantie afgedaan onder de Regels voor Arbitrage en Bemiddeling van het Internationale Arbitragecentrum van de Federale Handelskamer in Wenen (Weense Regels), door een drietal arbiters die conform deze regels zijn aangesteld. De arbitrage vindt plaats in Wenen (Oostenrijk) en de officiële taal van de behandeling is Engels. De beslissing van de arbiters is definitief en voor beide partijen bindend. Derhalve doen beide partijen, met het oog op artikel 598 (2) van het Oostenrijks Wetboek van Burgerlijke Rechtsvordering, uitdrukkelijk afstand van de toepassing van artikel 595 (1) cijfer 7 van het Wetboek. Lenovo kan echter stappen ondernemen bij een bevoegde rechtbank in het land van installatie.

In Estland, Letland en Litouwen worden alle geschillen die voortvloeien uit deze Verklaring van Beperkte Garantie in laatste instantie afgedaan in een arbitragezaak die wordt gehouden in Helsinki, Finland, in overeenstemming met de dan geldende Finse wetgeving inzake arbitrage. Elk der partijen benoemt één arbiter. De arbiters benoemen gezamenlijk een voorzitter. Indien

de arbiters geen overeenstemming kunnen bereiken over de voorzitter, wordt de voorzitter benoemd door de Centrale Kamer van Koophandel in Helsinki.

EUROPESE UNIE (EU)

DE VOLGENDE BEPALINGEN GELDEN VOOR ALLE EU-LANDEN:

De garantie voor Machines die in EU-landen zijn aangeschaft, is geldig en toepasselijk in alle EU-landen, op voorwaarde dat de Machines in die landen zijn aangekondigd en beschikbaar zijn gesteld.

Hoe u garantieservice aanvraagt: *Het volgende is aan dit gedeelte toegevoegd:* Om in een van de EU-landen garantieservice van IBM aan te vragen, raadpleegt u de telefoonlijst in Deel 3 - Garantie-informatie.

U kunt contact met de serviceafdeling van IBM opnemen op het volgende adres:

IBM Warranty &Service Quality Dept.
PO Box 30
Spango Valley
Greenock
Scotland PA16 0AH

CONSUMENTEN

Krachtens de toepasselijke nationale wetgeving inzake de verkoop van consumentengoederen hebben consumenten bepaalde rechten. Dergelijke rechten worden niet aangetast door de garanties die onder deze Verklaring van Beperkte Garantie worden verleend.

DENEMARKEN, FINLAND, GRIEKENLAND, ITALIË, NEDERLAND, NOORWEGEN, OOSTENRIJK, PORTUGAL, SPANJE, ZWEDEN en ZWITSERLAND

Beperking van aansprakelijkheid: *Het volgende treedt in de plaats van alle voorwaarden van dit gedeelte:*

Tenzij anders voorgeschreven door dwingend recht geldt het volgende:

1. Lenovo's aansprakelijkheid voor schade en verliezen die voortvloeien uit de nakoming van Lenovo's verplichtingen onder of in samenhang met deze Verklaring van Beperkte Garantie of die het gevolg zijn van enige andere oorzaak die samenhangt met deze Verklaring van Beperkte Garantie is beperkt tot vergoeding van slechts die schade of verliezen waarvan bewezen is dat ze feitelijk een onmiddellijk en rechtstreeks gevolg zijn van de niet-nakoming van dergelijke verplichtingen (indien Lenovo in gebreke is) of van die oorzaak, voor een maximumbedrag dat gelijk is aan het bedrag dat u voor de Machine hebt betaald.

Deze beperking geldt niet voor lichamelijk letsel (met inbegrip van overlijden), noch voor schade aan roerende en onroerende zaken waarvoor Lenovo rechtens aansprakelijk is.

2. IN GEEN GEVAL ZIJN LENOVO, HAAR TOELEVERANCIERS, WEDERVERKOPERS OF SERVICEVERLENERS AANSPRAKELIJK VOOR HET VOLGENDE, ZELFS NIET INDIEN ZIJ VAN DE MOGELIJKHEID HIERVAN OP DE HOOGTE ZIJN GESTELD: 1) VERLIES VAN, OF SCHADE AAN, GEGEVENS; 2) INCIDENTELE OF INDIRECT SCHADE, OF ENIGE ECONOMISCHE GEVOLGSCHADE; 3) GEDERFDE WINST, ZELFS NIET INDIEN DEZE WINSTDERVING EEN DIRECT GEVOLG IS VAN DE GEBEURTENIS DIE DE SCHADE HEEFT VEROORZAAKT; OF 4) VERLIES VAN KLANTEN, INKOMSTEN, GOODWILL, OF VERWACHTE BESPARINGEN.

FRANKRIJK EN BELGIË

Beperking van aansprakelijkheid: *Het volgende treedt in de plaats van alle voorwaarden van dit gedeelte:*

Tenzij anders voorgeschreven door dwingend recht geldt het volgende:

1. Lenovo's aansprakelijkheid voor schade en verliezen die voortvloeien uit de nakoming van haar verplichtingen onder of in samenhang met deze Verklaring van Beperkte Garantie is beperkt tot vergoeding van slechts die schade of verliezen waarvan bewezen is dat ze feitelijk een onmiddellijk en rechtstreeks gevolg zijn van de niet-nakoming van dergelijke verplichtingen (indien Lenovo in gebreke is), voor een maximumbedrag dat gelijk is aan het bedrag dat u hebt betaald voor de Machine die de schade heeft veroorzaakt.

Deze beperking geldt niet voor lichamelijk letsel (met inbegrip van overlijden), noch voor schade aan roerende en onroerende zaken waarvoor Lenovo rechtens aansprakelijk is.

2. IN GEEN GEVAL ZIJN LENOVO, HAAR TOELEVERANCIERS, WEDERVERKOPERS OF SERVICEVERLENERS AANSPRAKELIJK VOOR HET VOLGENDE, ZELFS NIET INDIEN ZIJ VAN DE MOGELIJKHEID HIERVAN OP DE HOOGTE ZIJN GESTELD: 1) VERLIES VAN, OF SCHADE AAN, GEGEVENS; 2) INCIDENTELE OF INDIRECT SCHADE, OF ENIGE ECONOMISCHE GEVOLGSCHADE; 3) GEDERFDE WINST, ZELFS NIET INDIEN DEZE WINSTDERVING EEN DIRECT GEVOLG IS VAN DE GEBEURTENIS DIE DE SCHADE HEEFT VEROORZAAKT; OF 4) VERLIES VAN KLANTEN, INKOMSTEN, GOODWILL, OF VERWACHTE BESPARINGEN.

DE VOLGENDE BEPALINGEN GELDEN VOOR HET GENOEMDE LAND:

OOSTENRIJK

De bepalingen van deze Verklaring van Beperkte Garantie komen in de plaats van eventueel van toepassing zijnde wettelijke garanties.

Wat door deze Garantie wordt gedekt: *Het volgende treedt in de plaats van de eerste zin van de eerste alinea van dit gedeelte:*

Onder de garantie voor een Lenovo Machine valt (1) de functionaliteit van de Machine voor haar normale gebruik, en (2) het voldoen van de Machine aan haar Specificaties.

De volgende alinea is aan dit gedeelte toegevoegd:

De beperkte periode waarbinnen de consument een procedure kan starten voor niet-nakoming van de garantie heeft de wettelijke periode als minimum. In geval uw Serviceverlener niet in staat is een Lenovo Machine te repareren, kunt u vragen om een gedeeltelijke restitutie voor zover gerechtvaardigd door de verminderde waarde van de niet gerepareerde Machine, of vragen om annulering van de toepasselijke overeenkomst voor een dergelijke Machine en restitutie van het betaalde bedrag.

De tweede alinea is niet van toepassing.

Wat Lenovo doet om de problemen op te lossen: *Het volgende is aan dit gedeelte toegevoegd:*

Tijdens de garantieperiode betaalt Lenovo u de kosten voor verzending van de defecte Machine naar de serviceafdeling van IBM.

Beperking van aansprakelijkheid: *De volgende alinea is aan dit gedeelte toegevoegd:*

De beperkingen en uitsluitingen in de Verklaring van Beperkte Garantie zijn niet van toepassing op schade die is veroorzaakt door fraude of grove nalatigheid van Lenovo, noch op uitdrukkelijke garantie.

De volgende zin is toegevoegd aan het eind van item 2:

Lenovo's aansprakelijkheid onder dit artikel is beperkt tot inbreuk op essentiële contractuele bepalingen bij normale nalatigheid.

EGYPTE

Beperking van aansprakelijkheid: *Het volgende treedt in de plaats van item 2 van dit gedeelte:*

voor elke andere werkelijke directe schade is de aansprakelijkheid van Lenovo beperkt tot het totaalbedrag dat u hebt betaald voor de Machine waarop de vordering betrekking heeft.

Toepasselijkheid van leveranciers, wederverkopers en Serviceverleners (ongewijzigd).

FRANKRIJK

Beperking van aansprakelijkheid: *Het volgende treedt in de plaats van de tweede zin van de eerste alinea van dit gedeelte:*

In dergelijke gevallen, ongeacht de grond waarop uw vordering is gebaseerd, is Lenovo uitsluitend aansprakelijk voor: (items 1 en 2 ongewijzigd).

DUITSLAND

Wat door deze Garantie wordt gedekt: *Het volgende treedt in de plaats van de eerste zin van de eerste alinea van dit gedeelte:*

Onder de garantie voor een Lenovo Machine valt (1) de functionaliteit van de Machine voor haar normale gebruik, en (2) het voldoen van de Machine aan haar Specificaties.

De volgende alinea is aan dit gedeelte toegevoegd:

De minimum garantieperiode voor Machines is twaalf maanden. In geval uw Serviceverlener niet in staat is een Lenovo Machine te repareren, kunt u vragen om een gedeeltelijke restitutie voor zover gerechtvaardigd door de verminderde waarde van de niet gerepareerde Machine, of vragen om annulering van de toepasselijke overeenkomst voor een dergelijke Machine en restitutie van het betaalde bedrag.

De tweede alinea is niet van toepassing.

Wat Lenovo doet om de problemen op te lossen: *Het volgende is aan dit gedeelte toegevoegd:*

Tijdens de garantieperiode komen de kosten voor verzending van de defecte Machine naar Lenovo of de serviceafdeling van IBM voor rekening van Lenovo.

Beperking van aansprakelijkheid: *De volgende alinea is aan dit gedeelte toegevoegd:*

De beperkingen en uitsluitingen in de Verklaring van Beperkte Garantie zijn niet van toepassing op schade die is veroorzaakt door fraude of grove nalatigheid van Lenovo, noch op uitdrukkelijke garantie.

De volgende zin is toegevoegd aan het eind van item 2:

Lenovo's aansprakelijkheid onder dit artikel is beperkt tot inbreuk op essentiële contractuele bepalingen bij normale nalatigheid.

HONGARIJE

Beperking van aansprakelijkheid: *Het volgende is aan het eind van dit gedeelte toegevoegd:*

De hierin opgegeven beperkingen en uitzonderingen zijn niet van toepassing op aansprakelijkheid voor enig niet-nakomen van de overeenkomst dat leidt tot overlijden, fysiek ongemak of schade aan de gezondheid die moedwillig, door grove nalatigheid of door strafbaar handelen is ontstaan.

Partijen aanvaarden de beperkingen van de aansprakelijkheid als geldige bepalingen en verklaren dat Sectie 314.(2) van het Hongaars Burgerlijk Wetboek van toepassing is aangezien de aanschafprijs plus andere voordelen die voortvloeien uit deze Verklaring van Beperkte Garantie een compensatie vormen voor deze beperking van de aansprakelijkheid.

IERLAND

Wat door deze Garantie wordt gedekt: *Het volgende is aan dit gedeelte toegevoegd:*

Tenzij uitdrukkelijk bepaald in deze Verklaring van Beperkte Garantie, alle wettelijk voorgeschreven voorwaarden, met inbegrip van alle stilzwijgende garanties, behoudens het voorafgaande, worden alle garanties zoals bedoeld in de Sale of Goods Act 1893 of de Sale of Goods and Supply of Services Act 1980 hierbij uitgesloten.

Beperking van aansprakelijkheid: *Het volgende treedt in de plaats van alle voorwaarden van dit gedeelte:*

Binnen dit gedeelte wordt onder een "Doen of Nalaten" verstaan: enig handelen, enige uitspraak, enig verzuim of enig nalaten van de zijde van Lenovo in verband of samenhangend met de inhoud van deze Verklaring van Beperkte Garantie waarvoor Lenovo jegens u wettelijk aansprakelijk is, hetzij contractueel hetzij uit onrechtmatige daad. Een aantal gevallen van een Doen of Nalaten die samen leiden tot, of bijdragen aan, in grote lijnen hetzelfde verlies of dezelfde schade, worden behandeld als één geval van Doen of Nalaten op de datum van het laatste geval van Doen of Nalaten.

Er kunnen zich omstandigheden voordoen waarin u, naar aanleiding van Doen of Nalaten, gerechtigd bent uw schade op Lenovo te verhalen.

In dit gedeelte worden de aansprakelijkheid van Lenovo en uw uitsluitende verhaalsmogelijkheden uiteengezet.

1. Lenovo aanvaardt onbeperkte aansprakelijkheid bij overlijden of letsel veroorzaakt door nalatigheid van Lenovo.
2. Lenovo aanvaardt onbeperkte aansprakelijkheid, echter steeds met inachtneming van de onderstaande **Zaken waarvoor Lenovo niet aansprakelijk is**, voor werkelijke schade aan uw tastbare eigendommen die is veroorzaakt door nalatigheid van Lenovo.
3. Met uitzondering van hetgeen onder Sub 1 en 2 hierboven is vastgelegd, is de totale aansprakelijkheid van Lenovo voor feitelijke schade ten gevolge van ieder afzonderlijk Doen of Nalaten in geen geval groter dan 125% van het bedrag dat u hebt betaald voor de Machine die direct gerelateerd is aan het Doen of Nalaten.

Zaken waarvoor Lenovo niet aansprakelijk is

Afgezien van hetgeen onder Sub 1 hierboven met betrekking tot aansprakelijkheid is vastgelegd, zijn Lenovo, haar toeleveranciers, wederverkopers en Serviceverleners in geen geval aansprakelijk voor het volgende, zelfs niet indien Lenovo, haar toeleveranciers, wederverkopers of Serviceverleners van de mogelijkheid van dergelijke verliezen op de hoogte zijn gesteld:

1. verlies van, of schade aan uw gegevens;
2. bijzondere, indirecte of gevolgschade; of

3. gedeerde winsten, verlies van klanten, inkomsten, goodwill of verwachte besparingen.

SLOWAKIJE

Beperking van aansprakelijkheid: *Het volgende is aan het eind van de laatste alinea toegevoegd:*

De beperkingen zijn van toepassing voor zover ze niet verboden zijn onder §§ 373-386 van het Slowaaks Wetboek van Handel.

ZUID-AFRIKA, NAMIBIË, BOTSWANA, LESOTHO EN SWAZILAND

Beperking van aansprakelijkheid: *Het volgende is aan dit gedeelte toegevoegd:*

De volledige aansprakelijkheid van Lenovo voor uw werkelijke schade die voortvloeit uit enige niet-nakoming door Lenovo met betrekking tot, of op enige wijze samenhangend met, de inhoud van deze Garantieverklaring, is beperkt tot het bedrag dat u hebt betaald voor de individuele Machine waarop uw vordering op Lenovo betrekking heeft.

VERENIGD KONINKRIJK

Beperking van aansprakelijkheid: *Het volgende treedt in de plaats van alle voorwaarden van dit gedeelte:*

Binnen dit gedeelte wordt onder een "Doen of Nalaten" verstaan: enig handelen, enige uitspraak, enig verzuim of enig nalaten van de zijde van Lenovo in verband of samenhangend met de inhoud van deze Verklaring van Beperkte Garantie waarvoor Lenovo jegens u wettelijk aansprakelijk is, hetzij contractueel hetzij uit onrechtmatige daad. Een aantal gevallen van Doen of Nalaten die samen leiden tot, of bijdragen aan, in grote lijnen hetzelfde verlies of dezelfde schade, worden behandeld als één geval van Doen of Nalaten.

Er kunnen zich omstandigheden voordoen waarin u, naar aanleiding van Doen of Nalaten, gerechtigd bent uw schade op Lenovo te verhalen.

In dit gedeelte worden de aansprakelijkheid van Lenovo en uw uitsluitende verhaalsmogelijkheden uiteengezet.

1. Lenovo aanvaardt onbeperkte aansprakelijkheid voor:
 - a. overlijden of letsel veroorzaakt door nalatigheid van Lenovo;
 - b. niet-nakoming van haar verplichtingen zoals geïmpliceerd door Section 12 van de Sale of Goods Act 1979 of Section 2 van de Supply of Goods and Services Act 1982, of enige wijziging in jurisprudentie of wetswijziging van een dergelijke Section.
2. Lenovo aanvaardt onbeperkte aansprakelijkheid, echter steeds met inachtneming van de onderstaande **Zaken waarvoor Lenovo niet aansprakelijk is**, voor werkelijke schade aan uw tastbare eigendommen die is veroorzaakt door nalatigheid van Lenovo.
3. Met uitzondering van hetgeen onder Sub 1 en 2 hierboven is vastgelegd, is de totale aansprakelijkheid van Lenovo voor feitelijke schade ten gevolge van ieder afzonderlijk Doen of Nalaten in geen geval groter dan 125% van

de totaal te betalen aanschafprijs of de verschuldigde bedragen voor de Machine die direct gerelateerd is aan het Doen of Nalaten.

Deze beperkingen zijn ook van toepassing op de toeleveranciers van Lenovo, wederverkopers en Serviceverleners. Het is het maximumbedrag waarvoor Lenovo, haar toeleveranciers, wederverkopers en Serviceverleners gezamenlijk aansprakelijk zijn.

Zaken waarvoor Lenovo niet aansprakelijk is

Afgezien van hetgeen onder Sub 1 hierboven met betrekking tot aansprakelijkheid is vastgelegd, zijn Lenovo, of haar toeleveranciers, wederverkopers en Serviceverleners in geen geval aansprakelijk voor het volgende, zelfs niet indien Lenovo, haar toeleveranciers, wederverkopers of Serviceverleners van de mogelijkheid van dergelijke verliezen op de hoogte zijn gesteld:

1. verlies van, of schade aan uw gegevens;
2. bijzondere, indirecte of gevolgschade; of
3. gedeerde winsten, verlies van klanten, inkomsten, goodwill of verwachte besparingen.

Deel 3 - Garantie-informatie

Dit Deel 3 verschaft informatie met betrekking tot de garantie die op uw Machine van toepassing is, met inbegrip van de garantieperiode en het type garantieservice dat Lenovo verleent.

Garantieperiode

De garantieperiode verschilt per land of regio en is gespecificeerd in de onderstaande tabel. OPMERKING: "Regio" betekent ofwel Hongkong, ofwel Macau, Speciale Administratieve Regio van China.

Een garantieperiode van 1 jaar op onderdelen en 1 jaar op arbeid betekent dat Lenovo gedurende het eerste jaar van de garantieperiode garantieservice verleent.

Machine-type	Land of regio van aanschaf	Garantie-periode	Typen garantie-service
6490	Verenigde Staten, Angola, Botswana, Burundi, Eritrea, Ethiopië, Ghana, Kenia, Liberia, Malawi, Malta, Mozambique, Nigeria, Rwanda, Sao Tome, Sierra Leone, Somalië, Tanzania, Oeganda, Zambia, Zimbabwe, Argentinië, Bolivia, Belize, Brazilië, Chili, Colombia, Costa Rica, Dominicaanse Republiek, Ecuador, El Salvador, Guatemala, Haïti, Honduras, Mexico, Nicaragua, Panama, Paraguay, Peru, Uruguay, Venezuela, Brazilië, Europa, Midden-Oosten, Afrika, Australië, Nieuw-Zeeland, Singapore, Maleisië, Thailand, Indonesië, Filippijnen, Vietnam, Brunei, Sri Lanka, Bangladesh, India, Korea, Hongkong, Taiwan, China (Volksrepubliek)	Onderdelen en arbeid - 3 jaar	5
6491	Verenigde Staten, Angola, Botswana, Burundi, Eritrea, Ethiopië, Ghana, Kenia, Liberia, Malawi, Malta, Mozambique, Nigeria, Rwanda, Sao Tome, Sierra Leone, Somalië, Tanzania, Oeganda, Zambia, Zimbabwe, Argentinië, Bolivia, Belize, Brazilië, Chili, Colombia, Costa Rica, Dominicaanse Republiek, Ecuador, El Salvador, Guatemala, Haïti, Honduras, Mexico, Nicaragua, Panama, Paraguay, Peru, Uruguay, Venezuela, Brazilië, Europa, Midden-Oosten, Afrika, Australië, Nieuw-Zeeland, Singapore, Maleisië, Thailand, Indonesië, Filippijnen, Vietnam, Brunei, Sri Lanka, Bangladesh, India, Korea, Hongkong, Taiwan, China (Volksrepubliek)	Onderdelen en arbeid - 3 jaar	5
8013	Verenigde Staten, Angola, Botswana, Burundi, Eritrea, Ethiopië, Ghana, Kenia, Liberia, Malawi, Malta, Mozambique, Nigeria, Rwanda, Sao Tome, Sierra Leone, Somalië, Tanzania, Oeganda, Zambia, Zimbabwe, Argentinië, Bolivia, Belize, Brazilië, Chili, Colombia, Costa Rica, Dominicaanse Republiek, Ecuador, El Salvador, Guatemala, Haïti, Honduras, Mexico, Nicaragua, Panama, Paraguay, Peru, Uruguay, Venezuela, Brazilië, Europa, Midden-Oosten, Afrika, Australië, Nieuw-Zeeland, Singapore, Maleisië, Thailand, Indonesië, Filippijnen, Vietnam, Brunei, Sri Lanka, Bangladesh, India, Korea, Hongkong, Taiwan, China (Volksrepubliek)	Onderdelen en arbeid - 1 jaar	5
8013	Japan	Onderdelen en arbeid - 1 jaar	6

Machine-type	Land of regio van aanschaf	Garantie-periode	Typen garantie-service
8700	Verenigde Staten, Angola, Botswana, Burundi, Eritrea, Ethiopië, Ghana, Kenia, Liberia, Malawi, Malta, Mozambique, Nigeria, Rwanda, Sao Tome, Sierra Leone, Somalië, Tanzania, Oeganda, Zambia, Zimbabwe, Argentinië, Bolivia, Belize, Brazilië, Chili, Colombia, Costa Rica, Dominicaanse Republiek, Ecuador, El Salvador, Guatemala, Haïti, Honduras, Mexico, Nicaragua, Panama, Paraguay, Peru, Uruguay, Venezuela, Brazilië, Europa, Midden-Oosten, Afrika, Australië, Nieuw-Zeeland, Singapore, Maleisië, Thailand, Indonesië, Filippijnen, Vietnam, Brunei, Sri Lanka, Bangladesh, India, Korea, Hongkong, Taiwan, China (Volksrepubliek)	Onderdelen en arbeid - 1 jaar	5
8700	Japan	Onderdelen en arbeid - 1 jaar	6
8701	Verenigde Staten, Angola, Botswana, Burundi, Eritrea, Ethiopië, Ghana, Kenia, Liberia, Malawi, Malta, Mozambique, Nigeria, Rwanda, Sao Tome, Sierra Leone, Somalië, Tanzania, Oeganda, Zambia, Zimbabwe, Argentinië, Bolivia, Belize, Brazilië, Chili, Colombia, Costa Rica, Dominicaanse Republiek, Ecuador, El Salvador, Guatemala, Haïti, Honduras, Mexico, Nicaragua, Panama, Paraguay, Peru, Uruguay, Venezuela, Brazilië, Europa, Midden-Oosten, Afrika, Australië, Nieuw-Zeeland, Singapore, Maleisië, Thailand, Indonesië, Filippijnen, Vietnam, Brunei, Sri Lanka, Bangladesh, India, Korea, Hongkong, Taiwan, China (Volksrepubliek)	Onderdelen en arbeid - 1 jaar	5
8701	Japan	Onderdelen en arbeid - 1 jaar	6
8702	Verenigde Staten, Angola, Botswana, Burundi, Eritrea, Ethiopië, Ghana, Kenia, Liberia, Malawi, Malta, Mozambique, Nigeria, Rwanda, Sao Tome, Sierra Leone, Somalië, Tanzania, Oeganda, Zambia, Zimbabwe, Argentinië, Bolivia, Belize, Brazilië, Chili, Colombia, Costa Rica, Dominicaanse Republiek, Ecuador, El Salvador, Guatemala, Haïti, Honduras, Mexico, Nicaragua, Panama, Paraguay, Peru, Uruguay, Venezuela, Brazilië, Europa, Midden-Oosten, Afrika, Australië, Nieuw-Zeeland, Singapore, Maleisië, Thailand, Indonesië, Filippijnen, Vietnam, Brunei, Sri Lanka, Bangladesh, India, Korea, Hongkong, Taiwan, China (Volksrepubliek)	Onderdelen en arbeid - 1 jaar	5

Machine-type	Land of regio van aanschaf	Garantie-periode	Typen garantie-service
8702	Japan	Onderdelen en arbeid - 1 jaar	6
8705	Verenigde Staten, Angola, Botswana, Burundi, Eritrea, Ethiopië, Ghana, Kenia, Liberia, Malawi, Malta, Mozambique, Nigeria, Rwanda, Sao Tome, Sierra Leone, Somalië, Tanzania, Oeganda, Zambia, Zimbabwe, Argentinië, Bolivia, Belize, Brazilië, Chili, Colombia, Costa Rica, Dominicaanse Republiek, Ecuador, El Salvador, Guatemala, Haïti, Honduras, Mexico, Nicaragua, Panama, Paraguay, Peru, Uruguay, Venezuela, Brazilië, Europa, Midden-Oosten, Afrika, Australië, Nieuw-Zeeland, Singapore, Maleisië, Thailand, Indonesië, Filippijnen, Vietnam, Brunei, Sri Lanka, Bangladesh, India, Korea, Hongkong, Taiwan, China (Volksrepubliek)	Onderdelen en arbeid - 1 jaar	5
8705	Japan	Onderdelen en arbeid - 1 jaar	6
8706	Verenigde Staten, Angola, Botswana, Burundi, Eritrea, Ethiopië, Ghana, Kenia, Liberia, Malawi, Malta, Mozambique, Nigeria, Rwanda, Sao Tome, Sierra Leone, Somalië, Tanzania, Oeganda, Zambia, Zimbabwe, Argentinië, Bolivia, Belize, Brazilië, Chili, Colombia, Costa Rica, Dominicaanse Republiek, Ecuador, El Salvador, Guatemala, Haïti, Honduras, Mexico, Nicaragua, Panama, Paraguay, Peru, Uruguay, Venezuela, Brazilië, Europa, Midden-Oosten, Afrika, Australië, Nieuw-Zeeland, Singapore, Maleisië, Thailand, Indonesië, Filippijnen, Vietnam, Brunei, Sri Lanka, Bangladesh, India, Korea, Hongkong, Taiwan, China (Volksrepubliek)	Onderdelen en arbeid - 1 jaar	5
8706	Japan	Onderdelen en arbeid - 1 jaar	6
8716	Europa, Midden-Oosten, Afrika	Onderdelen en arbeid - 1 jaar	7
8717	Europa, Midden-Oosten, Afrika	Onderdelen en arbeid - 1 jaar	7
8970	Europa, Midden-Oosten, Afrika	Onderdelen en arbeid - 1 jaar	7

Machine-type	Land of regio van aanschaf	Garantie-periode	Typen garantie-service
8972	Europa, Midden-Oosten, Afrika	Onderdelen en arbeid - 1 jaar	7
8973	Europa, Midden-Oosten, Afrika	Onderdelen en arbeid - 1 jaar	7
8975	Europa, Midden-Oosten, Afrika	Onderdelen en arbeid - 1 jaar	7
8976	Australië, Nieuw-Zeeland, Singapore, Maleisië, Thailand, Indonesië, Filippijnen, Vietnam, Brunei, Sri Lanka, Bangladesh, India, Korea, Hongkong, Taiwan, China (Volksrepubliek)	Onderdelen - 3 jaar Arbeid - 1 jaar	5
8976	Europa, Midden-Oosten, Afrika	Onderdelen en arbeid - 3 jaar	7
8979	Australië, Nieuw-Zeeland, Singapore, Maleisië, Thailand, Indonesië, Filippijnen, Vietnam, Brunei, Sri Lanka, Bangladesh, India, Korea, Hongkong, Taiwan, China (Volksrepubliek)	Onderdelen - 3 jaar Arbeid - 1 jaar	5
8979	Europa, Midden-Oosten, Afrika	Onderdelen en arbeid - 3 jaar	7
8980	Australië, Nieuw-Zeeland, Singapore, Maleisië, Thailand, Indonesië, Filippijnen, Vietnam, Brunei, Sri Lanka, Bangladesh, India, Korea, Hongkong, Taiwan, China (Volksrepubliek)	Onderdelen - 3 jaar Arbeid - 1 jaar	5
8980	Europa, Midden-Oosten, Afrika	Onderdelen en arbeid - 3 jaar	7
8982	Australië, Nieuw-Zeeland, Singapore, Maleisië, Thailand, Indonesië, Filippijnen, Vietnam, Brunei, Sri Lanka, Bangladesh, India, Korea, Hongkong, Taiwan, China (Volksrepubliek)	Onderdelen - 3 jaar Arbeid - 1 jaar	5
8982	Europa, Midden-Oosten, Afrika	Onderdelen en arbeid - 3 jaar	7
8983	Australië, Nieuw-Zeeland, Singapore, Maleisië, Thailand, Indonesië, Filippijnen, Vietnam, Brunei, Sri Lanka, Bangladesh, India, Korea, Hongkong, Taiwan, China (Volksrepubliek)	Onderdelen - 3 jaar Arbeid - 1 jaar	5
8983	Europa, Midden-Oosten, Afrika	Onderdelen en arbeid - 3 jaar	7

Machine-type	Land of regio van aanschaf	Garantie-periode	Typen garantie-service
8985	Australië, Nieuw-Zeeland, Singapore, Maleisië, Thailand, Indonesië, Filippijnen, Vietnam, Brunei, Sri Lanka, Bangladesh, India, Korea, Hongkong, Taiwan, China (Volksrepubliek)	Onderdelen - 3 jaar Arbeid - 1 jaar	5
8985	Europa, Midden-Oosten, Afrika	Onderdelen en arbeid - 3 jaar	7
8986	Verenigde Staten, Angola, Botswana, Burundi, Eritrea, Ethiopië, Ghana, Kenia, Liberia, Malawi, Malta, Mozambique, Nigeria, Rwanda, Sao Tome, Sierra Leone, Somalië, Tanzania, Oeganda, Zambia, Zimbabwe, Argentinië, Bolivia, Belize, Brazilië, Chili, Colombia, Costa Rica, Dominicaanse Republiek, Ecuador, El Salvador, Guatemala, Haïti, Honduras, Mexico, Nicaragua, Panama, Paraguay, Peru, Uruguay, Venezuela, Brazilië, Europa, Midden-Oosten, Afrika, Australië, Nieuw-Zeeland, Singapore, Maleisië, Thailand, Indonesië, Filippijnen, Vietnam, Brunei, Sri Lanka, Bangladesh, Korea, Hongkong, Taiwan, China (Volksrepubliek)	Onderdelen en arbeid - 3 jaar	5
8991	Verenigde Staten, Angola, Botswana, Burundi, Eritrea, Ethiopië, Ghana, Kenia, Liberia, Malawi, Malta, Mozambique, Nigeria, Rwanda, Sao Tome, Sierra Leone, Somalië, Tanzania, Oeganda, Zambia, Zimbabwe, Argentinië, Bolivia, Belize, Brazilië, Chili, Colombia, Costa Rica, Dominicaanse Republiek, Ecuador, El Salvador, Guatemala, Haïti, Honduras, Mexico, Nicaragua, Panama, Paraguay, Peru, Uruguay, Venezuela, Brazilië, Europa, Midden-Oosten, Afrika, Australië, Nieuw-Zeeland, Singapore, Maleisië, Thailand, Indonesië, Filippijnen, Vietnam, Brunei, Sri Lanka, Bangladesh, Korea, Hongkong, Taiwan, China (Volksrepubliek)	Onderdelen en arbeid - 3 jaar	5
8992	Verenigde Staten, Angola, Botswana, Burundi, Eritrea, Ethiopië, Ghana, Kenia, Liberia, Malawi, Malta, Mozambique, Nigeria, Rwanda, Sao Tome, Sierra Leone, Somalië, Tanzania, Oeganda, Zambia, Zimbabwe, Argentinië, Bolivia, Belize, Brazilië, Chili, Colombia, Costa Rica, Dominicaanse Republiek, Ecuador, El Salvador, Guatemala, Haïti, Honduras, Mexico, Nicaragua, Panama, Paraguay, Peru, Uruguay, Venezuela, Brazilië, Europa, Midden-Oosten, Afrika, Australië, Nieuw-Zeeland, Singapore, Maleisië, Thailand, Indonesië, Filippijnen, Vietnam, Brunei, Sri Lanka, Bangladesh, Korea, Hongkong, Taiwan, China (Volksrepubliek)	Onderdelen en arbeid - 3 jaar	5

Machine-type	Land of regio van aanschaf	Garantie-periode	Typen garantie-service
8994	Verenigde Staten, Angola, Botswana, Burundi, Eritrea, Ethiopië, Ghana, Kenia, Liberia, Malawi, Malta, Mozambique, Nigeria, Rwanda, Sao Tome, Sierra Leone, Somalië, Tanzania, Oeganda, Zambia, Zimbabwe, Argentinië, Bolivia, Belize, Brazilië, Chili, Colombia, Costa Rica, Dominicaanse Republiek, Ecuador, El Salvador, Guatemala, Haïti, Honduras, Mexico, Nicaragua, Panama, Paraguay, Peru, Uruguay, Venezuela, Brazilië, Europa, Midden-Oosten, Afrika, Australië, Nieuw-Zeeland, Singapore, Maleisië, Thailand, Indonesië, Filippijnen, Vietnam, Brunei, Sri Lanka, Bangladesh, Korea, Hongkong, Taiwan, China (Volksrepubliek)	Onderdelen en arbeid - 3 jaar	5
8995	Verenigde Staten, Angola, Botswana, Burundi, Eritrea, Ethiopië, Ghana, Kenia, Liberia, Malawi, Malta, Mozambique, Nigeria, Rwanda, Sao Tome, Sierra Leone, Somalië, Tanzania, Oeganda, Zambia, Zimbabwe, Argentinië, Bolivia, Belize, Brazilië, Chili, Colombia, Costa Rica, Dominicaanse Republiek, Ecuador, El Salvador, Guatemala, Haïti, Honduras, Mexico, Nicaragua, Panama, Paraguay, Peru, Uruguay, Venezuela, Brazilië, Europa, Midden-Oosten, Afrika, Australië, Nieuw-Zeeland, Singapore, Maleisië, Thailand, Indonesië, Filippijnen, Vietnam, Brunei, Sri Lanka, Bangladesh, Korea, Hongkong, Taiwan, China (Volksrepubliek)	Onderdelen en arbeid - 3 jaar	5
9265	Verenigde Staten, Angola, Botswana, Burundi, Eritrea, Ethiopië, Ghana, Kenia, Liberia, Malawi, Malta, Mozambique, Nigeria, Rwanda, Sao Tome, Sierra Leone, Somalië, Tanzania, Oeganda, Zambia, Zimbabwe, Argentinië, Bolivia, Belize, Brazilië, Chili, Colombia, Costa Rica, Dominicaanse Republiek, Ecuador, El Salvador, Guatemala, Haïti, Honduras, Mexico, Nicaragua, Panama, Paraguay, Peru, Uruguay, Venezuela, Brazilië, Europa, Midden-Oosten, Afrika, Australië, Nieuw-Zeeland, Singapore, Maleisië, Thailand, Indonesië, Filippijnen, Vietnam, Brunei, Sri Lanka, Bangladesh, Korea, Hongkong, Taiwan, China (Volksrepubliek)	Onderdelen en arbeid - 3 jaar	5

Machine-type	Land of regio van aanschaf	Garantie-periode	Typen garantie-service
9266	Verenigde Staten, Angola, Botswana, Burundi, Eritrea, Ethiopië, Ghana, Kenia, Liberia, Malawi, Malta, Mozambique, Nigeria, Rwanda, Sao Tome, Sierra Leone, Somalië, Tanzania, Oeganda, Zambia, Zimbabwe, Argentinië, Bolivia, Belize, Brazilië, Chili, Colombia, Costa Rica, Dominicaanse Republiek, Ecuador, El Salvador, Guatemala, Haïti, Honduras, Mexico, Nicaragua, Panama, Paraguay, Peru, Uruguay, Venezuela, Brazilië, Europa, Midden-Oosten, Afrika, Australië, Nieuw-Zeeland, Singapore, Maleisië, Thailand, Indonesië, Filippijnen, Vietnam, Brunei, Sri Lanka, Bangladesh, India, Korea, Hongkong, Taiwan	Onderdelen en arbeid - 1 jaar	5
9266	Japan	Onderdelen en arbeid - 1 jaar	6
9269	Verenigde Staten, Angola, Botswana, Burundi, Eritrea, Ethiopië, Ghana, Kenia, Liberia, Malawi, Malta, Mozambique, Nigeria, Rwanda, Sao Tome, Sierra Leone, Somalië, Tanzania, Oeganda, Zambia, Zimbabwe, Argentinië, Bolivia, Belize, Brazilië, Chili, Colombia, Costa Rica, Dominicaanse Republiek, Ecuador, El Salvador, Guatemala, Haïti, Honduras, Mexico, Nicaragua, Panama, Paraguay, Peru, Uruguay, Venezuela, Brazilië, Europa, Midden-Oosten, Afrika, Australië, Nieuw-Zeeland, Singapore, Maleisië, Thailand, Indonesië, Filippijnen, Vietnam, Brunei, Sri Lanka, Bangladesh, India, Korea, Hongkong, Taiwan	Onderdelen en arbeid - 1 jaar	5
9269	Japan	Onderdelen en arbeid - 1 jaar	6
9276	Verenigde Staten, Angola, Botswana, Burundi, Eritrea, Ethiopië, Ghana, Kenia, Liberia, Malawi, Malta, Mozambique, Nigeria, Rwanda, Sao Tome, Sierra Leone, Somalië, Tanzania, Oeganda, Zambia, Zimbabwe, Argentinië, Bolivia, Belize, Brazilië, Chili, Colombia, Costa Rica, Dominicaanse Republiek, Ecuador, El Salvador, Guatemala, Haïti, Honduras, Mexico, Nicaragua, Panama, Paraguay, Peru, Uruguay, Venezuela, Brazilië, Europa, Midden-Oosten, Afrika, Australië, Nieuw-Zeeland, Singapore, Maleisië, Thailand, Indonesië, Filippijnen, Vietnam, Brunei, Sri Lanka, Bangladesh, India, Korea, Hongkong, Taiwan	Onderdelen en arbeid - 1 jaar	5

Machine-type	Land of regio van aanschaf	Garantie-periode	Typen garantie-service
9276	Japan	Onderdelen en arbeid - 1 jaar	6
9277	Verenigde Staten, Angola, Botswana, Burundi, Eritrea, Ethiopië, Ghana, Kenia, Liberia, Malawi, Malta, Mozambique, Nigeria, Rwanda, Sao Tome, Sierra Leone, Somalië, Tanzania, Oeganda, Zambia, Zimbabwe, Argentinië, Bolivia, Belize, Brazilië, Chili, Colombia, Costa Rica, Dominicaanse Republiek, Ecuador, El Salvador, Guatemala, Haïti, Honduras, Mexico, Nicaragua, Panama, Paraguay, Peru, Uruguay, Venezuela, Brazilië, Europa, Midden-Oosten, Afrika, Australië, Nieuw-Zeeland, Singapore, Maleisië, Thailand, Indonesië, Filippijnen, Vietnam, Brunei, Sri Lanka, Bangladesh, India, Korea, Hongkong, Taiwan	Onderdelen en arbeid - 1 jaar	5
9277	Japan	Onderdelen en arbeid - 1 jaar	6
9278	Verenigde Staten, Angola, Botswana, Burundi, Eritrea, Ethiopië, Ghana, Kenia, Liberia, Malawi, Malta, Mozambique, Nigeria, Rwanda, Sao Tome, Sierra Leone, Somalië, Tanzania, Oeganda, Zambia, Zimbabwe, Argentinië, Bolivia, Belize, Brazilië, Chili, Colombia, Costa Rica, Dominicaanse Republiek, Ecuador, El Salvador, Guatemala, Haïti, Honduras, Mexico, Nicaragua, Panama, Paraguay, Peru, Uruguay, Venezuela, Brazilië, Europa, Midden-Oosten, Afrika, Australië, Nieuw-Zeeland, Singapore, Maleisië, Thailand, Indonesië, Filippijnen, Vietnam, Brunei, Sri Lanka, Bangladesh, India, Korea, Hongkong, Taiwan	Onderdelen en arbeid - 1 jaar	5
9278	Japan	Onderdelen en arbeid - 1 jaar	6

Machine-type	Land of regio van aanschaf	Garantie-periode	Typen garantie-service
9279	Verenigde Staten, Angola, Botswana, Burundi, Eritrea, Ethiopië, Ghana, Kenia, Liberia, Malawi, Malta, Mozambique, Nigeria, Rwanda, Sao Tome, Sierra Leone, Somalië, Tanzania, Oeganda, Zambia, Zimbabwe, Argentinië, Bolivia, Belize, Brazilië, Chili, Colombia, Costa Rica, Dominicaanse Republiek, Ecuador, El Salvador, Guatemala, Haïti, Honduras, Mexico, Nicaragua, Panama, Paraguay, Peru, Uruguay, Venezuela, Brazilië, Europa, Midden-Oosten, Afrika, Australië, Nieuw-Zeeland, Singapore, Maleisië, Thailand, Indonesië, Filipijnen, Vietnam, Brunei, Sri Lanka, Bangladesh, India, Korea, Hongkong, Taiwan	Onderdelen en arbeid - 1 jaar	5
9279	Japan	Onderdelen en arbeid - 1 jaar	6
9282	Argentinië, Bolivia, Belize, Brazilië, Chili, Colombia, Costa Rica, Dominicaanse Republiek, Ecuador, El Salvador, Guatemala, Haïti, Honduras, Mexico, Nicaragua, Panama, Paraguay, Peru, Uruguay, Venezuela, Brazilië, Europa, Midden-Oosten, Afrika	Onderdelen en arbeid - 1 jaar	7
9283	Argentinië, Bolivia, Belize, Brazilië, Chili, Colombia, Costa Rica, Dominicaanse Republiek, Ecuador, El Salvador, Guatemala, Haïti, Honduras, Mexico, Nicaragua, Panama, Paraguay, Peru, Uruguay, Venezuela, Brazilië, Europa, Midden-Oosten, Afrika	Onderdelen en arbeid - 1 jaar	7
9286	Argentinië, Bolivia, Belize, Brazilië, Chili, Colombia, Costa Rica, Dominicaanse Republiek, Ecuador, El Salvador, Guatemala, Haïti, Honduras, Mexico, Nicaragua, Panama, Paraguay, Peru, Uruguay, Venezuela, Brazilië, Europa, Midden-Oosten, Afrika	Onderdelen en arbeid - 1 jaar	7
9287	Argentinië, Bolivia, Belize, Brazilië, Chili, Colombia, Costa Rica, Dominicaanse Republiek, Ecuador, El Salvador, Guatemala, Haïti, Honduras, Mexico, Nicaragua, Panama, Paraguay, Peru, Uruguay, Venezuela, Brazilië, Europa, Midden-Oosten, Afrika	Onderdelen en arbeid - 1 jaar	7
9288	Argentinië, Bolivia, Belize, Brazilië, Chili, Colombia, Costa Rica, Dominicaanse Republiek, Ecuador, El Salvador, Guatemala, Haïti, Honduras, Mexico, Nicaragua, Panama, Paraguay, Peru, Uruguay, Venezuela, Brazilië, Europa, Midden-Oosten, Afrika	Onderdelen en arbeid - 1 jaar	7

Machine-type	Land of regio van aanschaf	Garantie-periode	Typen garantie-service
9374	Australië, Nieuw-Zeeland, Singapore, Maleisië, Thailand, Indonesië, Filippijnen, Vietnam, Brunei, Sri Lanka, Bangladesh, India, Korea, Hongkong, Taiwan, China (Volksrepubliek)	Onderdelen - 3 jaar Arbeid - 1 jaar	5
9374	Europa, Midden-Oosten, Afrika	Onderdelen en arbeid - 3 jaar	7
9378	Australië, Nieuw-Zeeland, Singapore, Maleisië, Thailand, Indonesië, Filippijnen, Vietnam, Brunei, Sri Lanka, Bangladesh, India, Korea, Hongkong, Taiwan, China (Volksrepubliek)	Onderdelen - 3 jaar Arbeid - 1 jaar	5
9378	Europa, Midden-Oosten, Afrika	Onderdelen en arbeid - 3 jaar	7
9379	Argentinië, Bolivia, Belize, Brazilië, Chili, Colombia, Costa Rica, Dominicaanse Republiek, Ecuador, El Salvador, Guatemala, Haïti, Honduras, Mexico, Nicaragua, Panama, Paraguay, Peru, Uruguay, Venezuela, Brazilië, Europa, Midden-Oosten, Afrika	Onderdelen en arbeid - 1 jaar	7
9380	Australië, Nieuw-Zeeland, Singapore, Maleisië, Thailand, Indonesië, Filippijnen, Vietnam, Brunei, Sri Lanka, Bangladesh, India, Korea, Hongkong, Taiwan, China (Volksrepubliek)	Onderdelen - 3 jaar Arbeid - 1 jaar	5
9380	Europa, Midden-Oosten, Afrika	Onderdelen en arbeid - 3 jaar	7
9383	Australië, Nieuw-Zeeland, Singapore, Maleisië, Thailand, Indonesië, Filippijnen, Vietnam, Brunei, Sri Lanka, Bangladesh, India, Korea, Hongkong, Taiwan, China (Volksrepubliek)	Onderdelen - 3 jaar Arbeid - 1 jaar	5
9383	Europa, Midden-Oosten, Afrika	Onderdelen en arbeid - 3 jaar	7

Machine-type	Land of regio van aanschaf	Garantie-periode	Typen garantie-service
9384	Verenigde Staten, Angola, Botswana, Burundi, Eritrea, Ethiopië, Ghana, Kenia, Liberia, Malawi, Malta, Mozambique, Nigeria, Rwanda, Sao Tome, Sierra Leone, Somalië, Tanzania, Oeganda, Zambia, Zimbabwe, Argentinië, Bolivia, Belize, Brazilië, Chili, Colombia, Costa Rica, Dominicaanse Republiek, Ecuador, El Salvador, Guatemala, Haïti, Honduras, Mexico, Nicaragua, Panama, Paraguay, Peru, Uruguay, Venezuela, Brazilië, Europa, Midden-Oosten, Afrika, Australië, Nieuw-Zeeland, Singapore, Maleisië, Thailand, Indonesië, Filippijnen, Vietnam, Brunei, Sri Lanka, Bangladesh, India, Korea, Hongkong, Taiwan, China (Volksrepubliek)	Onderdelen en arbeid - 3 jaar	5
9387	Australië, Nieuw-Zeeland, Singapore, Maleisië, Thailand, Indonesië, Filippijnen, Vietnam, Brunei, Sri Lanka, Bangladesh, India, Korea, Hongkong, Taiwan, China (Volksrepubliek)	Onderdelen - 3 jaar Arbeid - 1 jaar	5
9387	Europa, Midden-Oosten, Afrika	Onderdelen en arbeid - 3 jaar	7
9389	Australië, Nieuw-Zeeland, Singapore, Maleisië, Thailand, Indonesië, Filippijnen, Vietnam, Brunei, Sri Lanka, Bangladesh, India, Korea, Hongkong, Taiwan, China (Volksrepubliek)	Onderdelen - 3 jaar Arbeid - 1 jaar	5
9389	Europa, Midden-Oosten, Afrika	Onderdelen en arbeid - 3 jaar	7
9628	Verenigde Staten, Angola, Botswana, Burundi, Eritrea, Ethiopië, Ghana, Kenia, Liberia, Malawi, Malta, Mozambique, Nigeria, Rwanda, Sao Tome, Sierra Leone, Somalië, Tanzania, Oeganda, Zambia, Zimbabwe, Argentinië, Bolivia, Belize, Brazilië, Chili, Colombia, Costa Rica, Dominicaanse Republiek, Ecuador, El Salvador, Guatemala, Haïti, Honduras, Mexico, Nicaragua, Panama, Paraguay, Peru, Uruguay, Venezuela, Brazilië, Europa, Midden-Oosten, Afrika, Australië, Nieuw-Zeeland, Singapore, Maleisië, Thailand, Indonesië, Filippijnen, Vietnam, Brunei, Sri Lanka, Bangladesh, India, Korea, Hongkong, Taiwan, China (Volksrepubliek)	Onderdelen en arbeid - 3 jaar	5

Machine-type	Land of regio van aanschaf	Garantie-periode	Typen garantie-service
9631	Verenigde Staten, Angola, Botswana, Burundi, Eritrea, Ethiopië, Ghana, Kenia, Liberia, Malawi, Malta, Mozambique, Nigeria, Rwanda, Sao Tome, Sierra Leone, Somalië, Tanzania, Oeganda, Zambia, Zimbabwe, Argentinië, Bolivia, Belize, Brazilië, Chili, Colombia, Costa Rica, Dominicaanse Republiek, Ecuador, El Salvador, Guatemala, Haïti, Honduras, Mexico, Nicaragua, Panama, Paraguay, Peru, Uruguay, Venezuela, Brazilië, Europa, Midden-Oosten, Afrika, Australië, Nieuw-Zeeland, Singapore, Maleisië, Thailand, Indonesië, Filippijnen, Vietnam, Brunei, Sri Lanka, Bangladesh, India, Korea, Hongkong, Taiwan, China (Volksrepubliek)	Onderdelen en arbeid - 3 jaar	5
9632	Verenigde Staten, Angola, Botswana, Burundi, Eritrea, Ethiopië, Ghana, Kenia, Liberia, Malawi, Malta, Mozambique, Nigeria, Rwanda, Sao Tome, Sierra Leone, Somalië, Tanzania, Oeganda, Zambia, Zimbabwe, Argentinië, Bolivia, Belize, Brazilië, Chili, Colombia, Costa Rica, Dominicaanse Republiek, Ecuador, El Salvador, Guatemala, Haïti, Honduras, Mexico, Nicaragua, Panama, Paraguay, Peru, Uruguay, Venezuela, Brazilië, Europa, Midden-Oosten, Afrika, Australië, Nieuw-Zeeland, Singapore, Maleisië, Thailand, Indonesië, Filippijnen, Vietnam, Brunei, Sri Lanka, Bangladesh, India, Korea, Hongkong, Taiwan, China (Volksrepubliek)	Onderdelen en arbeid - 3 jaar	5
9635	Verenigde Staten, Angola, Botswana, Burundi, Eritrea, Ethiopië, Ghana, Kenia, Liberia, Malawi, Malta, Mozambique, Nigeria, Rwanda, Sao Tome, Sierra Leone, Somalië, Tanzania, Oeganda, Zambia, Zimbabwe, Argentinië, Bolivia, Belize, Brazilië, Chili, Colombia, Costa Rica, Dominicaanse Republiek, Ecuador, El Salvador, Guatemala, Haïti, Honduras, Mexico, Nicaragua, Panama, Paraguay, Peru, Uruguay, Venezuela, Brazilië, Europa, Midden-Oosten, Afrika, Australië, Nieuw-Zeeland, Singapore, Maleisië, Thailand, Indonesië, Filippijnen, Vietnam, Brunei, Sri Lanka, Bangladesh, India, Korea, Hongkong, Taiwan, China (Volksrepubliek)	Onderdelen en arbeid - 3 jaar	5

Machine-type	Land of regio van aanschaf	Garantie-periode	Typen garantie-service
9636	Verenigde Staten, Angola, Botswana, Burundi, Eritrea, Ethiopië, Ghana, Kenia, Liberia, Malawi, Malta, Mozambique, Nigeria, Rwanda, Sao Tome, Sierra Leone, Somalië, Tanzania, Oeganda, Zambia, Zimbabwe, Argentinië, Bolivia, Belize, Brazilië, Chili, Colombia, Costa Rica, Dominicaanse Republiek, Ecuador, El Salvador, Guatemala, Haïti, Honduras, Mexico, Nicaragua, Panama, Paraguay, Peru, Uruguay, Venezuela, Brazilië, Europa, Midden-Oosten, Afrika, Australië, Nieuw-Zeeland, Singapore, Maleisië, Thailand, Indonesië, Filippijnen, Vietnam, Brunei, Sri Lanka, Bangladesh, India, Korea, Hongkong, Taiwan, China (Volksrepubliek)	Onderdelen en arbeid - 1 jaar	5
9636	Japan	Onderdelen en arbeid - 1 jaar	6
9637	Verenigde Staten, Angola, Botswana, Burundi, Eritrea, Ethiopië, Ghana, Kenia, Liberia, Malawi, Malta, Mozambique, Nigeria, Rwanda, Sao Tome, Sierra Leone, Somalië, Tanzania, Oeganda, Zambia, Zimbabwe, Argentinië, Bolivia, Belize, Brazilië, Chili, Colombia, Costa Rica, Dominicaanse Republiek, Ecuador, El Salvador, Guatemala, Haïti, Honduras, Mexico, Nicaragua, Panama, Paraguay, Peru, Uruguay, Venezuela, Brazilië, Europa, Midden-Oosten, Afrika, Australië, Nieuw-Zeeland, Singapore, Maleisië, Thailand, Indonesië, Filippijnen, Vietnam, Brunei, Sri Lanka, Bangladesh, India, Korea, Hongkong, Taiwan, China (Volksrepubliek)	Onderdelen en arbeid - 3 jaar	5
9638	Europa, Midden-Oosten, Afrika	Onderdelen en arbeid - 1 jaar	7
9640	Australië, Nieuw-Zeeland, Singapore, Maleisië, Thailand, Indonesië, Filippijnen, Vietnam, Brunei, Sri Lanka, Bangladesh, India, Korea, Hongkong, Taiwan, China (Volksrepubliek)	Onderdelen - 3 jaar Arbeid - 1 jaar	5
9640	Europa, Midden-Oosten, Afrika	Onderdelen en arbeid - 3 jaar	7

Machine-type	Land of regio van aanschaf	Garantie-periode	Typen garantie-service
9641	Verenigde Staten, Angola, Botswana, Burundi, Eritrea, Ethiopië, Ghana, Kenia, Liberia, Malawi, Malta, Mozambique, Nigeria, Rwanda, Sao Tome, Sierra Leone, Somalië, Tanzania, Oeganda, Zambia, Zimbabwe, Argentinië, Bolivia, Belize, Brazilië, Chili, Colombia, Costa Rica, Dominicaanse Republiek, Ecuador, El Salvador, Guatemala, Haïti, Honduras, Mexico, Nicaragua, Panama, Paraguay, Peru, Uruguay, Venezuela, Brazilië, Europa, Midden-Oosten, Afrika, Australië, Nieuw-Zeeland, Singapore, Maleisië, Thailand, Indonesië, Filippijnen, Vietnam, Brunei, Sri Lanka, Bangladesh, Korea, Hongkong, Taiwan, China (Volksrepubliek)	Onderdelen en arbeid - 3 jaar	5
9642	Verenigde Staten, Angola, Botswana, Burundi, Eritrea, Ethiopië, Ghana, Kenia, Liberia, Malawi, Malta, Mozambique, Nigeria, Rwanda, Sao Tome, Sierra Leone, Somalië, Tanzania, Oeganda, Zambia, Zimbabwe, Argentinië, Bolivia, Belize, Brazilië, Chili, Colombia, Costa Rica, Dominicaanse Republiek, Ecuador, El Salvador, Guatemala, Haïti, Honduras, Mexico, Nicaragua, Panama, Paraguay, Peru, Uruguay, Venezuela, Brazilië, Europa, Midden-Oosten, Afrika, Australië, Nieuw-Zeeland, Singapore, Maleisië, Thailand, Indonesië, Filippijnen, Vietnam, Brunei, Sri Lanka, Bangladesh, India, Korea, Hongkong, Taiwan	Onderdelen en arbeid - 1 jaar	5
9642	Japan	Onderdelen en arbeid - 1 jaar	6
9643	Argentinië, Bolivia, Belize, Brazilië, Chili, Colombia, Costa Rica, Dominicaanse Republiek, Ecuador, El Salvador, Guatemala, Haïti, Honduras, Mexico, Nicaragua, Panama, Paraguay, Peru, Uruguay, Venezuela, Brazilië, Europa, Midden-Oosten, Afrika	Onderdelen en arbeid - 1 jaar	7
9644	Australië, Nieuw-Zeeland, Singapore, Maleisië, Thailand, Indonesië, Filippijnen, Vietnam, Brunei, Sri Lanka, Bangladesh, India, Korea, Hongkong, Taiwan, China (Volksrepubliek)	Onderdelen - 3 jaar Arbeid - 1 jaar	5
9644	Europa, Midden-Oosten, Afrika	Onderdelen en arbeid - 3 jaar	7

Machine-type	Land of regio van aanschaf	Garantie-periode	Typen garantie-service
9645	Verenigde Staten, Angola, Botswana, Burundi, Eritrea, Ethiopië, Ghana, Kenia, Liberia, Malawi, Malta, Mozambique, Nigeria, Rwanda, Sao Tome, Sierra Leone, Somalië, Tanzania, Oeganda, Zambia, Zimbabwe, Argentinië, Bolivia, Belize, Brazilië, Chili, Colombia, Costa Rica, Dominicaanse Republiek, Ecuador, El Salvador, Guatemala, Haïti, Honduras, Mexico, Nicaragua, Panama, Paraguay, Peru, Uruguay, Venezuela, Brazilië, Europa, Midden-Oosten, Afrika, Australië, Nieuw-Zeeland, Singapore, Maleisië, Thailand, Indonesië, Filippijnen, Vietnam, Brunei, Sri Lanka, Bangladesh, India, Korea, Hongkong, Taiwan, China (Volksrepubliek)	Onderdelen en arbeid - 3 jaar	5
9646	Verenigde Staten, Angola, Botswana, Burundi, Eritrea, Ethiopië, Ghana, Kenia, Liberia, Malawi, Malta, Mozambique, Nigeria, Rwanda, Sao Tome, Sierra Leone, Somalië, Tanzania, Oeganda, Zambia, Zimbabwe, Argentinië, Bolivia, Belize, Brazilië, Chili, Colombia, Costa Rica, Dominicaanse Republiek, Ecuador, El Salvador, Guatemala, Haïti, Honduras, Mexico, Nicaragua, Panama, Paraguay, Peru, Uruguay, Venezuela, Brazilië, Europa, Midden-Oosten, Afrika, Australië, Nieuw-Zeeland, Singapore, Maleisië, Thailand, Indonesië, Filippijnen, Vietnam, Brunei, Sri Lanka, Bangladesh, India, Korea, Hongkong, Taiwan, China (Volksrepubliek)	Onderdelen en arbeid - 4 jaar	5
9647	Verenigde Staten, Angola, Botswana, Burundi, Eritrea, Ethiopië, Ghana, Kenia, Liberia, Malawi, Malta, Mozambique, Nigeria, Rwanda, Sao Tome, Sierra Leone, Somalië, Tanzania, Oeganda, Zambia, Zimbabwe, Argentinië, Bolivia, Belize, Brazilië, Chili, Colombia, Costa Rica, Dominicaanse Republiek, Ecuador, El Salvador, Guatemala, Haïti, Honduras, Mexico, Nicaragua, Panama, Paraguay, Peru, Uruguay, Venezuela, Brazilië, Europa, Midden-Oosten, Afrika, Australië, Nieuw-Zeeland, Singapore, Maleisië, Thailand, Indonesië, Filippijnen, Vietnam, Brunei, Sri Lanka, Bangladesh, India, Korea, Hongkong, Taiwan, China (Volksrepubliek)	Onderdelen en arbeid - 4 jaar	5

Machine-type	Land of regio van aanschaf	Garantie-periode	Typen garantie-service
9648	Verenigde Staten, Angola, Botswana, Burundi, Eritrea, Ethiopië, Ghana, Kenia, Liberia, Malawi, Malta, Mozambique, Nigeria, Rwanda, Sao Tome, Sierra Leone, Somalië, Tanzania, Oeganda, Zambia, Zimbabwe, Argentinië, Bolivia, Belize, Brazilië, Chili, Colombia, Costa Rica, Dominicaanse Republiek, Ecuador, El Salvador, Guatemala, Haïti, Honduras, Mexico, Nicaragua, Panama, Paraguay, Peru, Uruguay, Venezuela, Brazilië, Europa, Midden-Oosten, Afrika, Australië, Nieuw-Zeeland, Singapore, Maleisië, Thailand, Indonesië, Filippijnen, Vietnam, Brunei, Sri Lanka, Bangladesh, India, Korea, Hongkong, Taiwan, China (Volksrepubliek)	Onderdelen en arbeid - 4 jaar	5
9649	Verenigde Staten, Angola, Botswana, Burundi, Eritrea, Ethiopië, Ghana, Kenia, Liberia, Malawi, Malta, Mozambique, Nigeria, Rwanda, Sao Tome, Sierra Leone, Somalië, Tanzania, Oeganda, Zambia, Zimbabwe, Argentinië, Bolivia, Belize, Brazilië, Chili, Colombia, Costa Rica, Dominicaanse Republiek, Ecuador, El Salvador, Guatemala, Haïti, Honduras, Mexico, Nicaragua, Panama, Paraguay, Peru, Uruguay, Venezuela, Brazilië, Europa, Midden-Oosten, Afrika, Australië, Nieuw-Zeeland, Singapore, Maleisië, Thailand, Indonesië, Filippijnen, Vietnam, Brunei, Sri Lanka, Bangladesh, India, Korea, Hongkong, Taiwan, China (Volksrepubliek)	Onderdelen en arbeid - 4 jaar	5
9694	Verenigde Staten, Angola, Botswana, Burundi, Eritrea, Ethiopië, Ghana, Kenia, Liberia, Malawi, Malta, Mozambique, Nigeria, Rwanda, Sao Tome, Sierra Leone, Somalië, Tanzania, Oeganda, Zambia, Zimbabwe, Argentinië, Bolivia, Belize, Brazilië, Chili, Colombia, Costa Rica, Dominicaanse Republiek, Ecuador, El Salvador, Guatemala, Haïti, Honduras, Mexico, Nicaragua, Panama, Paraguay, Peru, Uruguay, Venezuela, Brazilië, Europa, Midden-Oosten, Afrika, Australië, Nieuw-Zeeland, Singapore, Maleisië, Thailand, Indonesië, Filippijnen, Vietnam, Brunei, Sri Lanka, Bangladesh, India, Korea, Hongkong, Taiwan, China (Volksrepubliek)	Onderdelen en arbeid - 3 jaar	5

Machine-type	Land of regio van aanschaf	Garantie-periode	Typen garantie-service
9695	Verenigde Staten, Angola, Botswana, Burundi, Eritrea, Ethiopië, Ghana, Kenia, Liberia, Malawi, Malta, Mozambique, Nigeria, Rwanda, Sao Tome, Sierra Leone, Somalië, Tanzania, Oeganda, Zambia, Zimbabwe, Argentinië, Bolivia, Belize, Brazilië, Chili, Colombia, Costa Rica, Dominicaanse Republiek, Ecuador, El Salvador, Guatemala, Haïti, Honduras, Mexico, Nicaragua, Panama, Paraguay, Peru, Uruguay, Venezuela, Brazilië, Europa, Midden-Oosten, Afrika, Australië, Nieuw-Zeeland, Singapore, Maleisië, Thailand, Indonesië, Filipijnen, Vietnam, Brunei, Sri Lanka, Bangladesh, India, Korea, Hongkong, Taiwan, China (Volksrepubliek)	Onderdelen en arbeid - 3 jaar	5

Typen garantieservice

Indien nodig verleent uw Serviceverlener reparatie- of vervangingservice, afhankelijk van het type garantieservice dat voor uw Machine in de bovenstaande tabel is aangegeven en zoals hieronder beschreven. Op welk moment de service wordt uitgevoerd, hangt af van het moment waarop u om service verzoekt en van de beschikbaarheid van onderdelen. De serviceniveaus geven doelstellingen voor de responstijd aan en worden niet gegarandeerd. Het is mogelijk dat het aangegeven niveau van garantieservice niet op alle locaties wereldwijd beschikbaar is en buiten de normale servicegebieden van Lenovo kunnen er aanvullende kosten in rekening worden gebracht. Neem voor informatie die specifiek is voor uw land of locatie contact op met uw plaatselijke Lenovo-vertegenwoordiger of uw wederverkoper.

1. Customer Replaceable Unit ("CRU") Service

Lenovo kan CRU's naar u verzenden voor installatie door u; CRU's uit groep 1 1 kunnen eenvoudig worden geïnstalleerd en voor CRU's uit groep 2 zijn bepaalde vaardigheden en gereedschappen nodig. Informatie over CRU's en vervangingsinstructies worden bij uw Machine geleverd en zijn altijd op verzoek bij Lenovo beschikbaar. U kunt een CRU door een Serviceverlener kosteloos laten installeren onder het type garantie dat voor uw Machine aangewezen is. Lenovo geeft in in de materialen die zijn geleverd met een vervangende CRU aan of een defecte CRU moet worden geretourneerd. Als retourneren vereist is, 1) worden retourinstructies en een container met de vervangende CRU gestuurd, en 2) kunnen er kosten in rekening worden gebracht voor de vervangende CRU als Lenovo de defecte CRU niet binnen 30 dagen na uw ontvangst van de vervanging heeft ontvangen.

2. Service op locatie

Uw Serviceverlener repareert of vervangt de defecte Machine op uw locatie en verifieert de werking van de vervangende Machine. U dient zorg te dragen voor een geschikte werkomgeving om de reparatiewerkzaamheden aan de Lenovo Machine mogelijk te maken. De omgeving moet schoon zijn, goed verlicht zijn en geschikt zijn voor dit doel. Voor bepaalde Machines kan het bij bepaalde reparaties noodzakelijk zijn de Machine naar een aangewezen servicecentrum te zenden.

3. Koeriers- of depotservice *

Ontkoppel de defecte Machine en laat deze door de Serviceverlener ophalen. Er wordt u verzendmateriaal verstrekt waarin u uw Machine kunt verzenden naar een aangegeven servicecentrum. Uw Machine wordt door een koerier bij u opgehaald en bij het aangegeven servicecentrum afgeleverd. Na reparatie of vervanging laat het servicecentrum de Machine afleveren op uw locatie. U bent verantwoordelijk voor installatie en voor verificatie van de werking.

4. Service na bezorging ("Customer Carry-In or Mail-In Service")

U draagt zorg voor het afleveren of verzenden zoals door de Serviceverlener aangegeven (franco, tenzij anders aangegeven) van de defecte Machine in een geschikte verpakking bij/naar een aangewezen locatie. Nadat de Machine is gerepareerd of vervangen, wordt de Machine gereed gemaakt om te worden opgehaald of, bij Mail-in Service, wordt de Machine aan u teruggezonden op kosten van Lenovo, tenzij uw Serviceverlener anders aangeeft. U bent verantwoordelijk voor de daaropvolgende installatie en verificatie van de Machine.

5. CRU- en On-site-service

Dit type Garantieservice is een combinatie van Type 1 en Type 2 (zie boven).

6. CRU- en Koeriers- of depotservice

Dit type Garantieservice is een combinatie van Type 1 en Type 3 (zie hierboven).

7. CRU-service en service na bezorging ("Customer Carry-In or Mail-In Service")

Dit type Garantieservice is een combinatie van Type 1 en Type 4 (zie hierboven).

Als er garantieservice van type 5, 6 of 7 wordt genoemd, bepaalt uw Serviceverlener welk type garantieservice van toepassing is op de reparatie.

* Dit type service wordt in bepaalde landen ThinkPad EasyServ of EasyServ genoemd.

Voor het verkrijgen van garantieservice neemt u contact op met een Serviceverlener. In Canada en de Verenigde Staten belt u met 1-800-426-7378. In andere landen zoekt u hieronder het telefoonnummer op.

Internationale lijst van telefoonnummers

Telefoonnummers kunnen zonder voorafgaand bericht worden gewijzigd. Voor de meest actuele telefoonnummers gaat u naar <http://www.lenovo.com/support/phone>.

Land of regio	Telefoonnummer
Afrika	Afrika: +44 (0)1475-555-055 Zuid-Afrika: +27-11-3028888 en 0800110756 Centraal Afrika: Neem contact op met de dichtstbijzijnde Lenovo Business Partner
Argentinië	0800-666-0011 (Spaans)
Australië	131-426 (Engels)
Oostenrijk	Gebruiksondersteuning: 01-24592-5901 Garantieservice en ondersteuning: 01-211-454-610 (Duits)
België	Gebruiksondersteuning: 02-210-9820 (Nederlands) Gebruiksondersteuning: 02-210-9800 (Frans) Garantieservice en ondersteuning: 02-225-3611 (Nederlands, Frans)
Bolivia	0800-10-0189 (Spaans)
Brazilië	Regio Sao Paulo: (11) 3889-8986 Buiten de regio Sao Paulo: 0800-701-4815 (Braziliaans Portugees)
Canada	Toronto: 416-383-3344 Buiten Toronto: 1-800-565-3344 (Engels, Frans)
Chili	800-361-213 of 188-800-442-488 Gratis (Spaans)
China	86-10-58851110 800-990-8888 (Mandarijn)
China (Hongkong S.A.R.)	ThinkCentre® Commerciële PC: 8205-0333 Multimedia Thuis-PC: 800-938-228 (Kantonees, Engels, Mandarijn)
China (Macau S.A.R.)	ThinkCentre (Hotline technische info): 0800-336 (Kantonees, Engels, Mandarijn)
Colombia	1-800-912-3021 (Spaans)
Costa Rica	0-800-011-1029 (Spaans)
Kroatië	0800-0426
Cyprus	+357-22-841100
Tsjechië	+420-2-7213-1316

Land of regio	Telefoonnummer
Denemarken	Gebruiksondersteuning: 4520-8200 Garantieservice en ondersteuning: 7010-5150 (Deens)
Dominicaanse Republiek	1-866-434-2080 (Spaans)
Ecuador	1-800-426911 (Spaans)
El Salvador	800-6264 (Spaans)
Estland	+372 6776793 +372 66 00 800
Finland	Gebruiksondersteuning: 09-459-6960 Garantieservice en ondersteuning: +358-800-1-4260 (Fins)
Frankrijk	Gebruiksondersteuning: 0238-557-450 Garantieservice en ondersteuning (hardware): 0810-631-213 Garantieservice en ondersteuning (software): 0810-631-020 (Frans)
Duitsland	Gebruiksondersteuning: 07032-15-49201 Garantieservice en ondersteuning: 01805-25-35-58 (Duits)
Griekenland	+30-210-680-1700
Guatemala	1800-624-0051 (Spaans)
Honduras	Tegucigalpa: 232-4222 San Pedro Sula: 552-2234 (Spaans)
Hongarije	+36-1-382-5720
India	1800-425-6666 +91-80-2678-8970 (Engels)
Indonesië	800-140-3555 (Engels) 62-21-251-2955 (Bahasa Indonesia)
Ierland	Gebruiksondersteuning: 01-815-9202 Garantieservice en ondersteuning: 01-881-1444 (Engels)
Israël	Service Center Givat Shmuel: +972-3-531-3900 (Hebreeuws, Engels)
Italië	Gebruiksondersteuning: 02-7031-6101 Garantieservice en ondersteuning: +39-800-820094 (Italiaans)

Land of regio	Telefoonnummer
Japan	Gratis: 0120-20-5550 Internationaal: +81-46-266-4716 Bovenstaande nummers worden in het Japans aangenomen. Voor telefonische ondersteuning in het Engels kunt u wachten tot de Japanse stem uitgesproken is en een telefonist(e) het gesprek overneemt. Spreek de woorden "English support please"; u wordt dan doorverbonden met een Engels-sprekende telefonist(e). Computersoftware: 0120-558-695 Internationaal: +81-44-200-8666 (Japans)
Korea	1588-5801 (Koreaans)
Letland	+386-61-1796-699
Litouwen	+386-61-1796-699
Luxemburg	+352-298-977-5063 (Frans)
Maleisië	1800-88-8558 (Engels, Bahasa, Maleis)
Malta	+356-23-4175
Mexico	001-866-434-2080 (Spaans)
Midden-Oosten	+44 (0)1475-555-055
Nederland	+31-20-514-5770 (Nederlands)
Nieuw-Zeeland	0800-733-222 (Engels)
Nicaragua	001-800-220-1830 (Spaans)
Noorwegen	Gebruiksondersteuning: 6681-1100 Garantieservice en ondersteuning: 8152-1550 (Noors)
Panama	001-866-434-2080 (Gratis) 206-6047 (Spaans)
Peru	0-800-50-866 (Spaans)
Filippijnen	1800-1888-1426 (Engels) 63-2-995-8420 (Filipino)
Polen	+48-22-878-6999
Portugal	+351-21-892-7147 (Portugees)
Roemenië	+4-021-224-4015
Rusland	+7-495-258-6300 +8-800-200-6300 (Russisch)
Singapore	1800-3172-888 (Engels, Bahasa Melayu)
Slowakije	+421-2-4954-1217

Land of regio	Telefoonnummer
Slovenië	+386-1-4796-699
Spanje	91-714-7983 0901-100-000 (Spaans)
Sri Lanka	+9411 2493547 +9411 2493548 (Engels)
Zweden	Gebruiksondersteuning: 08-477-4420 Garantieservice en ondersteuning: 077-117-1040 (Zweeds)
Zwitserland	Gebruiksondersteuning: 058-333-0900 Garantieservice en ondersteuning: 0800-55-54-54 (Duits, Frans, Italiaans)
Taiwan	886-2-8723-9799 0800-000-700 (Mandarijn)
Thailand	1-800-299-229 (Thai)
Turkije	00800-4463-2041 (Turks)
Verenigd Koninkrijk	Gebruiksondersteuning: 01475-555-055 Garantieondersteuning: 08705-500-900 (Engels)
Verenigde Staten	1-800-426-7378 (Engels)
Uruguay	000-411-005-6649 (Spaans)
Venezuela	0-800-100-2011 (Spaans)
Vietnam	Noordelijke regio en Hanoi: 84-4-843-6675 Zuidelijke regio en Ho Chi Minh Stad: 84-8-829-5160 (Engels, Vietnamees)

Garantiesupplement voor Mexico

Dit supplement vormt een onderdeel van de Lenovo Verklaring van Bepaalde garantie en is alleen en exclusief van kracht voor producten die worden gedistribueerd en verhandeld binnen het gebied van Mexico. In geval van tegenstrijdigheid zijn de voorwaarden van dit supplement van toepassing.

Voor alle softwareprogramma's die vooraf geïnstalleerd op de machine worden geleverd, geldt een garantieperiode van dertig (30) dagen vanaf de datum van aanschaf voor installatiedefecten. Lenovo is niet verantwoordelijk voor de gegevens in dergelijke software en/of aanvullende programma's die door u zijn geïnstalleerd of na de aanschaf van het product zijn geïnstalleerd.

Service die niet door de garantie wordt gedekt, wordt in rekening gebracht aan de laatste gebruiker.

In geval dat er reparatie onder garantie vereist is, belt u met het Customer Support Center op 001-866-434-2080, waar u wordt verwezen naar het dichtstbijzijnde Geautoriseerde Servicecentrum. Als er in uw stad of locatie of binnen 70 kilometer buiten uw stad of locatie geen Geautoriseerd Servicecentrum is, dekt de garantie ook redelijke bezorgkosten die verband houden met het vervoer van het product naar het dichtstbijzijnde Geautoriseerde Servicecentrum. Neem contact op met het dichtstbijzijnde Authorized Service Center voor het verkrijgen van de vereiste goedkeuring en voor informatie met betrekking tot de verzending van het product en het bestemmingsadres.

Een lijst van Geautoriseerde Servicecentra vindt u op: <http://www.lenovo.com/mx/es/servicios>

Gemaakt door:

SCI Systems de México, S.A. de C.V.
Av. De la Solidaridad Iberoamericana No. 7020
Col. Club de Golf Atlas
El Salto, Jalisco, México
C.P. 45680,
Tel. 01-800-3676900

Marketing door:

Lenovo de México, Comercialización y
Servicios, S. A. de C. V.
Alfonso Nápoles Gándara No 3111
Parque Corporativo de Peña Blanca
Delegación Álvaro Obregón
México, D.F., México
C.P. 01210,
Tel. 01-800-00-325-00

Hoofdstuk 4. Door de klant vervangbare onderdelen (CRU's)

CRU's (Customer Replaceable Units) zijn onderdelen van de computer die door de gebruiker kunnen worden geüpgraded of vervangen. Er zijn twee soorten CRU's: die uit groep 1 en die uit groep 2. CRU's uit groep 1 kunnen eenvoudig worden geïnstalleerd, terwijl er voor CRU's uit groep 2 bepaalde vaardigheden en gereedschappen nodig zijn.

In het *Handboek voor de gebruiker* en de *Gids voor het vervangen van hardware* vindt u instructies voor het vervangen van CRU's van zowel groep 1 als groep 2. In de volgende tabel kunt u opzoeken welke publicatie de instructies bevat waarnaar u op zoek bent.

Om deze publicatie te openen, opent u het menu Start, selecteert u **Alle programma's** en **Online boeken** en klikt u op **Online boeken**. Dubbelklik op de gewenste publicatie voor uw machinetype. Voor meer informatie over het openen van het *Handboek voor de gebruiker* en de *Gids voor het vervangen van hardware* raadpleegt u "Map Online Boeken" op pagina 339. Deze publicaties zijn ook aanwezig op de Lenovo-website, op <http://www.lenovo.com>.

Opmerking: Gebruik uitsluitend onderdelen die door Lenovo zijn verstrekt. Zie Hoofdstuk 3, "Lenovo Verklaring van Beperkte Garantie", op pagina 343 voor informatie over de garantie die van toepassing is op CRU's voor uw machinetype.

6490, 8700, 8701, 8705, 8717, 8973, 8975, 8979, 8983, 8985, 8991, 8995, 9265, 9269, 9277, 9279, 9283, 9287, 9379, 9383, 9387, 9389, 9631, 9635, 9637, 9646, 9648, 9694		
	Handboek voor de gebruiker	Gids voor het vervangen van hardware
CRU's van Laag 1		
Optische-schijfstation	x	x
Vaste schijf	x	x
Geheugen	x	x
Muis	x	x
Toetsenbord	x	x
Adapterkaarten	x	x
CRU's van Laag 2		
Diskettestation	x	x
Koelelement		x
Voedingseenheid		x

6490, 8700, 8701, 8705, 8717, 8973, 8975, 8979, 8983, 8985, 8991, 8995, 9265, 9269, 9277, 9279, 9283, 9287, 9379, 9383, 9387, 9389, 9631, 9635, 9637, 9646, 9648, 9694		
	Handboek voor de gebruiker	Gids voor het vervangen van hardware
Systeemventilator		x

6491, 8013, 8702, 8706, 8716, 8970, 8972, 8976, 8980, 8982, 8986, 8992, 8994, 9266, 9276, 9278, 9282, 9286, 9288, 9374, 9378, 9380, 9384, 9628, 9632, 9647, 9649, 9695		
	Handboek voor de gebruiker	Gids voor het vervangen van hardware
CRU's van Laag 1		
Muis	x	x
Toetsenbord	x	x
Adapterkaarten	x	x
CRU's van Laag 2		
Optische-schijfstation	x	x
Vaste schijf	x	x
Diskettestation	x	x
Geheugen	x	x
Koelement		x
Systeemventilator		x

Machinetypen: 9636, 9638, 9640, 9641, 9642, 9643, 9644, 9645		
	Handboek voor de gebruiker	Gids voor het vervangen van hardware
CRU's van Laag 1		
Toetsenbord	x	x
Muis	x	x
Vaste schijf	x	x
Geheugen	x	x
Adapterkaarten	x	x
Luidspreker	x	x
Optische-schijfstation	x	x
Diskettestation	x	x
CRU's van Laag 2		
Koelement		x
System board		x

Machinetypen: 9636, 9638, 9640, 9641, 9642, 9643, 9644, 9645		
	Handboek voor de gebruiker	Gids voor het vervangen van hardware
Voedingseenheid		x
Systeemventilatoren		x

Hoofdstuk 5. Kennisgevingen

Mogelijk brengt Lenovo de in dit document genoemde producten, diensten of voorzieningen niet uit in alle landen. Neem contact op met uw plaatselijke Lenovo-vertegenwoordiger voor informatie over de producten en diensten die in uw regio beschikbaar zijn. Verwijzing in deze publicatie naar producten of diensten van Lenovo houdt niet in dat uitsluitend Lenovo-producten of -diensten gebruikt kunnen worden. Functioneel gelijkwaardige producten of diensten kunnen in plaats daarvan worden gebruikt, mits dergelijke producten of diensten geen inbreuk maken op intellectuele eigendomsrechten of andere rechten van Lenovo. De gebruiker is verantwoordelijk voor het vaststellen van de mate van samenwerking met producten, programma's of diensten van anderen.

Mogelijk heeft Lenovo octrooien of octrooi-aanvragen met betrekking tot bepaalde in deze publicatie genoemde producten. Aan het feit dat deze publicatie aan u ter beschikking is gesteld, kan geen recht op licentie of ander recht worden ontleend. Vragen over licenties kunt u schriftelijk richten aan:

*Lenovo (United States), Inc.
1009 Think Place - Building One
Morrisville, NC 27560
U.S.A.
Attention: Lenovo Director of Licensing*

LENOVO LEVERT DEZE PUBLICATIE OP "AS IS"-BASIS, ZONDER ENIGE GARANTIE, UITDRUKKELIJK NOCH STILZWIJGEND, MET INBEGRIIP VAN, MAAR NIET BEPERKT TOT, DE GARANTIES OF VOORWAARDEN VAN HET GEEN INBREUK MAKEN OP RECHTEN VAN DERDEN, VERHANDELBAARHEID OF GESCHIKTHEID VOOR EEN BEPAALD DOEL. In sommige rechtsgebieden is het uitsluiten van stilzwijgende garanties niet toegestaan, zodat bovenstaande uitsluiting mogelijk niet op u van toepassing is.

In dit boek kunnen technische onjuistheden en/of tyfouten voorkomen. De informatie in deze publicatie is onderhevig aan wijzigingen. Wijzigingen zullen in nieuwe uitgaven van deze publicatie worden opgenomen. Lenovo kan de producten en/of programma's die in deze publicatie worden beschreven zonder aankondiging wijzigen en/of verbeteren.

De producten die in dit document worden beschreven, zijn niet bedoeld voor gebruik bij implantaties of andere levensondersteunende toepassingen waarbij storingen kunnen leiden tot letsel of overlijden. De informatie in dit document heeft geen invloed op Lenovo-productspecificaties of -garanties en wijzigt die niet. Niets in dit document doet dienst als uitdrukkelijke of stilzwijgende licentie of vrijwaring onder de intellectuele eigendomsrechten van Lenovo of der-

den. Alle informatie in dit document is afkomstig van specifieke omgevingen en wordt hier uitsluitend ter illustratie afgebeeld. In andere gebruiksomgevingen kan het resultaat anders zijn.

Lenovo behoudt zich het recht voor om door u verstrekte informatie te gebruiken of te distribueren op iedere manier die zij relevant acht, zonder dat dit enige verplichting voor Lenovo jegens u schept.

Verwijzingen in deze publicatie naar andere dan Lenovo-websites zijn uitsluitend opgenomen ter volledigheid en gelden op geen enkele wijze als aanbeveling voor die websites. Het materiaal op dergelijke websites maakt geen deel uit van het materiaal voor dit Lenovo-product. Gebruik van dergelijke websites is geheel voor eigen risico.

Alle hierin opgenomen prestatiegegevens zijn verkregen in een gecontroleerde omgeving. De resultaten in andere gebruiksomgevingen kunnen aanzienlijk afwijken. Bepaalde metingen zijn mogelijk verricht aan systemen die nog in de ontwikkelingsfase verkeerden, en er is geen garantie dat de resultaten hiervan gelijk zijn aan die van algemeen verkrijgbare systemen. Ook is het mogelijk dat sommige metingen schattingen zijn die door extrapolatie zijn verkregen. De feitelijke resultaten kunnen hiervan afwijken. Gebruikers van dit document dienen de toepasselijke gegevens voor hun specifieke omgeving te controleren.

Kennisgeving televisieuitvoer

De volgende kennisgeving heeft betrekking op modellen die over de door de fabriek geïnstalleerde functie voor televisieuitvoer beschikken.

Dit product bevat technologie voor de bescherming van copyright en wordt beschermd door methodeclaims van bepaalde Amerikaanse octrooien en andere intellectuele-eigendomsrechten die eigendom zijn van Macrovision Corporation en andere rechthebbenden. Het gebruik van deze technologie voor de bescherming van copyright moet worden geautoriseerd door Macrovision Corporation, en is alleen bedoeld voor thuisgebruik en ander gebruik in beperkte kring, tenzij het gebruik op andere wijze door Macrovision Corporation is geautoriseerd. Reverse engineering en disassembly zijn verboden.

Handelsmerken

De volgende termen zijn handelsmerken van Lenovo in de Verenigde Staten en/of andere landen:

- Lenovo
- Rescue and Recovery
- ThinkCentre
- ThinkPad

ThinkVantage

IBM is een handelsmerk van International Business Machines Corporation in de Verenigde Staten, in andere landen of in beide.

Andere namen van ondernemingen, producten en diensten kunnen handelsmerken zijn van derden.

Elektronische emissie

De volgende informatie is van toepassing op Lenovo personal computers met de machinetypen: 6490, 6491, 8013, 8700, 8701, 8702, 8705, 8706, 8716, 8717, 8970, 8972, 8973, 8975, 8976, 8979, 8980, 8982, 8983, 8985, 8986, 8991, 8992, 8994, 8995, 9265, 9266, 9269, 9276, 9277, 9278, 9279, 9282, 9283, 9286, 9287, 9288, 9374, 9378, 9379, 9380, 9383, 9384, 9387, 9389, 9628, 9631, 9632, 9635, 9636, 9637, 9638, 9640, 9641, 9642, 9643, 9644, 9645, 9646, 9647, 9648, 9649, 9694, 9695.

Verklaring van de Federal Communications Commission (FCC)

Uit tests is gebleken dat deze apparatuur voldoet aan de beperkingen die in Deel 15 van de FCC Rules worden opgelegd aan digitale apparaten van Klasse B. Deze beperkingen zijn bedoeld om in een woonomgeving een redelijke mate van bescherming te bieden tegen hinderlijke interferentie. Deze apparatuur genereert, gebruikt en verzendt energie op radiofrequenties en kan, bij installatie en gebruik anders dan conform de instructies, hinderlijke interferentie met radiografische communicatie veroorzaken. Er bestaat echter geen garantie dat in een bepaalde installatie geen interferentie zal optreden. Als deze apparatuur toch hinderlijke interferentie in de radio- of televisieontvangst veroorzaakt, hetgeen kan worden bepaald door de apparatuur uit en in te schakelen, dan kan de gebruiker met behulp van een van de volgende maatregelen proberen de interferentie op te heffen:

- De ontvangstantenne verstellen of verplaatsen.
- De afstand tussen de apparatuur en de ontvanger vergroten.
- De apparatuur aansluiten op een stopcontact van een ander circuit dan het circuit waarop de ontvanger is aangesloten.
- Neem voor hulp contact op met een geautoriseerde dealer of een elektro-technisch installatiebureau.

Lenovo is niet verantwoordelijk voor interferentie met radio- of televisieontvangst die veroorzaakt wordt door andere dan de aanbevolen kabels of stekkers of door niet-geautoriseerde wijzigingen aan deze apparatuur. Bij niet-geautoriseerde wijzigingen kan het recht van de gebruiker om de apparatuur te gebruiken komen te vervallen.

Dit apparaat voldoet aan Deel 15 van de FCC Rules. Aan het gebruik ervan worden de volgende twee voorwaarden gesteld: (1) dit apparaat mag geen hinderlijke interferentie veroorzaken, en (2) dit apparaat moet elke ontvangen interferentie accepteren, met inbegrip van interferentie die een ongewenste werking kan veroorzaken.

Verantwoordelijke partij:

Lenovo (United States) Inc.
One Manhattanville Road
Purchase, New York 10577
Telefoon: (919) 254-5900



Tested To Comply
With FCC Standards

FOR HOME OR OFFICE USE

Verklaring van conformiteit met industriële emissierichtlijn Canada Klasse B

Dit digitale apparaat van Klasse B voldoet aan de Canadese richtlijn ICES-003.

Verklaring van conformiteit met EU-richtlijnen

Dit product voldoet aan de voorwaarden voor bescherming zoals opgenomen in EU-richtlijn 89/336/EU van de Europese Commissie inzake de harmonisering van de wetgeving van Lidstaten met betrekking tot elektromagnetische compatibiliteit. Lenovo aanvaardt geen verantwoordelijkheid voor het niet voldoen aan deze voorwaarden voor bescherming als dit het gevolg is van het doorvoeren van een niet aanbevolen wijziging aan het product, inclusief het aanbrengen van optiekaarten van andere fabrikanten.

Uit tests is gebleken dat dit product voldoet aan de eisen voor IT-apparatuur van Klasse B conform CISPR 22/Europese Standaard EN 55022. De beperkingen voor apparatuur van Klasse B zijn bedoeld om in woonomgevingen een redelijke bescherming te bieden tegen interferentie met goedgekeurde communicatieapparatuur.

Korea: Kennisgeving Klasse B

이 기기는 가정용으로 전자파 적합등록을 한 기기로서
주거지역에서는 물론 모든 지역에서 사용할 수 있습니다.

Japan: Kennisgeving VCCI-klasse B

この装置は、情報処理装置等電波障害自主規制協議会（VCCI）の基準に基づくクラスB情報技術装置です。この装置は、家庭環境で使用することを目的としていますが、この装置がラジオやテレビジョン受信機に近接して使用されると、受信障害を引き起こすことがあります。
取扱説明書に従って正しい取り扱いをして下さい。

Japan: Naleving voor producten met maximaal 20A per fase

高調波電流規格 JIS C 61000-3-2 適合品

Taiwan: Informatie over Lenovo productservice

台灣 Lenovo 產品服務資訊如下：
荷蘭商思惟電腦產品股份有限公司台灣分公司
台北市信義區信義路五段七號十九樓之一
服務電話：0800-000-700

Vereisten van de Federal Communications Commission (FCC) en telefoonmaatschappijen

1. Dit apparaat voldoet aan Deel 68 van de FCC Rules. Op dit apparaat is een etiket bevestigd dat, onder andere, het FCC registratienummer, USOC en REN (Ringer Equivalency Number) voor deze apparatuur vermeldt. Mocht uw telefoonmaatschappij naar deze nummers vragen, dan dient u ze te verstrekken.

Opmerking: Als het apparaat een interne modem is, wordt er nog een tweede FCC registratie-etiket bijgeleverd. U kunt dit etiket bevestigen op de buitenkant van de computer waarin u de Lenovo-modem installeert, of aan de externe DAA, indien van toepassing. Bevestig het etiket op een plaats waar u het gemakkelijk kunt zien, dit voor het geval u de op het etiket vermelde gegevens moet doorgeven aan de telefoonmaatschappij.

2. Het REN is nuttig om te bepalen hoeveel apparaten u op uw telefoonlijn kunt aansluiten zonder dat u het risico loopt dat een of meer van die apparaten niet overgaat ("rinkelt") als uw nummer wordt gebeld. In de meeste, maar niet alle, gebieden mag de som van het aantal REN's van alle appara-

ten niet groter zijn dan vijf (5). Voor het maximum aantal apparaten dat u op uw telefoonlijn kunt aansluiten, zoals bepaald door de REN, dient u contact op te nemen met uw telefoonmaatschappij.

3. Als het apparaat schade aanricht aan het telefoonnet, kan de telefoonmaatschappij de dienstverlening aan u opschorten. De telefoonmaatschappij zal u, indien mogelijk, vooraf op de hoogte stellen; indien dit echter niet haalbaar is, wordt u zo snel mogelijk op de hoogte gesteld. U wordt gewezen op uw recht om een klacht te deponeren bij de FCC.
4. Uw telefoonmaatschappij kan wijzigingen aanbrengen in haar faciliteiten, apparatuur, werking of procedures die van invloed kunnen zijn op de juiste werking van uw apparatuur. In dat geval wordt u vooraf op de hoogte gesteld om u de gelegenheid te bieden ononderbroken van de dienstverlening gebruik te blijven maken.
5. Als u problemen ondervindt met dit product, kunt u contact opnemen met een geautoriseerde wederverkoper of het Customer Support Center bellen. In de Verenigde Staten belt u op **1-800-426-7378**. In Canada kunt u bellen op **1-800-565-3344**. U kan worden gevraagd uw aankoopbewijs te tonen. De telefoonmaatschappij kan het apparaat ook van het netwerk afsluiten totdat het probleem is verholpen, of totdat u er zeker van bent dat het apparaat naar behoren functioneert.
6. Het apparaat kan niet door de klant zelf worden gerepareerd. In geval van problemen met het apparaat kunt u voor informatie contact opnemen met uw geautoriseerde wederverkoper, of het gedeelte over het oplossen in deze handleiding raadplegen.
7. Dit apparaat mag niet worden gebruikt in combinatie met munt-telefoondiensten die de telefoonmaatschappij aanbiedt. Bij aansluiting op partijlijnen is er een staatstarief van toepassing. Voor informatie kunt u contact opnemen met de staatscommissie voor openbare nutsbedrijven of met uw bedrijfscommissie.
8. Bij het bestellen van netwerkinterfacediensten van de plaatselijke Exchange Carrier dient u melding te maken van serviceregeling USOC RJ11C.

Waarmerk van het Canadian Department of Communications

KENNISGEVING: Het etiket van Industry Canada geeft gewaarmerkte apparatuur aan. Dit waarmerk betekent dat de apparatuur voldoet aan de beschermings-, werkings- en veiligheidseisen voor telecommunicatienetwerken zoals voorgeschreven in de van toepassing zijnde Terminal Equipment Technical Requirements-documenten. Het Department garandeert niet dat de apparatuur zal functioneren naar tevredenheid van de gebruiker.

Alvorens dit apparaat te installeren, dient de gebruiker te controleren of het mag worden aangesloten op de faciliteiten van de plaatselijke telecommunicatiemaatschappij. De apparatuur moet op een acceptabele manier worden aangesloten. De klant dient er echter rekening mee te houden dat, ook

indien het bovenstaande in acht wordt genomen, de kwaliteit van de service in bepaalde situaties achteruit kan gaan. Reparatie aan gewaarmerkte apparatuur dient te worden uitgevoerd door een door de leverancier aangewezen technicus. Alle reparaties of veranderingen die de gebruiker aan deze apparatuur heeft aangebracht, of defecten aan de apparatuur, kunnen de telefoonmaatschappij aanleiding geven de gebruiker te verzoeken om de apparatuur af te sluiten.

Voor uw eigen veiligheid dient u ervoor te zorgen dat de aardeaansluitingen van netstroomleidingen, telefoonlijnen en metalen waterleidingen (indien aanwezig) met elkaar in verbinding staan. Deze voorzorgsmaatregel is vooral van belang in landelijke gebieden.

Waarschuwing: Probeer deze verbindingen niet zelf aan te leggen; raadpleeg een elektricien of installatiebedrijf.

KENNISGEVING: Het REN (Ringer Equivalence Number) dat aan elk terminalapparaat is toegekend, geeft een indicatie van het maximum aantal terminals dat op de telefoonlijn mag worden aangesloten. Als terminator voor de lijn kan elke willekeurige combinatie van apparaten dienen, waarbij als beperking uitsluitend geldt dat de som van het aantal REN's niet groter mag zijn dan 5.

Kennisgevingen voor het netsnoer

Lenovo levert bij dit product een netsnoer voorzien van een stekker met randaarde. Ter voorkoming van een elektrische schok dient u dit netsnoer alleen te gebruiken in combinatie met een stopcontact met randaarde.

Gebruik bij een netspanning van 115 V een netsnoer dat is geregistreerd door UL en gewaarmerkt door de CSA, met drie koperen aders met een doorsnede van minimaal 0,82 mm (18 AWW), een lengte van maximaal 5 meter en een gearde stekker voor 125 V die geschikt is voor 15 A.

Gebruik bij een netspanning van 230 V (in de Verenigde Staten) een netsnoer dat is geregistreerd door UL en gewaarmerkt door de CSA, met drie koperen aders met een doorsnede van minimaal 0,82 mm (18 AWG), een lengte van maximaal 5 meter en een gearde stekker voor 250 V die geschikt is voor 15 A.

Gebruik bij een netspanning van 230 V (buiten de Verenigde Staten) een netsnoer met een aangepaste, gearde stekker. De combinatie van netsnoer en stekker dient goedgekeurd te zijn voor gebruik in het land waarin de apparatuur wordt geïnstalleerd.

Netsnoeren die door Lenovo zijn geleverd voor een bepaald land of regio zijn gewoonlijk alleen in dat land verkrijgbaar.

Bij gebruik in Duitsland dient u een goedgekeurd netsnoer te gebruiken. In Duitsland dient dit H05VV-F, 3G, 0,75 mm² of beter te zijn. In andere landen moeten dienovereenkomstig geschikte netsnoeren worden gebruikt.

Onderdeelnr. netsnoer	Wordt gebruikt in deze landen en regio's
24R2633	Japan
39M5067	Argentinië, Paraguay, Uruguay
39M5080	Antigua en Barbuda, Aruba, Bahama's, Barbados, Belize, Bermuda, Bolivia, Canada, Caymaneilanden, Costa Rica, Colombia, Cuba, Dominicaanse Republiek, Ecuador, El Salvador, Guam, Guatemala, Haïti, Honduras, Jamaica, Mexico, Micronesië (Federale Staten van), Nederlandse Antillen, Nicaragua, Panama, Peru, Filippijnen, Saudi-Arabië, Thailand, Taiwan, Turks- en Caïcoseilanden, Verenigde Staten, Venezuela
39M5102	Australië, Nieuw-Zeeland
39M5122	Afghanistan, Albanië, Algerije, Andorra, Angola, Armenië, Azerbeïdzjan, Wit-Rusland, België, Benin, Bosnië en Herzegovina, Bulgarije, Burkina Faso, Burundi, Cambodja, Centraal-Afrikaanse Republiek, Comoren, Kongo (Democratische Republiek), Kongo (Republiek), Ivoorkust, Dahomey, Djibouti, Duitsland, Egypte, Equatoriaal-Guinea, Eritrea, Estland, Ethiopië, Finland, Frankrijk, Frans Guyana, Frans Polynesië, Gabon, Georgië, Griekenland, Guadeloupe, Guinea, Guinee Bissau, Hongarije, IJsland, Indonesië, Iran, Joegoslavië (Federale Republiek), Kaapverdië, Kameroen, Kazachstan, Kirgizstan, Kroatië, Laos, Letland, Libanon, Litouwen, Luxemburg, Macedonië (Voormalige Joegoslavische Republiek), Madagaskar, Mali, Marokko, Martinique, Mauritanië, Mauritius, Mayotte, Moldova, Monaco, Mongolië, Mozambique, Nederland, Nieuw-Caledonië, Niger, Noorwegen, Oekraïne, Oezbekistan, Oostenrijk, Opper Volta, Polen, Portugal, Réunion, Roemenië, Russische Federatie, Rwanda, Sao Tome en Principe, Saoedi-Arabië, Senegal, Servië, Slowakije, Slovenië, Somalië, Spanje, Suriname, Zweden, Syrië, Tadzjikistan, Tsaad, Tsjechië, Tunesië, Turkije, Turkmenistan, Wallis en Futuna, Joegoslavië (Federale Republiek), Zaïre
39M5129	Denemarken
39M5143	Bangladesh, Lesotho, Macao (S.A.R. van China), Malediven, Namibië, Nepal, Pakistan, Samoa, Zuid-Afrika, Sri Lanka, Swaziland, Oeganda

Onderdeelnr. netsnoer	Wordt gebruikt in deze landen en regio's
39M5150	Abu Dhabi, Australië, Bahrein, Botswana, Brunei Darussalam, Kanaaleilanden, Cyprus, Dominica, Fiji, Gambia, Ghana, Granada, Guyana, Hongkong S.A.R van China, Irak, Ierland, Jordanië, Kenia, Kiribati, Koeweit, Liberia, Malawi, Maleisië, Malta, Myanmar (Birma), Nauru, Nieuw-Zeeland, Nigeria, Oman, Katar, Saint Kitts en Nevis, Papoea-Nieuw-Guinea, Saint Lucia, Saint Vincent en de Grenadines, Seychellen, Sierra Leone, Singapore, Soedan, Tanzania (Verenigde Republiek), Trinidad & Tobago, Verenigde Arabische Emiraten (Dubai), Verenigd Koninkrijk, Jemen, Zambia, Zimbabwe
39M5151	Hongkong S.A.R. van China, Korea
39M5157	Liechtenstein, Zwitserland
39M5164	Chili, Italië, Libië
39M5171	Israël
39M5205	China
39M5212	Korea
39M5232	Brazilië
39M5246	Taiwan
41R3175	India

Kennisgeving voor PVC-kabels en -snoeren

WAARSCHUWING: Als u in aanraking komt met het snoer van dit product of snoeren van accessoires die voor dit product worden verkocht, kunt u blootgesteld worden aan lood; lood wordt in de staat Californië beschouwd als kankerverwekkend, en als veroorzaker van geboortefwijkingen of andere reproductieve schade. *Was daarom uw handen nadat u de kabels hebt aangeraakt.*

WEEE-kennisgevingen (Waste Electrical and Electronic Equipment)

Lenovo moedigt eigenaren van IT-apparatuur aan om hun apparatuur, wanneer deze niet meer nodig is, op een verantwoorde manier te laten recyclen. Lenovo kent een veelheid aan programma's en services om eigenaren te helpen bij de recycling van hun IT-producten. Informatie over recycling van producten is te vinden op de Lenovo-website op <http://www.pc.ibm.com/ww/lenovo/about/environment/>.

WEEE-verklaring voor de Europese Unie (EU)

Het WEEE-merkteken geldt alleen voor landen binnen de Europese Unie (EU) en Noorwegen. Apparaten worden van een merkteken voorzien overeenkomstig Europese Richtlijn 2002/96/EC inzake afgedankte elektrische en elektronische apparatuur (waste electrical and electronic equipment, WEEE). Deze richtlijn stelt het raamwerk vast voor het retourneren en recyclen van gebruikte apparatuur, zoals van toepassing binnen de Europese Unie. Dit merkteken wordt aangebracht op diverse producten om aan te geven dat het product in kwestie niet dient te worden weggegooid, maar dat het aan het eind van de levenscyclus krachtens deze Richtlijn dient te worden geretourneerd.

Gebruikers van elektrische en elektronische apparaten (EEE) welke zijn voorzien van het WEEE-merkteken zijn gehouden aan Annex IV van de WEEE Richtlijn en mogen gebruikte EEE niet weggooien als ongesorteerd afval, maar dienen voor het teruggeven, recyclen en terugwinnen van WEEE gebruik te maken van het inzamelproces dat voor hen beschikbaar is, en dienen de mogelijke effecten die EEE ten gevolge van de aanwezigheid van schadelijke stoffen kunnen hebben op het milieu en de volksgezondheid, tot een minimum te beperken. Voor meer informatie over WEEE gaat u naar:
<http://www.lenovo.com/lenovo/environment>.

Recyclingverklaring voor Japan

Ophalen en recyclen van een Lenovo-computer of -monitor die niet meer wordt gebruikt

Als u werknemer bent en een Lenovo-computer of -monitor wilt wegdoen die eigendom is van het bedrijf, dient u te handelen overeenkomstig de Wet ter Bevordering van het Effectief Gebruik van Hulpbronnen. Computers en beeldschermen worden aangemerkt als industrieel afval en moeten op de juiste wijze worden afgeleverd bij een daarvoor bestemd afvalpunt dat is aangewezen door de lokale overheid. Overeenkomstig de Wet ter Bevordering van het Effectief Gebruik van Hulpbronnen draagt Lenovo Japan via de PC Collecting and Recycling Services zorg voor inzameling en hergebruik van oude computers en monitors. Meer informatie vindt u op de Lenovo-website op www.ibm.com/jp/pc/service/recycle/pcrecycle/

Ingevolge de Wet ter Bevordering van het Effectief Gebruik van Hulpbronnen is op 1 oktober 2003 een begin gemaakt met het ophalen en recyclen van thuis gebruikte computers en monitors. Deze wordt gratis verleend voor thuis gebruikte computers die zijn verkocht na 1 oktober 2003. Kijk voor meer informatie op de Lenovo-website op www.ibm.com/jp/pc/service/recycle/personal/.

Een onderdeel van een Lenovo-computer weggooien

Bepaalde Lenovo computerproducten die in Japan worden verkocht, bevatten componenten die zware metalen en andere milieu-onvriendelijke stoffen. Volg bij het weggooien van gebruikte componenten, zoals printplaten of schijfstations, de bovenbeschreven methode voor inzameling en recycling van gebruikte computers en monitors.

Gebruikte lithiumbatterijen uit een Lenovo-computer weggooien

Er bevindt zich een kleine ronde batterij op de systeemplaat van uw Lenovo-computer om de klok van de computer bij te houden wanneer de computer uit staat of de stekker niet in het stopcontact zit. Als u deze batterij wilt vervangen door een nieuwe, moet u contact opnemen met uw verkooppunt of met een door Lenovo geboden herstelservice. Mocht u de batterij zelf hebben vervangen en de oude lithiumbatterij willen weggooien, isoleer deze dan met vinyltape, neem contact op met de plaats van aanschaf en volg hun instructies. Als u thuis een Lenovo-computer gebruikt en de lithiumbatterij wilt weggooien, moet u ook de regels van de lokale overheden naleven.

ThinkCentre®

Part Number: 43C2484

Printed in USA

(1P) P/N: 43C2484

