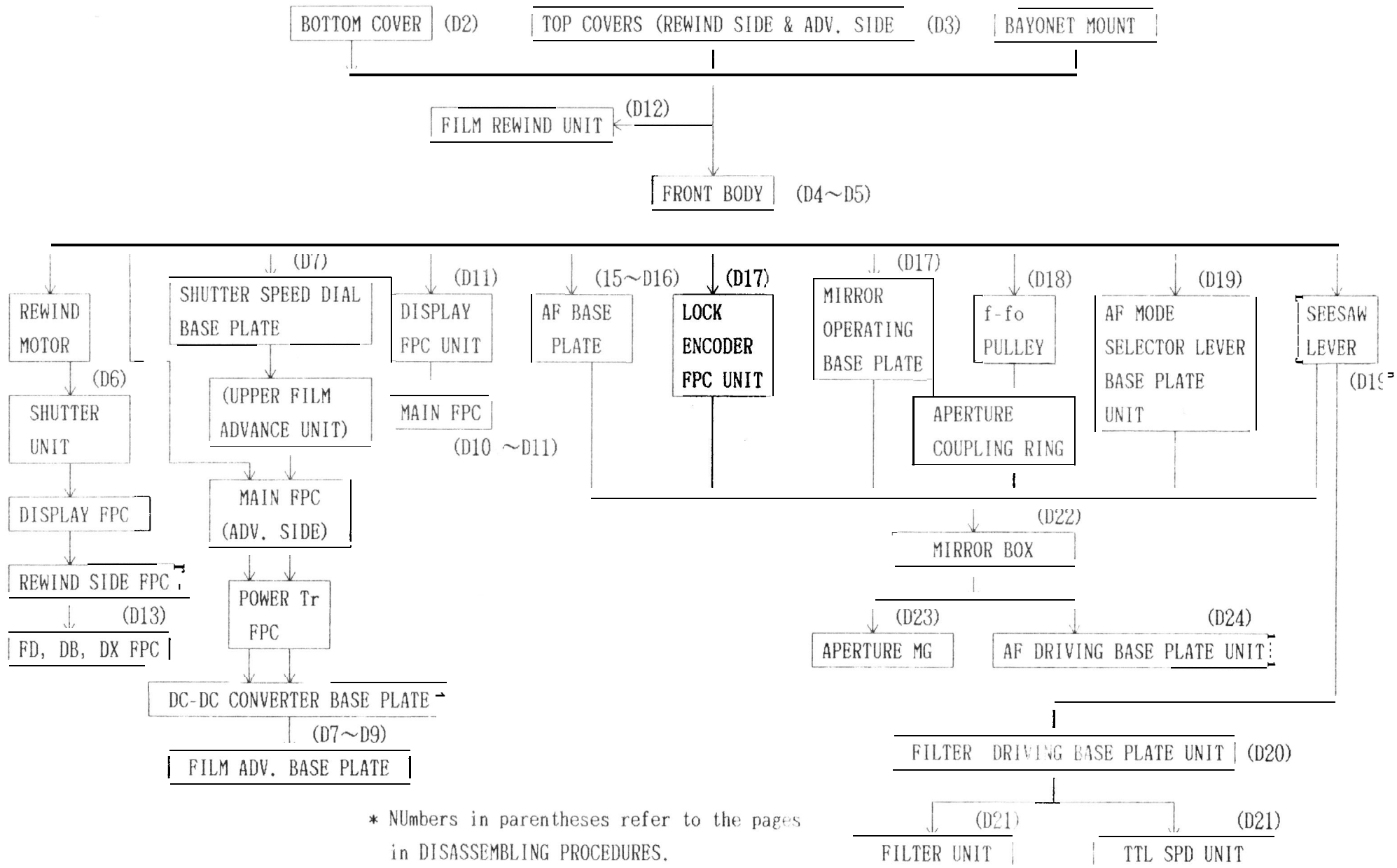


1. DISASSEMBLING PROCEDURE CHART

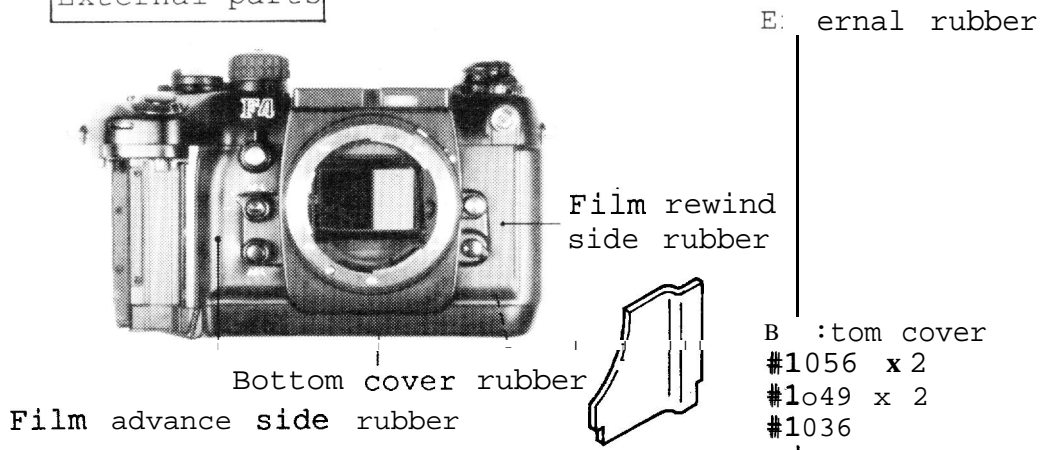


2.DISASSEMBLING

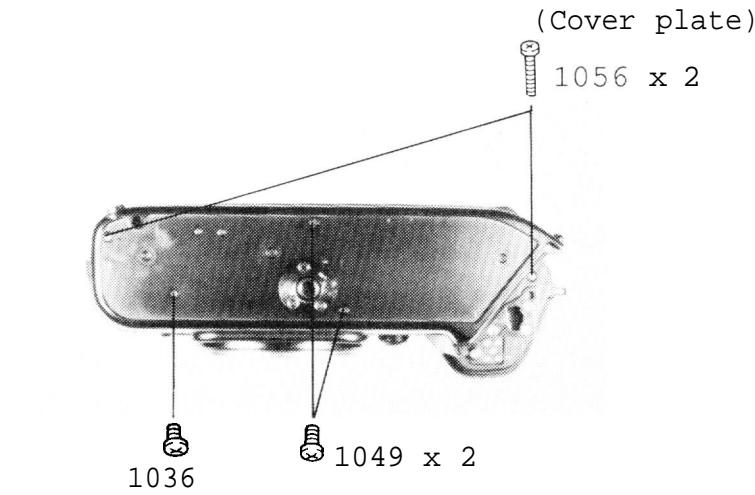
Note 1: Before disassembly, be sure to familiarize yourself with the arrangement of the lead wires, location of screws and type of screws used.

Note 2: As ICS are easily affected by static electricity, be sure to ground the camera when soldering or handling.

External parts

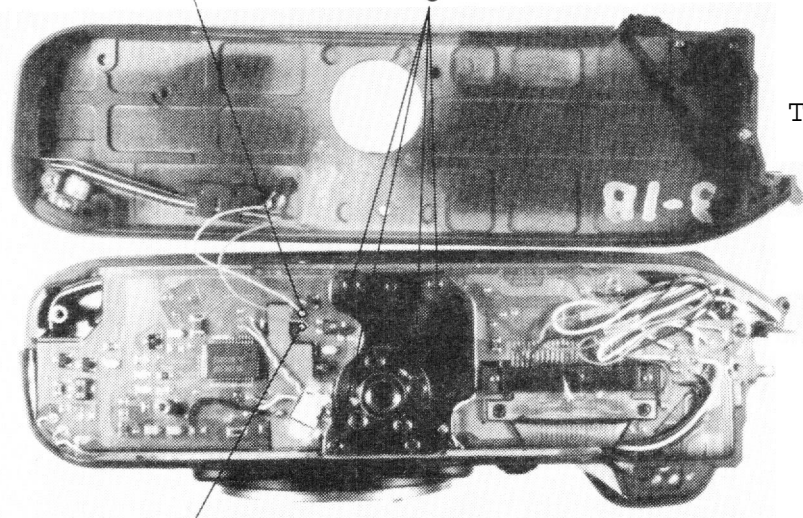


- B :tom cover
- #1056 x 2
- #1049 x 2
- #1036



- Removing cables
- Cable release terminal (blue)
- Cable release terminal (grey)

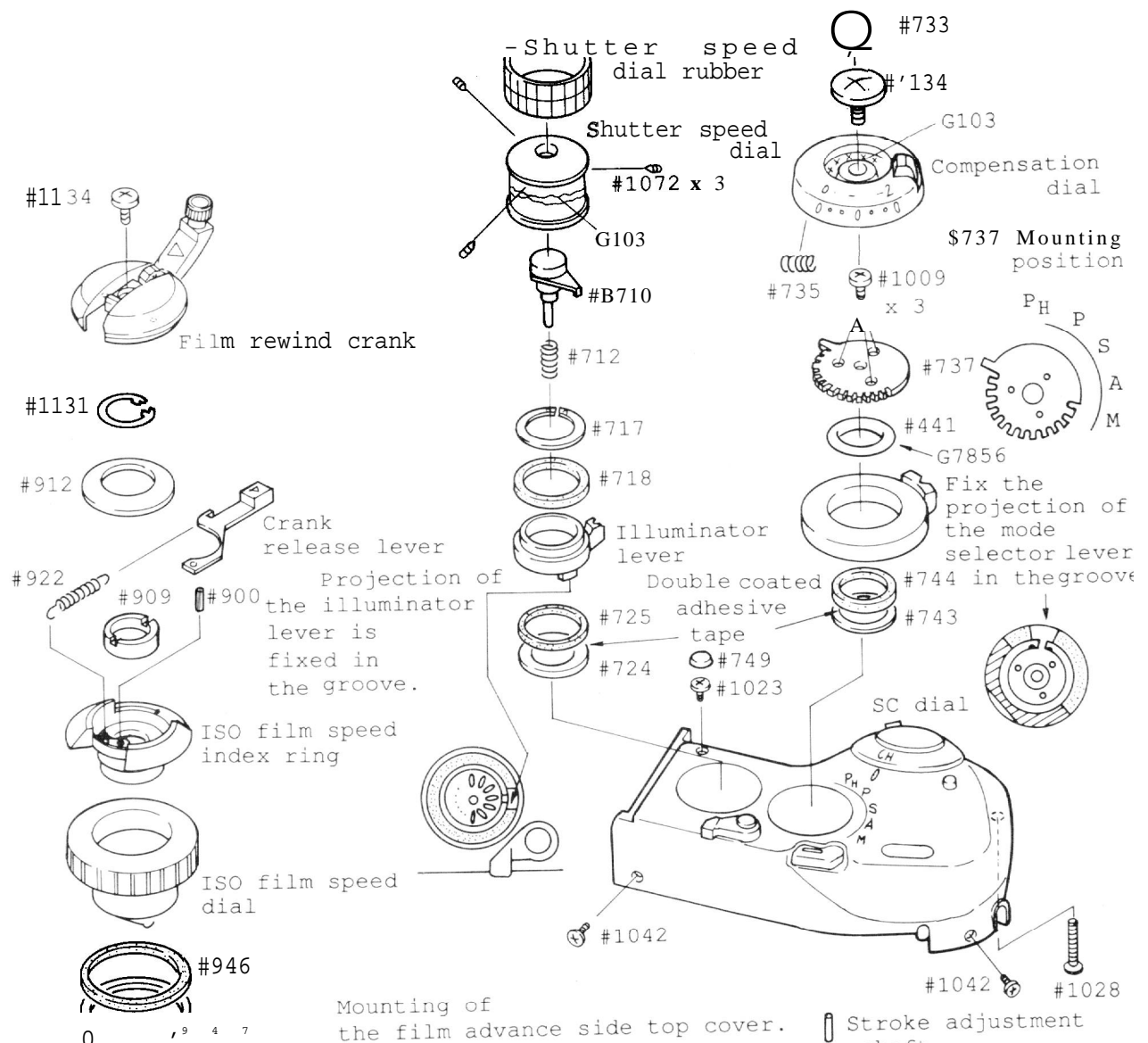
- Cable release terminal (grey)
- Lock tight (red) 1055 x 4



- Tripod socket
- # .055 x 4

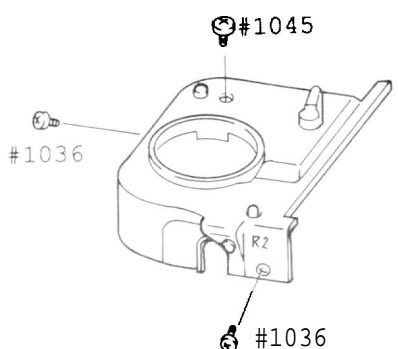
- Cable release terminal (blue)

Film rewind side top cover
Film advance side top cover



Mounting of the film advance side top cover.

Mount the top cover by setting the film advance dial to CH and the film advance mode brush ring to the portion as indicated in the figure.



Film rewind side top cover

Disassembling:
Remove the top cover by setting the R2 lever in film rewind mode.

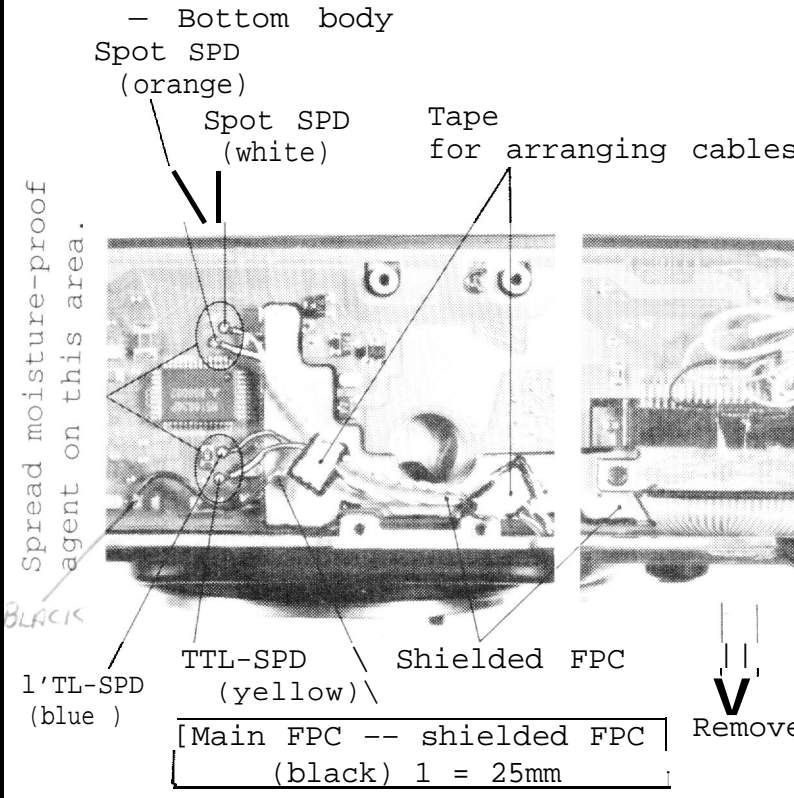
Assembling:
Mount the top cover while holding down the R2 button by setting the R2 lever in film rewind mode.

Push button stroke	Rating
Shutter prerelease	0.5±0.1
Shutter release	1.0±0.2
Stroke after shutter is release	0.45±0.2

Stroke adjustment shaft	Length	Identification: (groove)
1K360-032	4.95	None
1K360-033	5.10	1
1K360-034	5.25	2
1K360-035	5.40	3
IK360-047	5.50	4

(0: junction cable)

Removing front body



Remove cables by referring to the figure .

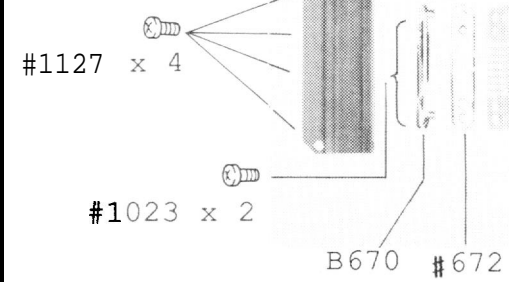
Remove connectors

- VBAT (orange)
- MGND 1 (black)
- MGND2 (black)

Remove connectors

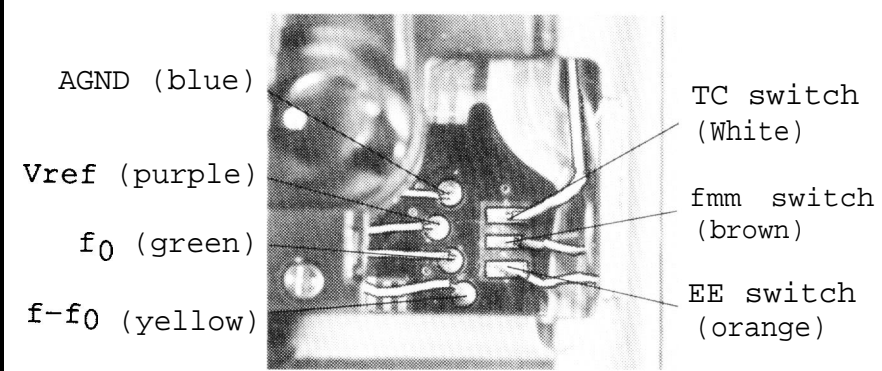
- Film advance side press contact

Film advance side press contact Lid



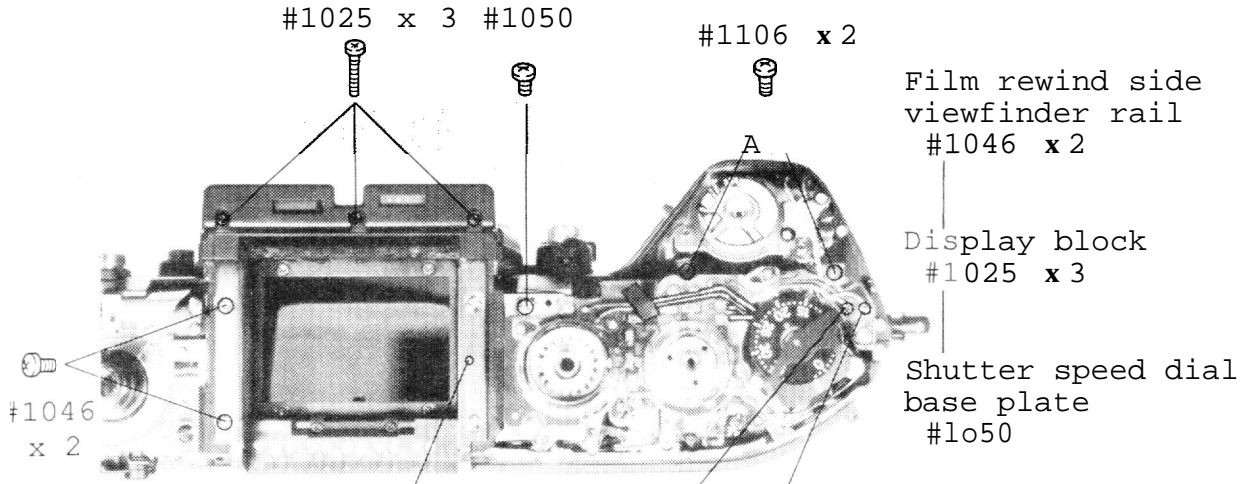
- Film advance side press contact lid #1127 x 4
- Press contact #1023 x 2
- #B670
- #672

- Film rewind side



Remove cables by referring to the figure.

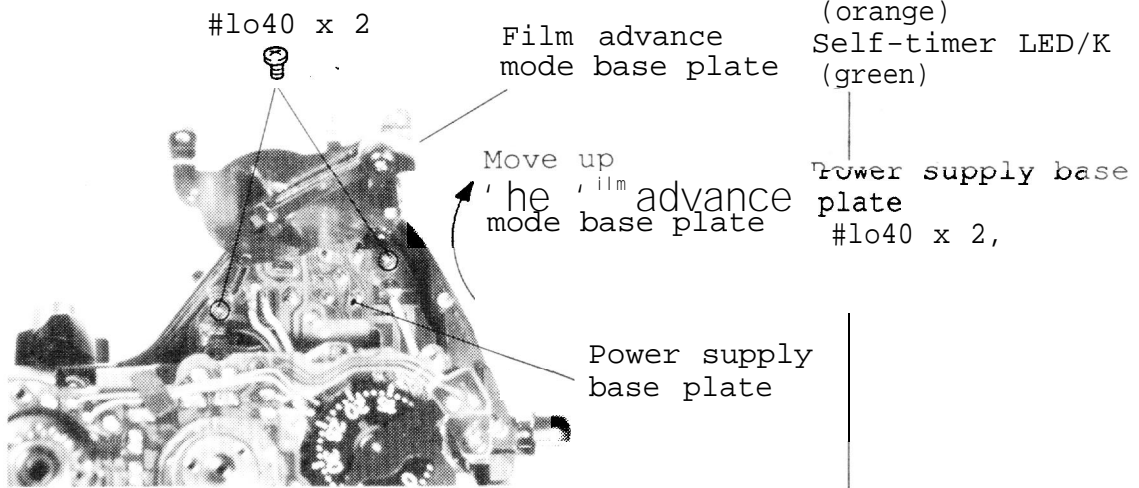
- Top body



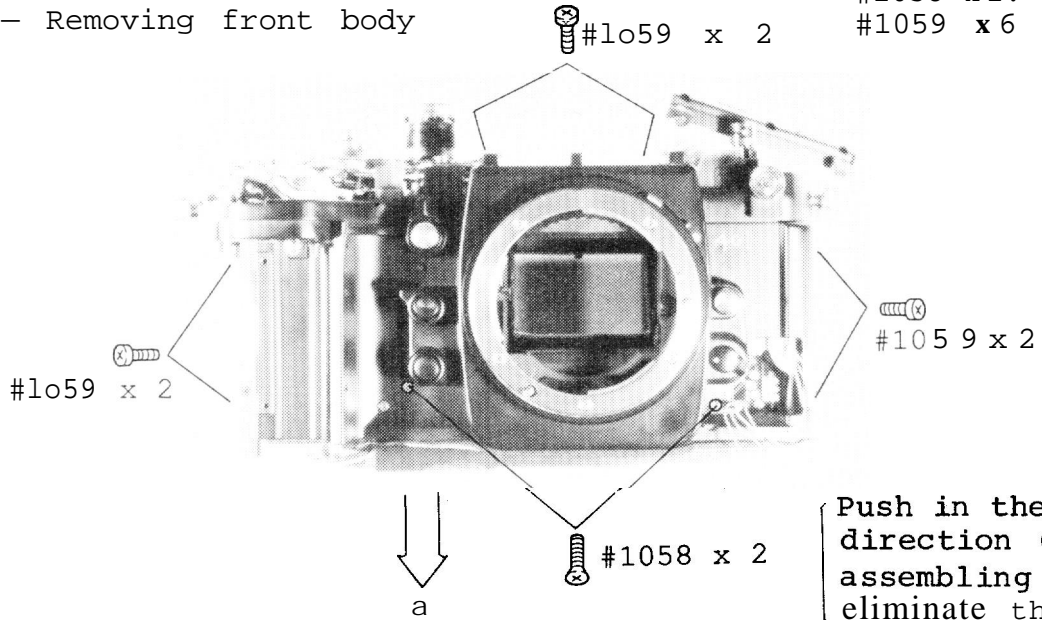
*Adjust the viewfinder mounting play by moving the film advance side viewfinder rail.

Self-timer LED/K (green) Film advance mode base plate #1106 x 2

Self-timer LED/A (orange) Remove cables .Self-timer LED/A (orange) Self-timer LED/K (green)



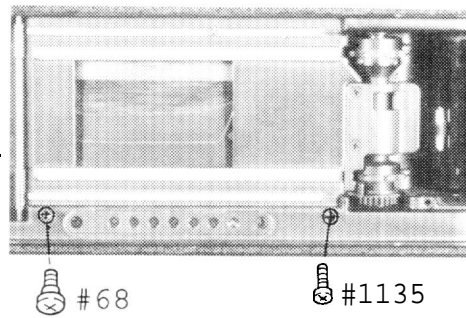
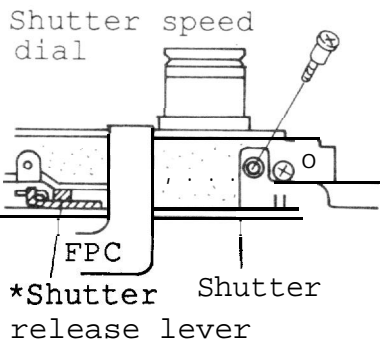
- Removing front body



Front body #1058 x 2. #1059 x 6

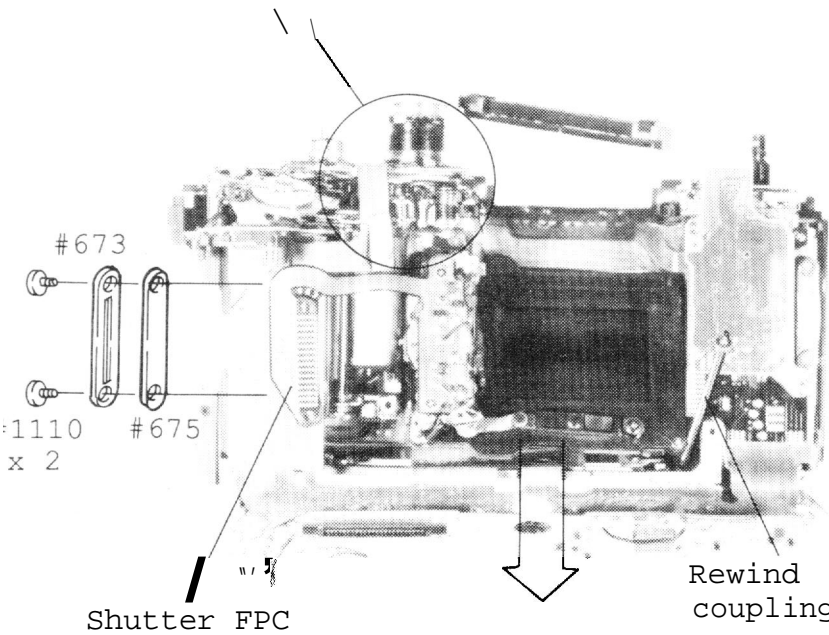
Push in the arrow direction (a) in assembling to eliminate the play.

Shutter unit

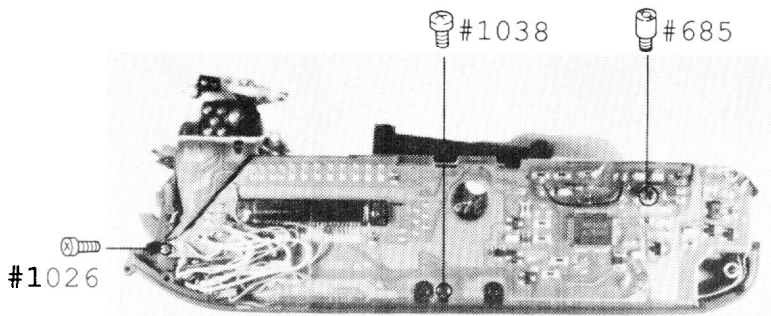


*Release shutter while holding down the shutter release lever

Shutter mounting screws
#66 #68 #1135



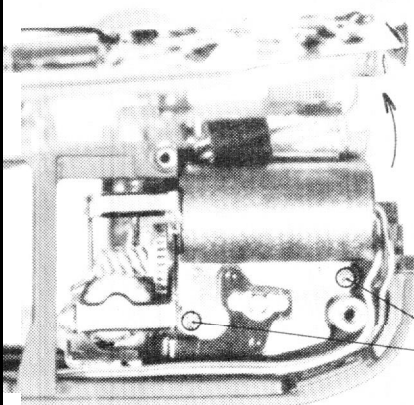
Press contact
#1110 x 2
#673 #675
Take out the shutter FPC from the press contact unit.



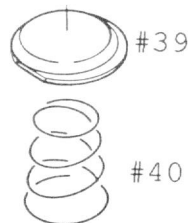
Bottom body FPC
#685 #1026
#1038

Set up the bottom body FPC and remove the film rewind motor #1019 x 2

Remove shutter by sliding it downward.



Set up the bottom body FPC



#1019 x 2
Lock tight (purple)