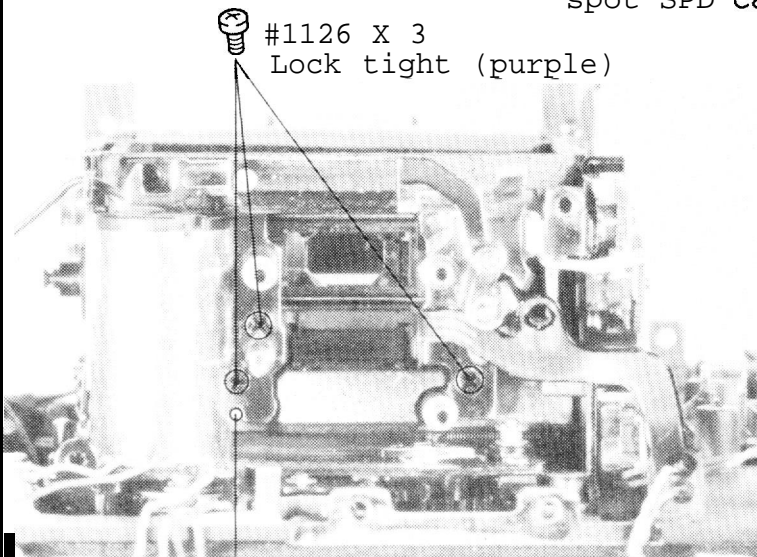
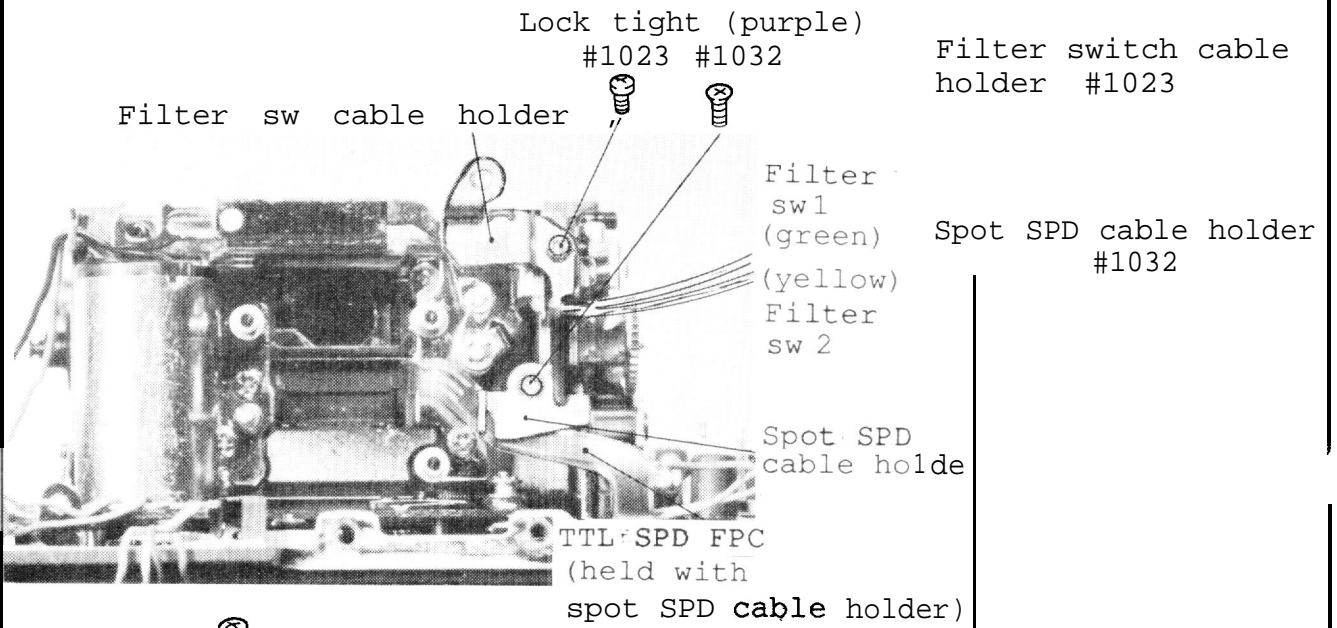
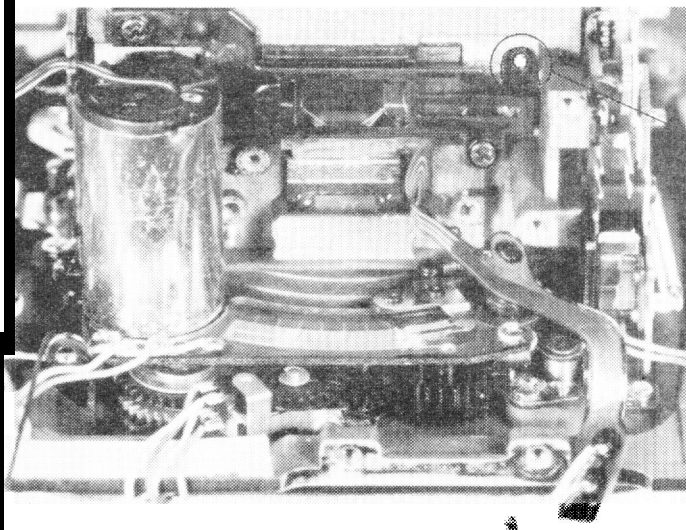


Filter driving base plate unit, filter unit, TTL SPD unit

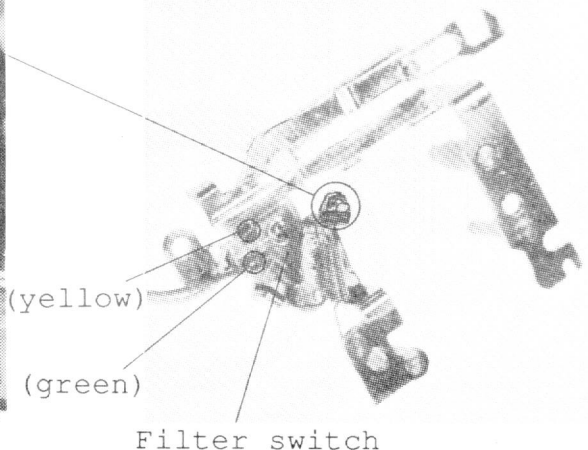


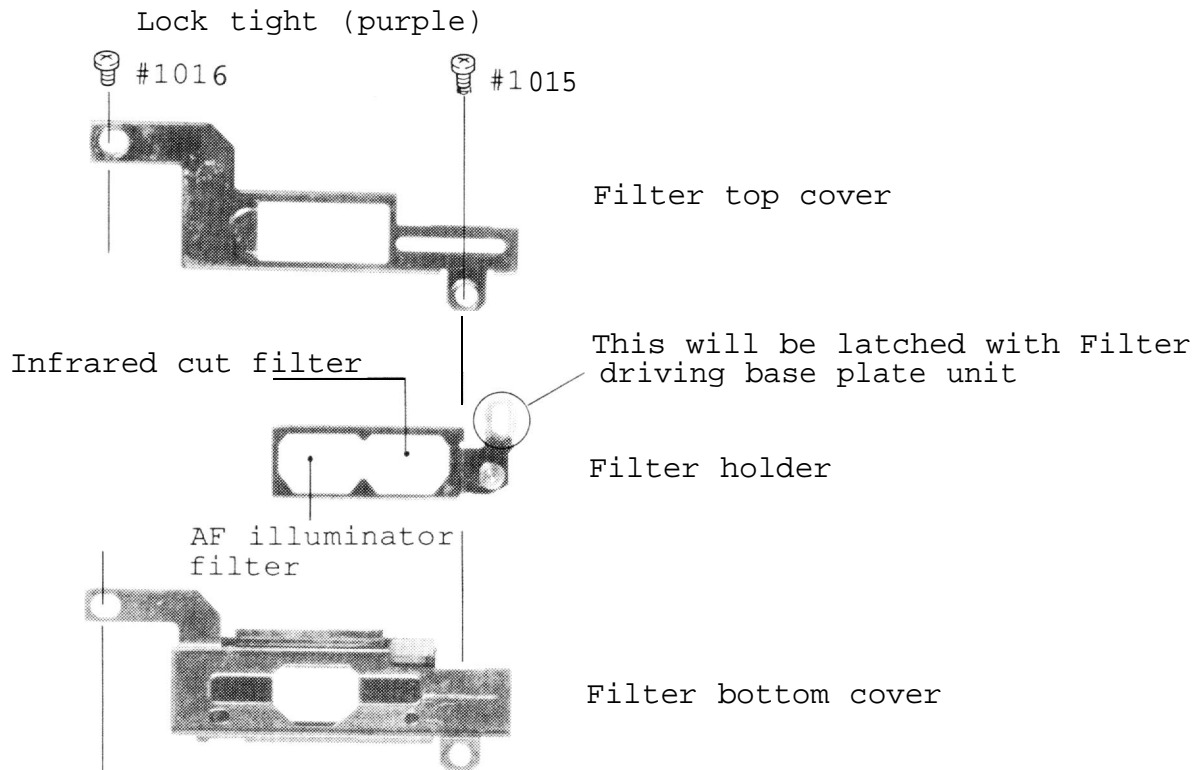
Positioning pin for mounting Filter driving base plate

Filter driving base plate #1126 X 3



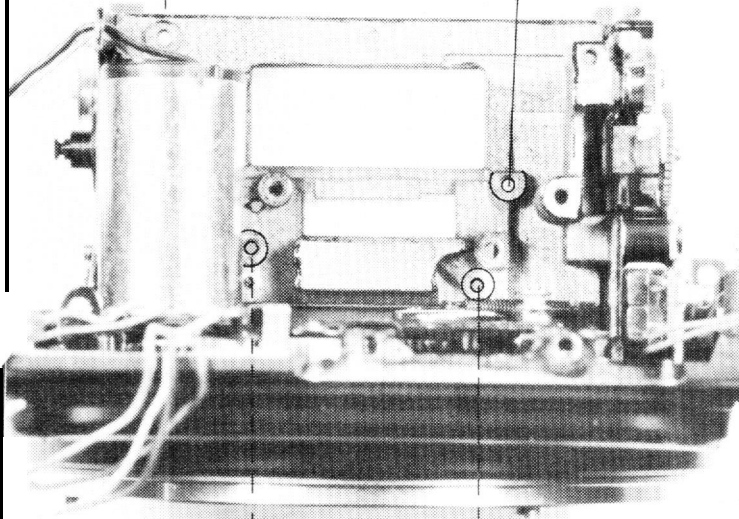
Latched portion of filter driving base plate unit and filter unit



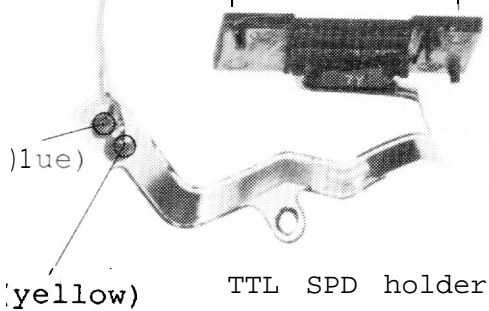


Note :

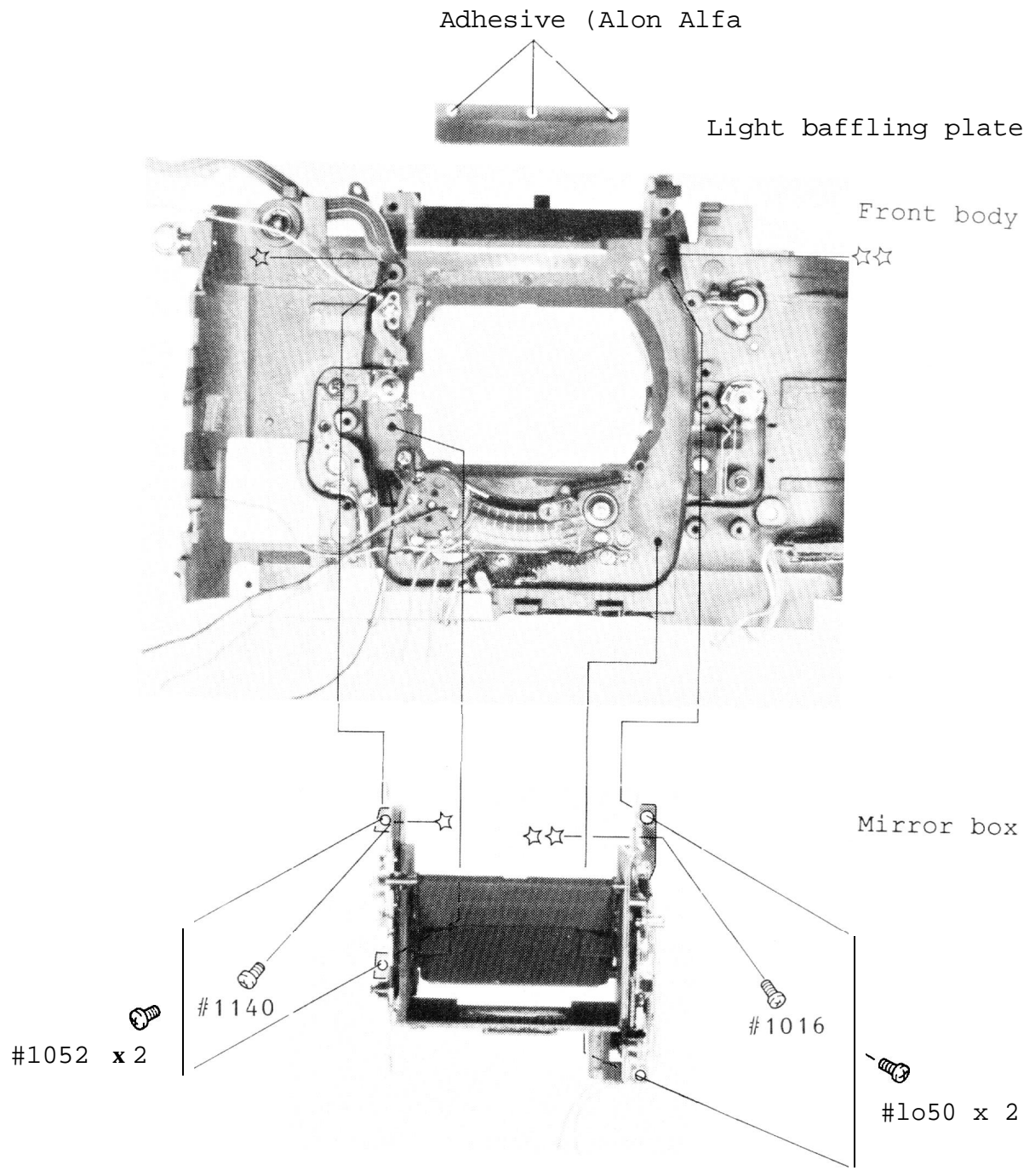
Inspection after mounting filter unit:  
 Filter holder will slide by its own weight when the front body is declined.



\*TTL SPD holder is attached with 5 minute epoxy.

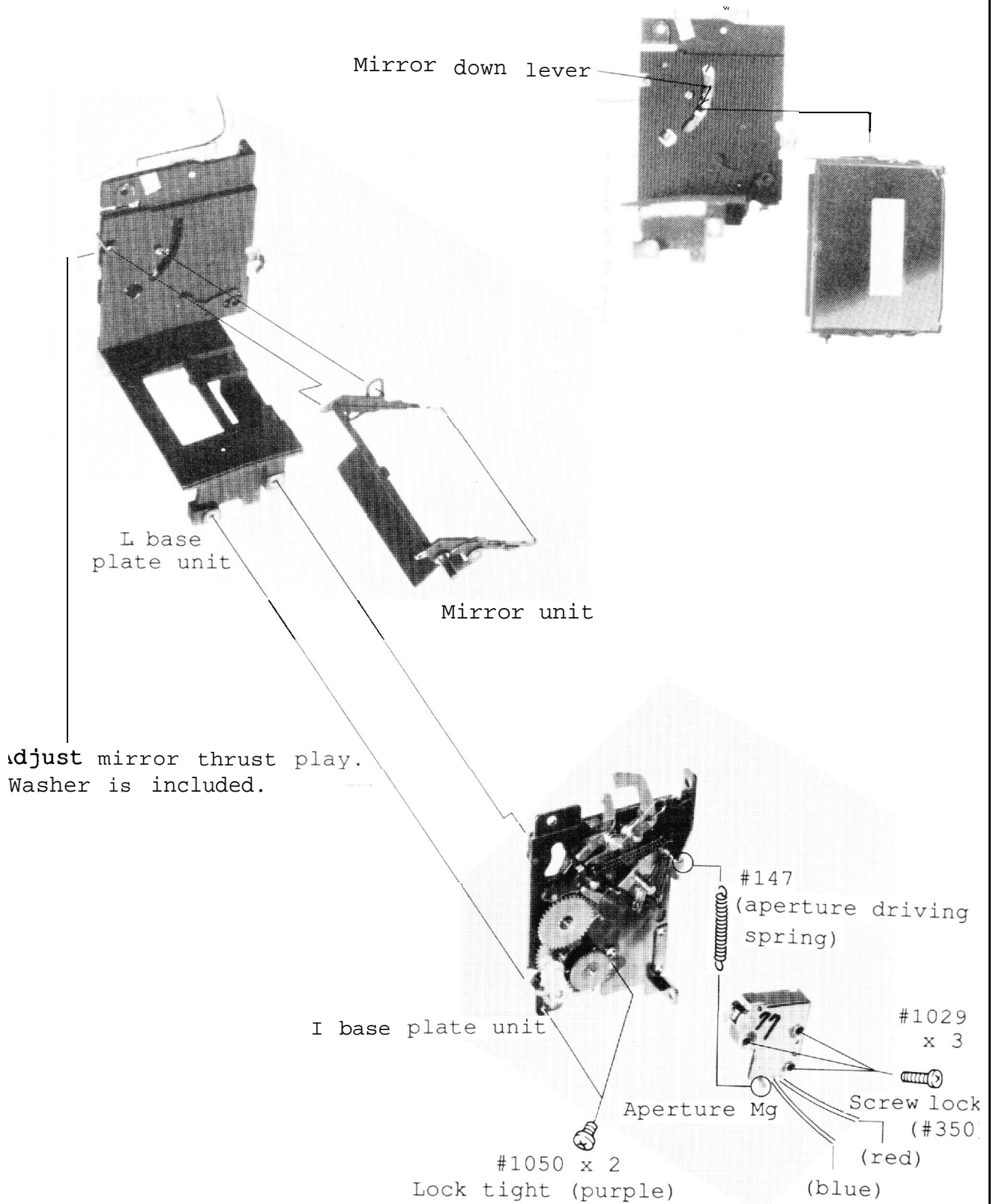


Removing mirror box

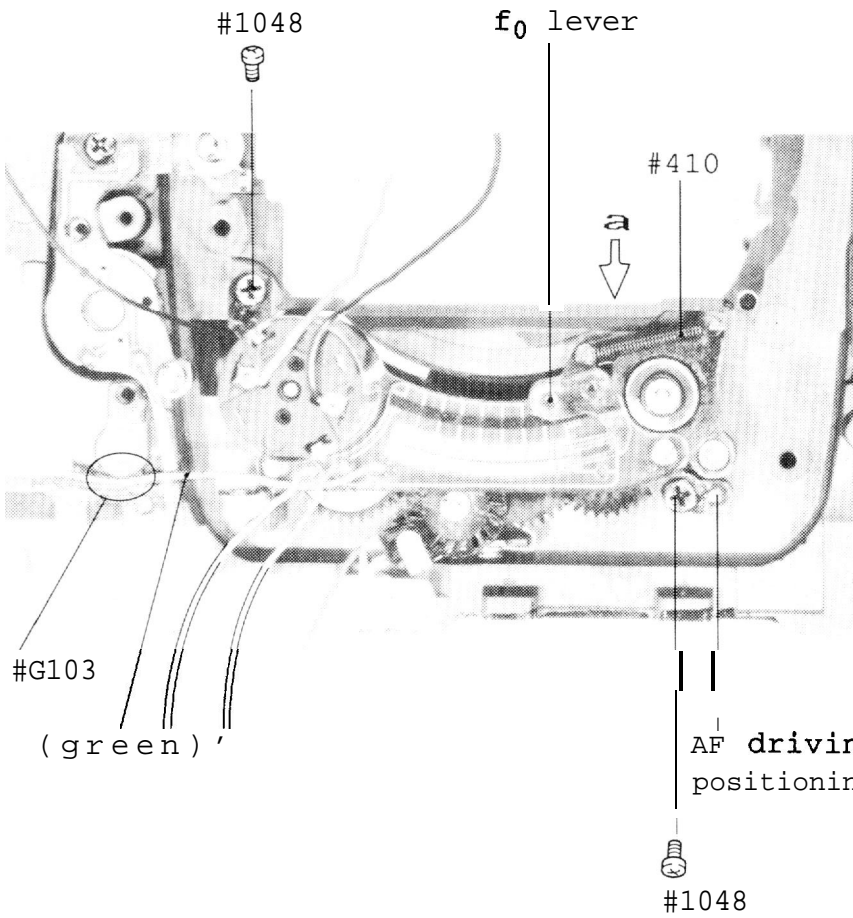


Note: Move aside the mirror box toward viewfinder side when mounting.

Aperture Mg, mirror unit, I base plate, L base plate unit



AF driving baseplate unit, fo base plate



Remove adhesive of green cable

Remove fo lever spring (#410)

Remove mounting screw #1048 x 2

Remove AF driving base plate and f. lever together without bending the f. brush.

Set the f. lever at the location indicated by arrow a.

AF driving base plate positioning pin

n