

作成承認印

配布許可印



**F90X** FAA28052  
 FAA28252  
 FAA28452

**N90S** FAA28152

REPAIR MANUAL

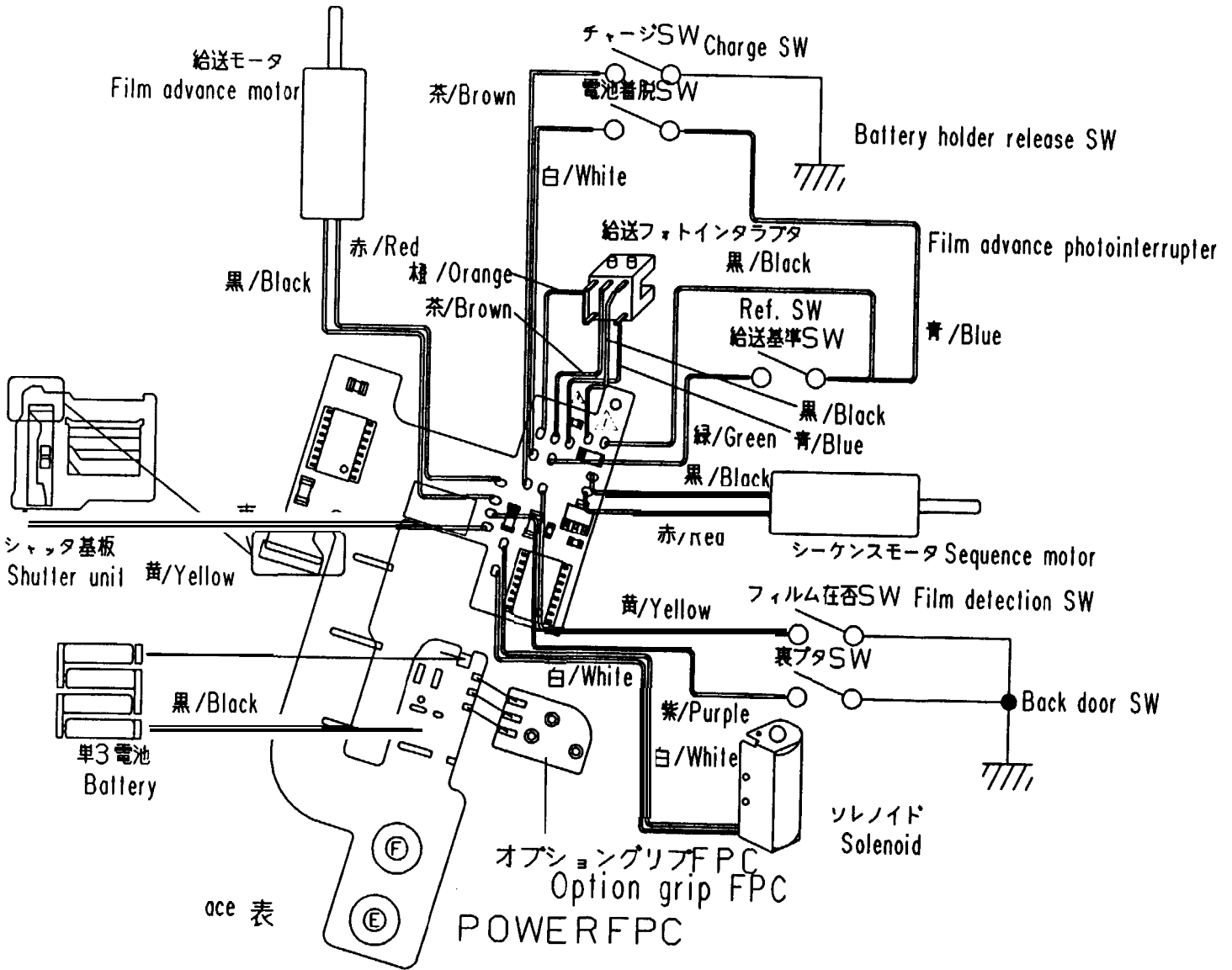
修理指針

**Nikon** | NIKON CORPORATION  
 Tokyo, Japan

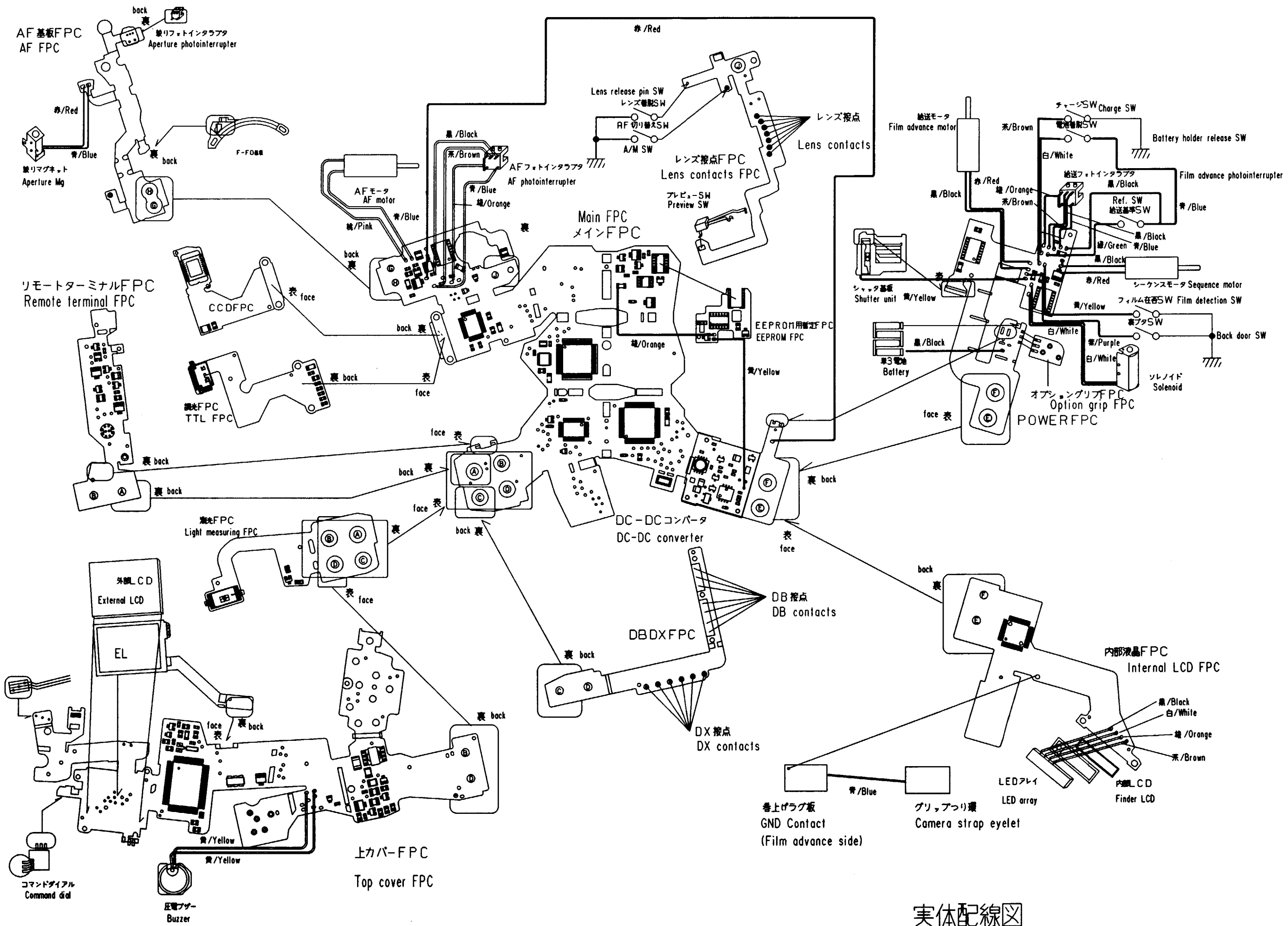
© Copyright 1994  
 ALL RIGHTS RESERVED  
 無断転載を禁ず!!

E l e c t r i c C i r c u i t

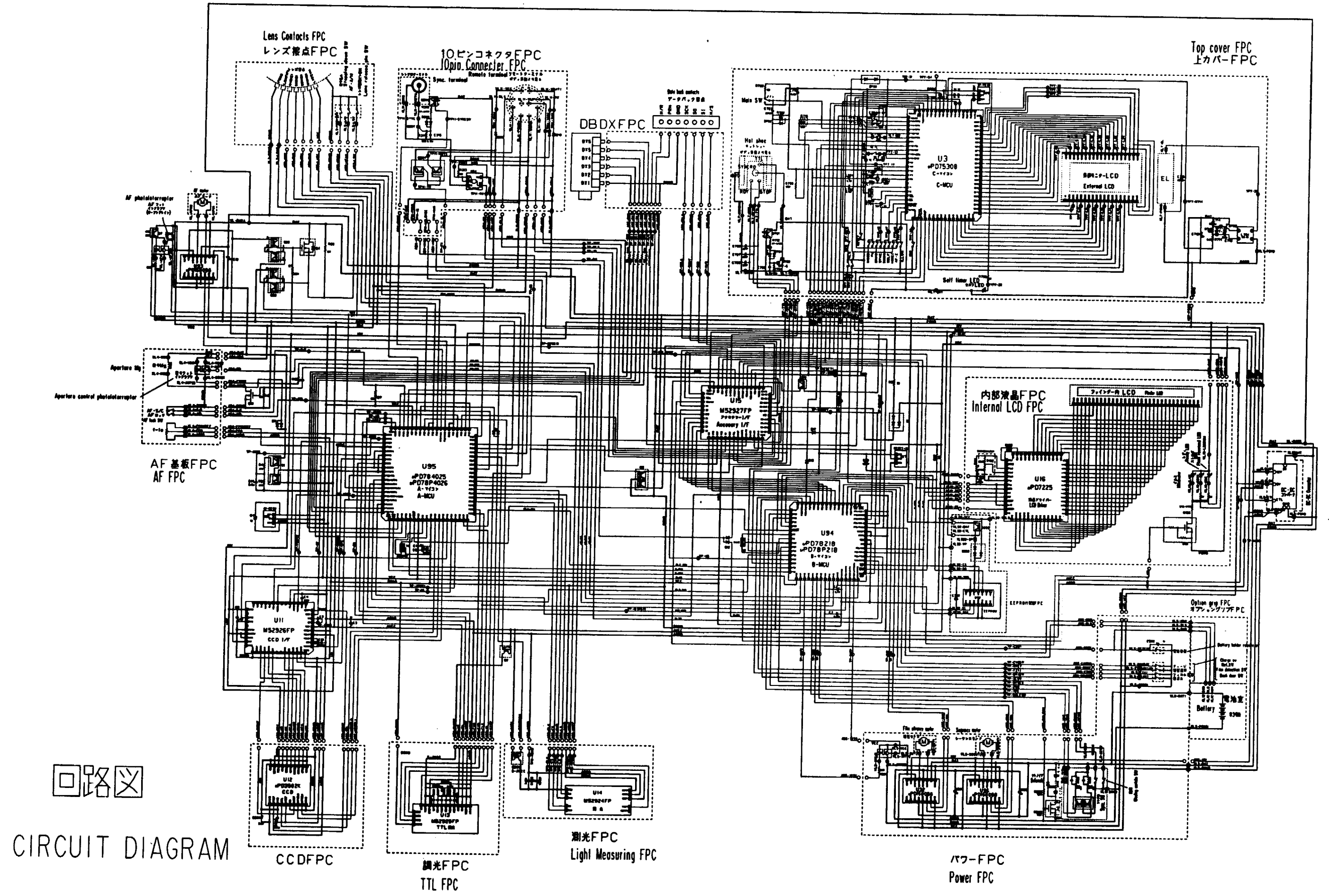
Wiring Diagram	-----	E1
Circuit Diagram	-----	E2
Main FPC PART /k CHECKLANDS	-----	E3
TOP COVER FPC	-----	E5
#1010 FPC	-----	E7
REMOTE TERMINAL FPC	-----	E8
POWER FPC	-----	E10
LENS CONTACT FPC	-----	E11
A-MCU PIN TABLE	-----	E12
B-MCU PIN TABLE	-----	E13







実体配線図  
WIRING DIAGRAM



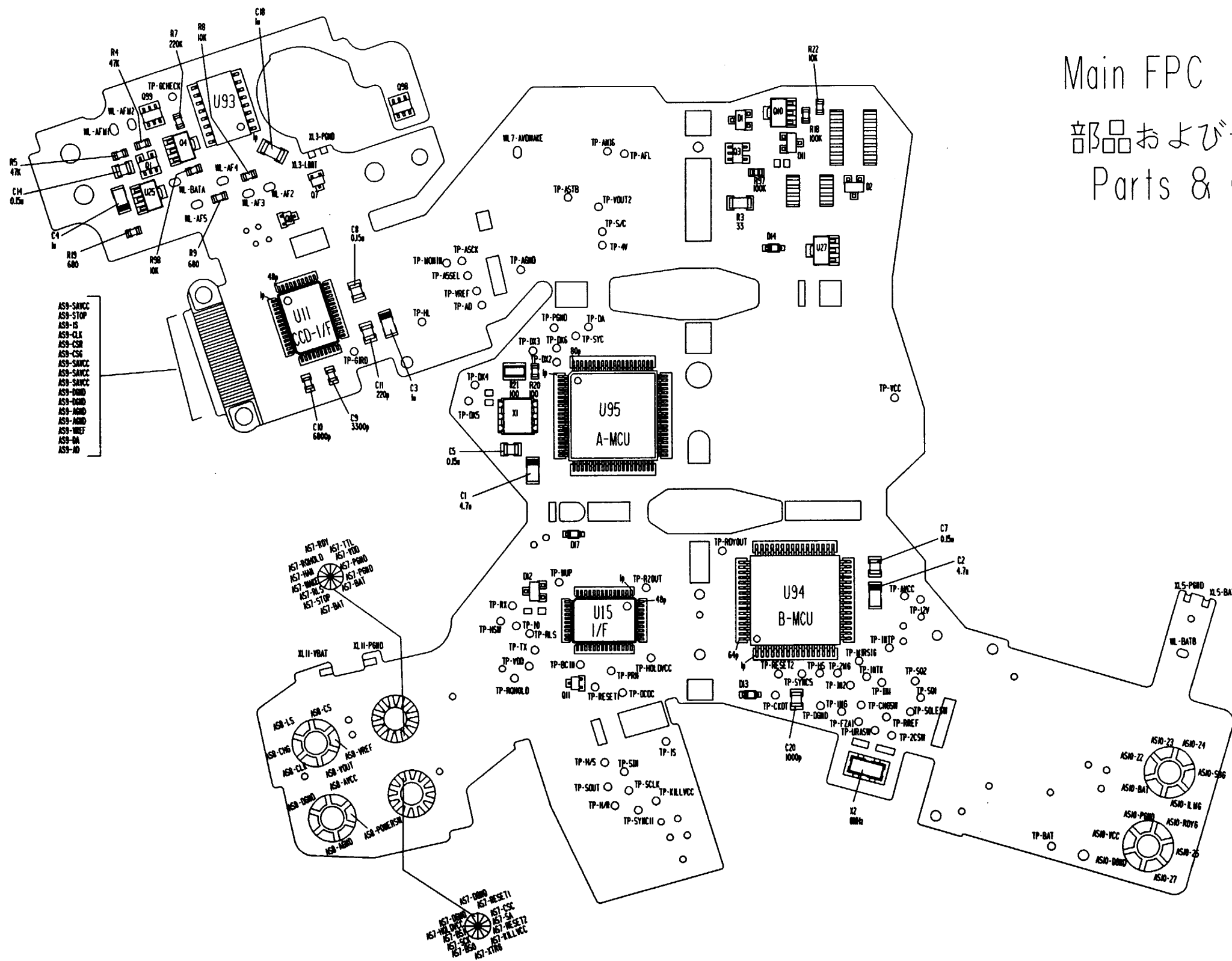
CIRCUIT DIAGRAM

CCDFPC

調光FPC  
TTL FPC

測光FPC  
Light Measuring FPC

パワーFPC  
Power FPC



# Main FPC

部品およびチェックランド  
Parts & Check Lands

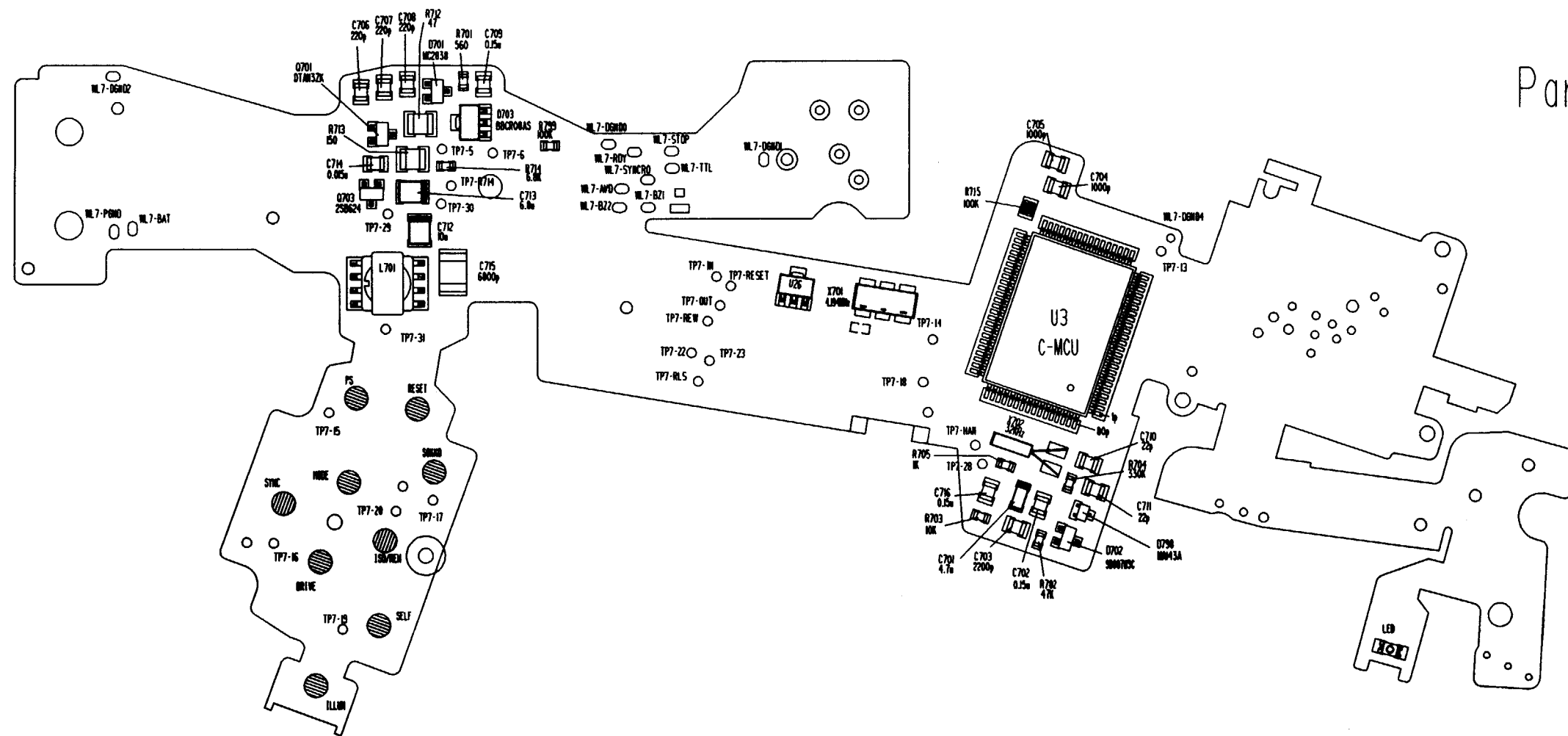




上カバーFPC

Top Cover FPC

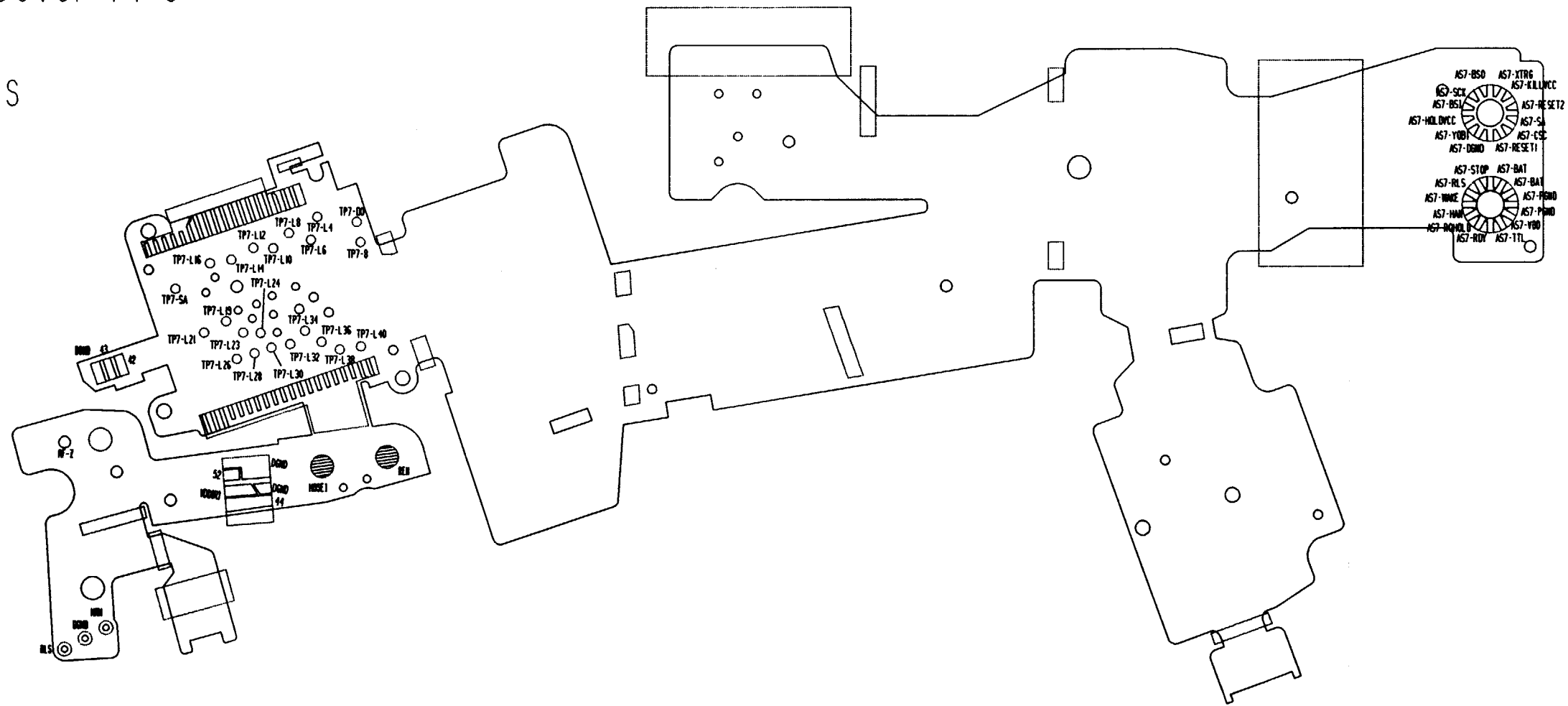
Parts & Check Lands



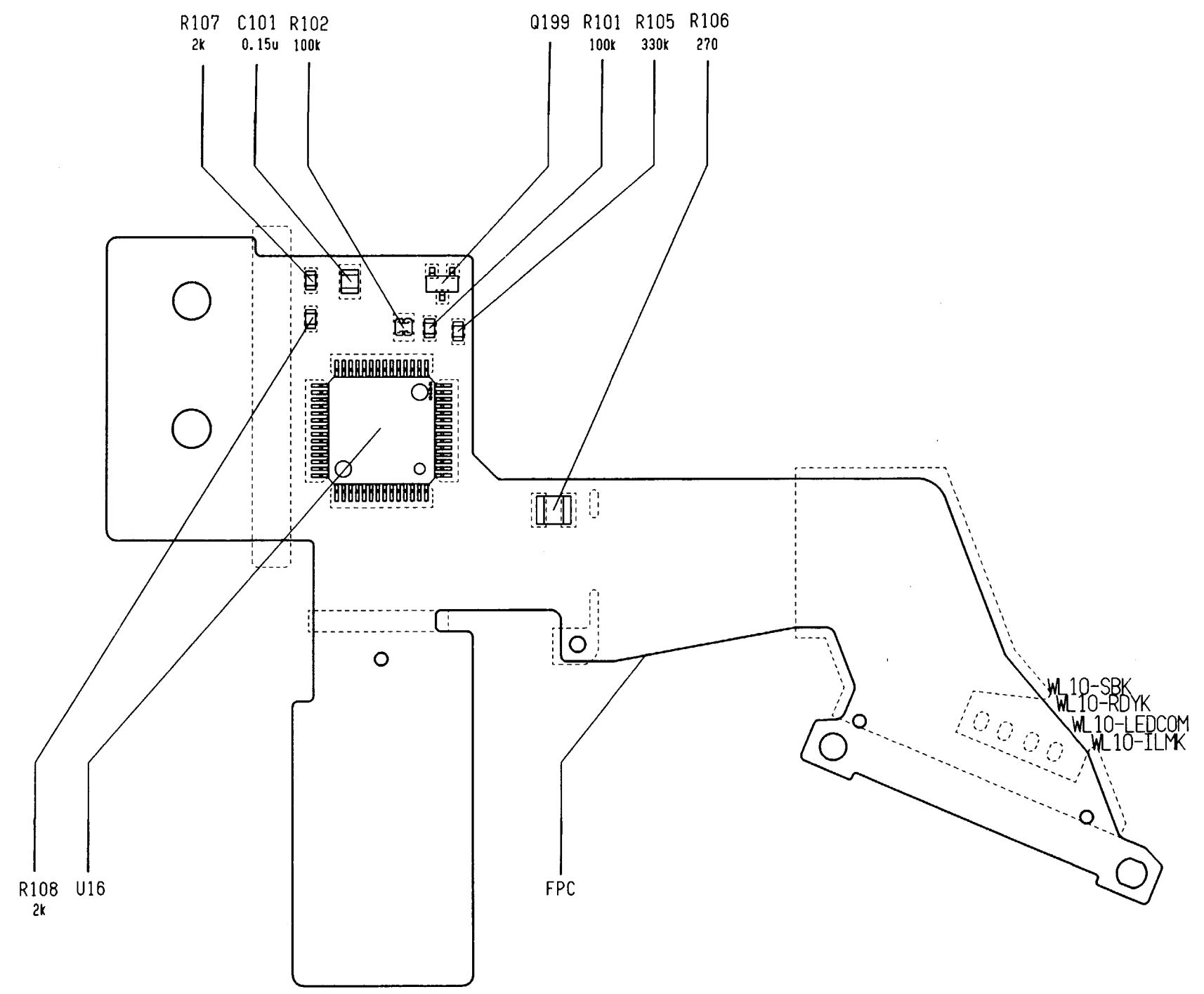
上カバー-FPC

Top Cover FPC

Check Lands



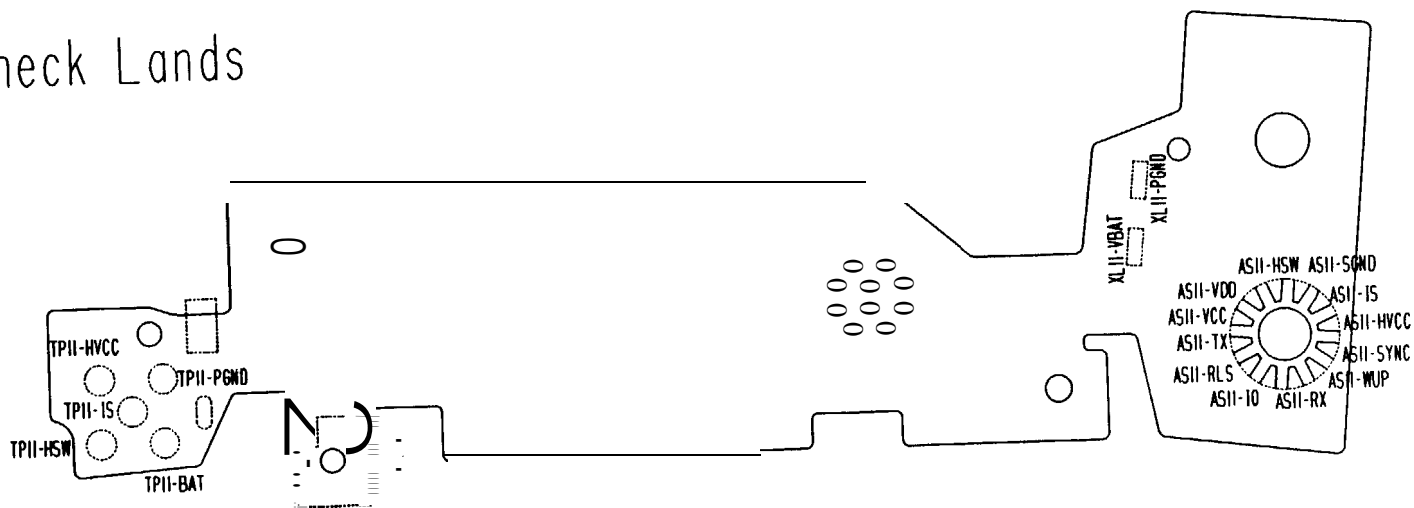
#1010 FPC  
(内LCDフレキ)



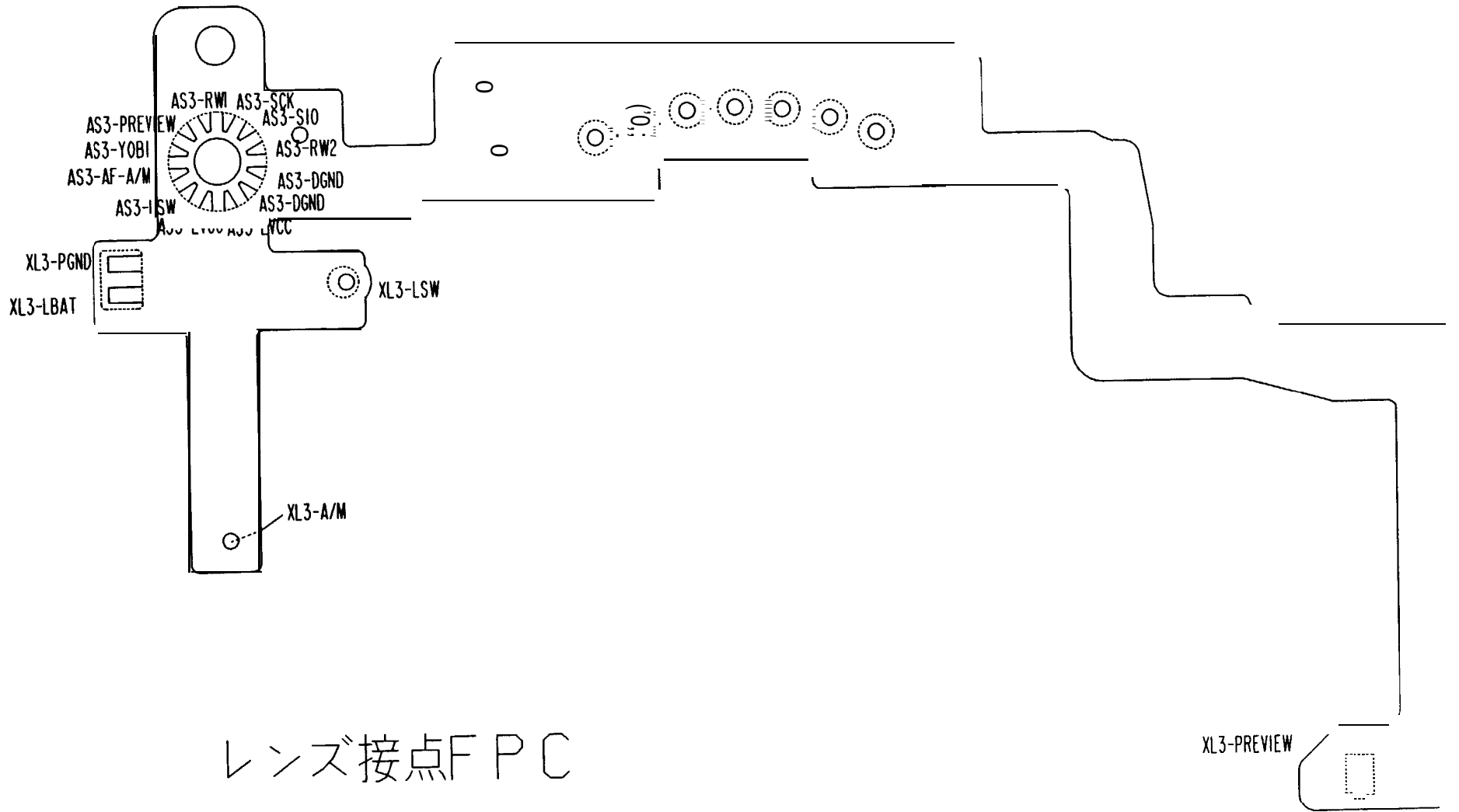
リモートターミナルFPC

Remote Terminal FPC

Check Lands







-E 1 1・P90X-

レンズ接点FPC

Lens Contacts FPC

## F90X (N90S) EEPROM DATA

95-02-01

.DDRES	CONTENTS	DATA FOR A-MCU				NOTE
		MP1	MP2	MP3		
0	AD ADJUSTMENT DATA	--	--	--		
1						
<b>253</b>	AF ADJUSTMENT OATA	--	--	--		
<b>254</b>	AE ADJUSTMENT DATA CH1	' -	' -	' -		
<b>255</b>	READJUSTMENT DATA CH2	" -	" -	" -		
<b>256</b>	READJUSTMENT DATA CH3	' -	' -	' -		
<b>257</b>	AE ADJUSTMENT DATA CH4	' -	' -	' -		
<b>258</b>	AE ADJUSTMENT DATA CH5	' -	' -	' -		
<b>259</b>	AE ADJUSTMENT OATA CH6	' -	' -	' -		
<b>260</b>	AE ADJUSTMENT DATA CH7	' -	' -	' -		
<b>261</b>	AE ADJUSTMENT DATA CH8	' -	' -	' -		
<b>262</b>	AE ADJUSTMENT OATA	--	--	--		
<b>263</b>	AEOJUSTMENT DATA	--	--	--		
<b>264</b>	TTL ADJUATMENT DATA CH1	' -	' -	" -		TTL-PRE-LEVEL
<b>265</b>	TTL ADJUATMENT DATA CH2	' -	' -	' -		TTL-PRE-LEVEL
<b>266</b>	TTL ADJUATMENT DATA CH3	' -	' -	' -		TTL-PRE-LEVEL
<b>267</b>	TTL ADJUATMENT DATA CH4	' -	' -	' -		TTL-PRE-LEVEL
<b>268</b>	TTL ADJUATMENT DATA CH5	' -	' -	' -		TTL-PRE-LEVEL
<b>269</b>	TTL ADJUSTMENT OATA	--	--	---		PRE-GAMMA
<b>270</b>	TTL ADJUATMENT OATA CH1	' -	' -	' -		TTL-LEVEL
<b>271</b>	TTL ADJUATMENT DATA CH2	' -	' -	' -		TTL-LEVEL
<b>272</b>	TTLADJUATMENT DATA CH3	' -	' -	' -		TTL-LEVEL
<b>273</b>	TTL ADJUATMENT DATA CH4	' -	' -	' -		TTL-LEVEL
<b>274</b>	TTL ADJUATMENT DATA CH5	' -	' -	' -		TTL-LEVEL
<b>275</b>	TTL ADJUSTMENT DATA	--	---	--		TTL-LEVEL
<b>276</b>	CAMERA CONTROL OATA	10	10	10		
<b>277</b>	CAMERA CONTROL DATA	115	115	115		
<b>278</b>	BC ADJUSTMENT DATA BC1	' -	' -	' -		
<b>279</b>	BC ADJUSTMENT DATA BC2	' -	' -	' -		

ADDRESS	CONTENTS	DATA FOR A-MCU			NOTE
		MP1	MP2	MP3	
280	CAMERA ADJUSTMENT DATA				
281	CAMERA CONTROL DATA	0	0	0	↑
282	CAMERA CONTROL DATA	0	0	0	... ..
283	CAMERA CONTROL DATA	255	255	255	
284	AF ADJUSTMENT DATA				↑
1	1	1	1	1	
307	AF ADJUSTMENT DATA				↑
308	CAMERA CONTROL DATA	40	40	40	
309	AF ADJUSTMENT DATA				“ ”
310	AF ADJUSTMENT DATA				
311	CAMERA CONTROL DATA	82	82	82	
312	CAMERA CONTROL DATA	16	16	16	↑
313	CAMERA CONTROL DATA	110	110	110	
314	CAMERA CONTROL DATA	0	0	0	
315	CAMERA CONTROL DATA	15	15	15	
316	CAMERA CONTROL DATA	0	0	0	
317	CAMERA CONTROL DATA	0	0	0	
318	CAMERA CONTROL DATA	220	220	220	
319	CAMERA CONTROL DATA	110	110	110	
320	CAMERA CONTROL DATA	28	28	28	
321	CAMERA CONTROL DATA	6	6	6	
322	CAMERA CONTROL DATA	245	245	245	
323	CAMERA CONTROL DATA	16	16	16	
324	CAMERA CONTROL DATA	255	255	255	
325	CAMERA CONTROL DATA	0	0	0	
326	CAMERA CONTROL DATA	0	0	0	
327	CAMERA CONTROL DATA	0	0	0	
328	FOR PRODUCTION STAGE				
1	1	1	1	1	
335	FOR PRODUCTION STAGE				



ADDRESS	CONTENTS	DATA FOR B-MCU				
336	CAMERA CONTROL DATA	0				
337	CAMERA CONTROL DATA	10				
338	CAMERA CONTROL DATA	138				
339	CAMERA CONTROL DATA	I 1341				
340	CAMERA CONTROL DATA	255				
341	CAMERA CONTROL DATA	255				
342	CAMERA CONTROL DATA	30				
343	CAMERA CONTROL DATA	01				
344	APERTURE CONTROL DATA	105 I				
<b>345</b>	APERTURE CONTROL DATA	130				
346	APERTURE CONTROL DATA	150				
347	M 1/8000 ADJUSTMENT DATA	--				
348	CAMERA CONTROL DATA	1				
349	CAMERA CONTROL DATA	16				
350	CAMERA CONTROL DATA	14				
351	CAMERA CONTROL DATA	8				
352	CAMERA CONTROL DATA	1				
<b>353</b>	CAMERA CONTROL DATA	50				
354	CAMERA CONTROL DATA	47				
355	CAMERA CONTROL DATA	3				
356	CAMERA CONTROL DATA	7				
357	CAMERA CONTROL DATA	50				
<b>358</b>	CAMERA CONTROL DATA	50				
359	<b>CAMERA CONTROL DATA</b>	4				
<b>360</b>	<b>CAMERA CONTROL DATA</b>	20				
361	F] LM LEADER CONTROL DATA REWIND FILM INTO PATRONE  • LEAVE FILM LEADER FROM PATRONE -----	-- 200  ----- 6				
<b>362</b>	<b>CAMERA CONTROL DATA</b>	20				
<b>363</b>	<b>CAMERA CONTROL DATA</b>	255				

ADDRESS	CONTENTS	DATA FOR B-MCU				NOTE
		MI)				
364	CAMERA CONTROL DATA	10				
365	CAMERA CONTROL OATA	75				
366	CAMERA CONTROL DATA	112				
367	CAMERA CONTROL DATA	124				
368	CAMERA CONTROL DATA	208				
369	CAMERA CONTROL DATA	1				
370	CAMERA CONTROL DATA	0				
371	CAMERA CONTROL DATA	32				
372	CAMERA CONTROL DATA	162				
373	CAMERA CONTROL DATA	30				
374	UN-USED	0				
381	UN-USED	0				
382	CAMERA CONTROL OATA					
383	CHECK-SUM--DATA	---				
		1				
387	UN-USED	0				
388	ERROR CODE INDICATION CONTROL	---				
389	ERROR CODE INOICATIUN CONTROL	---				
390	CAMERA CONTROL DATA	57				
391	CAMERA CONTROL DATA	---				
		1				
395	CAMERA CONTROL DATA					
396	CAMERA CONTROL DATA	1				
397	UN-USED	---				
398	CAMERA CONTROL OATA	---				
		1				
404	CAMERA CONTROL OATA	---				
405	CAMERA CONTROL OATA	57				

,DDRES	CONTENTS	DATA FOR B-MCU				NOTE
		MP1				
406	CAMERA CONTROL DATA	---				
410	CAMERA CONTROL DATA	---				
411	CAMERA CONTROL DATA	1				
412	CAMERA CONTROL DATA	31				
413	CAMERA CONTROL DATA	15				
414	CAMERA CONTROL DATA	8				
415	CAMERA CONTROL DATA	4				
416	CAMERA CONTROL DATA	144				
417	CAMERA CONTROL DATA	---				
426	CAMERA CONTROL DATA	---				
427	CAMERA CONTROL DATA	48				
428	CAMERA CONTROL DATA	---				
429	CAMERA CONTROL DATA	---				
430	CAMERA CONTROL DATA	1				
431	CAMERA CONTROL DATA	---				
433	CAMERA CONTROL DATA	---				
434	CAMERA CONTROL DATA	208				
435	CAMERA CONTROL DATA	1				
436	CAMERA CONTROL DATA	208				
437	CAMERA CONTROL DATA	1				
438	CAMERA CONTROL DATA	208				
439	CAMERA CONTROL DATA	1				

ADDRESS	CONTENTS	DATA FOR B-MCU					NOTE
		MP1					
440	FOR PRODUCTION STAGE	---					
463	FOR PRODUCTION STAGE	--					
464	PHOTO DATA	--					
511	PHOTO DATA	---					

- ・ 0～335番地まではA-MCU用の固定値及び初期値です。
- ・ 336～511番地までは。B-MCU用の固定値及び初期値です。
- ・ --は調整後及びカメラ設定状態により変動する値です。

ADDRESS FROM 0 THROUGH 335: FIXED VALUE AND INITIAL VALUE FOR A-MCU.  
 ADDRESS FROM 336 THROUGH 511: FIXED VALUE AND INITIAL VALUE FOR B-MCU.  
 -- IS THE VALUE WHICH IS CHANGED AFTER **ADJUSTMENT** AND IS CHANGED ACCORDING TO THE CAMERA MODE.

## [ 1 1 1 4 % T O O L

14% %\$'-% TOOL No.	名 称 NAME	区 分 CLASS
J 1 8 2 4 1 A	点検、調整用フロッピーディスク NEC PC-9801J% 507 INSPECTING & ADJUSTMENT FLOPPY DISK. FOR NEC PC 5'	
J 1 8 2 4 1 B	点検、調整用フロッピーディスク NEC PC-9801用 3.5インチ INSPECTING &ADJUSTMENT FLOPPY DISK. FOR NEC PC 3.5'	
J 1 8 2 4 1 C	点検、調整用フロッピーディスク IBM PC/AT用 507 INSPECTING & ADJUSTMENT FLOPPY DISK. FOR IBM PC 5'	
J 1 8 2 4 1 D	点検、調整用フロッピーディスク IBM PC/AT用 3.54X INSPECTING &ADJUSTMENT FLOPPY DISK. FOR IBM PC3.5'	

作成承認印 | 配布許可印



“ ”  
“ ”

**F90X** FAA28052  
FAA28252  
FAA28452

**N90s** FAA28152

PARTS L 1ST

修理部品表

**Nikon** | NIKON CORPORATION  
Tokyo, Japan

© Copyright 1994  
ALL RIGHTS RESERVED  
無断転載を禁ず!!

A

B

FAA28052-R.3363.1

# F90X シャッター一部

## F90X Shutter

旧シャッター組品に新シャッター幕1B999-709、  
1B999-675を取付ける時には\*の部品を使用すること

製技 94 F-1033  
F80 1,F90-940089

When mounting the new curtains (1 B994-709 and  
1 B999-675) on the old shutter assembly, use the parts  
marked with "\*".

NO.94F- 1033  
F80 1,F90-940089

1

2

3

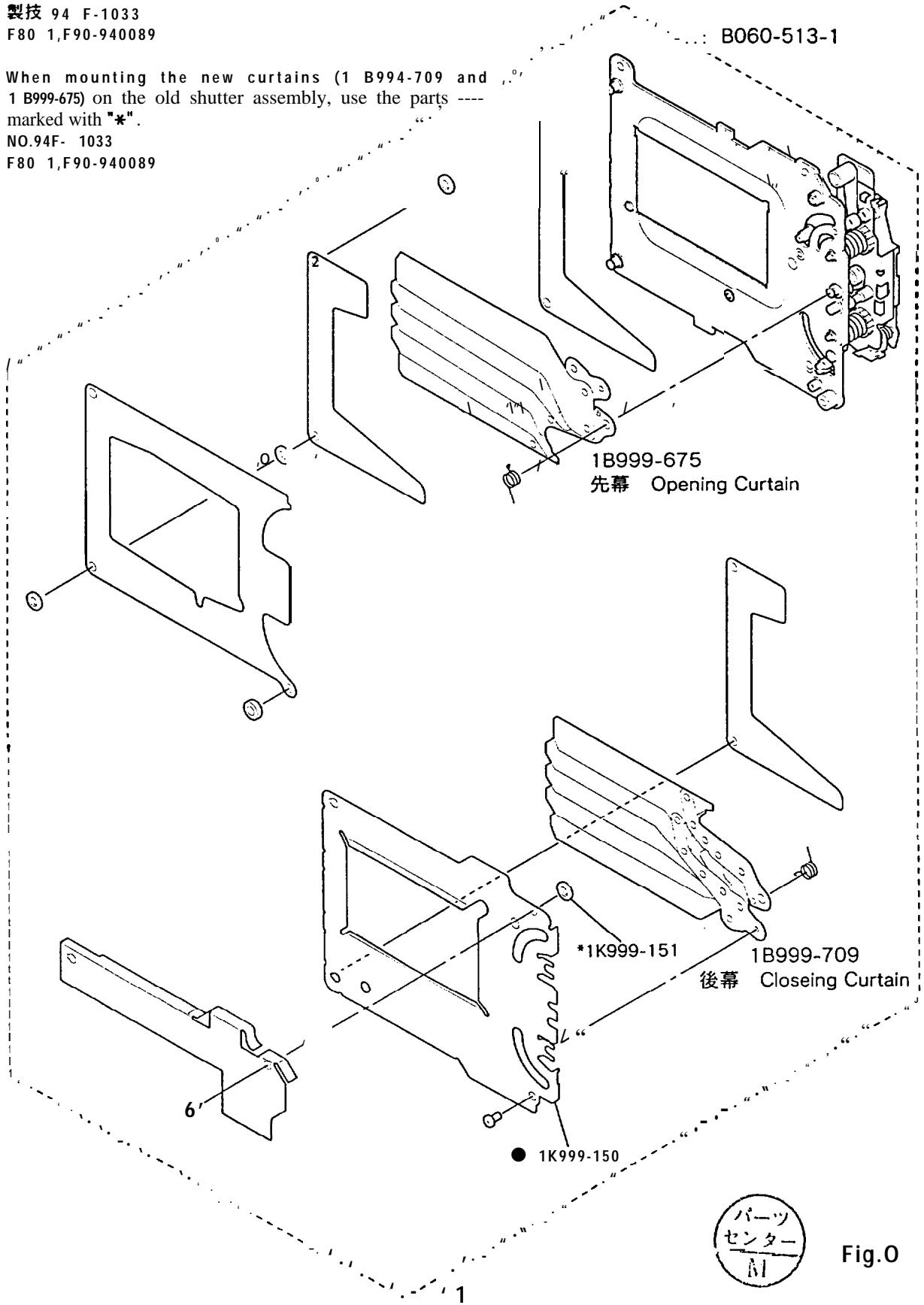
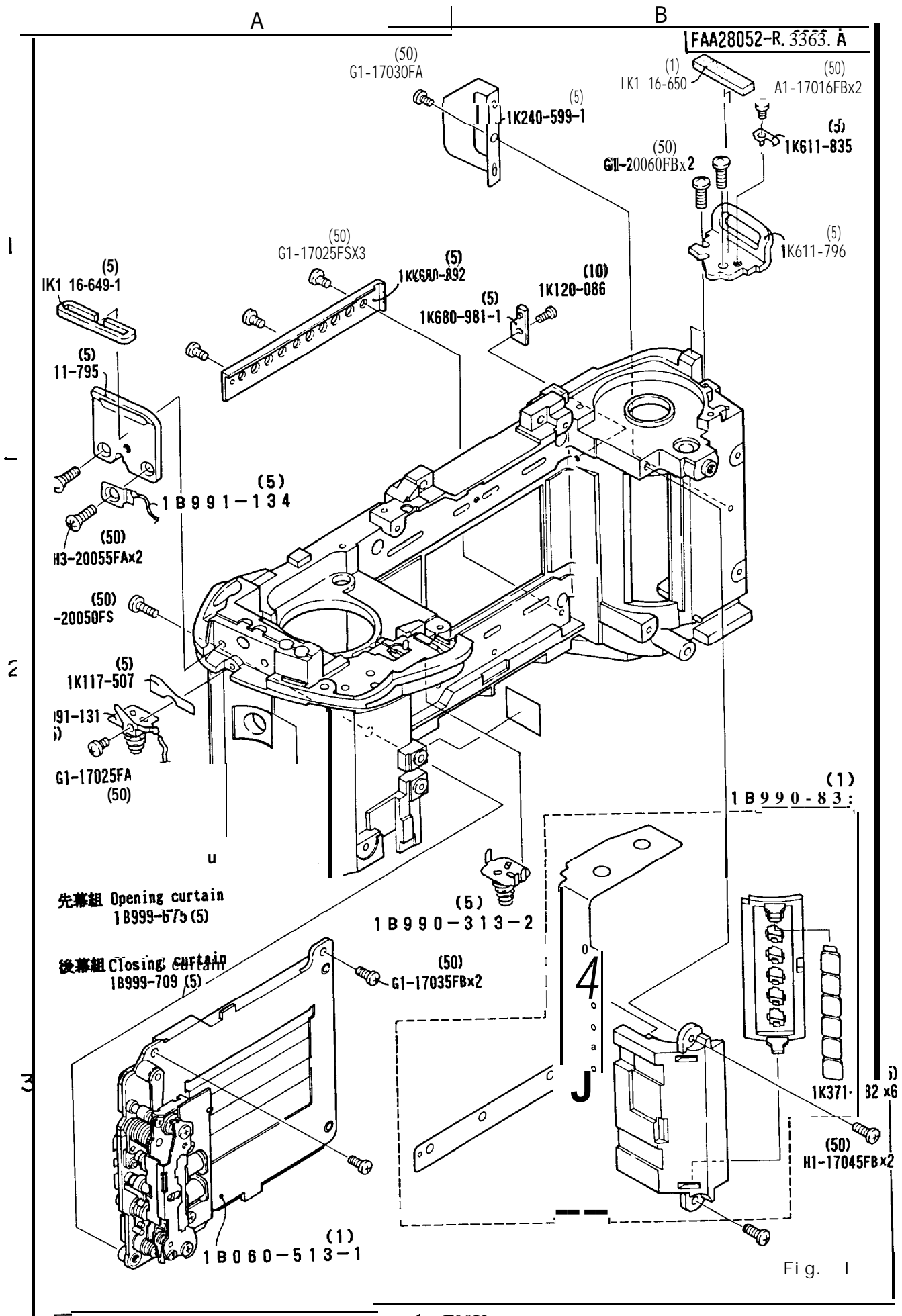


Fig.0





A

B

FAA28052-R. 3363. A

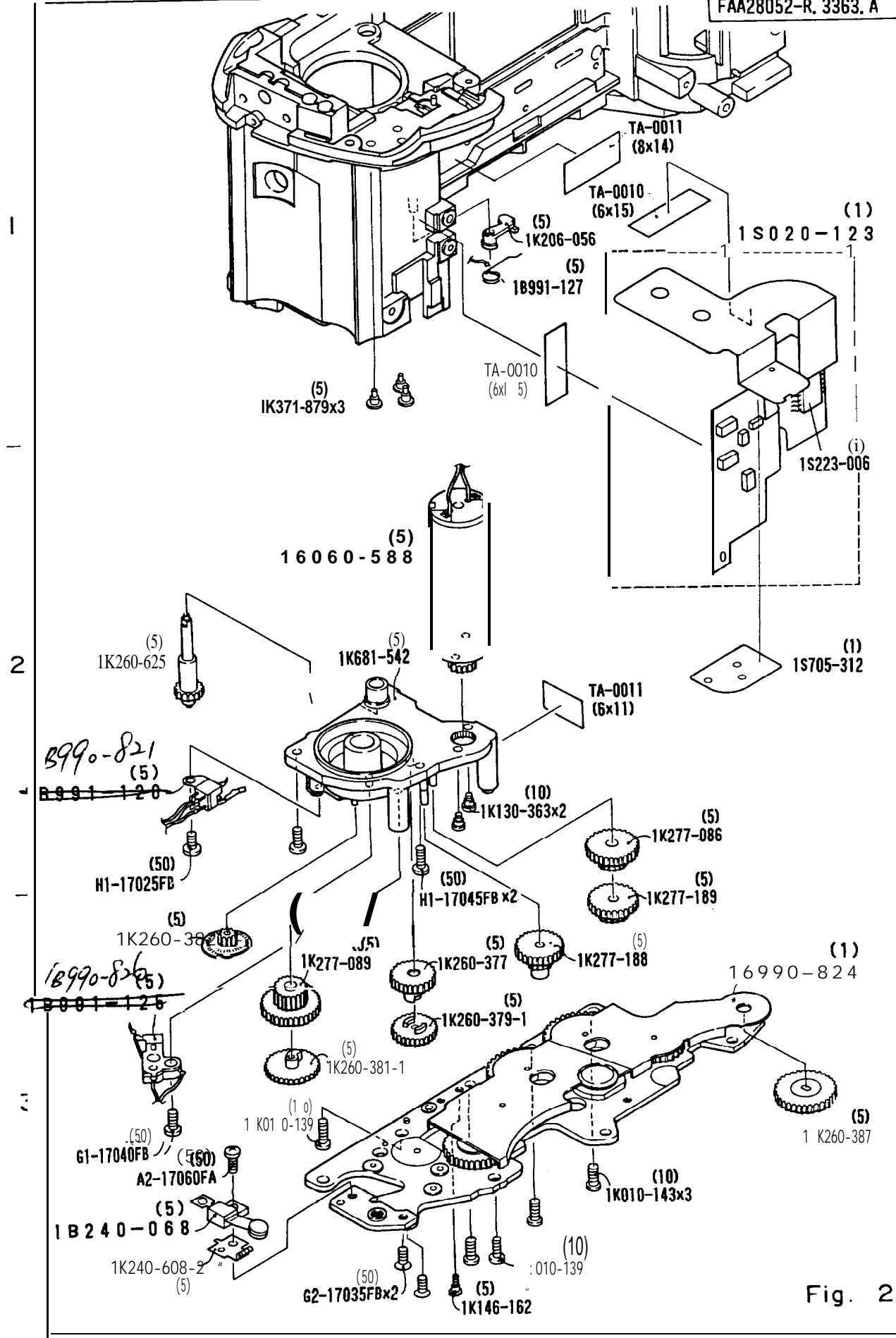


Fig. 2

A

B

FAA28052-R. 3363. A

1B991 -129(1)

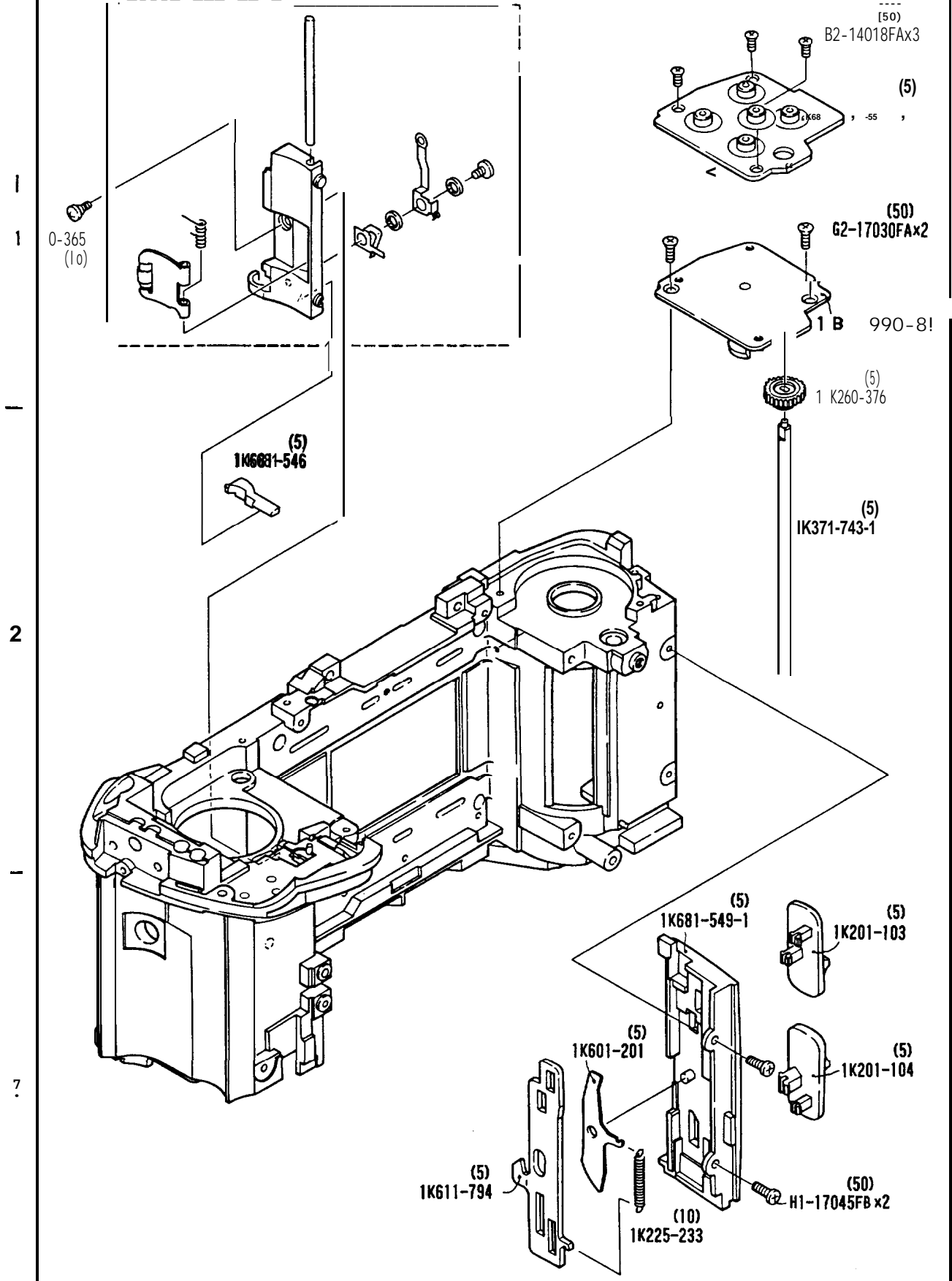


Fig. 3

A

B

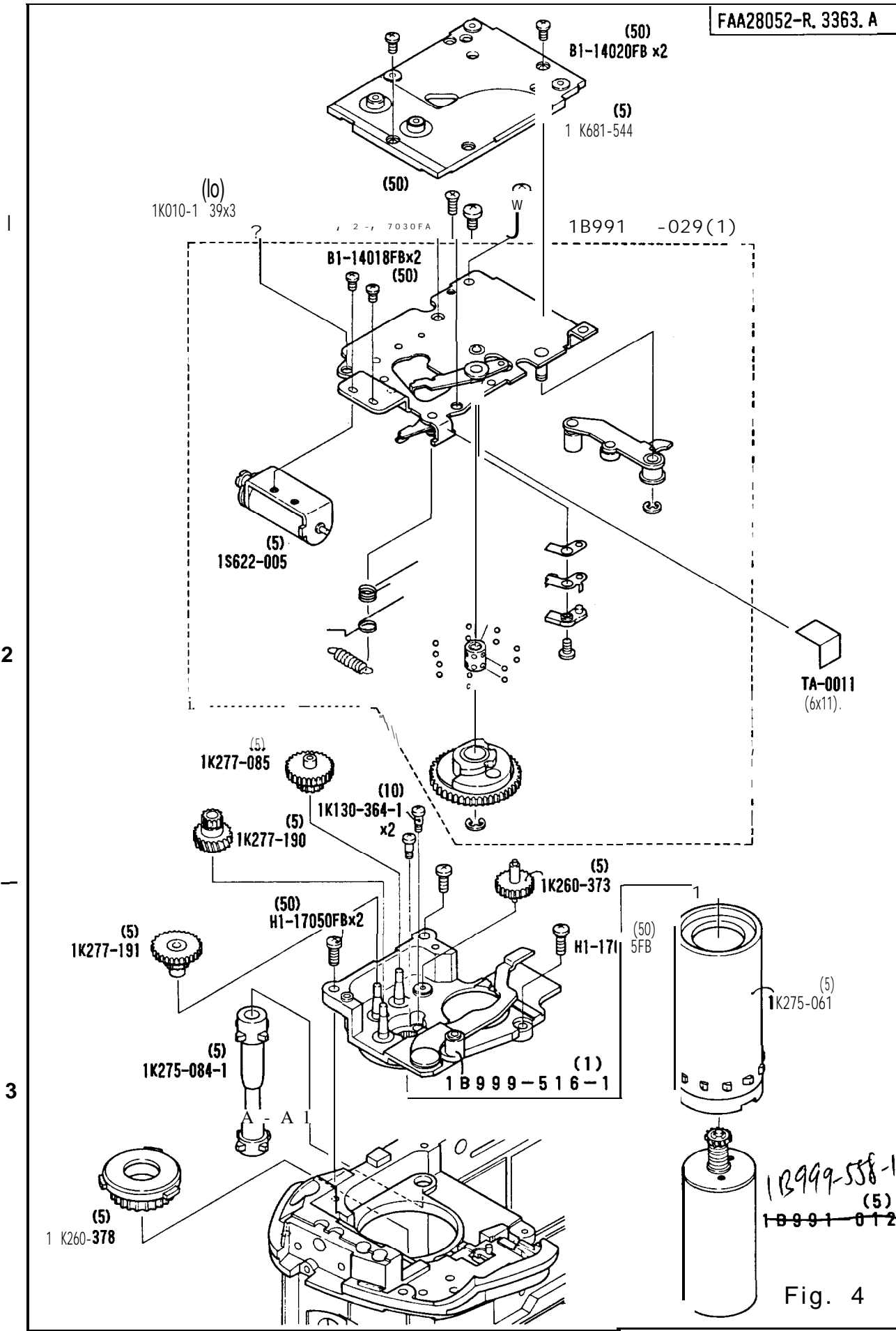


Fig. 4

A

B

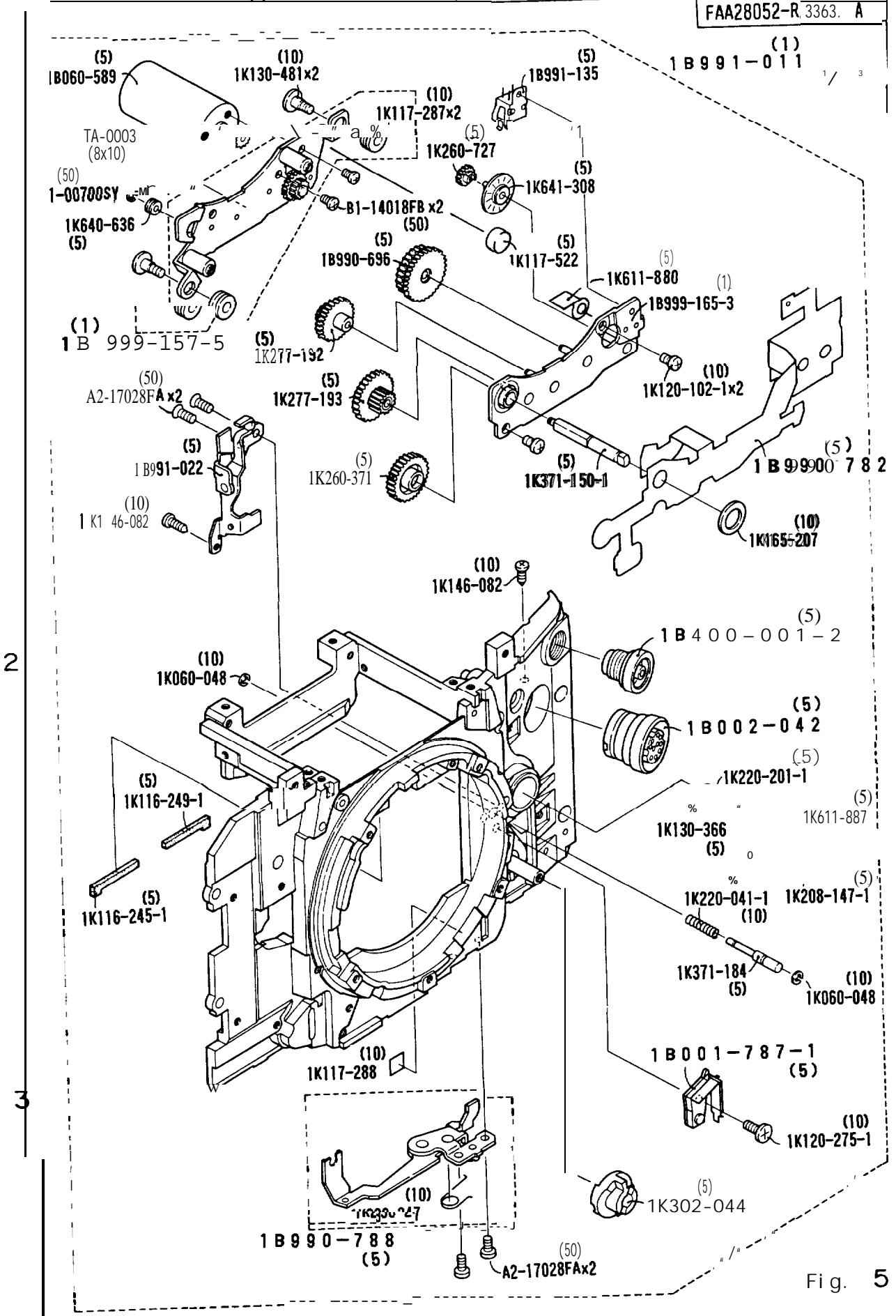


Fig. 5



A

B

(1)  
1B991-011 3/3

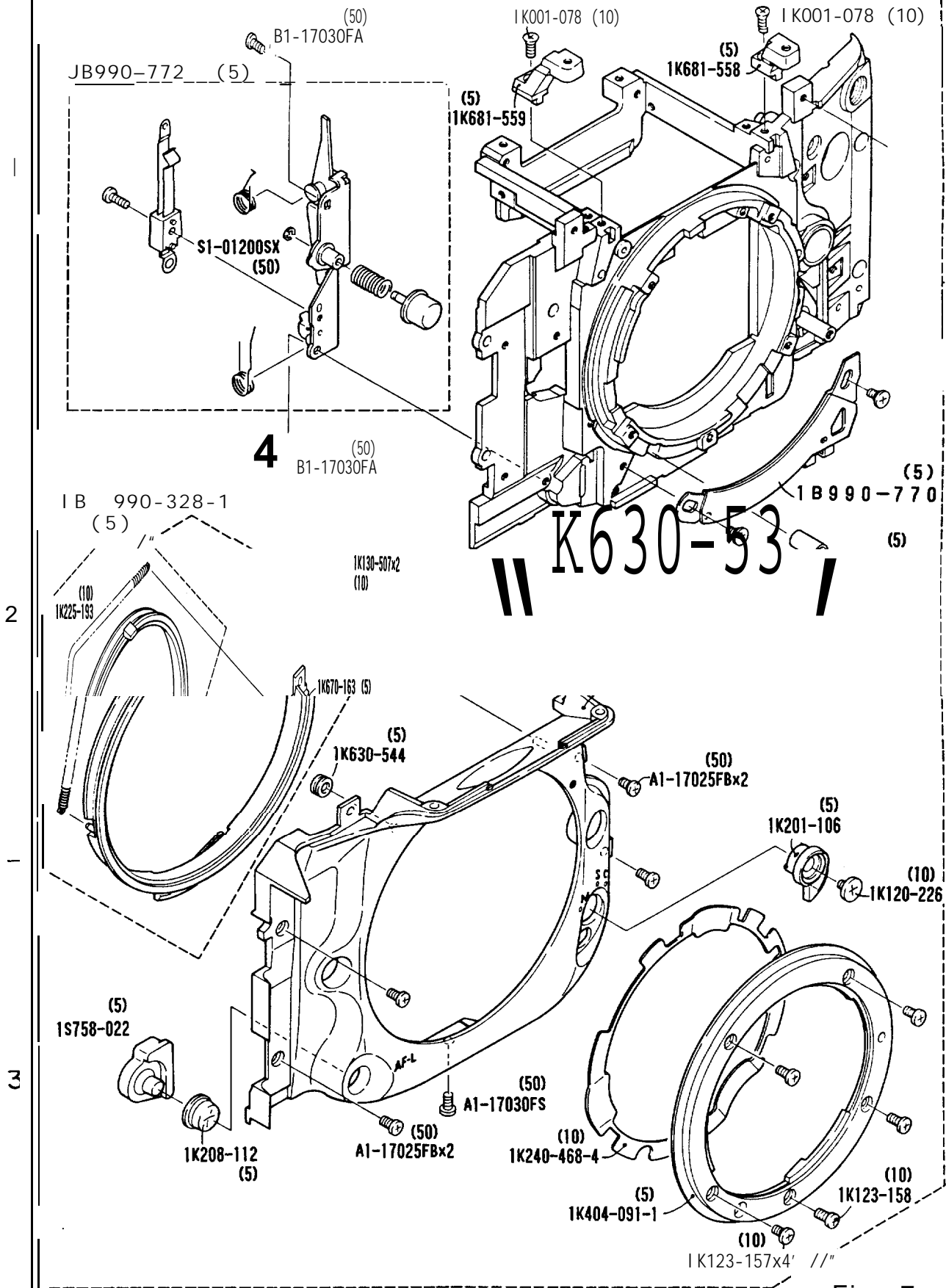


Fig. 7

A

B

FAA28052-R. 3363. A

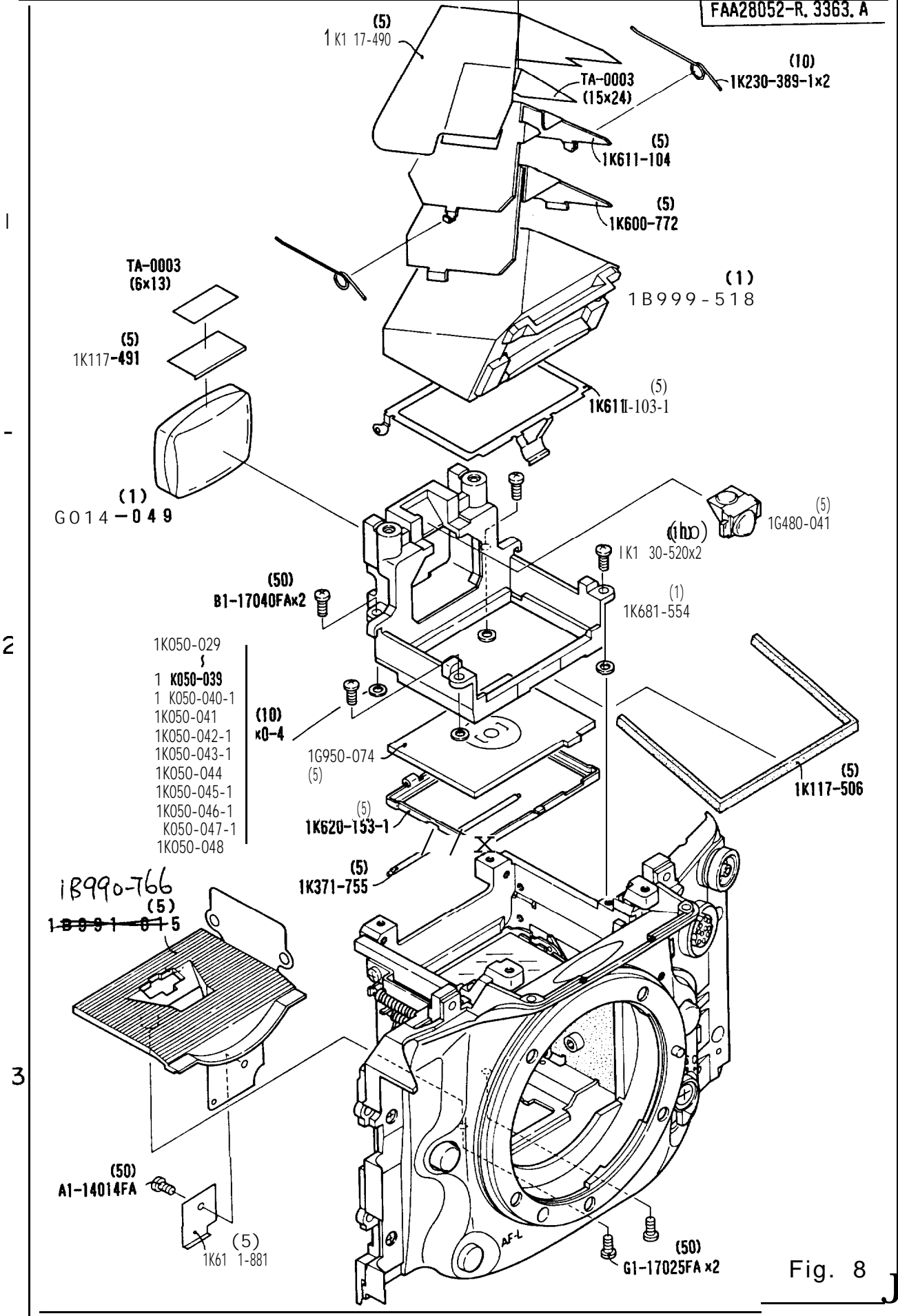


Fig. 8

A

B

FAA28052-R. 3363. A

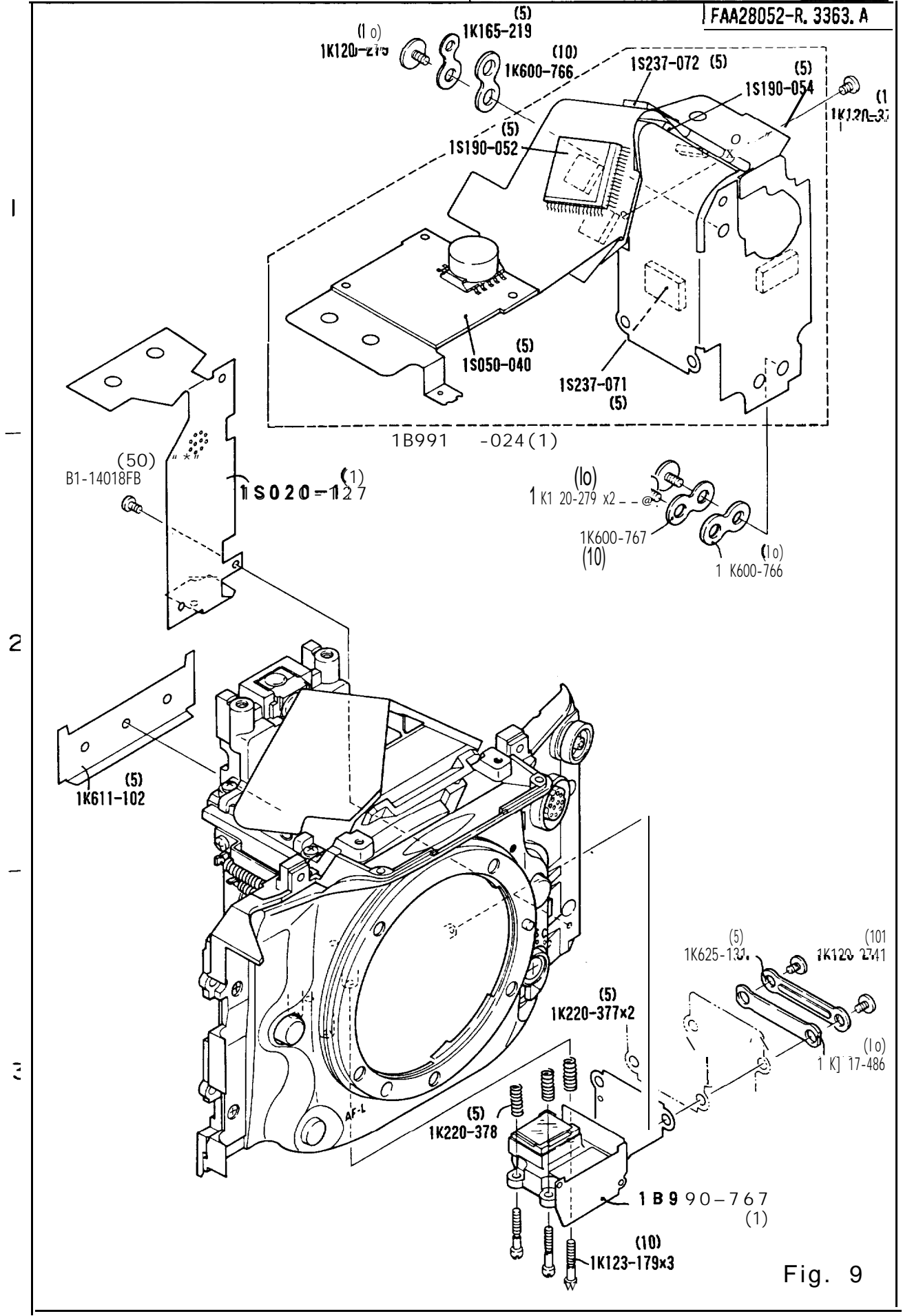


Fig. 9





A

R

FIAA28052-R. 3363. A

(1)  
1B991-009 (F90X)  
1B991-118 (N904) S

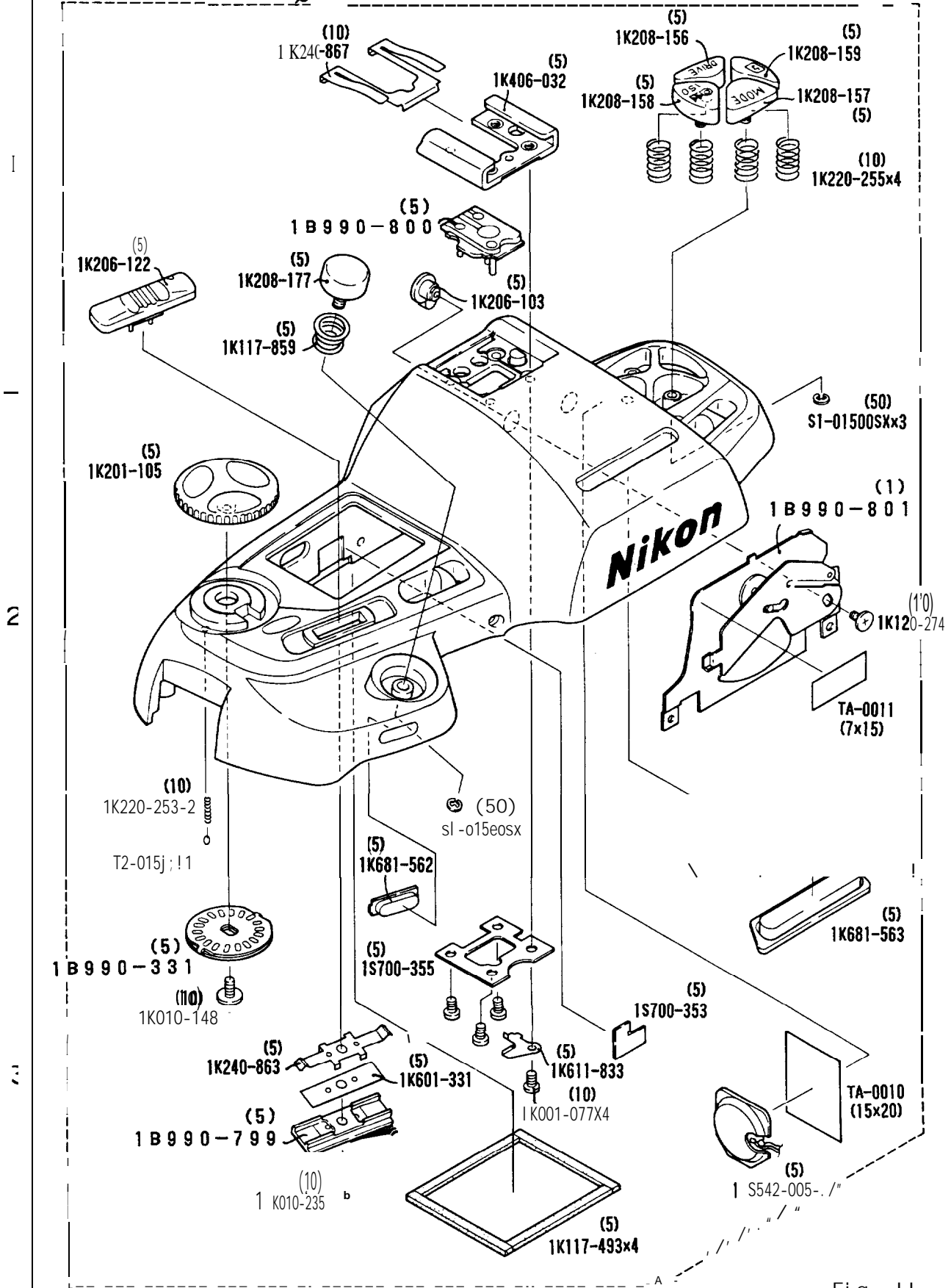
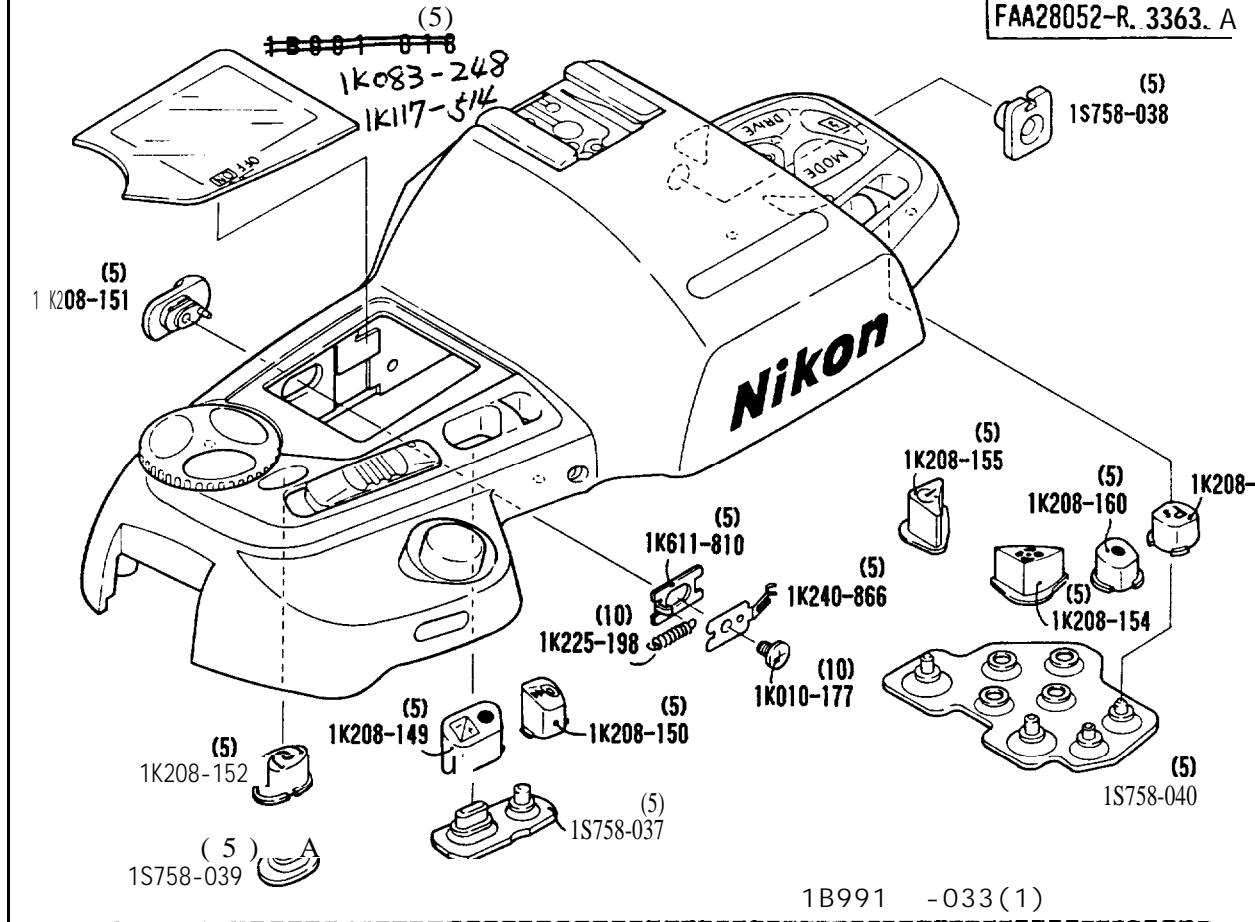


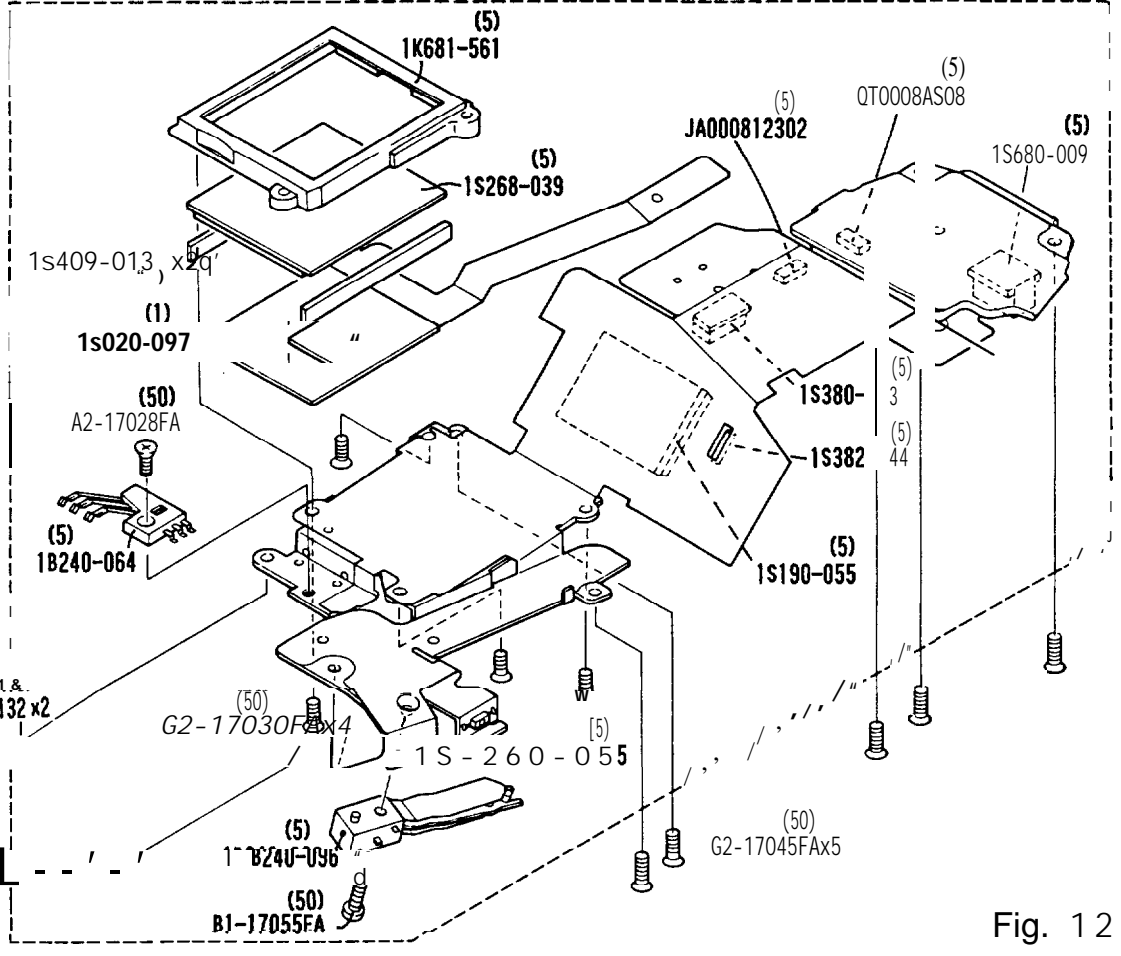
Fig. 11

A

B



2



3

Fig. 12

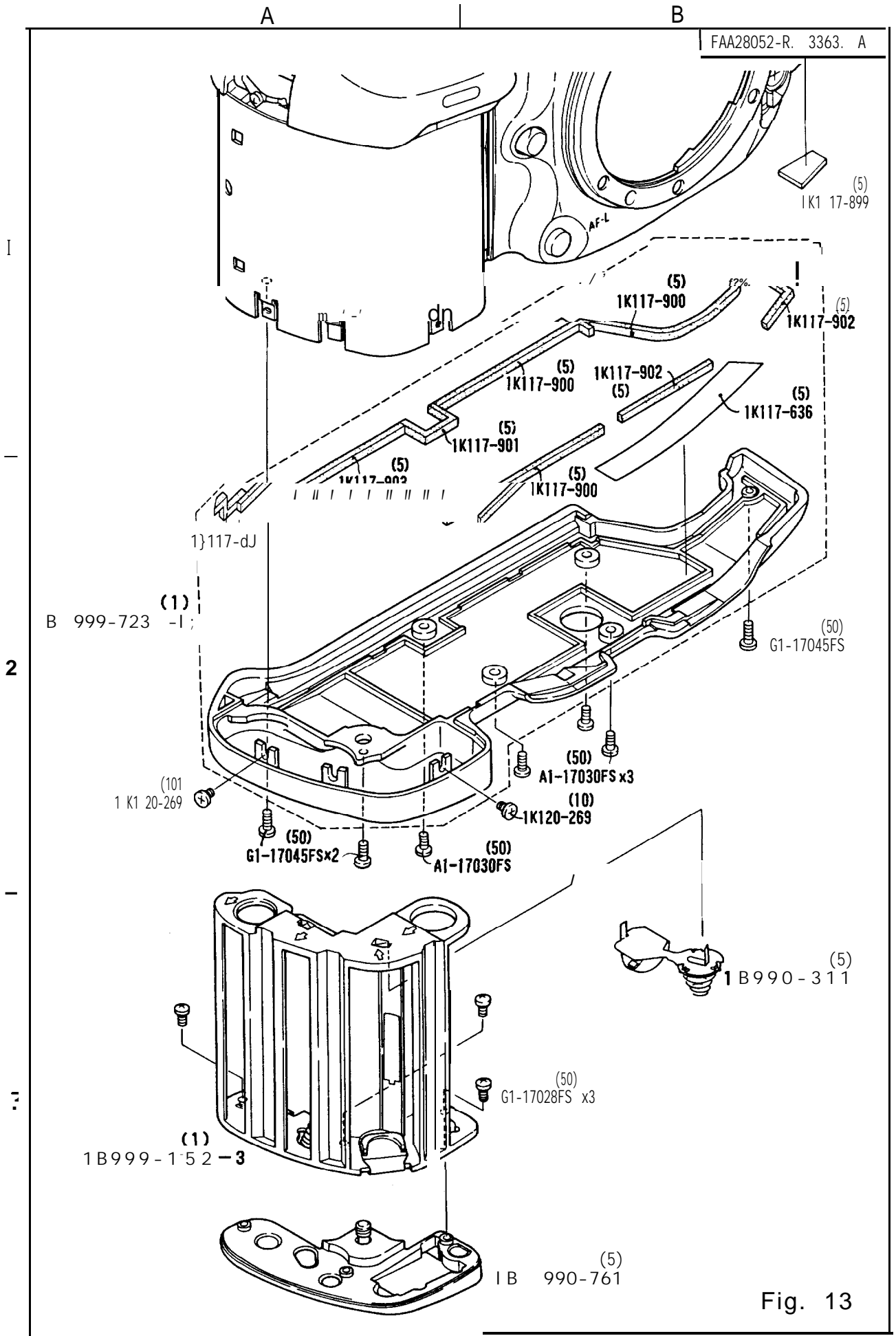


Fig. 13

A

B

1B990-T93  
(1)

~~1B990~~

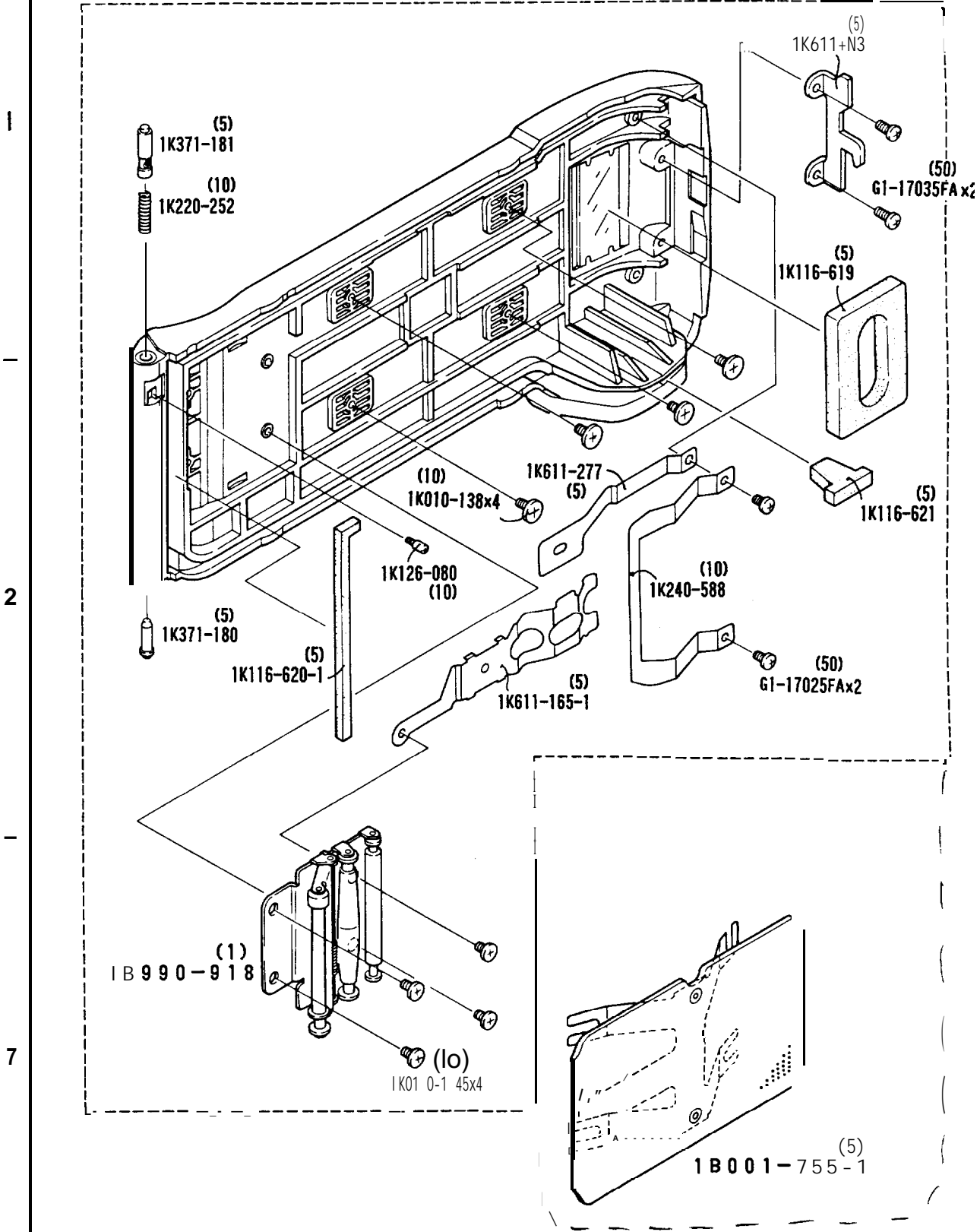


Fig. 14

部品表 Parts List

FAA28052-R. 3363A

部品番号 part No.	補助番号 Ckt No.	名称 Name	1台分 個数 Qty Per Unit	部組品番号 Assembly	参照 □ # Fig. No.	販売区分 Class. of Salabil- ity	備考 Remrks	要求単位 Order Unit Qty
IK001-055 B1-17070F8)	724	Screw (M1. 7)	2		10 82	○	F-W	10
IK001-077	577	Screw (M. 7)	4	18991-009	11 M	OA	F-W	10
IK001-078	650	Screw (W.7)	2	IBB81-011	7 B1	OA	F-W	10
IK010-132	764	Screw	2		12 M	○	F-W	10
IK010-133	624	Screw (B1. 7)	4	IB999-517	14 AZ	OA	F-W	10
IK010-138	841	Screw (B1. 7)	5		2-A3 2-83 4-A1	○	F-W	10
IK010-141	844	Screw (B1. 7)	3		10 AZ	○	F-W	10
*IK010-143	346	Screw (62)	3		2 83	○	F-W	10
*IK010-144	347	Screw (B1. 7)	2	13991-030	10 D1	OA	F-W	10
*IK010-145	646	Screw (B1. 7)	4	18999-517	14 A3	○△	F-90	10
E1K010-146	849	Screw (M2)	1		10 D3	○	F-90	10
IK010-148	517	Screw (B1.7)	1	IB991-009	11 A3	OA	F-W	10
IK010-150	254	Screw	6		10	○	F-W	10
*IK010-177	556	Screw (B1. 7)	1		12 32	○	F-W	10
*IK010-229	773	Screw (PSI. 4)	2		10 C3	○	F-W	10
*IK010-230	775	Screw (B1. 7)	2		10 C2	○	F-W	10

部品表 Parts List

FAA28052-R. 3363. A

部品番号 part No.	補助番号 Ckt No.	名称 Name	1 \$ * 個 数 Q' ty Per Unit	部組品番号 Assembly	参照 図番 Fig. Nn	販売区分 class. of Salabil- i ty	備考 Remmks	要求単位 Order Unit Q' ty
*H(O10-235	739	Screw (PS1. 7)	1	13880-784	11 A3	OA	F-W	10
*1K050-022	801	Washer(T=O. 2)	1	1B881-011	6 BI	OA	F-Bo	10
*1K050-029	811	Washer(T=O.05)	0-4	1B991-011	8 A2	OAD	F-W	10
*1K050-030	811	Washer(T=O.06)	0-4	1B991-011	8 A2	OAD	F-90	10
*1K050-031	811	Washer(T=O.07)	0-4	1B991-011	8 A2	OA	F-90	10
*1K050-032	811	Washer(T=O.06)	0-4	1B991-011	8 A2	OA	F-90	10
*1K050-033	811	Washer(T=O.09)	0-4	1B991-011	8 A2	OAD	F-W	10
\$1 K050-034	811	Washer(T=O. 1)	0-4	1B991-011	8 A2	OAD	F-W	10
*1K050-035	811	Washer(T=O.11)	0-4	1B991-011	8 A2	OAD	F-W	10
*1K050-036	811	hhsher(T=O.12)	0-4	1B991-011	8 A2	OAD	F-W	10
*1K050-037	811	Washer(T=0. 2)	0-4	1B991-011	8 A2	OAD	F-W	10
\$1 K050-038	B11	Washer(T=0. 3)	0-4	1B991-011	8 A2	OAD	F-W	10
*1K050-039	811	Washer(T=O. 4)	0-4	1B991-011	8 A2	OA	F-W	10
*1K050-040-1 (1K050-040)	811	Washer(T=O.5)	0-4	1B991-011	8 A2	OA	F-80	10
*1K050-041	811	Washer(T=O.6)	0-4	1B991-011	8 A2	OAD	F-90	10
\$1 K050-042-1 (1K050-042)	811	Washer(T=O.7)	0-4	1B991-011	8 A2	OAD	F-90	10

部品表 Parts List

FAA28-052-02 2363. A

部品番号 Part No.	補助番号 Ckt No.	名称 Mnle	1台分 個数 Qty Per Unit	部組品番号 AsseabY	*RH 図番 Fig. Nn	販売区分 Class. of 3alabil- ity	備考 Remrks	要求単位 Order Unit Q'ty
*IK050-043-1 (IK050-043)	811	Washer(T=O. 8)	0-4	1B991-011	8 A2	OA	F-86	10
*IK050-044	811	Wssher(T=O. 9)	0-4	18991-011	8 A2	OA	F-W	10
*IK050-045-1 (1 K050-045)	811	Wssher(T=l. O)	0-4	1B991-011	8 A2	OA	F-w	10
*IK050-046-1 OK050-046)	811	Washer(T=L 1)	0-4	1BB91-011	8 A2	OA	F-W	10
*IK050-047-1 (IK050-047)	811	Washer(T=1. 2)	0-4	1B961-011	8 A2	OA	F-w	10
*IK050-048	811	Washer(T=O. 03)	0-4	1B991-011	8 A2	OA	F-W	10
*IK050-112	801	IVasher(T=O. 3)	0-1	16991-011	6 B1	OA	F-90	10
*IK050-144	801	Washer(T=O. 1)	0-1	1B991-011	6 B1	OA	F-96	10
*IK050-393	835	前板取付け基準穴用ワッシャー Wdrer (T=O. 1)	0		10 C2	0	F-86	10
*IK050-394	836	前板取付け基準穴用ワッシャー Washer (T=O. 2)	0		10 (2	0	F-W	10
*IK050-423	776	Washer	2		10 C2	0	F-W	5
*IK060-047-1 (1 K030-047)	624	E-ring	6	1B991-011 18990-818	6-A2 6-A3	OA	F-W	10
SIK060-048	825	E-ring	4	18060-510 18881-011 1B890-B08	5-M 5-83	OA	F-W	10
*IK1 15-660-1	666	アセテートテープ 6x1 3 Cloth tape	1	1B991-011	6 A3	OA	F-96	10
*IK116-124	675	両面テープ 15 x 24 Oouble-sided adhesive tape	1	1B991-011	8 B1	x	TA-0003	1 roll
*IK1 16-245-1	416	ミラー受けモルト A Mirror holder spring A	1	18991-011	5 A8	OA	F-96	5



部品表 Parts List

FAA28052-R, 3363, A

部品番号 Part No.	補助番号 Ckt No.	名称 Name	1&3 個数 Qty Per Unit	部組品番号 Asse&bly	参照 図番 Fig. No.	販売区分 class of Sales ity	備考 Remarks	要求単位 Order Unit Qty
#IK116-249-1	417	ミラー受けモルト B Mirror holder sponge B	1	18991-011	5 A2		F-W	5
#IK116-616-1 (#IK116-616)	958	A F モー FSW) Yti~~~ Cover, focus mode SW knob	1		10 D3	o	F-W	10
#IK116-618	170	フィルム位置マーク Film leader index mrk	1		10 82	o	F-W	10
#IK116-619-1 (#IK116-619)	607	裏蓋窓モルト Sponge, camera back window	1	1B988-517	14 B1	OA	F-W	5
#IK116-620-1 (#IK116-620)	628	裏蓋軸部遮光モルト Light-tight sponge, camera back shaft	1	18999-517	14 M	OA	F-W	5
#IK116-621	629	裏蓋底部遮光モルト Light-tight sponge, camera back bottom	1	1B999-517	14 B2	OA	F-W	5
#IK116-632-1	800	両面テープ 15 x 20 Double-sided adhesive tape	1	1B890-794	11 83	x	TA-0010	1 roll
#IK116-649-1	598	上カバー防滴シール Drip-proof seal, top cover	1		1 A1	⊙	F-90	5
#IK116-650	296	耳環B防滴シール Drip-proof seal, eyelet B	1		1 B1	⊙	F-90	1
#IK116-651	241	電池室遮光テープ 8 x 8 Light-tight tape, battery chamber	1		10 83	x	TA-0006	1 roll
#IK116-685	346	植毛紙 Flocked sheet	1	18991-011	6 A2	⊙Δ	F-90	5
#IK116-678	328	振動防止モルト Vibration-proof sponge	2 1	1B991-011	6 IA2	⊙Δ	F-90	10
#IK116-684	697	ポリエステルテープ 8 x 14 Tape	1		2 B1	x	TA-0011	1 roll
#IK116-655-1	846	コード整理用テープ 6 x 11 Tape	3		24 10 82	x	TA-0011	1 roll
#IK117-174	853	両面テープ 6 x 15 Double-sided adhesive tape	3		2 B1	x	TA-0010	1 roll
#IK117-287	937	防音ゴム Rubber	2	1B991-011 1B999-157-5	5 A1	OA	F-90	10

部品表 Parts List

FAA28052-R. 3363. A

部品番号 Part No.	補助番号 Ckt No.	名称 N W	I 台分 個 数 Q'ty Per Unit	部組品番号 Assembly	参照 図番 Fig. No.	販売区分 (Class. of Salabil- ity	備 考 Remarks	要求単位 Order Unit Q'ty
*1K117-288	939	押さえゴム Rubber	1	1B991-011	5 A3	OA	F-90	10
								10
*1K117-486	292	APセンサー圧接ゴム Press-contact rubber, AF	1		9 B3	○	F-90	10
*1K117-489	418	L基板植毛紙 Flocked sheet, bsseplatel	1	1BWI-011	6 A2	OA	F-W	5
*1K117-490	429	ペンタ押さえ絶縁シート Insulation sheet, pentaprisa	1	1B991-011	8 A1	OA	F-W	5
11 K117-491	433	接眼遮光板 Light-tight plate	1	18%31-011	8 A1	○△	F-90	5
*1K117-493	630	外部LCDゴミ防止用モルト Dust protect sponge	4	1BW3-7B4	11 83	OA	F-W	5
*1K117-506	415	F内LCDゴミ対策用モルト Dust protect sponge	1	[8991-011	8 82	OA	F-W	5
*1K117-507	644	巻上げ側吊環部絶縁用テープ (静電気対策用) Insulation tape	1	1B990-794	1 A2	OA	F-W	5
*1K117-513	677	両面テープ 8 x 10 Dnuble-sided adhesive tape	2	1BD81-011 1B990-791	5 A1	x	TA-0003	1 roll
*1K117-516	954	AFモードSW銘板 Focosamde plate	1		10 D3	○	F-W	5
*1K117-522	927	AFフォトインタラプタ押さえゴム Photo interrupter retainer	1	1B991-011	5 A1	OA	F-BO	5
*1K117-550	658	両面テープ 6 x 13 Oouble-sided adhesive tape	1	1B991-011	8 A1	x	TA-0003	1 roll
*1K117-551	662	ポリエステルテープ 7 X 15 Tape	1	18990-794	11 B2	x	TA-0011	1 roll
1K117-635	419	L基板補助植毛紙 IFlocked sheet, for baseplate L	1		6 B2	○		5
*1K117-636	684	銅箔シート Tpaе. copper foil	2		13 B1	OA	F-W	5

部品表 Parts List

FAA28052- R. 3363. A

部品番号 Part No.	補助番号 Ckt No.	名称 Name	1台分 個数 Qty Per Unit	部組品番号 Assembly	参照 図番 Fig. a	販売区分 ass. of avail- ity	備考 Remarks	要求単位 Order Unit Qty
IK117-659	532	リリース鉤防滴チューブ Tube, release but ton	1		11 Al	o		5
1K117-8B9	868	防滴ネオスポンジ Sponge	1		13 BI	o		5
IK117-900	868	防滴ネオスポンジ Sponge	1		13	o		5
IK117-901	870	防滴ネオスポンジ Sponge	1		13 BI	o		5
1K117-902	871	防滴ネオスポンジ Sponge	1		13 BI	o		5
IK117-903	872	防滴ネオスポンジ Sponge	1		13 A2	o		5
IK117-907	878	防滴ネオスポンジ pong	1		13 A2	o		5
IK120-086	793	Screw (W. 4)	1		1 BI	o	MO	10
IK120-102-I	926	Screw (W. 7)	2	18991-011	5 BI	OA	F-w	10
IK120-226	951	Screw (M. 7)	1	1B8B1-011	7 83	OA	lwo	10
IK120-269	781	Screw (ML4)	2		13	o	F-W	10
IK120-272	787	Screw (M2)	2		10 IX	o	F-90	10
IK120-274	294	Screw (1L4)	3	1B990-7B4	9 11	OA	F-W	10
IK120-275-1 (IK120-275)	507	Screw (M. 7)	2	1B991-011	5-E 6%	OA	F-90	10
IK120-279-1 (IK120-279)	289	Screw (M. 7)	3		9-A 9%	o	F-W	10
IK120-374	717	Screw (M1.4)	2	1B991-011	6 83	OA	F-80	10

部品表 Parts List

FAA28052-R. 3363. A

部品番号 Part No.	補助番号 Ckt No.	名称 msae	1台分 個数 Qty Per Unit	部組品番号 Assembly	参照 図番 Fig. Nl	販売区分 Class. of Salabil- ity	備考 Remarks	要求単位 Order Unit Qty
F1K120-376	786	Screw	1		9 B1	O	F-90	10
F1K120-377	791	Screw (M. 7)	2		10 D1	O	F-W	10
F1K123-157 (1K123-046)	473	Screw W)	4	18991-011	7 83	OA	F-90	10
F1K123-158	475	Screw W)	1	<b>1B991-011</b>	7 63	OA	F-Bo	<b>10</b>
F1K123-179	405	Screw (M. 4)	3	1B881-011	9 63	OA	F-W	10
F1K123-180	723	Screw (Jl. 7)	2		10 D2	O	F-W	10
F1K126-063	178	Screw (U1.4)	1		10 82	O	F-Bo	10
F1K126-080-1 (1K126-080)	636	screw	1	16899-517	14 A2	OA	F-W	10
F1K130-249	789	Screw (III. 7)	1	<b>1B991-011</b>	6 B1	OA	F-90	10
F1K130-363	782	Screw (W. 4)	2		2 82	O	<b>F-90</b>	<b>10</b>
F1K130-364-1 (1K130-364)	783	Screw (W. 4)	2		4 A2	O	F-W	10
F1K130-365	734	Screw W. 4)	1		<b>3</b> A1	O	<b>F-90</b>	<b>10</b>
F1K130-366	444	レンズ着脱軸 Lens release shaft	1	<b>1B991-011</b>	<b>5</b> <b>62</b>	<b>OA</b>	<b>F-90</b>	<b>5</b>
F1K130-481  T  T	918	Screw (M. 7)	2	<b>1B991-011</b>	<b>5</b> A1	OΔ	F-W	10
		Screw (W. 7)	2	1B9B1-011	7 82	OA	F-W	10
		Screw	2	1B991-011	8-A2 8-82	O A	<b>F-90</b>	<b>10</b>

部品表 parts List

FAA28052-R. 3363. A

部品番号 Part No.	補助番号 Ckt No.	名称 Name	1** 個数 Qty Per Unit	部組品番号 Assembly	*RI □ Fig. No.	販売区分 Class. of 3slabil- ity	備考 Remrks	要求単位 Order Unit Qty
\$1 K146-082	771	3crew (M. 4)	3	18991-011 1B9R0-818	5 10	OA	F-W	10
*1K146-162	90	裏蓋SWピン Pin, camera back3W	1		2 M	○	F-W	5
*1K165-207	938	Washer (Rubber)	1	1B991-011	5 82	OA	F-W	10
1K165-219	280	レンズ接点FPC. 圧接ゴム Rubber, lens press-contact	1		9 BI	○		5
*1 KX)1-103	225	裏蓋開閉ノブA Caners tmck open/close knob A	1		3 83	○	F-W	5
*1K201-104	226	裏蓋開閉ノブB Camera back open/close knob B	1		3 83	○	F-W	5
*1 K201-105	515	電子ダイヤル Electrical dial	1	1B990-794	11 M	OA	F-W	5
*1K201-106	!%0	AFモードSWノブ Knob, focus mde SW	1	1B991-011	7 83	OA	F-W	5
*1K206-056	91	~ s w ~ , < - lever. camera back SW	1		2 BI	○	F-W	5
*1K206-103	594	アイ &-XbJi- Knob. eyepiece shut t er	1	1B991-009	11 AI	OA	F-W	5
1K206-122	541	~ s w ~ J < - Power W lever	1	1B991-009	11 AI	OA		5
*1K208-112	491	AFロック釦 AF lock button	1	1B991-011	7 A3	○△	F-90	5
*1 K208-147-1 (1K208-147)	441	レンズ着脱釦 Lens release button	1	1B991-011	5 B3	○△	F-90	5
*1K208-149	546	露出補正釦 Exposure coaipensst ion button	1		12 A2	○	F-90	5
*1K208-150	547	R釦 Fi In rewind button	1		12 A2	○	F-90	5
*1K208-151	552	AEロック釦 M lock button	1		12 A1	○	F-90	5

部品表 Parts List

FAA28052- R. 3363. A

部品番号 Part No.	* H % Ckt No.	名称 Name	1台分 個数 Qty Per Unit	部組品番号 Assesbly	参照 図番 Fig. Nn	販売区分 Class. of Salabil- ity	備考 Remsrks	要求単位 Order Unit O'ty
*1 K208-152	564	WE- M I I I Focus area button	1		12 A2	○	F-W	5
*1K208-153	580	PS8U Ps button	1		12 B1	●	F-W	5
*1 K208-154	583	マルチ鈕 Metering system button	1		12 B1	●	F-W	5
*1 K208-155	584	セルフ鈕 Self-timer button	1		12 B1	○	F-90	5
*1K208-156	585	ドライブ鈕 Drive button	1	1B991-009	11 B1	○△	F-90	5
*11(208-157	586	モー i-m Mode selector button	1	1BB91-009	11 B1	OA	F-90	5
*1K208-158	587	R/ I S O鈕 Film speed/film rewind button	1	1BB91-009	11 B1	OA	F-W	5
*1K208-159	588	75 ッ シュ切替え鈕 Flash syocmde button	1	18991-008	11 B1	OA	F-W	5
*M208-160	580	リセット鈕 Reset button	1		12 B1	●	F-BO	5
1K208-177	531	レリーズ鈕 Shutter release button	1	1B891-009	11 A1	OA		5
*1Kzo-041-1 (1K220-041)	446	レンズ着脱鈕バネ Spring. lens release button	1	18991-011	5 83	OA	F-W	10
*1K220-201-1	445	I/ ンズ着脱軸バネ Spring, lensreleaseshsft	1	1BB91-011	5 B2	OA	F-W	5
*M220-252	637	裏蓋軸着脱バネ Spring, camera bscksulft release	1	1B999-517	14 A1	OA	F-BO	10
*H(220-253-2 (1 K220-253)	519	電子ダイヤルクリックバネ Spring, electrical dial click	1	1B991-009	11 A2	OA	F-W	10
*1K220-255	569	鈕バネ Spring	4	1B9B1-009	11 B1	OA	F-w	10
*1K220-377	407	A Fセンサー調整バネ Adjustment spring, AF sensor	2	18981-011	9 83	OA	F-W	5

部品表 parts List

FAA28052-R. 3363. A

部品番号 Part No.	補助番号 Ckt No.	名称 Name	1台分 個数 Qty Per Unit	部組品番号 Assembly	参照 図番 Fig. No.	販売区分 Class. of Stability	備考 Remarks	要求単位 Order Unit Qty
1K220-378	406	AFセンサー調整バネ Adjustment spring. AF sensor	1	18991-011	9 A3	OA	F-W	5
1K225-175	306	ミラーアップ縦レバー戻しバネ Spring. Mirror-up lever reset	1	18691-011	6 AZ	OA	F-B0	10
1K225-176	310	絞りレバー駆動バネ Spring. aperture lever actuator	1	1B991-011	6 AZ	OA	F-W	10
1K225-193	434	F-F0バネ F-Fo spring	1	16990-328-1 16991-011	7 AZ	OA	F-96	10
1K225-198-1 1K225-198)	%5	AEロックバネ AE lock spring	1		12 AZ	0	F-W	10
1K225-233	222	裏蓋開閉キーバネ Spring, camera back open/close key	1		3 63	0	F-96	10
1K225-236	313	絞り戻しバネ Aperture reset spring	1	1B991-011	6 AZ	OA	F-W	10
1K230-247-1 1K230-247)	832	AF横レバーバネ Spring. AP lever	1	18991-011 1B990-788	5 A3	OA	F-W	10
1K230-247-1 (1K230-247)	932	AF横レバーバネ Spring. AF lever	1	1B991-011 18990-738	5 A3	OA	F-W	10
1K230-257-1 (M230-257)	324	シャッターリリースレバーバネ Spring, shutter release	1	1B991-011	6 AZ	OA	F-W	10
1K230-258-2 (1K230-258-1)	341	絞りカウンター円盤バネ Spring. aperture counter disc	1	1B9B1-011	6 AZ	OA	F-96	10
1K230-389-1 (1K23&389)	427	ペンタ押さえバネ Retainer spring. pentaPrism	2	1B991-011	8-A1 8-B1	OA	F-W	10
MZ30-414	410	主ミラーダウンバネ Mirror-down spring	1	1B991-011	6 B1	OA		5
1K230-415	305	ミラーアップバネ Mirror-up spring	1	1B991-011	6 AZ	OA		5
1K233-052	397	サブミラーバネ Sub-mirror spring	1	1B100-636 18990-763	6 A1	OA	F-W	5
1K240-468-4 (1K240-46B-2)	472	バヨネットバネ Bayonet spring	1	1B990-763	7 83	OA	F-W	10

部品表 Parts List

FAA28052- R. 3363. A

部品番号 Part No.	補助番号 Ckt No.	名称 Name	個数 Qty Per Unit	部組品番号 Assembly	図番 Fig. No.	販売区分 Class. of Sslabil-ity	備考 Reiusrks	要求単位 Order Unit Qty
*1 K240-588-2 (1K240-588)	631	バトロローネ規制バネ Film cartridge atopper spring	1	1B999-517	14 62	OA	F-W	10
*1 K240-599-1 (1 K240-599)	217	バトロローネ押さえバネ Spring. fila cartridge retainer	1		1 Bl	o	F-W	5
*1K240-608-2 (1K240-608)	96	電池SW接片 BATTERY switch contact	1		2 A3	0	F-W	5
*1K240-863	542	クック板 (電源SW板A) Click spring	1	1B890-784	11 M	OA	F-W	5
*1K240-866	557	AEロックSW接片 AE lock W contact	1		12 Bl	0	F-W	5
\$11(240-867	573	シューバネ She spring	1	1B990-794	11 Al	OA	F-W	10
*1 K260-371	910	AFカップリングギア AF coupling gear	1	18990-763	5 AZ	OA	F-W	5
*1K260-373	108	減速ギアR Reducing gear R	1		4 33	0	F-W	5
*1 K260-376	165	巻き戻し連結ギアL Rewind coupling gear L	1		3 82	0	F-W	5
*1K260-377	50	フィルム給送モーター減速ギアF Reducing gear F, film advance rotor	1		2 A3	0	F-90	5
*1K260-378	52	74 ルム給送モーター減速ギアH Reducing gear H. film advance rotor	1		4 A8	0	F-W	5
*1K260-379-1 (1K260-379)	53	74 ルム給送モーター減速ギアW Reducing gear W. film advance rotor	1		2 M	0	F-W	5
*1K260-381-1	58	基準ギア Reference gear	1		2 A3	0	F-W	5
*1K260-382	59	カウンタギア Counter gear	1		2 A3	0	F-90	5
*1K260-387	85	巻き戻し連結ギアK Rewind coupling gear K	1		2 83	0	F-W	5
*1K260-397-1 (1K260-397)	339	絞りカウンタ円盤 Aperture counter disk	1	18991-011	6 A3	OA	F-90	5



部品表 Parts List

I FAA28052-R. 3363. A

部品番号 part No.	補助番号 Ckt No.	名称 Name	1台分 個数 Qty Per Unit	部組品番号 Assembly	参照 図番 Fig. No.	販売区分 class. of alabil- ity	備考 Remarks	要求単位 kder hit ity
1K260-625	57	スプロケットギア Sprocket gear	1		2 A2	○	F-w	5
1K260-727	821	フォイントラプタ円板ギア Gear	1	1B991-011	5 A1	OA		5
11 K275-061	55	スプール Spool	1		4 83	○	F-W	5
1K275-084-1 (1K275-084)	56	スプロケット Sprocket	1		4 A3	○	F-W	5
m(277-085)	108	減速ギアQ Reducing gear Q	1		4 A2	○	F-80	5
1K277-086	47	7411/.&MS-9-k&i?i1+7A Reducing war A, film advance motor	1		2 82	○	F-W	5
11 K277-089	51	74 ルム給送モーター減速ギアG Redocing gear C. film advance motor	1		2 A3	○	F-80	5
K277-188	48	74 ルム給送モーター減速ギアB Reducing gear B, film advance rotor	1		2 88	○		5
1K277-189	49	74 ルム給送モーター減速ギアC Redocing gear C. film advance rotor	1		2 83	○		5
1K277-180	106	減速ギアO Redocing gear O	1		4 A2	○		5
1K277-191	107	減速ギアP Reducing gear P	1		4 M	○		5
1K277-182	808	AFギア4 AF gear 4	1	1B8W-011	5 A1	OA		5
X277-193	809	AFギア5 AF gear 5	1	18881-011	5 A1	OA		5
1K302-044	%2	AFモードSWカム APmdeswca9	1	18881-011	5 83	OA	F-80	5
1K371-150-1 (1K371-150)	911	AFカップリング軸 AF cooplign abaft	1	1B881-011	5 82	OA	F-W	5

部品表 Parts List

FAA28052-R. 3363. A

部品番号 part No.	補助番号 Ckt No.	名称 NMe	1台分 個数 Qty Per Unit	部組品番号 Asseably	参照 図番 Fig. No.	販売区分 Class. of Stabil- i ty	備考 Remsrks	要求単位 Order Limit Qty
\$1 K371-180-1 (1K371-180)	634	裏蓋軸A @era back shaft A	1	18999-517	14 A2	OA	F-W	5
*1K371-181-1 (1K371-181)	635	裏蓋軸B Camersbacksbsft B	1	1B999-517	14 A1	OA	F-9o	5
*1K371-182	216	D X接点 DX contact	6	18990-832	1 63	OA	F-9o	15
\$1 K371-184	443	レンズ着脱ピン Lens release pin	1	1B991-011	5 83	OA	F-W	5
*1 K371-743-1 (1K371-743)	166	巻き戻し連結軸 Rewind coupling shaft	1		3 82	0	F-90	5
*1K371-755	423	スクリーン枠支持軸 shaft. screen frsae support	1	18s91-011	8 A3	OA	F-9o	5
1K371-879	264	オプショングリップ用 信号ピン Signal pin for grip optional	3		2 A1	0		5
*1K404-091- 1 (1K404-091)	471	バヨネット Bayonet	1	16991-011	7 83	OA	F-9o	5
*1 K406-032	571	> z - Shue	1	18991-009	11 B1	OA	F-90	5
\$1 K467-156	4a	リモートコネクターキャップ Remote connecter cap	1		10 D3	0	P-w	5
*1 K467-157	470	シンクロキャップ sync cap	1		10 D2	0	F-W	5
*1K600-762	282	圧接ゴム Press-contact rubber	6		10	0	F-w	10
\$1 K600-763	2E3	圧接押さえ板 Press-contact retainer plate	3		10	0	F-9o	10
*1K600-766	287	A F接点F P C圧接ゴム FPC press-contact rubber	2		9-B1 8-82	0	F-w	10
*1 K600-767	238	A F基板F P C圧接板 FPC press-contact plate	1		9 82	0	F-90	10
*1 K600-772	428	ペンタ押さえシート Pentapris9 retainer sheet	1	1B991-011	8 B1	0 A	F-90	5

部品表 Parts List

FAA28052- R. 3363. )

部品番号 Part No.	補助番号 Ckt No.	名称 Name	1台分 個数 Qty Per Unit	部組品番号 Assembly	参照 図番 Fig. No.	販売区分 Class. of Salabil- ity	備考 Remarks	要求単位 Order Unit Q' ty
*IK601-199	175	実装カバー板 Cover plate	1		10 C3	○	F-90	5
*IK601-201	224	裏蓋開閉キーロック bJ<- Lever, caners back open/close key lock	1		3 B3	○	F-90	5
IK601-331	540	電源SWレバー防滴板 Power 3W lever plate	1	IBBB1-009	11 A3	OA		5
*IK611-102	413	ミラー後部遮光板 Rear mirror light baffle plate	1		9 M	○	F-WI	5
IK611-103-1 (IK611-103)	425	視野枠 Viewfield frame	1	18991-011	8 BI	OA	F-W	5
*IK611-104	426	ペンタ押さえ板 Pentapriam retainer plate	1	1B991-011	8 BI	○△	F-90	5
*IK611-123-1 (1 K611-123)	345	アオ'J防止板 Flop preventative plate	1	1B991-011	6 A1	○△	F-90	5
*IK611-165-1	622	板バネ Plate	1	16999-517	14 A2	OA	F-90	5 1
*IK611-277	633	#p<* Plate	1	1B999-517	14 82	OA	F-90	5
*IK611-790	36	71) ッj Grip	1		10 M	○	F-96	5
*IK611-794	221	裏蓋開閉キー板 Camera back open/close key plate	1		3 A3	◎	F-90	5
*IK611-795	231	吊環 (5''). > プ側 Neckstrap ring (Grip side)	1		1 A1	◎	F-90	5
*IK611-796	232	吊環 (巻き戻し側) Neckstrap ring (Fi 10I rewind side)	1		1 BI	◎	F-90	5
*1 K611-810	554	AEロックスライダー板 Plate, M lock slider	1		12 BI	◎	F-90	5
*1 K611-813	609	裏蓋爪 Camera back latch	1	1B9B9-517	14 BI	OA	F-W	5
*IK611-814	663	7) ッp導電板 Crip conductive plate	1		10 83	○	F-90	5

部品表 Parts List

FAA28052-R.3363.A

部品番号 Part No.	補助番号 Ckt No.	4 3 * Name	1 & * 個数 Qty Per hit	部組品番号 Assealby	*R 図番 Fig. No.	販売区分 Class. of 3alabil- ity	備考 Remarks	要求単位 Order Unit Qty
*1K611-833	639	静電気対策用ラグ板A Lug plate A	1	1B881-009	1 83	OA	F-w	5
*1K611-835	641	静電気対策用ラグ板C Lug plate C	1		1 B1	0	F-80	5
*1K611-880	857	曲げ板 Bent plate	1		5 B1	0	F-W	5
*1K611-881	638	'm-m 押さえ板 TTL-FPC retaining plate	1		8 A3	0	F-W	5
IK611-B87	442	レンズ着脱板 Lens release plate	1	1B881-011	5 82	OA		5
*1K620-153-1 (1K620-153)	422	スクリーン枠 Screen frame	1	1B991-011	8 A2	OA	F-W	5
*1K625-131	283	AFセンサー圧接基板 Press-contact baseplate	1		9 83	0	F-w	5
*1K630-531	%6	AFカップリングチューブ #coupling tube	1	16881-011	7 82	OA	F-W	5
*1K630-544	485	F-F0バネローラー F-llspring roller	1	1B891-011	7 A2	OA	F-W	5
*1K630-548-1 (1K630-548)	309	絞りローラー Aperture roller	1	1B881-011	6 A2	OA	F-W	5
*1K640-636	913	AFカップリングカラー AF coupling collar	1	1B891-011	5 A1	OA	F-80	5
IK641-308	823	AFカウンター円板 AF counter disk	1	18881-011	5 B1	OA		5
\$1 K670-163	z	エプロン Apron	1	18881-011	7 82	OA	F-W	5
*1 K680-892	180	DB接点カバー Osta back contact cover	1		1 A1	0	F-w	5
*1K680-896	39	裏蓋受けゴム Camera back cushion rubber	1		10 A3	0	F-W	5
*1K680-897-3 (1K680-897-2)	40	裏蓋ヒンジカバー Camera back hinge cover	1		10 A3	0	F-W	5

部品表 Parts List

FAA28052-R. 3363. A

部品番号 Part No.	補助番号 Ckt No.	名称 Nam	1台分 個数 Qty Per Unit	部組品番号 Assembly	参照 図番 F#.	販売区分 Class. of Salabil- ity	備考 Remarks	要求単位 Order Unit Qty
*1K&W-WI-1	177	パトロネ受け Fila cartridge set mold	1		1 A1	0	F-8o	5
\$1 K681-542	41	7-フィルム給送モーター基板 Filnadvance rotor base plate	1		2 A2	0	F-8D	5
*1 K661-544	119	上地圧接基板 Press-contact base plate	1		4 B1	0	F-9o	5
*1K681-546	186	F検知環 Film detecting ring	1		3 A2	0	F-8o	5
*1 K681-549-1 (1 K661-549)	220	裏蓋開閉キーモールド座 Cawers back open/close key mld base	1		3 83	0	F-9o	5
*1 K681-551	281	圧接基板 Press-contact bsse plate	1		3 B1	0	F-9D	5
*1K681-554	421	プリズムボックス Prism box	1	18991-011	8 82	OA	F-8o	1
\$1 K681-55B	454	表示系ブロック保持脚A Display block supporter A	1	18991-011	7 B1	OA	F-8o	5
*1K681-559	455	表示系ブロック保持脚B Display block supporter B	1	18981-011	7 A1	OA	F-9o	5
*1K681-561	561	外部LCDハウジング LCD housing	1	18991-033	12 A2	OA	F-8o	5
*1 K681-562	567	セルフ窓 Self-timer window	1	18881-009	11 M	OA	F-W	5
*1K661-563	568	採光窓 Lighting window	1	18991-009	11 63	OA	F-9o	5
\$1 K631-564	568	~QJ#*/<- Neckstrap cover	1		10 A2	0	F-9o	5



部品表 parts List

FAA2305208 3.63 A

部品番号 part No.	補助番号 Ckt No.	% t k Name	1台分 個数 Q' ty Per Unit	部組品番号 Assembly	*RR El # Fig. Nn	販売区分 Class. of Stability	備考 Remarks	要求単位 Order Unit Q' ty
KJTO08AS08	1064	トライアック Triac	2	1S020-127 1B881-038	12 32	OA	F-98	5
*UA000812302 (JA000812802)	1055	Ic Ic (s-81 mAG-RB-TI)	1	1B881-033	12 82	OA	F-W	5
1s050-040	1021	DC-DCコンバータ DC-DC converter	1	13881-024	9 BI	OA		5
1s180-052	1041	CPU. [c CPU. Ic ( / .f PD784025CC-3B9)	1	13881-024	9 BI	OA		5
1s180-054	1042	CPU. Ic CPU. IC (μPD78218AGC-AB8)	1	1B881-024	9 BI	OA		5
1s180-055	1043	CPU. Ic CPU. IC (μPD7530BcF-RBB-3B8)	1	1B881-033	12 88	OA		5
1S205-118	1051	EEPROM EEPROM WZi640s)	1	18881-024	9 BI	OA		5
1S208-001	1049	[c IC (μ PD722%B-8B7)	1	16881-030	10 cl	OA	F-80	5
*1S223-006	1058	Ic IC (μPD16805GS)	3	1s020-123	2 62	OA	F-88	5
*1 S237-071	1046	[c IC (M52B26FP)	1	13881-024	9 BI	OA	F-88	5
*1 S237-072	1047	[c IC (M52927FP)	1	1B8W-024	9 BI	OA	F-W	5
1S260-055	1035	セルフLED Self LED	1	1B881-033	12 AZ	OA	F-W	5
1s266-038	564	外部LCD External LCD	1	1B891-033	12 A2	OA		5
1S380-013	1030	発振子 Oscillator (4.1B4Miz)	1	13881-038	12 68	OA	F-80	5
1s860-019	102\$	発振子 Oscillator (8MHz)	1	16981-024	9 BI	OA		5

部品表 Parts List

部品番号 Part No.	補助番号 Ckt No.	名称 Name	1台分 個数 Qty Per Unit	部組品番号 Asseably	参照 図番 Fig. No.	販売区分 Class. of Stabil- ity	備考 Remsrks	要求単位 Order Unit Qty
S382-044	1031	発振子 Oscillator (82Xlfz)	1	1B991-038	12 83	OA	F-w	5
S408-013	588	エラスティックコネクター Elastic connector	2	1B891-033	12 A2	OA	F-50	5
S542-005	1033	Em7+Y- Buzzer	1	3991-009	11 33	OA	F-50	5
S622-005	139	ソレノイド Solenoid	1	[8991-029	4 A2	OA		5
S680-009	1038	トランス Trans	1	1B991-033	12 82	OA	F-50	5
S700-853	553	AEロック基板 AE lock base date	1	1B991-009	11 A3	OA	F-50	5
S700-355	576	裏打ち板 Backing plate	1	1B591-009	11 A3	OA	F-50	5
S705-312	1012	オプショングリップFPC FPC, optional grip	1		2 82	0		1
S758-022	492	AFロックSWゴム AF lock SW rubber	1	1B991-011	7 A3	OA	F-50	5
*1 S758-037	545	露出補正/RラバーSW Exposure compensation rubber SW	1		12 A2	0	F-50	5
*1 S75B-03B	553	イルミラバーSW Illumination rubber SW	1		12 B1	0	F-W	5
*1 S75B-039	585	測距モード釦ラバーSW Fncus area button SW	1		12 A2	0	F-W	5
*1 S75B-040	582	巻き戻し側設定釦ラバーSW Rewind-side setting button rubber SW	1		12 82	0	F-50	5



部品表 Parts List

FAA28052- R. 3363. A

部品番号 Part No.	補助番号 Ckt No.	名称 Name	1台分 個数 Qty Per Unit	部品番号 Assembly	参照 図番 Fig. No.	販売区分 class. of Salabil- ity	備考 Remarks	要求単位 Order Unit Qty
S811-818	1215	Lead wire L=63 (yellow)	1			x	W-0056YE	1 roll
S811-819	1202	Lead wire L=60 (blue)	1	1B991-134		x	W-0056BE	1 roll
S811-620	1203	Lead wire L=40 (black)	1	1B991-131		x	w-00308K	1 roll
S311-821	1214	Lead wire L=24 (orange)	1			x	W-00560R	1 roll
S811-822	1182	Lead wire L=40 (yellow)	1	1B991-129		x	W-0056YE	1 roll
S811-623	1163	Lead wire L=90 (purple)	1	1BB91-127		x	W-0056PU	1 roll
S811-824	1184	Lead wire L=50 (white)	1			x	W-0056WH	1 roll
S811-825	1165	Lead wire L=30 (black)	1	1B991-125		x	W-0056BK	1 roll
S811-826	1186	Lead wire L=30 (green)	1	18991-125		x	w-005&N	1 roll
IS811-827	1187	Lead wire L=20 (black)	1	1B991-125		x	W-00568K	1 roll
IS811-623	1188	Lead wire L=45 (brown)	1	1BB91-029		x	W-00566N	1 roll
S311-829	118B	Lead wire L=50 (orange)	1	1B991-128		x	w-00560R	1 roll
S611-830	1190	Lead wire L=50 (brown)	1	18991-126		x	W-00588N	1 roll
IS811-831	1191	Lead wire L=50 (blue)	1	1B991-126		x	W-0056BE	1 roll
IS811-832	1182	Lead wire L=50 (black)	1	1B9B1-126		x	W-0056BK	1 roll
IS811-633	1193	Lead wire L=15 (brown)	1	1B990-815		x	W-0056BN	1 roll



部品表 Parts List

IF AA28052-R. 3363. A

部品番号 Part No.	補助番号 Ckt No.	名称 Name	台分 個数 ty Per nit	部品番号 Assembly	参照 図番 Fig. Ill.	販売区分 class. of slab'ity	備考 Remarks	要求単位 Order Unit
A1-14014FA	701	Screw	1		8 A3	o		50
A1-17016FB	714	Screw	2	1B981-011	I-B1 3-A3	OA		50
A1-17025FB	706	Screw	4	18891-011	1-A3 7-82	OA		50
A1-17030P3	702	3crew	5	18981-011	11	OA		50
A1-17050F3	709		3		10	o		50
A1-20050FS	712	3crew	1		1 A2	o		50
A2-17028FA	728	Screw	5	18881-011 1B981-033	5 12	OA		50
A2-17060FA	727	Screw	1		2 M	o		50
B1-14018F8	716	Screw	5	1B891-011 1B991-029	4.5 6.9	OA		50
B1-14020FA	718	Screw	1		10 DI	o		50
B1-14020FB	715	Screw	1		4 B1	o		50
B1-17016FB	719	3crew	4	1B891-011	6-M 6-82	OA		50
B1-17030FA	720	Screw	6	1B881-011	6 7 10	OA		50
B1-17040FA	722	3crew	2	1B881-011	8 A2	OA		50
B1-17055FA	in	Screw	1	1B991-033	12 A3	OA		50

部品表 Parts List

FAA28052-R. 3363. A

部品番号 Part No.	補助番号 Ckt No.	名称 Name	1台分 個数 Qty Per Lbrt	部品番号 AsseblY	*TR E/# Fig. PKT	m m (38SS. Or Salabil- ity	備考 Remarks	要求単位 Order Unit Q'ty
B2-14018FA	728	Screw	3		3 B1	○		50
G1-14020FA	732	Screw	1		10 D3	○		50
G1-17025FA	733	Screw	5	1B999-517	1 8 14	○ A		w
G1-170%FS	734	Screw	3		1 A1	0		50
G1-17028FS	736	Screw	3		13 83	0		50
G1-17030FA	735	Screw	1		1 A1	0		50
G1-17035FA	737	Screw	2	13999-517	14 B1	OA		60
G1-17035FB	738	Screw	2		1 A3	0		50
G1-17040F6	741	Screw	1		2 A3	0		60
G1-17045FS	744	Screw	4		10 13	0		50
G1-17055F3	743	Screw	6		10	0		50
G1%050FB	745	Screw	3		10	0		50
G1-20060FB	746	Screw	2		1 B1	0		50
G2-17030FA	761	Screw	7	1B991-033	3 4 12	OA		50
G2-17030FB	762	Screw	2		10 C3	0		50

部品表 Parts List

FAA28052-R.3363.A

部品番号 Part No.	補助番号 Ckt No.	% % Name	個数 Q'ty Per Unit	部品番号 Assembly	参照 図番 Fig. No.	販売区分 Class. of Salabil- ity	備考 Remarks	要求単位 rder nit ty
G2-17035FB	765	Screw	2		2 A3	0		50
G2-17045FA	783	Screw	5		12 83	0		50
H1-17025FB	750	Screw	1		2 A2	0		50
H1-17040FA	751	Screw	2		10 83	0		50
H1-17045FB	752	Screw	7		1-4	0		50
H1-17050FB	753	Screw	2		4 M	0		50
H3-20055FA	766	Screw	2		1 A2	0		50
S1-00700SY	821	E-ring	1	18991-011	5 A1	0Δ		50
S1-01200SX	822	E-ring	2	18991-011 18890-772	7 A1	0A		54
S1-01500SX	823	E-ring	5	1B991-009	11	0A		50
72-01500SX	832	Pall	1	1B991-009	11 A3	0A		50

部組品表 Assembly List

F AA28052- R. 3363. A

部組番号 Part No.	補助番号 Ckt No.	名称 Name	台分 数 Qty Per unit	大部組品番号 Main assembly No.	参照 番 号 Fig. No.	備考 Remarks	要求単位 Order Unit Qty
3001-755-1	B603	圧板 Pressure plate	1		14 83	F-WI	5
B001-764	82301	1 基板 Base plate 1	1	1B991-011	6 A2	F-IM	1
B001-787-1 (1B001-787)	8940	A F モー FSW Fncus mode S%'	1	1B991-011	5 83	'-90	5
8002-042	8467	リモートコネクター Remote connector	1	18891-011	5 82	'-90	5
B060-511	8380	絞りMg 基板 Aperture Mg base Plate unit	1	18991-011	6 82	F-w	5
1B060-513-1	831	シャッター組品 Shutter unit	1		1 A3	'-90	1
3060-563	32	74 )I/. & Mk * - 9 - Film advance KitOr	1		2 A2		5
8060-589	8903	A F --- AF motor	1	1B891-011	5 A1		5
B240-064-2 (1B240-064)	B522	電子ダイヤル接片座 Electrical dial contact unit	1	1B991-033	12 M	'-90	5
8240-068	8%	電池室SW組 Switch contact, battery house	1		2 A3	'-90	5
1B240-096-1 (1B240-096)	B533	リリースSW接片 Release SW contact unit	1	1B991-033	12 A3	F-w	5
18314-160	8321	シャッターリリースレバー shutter release lever	1	1B991-011	6 A3	F-90	5
18400-001-2 (1B400-001-1)	468	シンクローターミナル Syoc terminal	1	1B991-011	5 82	F-90	5
1B610-035-2 (1B610-035-1)	M74	A F 接点 AF contact unit	1	1B991-011	6 83	F-90	5
1B990-311-1 (1B990-311)	B25B	電池端子板C Battery terminal plate C	1		13 83	F-90	5

部組品表 Assembly List

部組番号 Part No.	補助番号 Ckt No.	% 1 \$ Name	1台分 個数 Qty Per Unit	大部組品番号 Main assembly No.	参照 図番 Fig. No.	備考 Remarks	要求単位 Order Unit Qty
B9M-313-2	8283	電池接点B Battery contact B	1		1 M	F-90	5
990-314-1 (6990-314)	8331	絞り増速ギア Aperture accelerating gear	1	B991-011	6 A2	F-W	5
9B0-315-1 (B990-315)	8335	絞りラチェット Aperture latchet	1	1B9B1-011	6 A2	F-90	5
990-328-1 (B990-328)	8482	F-Fo連動環 F-Fo coupling ring	1	18891-011	7 A2	F-w	5
990-331-1 (B980-331)	8514	電子ダイヤルパターン基板 Electrical dial Pattern plate	1	1B991-008	11 A3	F-80	5
MO-696	B906	フリクションギア Friction gear	1	189B1-011	5 A1		5
3990-761	8252	電池ホルダー蓋 Battery holder cover unit	1		13 63	F-90	5
B990-767	82401	AFセンサー組 AF sensor unit	1		9 83	F-90	1
B990-i70	8486	F-Fo抵抗基板 F-Fo resistance base plate	1	1B891-011	7 B2	F-90	5
B990-772	82350	絞り込み基板 Manual aperture base plate	1	1B991-011	7 A1	F-90	5
B990-777	M00	L基板 Base plate L	1	1B991-011	6 B1	F-90	1
1B990-779-1 (1 B9B0-779)	6342	絞りフォトインタラプタ Aperture control P.1 retainer	1	1B991-011	6 M	F-90	5
1B990-7B2	B1004	AF基板FPC AF base plate FPC unit	1	1B991-011	5 82	F-90	5
1BB90-783	8930	AF横レバー基板 AF transverse lever plate	1	1B991-011	5 M	F-W	5
1BB90-791	838	巻き戻し側ゴム Rubber (Rewind side)	1		10 D2	F-90	5

部組品表 Assembly List

部組番号 Part No.	補助番号 Ckt No.	名 称 Name	1台分 個 数 Qty Per Unit	大部組品番号 Usin asseably NO.	参照 図番 No	備 考 Remrks	要求単位 Order Unit Qty
B9R0-792	637	グリップゴム Grip rubber	1		10 A2	F-RO	5
B990-799	6543	電源スイッチ Power SW	1	B991-009	11 A3	F-RO	5
9R0-800	6572	シュー座 Shue base unit	1	B591-00R	11 A1	F-w	5
19R0-601	6591	アイピースシャッター Eyepiece shutter unit	1	B991-009	11 B2	F-RO	1
IRRO-818	6457	55%表示鏡基板 Display mirror base plate	1		10 D2	F-86	5
3RR0-820	B-435	センサーホルダ Sensor holder unit	1		10 D2	F-90	5
BRRO-824	B70	底基板ギア組 Bottom base plate	1		z B3	F-RO	1
BRRO-828	B160	巻き戻し基板 Rewind base plate	1		3 B1	F-w	5
BRRO-632	6212	DX接点基板 DX contact plate	1		1 B2	F-BO	1
IB9R0-918	B612	ロッド軸基板 Rod shaft plate	1	1BR9B-517	14 A3	F-90	1
B991-009	3023	トップカバー TOP cover	1		11 A1		1
B991-011	626	前板組 Front plate unit	1		5-B1 6-A1 7-A1		1
1BR91-012 (1BR91-558-1)	B33	シーケンス制御モーター Sequence control motor unit	1		4 63		5
B991-015 (1BRRO-766)	B4z)	ミラーBOX底板 Mirror box bottom plate	1	1B8B1-011	8 M	F-BO	5
11 B991-017 (1BRRO-320)	6503	AF-M切替SW Focus mode SW Unit	1	B991-011	6 B2	F-W	5



部組品表 Assembly List

IFAA28052-R.3363. A

部組番号 Part No.	補助番号 Ckt No.	名称 Name	1台分 個 Qty Per Unit	大部組品番号 Main assembly No.	参照 図番 Fig. Ma	備考 Remsrks	要求単位 Order Unit Qty
<del>1B991-018</del> K083-248 K117-514 1B991-022	B566	LCD窓 LCD window	1		12 A1		5
	B936	AF縦レバー基板 4P lever	1	16991-011	5 A2		5
1B991-023	B1003	AF接点FPC AF contact F.P.C unit	1	1B991-011	6 A3		5
1B991-024	B2001	メインFPC Main F.P.C unit	1		9 A2		1
T		上地板 Upper base plate	1		4 B1		1
1B991-030	62452	表示系プロ、ク部組 Display block	1		10 c1		1
1B991-033	B3007	上カバーFPC部組 FPC unit for top cnver	1		12 B2		1
1B991-118 (FAA28152)	6023	上カバー (N90X) Top cover (N90X)	1		11 A1	For U3A	1
1B991-125 (1B990-826)	BIN	基準SW Reference SW	1		2 M	F-90	5
1B991-126 (1B990-821)	B66	フォトインタラプタ基板 ?.] base plate	1		2 M	F-80	5
1B991-127 (1B990-830)	B92	裏蓋SW camera bsck 3W	1		2 B1	F-96	5
1B991-129 (1B990-831)	BIB0	フィルムガイド Fu-5- Film guide roller	1		3 A1	F-96	1
1B991-131 (1B990-827)	8262	電池接点A Battery contact A	1		1 M	F-W	5
1B991-132 (1B990-815)	6453	ライトガイド Light guide	1		10 D1	F-W	5
1B991-134 (1B990-917)	B642	静電気アース板 Earth plate	1		1 A2	F-90	5

部組品表 Assembly List

FAA28052- R. 3363. A

部組番号 Part No.	補助番号 Ckt No.	名称 Name	1台分 固 数 ty Per unit	大部組品番号 Uain assembly No.	照 番 ix. in	備 考 Remrks	要求単位 rder nit ty
1B991-135 (18990-787)	B924	AFフォトインタラプタ AFpproto interrupter	1	1B991-011	5 Bl	F-90	5
1B991-136 1B999-531)	B2391	主ミラー Main mirror holder	1	1B991-011	6 Al	F-90	1
1B999-152-3	BBZ51	電池ホルダーハウス Battery holder house	1		13 A3	F-80	1
1B999-157-5	B901	A FEWHE AF base plate	1	1BB91-011	5 Al		1
1B999-1 65-3	BB902	AF駆動ギア基板 AF driving gear plate	1	18991-011	5 Bl		1
1B9B9-516-1	BB100	シーケンスギア基板下地板 Fi lm advance mechanism unit	1		4 83		1
1B999-517	BB601	裏蓋 Camera back	1		14 Al	F-w	1
1B998-518	BB421	ペンタプリズム部 Pentaprism unit	1		8 Bl	F-90	1
1B999-675		シャッター先幕 組 Opening curtain	1		1 A3	F-80	5
1B999-709		シャッター後幕 組 Closing curtain	1		1 M	F-90	5
1B999-723-1 (1 B999-723)	824	底カバー Bottom cover	1		13 A2	MA り	1

