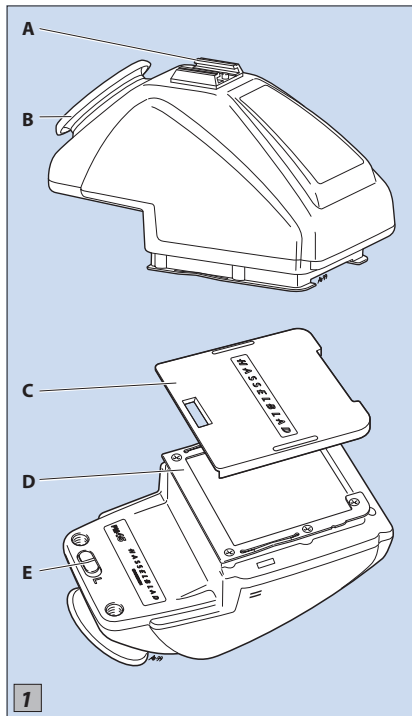


PM45

Item no.: 3042309



ENG

## Prism viewfinder PM45

The Hasselblad prism viewfinder PM45 (3042309) provides a convenient 45° viewing angle for both studio and outdoor work. The 2.5x enlarged unreversed image covers the entire focusing screen. The large eyepiece, especially suitable for users with eyeglasses, has a diopter adjustment range of -2 to +1 dioptres. The PM45 fits all Hasselblad reflex camera bodies as well as the SWC series cameras, the FlexBody and the ArcBody with suitable adapters.

Figures beside the small headings refer to the illustrations relevant to that section.

### Parts & Components

- A. Accessory shoe
- B. Removable rubber eyecup
- C. Viewfinder protective cover
- D. Viewfinder retaining plate
- E. Eyepiece adjustment catch

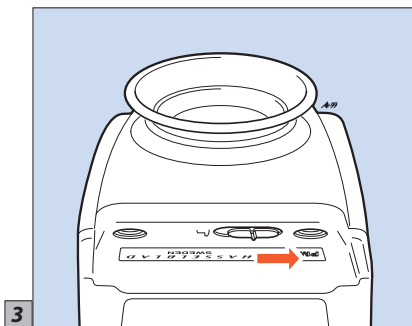
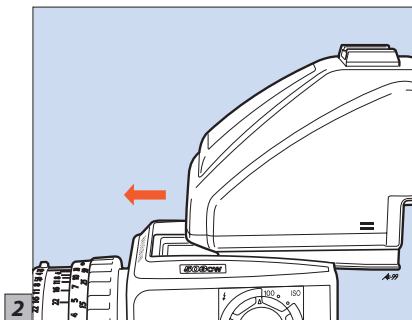
### Attaching the viewfinder

1. Remove the film magazine.
2. Slide the present viewfinder to the rear out of the viewfinder mount.
3. Insert the PM45 into the slots and slide it forwards to a positive stop.

### Adjusting the eyepiece

To adjust the viewfinder to suit individual eyesight, proceed as follows to ensure perfect focus:

1. Focus the lens at the infinity setting.
2. Aim the camera at a nearby light-toned subject to create a completely unsharp image on the focusing screen.
3. Slide the eyepiece diopter adjustment catch to the right (as in the illustration) to loosen the eyepiece.
4. Turn the eyepiece with the rubber eyecup clockwise or counterclockwise until the markings on the focusing screen are sharp (The rubber eyecup can be removed if preferred).
5. Lock the eyepiece in the focused position by pushing the eyepiece adjustment catch back again to the left.



### Care, service and guarantee

#### Handling

Although ruggedly built and designed for long and troublefree professional use in most environments, the PM45 viewfinder should be treated with the same care as the camera itself. Protect it from rain, salt-water spray, sand, dust, grit, etc. Do not use it as a carrying handle or leave it where it can fall or roll about.

Whenever removed from the camera body the protective cover should be attached to the viewfinder to protect the optical surface of the prism and the retaining plate.

#### Cleaning

Never use any kind of liquid when cleaning the PM45. Use a blower brush to remove dust on the glass surfaces and a lintfree cloth for the other surfaces. Do not touch the glass surfaces with your fingers.

#### Service

Faultless equipment performance is essential for the professional user. Therefore it is advisable to check the function of your equipment before an important assignment. "Hasselblad Authorized Service Centers" have the expert staff and the specialized tools necessary to ensure that your equipment remains in perfect working order.

#### Guarantee

Provided that you bought your equipment from an authorized Hasselblad outlet, it is covered by an international guarantee for one year. Keep the guarantee document supplied with the equipment carefully.

#### Technical Specifications

<b>Viewfinder type:</b>	45° Prism Viewfinder.
<b>Viewfinder image:</b>	Unreversed, enlarged 2.5 x.
<b>Eyepiece:</b>	High eyepoint. Diopter adjustment -2 to +1 dioptres.
<b>Weight:</b>	ca. 390 g.