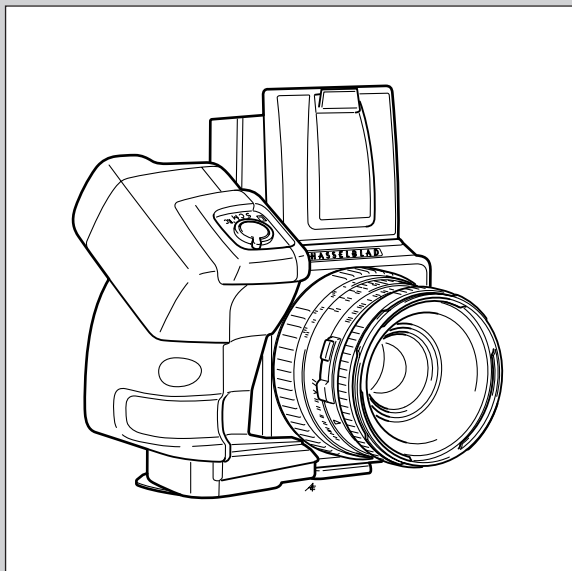


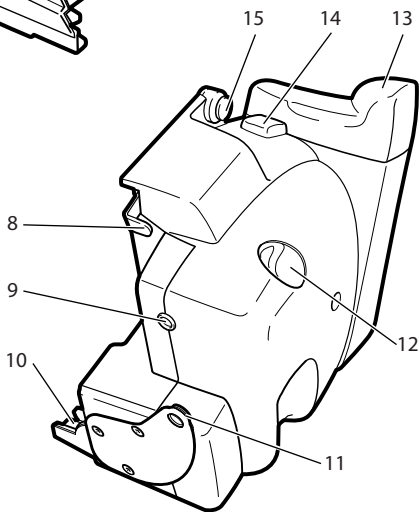
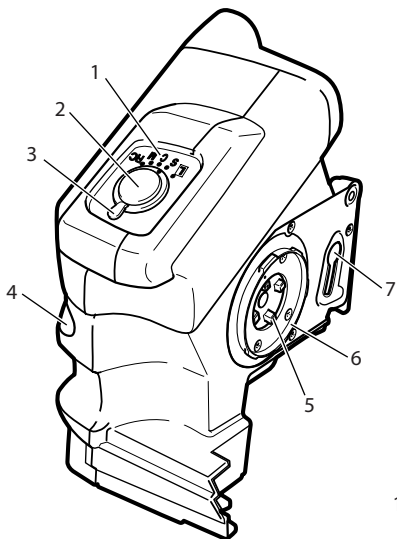
HASSELBLAD

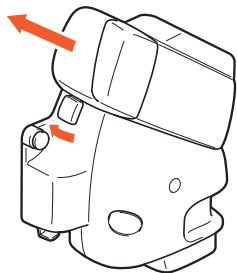


Winder CW

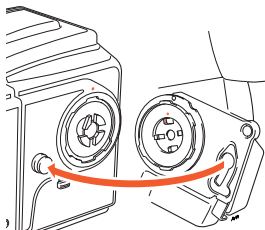
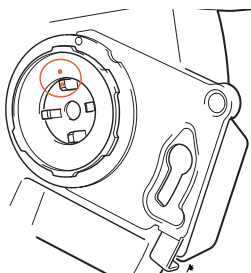
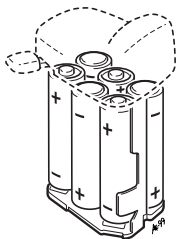
Instruction Manual
Brugsanvisning
Manual d'Instructions
Gebruiksaanwijzing
Bruksanvisning

Gebrauchsanweisung
Manual de Instrucciones
Manuale d'Istruzioni
Manual de Instruções
Käyttöohjekirja

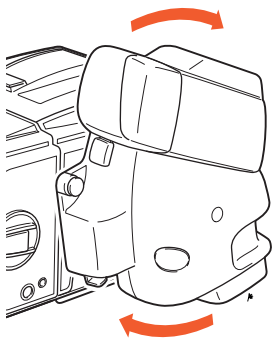




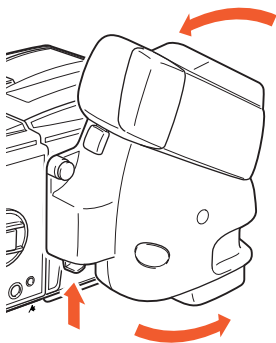
2



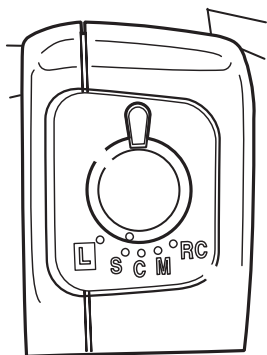
3



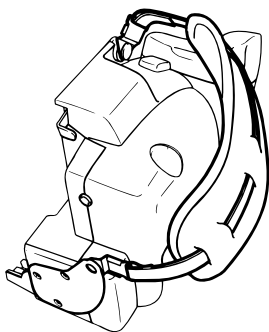
4



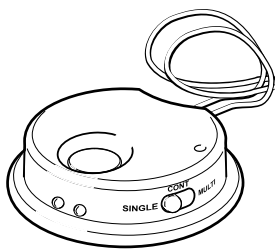
5



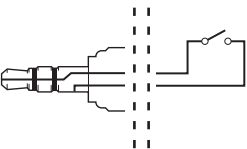
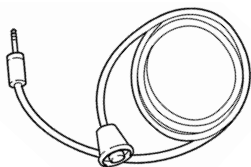
6



7



8



9

The Winder CW (3044105) is a compact, ergonomically designed unit providing not only a motor drive facility but also a comfortable and robust grip for the 503CW and 503CXi cameras.

It features single exposure, continuous exposure, multi-exposure and remote control modes. Remote control is achieved either by an electronic cord release or by a handy infrared transmitter – the Hasselblad IR Remote control (3044113), both providing considerable freedom. The IR Remote Control additionally offers a remote mode-choice facility.

As the winder is set close to the camera body, it produces stability and balance for optimum hand held efficiency – the perfect requirement for vertical 6x4.5 shots. A removable strap offers extra security and is adjustable to suit personal requirements.

A special feature is the SAI (Self Adjusting Interface) that senses not only whether the camera is wound but also the unique mechanical status of the camera body and attached equipment, such as a film magazine, for example.

The figures beside the small headings refer to the relevant illustrations.

Parts and components

1. Mode selector index
2. Release button
3. Mode selector
4. Front IR sensor
5. Winder coupling
6. Bayonet mount
7. Winder retaining slot
8. Winder catch
9. Release cord socket
10. Camera release lever
11. Lower strap lug

12. Rear IR sensor
13. Battery holder
14. Battery holder catch
15. Upper strap lug

The Winder CW is supplied with an IR Remote control (3044113) and a wrist strap (3044118).

Batteries

2

The winder uses six 1.5V pen cells of 'AA' (LR6) type. Under normal conditions, alkaline batteries are recommended although lithium or rechargeable batteries (preferably nickel-metal hydride for environmental reasons) may also be used. Under very cold conditions, however, lithium or rechargeable nickel-cadmium batteries are recommended.

Move the battery holder catch clockwise and remove the battery holder. Insert batteries ensuring they are aligned in the correct manner (see moulded symbols for orientation). Replace battery holder and firmly press it into place while moving the catch counter clockwise as far as it will go until it clicks into position, locking the holder in place.

Under normal conditions new alkaline batteries should last for approximately 3,000 exposures.

Attaching the winder

3, 4

Ensure the camera is fully wound. Remove the camera strap, winding crank and lens (see camera instruction manual). To avoid accidental damage, you may want to attach the front protective cover to the camera body until you become used to attaching the winder. Ensure that the red indexes on the winder coupling and bayonet mount will be in alignment when mounted. If they are not, press the release button on the winder once (in any mode except 'L'). The coupling will then revolve and stop automatically in the correctly aligned position.

Insert the strap lug on the camera body in the winder's mounting plate and move the winder into position so that the couplings on the camera and winder match. When the winder drops into place tightly against the camera body, rotate it clockwise a little until it snaps into position. The winder immediately senses the status of the camera and reacts accordingly. This can be faintly heard as a mechanical reaction if the

camera is already wound. If the camera was unwound, however, it will now be automatically wound (and an attached loaded film magazine will be advanced by one frame, see note below).

Removing the winder

5

Remove the lens. Firmly grip the winder and depress the winder catch with the thumb. Rotate the winder counter clockwise, keeping the catch depressed, and withdraw the unit from the camera body.

Operation modes

6

The mode selector has five positions:

L = LOCK / OFF

The winder remains in the locked mode to avoid unintentional exposure when the camera is not being used or is being stored. Remove the batteries if you do not intend to use the winder for several weeks.

S = SINGLE EXPOSURE

After depressing the release button, the shutter is released. The camera is then automatically rewound after relaxing the pressure on the release button.

With exposures of 1/4 second and longer, retain the pressure on the release button until the complete exposure cycle is complete. See relevant section in camera instruction manual for details.

C = CONTINUOUS EXPOSURE

After depressing the release button, the shutter is released and the camera is automatically rewound. This operation repeats at the rate of approximately 0.7 frames per second if the release button remains depressed. The longest shutter speed possible in this mode is 1/8 sec.

M = MULTIPLE EXPOSURE

After depressing the release button, the shutter is released but the camera is not rewound; consequently the film is not advanced in the magazine. After inserting the magazine slide and removing the magazine, switch to either the 'C' or 'S' mode. The camera will now rewind in preparation for the new exposure. Reattach the magazine and remove the slide. If only one more exposure is required, then the switch may

remain at 'C', but if several exposures are required, the mode switch must be set at 'M' again so that the process can be repeated.

RC = REMOTE CONTROL

For use with the Hasselblad IR Remote Control only. In this position the winder's modes are selected by way of the IR Remote Control unit and the manual release button on the winder becomes inoperative. As much more current is required in the 'RC' mode compared to the other modes, the winder should be switched back to the 'L' mode when not in use to conserve the batteries.



Failure to switch back to the 'L' mode, preferably, or any mode other than 'RC' after use can drain the batteries completely in a matter of days.

Accessories

Wrist strap

7

The wrist strap (3044118) - (supplied) - is attached to the upper and lower strap lugs in a similar manner to the camera strap (see camera instructional manual for details of securing clip attachment and removal). The slightly angled securing clip should be attached to the upper strap lug.

Hasselblad IR remote control

8

The IR Remote control (3044113) –supplied– is very compact and provides not only wireless remote release but also the capability of remote mode choice. That is to say, any one of the three winder modes (S, C and M) can be both chosen and changed without having to return to the camera position.

Additionally, the IR Remote control will only activate the winder, or winders, that have been programmed together with it. Therefore any other camera/winder combination will remain inactivated by that particular remote control until programmed to do so. This means that several winders can be independently remotely controlled by their own individual controls without controlling other winders unintentionally as the signal from each control is unique.

One control can be used for several winders, however, either independently or together. In this case the code must be transferred to each winder individually.

To programme an IR Remote control code with a winder proceed as follows:

1. *Attach winder (with batteries) to the camera.*
2. *Select RC mode on the winder.*
3. *Aim the IR Remote Control at one of the infrared sensors on the winder.*
4. *Depress both winder and IR Remote Control release buttons at the same time for 3–4 seconds.*

A winder can be re-programmed at any time to receive a new code from another IR Remote control simply by repeating the programming procedure with the new control.

Restrictions

With the winder attached, the following Hasselblad accessories cannot be used:

Cable release, Flashgun bracket 1, Quick-focusing handle



Certain studio flash units or slave units when set in the IR trigger mode might immediately be fired by the signal from the IR Remote control and consequently will not be in synchronization with the shutter on the camera. In this case either make tests or use a conventional flash synchronization cable to connect the camera with the flash unit.

Release cord

The 3m long Release cord (3044123)—(optional extra)—is connected into the socket on the underside of the winder. It provides the same function as the manual release button. When activated, the winder carries out its operation according to the pre-selected mode (S, C, and M). The socket is a conventional 3.5 mm jack plug socket (female) and so any switched cord with a conventional 3.5 mm triple-pole jack plug (male) may be used. See diagram for correct wiring configuration.

Troubleshooting

Temporary incorrect operation might be caused indirectly by a safeguarding reaction from the SAI or directly as a result of one or more of the following:

- ❑ The batteries have been inserted incorrectly
- ❑ The batteries are exhausted
- ❑ The batteries are nearly exhausted (see special note below regarding batteries)
- ❑ The magazine slide is still in place
- ❑ The film is finished
- ❑ The mode selector is at RC when manual operation is being attempted

If the problem persists, the following should also be considered:

- ❑ In certain cases, the Winder CW may fail to wind the camera completely or even not at all, resulting in a locked condition where neither the winder nor the lens can be removed. The situation is simply corrected by depressing and immediately releasing the winder catch. This will reset the mechanism that will then slowly wind the camera to return it to normal status.
- ❑ Occurrences such as a winding overload in the magazine or something falling between the release arm and the camera, for example, will cause erratic behaviour. If this happens, the winder stops automatically and after a delay of 1.5 seconds, reattempts to slowly wind the camera. Check the condition of the magazine or camera for obvious problems. Frequent occurrence of this error without any obvious cause indicates that the camera, magazine or winder is in need of service.
- ❑ If the winder operates unusually and you have checked the above causes and remedies, try resetting the electronics by following the procedure below:
 1. Set mode selector to S, C or M
 2. Remove battery holder and film magazine
 3. Depress release button for 10 seconds
 4. Re-insert battery holder

If none of the above helps, or the problem recurs, then return the winder to a Hasselblad Authorized Service Center for service. Remember that in some cases (see above) the fault might originate in the camera or magazine mechanisms and so they too should be included in the service check.

Points to remember

- *The winder can neither be attached nor removed without removing the lens first.*
- *There can be a reduction in the working range of the IR Remote control if the winder is in direct sunlight or other extreme lighting conditions. In these situations it is advisable to use a Release Cord (3044123) instead.*
- *If the camera is in the unwound status (see camera manual) it will automatically be wound by the winder when attached. This will advance the film in an attached magazine by one frame. To avoid the risk of losing a film frame, check that the camera is wound before attaching the winder.*
- *When the camera body and winder are separated it is possible in some cases that their respective couplings can become 'out of phase' with each other. Ensure that the camera is fully wound before fitting the winder and that the red indexes on the winder coupling and winder bayonet mount are aligned (see 'Attaching the winder').*
- *With exposures of 1/4 second and longer, retain the pressure on the release button (on the winder, the IR Remote control or Release cord) until the exposure is complete, before reducing the pressure and thereby allowing the auxiliary shutter in the camera body to close. See relevant section in camera instruction manual for details.*
- *The camera is blocked automatically after the last film frame in the magazine has been advanced.*
- *Camera speeds longer than 1/15 sec. should be avoided in 'C' mode.*

- *Keep the mode selector set at 'L' when the camera is not in use or is being stored to prevent battery drain or unintentional camera operation.*
- *Remove the batteries if you do not intend to use the winder for several weeks or longer.*

Technical Specifications

COMPATIBILITY:

Hasselblad 503CW and 503CXi

MODES:

Single exposure, continuous exposure, multiple exposure, remote control, lock/off

WINDING SPEEDS:

1.4 sec, approximately 0.7 frames/sec in continuous mode

BATTERY REQUIREMENT:

6 x 1.5V AA pen cells (LR6). Alkaline, nickel metal hydride, nickel cadmium or lithium

WEIGHT:

360 g (13 oz) excluding batteries

*Product no: Artikelnummer:
Produktnummer: Código:
Code article: Cod: Artikelnr:
Número do Produto:
Produkt nr: Tuotenumero:*

3044105

Hasselblad reserve the right to make changes in the published specifications without prior notice.

All rights reserved. No part of this material may be reproduced, stored in a retrieval system, or transmitted, in any form or by any means, electronic, mechanical, photocopy, recording, or otherwise, without the prior written permission of the company.

Copyright © 2008, Victor Hasselblad AB

Copyright © 2008, Victor Hasselblad AB Printed in Sweden 3044105/0402/V4

Victor Hasselblad AB
Box 220,
SE - 401 23 Göteborg,
Sweden

Hasselblad A/S
Hejrevej 30,
DK - 2400 Copenhagen,
Denmark

www.hasselblad.com