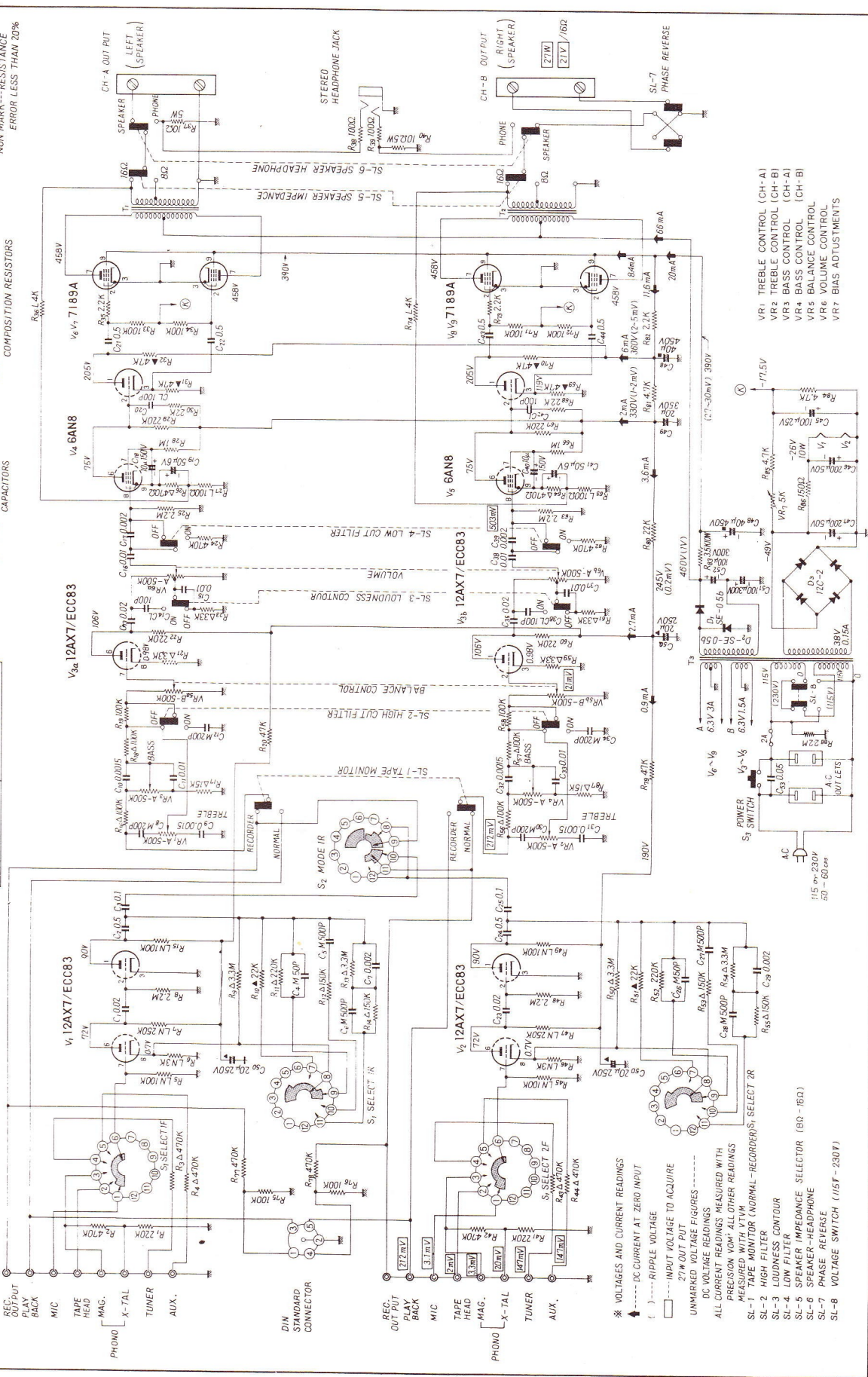


# SM-83 (SM-500)

S <sub>1</sub> SELECTOR	S <sub>2</sub> MODE	REV
(1) MIC	(1) STEREO	(1) STEREO
(2) TAPE - HEAD	(2) STEREO	(2) STEREO
(3) PHONO	(3) MONO	(3) MONO
(4) TUNER	(4) MONO	(4) MONO
(5) AUX.	(5) MONO	(5) MONO

- RESISTORS  
 LN--- MICA  
 L--- TYPE  
 C--- CARBON  
 L--- TYPE  
 NON MARK--- 1/2 WATTS  
 COMPOSITION RESISTORS
- CAPACITORS  
 M--- MICA  
 CL--- CERAMIC  
 L--- TYPE  
 NON MARK--- OIL PAPER  
 CAPACITORS

- ▲--- RESISTANCE  
 ERROR LESS THAN 5%  
 Δ--- RESISTANCE  
 ERROR LESS THAN 10%  
 NON MARK--- RESISTANCE  
 ERROR LESS THAN 20%



\* VOLTAGES AND CURRENT READINGS  
 ( ) --- DC CURRENT AT ZERO INPUT  
 ( ) --- RIPPLE VOLTAGE  
 ( ) --- INPUT VOLTAGE TO ACQUIRE  
 27W OUTPUT  
 UNMARKED VOLTAGE FIGURES  
 ALL CURRENT READINGS MEASURED WITH  
 PRECISION 10MΩ ALL OTHER READINGS  
 MEASURED WITH VTVM  
 SL-1 TAPE MONITOR (NORMAL-REORDER'S) SELECT 2R  
 SL-2 HIGH FILTER  
 SL-3 LOUDNESS CONTOUR  
 SL-4 LOW FILTER  
 SL-5 SPEAKER IMPEDANCE SELECTOR (8Ω - 16Ω)  
 SL-6 SPEAKER-HEADPHONE  
 SL-7 PHASE REVERSE  
 SL-8 VOLTAGE SWITCH (115V - 230V)