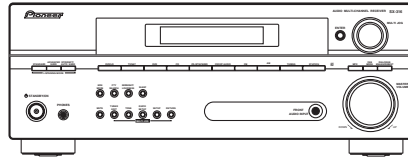


Service Manual



SX-316-S

ORDER NO.
RRV3330

AUDIO MULTI-CHANNEL RECEIVER

SX-316-S

THIS MANUAL IS APPLICABLE TO THE FOLLOWING MODEL(S) AND TYPE(S).

Model	Type	Power Requirement	Remarks
SX-316-S	KUCXJ	AC 120 V	
SX-316-S	MYXJ5	AC 220 V to 230 V	



For details, refer to "Important Check Points for Good Servicing".

SAFETY INFORMATION



This service manual is intended for qualified service technicians; it is not meant for the casual do-it-yourselfer. Qualified technicians have the necessary test equipment and tools, and have been trained to properly and safely repair complex products such as those covered by this manual.

Improperly performed repairs can adversely affect the safety and reliability of the product and may void the warranty. If you are not qualified to perform the repair of this product properly and safely, you should not risk trying to do so and refer the repair to a qualified service technician.

WARNING

This product contains lead in solder and certain electrical parts contain chemicals which are known to the state of California to cause cancer, birth defects or other reproductive harm.

Health & Safety Code Section 25249.6 – Proposition 65

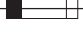

NOTICE

(FOR CANADIAN MODEL ONLY)

Fuse symbols  (fast operating fuse) and/or  (slow operating fuse) on PCB indicate that replacement parts must be of identical designation.

REMARQUE

(POUR MODÈLE CANADIEN SEULEMENT)

Les symboles de fusible  (fusible de type rapide) et/ou  (fusible de type lent) sur CCI indiquent que les pièces de remplacement doivent avoir la même désignation.

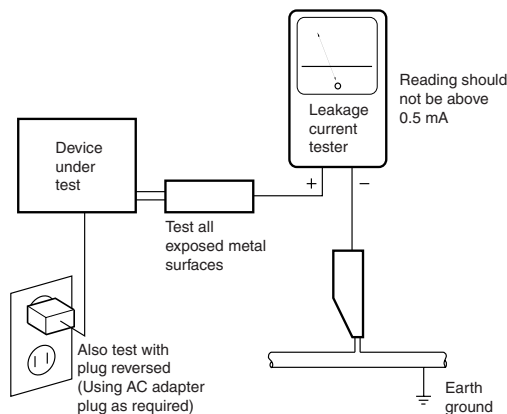
(FOR USA MODEL ONLY)

1. SAFETY PRECAUTIONS

The following check should be performed for the continued protection of the customer and service technician.

LEAKAGE CURRENT CHECK

Measure leakage current to a known earth ground (water pipe, conduit, etc.) by connecting a leakage current tester such as Simpson Model 229-2 or equivalent between the earth ground and all exposed metal parts of the appliance (input/output terminals, screwheads, metal overlays, control shaft, etc.). Plug the AC line cord of the appliance directly into a 120V AC 60 Hz outlet and turn the AC power switch on. Any current measured must not exceed 0.5 mA.



AC Leakage Test

ANY MEASUREMENTS NOT WITHIN THE LIMITS OUTLINED ABOVE ARE INDICATIVE OF A POTENTIAL SHOCK HAZARD AND MUST BE CORRECTED BEFORE RETURNING THE APPLIANCE TO THE CUSTOMER.

2. PRODUCT SAFETY NOTICE

Many electrical and mechanical parts in the appliance have special safety related characteristics. These are often not evident from visual inspection nor the protection afforded by them necessarily can be obtained by using replacement components rated for voltage, wattage, etc. Replacement parts which have these special safety characteristics are identified in this Service Manual.

Electrical components having such features are identified by marking with a Δ on the schematics and on the parts list in this Service Manual.

The use of a substitute replacement component which does not have the same safety characteristics as the PIONEER recommended replacement one, shown in the parts list in this Service Manual, may create shock, fire, or other hazards.

Product Safety is continuously under review and new instructions are issued from time to time. For the latest information, always consult the current PIONEER Service Manual. A subscription to, or additional copies of, PIONEER Service Manual may be obtained at a nominal charge from PIONEER.

[Important Check Points for Good Servicing]

In this manual, procedures that must be performed during repairs are marked with the below symbol. Please be sure to confirm and follow these procedures.

1. Product safety



Please conform to product regulations (such as safety and radiation regulations), and maintain a safe servicing environment by following the safety instructions described in this manual.

- ① Use specified parts for repair.

Use genuine parts. Be sure to use important parts for safety.

- ② Do not perform modifications without proper instructions.

Please follow the specified safety methods when modification (addition/change of parts) is required due to interferences such as radio/TV interference and foreign noise.

- ③ Make sure the soldering of repaired locations is properly performed.

When you solder while repairing, please be sure that there are no cold solder and other debris. Soldering should be finished with the proper quantity. (Refer to the example)

- ④ Make sure the screws are tightly fastened.

Please be sure that all screws are fastened, and that there are no loose screws.

- ⑤ Make sure each connectors are correctly inserted.

Please be sure that all connectors are inserted, and that there are no imperfect insertion.

- ⑥ Make sure the wiring cables are set to their original state.

Please replace the wiring and cables to the original state after repairs. In addition, be sure that there are no pinched wires, etc.

- ⑦ Make sure screws and soldering scraps do not remain inside the product.

Please check that neither solder debris nor screws remain inside the product.

- ⑧ There should be no semi-broken wires, scratches, melting, etc. on the coating of the power cord.

Damaged power cords may lead to fire accidents, so please be sure that there are no damages. If you find a damaged power cord, please exchange it with a suitable one.

- ⑨ There should be no spark traces or similar marks on the power plug.

When spark traces or similar marks are found on the power supply plug, please check the connection and advise on secure connections and suitable usage. Please exchange the power cord if necessary.

- ⑩ Safe environment should be secured during servicing.

When you perform repairs, please pay attention to static electricity, furniture, household articles, etc. in order to prevent injuries. Please pay attention to your surroundings and repair safely.

2. Adjustments



To keep the original performance of the products, optimum adjustments and confirmation of characteristics within specification. Adjustments should be performed in accordance with the procedures/instructions described in this manual.

3. Lubricants, Glues, and Replacement parts



Use grease and adhesives that are equal to the specified substance. Make sure the proper amount is applied.

4. Cleaning



For parts that require cleaning, such as optical pickups, tape deck heads, lenses and mirrors used in projection monitors, proper cleaning should be performed to restore their performances.

5. Shipping mode and Shipping screws



To protect products from damages or failures during transit, the shipping mode should be set or the shipping screws should be installed before shipment. Please be sure to follow this method especially if it is specified in this manual.

CONTENTS

- SAFETY INFORMATION 2
- 1. SPECIFICATIONS 5
- A 2. EXPLODED VIEWS AND PARTS LIST 6
 - 2.1 PACKING 6
 - 2.2 EXTERIOR SECTION 8
 - 2.3 FRONT PANEL SECTION 10
- 3. BLOCK DIAGRAM AND SCHEMATIC DIAGRAM 12
 - 3.1 BLOCK DIAGRAM 12
 - 3.2 OVERALL WIRING CONNECTION DIAGRAM 14
 - 3.3 MAIN ASSY (1/3) 16
 - 3.4 MAIN ASSY (2/3) 18
 - 3.5 MAIN ASSY (3/3) 20
 - 3.6 DSP ASSY (1/2) 22
 - 3.7 DSP ASSY (2/2) 24
 - B 3.8 POWER PACK (1/2), TRANS 2 and TRANS 3 ASSYS 26
 - 3.9 POWER PACK (2/2) and HEADPHONE ASSYS 28
 - 3.10 FRONT DISPLAY, R. ENCODER and POWER KEY ASSYS 30
 - 3.11 TRANS 4, REGULATOR and DIGITAL IN ASSYS 32
 - 3.12 FRONT INPUT, PRIMARY and TRANS 1 ASSYS 33
- 4. PCB CONNECTION DIAGRAM 34
 - 4.1 REGULATOR and DIGITAL IN ASSYS 35
 - 4.2 MAIN and FRONT INPUT ASSYS 36
 - 4.3 DSP ASSY 40
 - 4.4 POWER PACK ASSY 44
 - 4.5 TRANS2, TRANS3, TRANS4 and TRANS1 ASSYS 48
 - 4.6 HEAD PHONE, FRONT DISPLY, R. ENCODER and POWER KEY ASSYS 50
 - C 4.7 PRIMARY ASSY 54
- 5. PCB PARTS LIST 56
- 6. ADJUSTMENT 73
- 7. GENERAL INFORMATION 74
 - 7.1 DIAGNOSIS 74
 - 7.1.1 DISASSEMBLY 74
 - 7.2 PARTS 77
 - 7.2.1 IC 77
 - 7.3 EXPLANATION 85
 - 7.3.1 DETECTION CIRCUIT 85
 - 7.3.2 AMPLIFIER SYSTEM PROTECTION OPERATION SPECIFICATION 87
 - 7.3.3 AMPLIFIER FAILURE DIAGNOSIS FLOW CHART 89
- D 8. PANEL FACILITIES 90

1. SPECIFICATIONS

SX-316-S/KUCXJ

Amplifier section

Continuous power output

Front

..... 100 W per channel* (200 Hz to 20 kHz, 0.7 %**, 8 Ω)

Center 100 W*(200 Hz to 20 kHz, 0.7 %**, 8 Ω)

Surround

..... 100 W per channel*(200 Hz to 20 kHz, 0.7 %**, 8 Ω)

Subwoofer 100 W*(45 Hz to 200 kHz, 0.7 %**, 8 Ω)

RMS Power Output

Front 144 W per channel (1 kHz, THD, 10 %, 8 Ω)

Center 144 W (1 kHz, THD, 10 %, 8 Ω)

Surround 144 W per channel (1 kHz, THD, 10 %, 8 Ω)

Subwoofer 144 W (1 kHz, THD, 10 %, 8 Ω)

* Measured pursuant to the Federal Trade Commission's Trade Regulation rule on Power Output Claims for Amplifiers.

** Measured by Audio Spectrum Analyzer.

FM Tuner Section

Frequency Range 87.5 MHz to 108 MHz

Antenna Input (DIN) 75 Ω unbalanced

AM Tuner Section

Frequency Range 530 kHz to 1 700 kHz

Antenna Loop antenna

Miscellaneous

Power requirements AC 120 V / 60 Hz

Power consumption 320 W / 420 VA

In standby 0.5 W

Dimensions

..... 16 9/16 in. (W) x 6 1/4 in. (H) x 13 11/16 in.(D)

420 mm (W) x 158 mm(H) x 348 mm(D)

Weight (without package) 19.0 lb (8.6 kg)

Furnished Parts

AM loop antenna 1

FM wire antenna 1

AA size IEC R6 dry cell batteries (to confirm system operation) 2

Remote control 1

Mini-plug audio cable 1

Operating instructions

Note

Specifications and the design are subject to possible modifications without notice, due to improvements.

Manufactured under license from Dolby Laboratories. "Dolby", "Pro Logic", and the double-D symbol are trademarks of Dolby Laboratories.

"DTS" and "DTS 96/24" are trademarks of Digital Theater Systems, Inc.

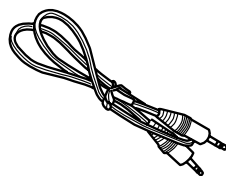
Accessories



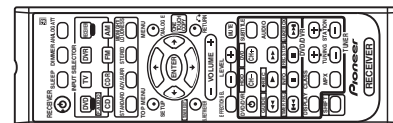
AM loop antenna
(ATB7013)



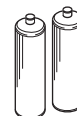
FM wire antenna
(ADH7030)



Mini-plug audio cable
(KUCXJ : ADE7059)
(L=1m)



Remote control
(XXD3108)



AA size IEC R6
Dry cell batteries (x2)

SX-316-S/MYXJ5

Amplifier section

Continuous Power Output (stereo)

Front 100 W (DIN 1 kHz, THD, 1.0 %, 8 Ω)

Power Output (surround)

Front

..... 100 W per channel (1 kHz, 1.0 % THD, 8 Ω)

Center 100 W (1 kHz, 1.0 % THD, 8 Ω)

Surround 100 W per channel
(1 kHz, 1.0 % THD, 8 Ω)

Subwoofer 100 W (100 Hz, 1.0 % THD, 8 Ω)

RMS Power Output

Front

..... 130 W per channel (1 kHz, 10 % THD, 8 Ω)

Center 130 W (1 kHz, 10 % THD, 8 Ω)

Surround 130 W per channel
(1 kHz, 10 % THD, 8 Ω)

Subwoofer 130 W (100 Hz, 10 % THD, 8 Ω)

FM Tuner Section

Frequency Range 87.5 MHz to 108 MHz

Antenna Input 75 Ω unbalanced

AM Tuner Section

Frequency Range 531 kHz to 1 602 kHz

Antenna Loop antenna

Miscellaneous

Power requirements

..... AC 220V to 230 V, 50 Hz/ 60 Hz

Power consumption 320 W

In standby 0.5 W

Dimensions

..... 420 mm (W) x 158 mm (H) x 348 mm (D)

Weight (without package) 8.5 kg

Furnished Parts

AM loop antenna 1

FM wire antenna 1

AA size IEC R6 dry cell batteries (to confirm system operation) 2

Remote control 1


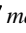
Warranty card 1

Operating instructions

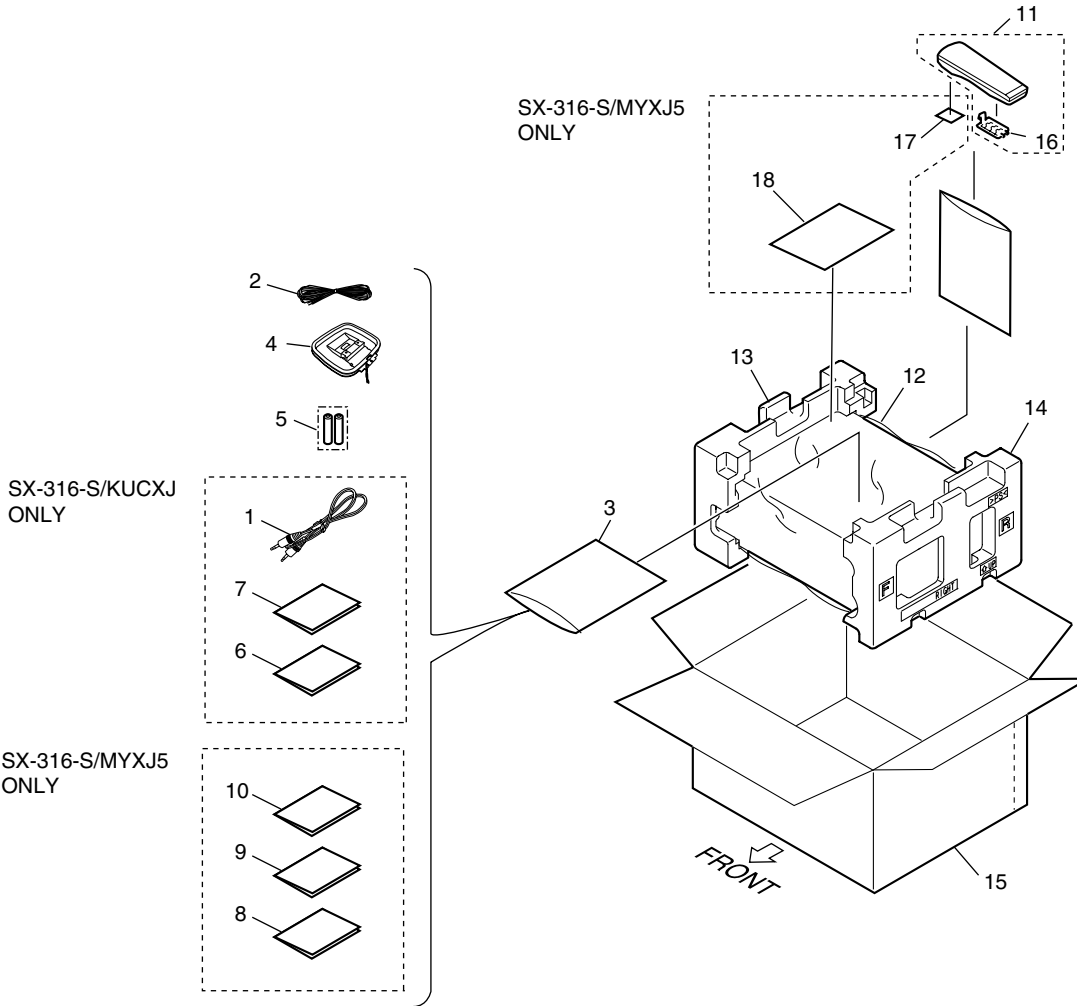
Note

- Specifications and the design are subject to possible modifications without notice, due to improvements.

2. EXPLODED VIEWS AND PARTS LIST

- NOTES:
- Parts marked by "NSP" are generally unavailable because they are not in our Master Spare Parts List.
 - The  mark found on some component parts indicates the importance of the safety factor of the part. Therefore, when replacing, be sure to use parts of identical designation.
 - Screws adjacent to  mark on product are used for disassembly.
 - For the applying amount of lubricants or glue, follow the instructions in this manual. (In the case of no amount instructions, apply as you think it appropriate.)

2.1 PACKING



(1) PACKING SECTION PARTS LIST

<u>Mark No.</u>	<u>Description</u>	<u>Part No.</u>	<u>Mark No.</u>	<u>Description</u>	<u>Part No.</u>
1	Mini-plug Audio Cable	See Contrast table(2)	11	Remote control	XXD3108
2	FM Wire Antenna	ADH7030	12	Packing Sheet	AHG7069
NSP 3	Polyethylene Bag	See Contrast table(2)	13	Left Pad V3	XHA3158
4	AM Loop Antenna	ATB7013	14	Right Pad V3	XHA3159
NSP 5	Dry cell batteries (AA/R6) 2P	XEX3002	15	Packing Case	See Contrast table(2)
6	Operating Instructions (English/French)	See Contrast table(2)	16	Battery Cover	XZN3139
7	Operating Instructions Safety (English/French)	See Contrast table(2)	17	Label (WEEE)	See Contrast table(2)
8	Operating Instructions (Dutch/Spanish)	See Contrast table(2)	18	Warranty Card	See Contrast table(2)
9	Operating Instructions (French/German)	See Contrast table(2)			
10	Operating Instructions (English/Italian)	See Contrast table(2)			

(2) CONTRAST TABLE

SX-316-S/MYXJ5 and SX-316-S/KUCXJ are constructed the same except for the following:

Mark	No.	Symbol and Description	SX-316-S /KUCXJ	SX-316-S /MYXJ5
NSP	1	Mini-plug Audio Cable	ADE7059	Not used
	3	Polyethylene Bag	AHG7117	Z21-038
	6	Operating Instructions (English/French)	XRE3113	Not used
	7	Operating Instructions Safety (English/French)	XRE3120	Not used
	8	Operating Instructions (Dutch/Spanish)	Not used	XRC3221
	9	Operating Instructions (French/German)	Not used	XRC3222
	10	Operating Instructions (English/Italian)	Not used	XRE3115
	15	Packing Case	XHD3586	XHD3593
	17	Label (WEEE)	Not used	ARW7322
18	Warranty Card	Not used	ARY7065	

2.2 EXTERIOR SECTION

1

2

3

4

A

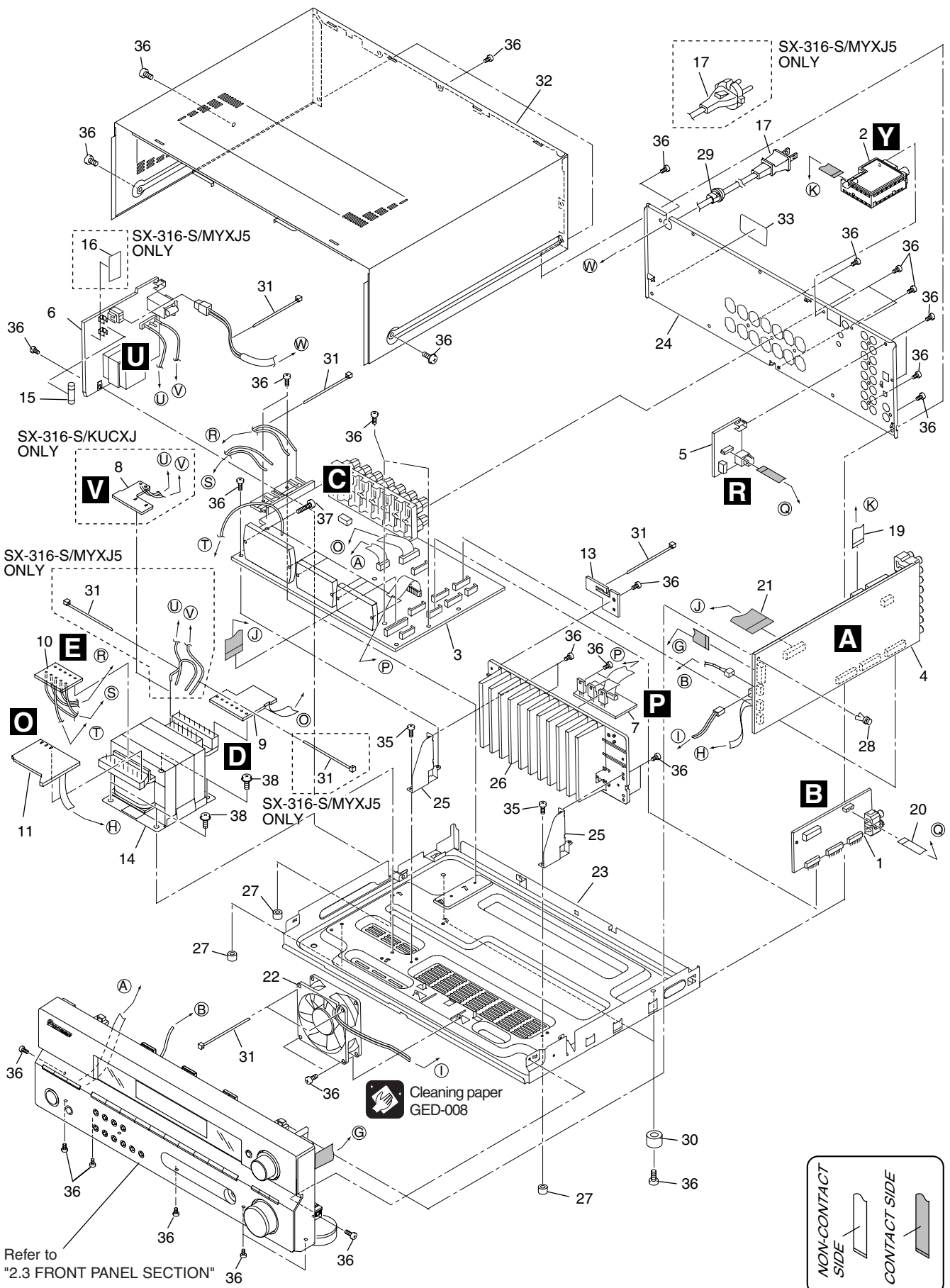
B

C

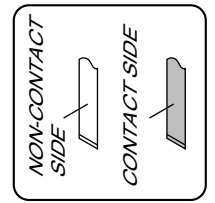
D

E

F



Cleaning paper GED-008



(1) EXTERIOR SECTION PARTS LIST

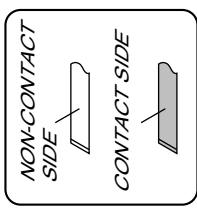
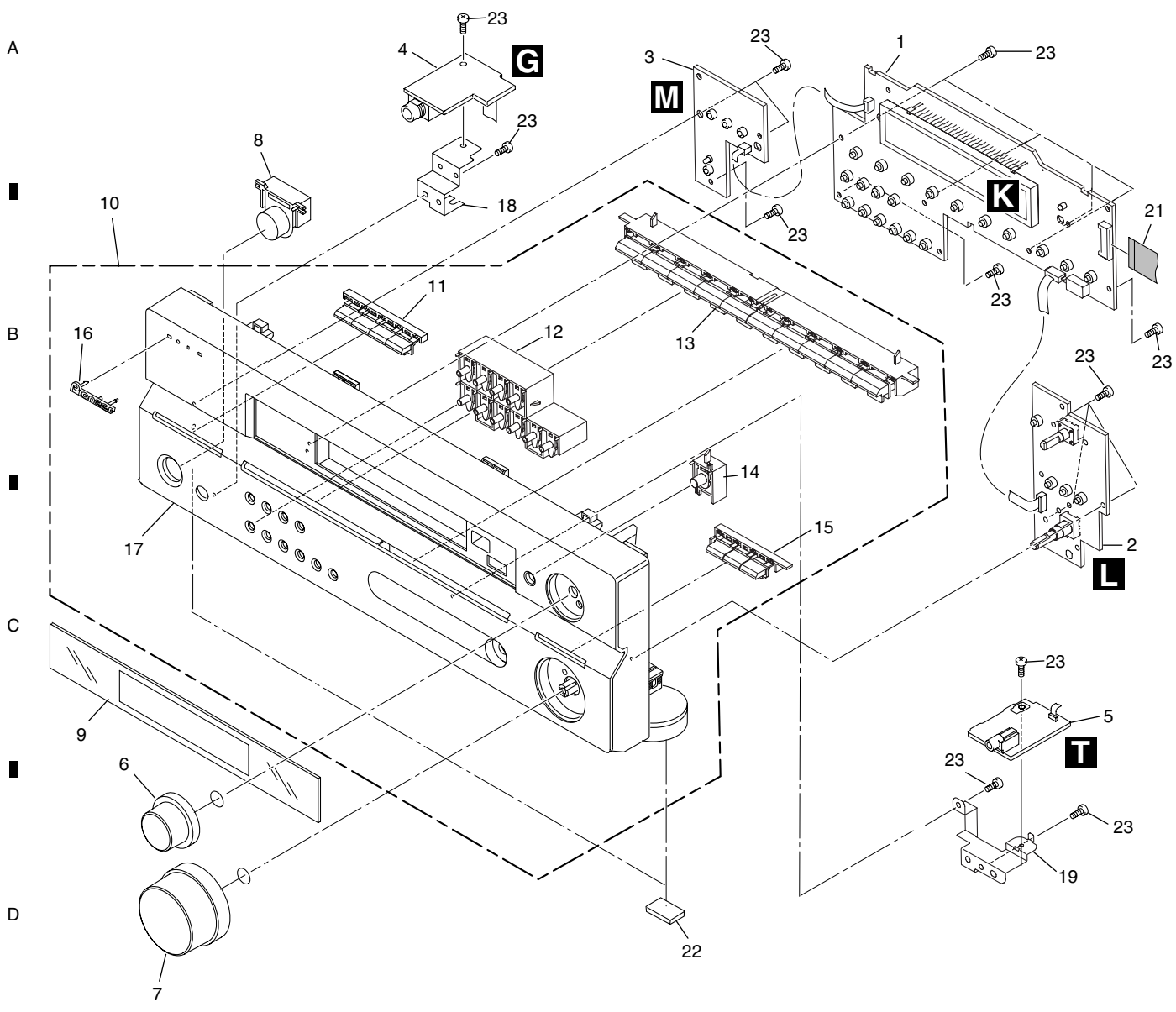
<u>Mark No.</u>	<u>Description</u>	<u>Part No.</u>	<u>Mark No.</u>	<u>Description</u>	<u>Part No.</u>
1	DSP ASSY	AWX8573	21	17P F. F. C/30V	XDD3203
2	FM/AM TUNER UNIT	See Contrast table(2)	22	DC Fan Motor	XXM3012
3	POWER PACK ASSY	See Contrast table(2)	NSP 23	Chassis	XNA3026
4	MAIN ASSY	See Contrast table(2)	24	R Panel	See Contrast table(2)
5	DIGITAL IN ASSY	XWZ4066	25	H/S AngleV3	XNG3145
6	PRIMARY ASSY	See Contrast table(2)	NSP 26	H/Sink	XNH3044
7	REGULATOR ASSY	XWZ4077	NSP 27	Spacer	AEB7092
8	TRANS 1 ASSY	See Contrast table(2)	28	Push Rivet (BROWN)	AEC7205
9	TRANS 2 ASSY	See Contrast table(2)	29	Cord Stopper	See Contrast table(2)
10	TRANS 3 ASSY	XWZ4079	30	Insulator	XMR3100
11	TRANS 4 ASSY	XWZ4093	NSP 31	Binder (BK-1)	ZCA-BK1
12	•••••		32	Bonnet	XZN3184
13	BINDER ASSY	XWZ4199	NSP 33	Label	VRW1629
⚠ 14	Transformer	See Contrast table(2)	34	•••••	
⚠ 15	Fuse	See Contrast table(2)	35	Screw	BBZ30P060FCC
16	Fuse Card	See Contrast table(2)	36	Screw	BBZ30P080FNI
⚠ 17	AC Power Cord	See Contrast table(2)	37	Screw	BBZ30P140FTC
18	•••••		38	Screw	BBZ40P080FNI
19	11P F. F. C/30V	XDD3189			
20	10P F. F. C/30V	XDD3196			

(2) CONTRAST TABLE

SX-316-S/MYXJ5 and SX-316-S/KUCXJ are constructed the same except for the following:

Mark	No.	Symbol and Description	SX-316-S /KUCXJ	SX-316-S /MYXJ5
	2	FM/AM TUNER UNIT	AXX7210	AXX7170
	3	POWER PACK ASSY	XWZ4080	XWZ4117
	4	MAIN ASSY	XWK3227	XWK3244
	6	PRIMARY ASSY	XWZ4128	XWZ4073
	8	TRANS 1 ASSY	XWZ4078	Not used
	9	TRANS 2 ASSY	XWZ4090	XWZ4092
⚠	14	Transformer	XTS3106	XTS3090
⚠	15	Fuse (10A)	REK1154	Not used
⚠	15	Fuse (T3.15A)	Not used	REK1027
	16	Fuse Card	Not used	AAX7493
⚠	17	AC Power Cord	ADG7024	VDG1080
	24	R Panel	XNC3420	XNC3421
	29	Cord Stopper	CM-22C	CM-22B

2.3 FRONT PANEL SECTION



5 6

(1) FRONT PANEL SECTION PARTS LIST

<u>Mark No.</u>	<u>Description</u>	<u>Part No.</u>
1	FRONT DISPLAY ASSY	XWZ4165
2	R. ENCODER ASSY	XWZ4055
3	POWER KEY ASSY	XWZ4056
4	HP ASSY	XWZ4095
5	FRONT INPUT ASSY	XWZ4124
6	JOG Knob	XAB3048
7	VOL Knob	XAB3051
8	STDBY BTN	XAD3203
9	D Panel V3CL	XAK3529
NSP 10	F PANEL Assy	See Contrast table(2)
11	Tuner BTN	XAD3248
12	SUB BTN	XAD3249
13	FUNC BTN	XAD3250
14	JOG Button	XAD3251
15	JOG Button	XAD3252

<u>Mark No.</u>	<u>Description</u>	<u>Part No.</u>
16	PIONEER Badge	VAM1129
17	FRT Panel	See Contrast table(2)
18	Earth Plate HP V2	XNG3131
19	Earth Plate FR V3	XNG3144
20	•••••	
21	17P F.F.C/30V	XDD3200
22	Rubber Sheet	AEB1111
23	Screw	BPZ30P080FTC

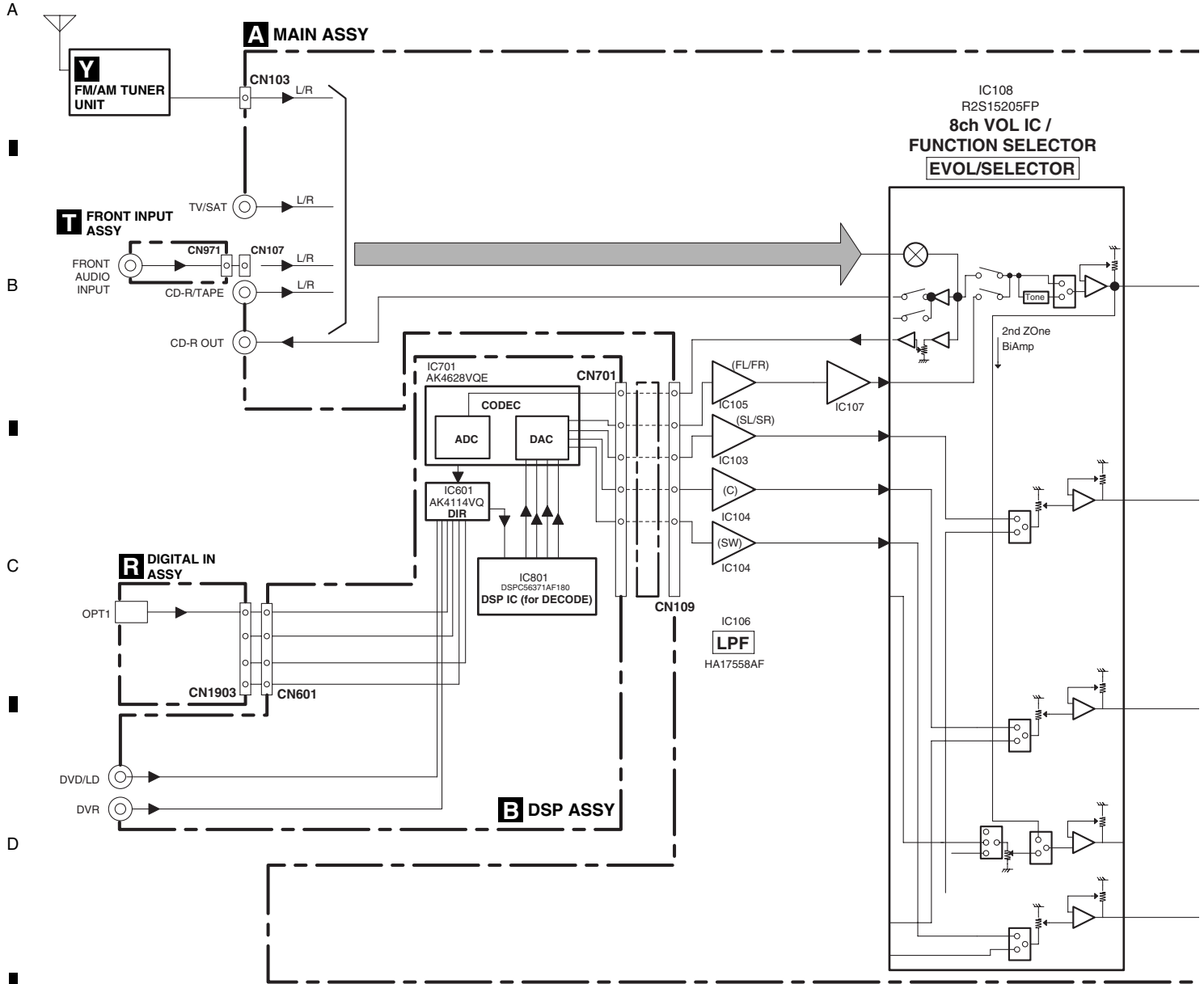
(2) CONTRAST TABLE

SX-316-S/MYXJ5 and SX-316-S/KUCXJ are constructed the same except for the following:

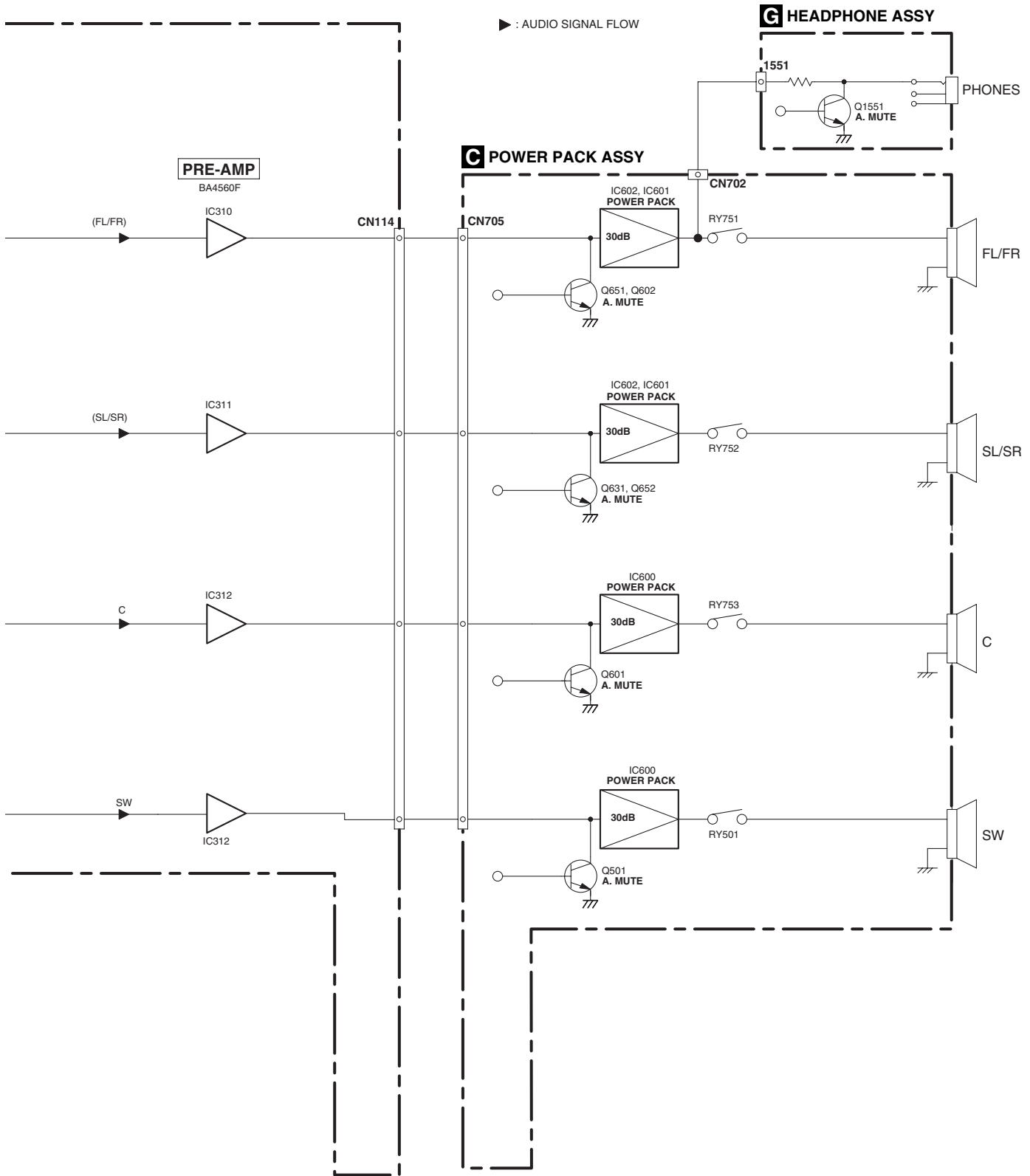
Mark	No.	Symbol and Description	SX-316-S /KUCXJ	SX-316-S /MYXJ5
NSP	10	F Panel Assy	XXG3257	XXG3258
	17	FRT Panel	XMB3236	XMB3237

3. BLOCK DIAGRAM AND SCHEMATIC DIAGRAM

3.1 BLOCK DIAGRAM



A
B
C
D
E
F



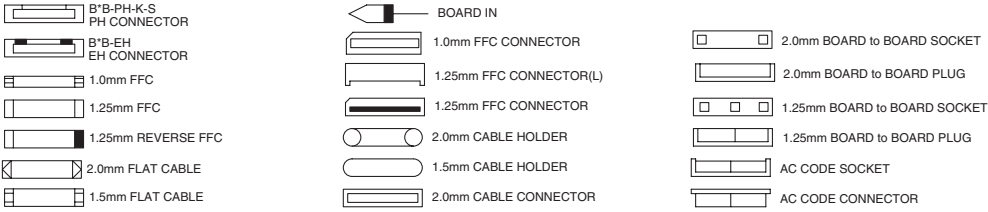
3.2 OVERALL WIRING CONNECTION DIAGRAM

1

2

3

4



A

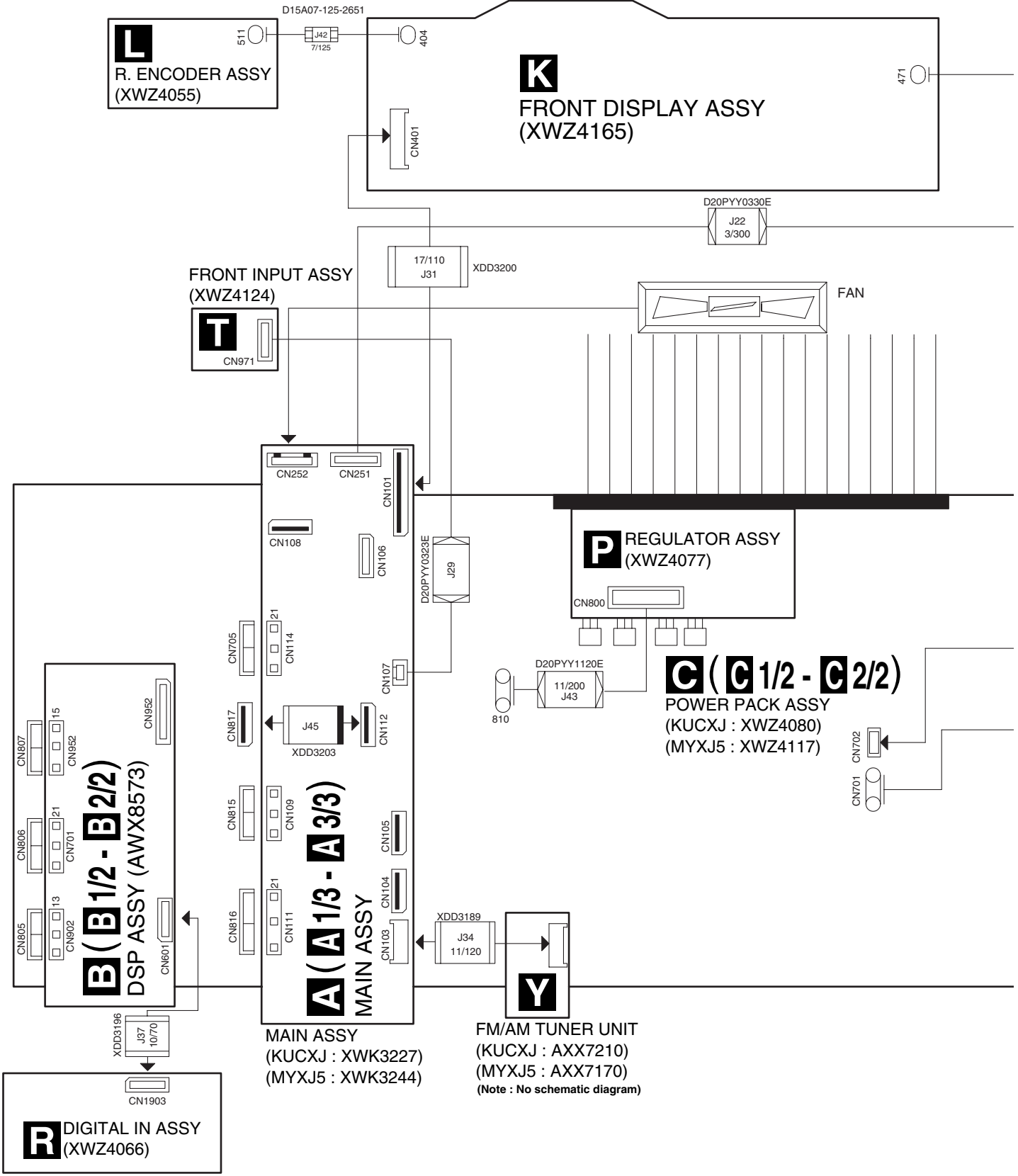
B

C

D

E

F




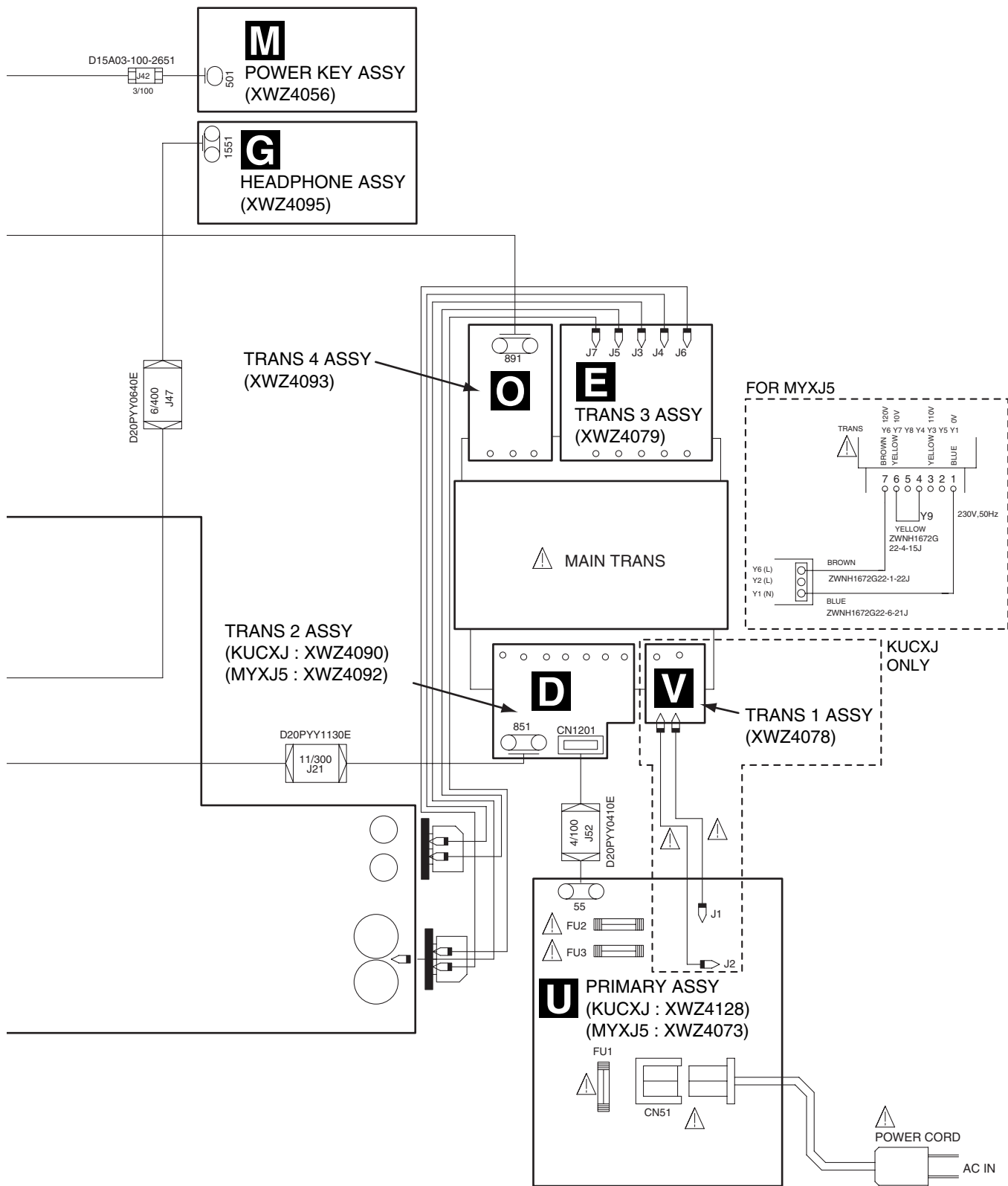
1

2

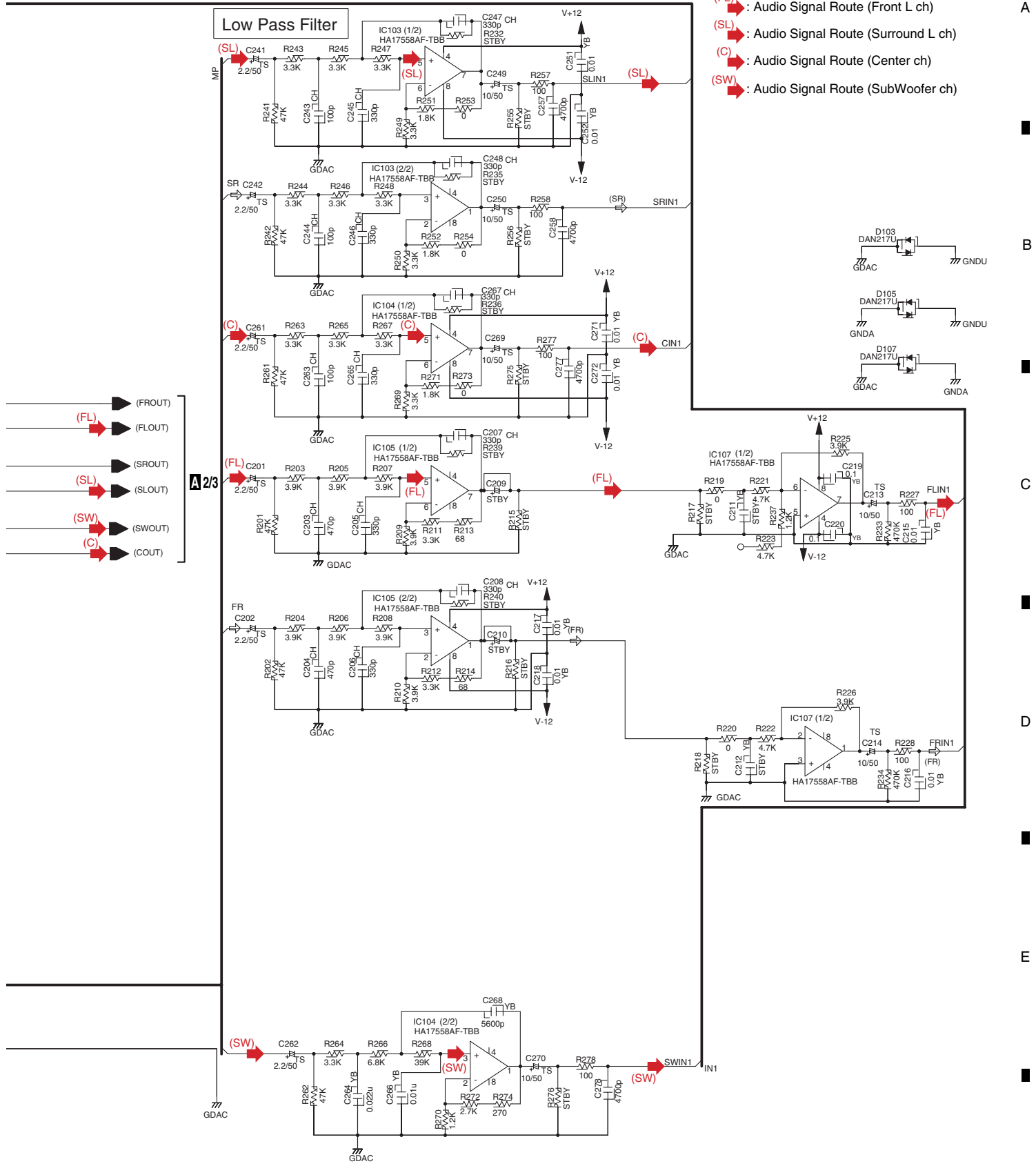
3

4

- When ordering service parts, be sure to refer to "EXPLODED VIEWS and PARTS LIST" or "PCB PARTS LIST".
- The ⚠ mark found on some component parts indicates the importance of the safety factor of the part. Therefore, when replacing, be sure to use parts of identical designation.
-  : The power supply is shown with the marked box.



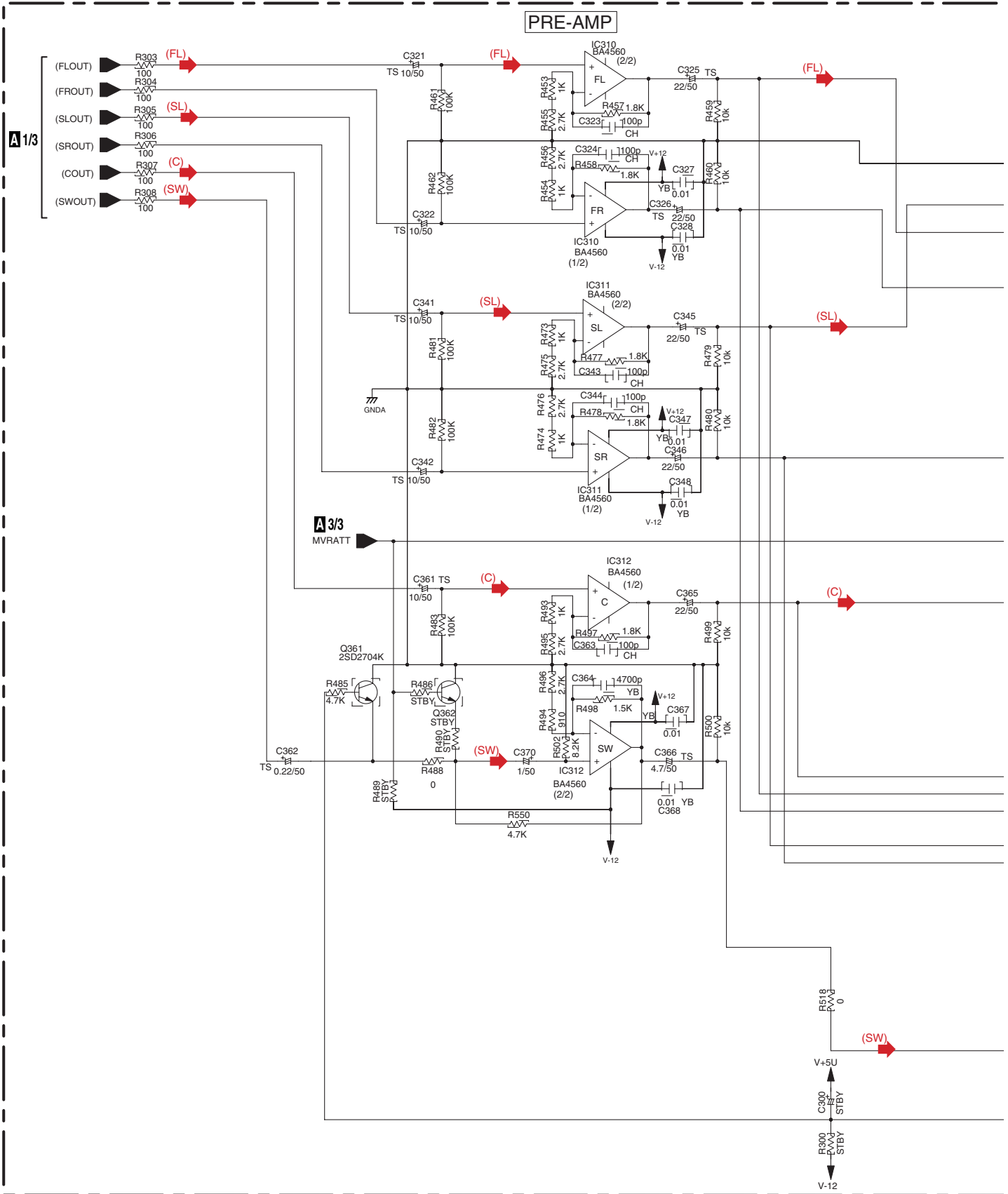
- (L) : Audio Signal Route (L ch)
- (FL) : Audio Signal Route (Front L ch)
- (SL) : Audio Signal Route (Surround L ch)
- (C) : Audio Signal Route (Center ch)
- (SW) : Audio Signal Route (SubWoofers ch)



3.4 MAIN ASSY (2/3)

A 2/3 MAIN ASSY
 (KUCXJ : XWK3227)
 (MYXJ5 : XWK3244)

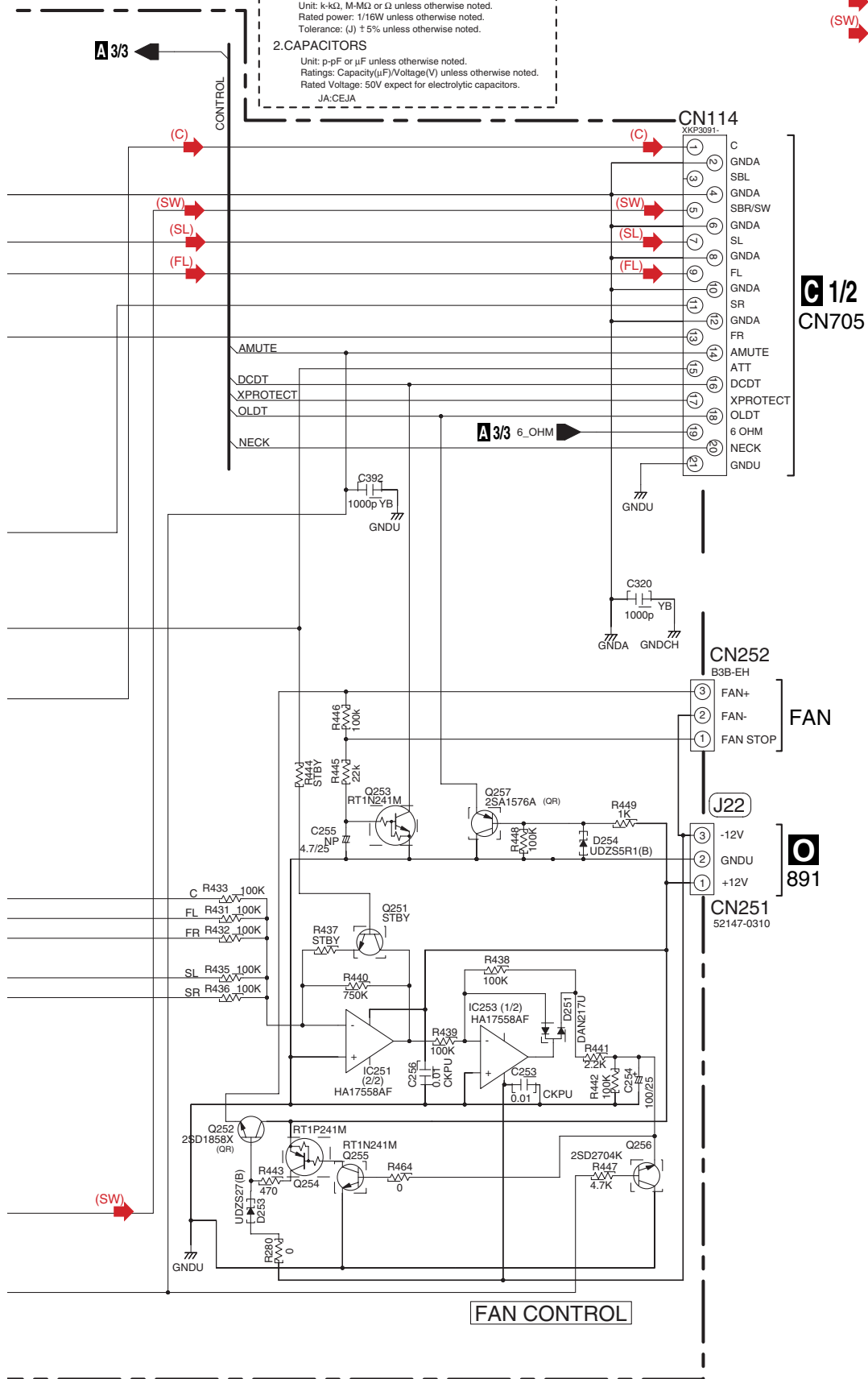
A
B
C
D
E
F



A 2/3

- (FL) → : Audio Signal Route (Front L ch)
- (SL) → : Audio Signal Route (Surround L ch)
- (C) → : Audio Signal Route (Center ch)
- (SW) → : Audio Signal Route (SubWoofer ch)

NOTE
1.RESISTORS
 Unit: k-kΩ, M-MΩ or Ω unless otherwise noted.
 Rated power: 1/16W unless otherwise noted.
 Tolerance: (J) ± 5% unless otherwise noted.
2.CAPACITORS
 Unit: p-pF or μF unless otherwise noted.
 Ratings: Capacity(μF)/Voltage(V) unless otherwise noted.
 Rated Voltage: 50V expect for electrolytic capacitors.
 JA:CEJA



A 3/3

C 1/2
CN705

A 3/3 6_OHM

CN252
B3B-EH
FAN+
FAN-
FAN STOP

J22

891
-12V
GNDU
+12V

CN251
52147-0310

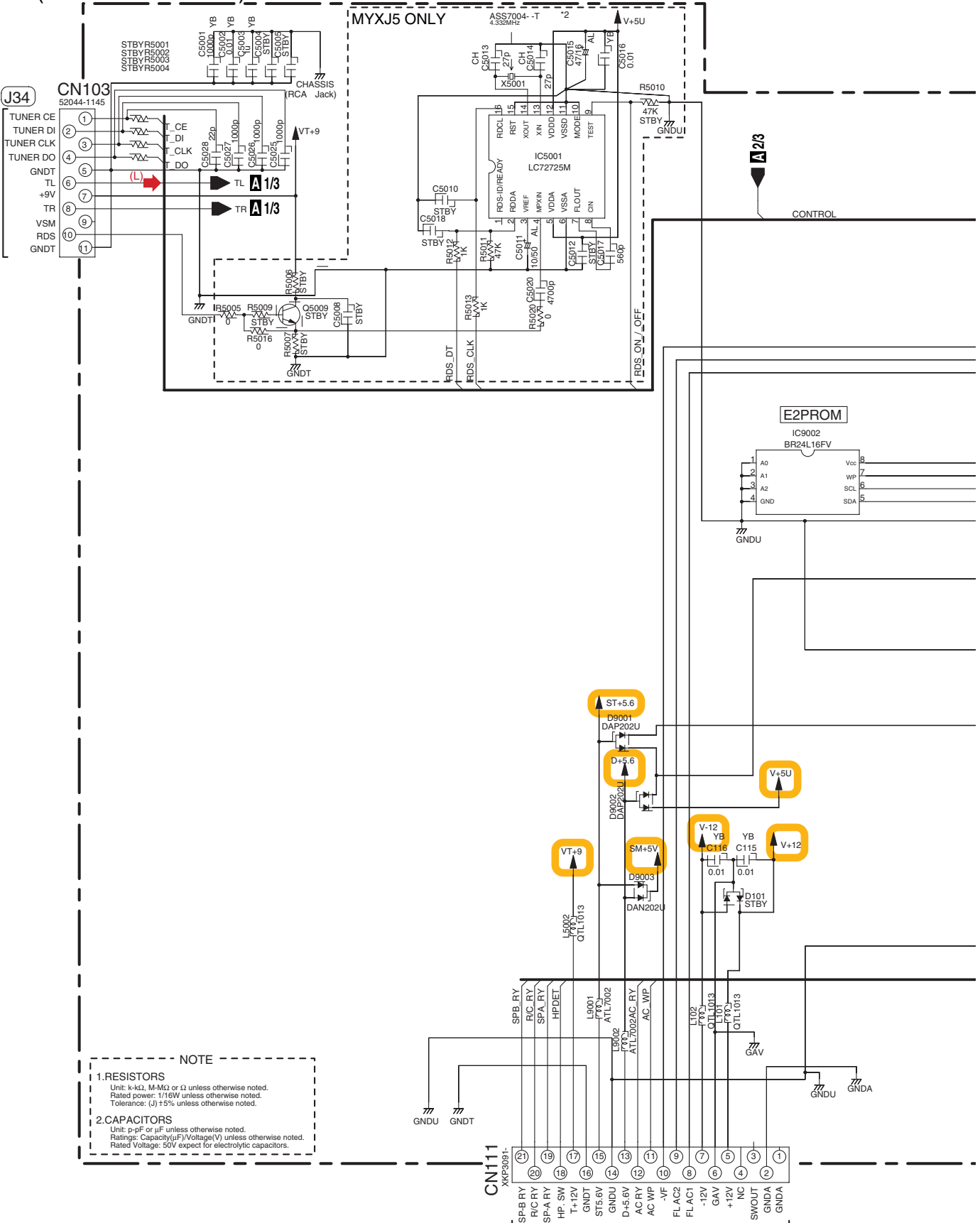
FAN CONTROL

A 2/3

3.5 MAIN ASSY (3/3)

A 3/3 MAIN ASSY (KUCXJ : XWK3227) (MYXJ5 : XWK3244)

A
B
C
D
E
F



NOTE

- RESISTORS**
Unit: k-kΩ, M-MΩ or Ω unless otherwise noted.
Rated power: 1/16W unless otherwise noted.
Tolerance: (J) ±5% unless otherwise noted.
- CAPACITORS**
Unit: p-pF or μF unless otherwise noted.
Ratings: Capacity(μF)/Voltage(V) unless otherwise noted.
Rated Voltage: 50V expect for electrolytic capacitors.

A 3/3

C 2/2 CN816

3.6 DSP ASSY (1/2)

B 1/2 DSP ASSY (AWX8573)

A

B

C

D

E

F

R CN1903

NOTES:

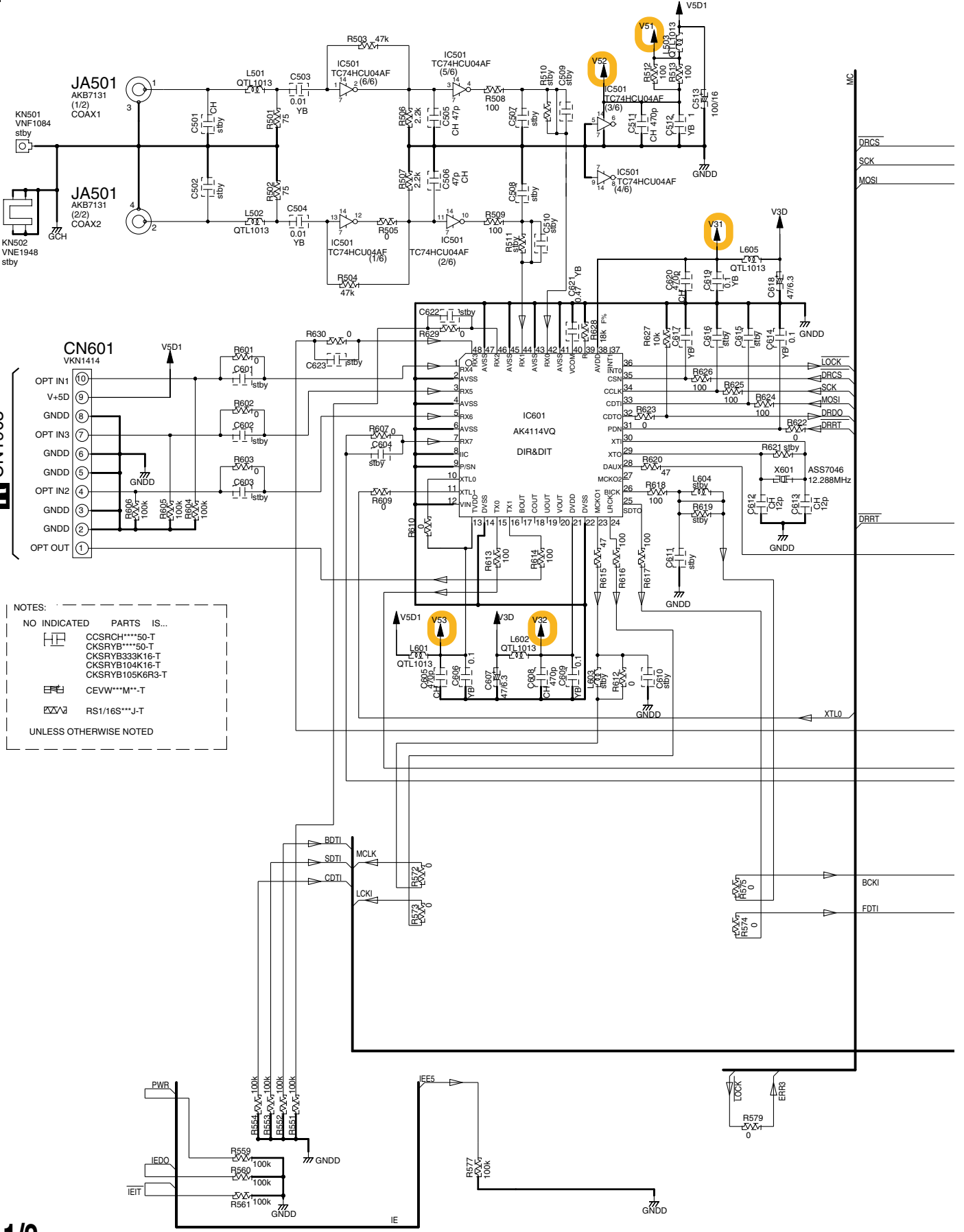
NO INDICATED PARTS IS...

CCSRCH***50-T
 CKSRYB***50-T
 CKSRYB333K16-T
 CKSRYB104K16-T
 CKSRYB105K6R3-T

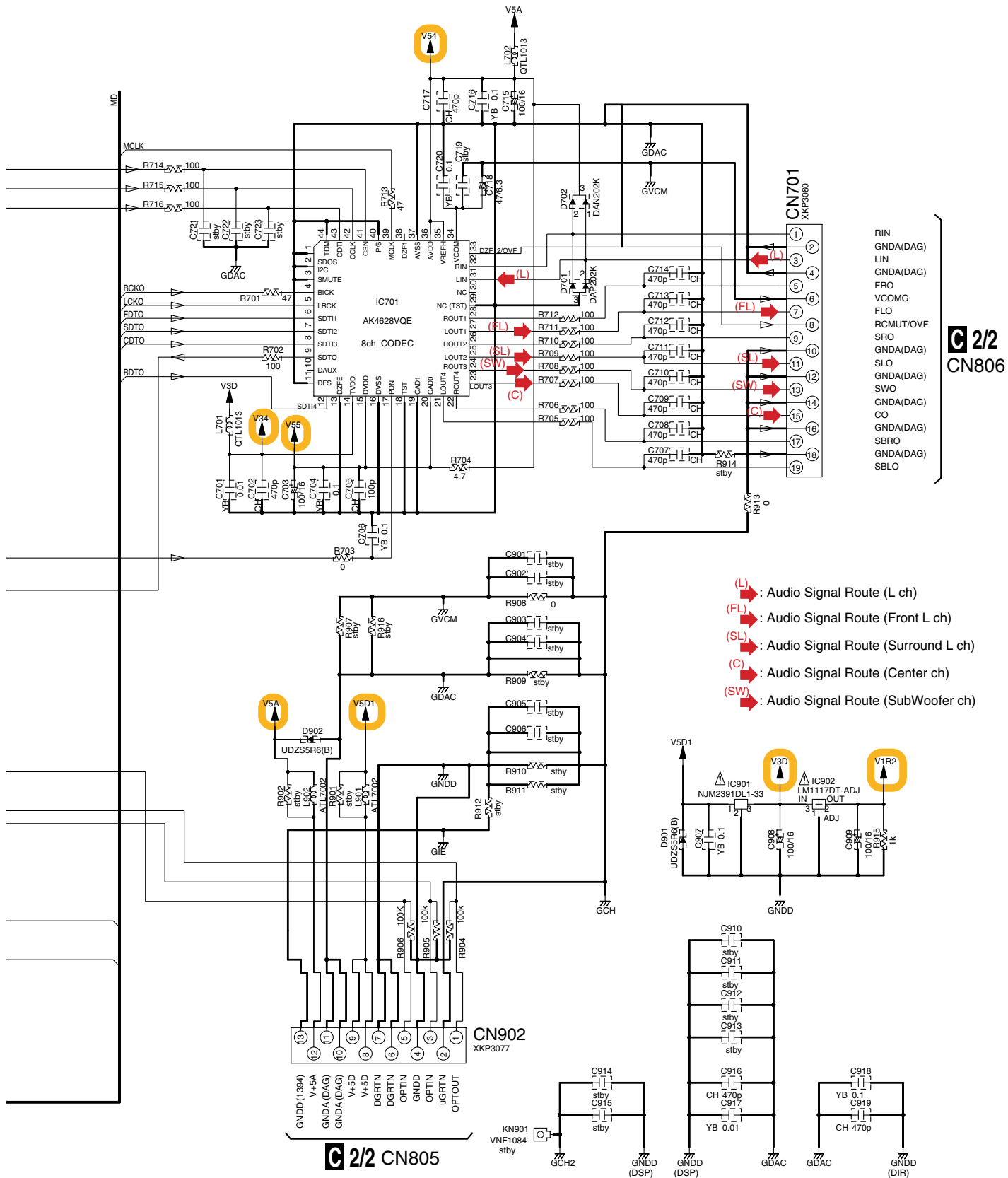
CEVW***M**-T

RS1/16S***J-T

UNLESS OTHERWISE NOTED

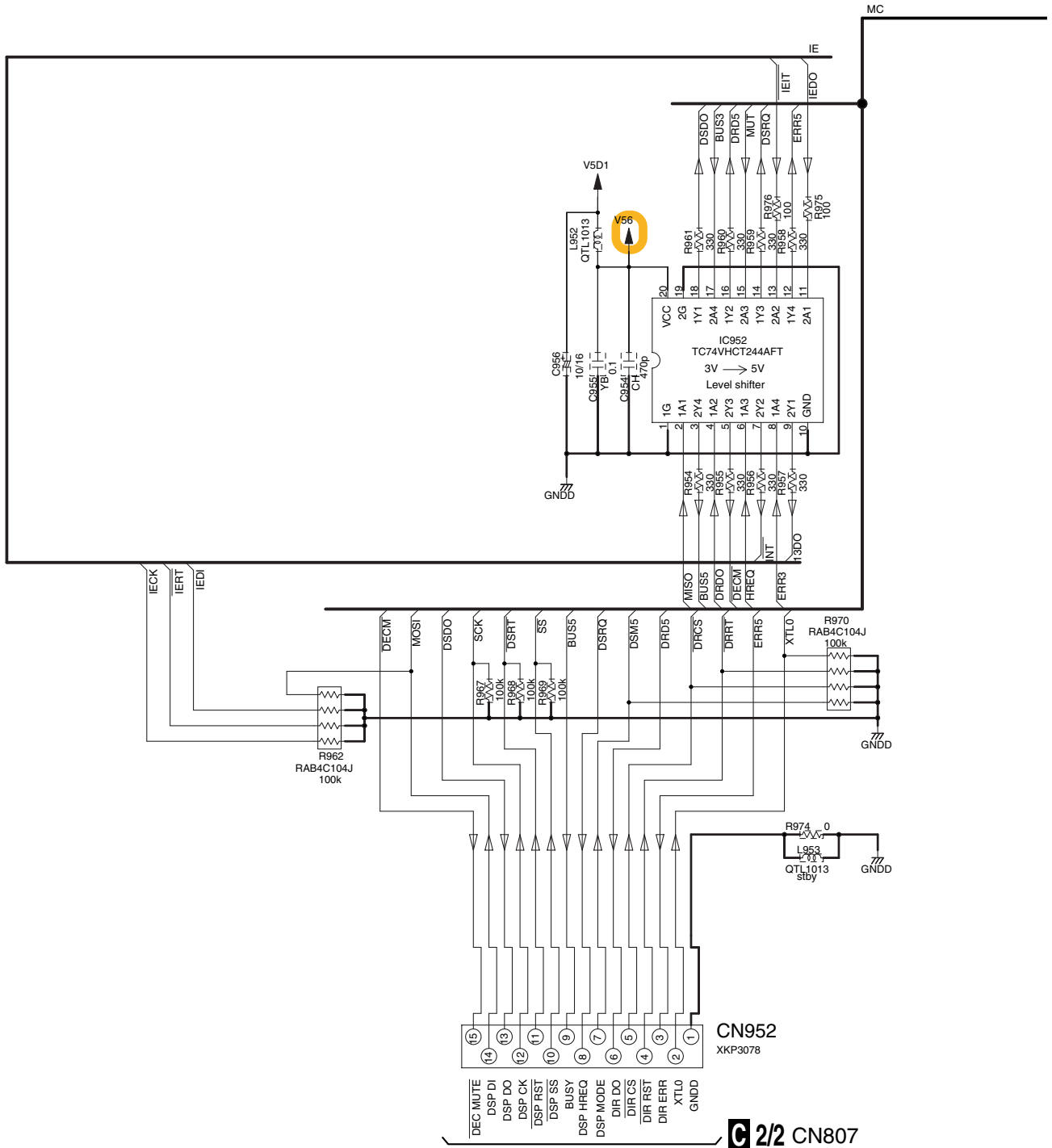


B 1/2



3.7 DSP ASSY (2/2)

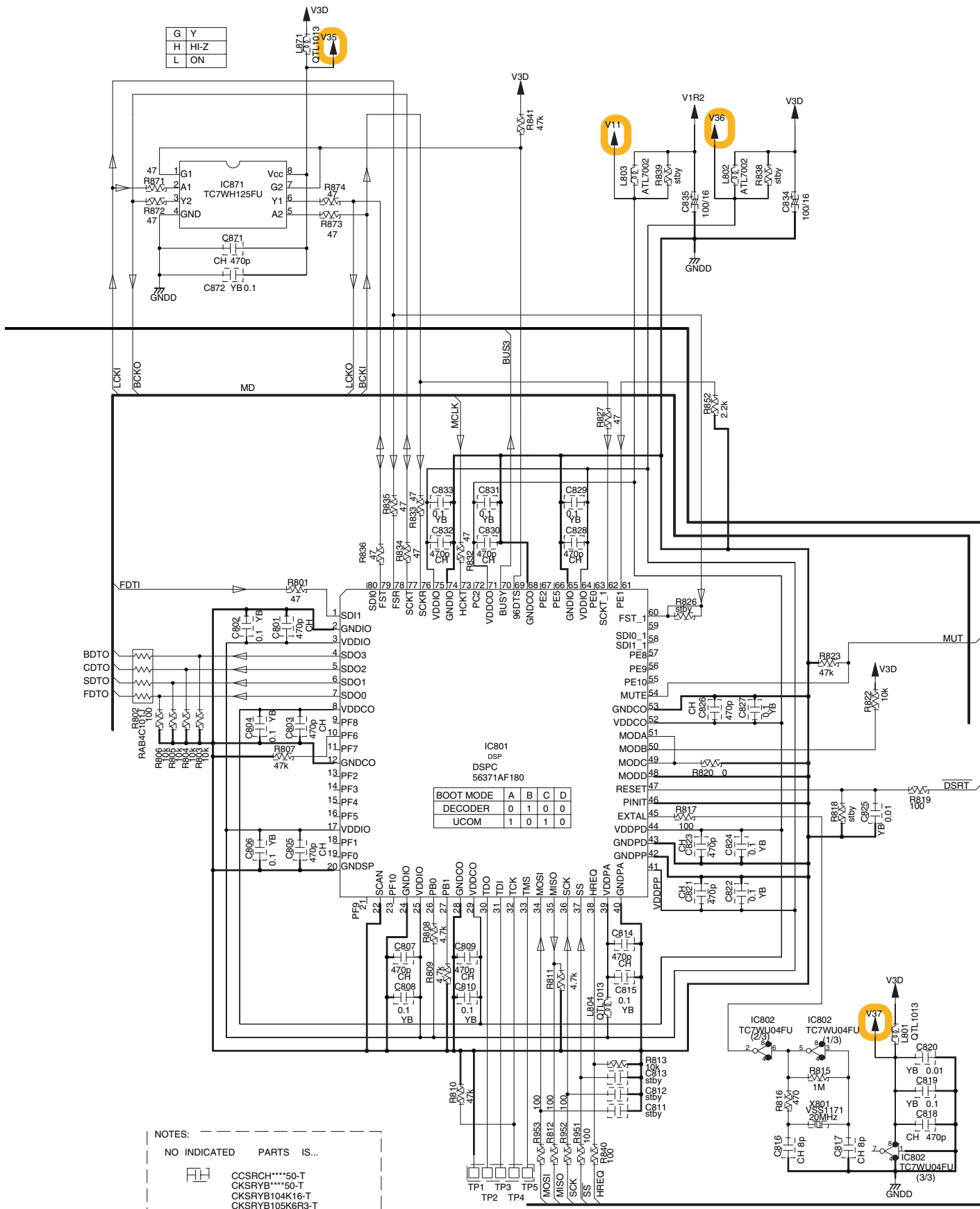
B 2/2 DSP ASSY (AWX8573)



B 2/2

C 2/2 CN807

A
B
C
D
E
F



G	Y
H	HI-Z
L	ON

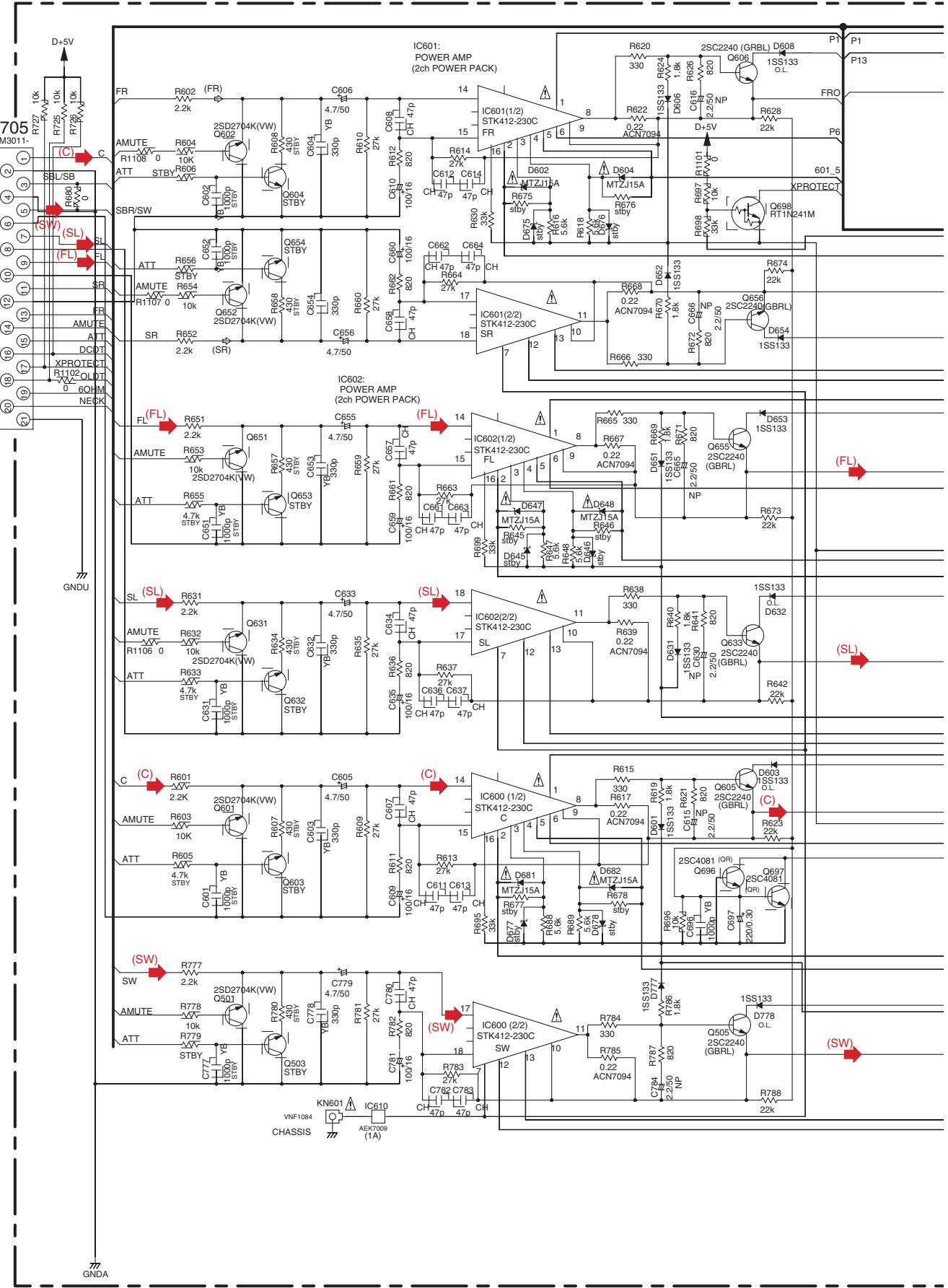
BOOT MODE	A	B	C	D
DECODER	0	1	0	0
UCOM	1	0	1	0

NOTES:
 NO INDICATED PARTS IS...
 CCSRCH***50-T
 CKSRYB***50-T
 CKSRYB104K16-T
 CKSRYB105K6R3-T
 CEVW***M*-T
 RS1/16S***J-T
 UNLESS OTHERWISE NOTED

3.8 POWER PACK (1/2), TRANS 2 and TRANS 3 ASSYS

C 1/2 POWER PACK ASSY (KUCXJ : XWZ4080) (MYXJ5 : XWZ4117)

A
B
C
D
E
F



C 1/2

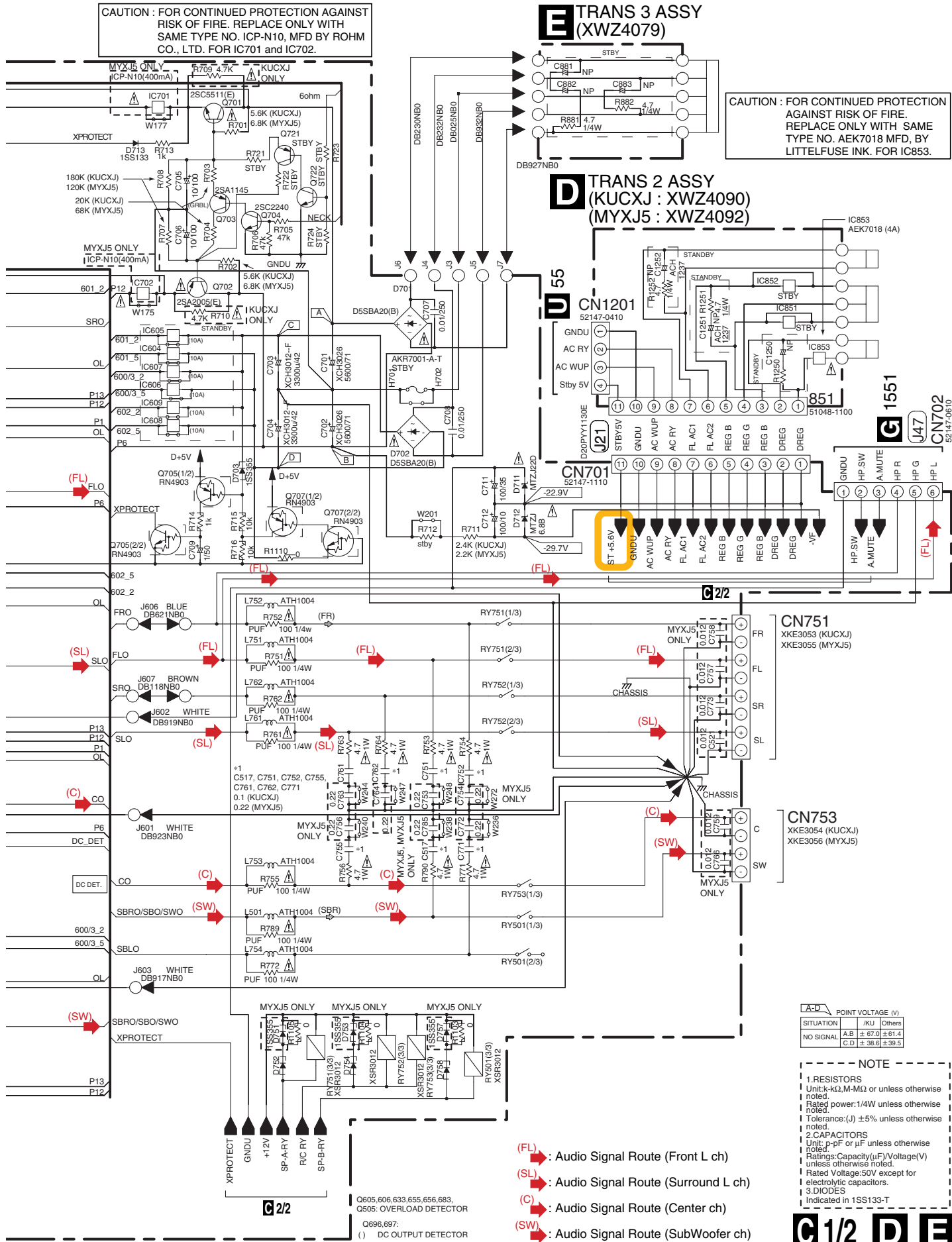
1 2 3 4

CAUTION : FOR CONTINUED PROTECTION AGAINST RISK OF FIRE. REPLACE ONLY WITH SAME TYPE NO. ICP-N10, MFD BY ROHM CO., LTD. FOR IC701 and IC702.

E TRANS 3 ASSY (XWZ4079)

CAUTION : FOR CONTINUED PROTECTION AGAINST RISK OF FIRE. REPLACE ONLY WITH SAME TYPE NO. AEK7018 MFD, BY LITTELFUSE INK. FOR IC853.

D TRANS 2 ASSY (KUCXJ : XWZ4090) (MYXJ5 : XWZ4092)



- (FL) : Audio Signal Route (Front L ch)
- (SL) : Audio Signal Route (Surround L ch)
- (C) : Audio Signal Route (Center ch)
- (SW) : Audio Signal Route (SubWoofer ch)

A-D POINT VOLTAGE (V)	
SITUATION	K/U Others
NO SIGNAL	A,B ± 67.0 ± 61.4 C,D ± 36.8 ± 39.5

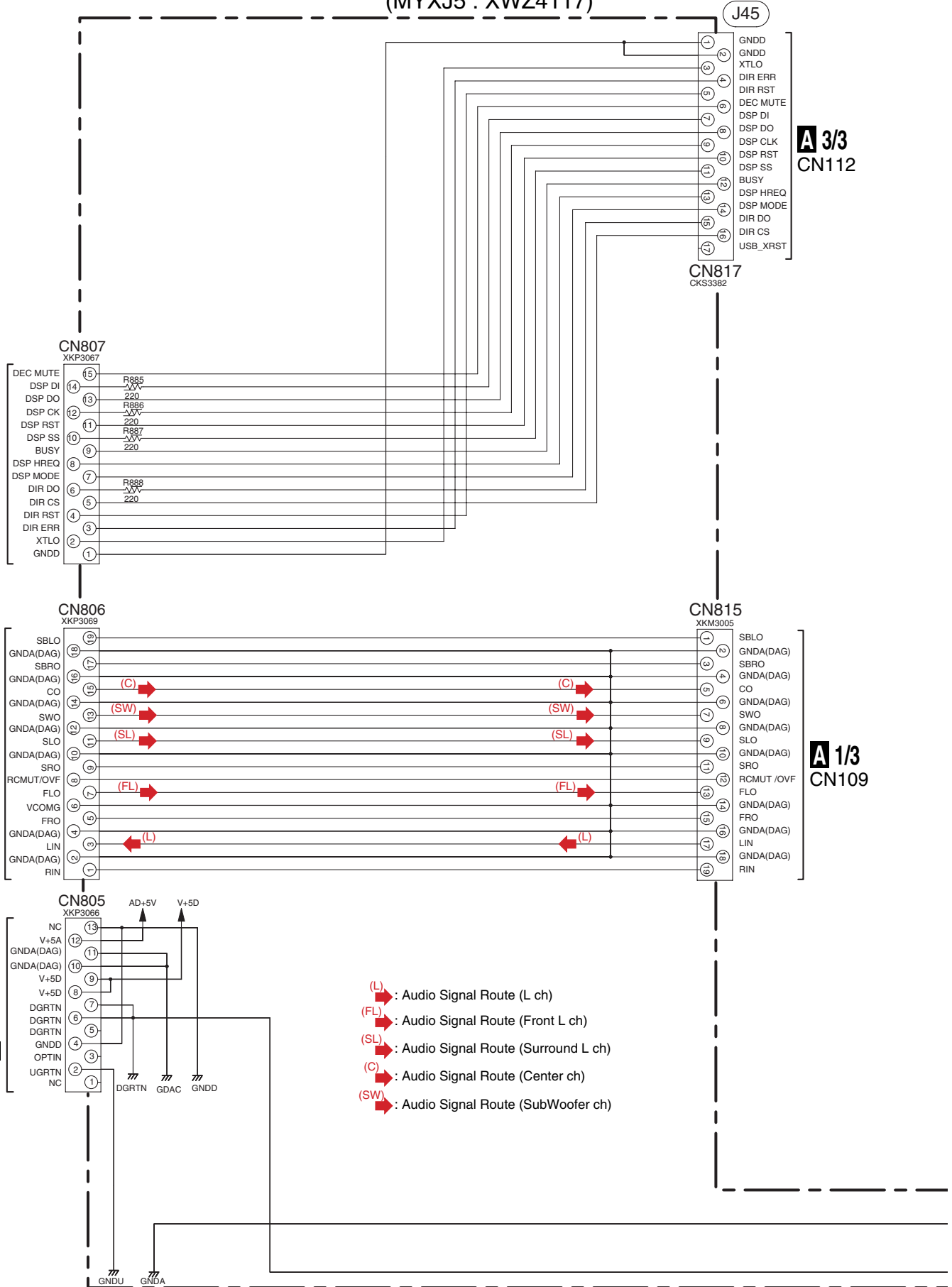
NOTE

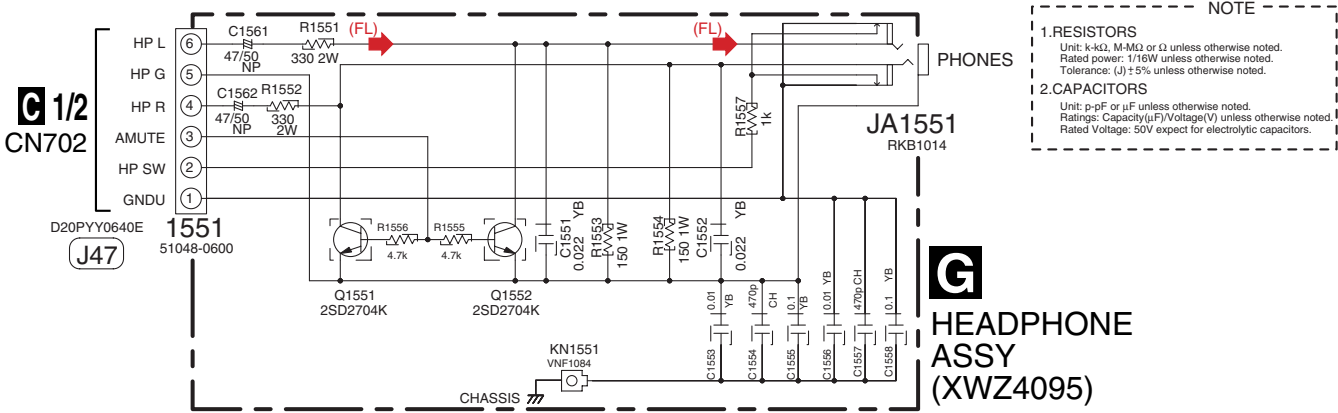
- 1. RESISTORS
Unit: k- Ω , M- Ω or unless otherwise noted.
Rated power: 1/4W unless otherwise noted.
Tolerance: (J) $\pm 5\%$ unless otherwise noted.
- 2. CAPACITORS
Unit: p-pF or μ F unless otherwise noted.
Ratings: Capacity (μ F)/Voltage (V) unless otherwise noted.
Rated Voltage: 50V except for electrolytic capacitors.
- 3. DIODES
Indicated in 1SS133-T

C 1/2 D E

3.9 POWER PACK (2/2) and HEADPHONE ASSYS

C 2/2 POWER PACK ASSY (KUCXJ : XWZ4080) (MYXJ5 : XWZ4117)

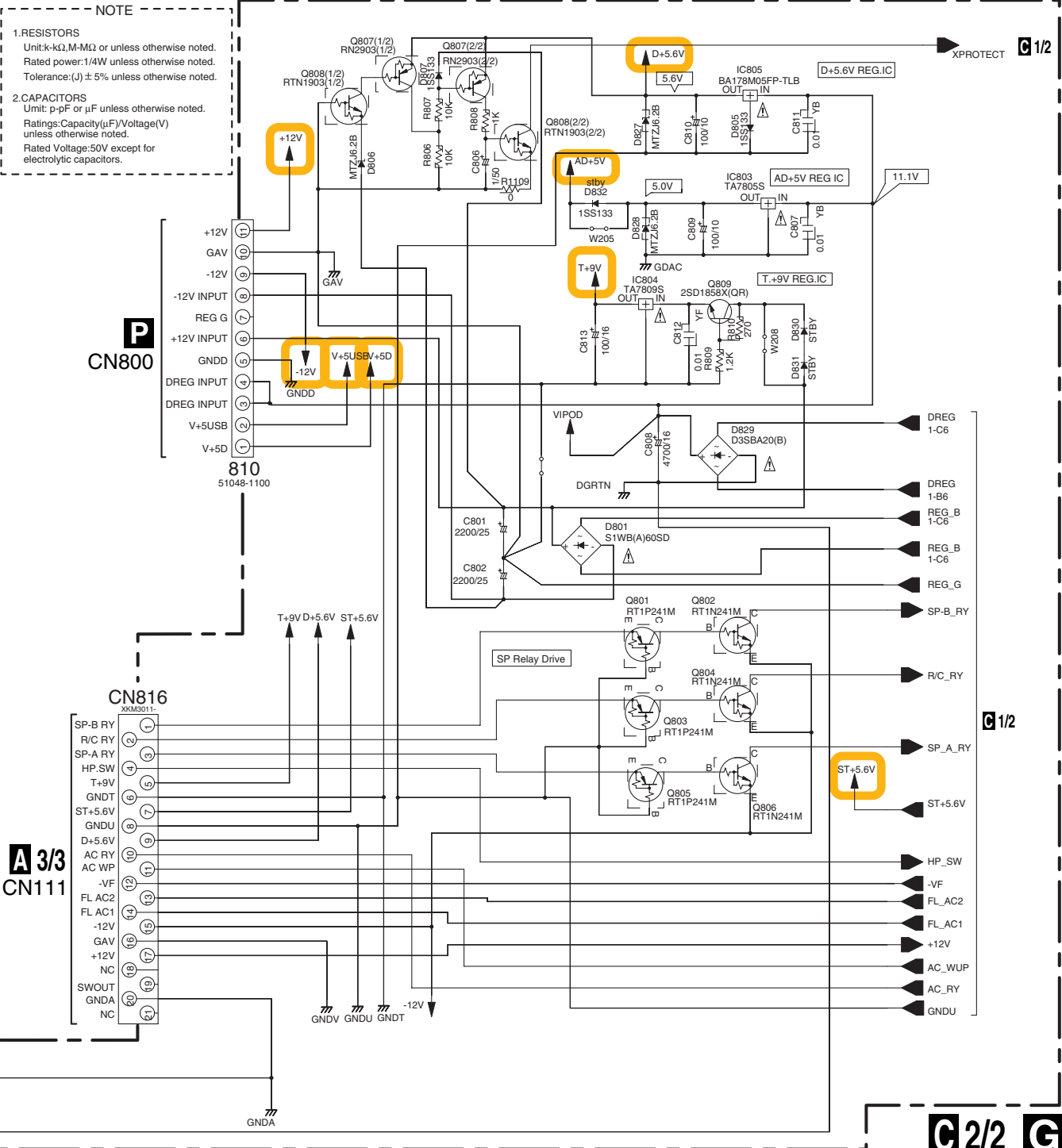




NOTE

1. RESISTORS
Unit: k-Ω, M-Ω or Ω unless otherwise noted.
Rated power: 1/16W unless otherwise noted.
Tolerance: (J) ±5% unless otherwise noted.

2. CAPACITORS
Unit: p-pF or μF unless otherwise noted.
Ratings: Capacity(μF)/Voltage(V) unless otherwise noted.
Rated Voltage: 50V expect for electrolytic capacitors.



NOTE

1. RESISTORS
Unit:k-Ω,M-Ω or unless otherwise noted.
Rated power:1/4W unless otherwise noted.
Tolerance:(J) ± 5% unless otherwise noted.

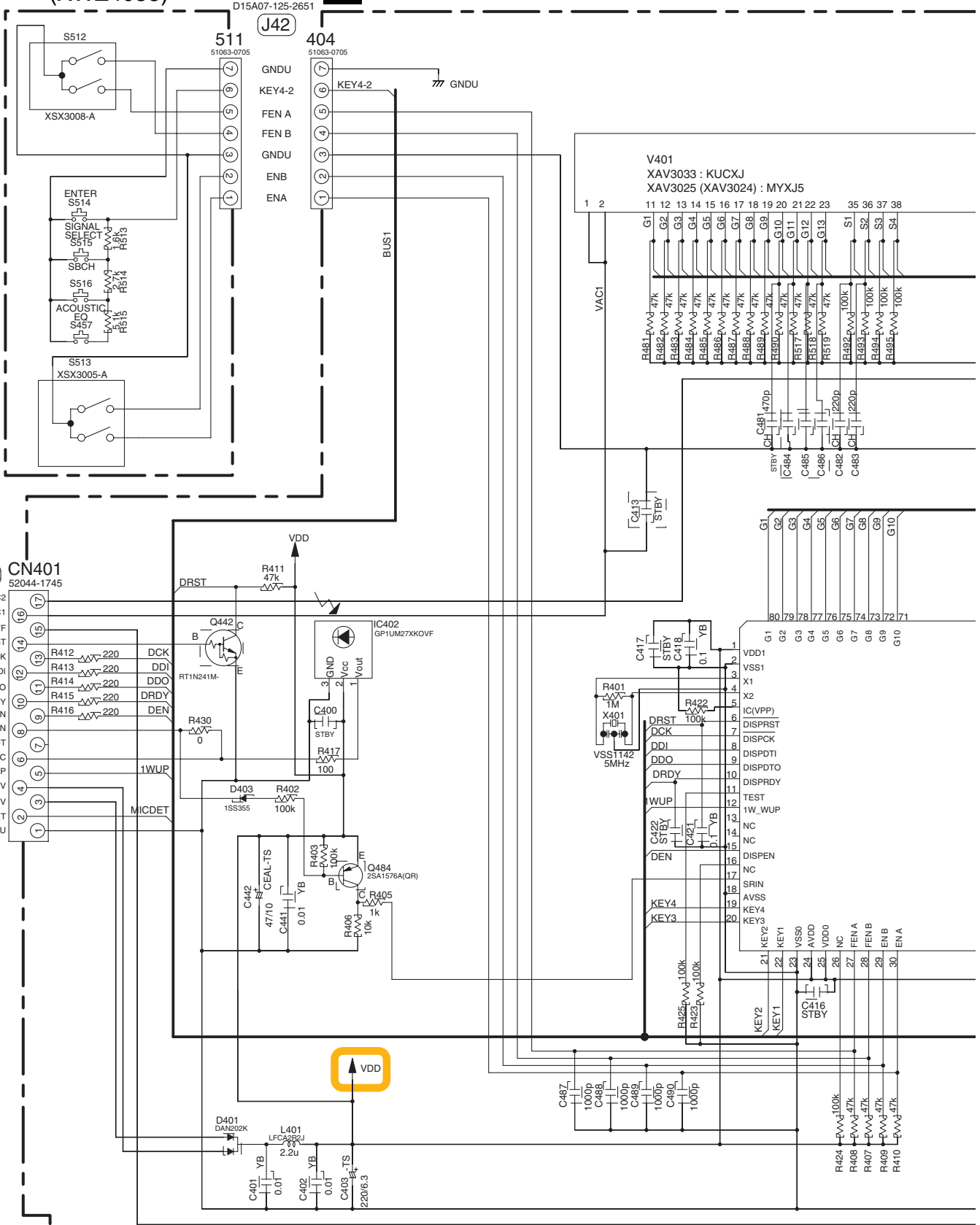
2. CAPACITORS
Unit: p-pF or μF unless otherwise noted.
Ratings:Capacity(μF)/Voltage(V) unless otherwise noted.
Rated Voltage:50V except for electrolytic capacitors.

G 2/2 G

3.10 FRONT DISPLAY, R. ENCODER and POWER KEY ASSYS

L R. ENCODER ASSY (XWZ4055)

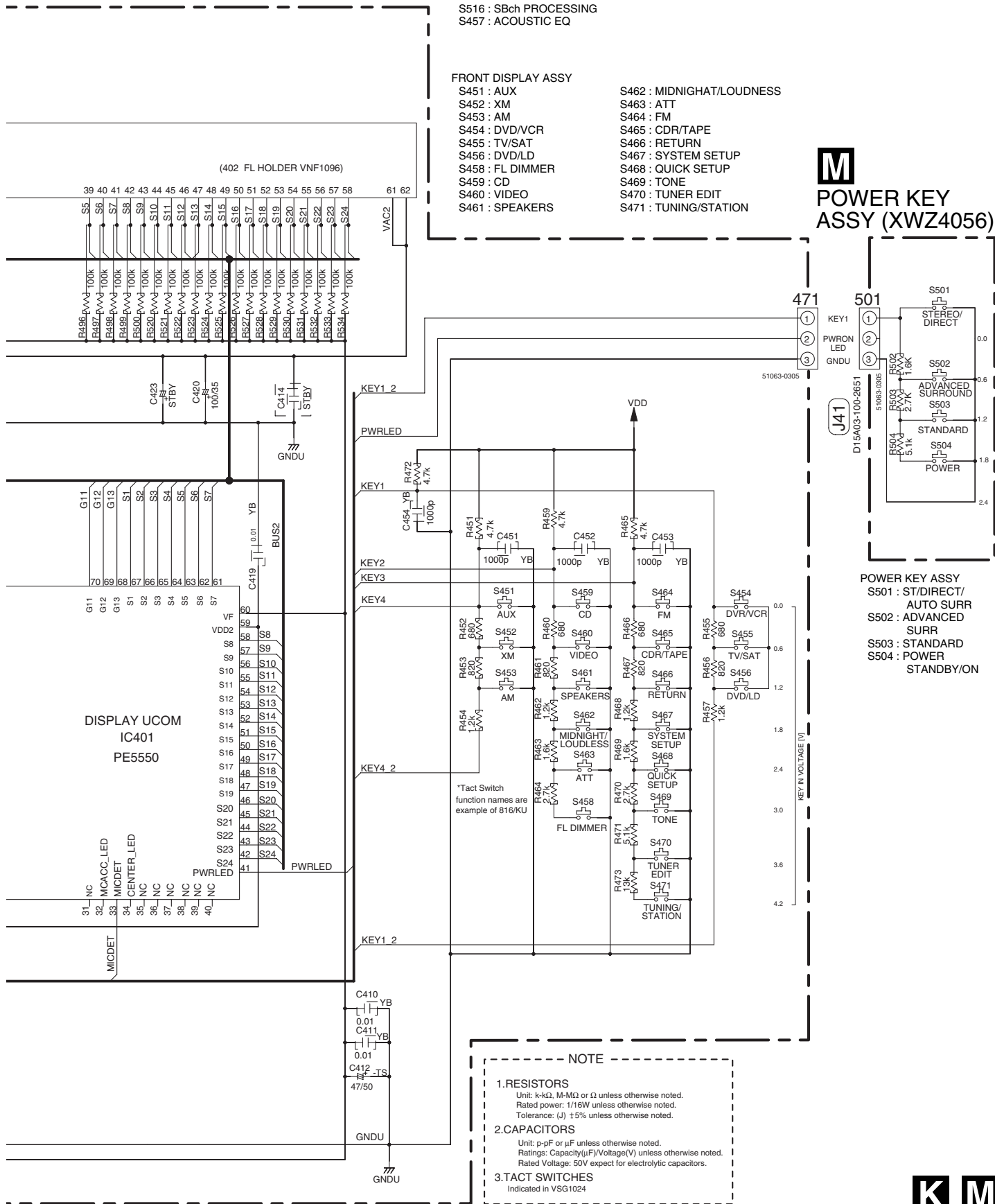
K FRONT DISPLAY ASSY (XWZ4165)



R. ENCODER ASSY
 S512 : MULTI JOG DIAL
 S513 : MASTER VOLUME
 S514 : ENTER
 S515 : SIGNAL SELECT
 S516 : SBCh PROCESSING
 S457 : ACOUSTIC EQ

FRONT DISPLAY ASSY
 S451 : AUX
 S452 : XM
 S453 : AM
 S454 : DVD/VCR
 S455 : TV/SAT
 S456 : DVD/LD
 S458 : FL DIMMER
 S459 : CD
 S460 : VIDEO
 S461 : SPEAKERS
 S462 : MIDNIGHT/LOUDNESS
 S463 : ATT
 S464 : FM
 S465 : CDR/TAPE
 S466 : RETURN
 S467 : SYSTEM SETUP
 S468 : QUICK SETUP
 S469 : TONE
 S470 : TUNER EDIT
 S471 : TUNING/STATION

M
POWER KEY
ASSY (XWZ4056)



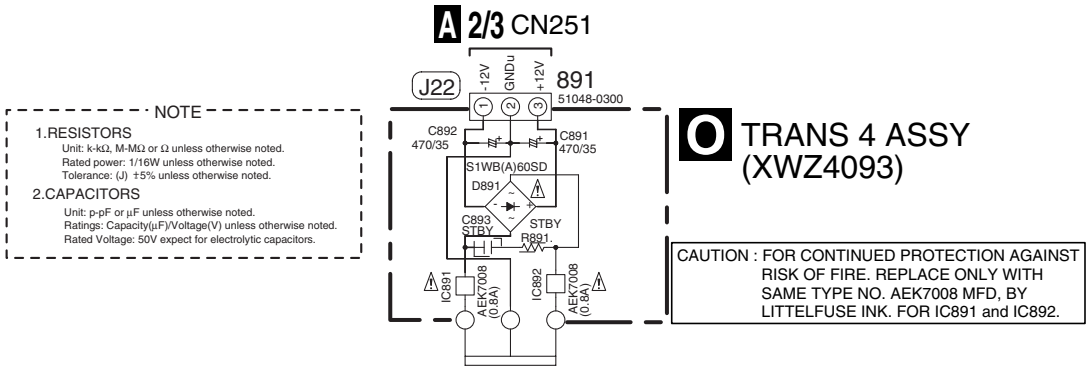
NOTE

- RESISTORS**
 Unit: k- Ω , M- Ω or Ω unless otherwise noted.
 Rated power: 1/16W unless otherwise noted.
 Tolerance: (J) $\pm 5\%$ unless otherwise noted.
- CAPACITORS**
 Unit: p-pF or μ F unless otherwise noted.
 Rating: Capacity(μ F)/Voltage(V) unless otherwise noted.
 Rated Voltage: 50V expect for electrolytic capacitors.
- TACT SWITCHES**
 Indicated in VSG1024

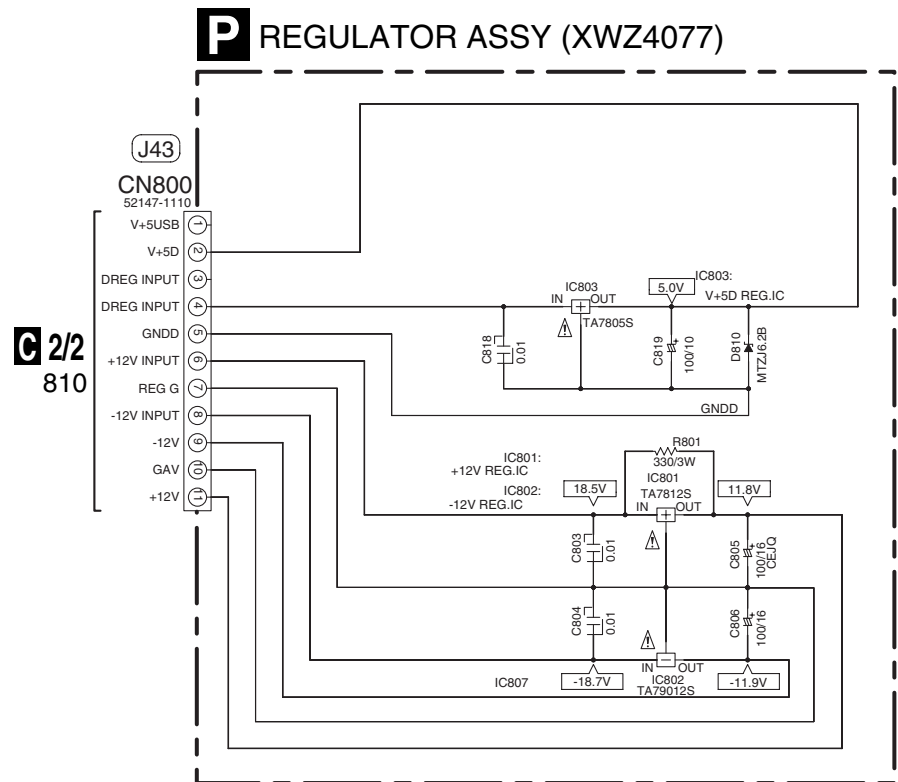


3.11 TRANS 4, REGULATOR and DIGITAL IN ASSYS

A

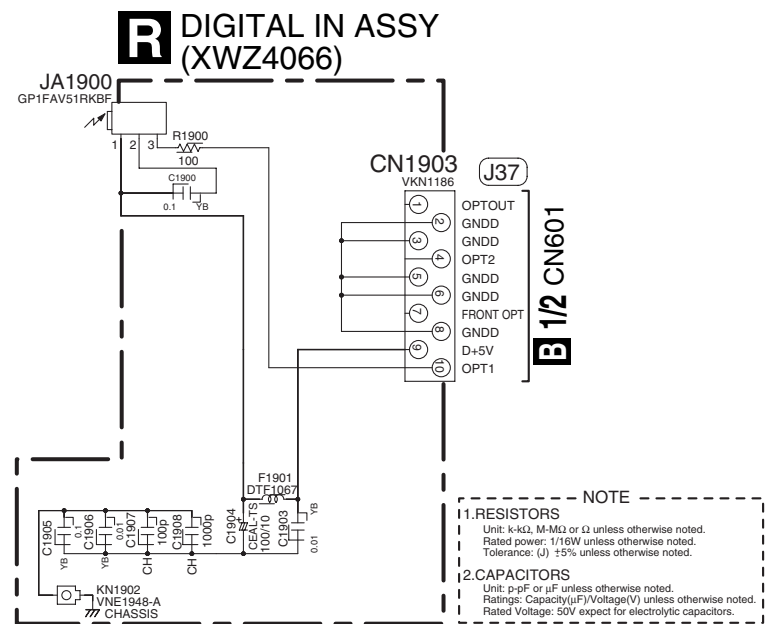


B



D

E



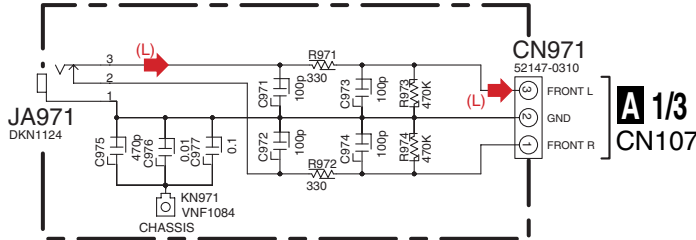
F

OPR

3.12 FRONT INPUT, PRIMARY and TRANS 1 ASSYS

(L) : Audio Signal Route (L ch)

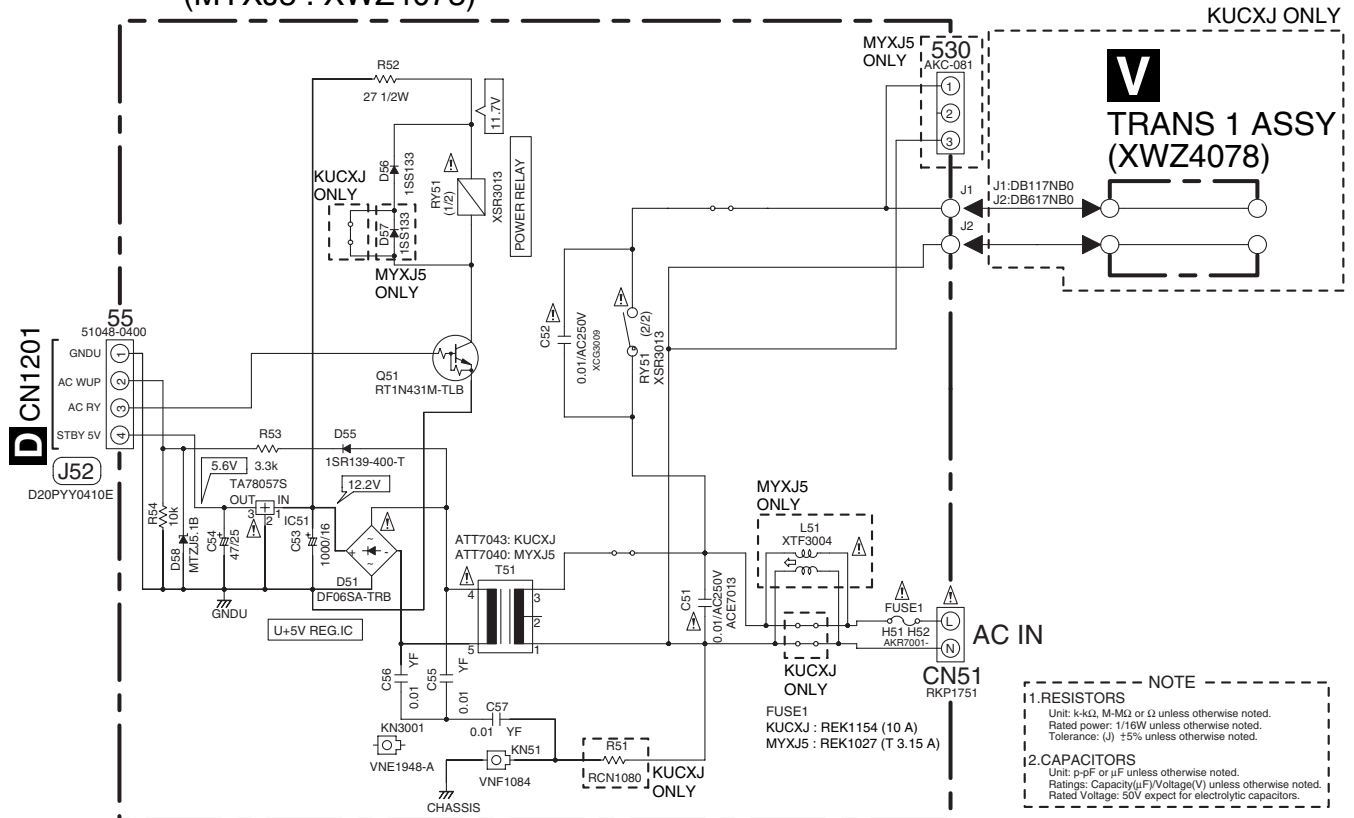
T FRONT INPUT ASSY (XWZ4124)



• NOTE FOR FUSE REPLACEMENT

CAUTION -FOR CONTINUED PROTECTION AGAINST RISK OF FIRE. REPLACE WITH SAME TYPE AND RATINGS ONLY.

U PRIMARY ASSY (KUCXJ : XWZ4128) (MYXJ5 : XWZ4073)



1. RESISTORS
 Unit: k-kΩ, M-MΩ or Ω unless otherwise noted.
 Rated power: 1/10W unless otherwise noted.
 Tolerance: (J) ±5% unless otherwise noted.

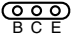
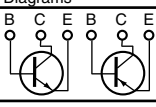

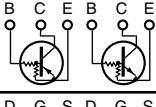
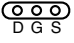
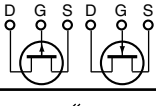

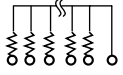

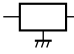
2. CAPACITORS
 Unit: p-pF or μF unless otherwise noted.
 Ratings: Capacity(μF)/Voltage(V) unless otherwise noted.
 Rated Voltage: 50V expect for electrolytic capacitors.



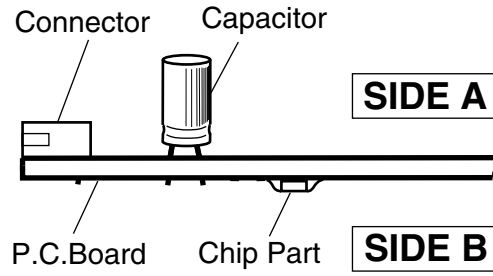
4. PCB CONNECTION DIAGRAM

NOTE FOR PCB DIAGRAMS :

1. Part numbers in PCB diagrams match those in the schematic diagrams.
2. A comparison between the main parts of PCB and schematic diagrams is shown below.

Symbol In PCB Diagrams	Symbol In Schematic Diagrams	Part Name
		Transistor
		Transistor with resistor
		Field effect transistor
		Resistor array
		3-terminal regulator

3. The parts mounted on this PCB include all necessary parts for several destinations.
For further information for respective destinations, be sure to check with the schematic diagram.
4. View point of PCB diagrams.



SIDE B

A

B

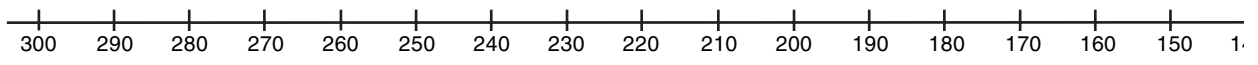
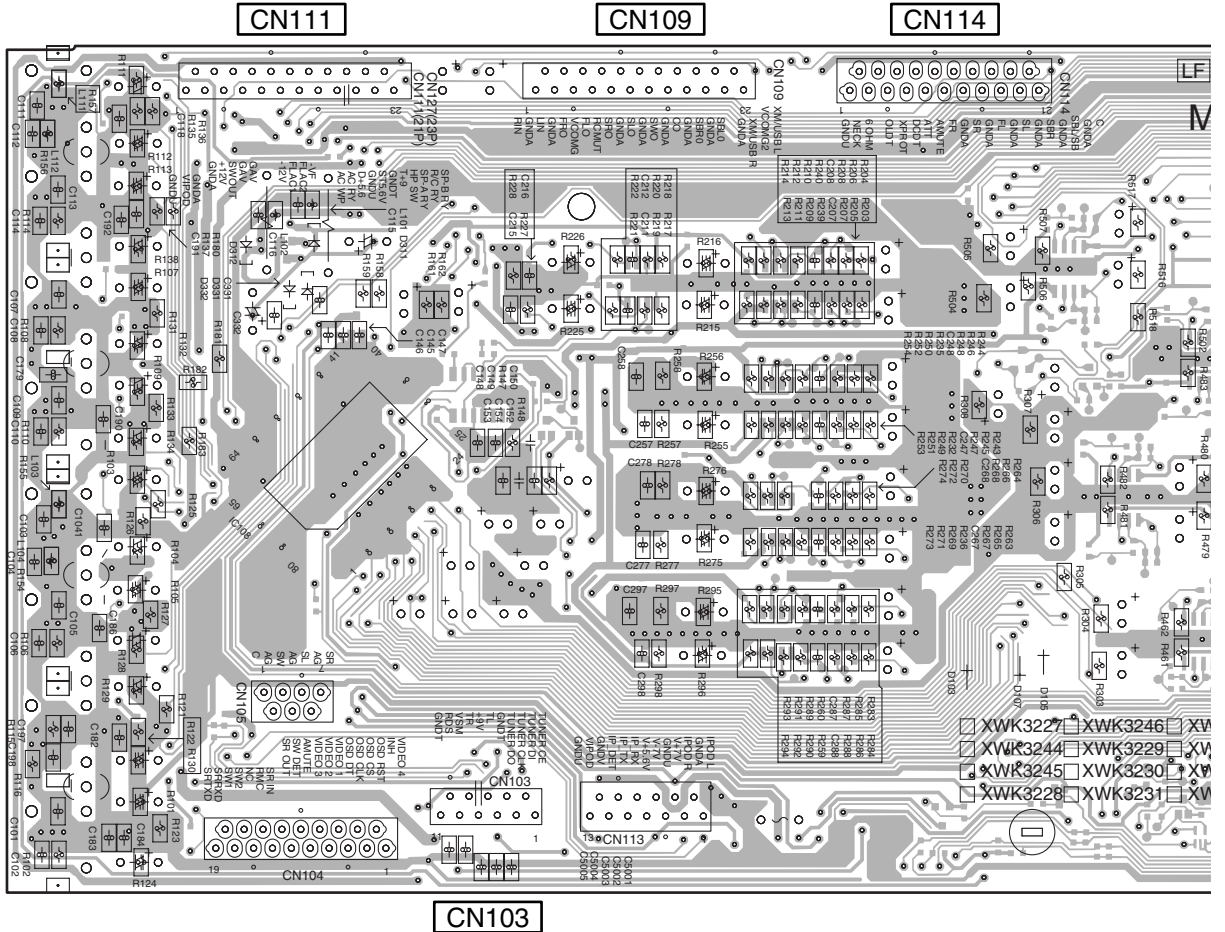
C

D

E

F

A MAIN ASSY

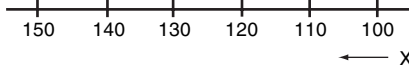
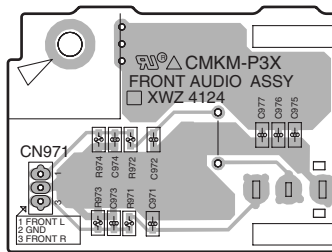


A

T FRONT INPUT ASSY

(XNP3100-C)

CN971



SIDE B

A

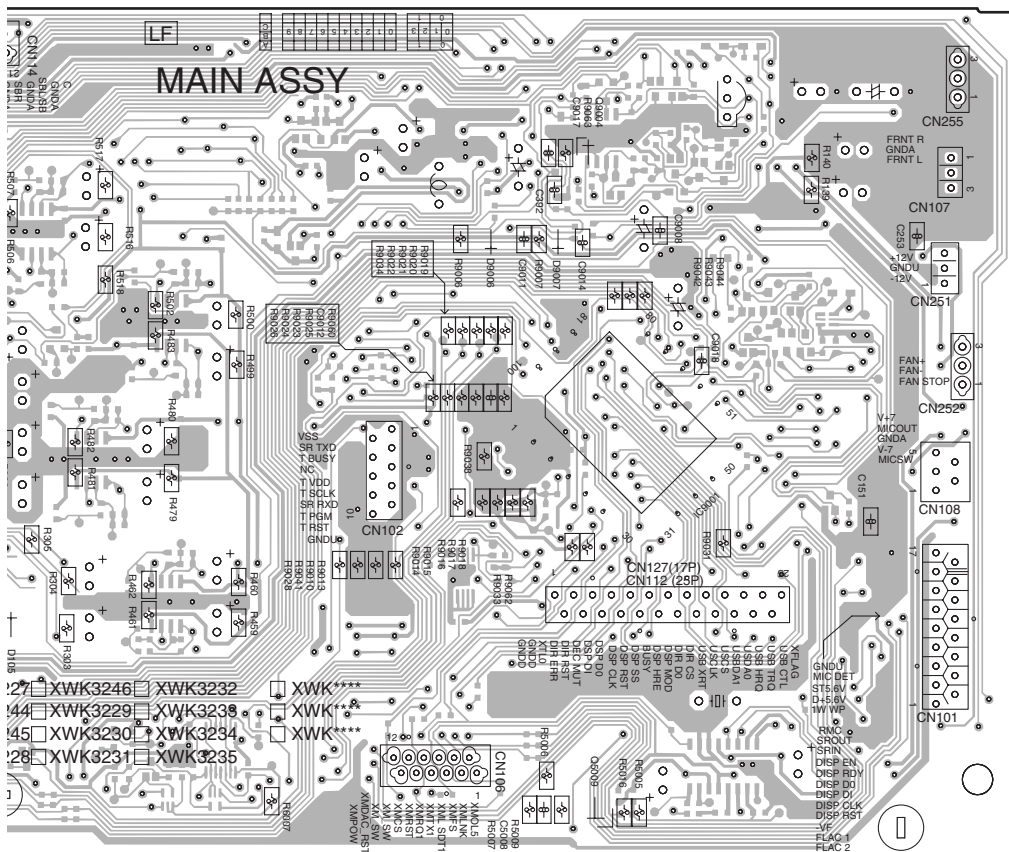
B

C

D

E

F



CN112

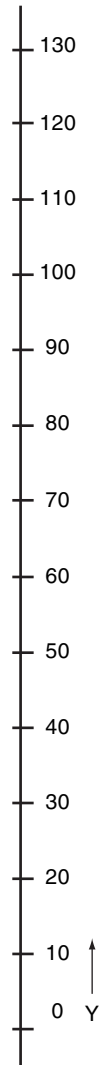
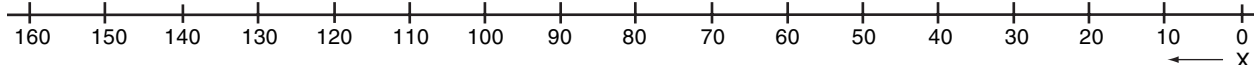
(XNP3102-C)

CN107

CN251

CN252

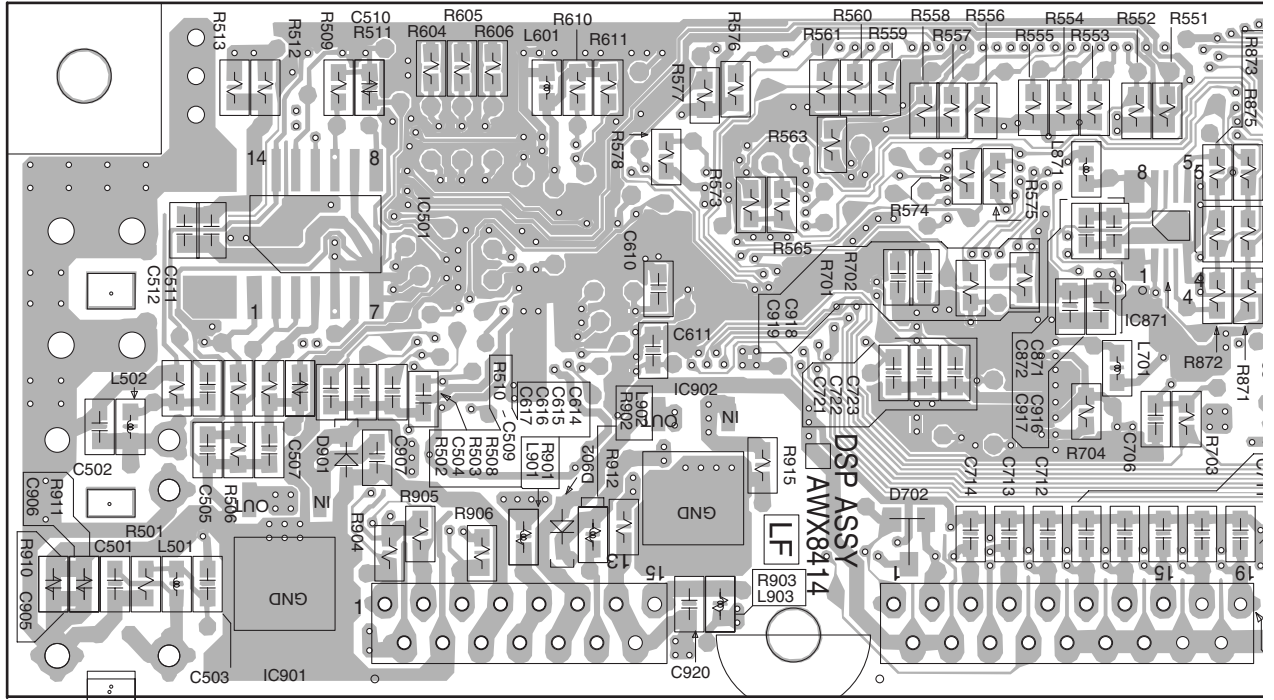
CN101



AT

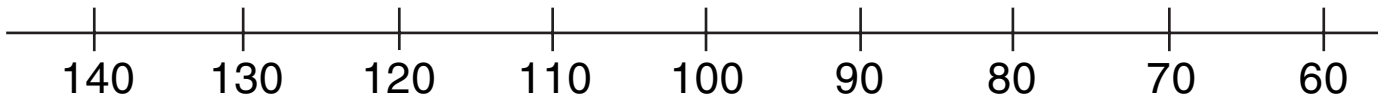
SIDE B

B DSP ASSY



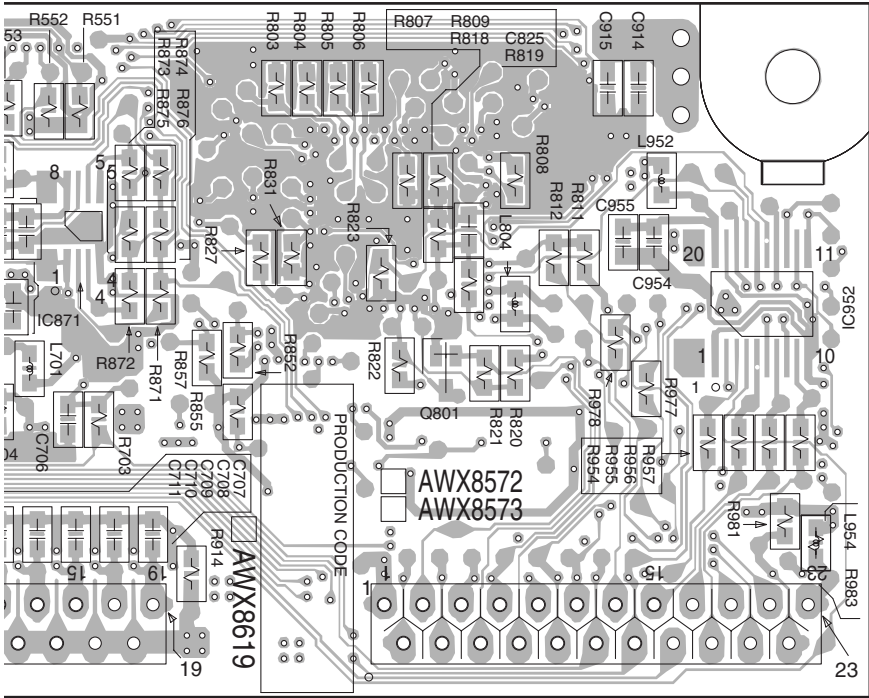
CN902

CN701

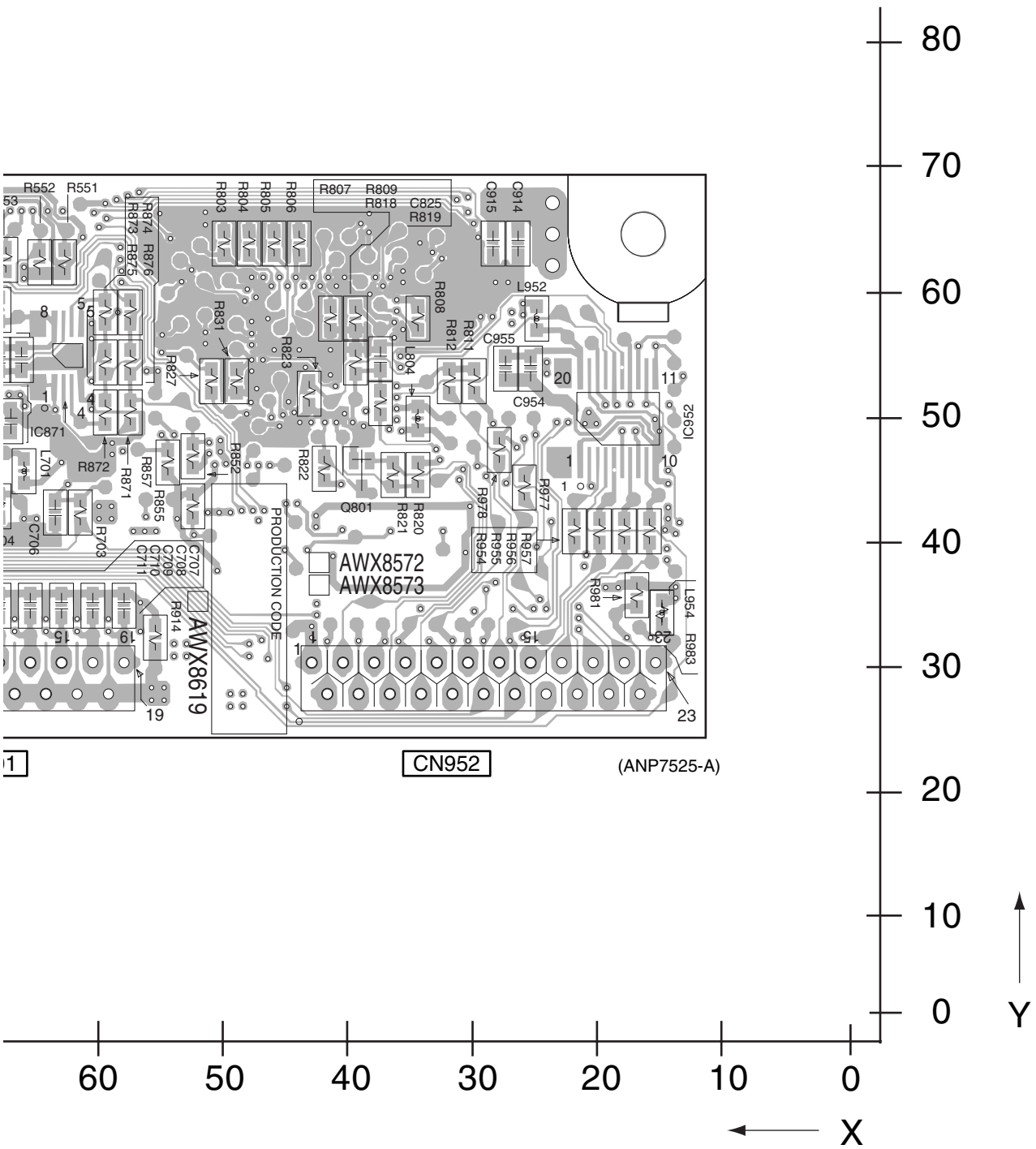


B

A
B
C
D
E
F



1 CN952 (ANP7525-A)



5

6

7

8

5

6

7

8

4.4 POWER PACK ASSY

SIDE A

C POWER PACK ASSY

A

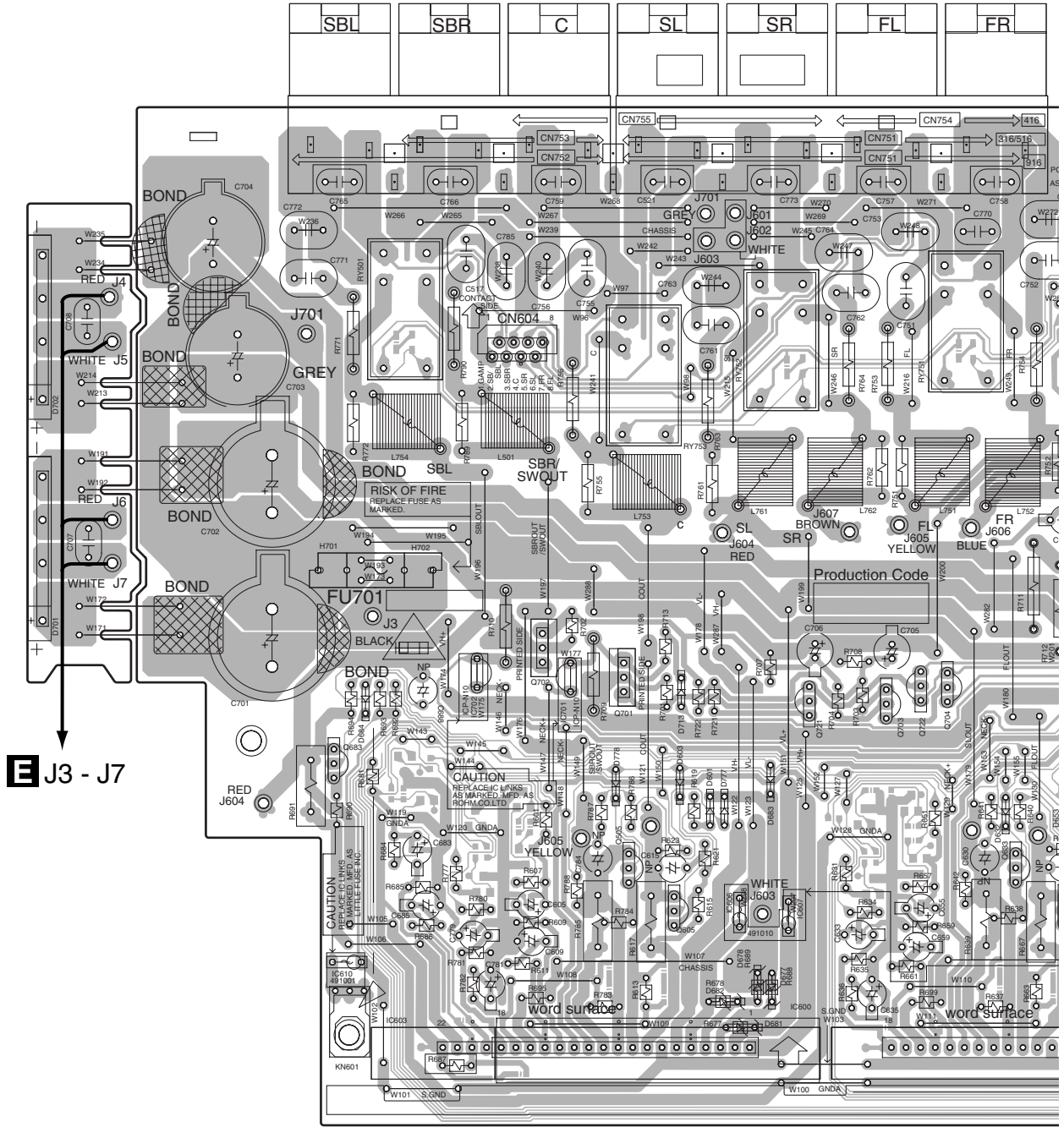
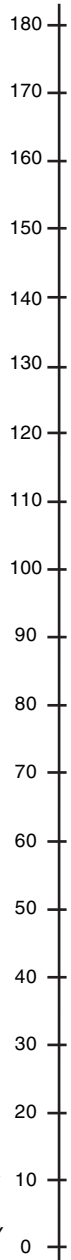
B

C

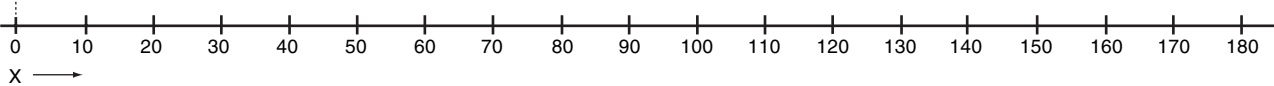
D

E

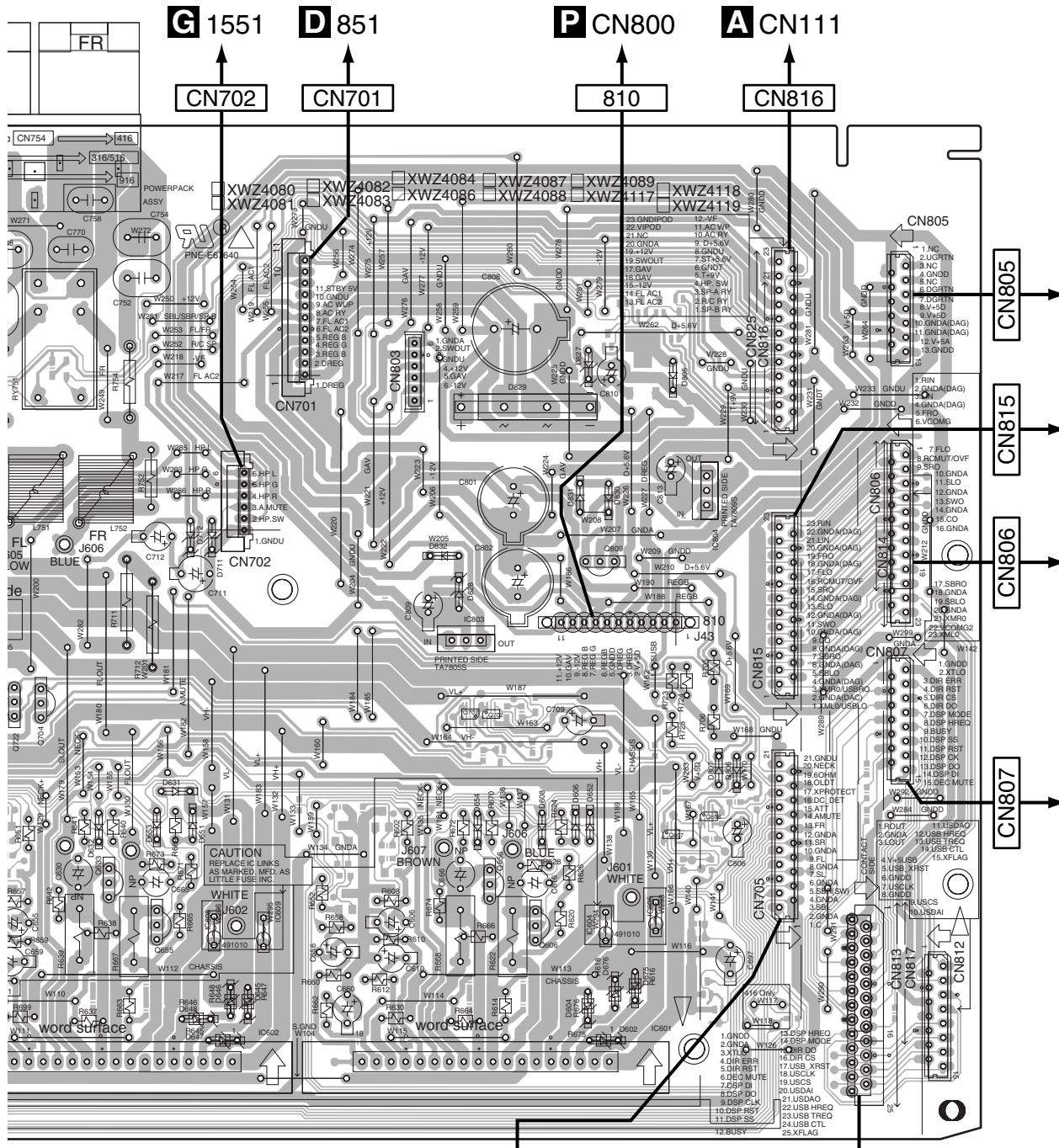
F



E J3 - J7



C



G 1551

D 851

P CN800

A CN111

CN702

CN701

810

CN816

CN805

CN806

CN815

CN807

CN808

CN809

CN810

CN811

CN812

CN813

CN814

CN815

CN816

CN817

CN818

CN819

CN820

CN821

CN822

CN823

CN824

CN825

CN826

CN827

CN828

(XNP3101-C)

CN705

CN817

A CN114

A CN112

CN805

CN806

CN815

CN807

CN808

CN809

CN810

CN811

CN812

CN813

CN814

CN815

CN816

CN817

CN818

CN819

CN820

CN821

CN822

CN823

CN824

CN825

CN826

CN827

CN828

30 170 180 190 200 210 220 230 240 250 260 270 280 290 300 310 320 330 340

SX-316-S

C

SIDE B

A

B

C

D

E

F

POWER PACK ASSY

810

CN701

CN702

CN805

CN816

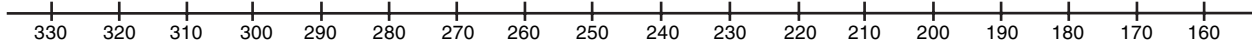
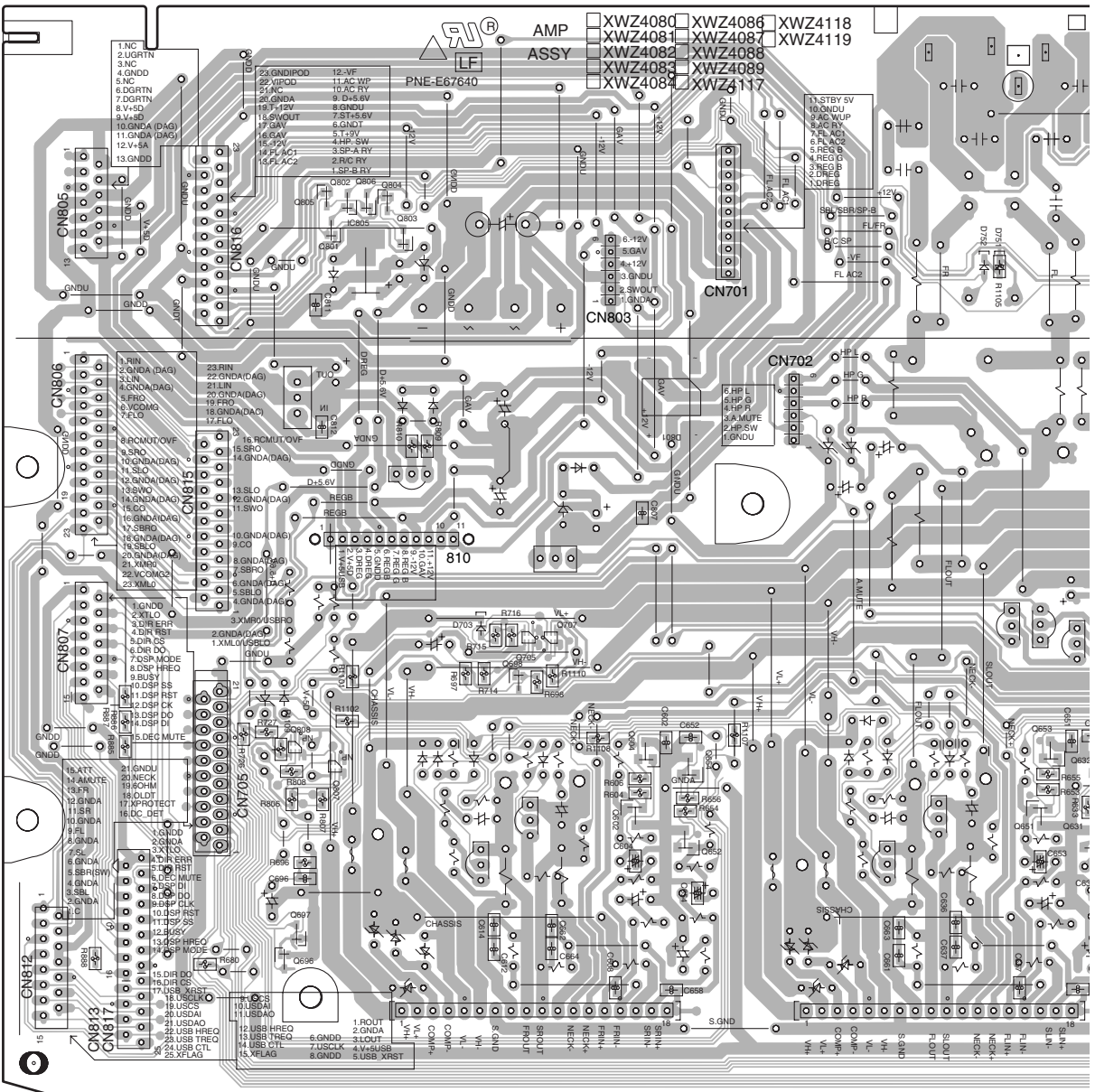
CN806

CN815

CN807

CN805

CN817



SIDE B

A

B

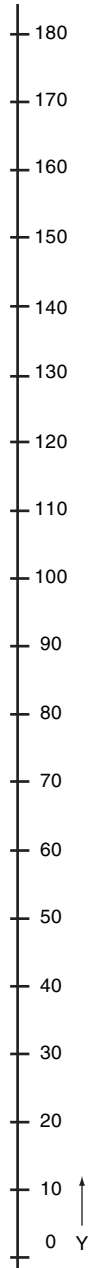
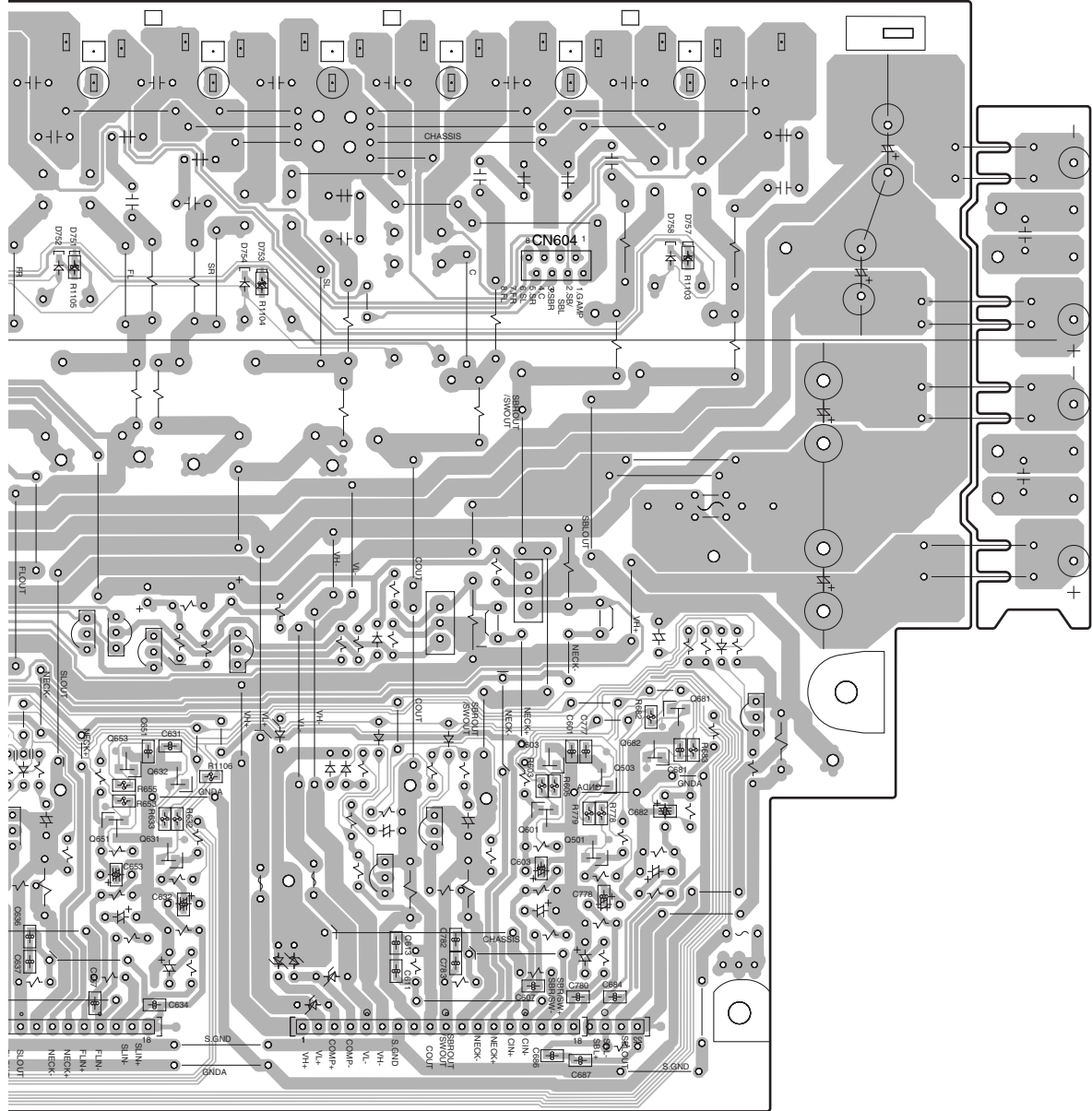
C

D

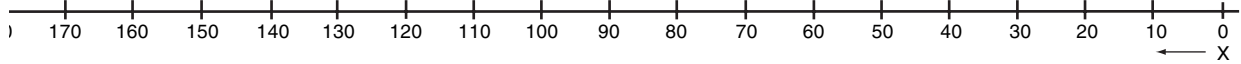
E

F

CN604



(XNP3101-C)



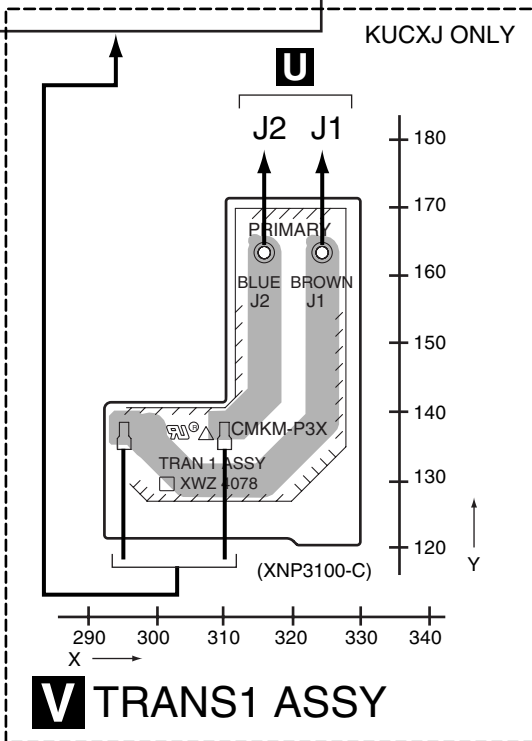
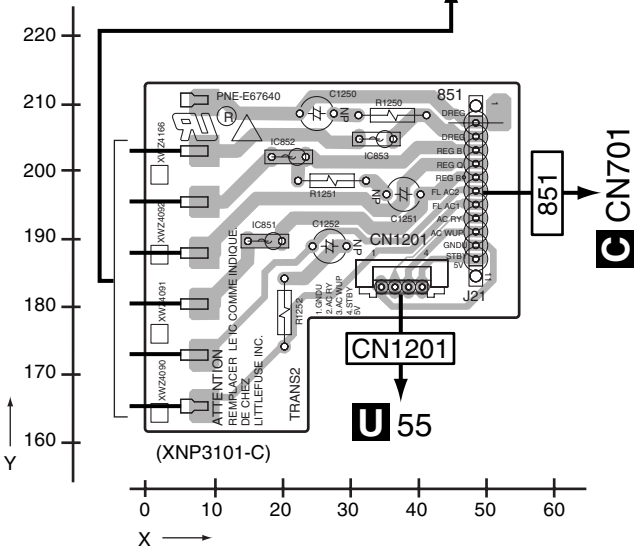
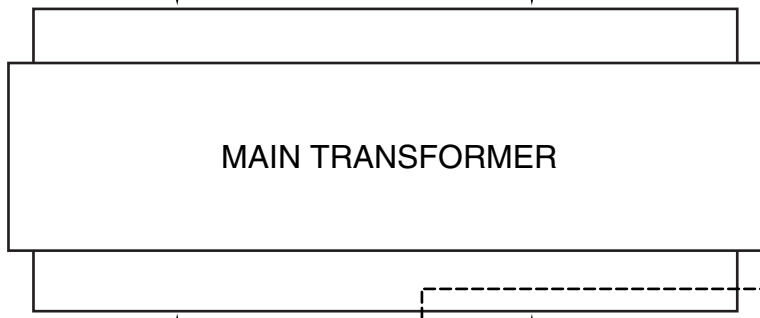
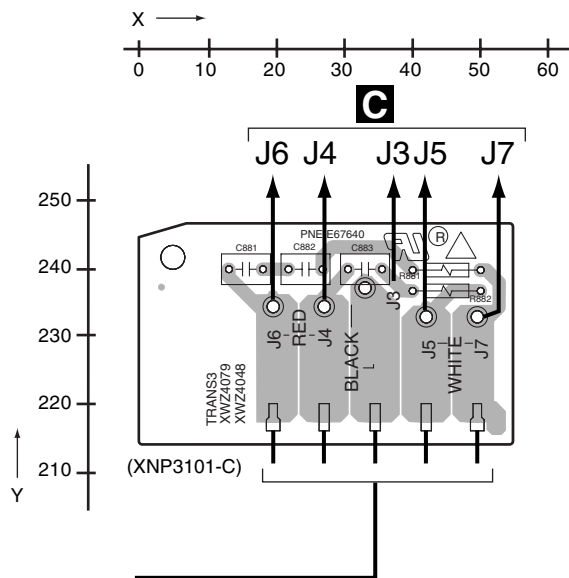
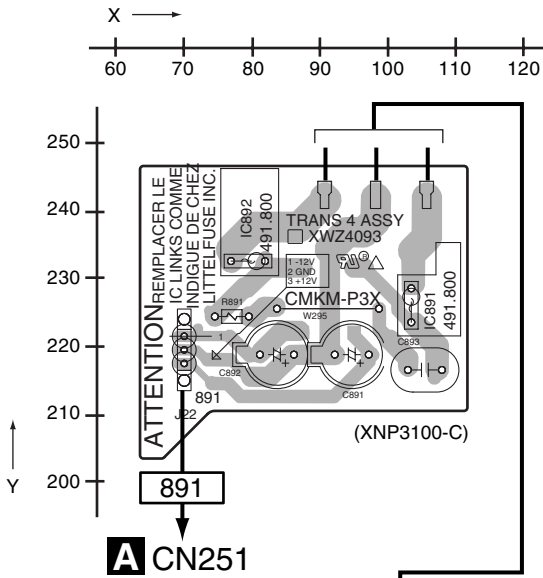
4.5 TRANS2, TRANS3, TRANS4 and TRANS1 ASSYS

SIDE A

SIDE A

O TRANS4 ASSY

E TRANS3 ASSY



D TRANS2 ASSY

V TRANS1 ASSY

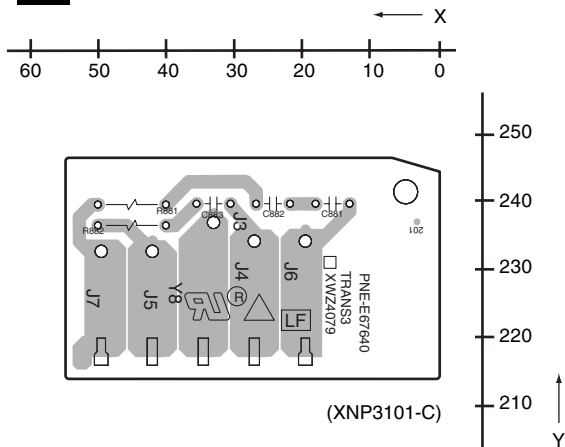
DEOV

DEOV

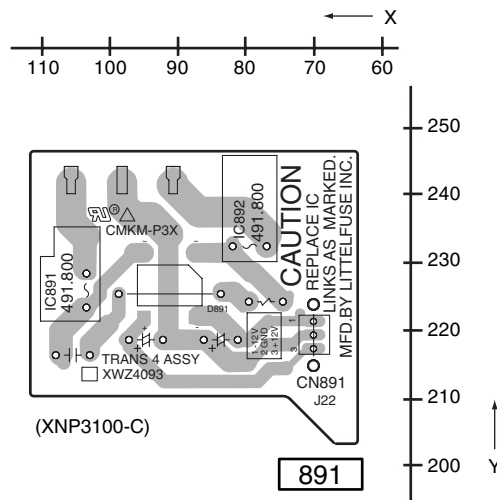
SIDE B

SIDE B

E TRANS3 ASSY

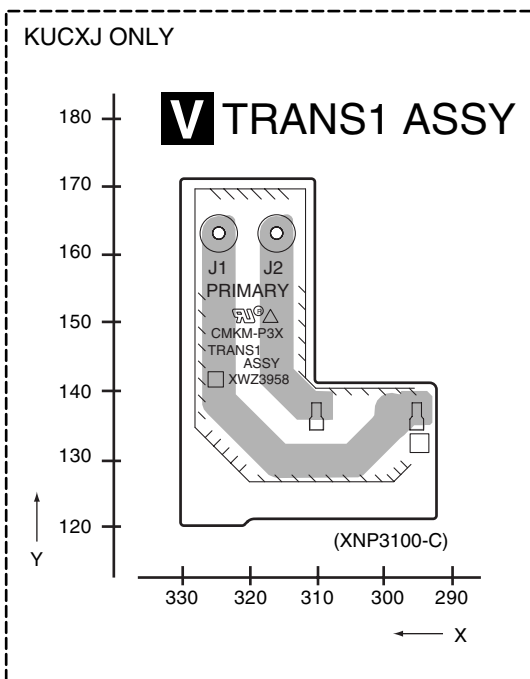


O TRANS4 ASSY

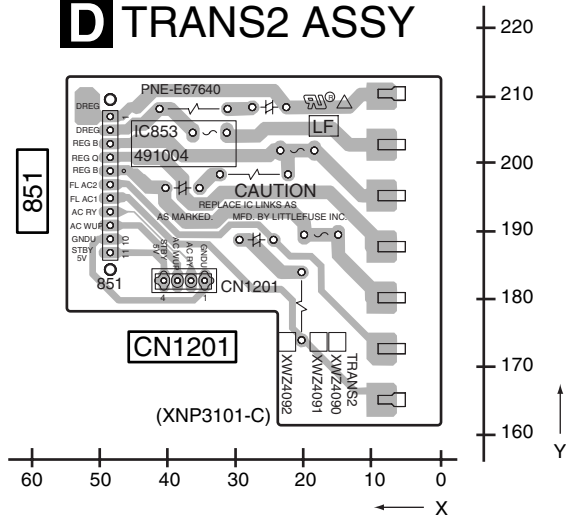


KUCXJ ONLY

V TRANS1 ASSY



D TRANS2 ASSY



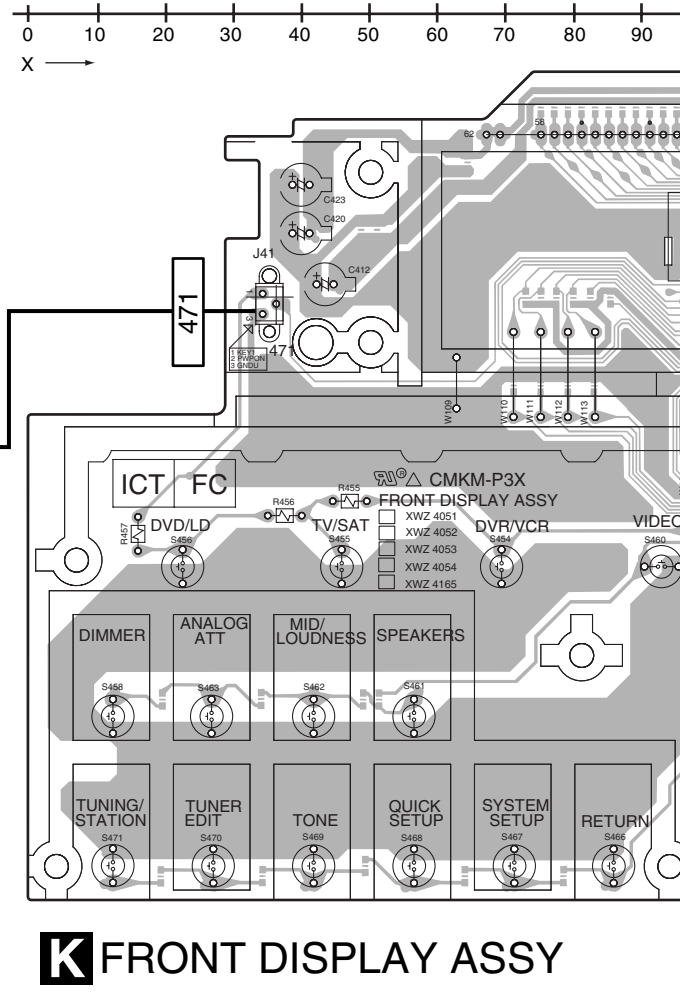
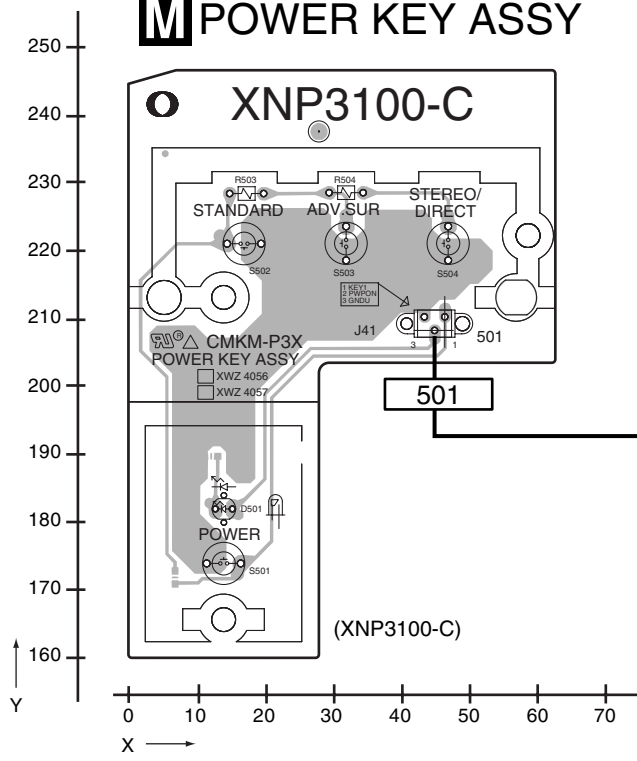
DEOV

DEOV

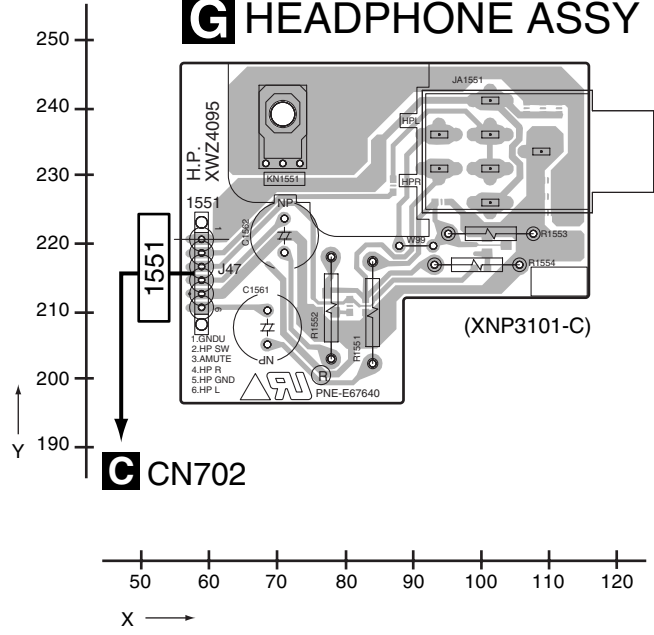
4.6 HEAD PHONE, FRONT DISPLY, R. ENCODER and POWER KEY ASSYS

SIDE A

M POWER KEY ASSY



G HEADPHONE ASSY



C CN702

G K M

SX-316-S

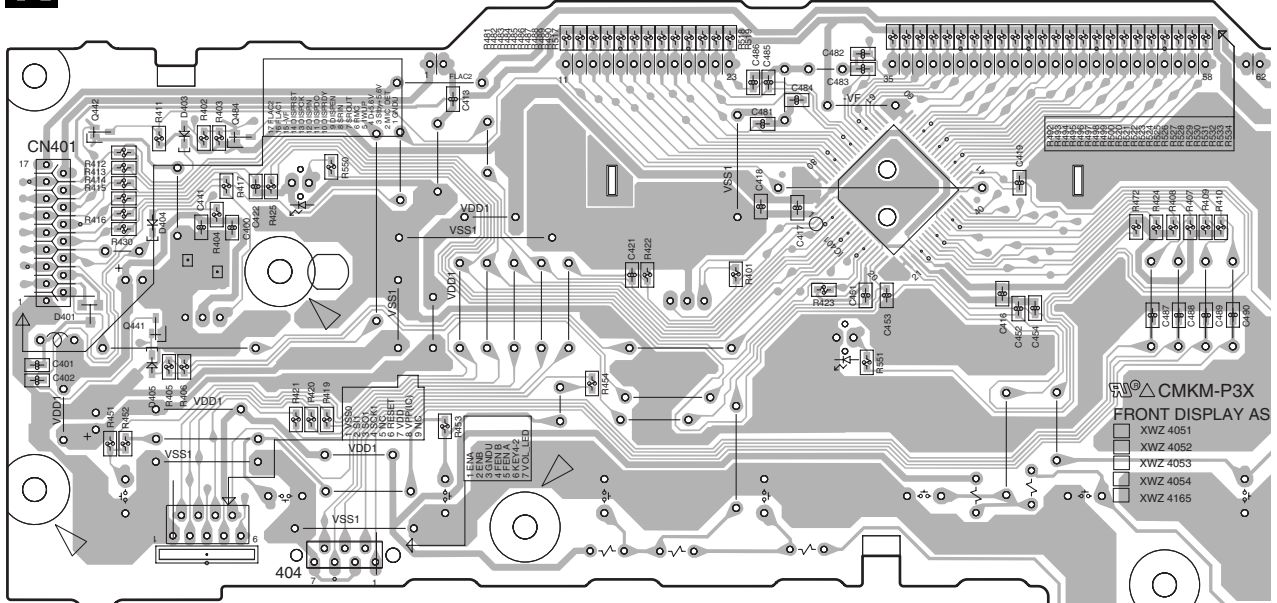
SIDE B

A

260 250 240 230 220 210 200 190 180 170 160 150 140 130 120 110 100 90 80 70

K FRONT DISPLAY ASSY

CN401



404

B

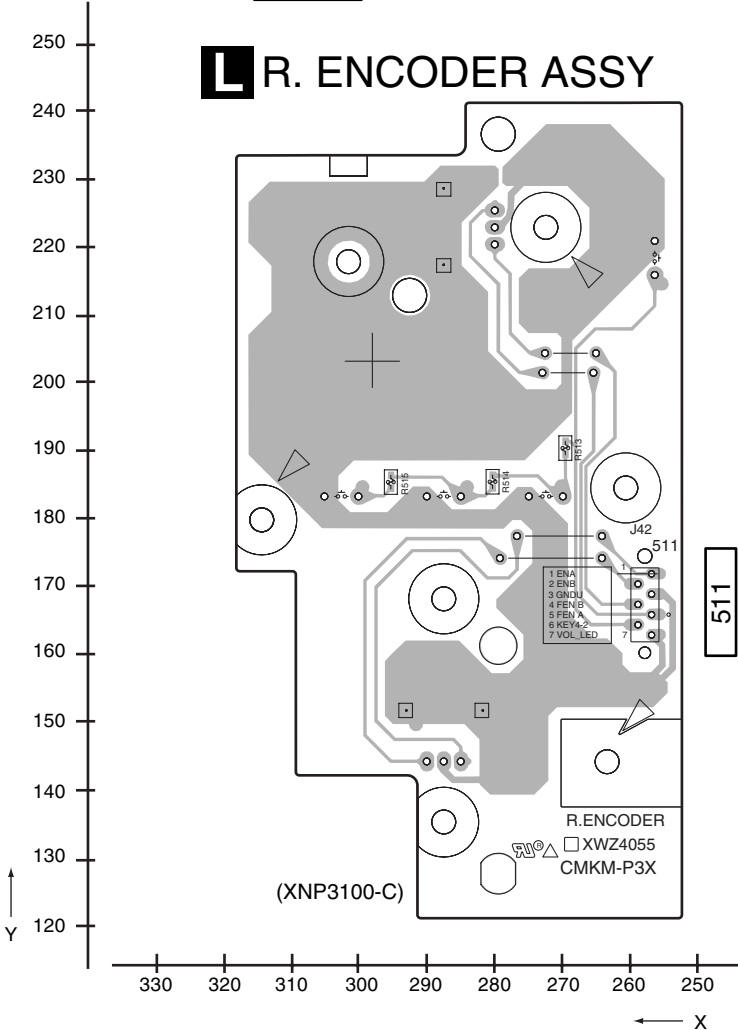
C

D

E

F

L R. ENCODER ASSY



511

(XNP3100-C)

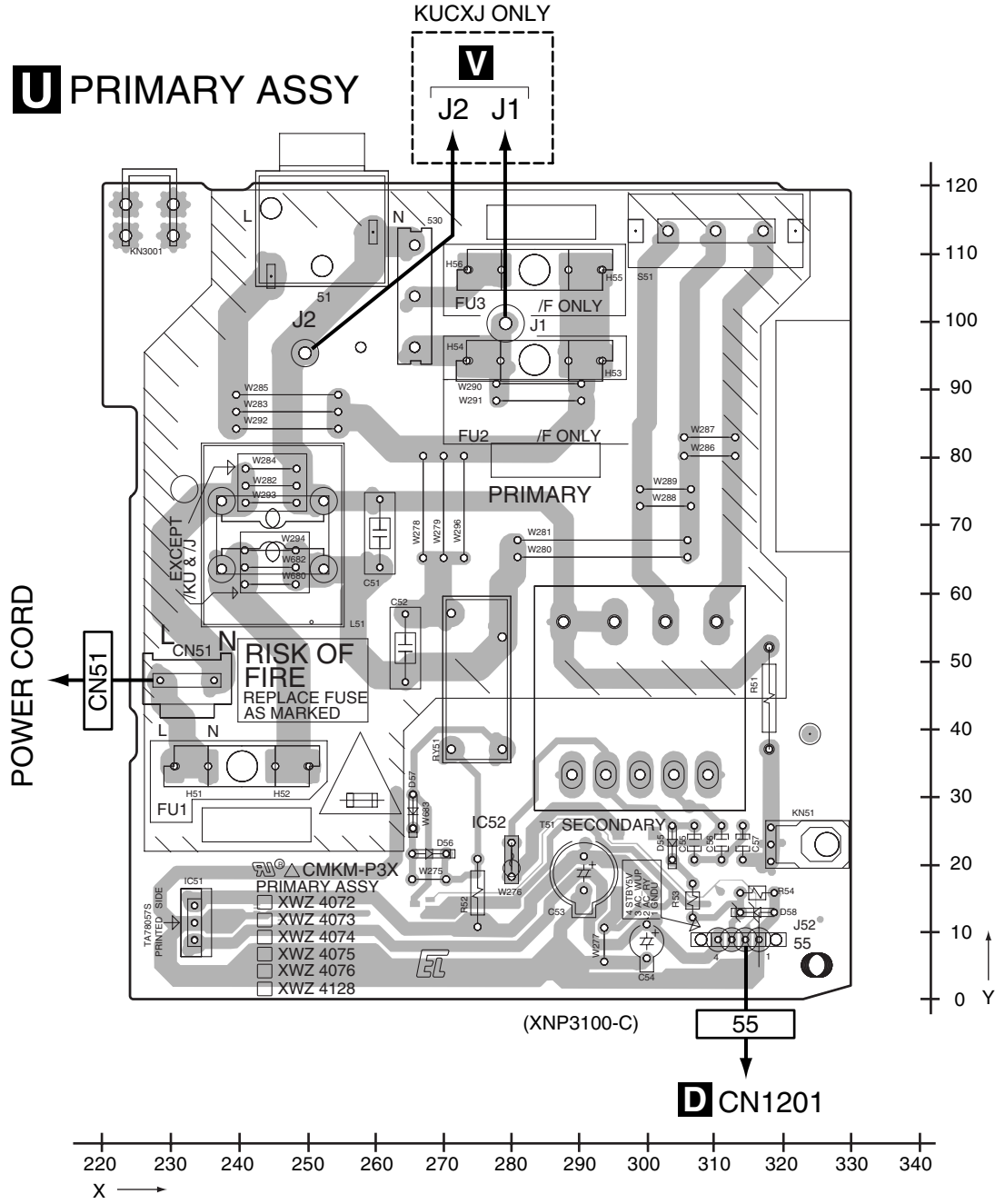
K L

4.7 PRIMARY ASSY

SIDE A

SIDE A

U PRIMARY ASSY



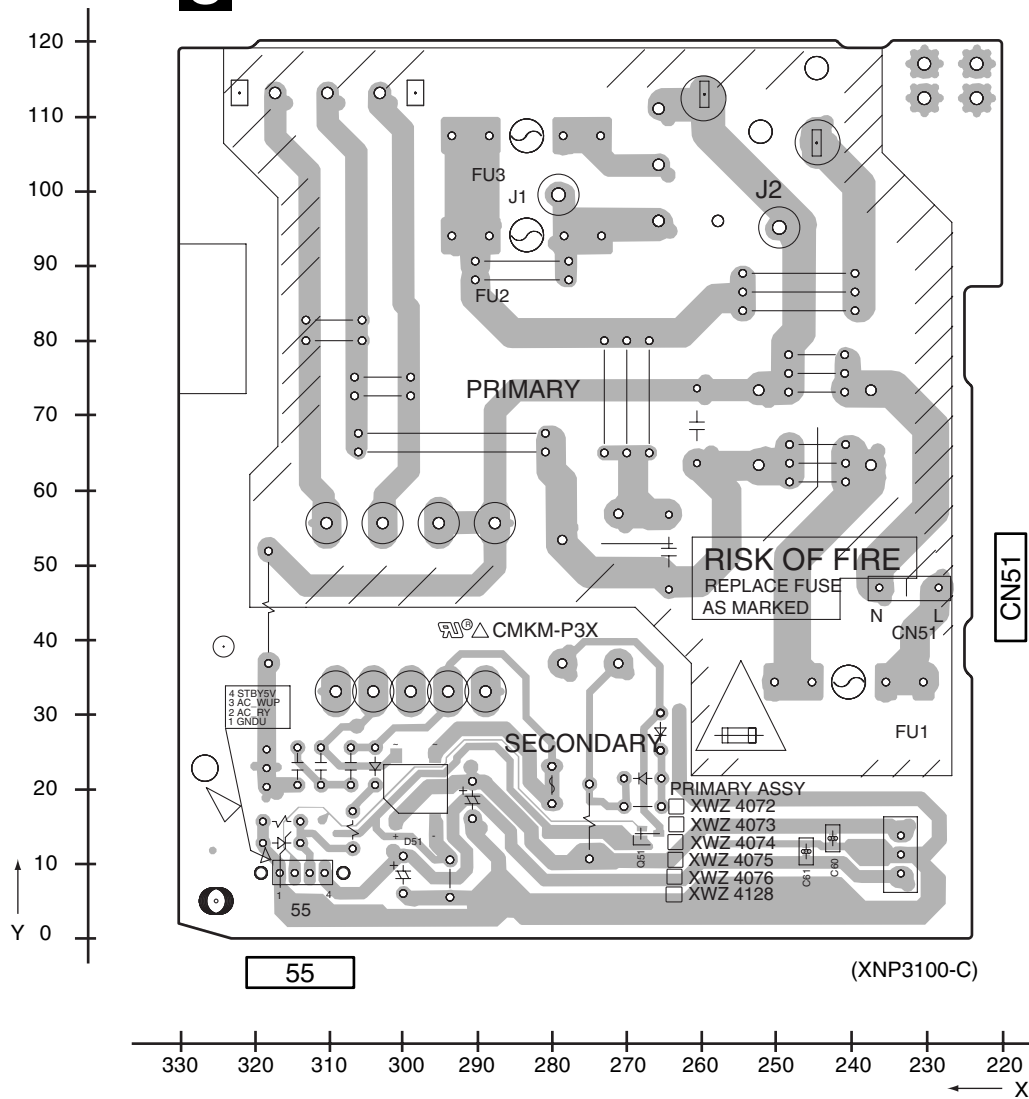
U

U

SIDE B

SIDE B

U PRIMARY ASSY



U

U

5. PCB PARTS LIST

NOTES: ● Parts marked by "NSP" are generally unavailable because they are not in our Master Spare Parts List.

● The Δ mark found on some component parts indicates the importance of the safety factor of the part. Therefore, when replacing, be sure to use parts of identical designation.

● When ordering resistors, first convert resistance values into code form as shown in the following examples.

Ex.1 When there are 2 effective digits (any digit apart from 0), such as 560 ohm and 47k ohm (tolerance is shown by J=5%, and K=10%).

560 Ω \rightarrow 56 x 10¹ \rightarrow 561 RD1/4PU567J
 47k Ω \rightarrow 47 x 10³ \rightarrow 473 RD1/4PU473J
 0.5 Ω \rightarrow R50 RN2H R50K
 1 Ω \rightarrow 1R0 RS1P 1R0K

Ex.2 When there are 3 effective digits (such as in high precision metal film resistors).

5.62k Ω \rightarrow 562 x 10¹ \rightarrow 5621 RN1/4PC5627F

● Meaning of the figures and others in the parentheses in the parts list.

Example IC 301 is on the point (face A, 91 of x-axis, and 111 of y-axis) of the corresponding PC board.

IC 301 (A, 91, 111) IC NJM2068V

LIST OF ASSEMBLIES

Mark	Symbol and Description	SX-316-S /KUCXJ	SX-316-S /MYXJ5
NSP	1..MAIN ASSY	XWK3227	XWK3244
	1..DSP ASSY	AWX8573	AWX8573
	1..AMP ASSY	XWK3217	XWK3241
	2..POWER PACK ASSY	XWZ4080	XWZ4117
	2..TRANS2 ASSY	XWZ4090	XWZ4092
	2..TRANS3 ASSY	XWZ4079	XWZ4079
	2..HEADPHONE ASSY	XWZ4095	XWZ4095
NSP	2..BINDER ASSY	XWZ4199	XWZ4199
	1..COMPLEX ASSY	XWK3207	XWK3237
	2..FRONT DISPLAY ASSY	XWZ4165	XWZ4165
	2..R. ENCODER ASSY	XWZ4055	XWZ4055
	2..POWER KEY ASSY	XWZ4056	XWZ4056
	2..DIGITAL IN ASSY	XWZ4066	XWZ4066
	2..FRONT INPUT ASSY	XWZ4124	XWZ4124
	2..PRIMARY ASSY	XWZ4128	XWZ4073
	2..REGULATOR ASSY	XWZ4077	XWZ4077
	2..TRANS1 ASSY	XWZ4078	Not used
2..TRANS4 ASSY	XWZ4093	XWZ4093	
	1..FM/AM TUNER UNIT	AXX7210	AXX7170

CONTRAST OF PCB ASSEMBLIES

D TRANS2 ASSY

XWZ4092 and XWZ4090 are constructed the same except for the following:

Mark	Symbol and Description	XWZ4090	XWZ4092
Δ	IC853 PROTECTOR(4A)	AEK7018	Not used
Δ	IC853 PROTECTOR(7A)	Not used	AEK7021

U PRIMARY ASSY

XWZ4073 and XWZ4128 are constructed the same except for the following:

Mark	Symbol and Description	XWZ4128	XWZ4073
	D57	Not used	1SS133
Δ	L51	Not used	XTF3004
Δ	T51 STANDBY TRANSFORMER	ATT7043	ATT7040
Δ	530 3P TERMINAL	Not used	AKC-081
Δ	R51 (2.2M, 1/2W)	RCN1080	Not used

	<u>Mark No.</u>	<u>Description</u>	<u>Part No.</u>	<u>Mark No.</u>	<u>Description</u>	<u>Part No.</u>
A	R 252	(B,199,75)	RS1/16S182J	R 483	(B,144,76)	RS1/16S104J
	R 253	(B,202,69)	RS1/16S0R0J	R 485	(A,157,80)	RS1/16S472J
	R 254	(B,202,75)	RS1/16S0R0J	R 488	(A,165,73)	RS1/16S0R0J
	R 257	(B,213,69)	RS1/16S101J	R 494	(A,141,83)	RS1/16S911J
	R 258	(B,213,75)	RS1/16S101J	R 496	(A,148,83)	RS1/16S272J
	R 261	(A,189,53)	RS1/16S473J	R 497	(A,139,69)	RS1/16S182J
	R 262	(A,189,59)	RS1/16S473J	R 498	(A,139,83)	RS1/16S152J
	R 263	(B,186,53)	RS1/16S332J	R 499	(B,133,72)	RS1/16S103J
	R 264	(B,186,60)	RS1/16S332J	R 500	(B,133,79)	RS1/16S104J
	R 265	(B,188,53)	RS1/16S332J	R 502	(B,144,80)	RS1/16S822J
B	R 266	(B,188,60)	RS1/16S682J	R 518	(B,150,83)	RS1/16S0R0J
	R 267	(B,190,53)	RS1/16S332J	R 550	(A,147,84)	RS1/16S472J
	R 268	(B,190,60)	RS1/16S393J	R 9002(A,129,89)		RS1/16S473J
	R 269	(B,197,53)	RS1/16S332J	R 9005(A,91,55)		RS1/16S0R0J
	R 270	(B,197,60)	RS1/16S122J	R 9006(B,103,89)		RS1/16S474J
	R 271	(B,199,53)	RS1/16S182J	R 9007(B,93,89)		RS1/16S474J
	R 272	(B,199,60)	RS1/16S272J	R 9008(A,86,90)		RS1/16S221J
	R 273	(B,202,53)	RS1/16S0R0J	R 9009(A,65,85)		RS1/16S473J
	R 274	(B,202,60)	RS1/16S271J	R 9010(B,115,45)		RS1/16S512J
	R 277	(B,214,53)	RS1/16S101J	R 9011(A,63,76)		RS1/16S102J
C	R 278	(B,213,61)	RS1/16S101J	R 9012(A,63,73)		RS1/16S0R0J
	R 280	(A,65,113)	RS1/16S0R0J	R 9013(B,112,45)		RS1/16S471J
	R 303	(B,156,37)	RS1/16S101J	R 9014(B,104,54)		RS1/16S471J
	R 304	(B,155,43)	RS1/16S101J	R 9015(B,101,54)		RS1/16S471J
	R 305	(B,160,49)	RS1/16S101J	R 9016(B,99,54)		RS1/16S471J
	R 306	(B,164,61)	RS1/16S101J	R 9017(B,97,54)		RS1/16S471J
	R 307	(B,165,68)	RS1/16S101J	R 9018(B,95,54)		RS1/16S471J
	R 308	(B,171,72)	RS1/16S101J	R 9019(B,98,76)		RS1/16S471J
	R 311	(A,258,102) METAL OXIDE RESISTOR	RS1LMF101J	R 9020(B,99,76)		RS1/16S471J
	R 312	(A,266,102) METAL OXIDE RESISTOR	RS1LMF101J	R 9021(B,101,76)		RS1/16S471J
	R 431	(A,131,93)	RS1/16S104J	R 9022(B,103,76)		RS1/16S471J
	R 432	(A,127,93)	RS1/16S104J	R 9025(B,101,68)		RS1/16S0R0J
	R 433	(A,128,93)	RS1/16S104J	R 9026(B,107,68)		RS1/16S0R0J
	R 434	(A,134,93)	RS1/16S104J	R 9030(A,68,79)		RS1/16S470J
	R 435	(A,126,93)	RS1/16S104J	R 9031(B,69,48)		RS1/16S104J
D	R 436	(A,130,93)	RS1/16S104J	R 9032(A,66,59)		RS1/16S104J
	R 438	(A,81,98)	RS1/16S104J	R 9033(B,89,48)		RS1/16S104J
	R 439	(A,86,96)	RS1/16S104J	R 9036(A,88,89)		RS1/16S221J
	R 440	(A,81,108)	RS1/16S754J	R 9037(A,124,99)		RS1/16S104J
	R 441	(A,79,98)	RS1/16S222J	R 9039(A,87,58)		RS1/16S104J
	R 442	(A,77,98)	RS1/16S104J	R 9041(B,117,45)		RS1/16S104J
	R 443	(A,63,104)	RS1/16S471J	R 9045(A,98,46)		RS1/16S471J
	R 445	(A,73,108)	RS1/16S223J	R 9046(A,107,45)		RS1/16S471J
	R 446	(A,74,113)	RS1/16S104J	R 9047(A,99,46)		RS1/16S103J
	R 447	(A,88,94)	RS1/16S472J	R 9048(A,98,43)		RS1/16S103J
E	R 448	(A,89,104)	RS1/16S104J	R 9060(B,98,68)		RS1/16S473J
	R 449	(A,80,108)	RS1/16S102J	R 9062(B,87,48)		RS1/16S471J
	R 457	(A,140,35)	RS1/16S182J	R 9064(A,54,74)		RS1/16S103J
	R 458	(A,140,46)	RS1/16S182J	R 9065(A,56,74)		RS1/16S103J
	R 459	(B,133,38)	RS1/16S103J	R 9066(A,62,72)		RS1/16S103J
	R 460	(B,133,43)	RS1/16S103J	R 9067(A,57,83)		RS1/16S103J
	R 461	(B,145,39)	RS1/16S104J	R 9081(A,120,72)		RS1/16S221J
	R 462	(B,145,43)	RS1/16S104J	R 9082(A,122,69)		RS1/16S274J
	R 464	(A,78,102)	RS1/16S0R0J			
	R 477	(A,149,52)	RS1/16S182J			
F	R 478	(A,150,65)	RS1/16S182J			
	R 479	(B,142,57)	RS1/16S103J			
	R 480	(B,142,62)	RS1/16S103J			
	R 481	(B,154,58)	RS1/16S104J			
	R 482	(B,154,62)	RS1/16S104J			
<u>CAPACITORS</u>						
				C 115	(B,262,98)	CKSRYB103K50
				C 116	(B,267,97)	CKSRYB103K50
				C 117	(A,287,109)	CCSRCH220J50
				C 118	(B,285,109)	CCSRCH220J50
				C 131	(A,280,87)	CEAT100M50

5		6		7		8	
Mark No.	Description	Part No.	Mark No.	Description	Part No.		
C 132	(A,280,80)	CEAT100M50	C 254	(A,58,108) ELECT. CAPACITOR	CEAT101M25		
C 135	(A,280,114)	CEAT100M50	C 255	(A,51,108) ELECT. CAPACITOR	CEANP470M25		
C 136	(A,280,106)	CEAT100M50	C 256	(A,81,105)	CKSRYP103K50		
C 137	(A,280,101)	CEAT100M50	C 257	(B,216,69)	CKSRYP472K50		A
C 138	(A,280,93)	CEAT100M50	C 258	(B,217,75)	CKSRYP472K50		
C 139	(A,53,95)	CEAT100M50	C 261	(A,183,54)	CEAT2R2M50		
C 140	(A,53,100)	CEAT100M50	C 262	(A,183,62)	CEAT2R2M50		
C 141	(A,256,82)	CKSRYP104K50	C 263	(A,192,53)	CCSRCH101J50		
C 145	(B,256,81)	CCSRCH101J50	C 264	(A,191,59)	CKSRYP223K50		
C 146	(B,258,81)	CCSRCH101J50	C 265	(A,194,53)	CCSRCH331J50		
C 147	(B,253,81)	CKSRYP103K50	C 266	(A,194,59)	CKSRYP103K50		
C 148	(B,238,67)	CKSRYP223K50	C 267	(B,193,53)	CCSRCH331J50		
C 149	(B,235,67)	CKSRYP223K50	C 268	(B,193,60)	CKSRYP562K50		
C 150	(B,231,67)	CKSRYP683K16	C 269	(A,205,54)	CEAT100M50		
C 151	(B,49,51)	CKSRYP103K50	C 270	(A,205,60)	CEAT100M50		B
C 152	(B,230,62)	CKSRYP223K50	C 271	(A,203,51)	CKSRYP103K50		
C 153	(B,234,62)	CKSRYP223K50	C 272	(A,210,64)	CKSRYP103K50		
C 154	(B,232,62)	CKSRYP683K16	C 277	(B,216,53)	CKSRYP472K50		
C 155	(A,226,62)	CEAT101M16	C 278	(B,215,61)	CKSRYP472K50		
C 156	(A,229,56)	CEAT101M16	C 321	(A,153,38)	CEAT100M50		
C 157	(A,236,56)	CEAT101M16	C 322	(A,153,45)	CEAT100M50		
C 158	(A,232,50)	CEAT101M16	C 325	(A,136,39) ELECT. CAPACITOR	CEAT220M50		
C 159	(A,241,50)	CEAT101M16	C 326	(A,136,46) ELECT. CAPACITOR	CEAT220M50		
C 160	(A,234,44)	CEAT101M16	C 327	(A,132,42)	CKSRYP103K50		
C 161	(A,241,44)	CEAT101M16	C 328	(A,132,38)	CKSRYP103K50		
C 162	(A,248,44)	CEAT101M16	C 333	(A,255,93)	CEAT101M10		
C 165	(A,240,86)	CEAT1R0M50	C 334	(A,268,81)	CEAT101M10		
C 166	(A,248,86)	CEAT1R0M50	C 341	(A,161,56)	CEAT100M50		
C 179	(B,294,76)	CKSRYP103K50	C 342	(A,161,63)	CEAT100M50		
C 180	(A,277,16)	CKSRYP103K50	C 345	(A,145,56) ELECT. CAPACITOR	CEAT220M50		
C 199	(A,281,50)	CKSRYP103K50	C 346	(A,145,63) ELECT. CAPACITOR	CEAT220M50		
C 201	(A,183,85)	CEAT2R2M50	C 347	(A,140,64)	CKSRYP103K50		
C 202	(A,184,92)	CEAT2R2M50	C 348	(A,141,58)	CKSRYP103K50		
C 203	(A,191,85)	CCSRCH471J50	C 361	(A,161,70)	CEAT100M50		
C 204	(A,191,90)	CCSRCH471J50	C 362	(A,169,70) ELECT. CAPACITOR	CEAT2R2M50		
C 205	(A,193,85)	CCSRCH331J50	C 364	(A,139,84)	CKSRYP472K50		D
C 206	(A,194,90)	CCSRCH331J50	C 365	(A,136,73) ELECT. CAPACITOR	CEAT220M50		
C 207	(B,193,85)	CCSRCH331J50	C 366	(A,136,80) ELECT. CAPACITOR	CEANP4R7M50		
C 208	(B,193,91)	CCSRCH331J50	C 367	(A,135,88)	CKSRYP103K50		
C 213	(A,223,84)	CEAT100M50	C 368	(A,147,75)	CKSRYP103K50		
C 214	(A,223,90)	CEAT100M50	C 370	(A,161,74)	CEAT1R0M50		
C 215	(B,233,84)	CKSRYP103K50	C 392	(B,91,95)	CKSRYP102K50		
C 216	(B,231,89)	CKSRYP103K50	C 1031	(A,286,57)	CCSRCH220J50		
C 217	(A,202,85)	CKSRYP103K50	C 1041	(B,287,55)	CCSRCH220J50		
C 218	(A,202,90)	CKSRYP103K50	C 5001	(B,233,10)	CKSRYP102K50		
C 219	(A,221,87)	CKSRYP104K16	C 5002	(B,235,10)	CKSRYP103K50		
C 220	(A,210,93)	CKSRYP104K16	C 5003	(B,237,10)	CKSRYP105K10		E
C 241	(A,183,70)	CEAT2R2M50	C 5025	(A,166,12)	CKSRYP102K50		
C 242	(A,183,77)	CEAT2R2M50	C 5026	(A,169,13)	CKSRYP102K50		
C 243	(A,192,69)	CCSRCH101J50	C 5027	(A,177,12)	CKSRYP102K50		
C 244	(A,192,74)	CCSRCH101J50	C 5028	(A,179,13)	CCSRCH220J50		
C 245	(A,194,69)	CCSRCH331J50	C 9004	(A,121,94)	CKSRYP103K50		
C 246	(A,194,74)	CCSRCH331J50	C 9005	(A,116,99)	CEJQ2R2M50		
C 247	(B,193,69)	CCSRCH331J50	C 9006	(A,122,88)	CKSRYP105K10		
C 248	(B,193,75)	CCSRCH331J50	C 9007	(A,79,92) ELECT. CAPACITOR	CEAT331M6R3		
C 249	(A,205,69)	CEAT100M50	C 9008	(B,77,90)	CKSRYP103K50		
C 250	(A,205,75)	CEAT100M50	C 9011	(B,95,89)	CKSRYP473K25		F
C 251	(A,204,65)	CKSRYP103K50	C 9014	(B,87,88)	CKSRYP473K25		
C 252	(A,211,78)	CKSRYP103K50	C 9015	(A,100,95)	CKSRYP102K50		
C 253	(B,43,89)	CKSRYP103K50	C 9018	(B,72,72)	CKSRYP104K50		

Mark No. Description**Part No.****Mark No. Description****Part No.**

C 9081(A,120,69)

CKSRYB103K50

CN101 (A,41,27) CONNECTOR
CN103 (A,230,17) 11P CONNECTORCKS3382
52044-1145**A** **A MAIN ASSY (XWK3244)****MISCELLANEOUS**IC 103 (A,198,72) OP-AMP IC HA17558AF
IC 104 (A,198,56) OP-AMP IC HA17558AF
IC 105 (A,198,87) OP-AMP IC HA17558AF
IC 107 (A,216,88) OP-AMP IC HA17558AF
IC 108 (B,255,64) 8CH E-VOL R2S15205FPIC 251 (A,85,102) OP-AMP IC HA17558AF
IC 310 (A,142,40) OP-AMP IC BA4560RF
IC 311 (A,152,59) OP-AMP IC BA4560RF
IC 312 (A,142,77) OP-AMP IC BA4560RF
IC 5001(A,69,19) RDS DECORDER IC LC72725MIC 9001(B,82,64) CPU PEG217A
IC 9002(A,103,44) EEPROM BR24L16FV-W
Q 252 (A,68,105) TRANSISTOR 2SD1858X
Q 253 (A,75,108) TRANSISTOR RT1N241M
Q 254 (A,72,98) DIGITAL TR(SC-70) RT1P241MQ 255 (A,75,98) TRANSISTOR RT1N241M
Q 256 (A,75,94) CHIP TRANSISTOR 2SD2704K
Q 257 (A,78,108) TRANSISTOR 2SA1576A
Q 361 (A,166,78) CHIP TRANSISTOR 2SD2704K
Q 9001(A,125,87) DIGITAL TR(SC-70) RT1N431MQ 9002(A,66,80) DIGITAL TR(SC-70) RT1P241M
Q 9003(A,65,75) DIGITAL TR(SC-70) RT1P241M
Q 9007(A,69,85) TRANSISTOR DTC143TK
Q 9064(A,59,80) DIGITAL TR(SC-70) RT1P241M
Q 9065(A,55,78) TRANSISTOR UMD2ND 103 (B,173,35) DIODE DAN217U
D 105 (B,163,37) DIODE DAN217U
D 107 (B,166,37) DIODE DAN217U
D 251 (A,83,96) DIODE DAN217U
D 253 (A,70,114) DIODE UDZS27(B)D 254 (A,90,104) DIODE UDZS5R1(B)
D 311 (B,259,93) DIODE 1SS355
D 312 (B,268,93) DIODE 1SS355
D 331 (B,260,87) DIODE UDZS6R8(B)
D 332 (B,263,87) DIODE UDZS6R8(B)D 9001(A,125,103) DIODE DAP202U
D 9002(A,119,103) DIODE DAP202U
D 9003(A,122,103) DIODE DAN202U
D 9006(B,99,89) DIODE DAN217U
D 9007(B,91,89) DIODE DAN217UD 9010(A,128,88) DIODE 1SS355
D 9011(A,60,75) DIODE DAN202U
D 9064(A,58,75) DIODE DAP202U
D 9065(A,63,80) DIODE DAP202U
D 9068(A,53,81) DIODE 1SS355L 101 (B,260,98) CHIP SOLID INDUCTOR QTL1013
L 102 (B,265,97) CHIP SOLID INDUCTOR QTL1013
L 5002(A,257,104) CHIP SOLID INDUCTOR QTL1013
L 9001(A,123,107) CHIP SOLID INDUCTOR ATL7002
L 9002(A,121,107) CHIP SOLID INDUCTOR ATL7002L 9003(A,106,98) RADIAL INDUCTOR LFCA2R2J
X 5001(A,67,27) CRYSTAL RESONATOR ASS7004
(4.332 MHz)
X 9001(A,96,53) CERAMIC RESONATOR XSS3004
(15.7 MHz)**RESISTORS**R 107 (B,283,87) RS1/16S331J
R 108 (B,293,81) RS1/16S331J
R 111 (B,283,115) RS1/16S222J
R 112 (B,283,106) RS1/16S222J
R 113 (B,283,101) RS1/16S331JR 114 (B,293,96) RS1/16S331J
R 145 (A,71,73) RS1/16S102J
R 146 (A,71,74) RS1/16S102J
R 147 (B,233,67) RS1/16S472J
R 148 (B,228,62) RS1/16S472JR 149 (A,259,45) RS1/16S104J
R 156 (B,295,107) RS1/16S0R0J
R 157 (B,293,114) RS1/16S0R0J
R 180 (B,278,97) RS1/16S0R0J
R 181 (B,272,78) RS1/16S0R0JR 201 (A,189,85) RS1/16S473J
R 202 (A,189,90) RS1/16S473J
R 203 (B,187,85) RS1/16S392J
R 204 (B,187,91) RS1/16S392J
R 205 (B,189,85) RS1/16S392JR 206 (B,189,91) RS1/16S392J
R 207 (B,191,85) RS1/16S392J
R 208 (B,191,91) RS1/16S392J
R 209 (B,198,85) RS1/16S392J
R 210 (B,198,91) RS1/16S392JR 211 (B,200,85) RS1/16S332J
R 212 (B,200,91) RS1/16S332J
R 213 (B,202,85) RS1/16S680J
R 214 (B,202,91) RS1/16S680J
R 219 (B,216,84) RS1/16S0R0JR 220 (B,215,91) RS1/16S0R0J
R 221 (B,220,84) RS1/16S472J
R 222 (B,219,91) RS1/16S472J
R 225 (B,225,84) RS1/16S392J
R 226 (B,225,91) RS1/16S392JR 227 (B,231,84) RS1/16S101J
R 228 (B,233,89) RS1/16S101J
R 233 (A,231,91) RS1/16S474J
R 234 (A,231,84) RS1/16S474J
R 241 (A,190,69) RS1/16S473JR 242 (A,190,74) RS1/16S473J
R 243 (B,186,69) RS1/16S332J
R 244 (B,186,75) RS1/16S332J
R 245 (B,188,69) RS1/16S332J
R 246 (B,188,75) RS1/16S332JR 247 (B,190,69) RS1/16S332J
R 248 (B,190,75) RS1/16S332J
R 249 (B,197,69) RS1/16S332J

5		6		7		8	
Mark No.	Description	Part No.	Mark No.	Description	Part No.		
R 250	(B,197,75)	RS1/16S332J	R 473	(A,151,53)	RS1/16S102J		
R 251	(B,199,69)	RS1/16S182J	R 474	(A,152,65)	RS1/16S102J		
R 252	(B,199,75)	RS1/16S182J	R 475	(A,157,52)	RS1/16S272J	A	
R 253	(B,202,69)	RS1/16S0R0J	R 476	(A,158,66)	RS1/16S272J		
R 254	(B,202,75)	RS1/16S0R0J	R 477	(A,149,52)	RS1/16S153J		
R 257	(B,213,69)	RS1/16S101J	R 478	(A,150,65)	RS1/16S153J		
R 258	(B,213,75)	RS1/16S101J	R 479	(B,142,57)	RS1/16S103J		
R 261	(A,189,53)	RS1/16S473J	R 480	(B,142,62)	RS1/16S103J		
R 262	(A,189,59)	RS1/16S473J	R 481	(B,154,58)	RS1/16S104J		
R 263	(B,186,53)	RS1/16S332J	R 482	(B,154,62)	RS1/16S104J		
R 264	(B,186,60)	RS1/16S332J	R 483	(B,144,76)	RS1/16S104J		
R 265	(B,188,53)	RS1/16S332J	R 484	(A,165,71)	RS1/16S104J		
R 266	(B,188,60)	RS1/16S682J	R 485	(A,157,80)	RS1/16S472J		
R 267	(B,190,53)	RS1/16S332J	R 488	(A,165,73)	RS1/16S0R0J	B	
R 268	(B,190,60)	RS1/16S393J	R 493	(A,141,71)	RS1/16S102J		
R 269	(B,197,53)	RS1/16S332J	R 494	(A,141,83)	RS1/16S911J		
R 270	(B,197,60)	RS1/16S122J	R 495	(A,147,71)	RS1/16S272J		
R 271	(B,199,53)	RS1/16S182J	R 496	(A,148,83)	RS1/16S272J		
R 272	(B,199,60)	RS1/16S272J	R 497	(A,139,69)	RS1/16S153J		
R 273	(B,202,53)	RS1/16S0R0J	R 498	(A,139,83)	RS1/16S153J		
R 274	(B,202,60)	RS1/16S271J	R 499	(B,133,72)	RS1/16S103J		
R 277	(B,214,53)	RS1/16S101J	R 500	(B,133,79)	RS1/16S104J		
R 278	(B,213,61)	RS1/16S101J	R 502	(B,144,80)	RS1/16S204J		
R 280	(A,65,113)	RS1/16S0R0J	R 518	(B,150,83)	RS1/16S0R0J		
R 303	(B,156,37)	RS1/16S101J	R 5005	(B,80,13)	RS1/16S0R0J	C	
R 304	(B,155,43)	RS1/16S101J	R 5010	(A,76,24)	RS1/16S473J		
R 305	(B,160,49)	RS1/16S101J	R 5011	(A,81,15)	RS1/16S473J		
R 306	(B,164,61)	RS1/16S101J	R 5012	(A,82,12)	RS1/16S102J		
R 307	(B,165,68)	RS1/16S101J	R 5013	(A,57,26)	RS1/16S102J		
R 308	(B,171,72)	RS1/16S101J	R 5016	(B,82,13)	RS1/16S0R0J		
R 311	(A,258,102) METAL OXIDE RESISTOR	RS1LMF101J	R 5020	(A,73,13)	RS1/16S0R0J		
R 312	(A,266,102) METAL OXIDE RESISTOR	RS1LMF101J	R 9002	(A,129,89)	RS1/16S473J		
R 431	(A,131,93)	RS1/16S104J	R 9005	(A,91,55)	RS1/16S0R0J		
R 432	(A,127,93)	RS1/16S104J	R 9006	(B,103,89)	RS1/16S474J		
R 433	(A,128,93)	RS1/16S104J	R 9007	(B,93,89)	RS1/16S474J		
R 434	(A,134,93)	RS1/16S104J	R 9008	(A,86,90)	RS1/16S221J	D	
R 435	(A,126,93)	RS1/16S104J	R 9009	(A,65,85)	RS1/16S473J		
R 436	(A,130,93)	RS1/16S104J	R 9010	(B,115,45)	RS1/16S512J		
R 438	(A,81,98)	RS1/16S104J	R 9011	(A,63,76)	RS1/16S102J		
R 439	(A,86,96)	RS1/16S104J	R 9012	(A,63,73)	RS1/16S0R0J		
R 440	(A,81,108)	RS1/16S754J	R 9013	(B,112,45)	RS1/16S471J		
R 441	(A,79,98)	RS1/16S222J	R 9014	(B,104,54)	RS1/16S471J		
R 442	(A,77,98)	RS1/16S104J	R 9015	(B,101,54)	RS1/16S471J		
R 443	(A,63,104)	RS1/16S471J	R 9016	(B,99,54)	RS1/16S471J		
R 445	(A,73,108)	RS1/16S223J	R 9017	(B,97,54)	RS1/16S471J		
R 446	(A,74,233)	RS1/16S104J	R 9018	(B,95,54)	RS1/16S471J		
R 447	(A,88,94)	RS1/16S472J	R 9019	(B,98,76)	RS1/16S471J	E	
R 448	(A,89,104)	RS1/16S104J	R 9020	(B,99,76)	RS1/16S471J		
R 449	(A,80,108)	RS1/16S102J	R 9021	(B,101,76)	RS1/16S471J		
R 453	(A,146,35)	RS1/16S102J	R 9022	(B,103,76)	RS1/16S471J		
R 454	(A,142,46)	RS1/16S102J	R 9024	(B,105,68)	RS1/16S472J		
R 455	(A,146,38)	RS1/16S272J	R 9025	(B,101,68)	RS1/16S0R0J		
R 456	(A,147,43)	RS1/16S272J	R 9026	(B,107,68)	RS1/16S751J		
R 457	(A,140,35)	RS1/16S153J	R 9030	(A,68,79)	RS1/16S470J		
R 458	(A,140,46)	RS1/16S153J	R 9031	(B,69,48)	RS1/16S104J		
R 459	(B,133,38)	RS1/16S103J	R 9032	(A,66,59)	RS1/16S104J		
R 460	(B,133,43)	RS1/16S103J	R 9033	(B,89,48)	RS1/16S104J		
R 461	(B,145,39)	RS1/16S104J	R 9036	(A,88,89)	RS1/16S221J		
R 462	(B,145,43)	RS1/16S104J	R 9037	(A,124,99)	RS1/16S104J		
R 464	(A,78,102)	RS1/16S0R0J	R 9039	(A,87,58)	RS1/16S104J		

Mark No.	Description	Part No.	Mark No.	Description	Part No.
R 9041(B,117,45)		RS1/16S104J			
R 9045(A,98,46)		RS1/16S471J	C 214 (A,223,90)		CEAT100M50
A	R 9046(A,107,45)	RS1/16S471J	C 215 (B,233,84)		CKSRYB103K50
	R 9047(A,99,46)	RS1/16S103J	C 216 (B,231,89)		CKSRYB103K50
	R 9048(A,98,43)	RS1/16S103J	C 217 (A,202,85)		CKSRYB103K50
	R 9060(B,98,68)	RS1/16S473J	C 218 (A,202,90)		CKSRYB103K50
	R 9062(B,87,48)	RS1/16S471J	C 219 (A,221,87)		CKSRYB104K16
R	9064(A,54,74)	RS1/16S103J	C 220 (A,210,93)		CKSRYB104K16
	9065(A,56,74)	RS1/16S103J	C 241 (A,183,70)		CEAT2R2M50
	9066(A,62,72)	RS1/16S103J	C 242 (A,183,77)		CEAT2R2M50
	9067(A,57,83)	RS1/16S103J	C 243 (A,192,69)		CCSRCH101J50
	9081(A,120,72)	RS1/16S221J	C 244 (A,192,74)		CCSRCH101J50
B	9082(A,122,69)	RS1/16S274J	C 245 (A,194,69)		CCSRCH331J50
			C 246 (A,194,74)		CCSRCH331J50
			C 247 (B,193,69)		CCSRCH331J50
			C 248 (B,193,75)		CCSRCH331J50
			C 249 (A,205,69)		CEAT100M50
CAPACITORS					
C 115 (B,262,98)		CKSRYB103K50	C 250 (A,205,75)		CEAT100M50
C 116 (B,267,97)		CKSRYB103K50	C 251 (A,204,65)		CKSRYB103K50
C 117 (A,287,109)		CCSRCH220J50	C 252 (A,211,78)		CKSRYB103K50
C 118 (B,285,109)		CCSRCH220J50	C 253 (B,43,89)		CKSRYB103K50
C 131 (A,280,87)		CEAT100M50	C 254 (A,58,108) ELECT. CAPACITOR		CEAT101M25
C 132 (A,280,80)		CEAT100M50	C 255 (A,51,108) ELECT. CAPACITOR		CEANP470M25
C 135 (A,280,114)		CEAT100M50	C 256 (A,81,105)		CKSRYB103K50
C 136 (A,280,106)		CEAT100M50	C 257 (B,216,69)		CKSRYB472K50
C 137 (A,280,101)		CEAT100M50	C 258 (B,217,75)		CKSRYB472K50
C 138 (A,280,93)		CEAT100M50	C 261 (A,183,54)		CEAT2R2M50
C 139 (A,53,95)		CEAT100M50	C 262 (A,183,62)		CEAT2R2M50
C 140 (A,53,100)		CEAT100M50	C 263 (A,192,53)		CCSRCH101J50
C 141 (A,256,82)		CKSRYB104K50	C 264 (A,191,59)		CKSRYB223K50
C 145 (B,256,81)		CCSRCH101J50	C 265 (A,194,53)		CCSRCH331J50
C 146 (B,258,81)		CCSRCH101J50	C 266 (A,194,59)		CKSRYB103K50
C 147 (B,253,81)		CKSRYB103K50	C 267 (B,193,53)		CCSRCH331J50
C 148 (B,238,67)		CKSRYB223K50	C 268 (B,193,60)		CKSRYB562K50
C 149 (B,235,67)		CKSRYB223K50	C 269 (A,205,54)		CEAT100M50
C 150 (B,231,67)		CKSRYB683K16	C 270 (A,205,60)		CEAT100M50
C 151 (B,49,51)		CKSRYB103K50	C 271 (A,203,51)		CKSRYB103K50
C 152 (B,230,62)		CKSRYB223K50	C 272 (A,210,64)		CKSRYB103K50
C 153 (B,234,62)		CKSRYB223K50	C 277 (B,216,53)		CKSRYB472K50
C 154 (B,232,62)		CKSRYB683K16	C 278 (B,215,61)		CKSRYB472K50
C 155 (A,226,62)		CEAT101M16	C 321 (A,153,38)		CEAT100M50
C 156 (A,229,56)		CEAT101M16	C 322 (A,153,45)		CEAT100M50
C 157 (A,236,56)		CEAT101M16	C 323 (A,145,35)		CCSRCH101J50
C 158 (A,232,50)		CEAT101M16	C 324 (A,140,47)		CCSRCH101J50
C 159 (A,241,50)		CEAT101M16	C 325 (A,136,39) ELECT. CAPACITOR		CEAT220M50
C 160 (A,234,44)		CEAT101M16	C 326 (A,136,46) ELECT. CAPACITOR		CEAT220M50
C 161 (A,241,44)		CEAT101M16	C 327 (A,132,42)		CKSRYB103K50
C 162 (A,248,44)		CEAT101M16	C 328 (A,132,38)		CKSRYB103K50
C 165 (A,240,86)		CEAT1R0M50	C 333 (A,255,93)		CEAT101M10
C 166 (A,248,86)		CEAT1R0M50	C 334 (A,268,81)		CEAT101M10
C 179 (B,294,76)		CKSRYB103K50	C 341 (A,161,56)		CEAT100M50
C 180 (A,277,16)		CKSRYB103K50	C 342 (A,161,63)		CEAT100M50
C 199 (A,281,50)		CKSRYB103K50	C 343 (A,149,51)		CCSRCH101J50
C 201 (A,183,85)		CEAT2R2M50	C 344 (A,150,66)		CCSRCH101J50
C 202 (A,184,92)		CEAT2R2M50	C 345 (A,145,56) ELECT. CAPACITOR		CEAT220M50
C 203 (A,191,85)		CCSRCH471J50	C 346 (A,145,63) ELECT. CAPACITOR		CEAT220M50
C 204 (A,191,90)		CCSRCH471J50	C 347 (A,140,64)		CKSRYB103K50
C 205 (A,193,85)		CCSRCH331J50	C 348 (A,141,58)		CKSRYB103K50
C 206 (A,194,90)		CCSRCH331J50	C 361 (A,161,70)		CEAT100M50
C 207 (B,193,85)		CCSRCH331J50	C 362 (A,169,70)		CEAT100M50
C 208 (B,193,91)		CCSRCH331J50	C 363 (A,139,68)		CCSRCH101J50
C 213 (A,223,84)		CEAT100M50			

5	6	7	8
Mark No.	Description	Part No.	Part No.
C 364 (A,139,84)		CKSRYP472K50	QTL1013
C 365 (A,136,73) ELECT. CAPACITOR		CEAT220M50	ATL7002
C 366 (A,136,80) ELECT. CAPACITOR		CEANP4R7M50	ATL7002
C 367 (A,135,88)		CKSRYP103K50	QTL1013
C 368 (A,147,75)		CKSRYP103K50	
C 370 (A,161,74)		CEAT4R7M50	QTL1013
C 392 (B,91,95)		CKSRYP102K50	ATL7002
C 1031(A,286,57)		CCSRCH220J50	ATL7002
C 1041(B,287,55)		CCSRCH220J50	QTL1013
C 5001(B,233,10)		CKSRYP102K50	AKB7131
C 5002(B,235,10)		CKSRYP103K50	
C 5003(B,237,10)		CKSRYP105K10	
C 5011(A,77,16)		CEJQ100M50	
C 5013(A,54,17)		CCSRCH270J50	
C 5014(A,54,18)		CCSRCH270J50	
C 5015(A,59,20)		CEJQ470M16	
C 5016(A,54,15)		CKSRYP103K50	
C 5017(A,73,14)		CCSRCH561J50	
C 5020(A,69,13)		CKSRYP472K50	
C 5025(A,166,12)		CKSRYP102K50	
C 5026(A,169,13)		CKSRYP102K50	
C 5027(A,177,12)		CKSRYP102K50	
C 5028(A,179,13)		CCSRCH220J50	
C 9004(A,121,94)		CKSRYP103K50	
C 9005(A,116,99)		CEJQ2R2M50	
C 9006(A,122,88)		CKSRYP105K10	
C 9007(A,79,92) ELECT. CAPACITOR		CEAT331M6R3	
C 9008(B,77,90)		CKSRYP103K50	
C 9011(B,95,89)		CKSRYP473K25	
C 9014(B,87,88)		CKSRYP473K25	
C 9015(A,100,95)		CKSRYP102K50	
C 9018(B,72,72)		CKSRYP104K50	
C 9081(A,120,69)		CKSRYP103K50	
B DSP ASSY			
MISCELLANEOUS			
IC 501 (B,118,52) IC		TC74HCU04AF	
IC 601 (A,107,50) DA I/F TRANSCEIVER		AK4114VQ	
IC 701 (A,75,43) CODEC IC		AK4628AVQ	
IC 801 (A,42,53) DSP IC		DSPC56371AF180	
IC 802 (A,44,38) IC		TC7WU04FU	
IC 871 (B,63,53) IC		TC7WH125FU	
△ IC 901 (B,120,30) IC		NJM2391DL1-33	
△ IC 902 (B,94,36) REGULATOR IC		LM1117DT-ADJ	
IC 952 (B,19,48) OCTAL BUS BUFFER IC		TC74VHCT244AFTS1	
D 701 (A,79,33) DIODE		DAP202K	
D 702 (B,80,32) DIODE		DAN202K	
D 901 (B,116,38) DIODE		UDZS5R6(B)	
D 902 (B,102,33) DIODE		UDZS5R6(B)	
L 501 (B,127,29) CHIP SOLID INDUCTOR		QTL1013	
L 502 (B,130,40) CHIP SOLID INDUCTOR		QTL1013	
L 503 (A,122,62) CHIP SOLID INDUCTOR		QTL1013	
L 601 (B,103,62) CHIP SOLID INDUCTOR		QTL1013	
L 602 (A,98,49) CHIP SOLID INDUCTOR		QTL1013	
L 605 (A,117,43) CHIP SOLID INDUCTOR		QTL1013	
L 701 (B,66,43) CHIP SOLID INDUCTOR		QTL1013	
L 702 (A,94,38) CHIP SOLID INDUCTOR		QTL1013	
L 801 (A,47,38) CHIP SOLID INDUCTOR		L 801 (A,47,38) CHIP SOLID INDUCTOR	QTL1013
L 802 (A,50,42) CHIP SOLID INDUCTOR		L 802 (A,50,42) CHIP SOLID INDUCTOR	ATL7002
L 803 (A,58,52) CHIP SOLID INDUCTOR		L 803 (A,58,52) CHIP SOLID INDUCTOR	ATL7002
L 804 (B,35,48) CHIP SOLID INDUCTOR		L 804 (B,35,48) CHIP SOLID INDUCTOR	QTL1013
L 871 (B,68,56) CHIP SOLID INDUCTOR		L 871 (B,68,56) CHIP SOLID INDUCTOR	QTL1013
L 901 (B,105,32) CHIP SOLID INDUCTOR		L 901 (B,105,32) CHIP SOLID INDUCTOR	ATL7002
L 902 (B,100,33) CHIP SOLID INDUCTOR		L 902 (B,100,33) CHIP SOLID INDUCTOR	ATL7002
L 952 (B,25,56) CHIP SOLID INDUCTOR		L 952 (B,25,56) CHIP SOLID INDUCTOR	QTL1013
JA 501 (A,140,35) JACK		JA 501 (A,140,35) JACK	AKB7131
X 601 (A,106,39) CRYSTAL RESONATOR (12.288MHz)		X 601 (A,106,39) CRYSTAL RESONATOR (12.288MHz)	ASS7046
X 801 (A,36,36) CRYSTAL RESONATOR (20 MHz)		X 801 (A,36,36) CRYSTAL RESONATOR (20 MHz)	VSS1171
CN601 (A,100,63) 10P CONNECTOR		CN601 (A,100,63) 10P CONNECTOR	VKN1414
CN701 (A,81,28) 19P SOCKET		CN701 (A,81,28) 19P SOCKET	XKP3080
CN902 (A,114,28) 13P SOCKET		CN902 (A,114,28) 13P SOCKET	XKP3077
CN952 (A,43,28) 15P SOCKET		CN952 (A,43,28) 15P SOCKET	XKP3078
RESISTORS			
R 501 (B,129,29)		R 501 (B,129,29)	RS1/16S750J
R 502 (B,127,42)		R 502 (B,127,42)	RS1/16S750J
R 503 (B,123,42)		R 503 (B,123,42)	RS1/16S473J
R 504 (A,117,62)		R 504 (A,117,62)	RS1/16S473J
R 505 (A,115,62)		R 505 (A,115,62)	RS1/16S0R0J
R 506 (B,123,38)		R 506 (B,123,38)	RS1/16S222J
R 507 (A,118,62)		R 507 (A,118,62)	RS1/16S222J
R 508 (B,121,42)		R 508 (B,121,42)	RS1/16S101J
R 509 (B,117,62)		R 509 (B,117,62)	RS1/16S101J
R 512 (B,121,62)		R 512 (B,121,62)	RS1/16S101J
R 513 (B,123,62)		R 513 (B,123,62)	RS1/16S101J
R 551 (B,63,60)		R 551 (B,63,60)	RS1/16S104J
R 552 (B,65,60)		R 552 (B,65,60)	RS1/16S104J
R 553 (B,67,60)		R 553 (B,67,60)	RS1/16S104J
R 554 (B,69,60)		R 554 (B,69,60)	RS1/16S104J
R 555 (B,71,60)		R 555 (B,71,60)	RS1/16S104J
R 556 (B,75,60)		R 556 (B,75,60)	RS1/16S104J
R 557 (B,77,60)		R 557 (B,77,60)	RS1/16S104J
R 558 (B,79,60)		R 558 (B,79,60)	RS1/16S104J
R 559 (B,81,62)		R 559 (B,81,62)	RS1/16S104J
R 560 (B,83,62)		R 560 (B,83,62)	RS1/16S104J
R 561 (B,85,62)		R 561 (B,85,62)	RS1/16S104J
R 572 (A,90,54)		R 572 (A,90,54)	RS1/16S0R0J
R 573 (B,90,54)		R 573 (B,90,54)	RS1/16S0R0J
R 574 (B,76,56)		R 574 (B,76,56)	RS1/16S0R0J
R 575 (B,74,56)		R 575 (B,74,56)	RS1/16S0R0J
R 577 (B,93,61)		R 577 (B,93,61)	RS1/16S104J
R 579 (A,96,58)		R 579 (A,96,58)	RS1/16S0R0J
R 601 (A,110,57)		R 601 (A,110,57)	RS1/16S0R0J
R 602 (A,109,57)		R 602 (A,109,57)	RS1/16S0R0J
R 603 (A,107,57)		R 603 (A,107,57)	RS1/16S0R0J
R 604 (B,111,63)		R 604 (B,111,63)	RS1/16S104J
R 605 (B,109,63)		R 605 (B,109,63)	RS1/16S104J
R 606 (B,107,63)		R 606 (B,107,63)	RS1/16S104J
R 607 (A,106,57)		R 607 (A,106,57)	RS1/16S0R0J
R 609 (A,99,57)		R 609 (A,99,57)	RS1/16S0R0J
R 610 (B,101,62)		R 610 (B,101,62)	RS1/16S0R0J
R 612 (A,96,47)		R 612 (A,96,47)	RS1/16S0R0J
R 613 (A,99,52)		R 613 (A,99,52)	RS1/16S101J
R 614 (A,97,58)		R 614 (A,97,58)	RS1/16S101J
R 615 (A,99,47)		R 615 (A,99,47)	RS1/16S470J

	<u>Mark No.</u>	<u>Description</u>	<u>Part No.</u>	<u>Mark No.</u>	<u>Description</u>	<u>Part No.</u>
	R 616	(A,99,46)	RS1/16S101J	R 873	(B,60,56)	RS1/16S470J
	R 617	(A,99,44)	RS1/16S101J	R 874	(B,58,56)	RS1/16S470J
	R 618	(A,99,43)	RS1/16S101J	R 904	(B,113,31)	RS1/16S104J
A	R 620	(A,99,41)	RS1/16S470J	R 905	(B,111,33)	RS1/16S104J
	R 622	(A,111,42)	RS1/16S0R0J	R 906	(B,107,31)	RS1/16S104J
	R 623	(A,114,42)	RS1/16S0R0J	R 908	(A,121,27)	RS1/16S0R0J
	R 624	(A,114,43)	RS1/16S101J	R 913	(A,85,30)	RS1/16S0R0J
	R 625	(A,114,44)	RS1/16S101J	R 915	(B,89,37)	RS1/16S102J
	R 626	(A,114,46)	RS1/16S101J	R 951	(A,26,49)	RS1/16S101J
	R 627	(A,113,40)	RS1/16S103J	R 952	(A,25,49)	RS1/16S101J
	R 628	(A,115,51)	RS1/16S1802F	R 953	(A,22,49)	RS1/16S101J
	R 629	(A,115,53)	RS1/16S0R0J	R 954	(B,22,39)	RS1/16S331J
	R 630	(A,115,57)	RS1/16S0R0J	R 955	(B,20,39)	RS1/16S331J
B	R 701	(B,76,49)	RS1/16S470J	R 956	(B,18,39)	RS1/16S331J
	R 702	(B,72,49)	RS1/16S101J	R 957	(B,16,39)	RS1/16S331J
	R 703	(B,62,40)	RS1/16S0R0J	R 958	(A,17,44)	RS1/16S331J
	R 704	(B,68,41)	RS1/16S4R7J	R 959	(A,18,44)	RS1/16S331J
	R 705	(A,58,32)	RS1/16S101J	R 960	(A,19,45)	RS1/16S331J
	R 706	(A,61,32)	RS1/16S101J	R 961	(A,21,45)	RS1/16S331J
	R 707	(A,63,32)	RS1/16S101J	R 962	(A,20,31) RESISTOR ARRAY	RAB4C104J
	R 708	(A,66,32)	RS1/16S101J	R 967	(A,29,32)	RS1/16S104J
	R 709	(A,68,32)	RS1/16S101J	R 968	(A,31,32)	RS1/16S104J
	R 710	(A,71,32)	RS1/16S101J	R 969	(A,33,32)	RS1/16S104J
	R 711	(A,73,32)	RS1/16S101J	R 970	(A,37,32) RESISTOR ARRAY	RAB4C104J
C	R 712	(A,76,32)	RS1/16S101J	R 974	(A,42,32)	RS1/16S0R0J
	R 713	(A,84,44)	RS1/16S470J	R 975	(A,15,52)	RS1/16S101J
	R 714	(A,84,49)	RS1/16S101J	R 976	(A,16,52)	RS1/16S101J
	R 715	(A,85,50)	RS1/16S101J	R 983	(B,15,32)	RS1/16S0R0J
	R 716	(A,82,51)	RS1/16S101J			
	R 801	(A,54,63)	RS1/16S470J	CAPACITORS		
	R 802	(A,45,64)	RAB4C101J	C 503	(B,125,29)	CKSRYB103K50
	R 803	(B,50,62)	RS1/16S103J	C 504	(B,125,42)	CKSRYB103K50
	R 804	(B,48,62)	RS1/16S103J	C 505	(B,125,38)	CCSRCH470J50
	R 805	(B,46,62)	RS1/16S103J	C 506	(A,121,62)	CCSRCH470J50
	R 806	(B,44,62)	RS1/16S103J	C 511	(B,125,52)	CCSRCH471J50
D	R 807	(B,42,56)	RS1/16S473J	C 512	(B,127,52)	CKSRYB105K6R3
	R 808	(B,35,56)	RS1/16S472J	C 513	(A,121,56)	CEVW101M16
	R 809	(B,40,56)	RS1/16S472J	C 605	(A,99,55)	CCSRCH471J50
	R 810	(A,31,52)	RS1/16S473J	C 606	(A,100,55)	CKSRYB104K16
	R 811	(B,30,51)	RS1/16S472J	C 607	(A,94,53)	CEVW470M6R3
	R 812	(B,32,51)	RS1/16S101J	C 608	(A,99,49)	CCSRCH471J50
	R 813	(A,27,49)	RS1/16S103J	C 609	(A,100,49)	CKSRYB104K16
	R 815	(A,38,40)	RS1/16S105J	C 612	(A,103,42)	CCSRCH120J50
	R 816	(A,35,40)	RS1/16S471J	C 613	(A,107,42)	CCSRCH120J50
	R 817	(A,44,42)	RS1/16S101J	C 614	(B,111,41)	CKSRYB104K16
	R 819	(B,38,49)	RS1/16S101J	C 617	(B,117,42)	CKSRYB102K50
E	R 820	(B,35,43)	RS1/16S0R0J	C 618	(A,121,45)	CEVW470M6R3
	R 822	(B,42,44)	RS1/16S103J	C 619	(A,116,48)	CKSRYB104K16
	R 823	(B,43,50)	RS1/16S473J	C 620	(A,114,48)	CCSRCH471J50
	R 827	(B,51,51)	RS1/16S470J	C 621	(A,114,51)	CKSRYB474K10
	R 832	(A,53,54)	RS1/16S470J	C 701	(A,65,47)	CKSRYB103K50
	R 833	(A,57,57)	RS1/16S470J	C 702	(A,66,47)	CCSRCH471J50
	R 834	(A,57,58)	RS1/16S470J	C 703	(A,62,38)	CEVW101M16
	R 835	(A,57,60)	RS1/16S470J	C 704	(A,65,44)	CKSRYB104K16
	R 836	(A,57,61)	RS1/16S470J	C 705	(A,66,44)	CCSRCH101J50
	R 840	(A,23,49)	RS1/16S101J	C 706	(B,64,40)	CKSRYB104K16
F	R 841	(A,63,46)	RS1/16S473J	C 707	(B,58,33)	CCSRCH471J50
	R 852	(B,53,45)	RS1/16S222J	C 708	(B,61,33)	CCSRCH471J50
	R 871	(B,58,48)	RS1/16S470J	C 709	(B,63,33)	CCSRCH471J50
	R 872	(B,60,48)	RS1/16S470J	C 710	(B,66,33)	CCSRCH471J50

5		6		7		8	
Mark No.	Description	Part No.	Mark No.	Description	Part No.		
C 711	(B,68,33)	CCSRCH471J50	△ IC 602	(A,199,14) POWER PACK 2CH	STK412-230C		
C 712	(B,71,33)	CCSRCH471J50	△ IC 610	(A,59,28) PROTECTOR(1A)	AEK7009		
C 713	(B,73,33)	CCSRCH471J50	△ IC 803	(A,238,87) IC	TA7805S		A
C 714	(B,76,33)	CCSRCH471J50					
C 715	(A,88,42)	CEVW101M16	△ IC 804	(A,282,111) REGULATOR IC	TA7809S		
			△ IC 805	(B,271,135) IC	BA178M05FP		
C 716	(A,84,41)	CKSRYP104K16	Q 501	(B,85,42) CHIP TRANSISTOR	2SD2704K		
C 717	(A,83,41)	CCSRCH471J50	Q 505	(A,111,47) TRANSISTOR	2SC2240		
C 718	(A,85,33)	CEVW470M6R3	Q 601	(B,93,47) CHIP TRANSISTOR	2SD2704K		
C 720	(A,83,38)	CKSRYP104K16					
C 801	(A,49,63)	CCSRCH471J50	Q 602	(B,227,45) CHIP TRANSISTOR	2SD2704K		
			Q 605	(A,118,40) TRANSISTOR	2SC2240		
C 802	(A,49,64)	CKSRYP104K16	Q 606	(A,252,40) TRANSISTOR	2SC2240		
C 803	(A,42,63)	CCSRCH471J50	Q 631	(B,153,42) CHIP TRANSISTOR	2SD2704K		
C 804	(A,42,64)	CKSRYP104K16	Q 633	(A,178,47) TRANSISTOR	2SC2240		
C 805	(A,37,63)	CCSRCH471J50					
C 806	(A,37,64)	CKSRYP104K16	Q 651	(B,161,45) CHIP TRANSISTOR	2SD2704K		B
			Q 652	(B,219,42) CHIP TRANSISTOR	2SD2704K		
C 807	(A,32,58)	CCSRCH471J50	Q 655	(A,186,40) TRANSISTOR	2SC2240		
C 808	(A,31,58)	CKSRYP104K16	Q 656	(A,244,47) TRANSISTOR	2SC2240		
C 809	(A,32,55)	CCSRCH471J50	Q 696	(B,284,22) TRANSISTOR	2SC4081		
C 810	(A,31,55)	CKSRYP104K16					
C 814	(A,32,47)	CCSRCH471J50	Q 697	(B,282,26) TRANSISTOR	2SC4081		
			Q 698	(B,246,67) TRANSISTOR	RT1N241M		
C 815	(A,31,47)	CKSRYP104K16	△ Q 701	(A,110,75) TRANSISTOR	2SC5511		
C 816	(A,32,40)	CCSRCH8R0D50	△ Q 702	(A,96,86) TRANSISTOR	2SA2005		
C 817	(A,41,40)	CCSRCH8R0D50	Q 703	(A,155,76) TRANSISTOR	2SA1145		
C 818	(A,46,34)	CCSRCH471J50					
C 819	(A,46,33)	CKSRYP104K16	Q 704	(A,166,79) TRANSISTOR	2SC2240		
			Q 705	(B,245,74) CHIP TRANSISTOR	RN4903		C
C 820	(A,46,31)	CKSRYP103K50	Q 707	(B,241,74) CHIP TRANSISTOR	RN4903		
C 821	(A,35,43)	CCSRCH471J50	Q 801	(B,277,141) DIGITAL TR(SC-70)	RT1P241M		
C 822	(A,35,42)	CKSRYP104K16	Q 802	(B,274,145) TRANSISTOR	RT1N241M		
C 823	(A,37,43)	CCSRCH471J50					
C 824	(A,37,42)	CKSRYP104K16	Q 803	(B,265,140) DIGITAL TR(SC-70)	RT1P241M		
			Q 804	(B,268,145) TRANSISTOR	RT1N241M		
C 825	(B,38,52)	CKSRYP103K50	Q 805	(B,277,146) DIGITAL TR(SC-70)	RT1P241M		
C 826	(A,44,44)	CCSRCH471J50	Q 806	(B,271,145) TRANSISTOR	RT1N241M		
C 827	(A,41,44)	CKSRYP104K16	Q 807	(B,276,53) CHIP TR(2*PNP)	RN2903		
C 828	(A,53,48)	CCSRCH471J50					
C 829	(A,54,48)	CKSRYP104K16	Q 808	(B,283,56) CHIP TRANSISTOR	RN1903		
			Q 809	(A,266,101) TRANSISTOR	2SD1858X		
C 830	(A,53,52)	CCSRCH471J50	D 601	(A,125,57) DIODE	1SS133		D
C 831	(A,54,52)	CKSRYP104K16	D 602	(A,267,17) ZENER DIODE	MTZJ15A		
C 832	(A,53,57)	CCSRCH471J50	D 603	(A,119,57) DIODE	1SS133		
C 833	(A,54,57)	CKSRYP104K16					
C 834	(A,52,28)	CEVW101M16	D 604	(A,261,21) ZENER DIODE	MTZJ15A		
			D 606	(A,259,57) DIODE	1SS133		
C 835	(A,63,52)	CEVW101M16	D 608	(A,253,52) DIODE	1SS133		
C 871	(B,66,52)	CCSRCH471J50	D 631	(A,192,61) DIODE	1SS133		
C 872	(B,68,52)	CKSRYP104K16	D 632	(A,176,52) DIODE	1SS133		
C 907	(B,114,38)	CKSRYP104K16					
C 908	(A,121,37)	CEVW101M16	D 647	(A,200,17) ZENER DIODE	MTZJ15A		
			D 648	(A,196,21) ZENER DIODE	MTZJ15A		
C 909	(A,96,34)	CEVW101M16	D 651	(A,192,57) DIODE	1SS133		
C 916	(B,67,47)	CCSRCH471J50	D 652	(A,262,57) DIODE	1SS133		E
C 917	(B,69,47)	CKSRYP103K50	D 653	(A,186,52) DIODE	1SS133		
C 918	(B,79,49)	CKSRYP104K16					
C 919	(B,80,49)	CCSRCH471J50	D 654	(A,242,52) DIODE	1SS133		
			D 681	(A,132,17) ZENER DIODE	MTZJ15A		
C 954	(B,26,52)	CCSRCH471J50	D 682	(A,129,22) ZENER DIODE	MTZJ15A		
C 955	(B,28,52)	CKSRYP104K16	△ D 701	(A,9,88) DIODE	D5SBA20(B)		
C 956	(A,24,54)	CEVW100M16	△ D 702	(A,9,126) DIODE	D5SBA20(B)		

C POWER PACK ASSY (XWZ4080)
MISCELLANEOUS

△ IC 600	(A,132,14) POWER PACK 2CH	STK412-230C
△ IC 601	(A,265,14) POWER PACK 2CH	STK412-230C

D 703	(B,252,76) DIODE	1SS355
D 711	(A,196,103) ZENER DIODE	MTZJ22D
D 712	(A,192,103) DIODE	MTZJ6R8(B)
D 713	(A,120,78) DIODE	1SS133
D 752	(B,170,135) DIODE	1SS355
D 754	(B,141,132) DIODE	1SS355
D 758	(B,73,136) DIODE	1SS355

Mark No.	Description	Part No.	Mark No.	Description	Part No.
	D 777 (A,127,57) DIODE	1SS133	R 635 (A,153,29)		RD1/4PU273J
	D 778 (A,108,57) DIODE	1SS133	R 636 (A,149,25)		RD1/4PU821J
A	⚠ D 801 (B,221,113) BRIDGE DIODE	S1WB(A)60SD	R 637 (A,172,21)		RD1/4PU273J
	D 805 (A,276,131) DIODE	1SS133	R 638 (A,174,36)		RD1/4PU331J
	D 806 (A,287,62) DIODE	MTZJ6R2(B)	⚠ R 639 (A,173,31) RESISTOR (0.22, 5W)		ACN7094
	D 807 (A,284,67) DIODE	1SS133	R 640 (A,179,57)		RD1/4PU182J
	D 827 (A,262,133) DIODE	MTZJ6R2(B)	R 641 (A,174,52)		RD1/4PU821J
	D 828 (A,239,98) DIODE	MTZJ6R2(B)	R 642 (A,169,39)		RD1/4PU223J
	⚠ D 829 (A,239,128) DIODE	D3SBA20(B)	R 647 (A,202,27)		RD1/4PU562J
	L 501 (A,97,118) COIL	ATH1004	R 648 (A,199,27)		RD1/4PU562J
	L 751 (A,160,108) COIL	ATH1004	R 651 (A,164,56)		RD1/4PU222J
	L 752 (A,173,108) COIL	ATH1004	R 652 (A,215,41)		RD1/4PU222J
	L 753 (A,120,107) COIL	ATH1004	R 653 (B,160,50)		RS1/16S103J
B	L 761 (A,130,108) COIL	ATH1004	R 654 (B,219,46)		RS1/16S103J
	L 762 (A,142,108) COIL	ATH1004	R 659 (A,159,35)		RD1/4PU273J
	J 43 JUMPER WIRE 11P	D20PYY1120E	R 660 (A,220,29)		RD1/4PU273J
	KN601 (A,65,23) WRAPPING TERMINAL	VNF1084	R 661 (A,156,28)		RD1/4PU821J
	RY501 (A,75,132) RELAY	XSR3012	R 662 (A,216,20)		RD1/4PU821J
	RY751 (A,173,130) RELAY	XSR3012	R 663 (A,181,21)		RD1/4PU273J
	RY752 (A,141,126) RELAY	XSR3012	R 664 (A,238,21)		RD1/4PU273J
	RY753 (A,117,120) RELAY	XSR3012	R 665 (A,190,36)		RD1/4PU331J
	CN701 (A,212,134) 11PJUMPER CONNECTOR	52147-1110	R 666 (A,240,35)		RD1/4PU331J
	CN702 (A,201,106) 6P JUMPER CONNECTOR	52147-0610	⚠ R 667 (A,182,31) RESISTOR (0.22, 5W)		ACN7094
	CN705 (A,295,40) 21P PLUG	XKM3011	⚠ R 668 (A,239,31) RESISTOR (0.22, 5W)		ACN7094
C	CN751 SP TERMINAL 8-P(V0)	XKE3053	R 669 (A,189,52)		RD1/4PU182J
	CN753 SP TERMINAL 4-P(V0)	XKE3054	R 670 (A,245,52)		RD1/4PU182J
	CN805 (A,317,153) 13P PLUG	XKP3066	R 671 (A,192,49)		RD1/4PU821J
	CN806 19P PLUG	XKP3069	R 672 (A,240,57)		RD1/4PU821J
	CN807 (A,317,82) 15P PLUG	XKP3067	R 673 (A,184,48)		RD1/4PU223J
	CN815 (A,295,79) 19P PLUG	XKM3005	R 674 (A,236,38)		RD1/4PU223J
	CN816 (A,295,126) 21P PLUG	XKM3011	R 680 (B,297,21)		RS1/16S0R0J
	CN817 (A,308,38) CONNECTOR	CKS3382	R 688 (A,135,27)		RD1/4PU562J
	810 (A,277,90) 11P CABLE HOLDER	51048-1100	R 689 (A,133,27)		RD1/4PU562J
			R 695 (A,97,22)		RD1/4PU333J
			R 696 (B,281,38)		RS1/16S103J
			R 697 (B,255,68)		RS1/16S103J
			R 698 (B,243,67)		RS1/16S333J
			R 699 (A,165,21)		RD1/4PU333J
			R 701 (A,117,78)		RD1/4PU562J
			R 702 (A,101,84)		RD1/4PU562J
			R 703 (A,151,72)		RD1/4PU203J
			R 704 (A,147,76)		RD1/4PU203J
			R 705 (A,283,85)		RD1/4PU473J
			R 706 (A,283,75)		RD1/4PU473J
			R 707 (A,135,77)		RD1/4PU184J
			R 708 (A,147,81)		RD1/4PU184J
			⚠ R 709 (A,104,72) METAL OXIDE RESISTOR		RS1LMF472J
			⚠ R 710 (A,89,93) METAL OXIDE RESISTOR		RS1LMF472J
			⚠ R 711 (A,181,86) METAL OXIDE RESISTOR		RS2LMF242J
			R 713 (A,117,81)		RD1/4PU102J
			R 714 (B,252,68)		RS1/16S102J
			R 715 (B,250,75)		RS1/16S103J
			R 716 (B,247,75)		RS1/16S103J
			R 725 (A,276,74)		RD1/4PU103J
			R 726 (B,291,59)		RS1/16S103J
			R 727 (B,287,59)		RS1/16S103J
			⚠ R 751 (A,158,119) CARBON FILM RESISTOR		RD1/4PUF101J
			⚠ R 752 (A,185,120) CARBON FILM RESISTOR		RD1/4PUF101J
			⚠ R 753 (A,156,126) METAL OXIDE RESISTOR		RS1LMF4R7J
			⚠ R 754 (A,181,126) METAL OXIDE RESISTOR		RS1LMF4R7J

RESISTORS

Mark No. Description**Part No.****Mark No. Description****Part No.**

⚠ IC 702 (A,84,81) IC PROTECTOR ICP-N10
 ⚠ IC 803 (A,238,87) IC TA7805S
 ⚠ IC 804 (A,282,111) REGULATOR IC TA7809S
 A ⚠ IC 805 (B,271,135) IC BA178M05FP
 Q 501 (B,85,42) CHIP TRANSISTOR 2SD2704K
 Q 505 (A,111,47) TRANSISTOR 2SC2240
 Q 601 (B,93,47) CHIP TRANSISTOR 2SD2704K
 Q 602 (B,227,45) CHIP TRANSISTOR 2SD2704K
 Q 605 (A,118,40) TRANSISTOR 2SC2240
 Q 606 (A,252,40) TRANSISTOR 2SC2240

D 757 (B,70,136) DIODE 1SS355
 D 758 (B,73,136) DIODE 1SS355
 D 777 (A,127,57) DIODE 1SS133
 D 778 (A,108,57) DIODE 1SS133
 ⚠ D 801 (B,221,113) BRIDGE DIODE S1WB(A)60SD
 D 805 (A,276,131) DIODE 1SS133
 D 806 (A,287,62) DIODE MTZJ6R2(B)
 D 807 (A,284,67) DIODE 1SS133
 D 827 (A,262,133) DIODE MTZJ6R2(B)
 D 828 (A,239,98) DIODE MTZJ6R2(B)

Q 631 (B,153,42) CHIP TRANSISTOR 2SD2704K
 Q 633 (A,178,47) TRANSISTOR 2SC2240
 Q 651 (B,161,45) CHIP TRANSISTOR 2SD2704K
 Q 652 (B,219,42) CHIP TRANSISTOR 2SD2704K
 B Q 655 (A,186,40) TRANSISTOR 2SC2240

⚠ D 829 (A,239,128) DIODE D3SBA20(B)
 L 501 (A,97,118) COIL ATH1004
 L 751 (A,160,108) COIL ATH1004
 L 752 (A,173,108) COIL ATH1004
 L 753 (A,120,107) COIL ATH1004

Q 656 (A,244,47) TRANSISTOR 2SC2240
 Q 696 (B,284,22) TRANSISTOR 2SC4081
 Q 697 (B,282,26) TRANSISTOR 2SC4081
 Q 698 (B,246,67) TRANSISTOR RT1N241M
 ⚠ Q 701 (A,110,75) TRANSISTOR 2SC5511

L 761 (A,130,108) COIL ATH1004
 L 762 (A,142,108) COIL ATH1004
 J 43 JUMPER WIRE 11P D20PYY1120E
 KN601 (A,65,23) WRAPPING TERMINAL VNF1084
 RY501 (A,75,132) RELAY XSR3012

⚠ Q 702 (A,96,86) TRANSISTOR 2SA2005
 Q 703 (A,155,76) TRANSISTOR 2SA1145
 Q 704 (A,166,79) TRANSISTOR 2SC2240
 Q 705 (B,245,74) CHIP TRANSISTOR RN4903
 Q 707 (B,241,74) CHIP TRANSISTOR RN4903

RY751 (A,173,130) RELAY XSR3012
 RY752 (A,141,126) RELAY XSR3012
 RY753 (A,117,120) RELAY XSR3012
 CN701 (A,212,134) 11PJUMPER CONNECTOR 52147-1110
 CN702 (A,201,106) 6P JUMPER CONNECTOR 52147-0610

Q 801 (B,277,141) DIGITAL TR(SC-70) RT1P241M
 Q 802 (B,274,145) TRANSISTOR RT1N241M
 Q 803 (B,265,140) DIGITAL TR(SC-70) RT1P241M
 Q 804 (B,268,145) TRANSISTOR RT1N241M
 Q 805 (B,277,146) DIGITAL TR(SC-70) RT1P241M

CN705 (A,295,40) 21P PLUG XKM3011
 CN751 SP TERMINAL 8-P(V0) XKE3055
 CN753 SP TERMINAL 4-P(V0) XKE3056
 CN805 (A,317,153) 13P PLUG XKP3066
 CN806 19P PLUG XKP3069

Q 806 (B,271,145) TRANSISTOR RT1N241M
 Q 807 (B,276,53) CHIP TR(2*PNP) RN2903
 Q 808 (B,283,56) CHIP TRANSISTOR RN1903
 Q 809 (A,266,101) TRANSISTOR 2SD1858X
 D 601 (A,125,57) DIODE 1SS133

CN807 (A,317,82) 15P PLUG XKP3067
 CN815 (A,295,79) 19P PLUG XKM3005
 CN816 (A,295,126) 21P PLUG XKM3011
 CN817 (A,308,38) CONNECTOR CKS3382
 810 (A,277,90) 11P CABLE HOLDER 51048-1100

D 602 (A,267,17) ZENER DIODE MTZJ15A
 D 603 (A,119,57) DIODE 1SS133
 D 604 (A,261,21) ZENER DIODE MTZJ15A
 D 606 (A,259,57) DIODE 1SS133
 D 608 (A,253,52) DIODE 1SS133

RESISTORS

R 601 (A,96,56) RD1/4PU222J
 R 602 (A,230,52) RD1/4PU222J
 R 603 (B,93,52) RS1/16S103J
 R 604 (B,226,49) RS1/16S103J
 R 609 (A,91,35) RD1/4PU273J

D 631 (A,192,61) DIODE 1SS133
 D 632 (A,176,52) DIODE 1SS133
 D 647 (A,200,17) ZENER DIODE MTZJ15A
 D 648 (A,196,21) ZENER DIODE MTZJ15A
 D 651 (A,192,57) DIODE 1SS133

R 610 (A,225,35) RD1/4PU273J
 R 611 (A,90,28) RD1/4PU821J
 R 612 (A,223,28) RD1/4PU821J
 R 613 (A,114,21) RD1/4PU273J
 R 614 (A,247,21) RD1/4PU273J

D 652 (A,262,57) DIODE 1SS133
 D 653 (A,186,52) DIODE 1SS133
 D 654 (A,242,52) DIODE 1SS133
 D 681 (A,132,17) ZENER DIODE MTZJ15A
 D 682 (A,129,22) ZENER DIODE MTZJ15A

R 615 (A,123,36) RD1/4PU331J
 R 616 (A,270,29) RD1/4PU562J
 ⚠ R 617 (A,114,31) RESISTOR (0.22, 5W) ACN7094
 R 618 (A,266,28) RD1/4PU562J
 R 619 (A,122,52) RD1/4PU182J

⚠ D 701 (A,9,88) DIODE D5SBA20(B)
 ⚠ D 702 (A,9,126) DIODE D5SBA20(B)
 D 703 (B,252,76) DIODE 1SS355
 D 711 (A,196,103) ZENER DIODE MTZJ22D
 D 712 (A,192,103) DIODE MTZJ6R8(B)

R 620 (A,257,36) RD1/4PU331J
 R 621 (A,124,49) RD1/4PU821J
 ⚠ R 622 (A,248,31) RESISTOR (0.22, 5W) ACN7094
 R 623 (A,116,48) RD1/4PU223J
 R 624 (A,257,52) RD1/4PU182J

D 713 (A,120,78) DIODE 1SS133
 D 751 (B,168,135) DIODE 1SS355
 D 752 (B,170,135) DIODE 1SS355
 D 753 (B,138,132) DIODE 1SS355
 D 754 (B,141,132) DIODE 1SS355

R 626 (A,258,49) RD1/4PU821J
 R 628 (A,250,48) RD1/4PU223J
 R 630 (A,230,21) RD1/4PU333J
 R 631 (A,148,46) RD1/4PU222J

Mark No. Description**Part No.**

C 655 (A,164,38) CEAT4R7M50
 C 656 (A,215,33) CEAT4R7M50
 A C 657 (B,165,17) CCSRCH470J50
 C 658 (B,221,17) CCSRCH470J50
 C 659 (A,158,31) CEAT101M16

C 660 (A,219,25) CEAT101M16
 C 661 (B,184,23) CCSRCH470J50
 C 662 (B,241,27) CCSRCH470J50
 C 663 (B,184,27) CCSRCH470J50
 C 664 (B,241,24) CCSRCH470J50

C 665 (A,184,45) CEANP2R2M50
 C 666 (A,239,49) CEANP2R2M50
 B C 696 (B,281,35) CKSRYB102K50
 C 697 (A,286,34) CEAT221M6R3
 C 701 (A,49,80) ELECT.CAPACITOR XCH3026

C 702 (A,49,107) ELECT.CAPACITOR XCH3026
 C 703 (A,43,130) ELECT.CAPACITOR XCH3012
 C 704 (A,38,150) ELECT.CAPACITOR XCH3012
 C 705 (A,156,81) ELECT. CAPACITOR CEAT100M2A
 C 706 (A,143,84) ELECT. CAPACITOR CEAT100M2A

C 707 (A,17,99) MYLAR FILM CAPACITOR CQMA103K2E
 C 708 (A,16,137) MYLAR FILM CAPACITOR CQMA103K2E
 C 709 (A,257,73) CEAT1R0M50
 C 711 (A,195,99) ELECT. CAPACITOR CEAT101M35
 C 712 (A,189,105) CEAT101M10

C 751 (A,159,143) FILM CAPACITOR CQMBA224J50
 C 752 (A,181,150) FILM CAPACITOR CQMBA224J50
 C 753 (A,157,155) FILM CAPACITOR CQMBA224J50
 C 754 (A,181,158) FILM CAPACITOR CQMBA224J50
 C 755 (A,103,147) FILM CAPACITOR CQMBA224J50

C 756 (A,96,151) FILM CAPACITOR CQMBA224J50
 C 757 (A,157,164) FILM CAPACITOR CQMBA123J50
 C 758 (A,177,164) FILM CAPACITOR CQMBA123J50
 C 759 (A,101,164) FILM CAPACITOR CQMBA123J50
 C 761 (A,122,139) FILM CAPACITOR CQMBA224J50

C 762 (A,152,145) FILM CAPACITOR CQMBA224J50
 C 763 (A,122,146) FILM CAPACITOR CQMBA224J50
 C 764 (A,150,152) FILM CAPACITOR CQMBA224J50
 C 766 (A,82,164) FILM CAPACITOR CQMBA123J50
 C 773 (A,138,164) FILM CAPACITOR CQMBA123J50

C 778 (B,84,34) CKSRYB331K50
 C 779 (A,81,33) CEAT4R7M50
 C 780 (B,88,18) CCSRCH470J50
 C 781 (A,87,27) CEAT101M16
 C 782 (B,107,27) CCSRCH470J50

E C 783 (B,107,24) CCSRCH470J50
 C 784 (A,105,49) CEANP2R2M50
 C 785 (A,89,146) FILM CAPACITOR CQMBA224J50
 C 801 (A,248,114) ELECT. CAPACITOR CEAT222M25
 C 802 (A,249,100) ELECT. CAPACITOR CEAT222M25

C 806 (A,288,55) CEAT1R0M50
 C 807 (B,226,95) CKSRYB103K25
 C 808 (A,245,142) ELECT. CAPACITOR CEAT472M16
 C 809 (A,234,95) CEAT101M10
 C 810 (A,266,133) CEAT101M10

F C 811 (B,279,128) CKSRYB103K25
 C 812 (B,278,109) CKSRYB103K25
 C 813 (A,276,118) CEAT101M16

Mark No. Description**Part No.****D TRANS2 ASSY
MISCELLANEOUS**

⚠ IC 853 (A,32,204) PROTECTOR(4A) AEK7018
 J 21 JUMPER WIRE 11P D20PPY1130E
 CN1201(A,35,183) 4P JUMPER CONNECTOR 52147-0410
 851 (A,49,207) 11P CABLE HOLDER 51048-1100

E TRANS3 ASSY

TRANS3 ASSY has no service part.

**G HEAD PHONE ASSY
MISCELLANEOUS**

Q 1551(B,78,211) CHIP TRANSISTOR 2SD2704K
 Q 1552(B,102,219) CHIP TRANSISTOR 2SD2704K
 J 47 JUMPER WIRE D20PPY0640E
 JA1551(A,117,233) HEADPHONE JACK RKB1014
 KN1551(A,69,231) WRAPPING TERMINAL VNF1084
 1551(A,59,220) 6P CABLE HOLDER 51048-0600

RESISTORS

⚠ R 1551(A,84,202) METAL OXIDE RESISTOR RS2LMF331J
 ⚠ R 1552(A,78,203) METAL OXIDE RESISTOR RS2LMF331J
 ⚠ R 1553(A,108,221) METAL OXIDE RESISTOR RS1LMF151J
 ⚠ R 1554(A,93,216) METAL OXIDE RESISTOR RS1LMF151J
 R 1555(B,100,216) RS1/16S472J
 R 1556(B,81,210) RS1/16S472J
 R 1557(B,87,228) RS1/16S102J

CAPACITORS

C 1551(B,94,226) CKSRYB223K50
 C 1552(B,83,210) CKSRYB223K50
 C 1553(B,110,224) CKSRYB103K50
 C 1554(B,110,226) CCSRCH471J50
 C 1555(B,110,229) CKSRYB104K16
 C 1556(B,112,239) CKSRYB103K50
 C 1557(B,109,239) CCSRCH471J50
 C 1558(B,107,239) CKSRYB104K16
 C 1561(A,69,205) ELECT. CAPACITOR CEANP470M50
 C 1562(A,71,223) ELECT. CAPACITOR CEANP470M50

**K FRONT DISPLAY
MISCELLANEOUS**

IC 401 (B,121,181) DISPLAY U-COM PE5550A
 IC 402 (A,223,169) REMOTE RECEIVER UNIT GP1UM27XK0VF
 Q 442 (B,238,190) TRANSISTOR RT1N241M
 Q 484 (B,217,189) TRANSISTOR 2SA1576A
 D 401 (B,239,163) DIODE DAN202K
 D 403 (B,226,189) DIODE 1SS355
 L 401 (A,242,159) RADIAL INDUCTOR LFCA2R2J
 V 401 (A,189,200) FL TUBE XAV3033
 S 451 (A,234,139) SWITCH VSG1024
 S 452 (A,213,136) SWITCH VSG1024
 S 453 (A,187,134) SWITCH VSG1024
 S 454 (A,70,134) SWITCH VSG1024
 S 455 (A,46,134) SWITCH VSG1024
 S 456 (A,23,134) SWITCH VSG1024
 S 458 (A,13,112) SWITCH VSG1024
 S 459 (A,114,136) SWITCH VSG1024

5		6		7		8	
Mark No.	Description	Part No.	Mark No.	Description	Part No.		
S 460	(A,91,136) SWITCH	VSG1024	R 471	(B,34,91)	RS1/16S512J		
S 461	(A,57,112) SWITCH	VSG1024	R 472	(B,86,176)	RS1/16S472J		
S 462	(A,42,112) SWITCH	VSG1024	R 473	(B,19,91)	RS1/16S133J		
S 463	(A,27,112) SWITCH	VSG1024	R 481	(B,169,204)	RS1/16S473J		A
			R 482	(B,167,204)	RS1/16S473J		
S 464	(A,164,134) SWITCH	VSG1024					
S 465	(A,140,134) SWITCH	VSG1024	R 483	(B,165,204)	RS1/16S473J		
S 466	(A,86,90) SWITCH	VSG1024	R 484	(B,163,204)	RS1/16S473J		
S 467	(A,72,90) SWITCH	VSG1024	R 485	(B,161,204)	RS1/16S473J		
S 468	(A,57,90) SWITCH	VSG1024	R 486	(B,159,204)	RS1/16S473J		
			R 487	(B,157,204)	RS1/16S473J		
S 469	(A,42,90) SWITCH	VSG1024					
S 470	(A,27,90) SWITCH	VSG1024	R 488	(B,155,204)	RS1/16S473J		
S 471	(A,13,90) SWITCH	VSG1024	R 489	(B,153,204)	RS1/16S473J		
X 401	(A,149,165) CERAMIC RESONATOR (5.00 MHz)	VSS1142	R 490	(B,151,204)	RS1/16S473J		
CN401	(A,246,165) 17P CONNECTOR	52044-1745	R 492	(B,121,204)	RS1/16S104J		
			R 493	(B,119,204)	RS1/16S104J		B
	471 (A,35,176) CABLE HOLDER(3P)	51063-0305	R 494	(B,117,204)	RS1/16S104J		
	404 (A,197,127) CABLE HOLDER(7P)	51063-0705	R 495	(B,115,204)	RS1/16S104J		
	402 FL HOLDER(FE)	VNF1096	R 496	(B,113,204)	RS1/16S104J		
			R 497	(B,111,204)	RS1/16S104J		
			R 498	(B,109,204)	RS1/16S104J		
RESISTORS							
R 401	(B,144,169)	RS1/16S105J					
R 402	(B,223,189)	RS1/16S104J	R 499	(B,107,204)	RS1/16S104J		
R 403	(B,220,189)	RS1/16S104J	R 500	(B,105,204)	RS1/16S104J		
R 405	(B,228,155)	RS1/16S102J	R 517	(B,149,204)	RS1/16S473J		
R 406	(B,226,155)	RS1/16S103J	R 518	(B,147,204)	RS1/16S473J		
			R 519	(B,145,204)	RS1/16S473J		
R 407	(B,78,176)	RS1/16S473J					C
R 408	(B,80,176)	RS1/16S473J	R 520	(B,103,204)	RS1/16S104J		
R 409	(B,75,176)	RS1/16S473J	R 521	(B,101,204)	RS1/16S104J		
R 410	(B,73,176)	RS1/16S473J	R 522	(B,99,204)	RS1/16S104J		
R 411	(B,229,189)	RS1/16S473J	R 523	(B,97,204)	RS1/16S104J		
			R 524	(B,95,204)	RS1/16S104J		
R 412	(B,234,187)	RS1/16S221J					
R 413	(B,234,184)	RS1/16S221J	R 525	(B,93,204)	RS1/16S104J		
R 414	(B,234,182)	RS1/16S221J	R 526	(B,91,204)	RS1/16S104J		
R 415	(B,234,180)	RS1/16S221J	R 527	(B,89,204)	RS1/16S104J		
R 416	(B,234,178)	RS1/16S221J	R 528	(B,87,204)	RS1/16S104J		
			R 529	(B,85,204)	RS1/16S104J		
R 417	(B,219,182)	RS1/16S101J					
R 422	(B,157,169)	RS1/16S104J	R 530	(B,83,204)	RS1/16S104J		D
R 423	(B,131,167)	RS1/16S104J	R 531	(B,81,204)	RS1/16S104J		
R 424	(B,83,176)	RS1/16S104J	R 532	(B,79,204)	RS1/16S104J		
R 425	(B,213,182)	RS1/16S104J	R 533	(B,77,204)	RS1/16S104J		
			R 534	(B,75,204)	RS1/16S104J		
R 430	(B,234,175)	RS1/16S0R0J					
R 451	(B,236,144)	RS1/16S472J	CAPACITORS				
R 452	(B,234,144)	RS1/16S681J	C 401	(B,247,155)	CKSRYB103K50		
R 453	(B,187,147)	RS1/16S821J	C 402	(B,247,153)	CKSRYB103K50		
R 454	(B,166,153)	RS1/16S122J	C 403	(A,234,168) ELECTR.CAPACITOR	CEAT101M6R3		
			C 410	(B,49,186)	CKSRYB103K50		
			C 411	(B,51,186)	CKSRYB103K50		
R 455	(A,45,146)	RD1/4PU681J					
R 456	(A,35,144)	RD1/4PU821J					
R 457	(A,16,139)	RD1/4PU122J	C 412	(A,42,178)	CEAT470M50		E
R 459	(A,109,134)	RD1/4PU472J	C 418	(B,141,179)	CKSRYB104K16		
R 460	(A,101,135)	RD1/4PU681J	C 419	(B,103,182)	CKSRYB103K50		
			C 420	(A,39,185) ELECT. CAPACITOR	CEAT101M35		
			C 421	(B,160,169)	CKSRYB104K16		
R 461	(B,52,117)	RS1/16S821J					
R 462	(B,49,117)	RS1/16S122J					
R 463	(B,34,117)	RS1/16S162J	C 441	(B,223,176)	CKSRYB103K50		
R 464	(B,20,117)	RS1/16S272J	C 442	(A,239,146)	CEAL470M10		
R 465	(A,161,128)	RD1/4PU472J	C 451	(B,125,166)	CKSRYB102K50		
			C 452	(B,103,164)	CKSRYB102K50		
			C 453	(B,122,166)	CKSRYB102K50		
R 466	(A,151,128)	RD1/4PU681J					
R 467	(A,131,128)	RD1/4PU821J	C 454	(B,100,164)	CKSRYB102K50		F
R 468	(B,79,91)	RS1/16S122J	C 481	(B,140,191)	CCSRCH471J50		
R 469	(B,64,91)	RS1/16S162J	C 482	(B,126,201)	CCSRCH221J50		
R 470	(B,50,92)	RS1/16S272J	C 483	(B,126,199)	CCSRCH221J50		

1

2

3

4

Mark No. Description

C 487 (B,83,163)

C 488 (B,79,163)

C 489 (B,75,163)

C 490 (A,241,34)

Part No.

CKSRYB102K50

CKSRYB102K50

CKSRYB102K50

CKSRYB102K50

Mark No. Description

C 805 (A,152,103)

C 806 (A,173,100)

C 818 (B,196,95)

C 819 (A,190,95)

Part No.

CEJQ101M16

CEAT101M16

CKSRYB103K25

CEAT101M10

L R.ENCODER ASSY**MISCELLANEOUS**

S 457 (A,300,183) SWITCH VSG1024

S 512 (A,288,223) ROTARY ENCODER (JOG) XSX3008

S 513 (A,288,152) ROTARY ENCODER XSX3005

S 514 (A,257,216) SWITCH VSG1024

S 515 (A,270,183) SWITCH VSG1024

S 516 (A,285,183) SWITCH VSG1024

511 (A,257,172) CABLE HOLDER(7P) 51063-0705

RESISTORS

R 513 (B,270,190) RS1/16S162J

R 514 (B,280,185) RS1/16S272J

R 515 (B,295,185) RS1/16S512J

M POWER KEY ASSY**MISCELLANEOUS**

S 501 (A,12,174) SWITCH VSG1024

S 502 (A,20,221) SWITCH VSG1024

S 503 (A,32,218) SWITCH VSG1024

S 504 (A,47,218) SWITCH VSG1024

501 (A,47,210) CABLE HOLDER(3P) 51063-0305

RESISTORS

R 502 (B,7,171) RS1/16S162J

R 503 (A,15,228) RD1/4PU272J

R 504 (A,30,228) RD1/4PU512J

O TRANS4 ASSY**MISCELLANEOUS**

⚠ IC 891 (A,104,223) PROTECTOR(800MA) AEK7008

⚠ IC 892 (A,77,232) PROTECTOR(800MA) AEK7008

⚠ D 891 (B,91,226) BRIDGE DIODE S1WB(A)60SD

J 22 JUMPER WIRE D20PYY0330E

891 (A,70,221) 3P CABLE HOLDER 51048-0300

CAPACITORS

C 891 (A,97,218) ELECT. CAPACITOR CEAT471M35

C 892 (A,86,218) ELECT. CAPACITOR CEAT471M35

P REGULATOR ASSY**MISCELLANEOUS**

⚠ IC 801 (A,161,89) REGULATOR IC TA7812S

⚠ IC 802 (A,178,89) REGULATOR IC TA79012S

⚠ IC 803 (A,196,89) IC TA7805S

D 810 (A,186,95) ZENER DIODE MTZJ6.2B

CN800 (A,194,113) 11PJUMPER CONNECTOR 52147-1110

RESISTORS

⚠ R 801 (A,152,97) METAL OXIDE RESISTOR RS3LMF331J

CAPACITORS

C 803 (B,164,98) CKSRYB103K25

C 804 (B,180,98) CKSRYB103K25

R DIG. INPUT ASSY**MISCELLANEOUS**

F 1901(B,214,228) INDUCTOR CTF1295

JA 1900(A,206,201) OPT. LINK IN GP1FAV/51RKBF

KN1902(A,249,206) SCREW PLATE VNE1948

CN1903(A,229,230) CONNECTOR VKN1186

RESISTORS

R 1900(B,211,215) RS1/16S101J

CAPACITORS

C 1900(B,205,215) CKSRYB104K25

C 1903(B,211,230) CKSRYB103K50

C 1904(A,208,228) CEAL101M10

C 1905(B,233,232) CKSRYB104K25

C 1906(B,235,232) CKSRYB103K50

C 1907(B,237,232) CCSRCH101J50

C 1908(B,239,232) CKSRYB102K50

T FRONT INPUT ASSY**MISCELLANEOUS**

JA971 (A,100,96) JACK DKN1124

KN971 (A,131,120) WRAPPING TERMINAL VNF1084

CN971 (A,143,98) 3P CABLE HOLDER 51048-0300

J29 (A,143,98) 3P CABLE D20PYY0323E

RESISTORS

R 971 (B,130,91) RS1/16S331J

R 972 (B,130,104) RS1/16S331J

CAPACITORS

C 971 (B,127,91) CCSRCH101J50

C 972 (B,127,104) CCSRCH101J50

C 973 (B,132,91) CCSRCH101J50

C 974 (B,132,104) CCSRCH101J50

C 975 (B,106,104) CCSRCH471J50

C 976 (B,108,104) CKSRYB103K50

C 977 (B,111,104) CKSRYB104K25

U PRIMARY ASSY**MISCELLANEOUS**

⚠ IC 51 (A,234,14) REGULATOR IC TA78057S

Q 51 (B,267,14) DIGITAL TR(SC-70) RT1N431M

⚠ D 51 (B,298,20) BRIDGE DIODE DF06SA

D 55 (A,304,21) DIODE 1SR139-400

D 56 (A,271,21) DIODE 1SS133

D 58 (A,314,13) ZENER DIODE MTZJ5.1B

H 51 (A,231,34) FUSE CLIP AKR7001

H 52 (A,250,34) FUSE CLIP AKR7001

J 52 JUMPER WIRE D20PYY0410E

KN51 (A,318,25) WRAPPING TERMINAL VNF1084

KN3001(A,223,117) SCREW PLATE VNE1948

⚠ RY51 (A,271,57) RELAY XSR3013

⚠ T 51 (A,288,56) STANDBY TRANSFORMER ATT7043

1

2

3

4

Mark No.	Description	Part No.
△ CN51	(A,236,47) AC CODE SOCKET	RKP1751
55	(A,317,9) 4P CABLE HOLDER	51048-0400

RESISTORS

△ R 51	(A,318,37) RESISTOR(2.2M, 1/2W)	RCN1080
R 52	(A,275,11)	RD1/2PM270J
R 53	(A,307,12)	RD1/4PU332J
R 54	(A,319,16)	RD1/4PU103J

CAPACITORS

△ C 51	(A,261,64) FILM CAPACITOR	ACE7013
△ C 52	(A,265,57) SAFETY CAPACITOR	XCG3009
C 53	(A,291,21) ELECT. CAPACITOR	CEAT102M16
C 54	(A,300,11)	CEAT470M25
C 55	(A,307,21)	CKPUYF103Z25
C 56	(A,311,21)	CKPUYF103Z25
C 57	(A,314,21)	CKPUYF103Z25

V TRANS1 ASSY

TRANS1 ASSY has no service part.

Y FM/AM TUNER UNIT

FM/AM TUNER UNIT has no service part.

6. ADJUSTMENT

There is no information to be shown in this chapter.

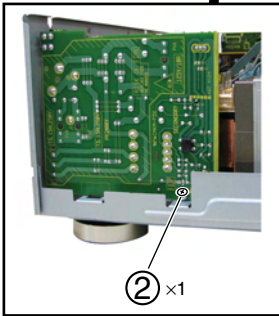
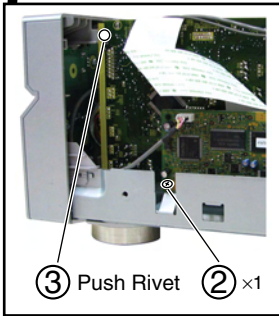
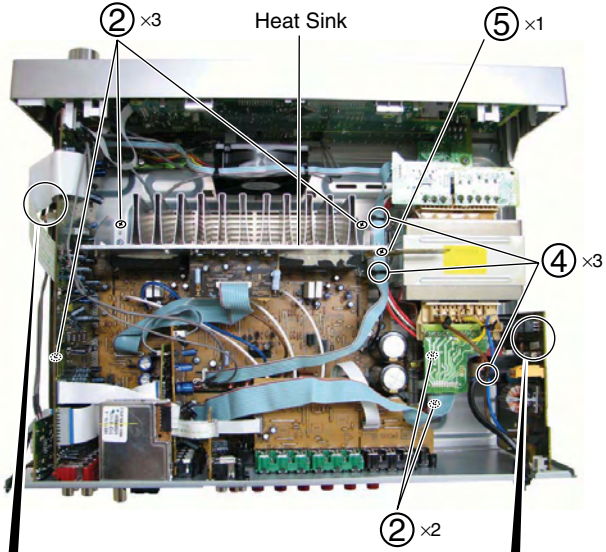
7. GENERAL INFORMATION

7.1 DIAGNOSIS

7.1.1 DISASSEMBLY

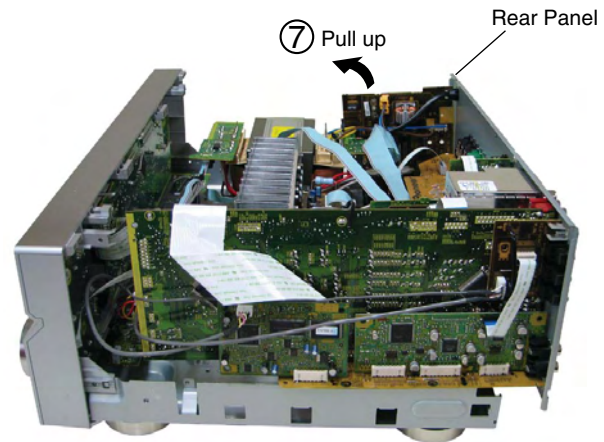
Note: Even if the unit shown in the photos and illustrations in this manual may differ from your product, the procedures described here are common.

① Remove the top cover (five screws).



④ Cut 3 cable ties.

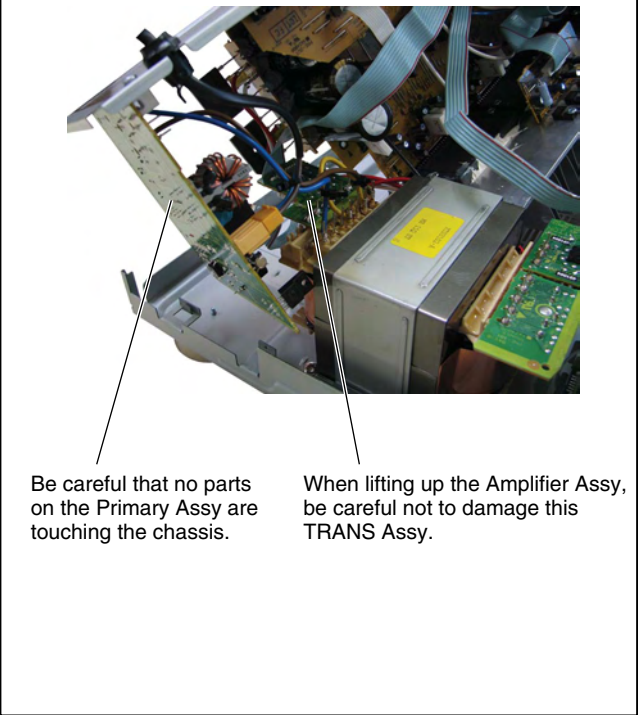
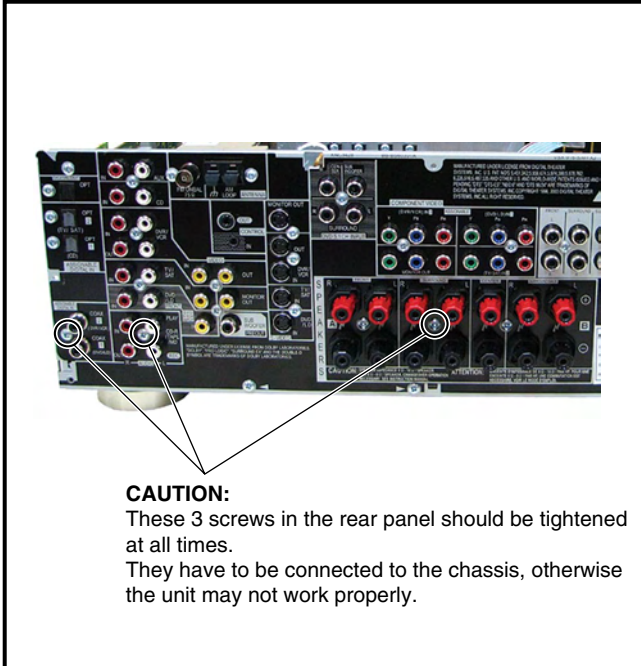
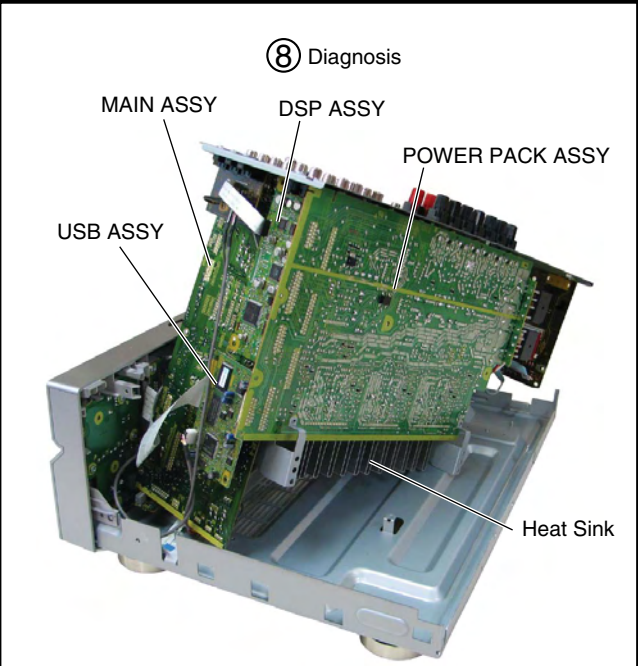
⑤ Remove PCB holder(one screw).



Note : The unit does not operate when the screws of Speaker Terminal are taken off from Rear Panel.

Heat-sink caution when disassembling : The Heat-sink becomes hot; please take care.

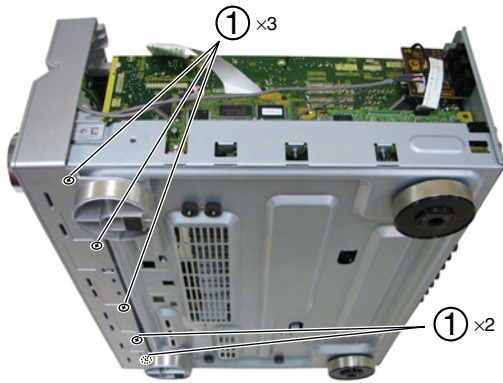
Note: Even if the unit shown in the photos and illustrations in this manual may differ from your product, the procedures described here are common.



Note : The unit does not operate when the screws of Speaker Terminal are taken off from Rear Panel.

Heat-sink caution when disassembling : The Heat-sink becomes hot; please take care.

A



B



C

Y FM/AM TUNER UNIT

P REGULATOR ASSY

A MAIN ASSY

T FRONT INPUT ASSY

L R. ENCODER ASSY

D

D TRANS 2 ASSY

E

U PRIMARY ASSY

C POWER PACK ASSY

E TRANS 3 ASSY

O TRANS 4 ASSY

K FRONT DISPLAY ASSY

M POWER KEY ASSY

G HP ASSY

F

NOTE : This photograph is VSX-916-S.

• Pin Function

A

No.	Port	Pin Name	I/O	Pin Function	
1	P96/ANEX1/SOUT4	USDAI	I/O	No use	
2	P95/ANEX0/CLK4	USCLK	I/O	No use	
3	P94	DISP EN	I/O	Enable signal to display u-com	
4	P93	DISP RDY	I/O	Ready signal from display u-com	
5	P92/TB2IN/SOUT3	DISP DI	I/O	Data out to display u-com	
6	P91/TB1IN/SIN3	DISP DO	I/O	Data in from display u-com	
7	P90/TB0IN/CLK3	DISP CLK	I/O	Clock signal to display u-com	
8	BYTE	GND			
9	CNVss	CNVSS			
B	10	P87/XCIN	I/O	Clock for I2C communication with EEPROM IC	
11	P86/XCOUT	I2C DT	I/O	Data for I2C communication with EEPROM IC	
12	RESET	XRESET			
13	XOUT	XOUT			
14	VSS	GND			
15	XIN	XIN			
16	VCC	5V			
17	P85/NMI	NMI	I	No use	
18	P84/INT2	ACIN(WAKEUP)	I/O	AC pulse in	
19	P83/INT1	NC	I/O	Request from TCC760 to main u-com	
C	20	P82/INT0	I/O	wake up signal from display u-com	
21	P81	NC	I/O	No use	
22	P80	NC	I/O	No use	
23	P77	NC	I/O	No use	
24	P76	NC	I/O	No use	
25	P75/TA2IN	iPod Sense	I/O	No use	
26	P74/TA2OUT	USB XRST	I/O	No use	
27	P73/CTS2/RTS2/TA1IN/V	USCS	I/O	No use	
28	P72/CLK2/TA1OUT/V	DISP RST	I/O	reset signal to display u-com	
D	29	P71/RXD2/SCL2/TA0IN	NC	I/O	
30	P70/TXD2/SDA2/TA0OUT	NC	I/O		
31	P67/TXD1/SDA1	TXD(SR+/iPod)	I/O	SR+/iPod communication	
32	P66/RxD/SCL1	RXD(SR+/iPod)	I/O	SR+/iPod communication	
33	P65/CLK1	CLK	I/O	It is necessary when writing for JIG	
34	P64/CTS1/RTS1/CTS00/CLKS1	232C CTS	I/O	For rewriting 232C (Admit communication)	
35	P63/TXD0/SDA0	DSP DI	I/O	Data output signal for communication with DSP and DIR	
36	P62/RxD0/SCL0	DSP DO	I/O	Data input signal for communication with DSP	
37	P61/CLK0	DSP CLK	I/O	Clock signal for communication with DSP and DIR	
38	P60/CTS0/RTS0	DSP RST	I/O	Reset signal for DSP	
E	39	P57/CLKOUT	DSP SS	I/O	Strobe select signal to DSP
40	P56	BUSY	I/O	Use it in MCACC	
41	P55	DSP HREQ	I/O	DSP error detect signal	
42	P54	DSP MODE	I/O	Mode select of DSP (ROM/RAM)	
43	P53	DSP MUTE	I/O	DSP ASSY mute	
44	P52	ADMODE	I/O	DSP ASSY	
45	P51	DIR DO	I/O	Data input signal for communication with DIR/DAC	
46	P50	DIR CS	I/O	Chip select signal for communication with DIR/DAC	
47	P47	LSSN	I/O	DSP ASSY	
48	P46	DIR CDC RST	I/O	Reset signal for DIR CODEC	
F	49	P45	DIR ERR	I/O	lock/unlock signal
50	P44	XTL0	I/O	DIR X'tal change	

• Pin Function

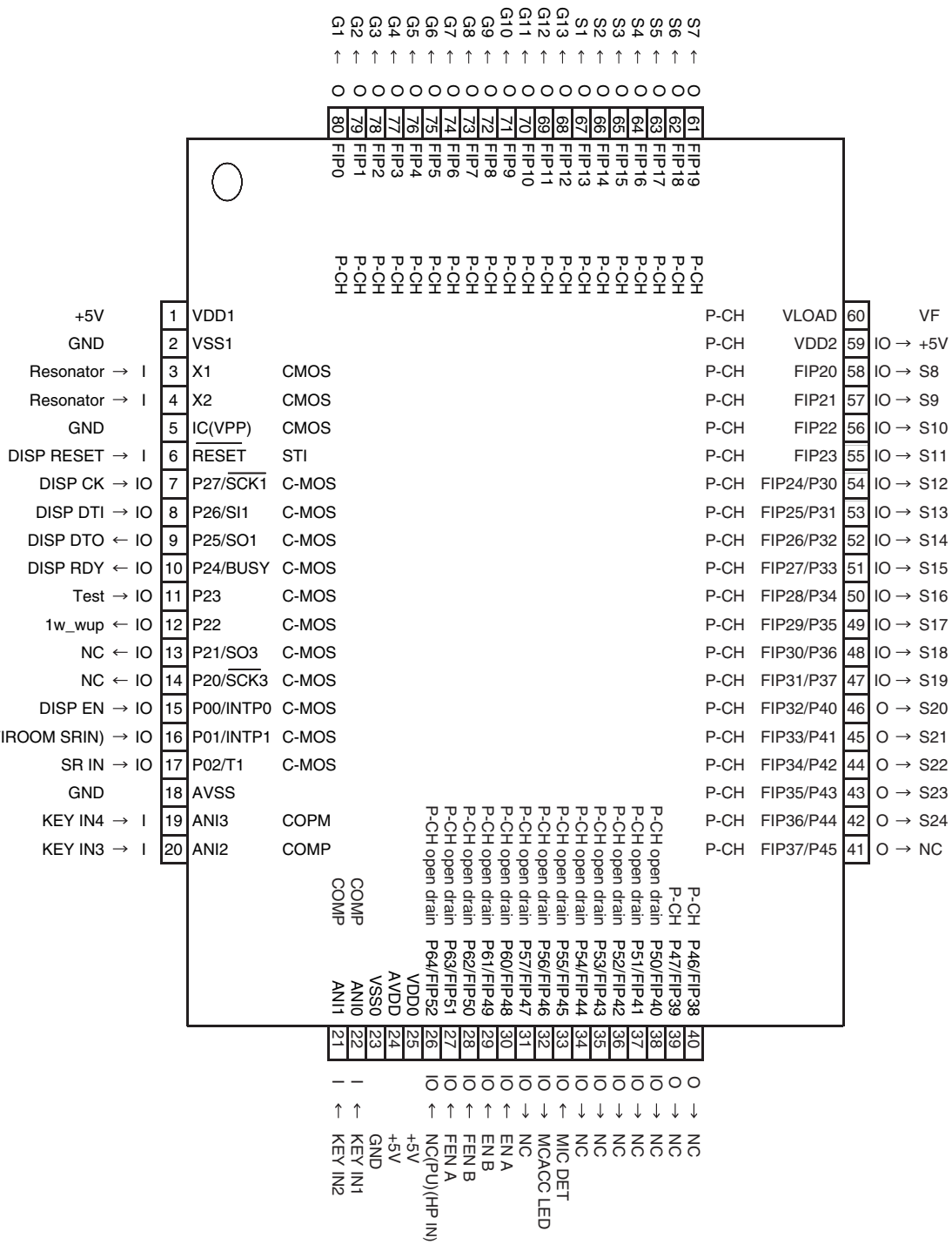
No.	Port	Pin Name	I/O	Pin Function
51	P43	NECK_SEL	I/O	For 8ohm spk impedance: "H at Adv Surr,Standard,5.1Multich,speaker A+B(7ch model). For 6 ohm spk impedance: L
52	P42	NC	I/O	
53	P41	AMUTE	I/O	System mute
54	P40	RY_B	I/O	Speaker B relay-on / OFF at 916, 816 and 516. This RY_B is used for SW relay at 316.
55	P37	RY_C/R	I/O	Rear one / center relay-on / OFF
56	P36	RY_A	I/O	Speaker A relay-on / OFF
57	P35	NC	I/O	
58	P34	RY-AC	I/O	AC relay on/off
59	P33	VIDEO4	I/O	NJM2296 control (VIDEO input select) (SX316 no connect)
60	P32	LOW_CONSUMPTION	I/O	When 1 minutes passed after power off and then go into stop mode and port L, else H.
61	P31	EVR CLK	I/O	Clock signal for Function and E-volume
62	Vcc	5V		
63	P30	EVR DT	I/O	Data signal for Function and E-volume
64	Vss	GND		
65	P27	COMP VIDEO INH	I/O	Component terminal control
66	P26	COMP VideoB	I/O	Component terminal control
67	P25	COMP VideoA	I/O	Component terminal control
68	P24	SWDET	I/O	"H": SW YES, "L": SW NO(SX316 no connect)
69	P23	VIDEO3	I/O	NJM2296 control (VIDEO input select) (SX316 no connect)
70	P22	VIDEO2	I/O	NJM2296 control (VIDEO input select) (SX316 no connect)
71	P21	VIDEO1	I/O	NJM2296 control (VIDEO input select) (SX316 no connect)
72	P20	DC PROTECT	I/O	Amplifier DC detection. H:Normal, L:Abnormal
73	P17	OL DET	I/O	Amplifier overload detection. H:Normal, L:Abnormal
74	P16/INT4	DSP OL	I/O	ANALOG OVER LOAD detect (H : detect)
75	P15/INT3	RDS CLK	I/O	RDS clock in signal
76	P14	RDS DT	I/O	RDS data in signal
77	P13	RDS FM+	I/O	RDS power supply. FM: Low, AM:High
78	P12	NC	I/O	
79	P11	NC	I/O	
80	P10	NC	I/O	
81	P07	TUNER DO	I/O	Data input signal for tuner control
82	P06	TUNER CLK	I/O	Clock signal for tuner control
83	P05	TUNER DI	I/O	Data output signal for tuner control
84	P04	TUNER CE	I/O	Chip select signal for tuner control
85	P03	6 OHM	I/O	if stop mode, port L, else according to setting (J model No connect)
86	P02	NC	I/O	
87	P01	NC	I/O	
88	P00	DECO MUTE	I/O	1st DSP detect port
89	P107/AN7/KI3	XPROTECT	I/O	Power supply abnormal condition detection. H: Normal, L: Abnormal.
90	P106/AN6/KI2	MVRATT	I/O	Master volume ATT control (-15dB or less : L)
91	P105/AN5/KI1	NC	I/O	
92	P104/AN4/KI0	iPod POW	I/O	iPod power supply. H always. When abnormally detecting it, it makes it to L.
93	P103/AN3	NC	I/O	
94	P102/AN2	SIMUKE1	I/O	Input 1 to switch region
95	P101/AN1	SIMUKE2	I/O	Input 2 to switch region
96	AVSS	AVSS		connects with VCC.
97	P100/AN0	HP DET	I/O	HP detection H:detected.
98	VREF	VREF		connects with VCC.
99	AVcc	AVCC		connects with VCC.
100	P97/ADTRG/SIN4	USDAO	I/O	data input from USB

PE5550A (FRONT DISPLAY ASSY : IC401)

• System Control MCU

Pin Arrangement (Top View)

A
B
C
D
E
F



• Pin Function

No.	Port	Pin Name	I/O	Pin Function
1	VDD1	+5V	-	positive power supply
2	VSS1	GND	-	ground potential
3	X1	Resonator	I	crystal connection for system clock oscillation
4	X2	Resonator	-	crystal connection for system clock oscillation
5	IC(VPP)	GND	-	
6	RESET	DISP RESET	I	receive reset signal from main u-com
7	P27/SCK1	DISP CK	I/O	clock signal from main u-com
8	P26/SI1	DISP DTI	I/O	data input from main u-com
9	P25/SO1	DISP DTO	I/O	data out to main u-com
10	P24/BUSY	DISP RDY	I/O	ready signal from main u-com
11	P23	Test	I/O	test mode input for checker
12	P22	1w_wup	I/O	output wakeup signal to main u-com
13	P21/SO3	NC	I/O	
14	P20/SCK3	NC	I/O	
15	P00/INTP0	DISP EN	I/O	enable signal from main u-com
16	P01/INTP1	NC	I/O	
17	P02/T1	SR IN	I/O	remote control signal input from main room
18	AVSS	GND	-	ground potential for A/D converter
19	ANI3	KEY IN4	I	
20	ANI2	KEY IN3	I	
21	ANI1	KEY IN2	I	
22	ANI0	KEY IN1	I	
23	VSS0	GND	-	ground potential for ports
24	AVDD	+5V	-	analog power voltage input to A/D converter
25	VDD0	+5V	-	positive power supply to ports
26	P64/FIP52	NC	I/O	
27	P63/FIP51	FEN A	I/O	MULTI JOG(Right)
28	P62/FIP50	FEN B	I/O	MULTI JOG(Left)
29	P61/FIP49	EN B	I/O	VOLUME JOG1(-)
30	P60/FIP48	EN A	I/O	VOLUME JOG1(+)
31	P57/FIP47	NC	I/O	NC
32	P56/FIP46	MCACC LED	I/O	MCACC LED output
33	P55/FIP45	MIC DET	I/O	MIC detection. L:detected, H:No detect
34	P54/FIP44	NC	I/O	NC
35	P53/FIP43	NC	I/O	NC
36	P52/FIP42	NC	I/O	NC
37	P51/FIP41	NC	I/O	NC
38	P50/FIP40	NC	I/O	NC
39	P47/FIP39	NC	O	NC
40	P46/FIP38	NC	O	NC
41	FIP37/P45	NC	I/O	NC
42	FIP36/P44	S24	O	Display
43	FIP35/P43	S23	O	Display
44	FIP34/P42	S22	O	Display
45	FIP33/P41	S21	O	Display
46	FIP32/P40	S20	O	Display
47	FIP31/P37	S19	O	Display
48	FIP30/P36	S18	O	Display
49	FIP29/P35	S17	O	Display
50	FIP28/P34	S16	O	Display

• Pin Function

A

No.	Port	Pin Name	I/O	Pin Function
51	FIP27/P33	S15	O	Display
52	FIP26/P32	S14	O	Display
53	FIP25/P31	S13	O	Display
54	FIP24/P30	S12	O	Display
55	FIP23	S11	O	Display
56	FIP22	S10	O	Display
57	FIP21	S9	O	Display
58	FIP20	S8	O	Display
59	VDD2	+5V	-	positive power supply to FIP controller.
60	VLOAD	VF	-	pull down resistor connection of FIP controller
61	FIP19	S7	O	Display
62	FIP18	S6	O	Display
63	FIP17	S5	O	Display
64	FIP16	S4	O	Display
65	FIP15	S3	O	Display
66	FIP14	S2	O	Display
67	FIP13	S1	O	Display
68	FIP12	G13	O	Display
69	FIP11	G12	O	Display
70	FIP10	G11	O	Display
71	FIP9	G10	O	Display
72	FIP8	G9	O	Display
73	FIP7	G8	O	Display
74	FIP6	G7	O	Display
75	FIP5	G6	O	Display
76	FIP4	G5	O	Display
77	FIP3	G4	O	Display
78	FIP2	G3	O	Display
79	FIP1	G2	O	Display
80	FIP0	G1	O	Display

B

C

D

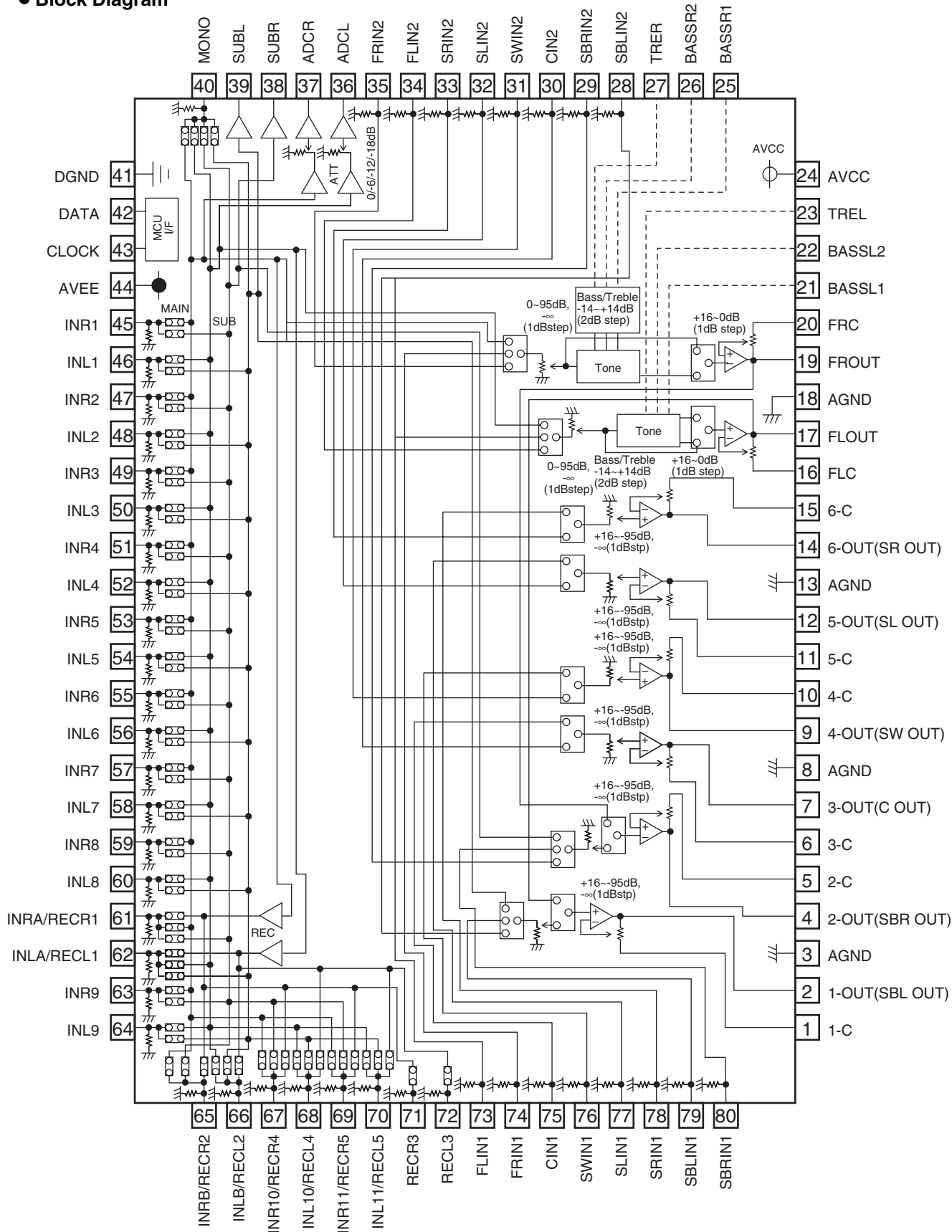
E

F

R2S15205FP (MAIN ASSY : IC108)

• 8ch electronic volume with 11 input selectors and tone control

● Block Diagram



A

● Pin Function

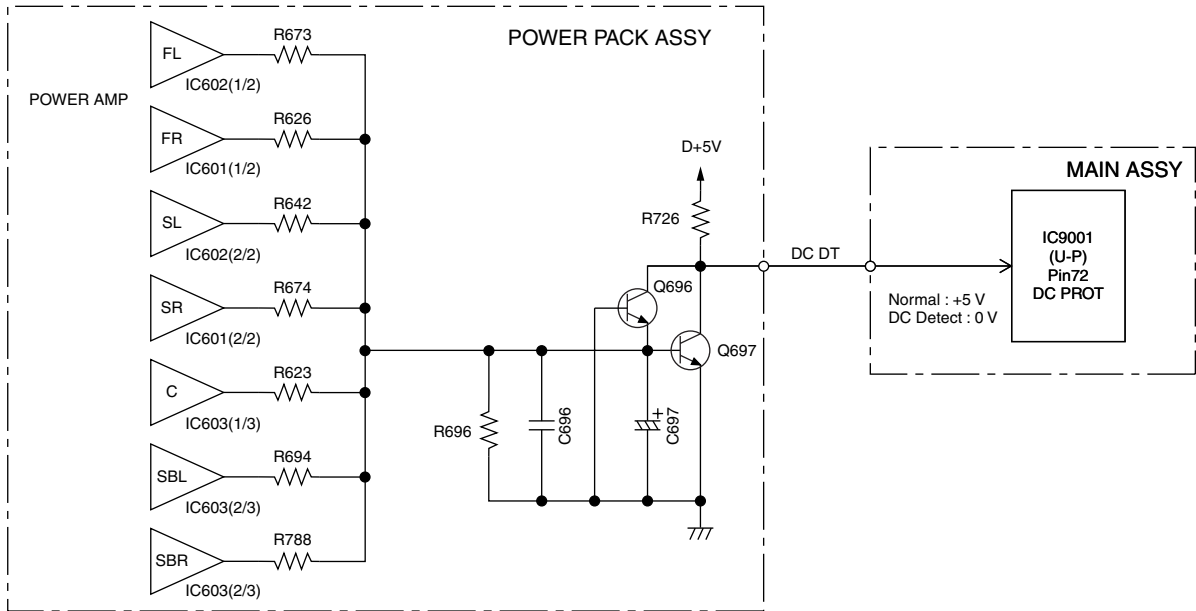
PIN No.	Name	Function
19,17, 14,12, 9,7, 4,2	FROUT,FLOUT, 6-OUT,5-OUT, 4-OUT,3-OUT, 2-OUT,1-OUT	Output pin of FL/FR/C/SW/SL/SR/SBL/SBR channel
20,16, 15,11, 10,6, 5,1	FRC,FLC, 6-C,5-C, 4-C,3-C, 2-C,1-C	Connects capacitor for reducing click noise of L/R/C/SW/SL/SR/SBL/SBR channel volume
3,8, 13,18	AGND	Analog ground of internal circuit
23,27	TREL,TRER	Frequency characteristic setting pin of L/R channel tone control(Treble)
21,22, 25,26	BASSL1,BASSL2, BASSR1,BASSR2,	Frequency characteristic setting pin of L/R channel tone control(Bass)
24	AVCC	Positive power supply to internal circuit
35,34, 33,32, 31,30, 29,28	FRIN2,FLIN2, SRN2,SLIN2, SWN2,CIN2, SBRIN2,SBLIN2,	Input pin of L/R/C/SW/SL/SR/SBL/SBR channel(Multi IN 1/2)
73,74, 75,76, 77,78, 79,80	FLIN1,FRIN1, CIN1,SWIN1, SLIN1SRIN1, SBLIN1,SBRIN1	
41	DGND	Digital ground of internal circuit
42	DATA	Input pin of control data
43	CLOCK	Input pin of control clock
44	AVEE	Negative power supply to internal circuit
46,48,50, 52,54,56, 58,60,64	INL1,INL2,INL3, INL4,INL5,INL6, INL7,INL8,INL9	Input pin of L/R channel(Input Selector)
45,47,49, 51,53,55, 57,59,63	INR1,INR2,INR3, INR4,INR5,INR6, INR7,INR8,INR9	
40	MONO	Input pin of monaural(Input Selector)
38,39	SUBL,SUBR	Output pin for L/R channel SUB Output
36,37	ADCL,ADCR	Output pin for L/R channel ADC
72	RECL3	Output pin for L/R channel REC Output
71	RECR3	
61,62, 65,66, 67,68, 69,70	INRA/RECR1,INLA/RECL1, INRB/RECR2,INLB/RECL2, INR10/RECR4,INL10/RECL4, INR11/RECR5,INL11/RECL5,	Input pin of L/R channel(Input Selector)/ Output pin for L/R channel REC Output

F

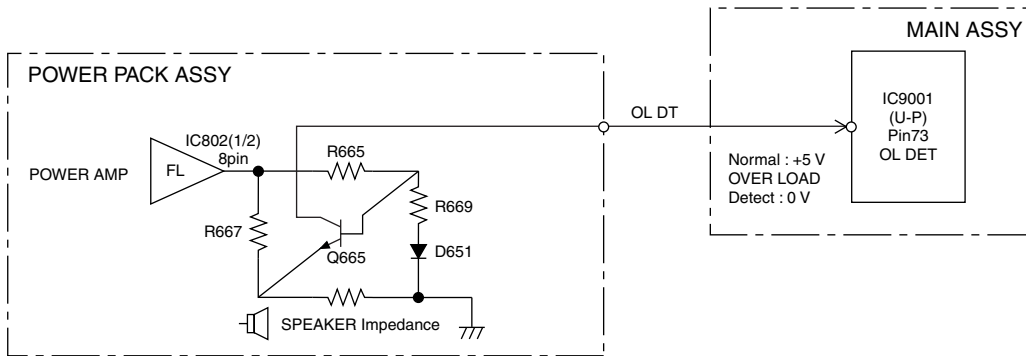
7.3 EXPLANATION

7.3.1 DETECTION CIRCUIT

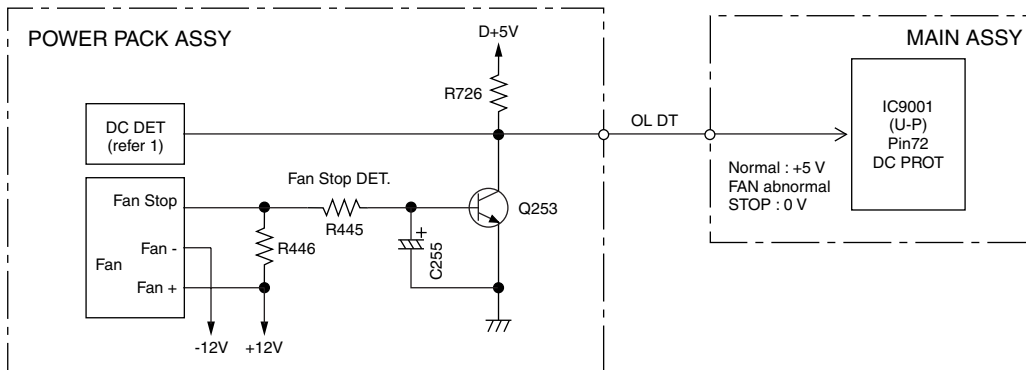
1. DC Derection Circuit Diagram : Example of VSX-816/KUXJ/CA



2. Overload Detection Circuit Diagram: Example of VSX-816/KUXJ/CA FRONT Channel



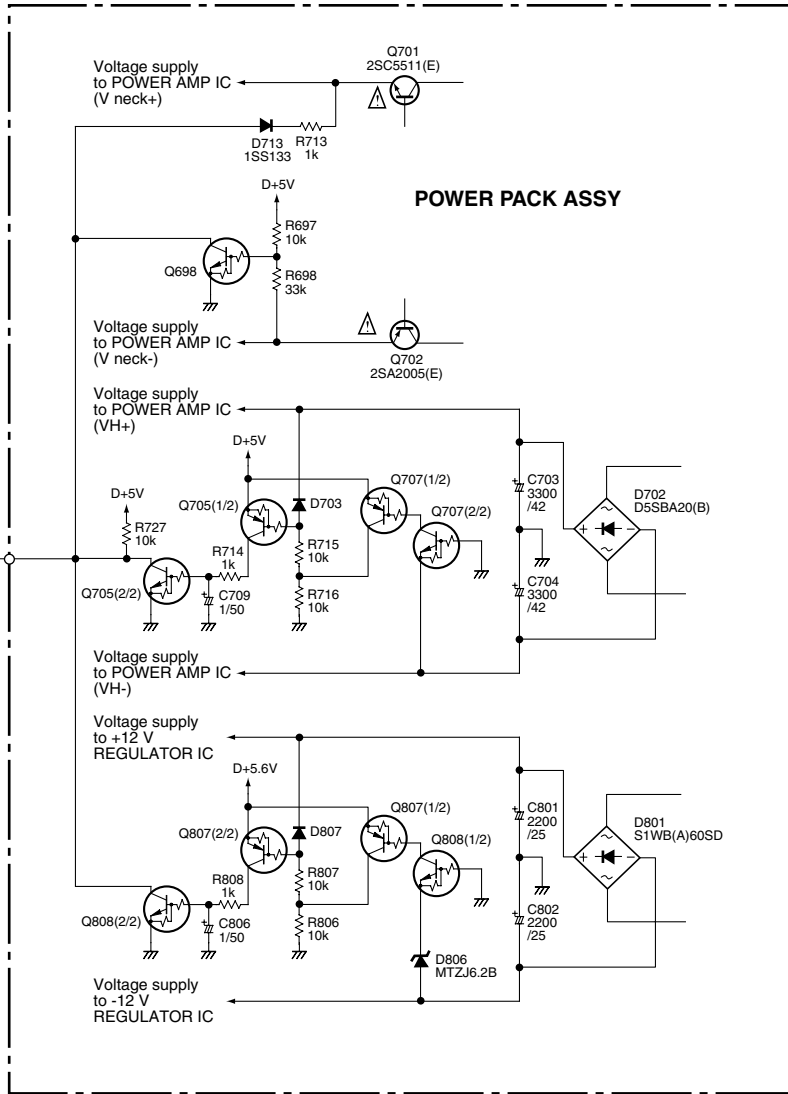
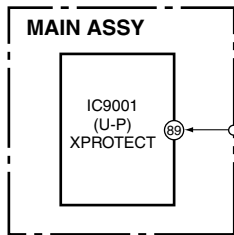
3. Fan Stop Protection Circuit Diagram



4. XPROTECT Detection Circuit Diagram

When below 6 kind of voltage supply become to be short circuit to GND, XPROTECT circuit work and U-P input port voltage change from +5 V to 0 V. The U-P detect this condition as ERROR.

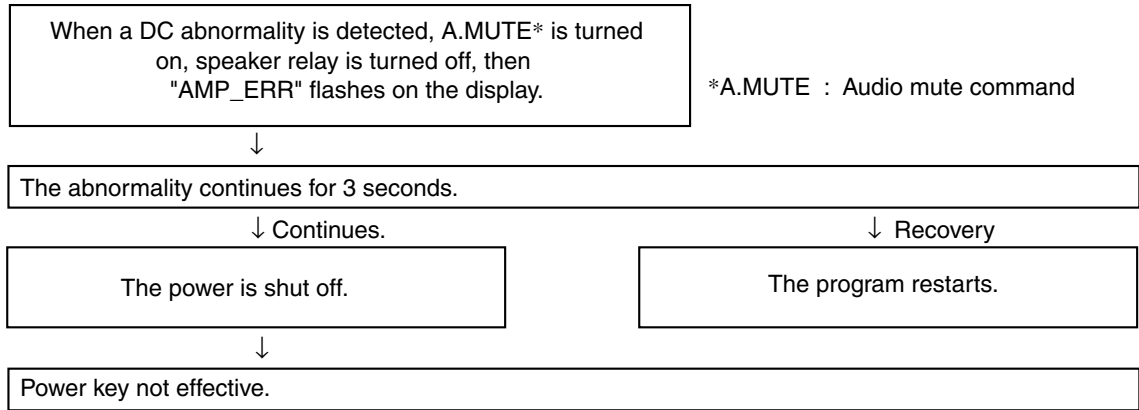
- Voltage supply to POWER AMP IC (V neck+)
- Voltage supply to POWER AMP IC (V neck-)
- Voltage supply to POWER AMP IC (VH+)
- Voltage supply to POWER AMP IC (VH-)
- Voltage supply to +12 V REGULATOR IC
- Voltage supply to -12 V REGULATOR IC



1. DC-abnormality detection

DC detection is only enabled 2 seconds after power-on.
 If there is a fault in the power amplifier or a high-level signal lower than 5 Hz is input, the DC_DET port becomes "L".
 If the "L" is detected, the microprocessor will perform as following flow chart.

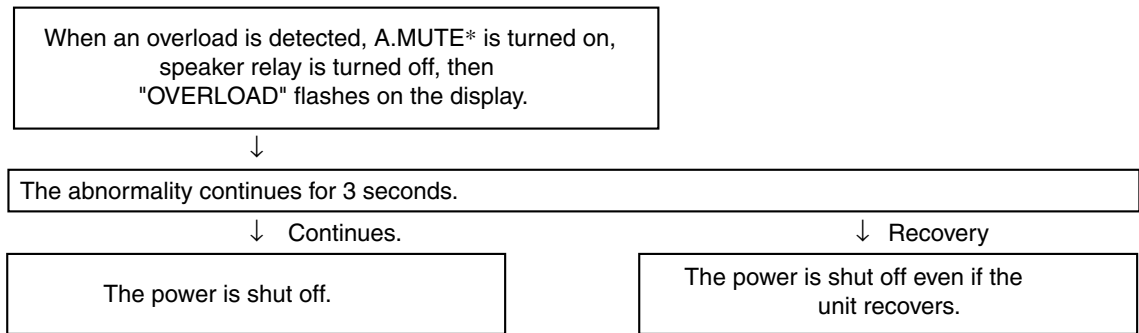
In the case of simultaneous detection with the overload protection circuit, DC-abnormality detection is performed preferentially to overload detection.



However, when the following keys are pushed so that the key input of a line and the service can be carried out, power can be on.
 ① TESTMODE ON (A55F+A55F)
 ② When power off, push FRONT ENTER key + ADVANCED SURROUND key continuously 2sec. (②: When a DC abnormality is detected and the power is shut off.)
 Any other key input from front panel or remote control will not be detected.

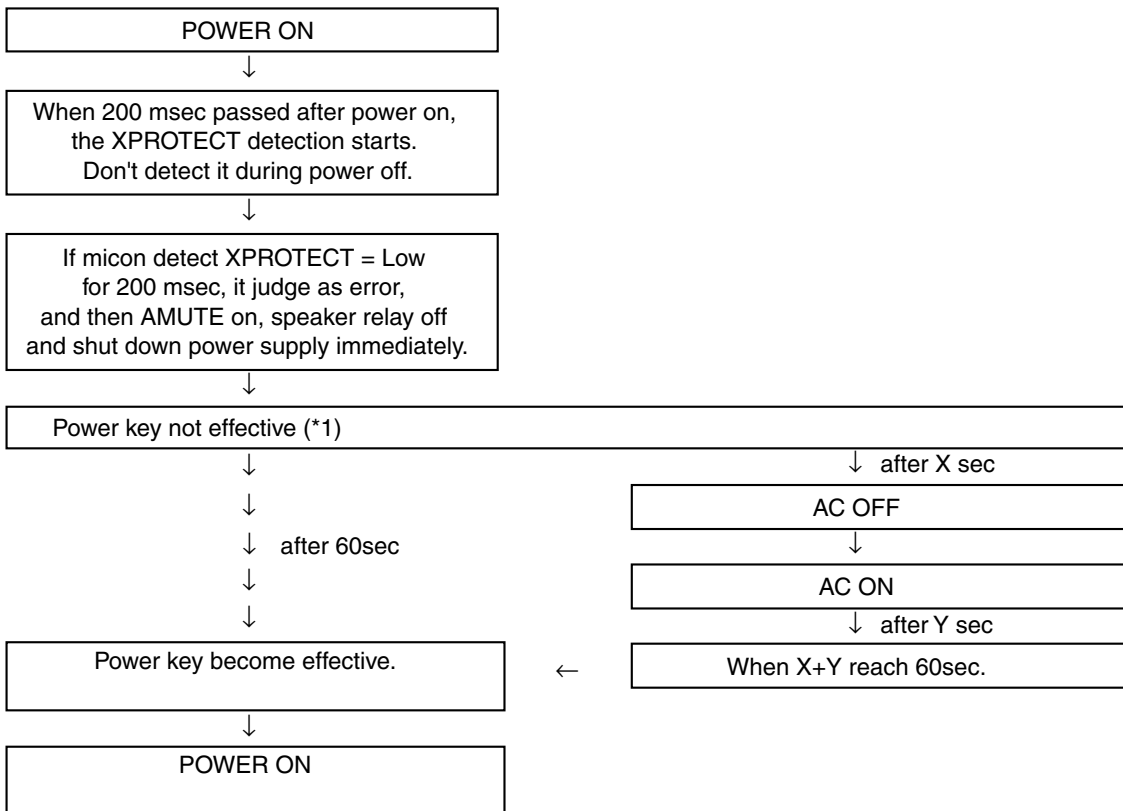
2. Overload detection

If the speaker terminals are short-circuited or low-load driving is detected, the OL_DET port becomes "L".
 If the "L" is detected, the microprocessor will perform as following flow chart.



3. XPROTECT detection

XPROTECT is started to be monitored 200msec after power on.
 XPROTECT port is checked every 20msec.
 If Low level (ERROR) is recognized during consecutive 9 times, micon judge it as XPROTECT ERROR.
 It processes more preferentially than DC abnormal detection and overload detection.

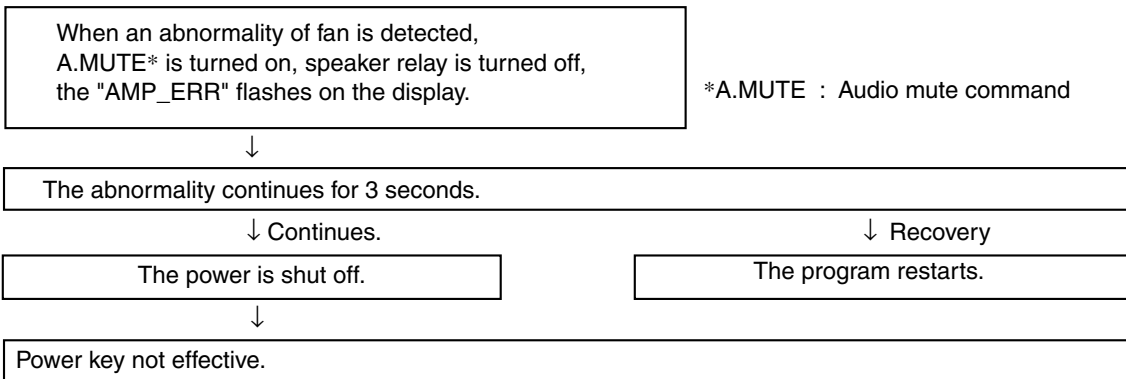


(*1) However, when the following keys are pushed so that the key input of a line and the service can be carried out, power can be on.

- ① TESTMODE ON (A55F+A55F)
 - ② When power off, push FRONT ENTER key + ADVANCED SURROUND key continuously 2sec.
 (Effective, only when power-off is carried out by DC detection / XPROTECT detection)
- Any other key input from front panel or remote control will not be detected.

4. Fan stop detection operation flow in the DC abnormality detection

If the fan is forcibly stopped, the 'DC PROT' port becomes "L". Then an abnormality of fan is detected.



*A.MUTE : Audio mute command

However, when the following keys are pushed so that the key input of a line and the service can be carried out, power can be on.

- ① TESTMODE ON (A55F+A55F)
- ② When power off, push FRONT ENTER key + ADVANCED SURROUND key continuously 2sec.
 (Effective, only when power-off is carried out by DC detection)

7.3.3 AMPLIFIER FAILURE DIAGNOSIS FLOW CHART

■ Amplifier failure diagnosis flow chart

When DC detection is activated ("AMP_ERR" flashes on the display), failure (damage) of the power amplifier section is considered.

As DC detection and fan stop protection circuits commonly use same abnormality detection port in microprocessor, please make sure that the operation of fan motor is in normal condition before proceeding to the troubleshooting of amplifier.

Caution:

When releasing the lock state of power key before repair, please be careful because there is the possibility that more damages will occur when turning on the power once again!

• According to a symptom, perform the following confirmation beforehand.

1) Is the operation of fan motor in normal condition?

↓

2) Are there any Fuses and IC protectors open?

↓

3) After turn on the power, confirm that the supply voltage of the point that can be measured is appropriate. (Particularly the supply voltage of the power Tr and drive step)

↓

4) Whether the voltage of pin3 of IC600, IC601, IC602 or IC603 is equal to (VL-0.7V). If not (eg, equal to VH), then change the corresponding power pack IC600, IC601, IC602 or IC603.

↓

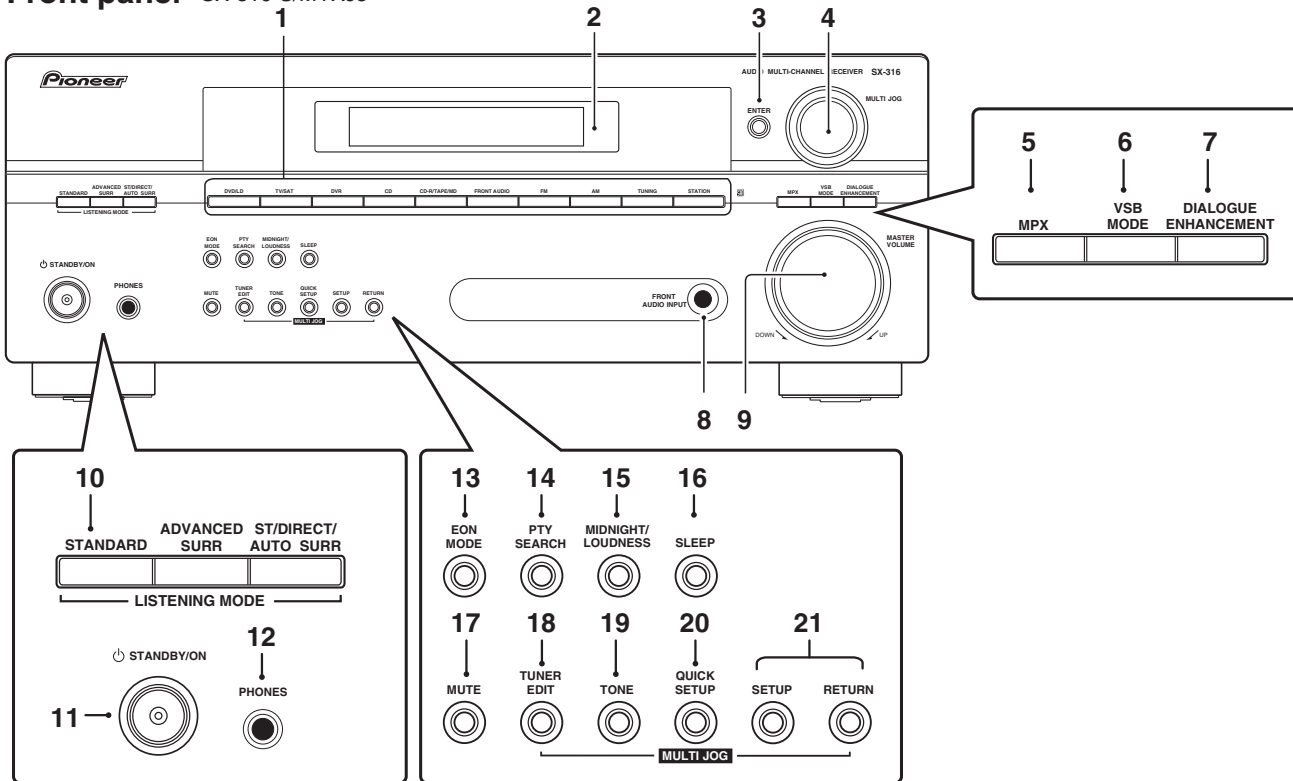
5) Furthermore, check the output DC voltage of each channel of power pack IC600, IC601, IC602 and IC603 to limit the failure channel and identify the defect power pack.

↓

• After identify the failure channel, check that each part is not damaged (resistor, diode... etc. value / open / short)

8. PANEL FACILITIES

Front panel SX-316-S/MYXJ5



1 Input select buttons

Press to select an input source.

2 Character display

3 ENTER

4 MULTI JOG dial

5 MPX

Use to switch between auto stereo and mono reception of FM broadcasts. If the signal is weak then switching to mono will improve the sound quality.

6 VSB MODE

Selects the Virtual Surround Back (VSB) mode.

7 DIALOGUE ENHANCEMENT

This feature localizes dialog in the center channel to make it stand out from other background sounds in a TV or movie soundtrack.

8 FRONT AUDIO INPUT

9 MASTER VOLUME

Use to set the listening volume.

10 LISTENING MODE buttons

STANDARD

Press for Standard decoding and to switch between Pro Logic II options.

ADVANCED SURR

Switches between the various surround modes.

ST/DIRECT/AUTO SURR

Switches between direct and stereo playback. Direct playback bypasses the tone controls for the most accurate reproduction of a source. Also selects the Auto Surround mode (Auto playback).

11 STANDBY/ON

Switches the receiver between standby and on.

12 PHONES jack

13 EON MODE

Use to search for programs that are broadcasting traffic or news information.

14 PTY SEARCH

Use this button to search for RDS program types.

15 MIDNIGHT/LOUDNESS

These features give you good sound at low volume levels when listening to movie (Midnight) or music (Loudness) sources. Press to switch between **MIDNIGHT**, **LOUDNESS**, and **OFF**.

16 SLEEP

Press to change the amount of time before the receiver switches into standby (**30 min - 60 min - 90 min - Off**).

17 MUTE

Mutes/unmutes the sound.

18 TUNER EDIT

Press to memorize and name a station for recall.

19 TONE

Press this button to access the bass and treble controls, which you can then adjust with the **MULTI JOG** dial.

20 QUICK SETUP

21 System Setup menu controls

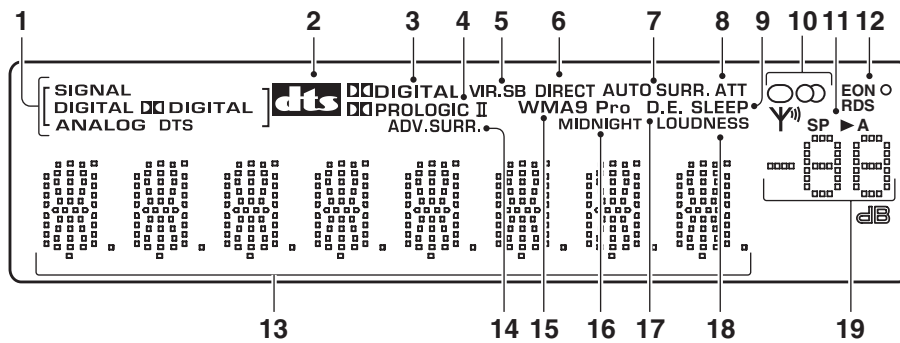
SETUP

Press to access the System Setup menu.

RETURN

Confirm and exit the current menu screen.

Display



1 SIGNAL indicators

Lights to indicate the type of input signal assigned for the current component:

DIGITAL

Lights when a Dolby Digital¹ encoded signal is detected.

ANALOG

Lights when an analog signal is detected.

DTS

Lights when a DTS² encoded audio signal is detected.

DIGITAL

Lights when a digital audio signal is detected.

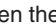
2

When the **STANDARD** mode of the receiver is on, this lights to indicate decoding of a DTS multichannel signal.

3

When the **STANDARD** mode of the receiver is on, this lights to indicate decoding of a Dolby Digital multichannel signal.

4

When the (**STANDARD**) Pro Logic II mode of the receiver is on,  lights to indicate Pro Logic II decoding (see Listening in surround sound for more on this).

5 VIR. SB

Lights during Virtual surround back processing.

6 DIRECT

Lights when source direct playback is in use. Direct playback bypasses the tone controls for the most accurate reproduction of a source.

7 AUTO SURR.

Lights when the Auto Surround feature is switched on (see Auto playback).

8 ATT

Lights when **ANALOG ATT** is used to attenuate (reduce) the level of the analog input signal.

9 SLEEP

Lights when the receiver is in sleep mode.

10 Tuner indicators

/ MONO

Lights when the mono mode is set using the **MPX** button.

/ STEREO

Lights when a stereo FM broadcast is being received in auto stereo mode.

/ TUNED


Lights when a broadcast is being received.

11 Speaker indicator

Shows if the speaker system is on or not. **SP▶A** means the speakers are switched on. **SP▶** means the headphones are connected.

12 EON/RDS indicators

EON

Lights when the EON mode is set, and flashes during an EON broadcast. The  indicator lights when the current station carries the EON service.

RDS

Lights when an RDS broadcast is received.

13 Character display

14 ADV.SURR. (Advanced Surround)

Lights when one of the Advanced Surround modes has been selected.

15 WMA9 Pro

Lights to indicate decoding of a WMA9 Pro signal.

16 MIDNIGHT

Lights during Midnight listening.

17 D.E.

Lights when Dialog Enhancement (**DIALOG E**) is switched on.

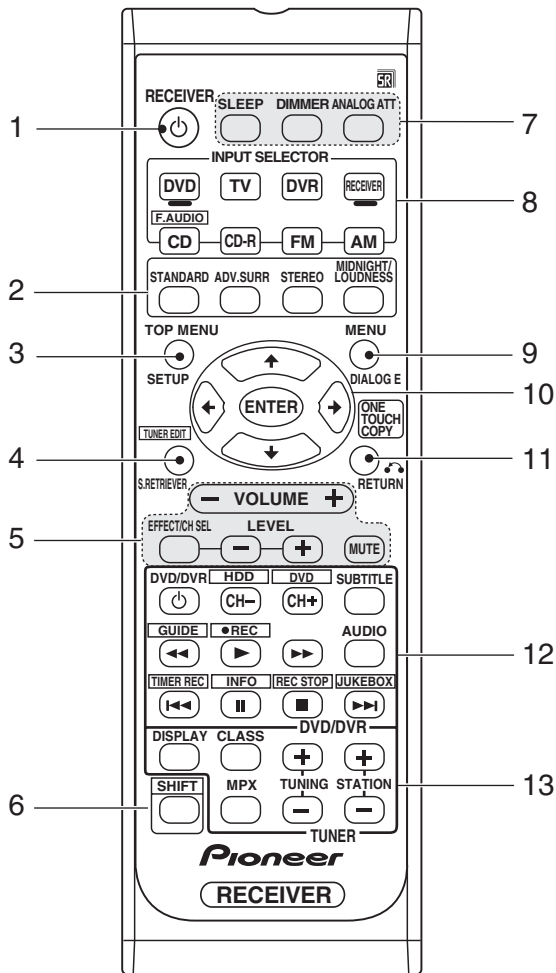
18 LOUDNESS

Lights during Loudness listening.

19 Master volume level

Shows the overall volume level. **---dB** indicates the minimum level, and **- 0 dB** indicates the maximum level.

Remote control SX-316-S/MYXJ5



1 RECEIVER

Switches the receiver between standby and on.

2 Listening mode buttons

STANDARD

Press for Standard decoding and to switch between Pro Logic II options.

ADV.SURR.

Switches between the various surround modes.

STEREO

Switches between direct and stereo playback. Direct playback bypasses the tone controls for the most accurate reproduction of a source. Also selects the Auto Surround mode (Auto playback).

MIDNIGHT/LOUDNESS

These features give you good sound at low volume levels when listening to movie (Midnight) or music (Loudness) sources. Press to switch between **MIDNIGHT**, **LOUDNESS**, and **OFF**.

3 TOP MENU

Displays the disc "top" menu of a DVD disc.

SETUP

Press to access the System Setup menu.

4 TUNER EDIT*

Press to memorize and name a station for recall.

Also functions as the SETUP button for DVD/DVR units.

S. RETRIEVER

Press to restore CD quality sound to compressed audio sources.

5 RECEIVER CONTROL buttons

VOLUME +/-

Use to set the listening volume.

EFFECT/CH SEL

Press repeatedly to select a channel, then use **LEVEL +/-** to adjust the level. Also selects the Advanced Surround effect level (use **LEVEL +/-** to adjust).

LEVEL +/-

Use to adjust the effect and channel levels.

MUTE

Mutes/unmutes the sound.

6 SHIFT

Press to access commands in a rectangle (above the buttons) on the remote. These buttons are marked with an asterisk(*) in this section.

7 SLEEP

Press to change the amount of time before the receiver switches into standby (**30 min - 60 min - 90 min - Off**).

DIMMER

Dims or brightens the display.

ANALOG ATT

Attenuates (lowers) the level of an analog input signal to prevent distortion.

8 INPUT SELECTOR buttons

Press to select an input source (press **DVD/DVR** to use the DVD player/recorder controls on the remote).

RECEIVER

Use to switch to the receiver controls on the remote control. Also used when setting up the surround sound for the receiver.

9 MENU

Displays the disc menu of DVD-Video discs.

DIALOG E

This feature localizes dialog in the center channel to make it stand out from other background sounds in a TV or movie soundtrack.

10 ↑↓←→ / ENTER

11 RETURN






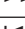



Confirm and exit the current menu screen.

ONE TOUCH COPY*

Copies the currently playing title from DVD to HDD or vice-versa.

12 DVD/DVR control buttons

You can use these buttons to control a Pioneer DVD player or recorder connected to your system.(press **DVD/DVR** to access the below controls).

Button	What it does
DVD/DVR 	Turns DVD player or DVD recorder power on/off.
AUDIO	Changes the audio language or channel.
SUBTITLE	Displays/changes the subtitles on multilingual DVD-Video discs.
CH +/-	Switches channels.
	Starts/resumes normal playback.
	Pauses/unpauses a disc.
	Stops playback.
	Press to start fast reverse scanning.
	Press to start fast forward scanning.
	Skips to the start of the current track or chapter, then previous tracks/chapters.
	Skips to the next track or chapter.
HDD/DVD*	Switch between the hard disk and DVD controls for DVD/HDD recorders.
GUIDE*	Displays the guides on a DVD recorder.
 REC*	Starts recording.
TIMER REC*	Accesses the timer recording menu.
INFO*	Displays additional EPG information.
REC STOP*	Stops recording.
JUKEBOX*	Switches to the Jukebox feature.
TUNER EDIT*	Press to access the SETUP menu .

13 TUNER controls

The **TUNING +/-** buttons can be used to find radio frequencies and the **STATION +/-** buttons can be used to select preset radio stations.

DISPLAY

Switch the display between station preset name, frequency (see tip on) and RDS data.

CLASS

Switches between the three banks (classes) of station presets.

MPX

Use to switch between auto stereo and mono reception of FM broadcasts. If the signal is weak then switching to mono will improve the sound quality.

About the WMA9 Pro decoder

This unit has an on-board Windows Media® Audio 9 Professional (WMA9 Pro) decoder, so it is possible to playback WMA9 Pro-encoded audio using a coaxial or optical digital connection when connected to a WMA9 Pro-compatible player. However, the connected DVD player, set-top box, etc. must be able to output WMA9 Pro format audio signals through a coaxial or optical digital output.



Microsoft, Windows Media®, and the Windows logo are trademarks, or registered trademarks of Microsoft Corporation in the United States and/or other countries.

CLEANING



A

Before shipping out the product, be sure to clean the following positions by using the prescribed cleaning tools:

Position to be cleaned	Cleaning tools
Fans	Cleaning paper : GED-008

B

C

D

E

F