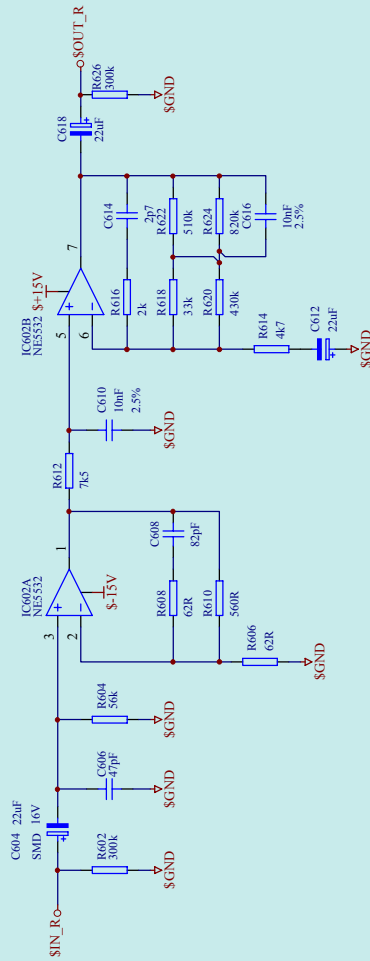
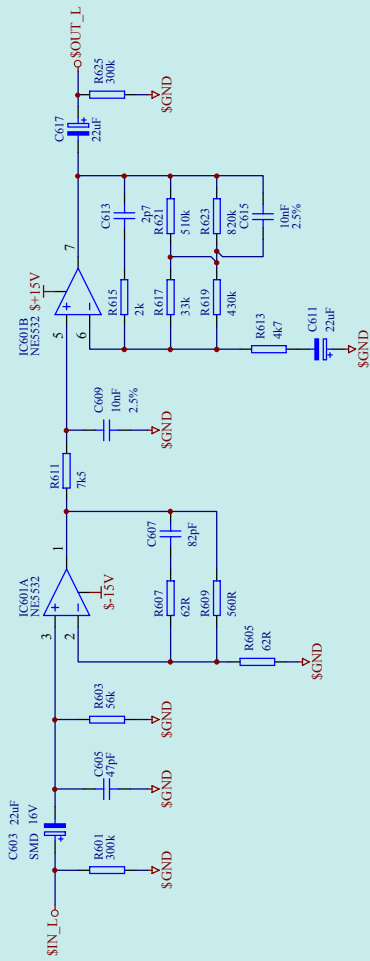
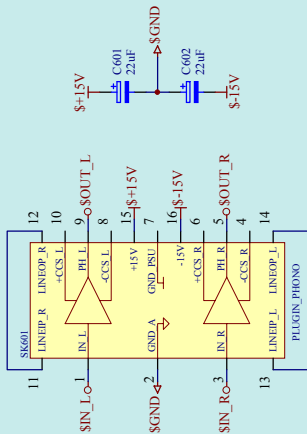
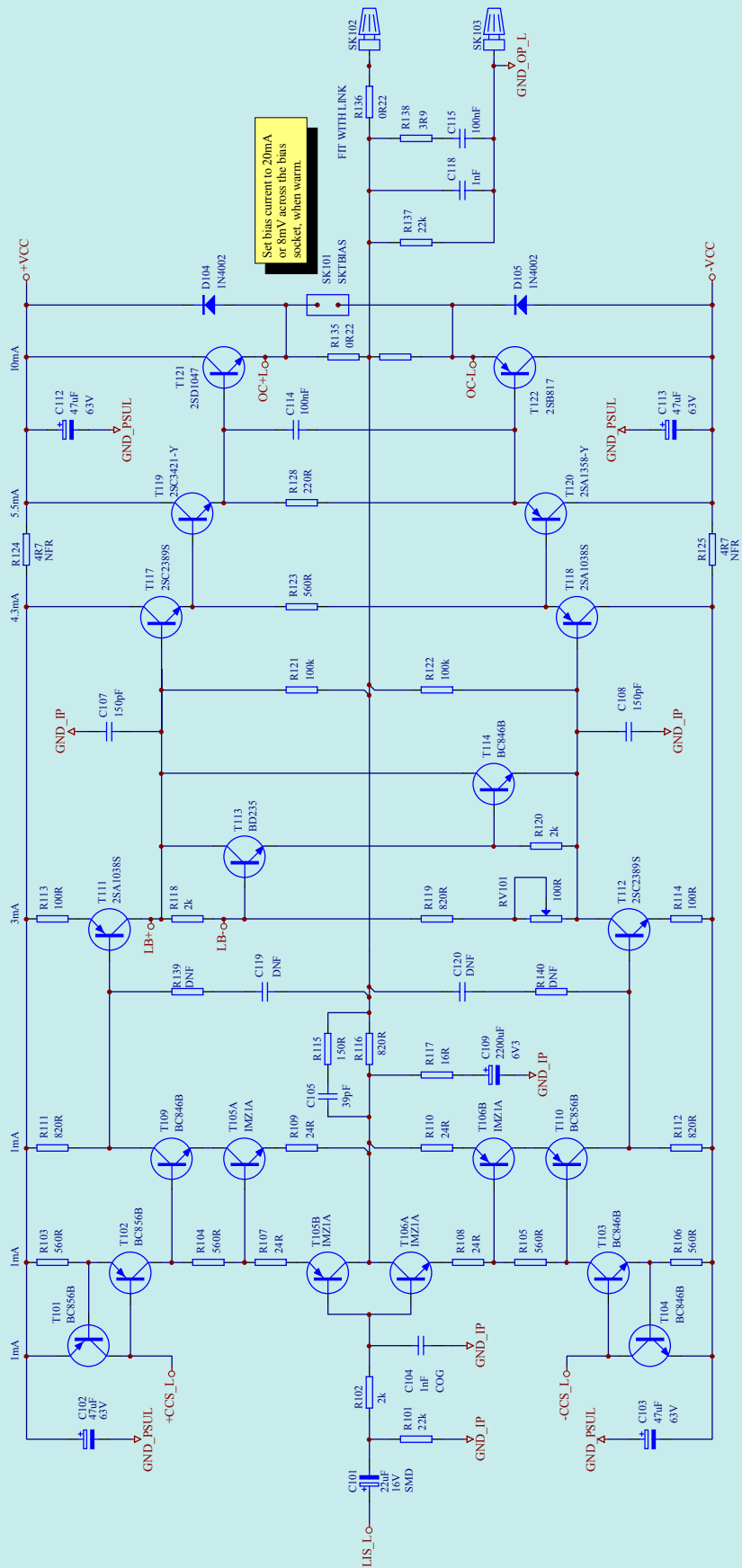


- Q501 Q502 Q503 Q504 Q505 Q506 Q507 Q508
- MOUNTING HOLES

CYRUS
 Cyrus III i (HAZZ)
 Moving magnet
 Phono stage
 Input Sens = 2.75mV
 Freq Resp =
 RIAA +/-0.2dB





CYRUS
 Cyrus III i (HA7Z)
 Gain = 52.25AV=34.36dB
 Freq Resp = 20KHz
 4.5Hz to 79KHz

CYRUS
 Cyrus III i (HA7Z)
 Gain = 52.25AV=34.36dB
 Freq Resp = 5KHz
 4.5Hz to 79KHz

