



Nakamichi

Service Manual

Nakamichi 420 power amplifier



420



CONTENTS

1. General	2
2. Principle of Operation	3
2.1. Power Supply	3
2.2. Power Block Pre-stage	3
2.3. Power Block Output Stage	4
3. Removal Procedures	6
3.1. Top Cover Ass'y	6
3.2. Power Block Ass'y	6
3.3. Front Panel Ass'y, Lamp and Thermostat	6
3.4. Transformer, Capacitors etc.	6
3.5. 2P Pin Jack and Push Terminal	6
4. Readjustment of Power Block	7
5. Mechanism Ass'y and Parts List	8
5.1. Synthesis	8
5.2. Mechanism Ass'y (A01)	8
5.3. Front Panel Ass'y (A02)	9
5.4. Rear Panel Ass'y (A03)	10
5.5. Rear Panel Sub-ass'y (B01)	10
6. Mounting Diagrams and Parts List	11
6.1. Power Block Ass'y	11
6.1.1. Power Block P.C.B. Ass'y	11
6.2. Output P.C.B. Ass'y	11
7. Wiring Diagram	13
8. Performance Data	14
9. Block Diagram	15
10. Schematic Diagram	16
11. Bridging Adaptor BA-100 (Option)	17
12. Specifications	18

1. GENERAL

Nakamichi 420 control functions are shown below.



Fig. 1.1

- 1. Power Indicator Pilot Light
- 2. AC Power Cord
- 3. Voltage Selector
- 4. Output Terminals
- 5. Input Jacks

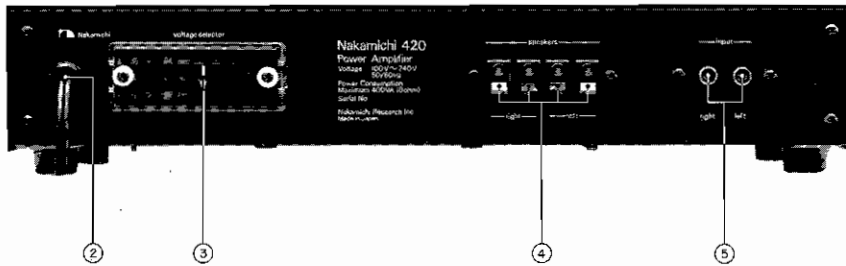


Fig. 1.2

Cautions

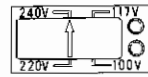
The Nakamichi 420 incorporates large capacitances. It is very dangerous to access the capacitor for a duration of about 3 minutes after the power switch has been turned off because of incomplete discharging. Use extreme care when accessing the capacitor for repair purposes.

Never short the capacitor terminals with a screwdriver or a similar tool after the power switch is turned off, with an attempt to discharging the capacitor. (Shorting the terminal in such a way can melt the shorted point leading to a hole, and will give adverse effects on the capacitor itself.)

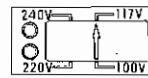
The recommended way to discharge the capacitor as quickly as possible is to turn off the power supply with sound emitting through the loudspeaker or to discharge the capacitor with resistances of 100Ω – 300Ω, approx. 20W.

Voltage Selector

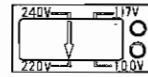
Change over either to 100V, 117V, 220V, or 240V.



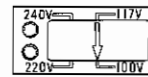
240V



117V



220V



100V

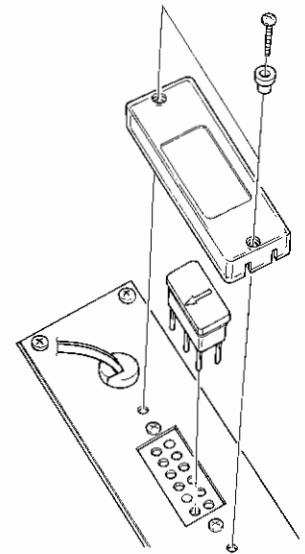


Fig. 1.3

2. PRINCIPLE OF OPERATION

2.1. Power Supply

Refer to Fig. 2.1.

The 420 has a thermostat in the power transformer primary circuit to prevent overheating of the system that may lead to a fire. If the heat sink of the 420 is heated to reach a temperature of approx. 85°C, the thermostat will open to interrupt the power supply to the system. When the temperature decreases to below approx. 65°C, the thermostat will be automatically reclosed.

Note: Keep the power cord off the system until the thermostat restores to normal.

A 147°C 2A thermal fuse is contained within the transformer and protects it from unusual heating.

If the fuse is blown, it is necessary to replace the transformer itself.

2.2. Power Block Pre-stage

Refer to Fig. 2.2.

As all the output stage consists of emitter-followers, the voltage gain is 1. Therefore, the gain required for power amplifier and NFB is obtained at the pre-stage. Generally, an increase in the number of transistor stages of an amplifier circuit increases distortion and phase shift. In large current amplification as seen with a power amplifier, a certain extent of distortion cannot be avoided and should be limited through use of NFB. However, excessive NFB is likely to cause unstable amplification as a result of phase shift in the amplifier or differences in loudspeaker impedance. This is one of the drawbacks inherent to an NFB amplifier.

The power amplifier used in the 420 employs 8 transistors, of which only two serve for voltage amplification and the remaining six are used to provide the former two with the best operating conditions. A gain of approx. 100dB is obtained through these two transistors to perform power amplification and NFB. The amplifier of this configuration assures stable NFB with low noise and low distortion and with little phase shift.

Q001 and Q007 are for voltage amplification; Q002 and Q003 form a current mirror circuit (the same current at both collectors); Q005 and Q008 provide a constant-current source; Q006 is for impedance conversion (emitter-follower); Q004 and Q001 make up a differential amplifier circuit. Thus, stable NFB is applied through a circuitry using these transistors.

C005 determines the high-band characteristic of the voltage amplifier to prevent NFB from becoming unstable because of unbalanced performance. R016 is a resistor for NFB.

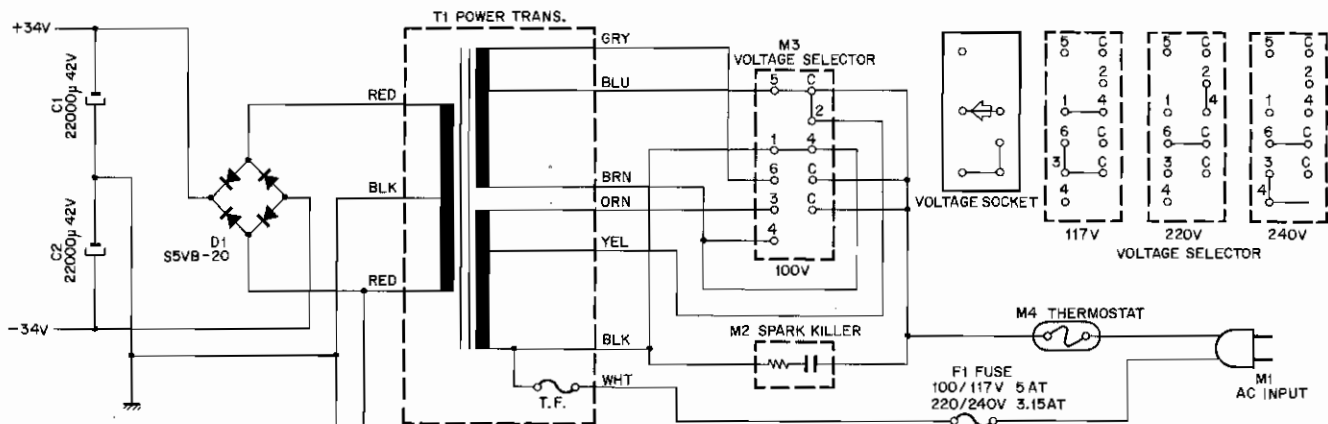


Fig. 2.1

2.3. Power Block Output Stage

In the Nakamichi 420 for making a bias voltage, varistor used in the conventional design of amplifier is replaced with transistor base-emitter so that the 420 design improves bias stability (against temperature or current changes) with lower distortion.

Especially for a class B push-pull amplifier, distortion cannot be reduced unless the positive and negative signal amplifiers are well balanced. The amplifier in the 420, however, is best balanced thanks to the vertically and horizontally symmetric configuration as shown in Fig. 2.3. This circuit allows distortion of only 0.1% at 1KHz 50 watts output even without NFB. This degree of distortion is low enough to make the amplifier used as a high-fidelity unit even if it is given no NFB.

Fig. 2.4 shows that a change in current flowing across the diode varies the terminal voltage and that E_b changes with signal current. These changes result in the generation of distortion. It is a matter of course that signal current flowing across the diode will produce distortion. See Fig. 2.3. Transistors Q009, Q011, Q010 and Q012 that generate bias voltage form an emitter-follower circuit of class A operation. Thus this circuit does not induce distorted signals.

Unless corrected perfectly against temperatures, the bias voltage of power amplifiers in the class B amplifier will increase distortion at low temperature or become unstable at high temperature. It may safely be said that temperature compensation of a transistor can be more properly and effectively carried out by the transistor of the same structure than a diode.

For an ordinary class B amplifier, crossover distortion is reduced by increasing idling current thus overlapping the operating ranges of the positive and negative transistors. The overlap portion acts as a class A amplifier. Generally, the degree of amplification decreases where a change takes place from class A to B and no linear curve is obtained as shown in Fig. 2.5 (A). However, if the circuit shown in Fig. 2.3 is current-driven, a linear curve can be obtained at the point of change from class A to B as shown in Fig. 2.5 (B).

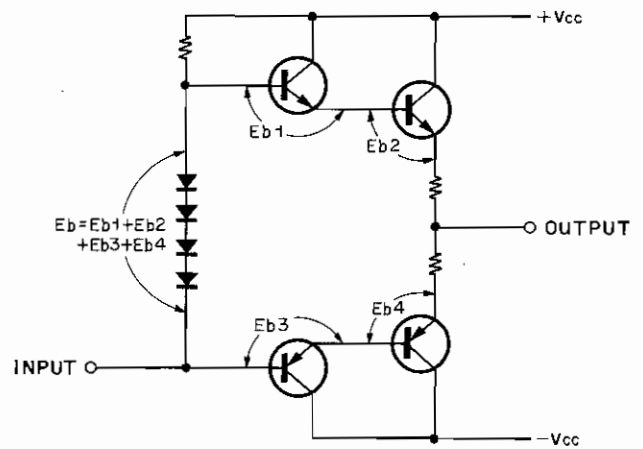


Fig. 2.4

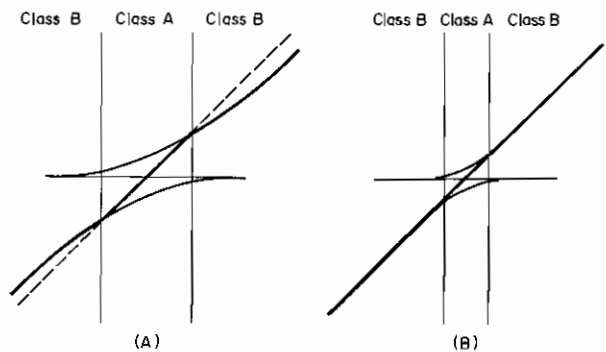


Fig. 2.5

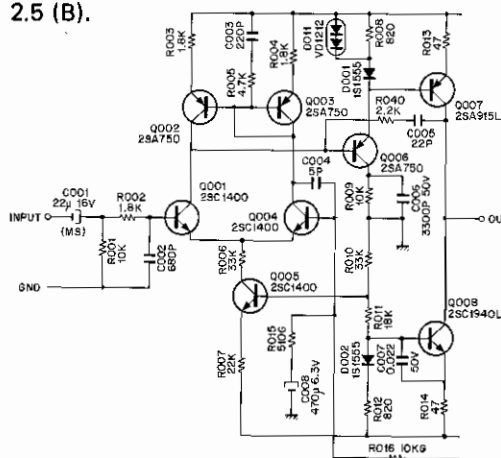


Fig. 2.2

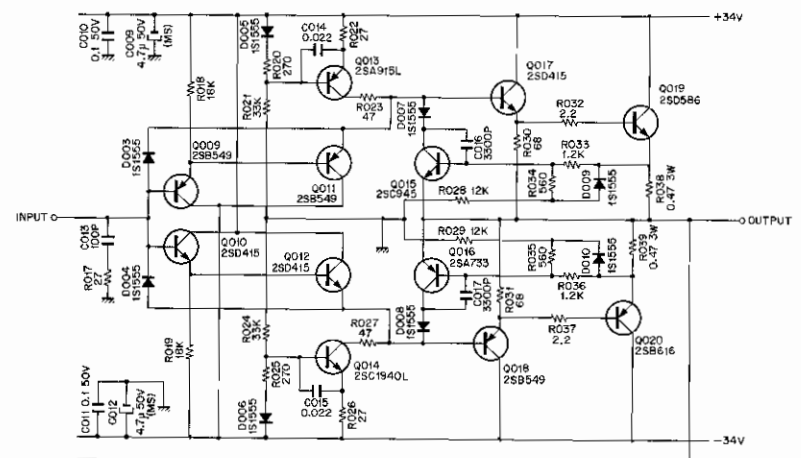


Fig. 2.3

Fig. 2.6 illustrates a simplified version of the circuit shown in Fig. 2.3.

Since the direct-coupled two-stage emitter-followers can be regarded to be one emitter-follower having greater current amplification, the Q009–Q011, Q010–Q012, Q017–Q019, and Q018–Q020 will be designated respectively to be Q1, Q2, Q3 and Q4 as shown in Fig. 2.6.

When i_d is applied with the input used as current-source, i_1 and i_2 are given as follows because of the Q1 and Q2 input impedances:

$$\begin{aligned} \text{Input impedance of Q1} & \quad \beta_1 (\beta_3 r_1 + r_3) \\ \text{Input impedance of Q2} & \quad \beta_2 (\beta_4 r_2 + r_4) \end{aligned}$$

Therefore;

$$i_1 = \frac{\beta_2 (\beta_4 r_2 + r_4)}{\beta_1 (\beta_3 r_1 + r_3) + \beta_2 (\beta_4 r_2 + r_4)} i_d$$

$$i_2 = \frac{\beta_1 (\beta_3 r_1 + r_3)}{\beta_1 (\beta_3 r_1 + r_3) + \beta_2 (\beta_4 r_2 + r_4)} i_d$$

$$\begin{aligned} i_o &= i_3 + i_4 = \beta_1 \beta_3 i_1 + \beta_2 \beta_4 i_2 \\ &= \frac{\beta_1 \beta_2 \beta_3 (\beta_4 r_2 + r_4) + \beta_1 \beta_2 \beta_4 (\beta_3 r_1 + r_3)}{\beta_1 (\beta_3 r_1 + r_3) + \beta_2 (\beta_4 r_2 + r_4)} i_d \\ &= \frac{\beta_1 \beta_2 \beta_3 \beta_4 \{ (r_2 + r_4/\beta_4) + (r_1 + r_3/\beta_3) \}}{\beta_1 \beta_3 (r_1 + r_3/\beta_3) + \beta_2 \beta_4 (r_2 + r_4/\beta_4)} i_d \end{aligned}$$

If β of the Q₁–Q₃ pair is equal to that of the Q₂–Q₄ pair, then $\beta_1 \beta_3 = \beta_2 \beta_4$ (assumed as β_0).

The following equation will be obtained:

$$\begin{aligned} i_o &= \frac{\beta_0^2 \{ (r_2 + r_4/\beta_4) + (r_1 + r_3/\beta_3) \}}{\beta_0 \{ (r_1 + r_3/\beta_3) + (r_2 + r_4/\beta_4) \}} i_d \\ &= \beta_0 i_d \end{aligned}$$

As a result, the same gain is obtained over the entire range as shown in Fig. 2.7.

Thus, the rate of current amplification in the idling current range (Class A) is quite the same as that in the class B amplifier. It must be noted, however, that the idling current is not included in the conditions for making the equation valid. In other words, a change in idling current will neither change the linearity of curves nor produce distortion.

Q013 and Q014 form a constant-current source; D005 and D006 are for temperature compensation; D003 and D004 prevent reverse-biased voltage from being applied in abnormal state; Q015 and Q016 form a current limiter that prevents overloading on the power transistor.

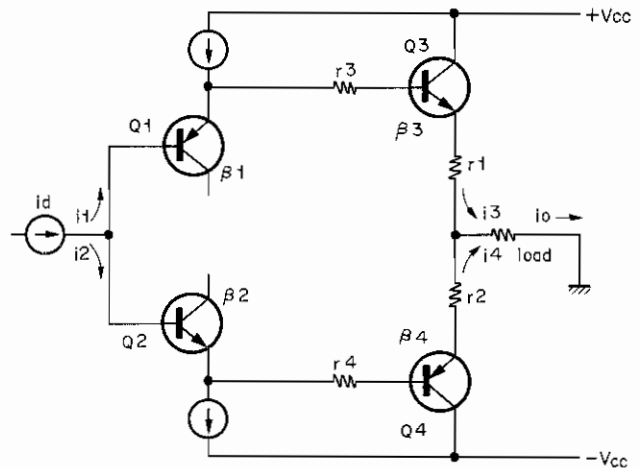


Fig. 2.6

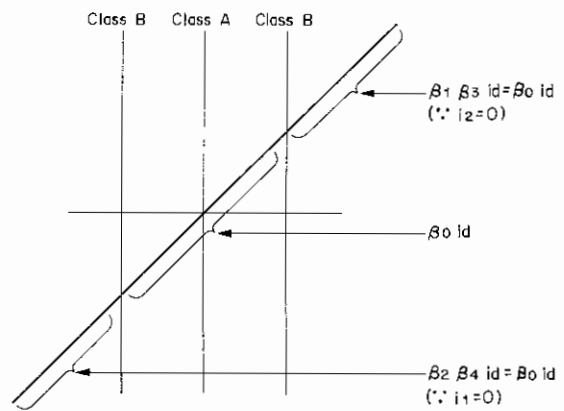


Fig. 2.7

3. REMOVAL PROCEDURES

3.1. Top Cover Ass'y

Refer to Fig. 3.1 and remove F01 then remove F02 (top cover ass'y) by sliding in the indicated direction.

3.2. Power Block Ass'y

Remove top cover ass'y (item 3.1). Refer to Fig. 3.2 and remove F01 and F03, then F02 and F04 (power block ass'y).

3.3. Front Panel Ass'y, Lamp and Thermostat

Remove top cover ass'y (3.1). Refer to Fig. 3.3 and remove F01 and F02 (front panel ass'y), F03, F04 (lamp holder) and F05 (lamp), then F06 and F07 (thermostat).

3.4. Transformer, Capacitors etc.

Remove top cover ass'y (3.1). Refer to Fig. 3.4 and remove F01 and F02 (transformer), F03, F04, F05 and F06 (capacitors), F08 and F09 (rectifier bridge), F10 (fuse), F12 and F13 (fuse holder), F14 and F15 (3P terminal), then F16 and F17 (output P.C.B. ass'y).

3.5. 2P Pin Jack and Push Terminal

Remove top cover ass'y (3.1). Refer to Fig. 3.5 and remove F01, F02, F03 (earth lug) and F04 (2P pin jack), then F05, F06 (push terminal holder) and F07 (push terminal).

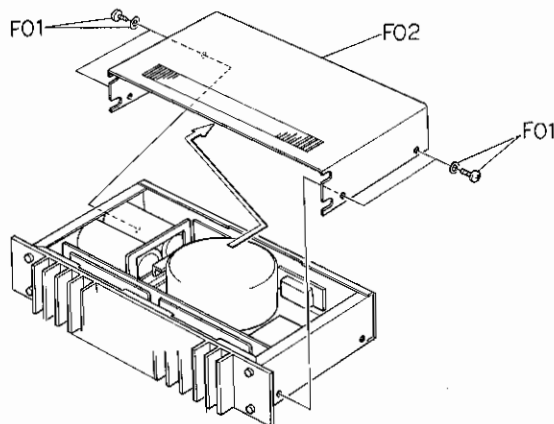


Fig. 3.1

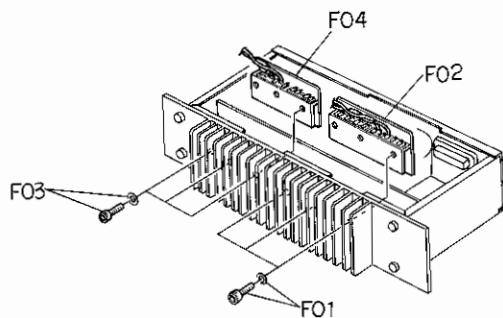


Fig. 3.2

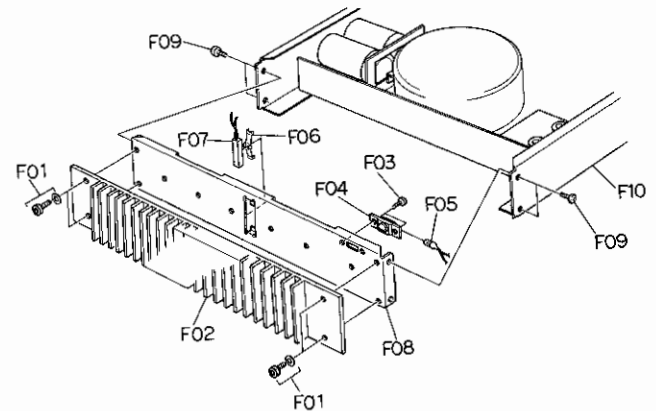


Fig. 3.3

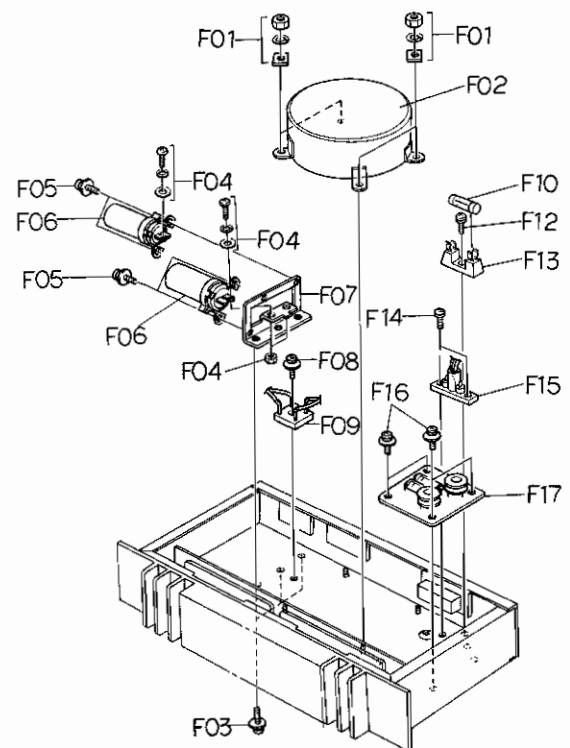


Fig. 3.4

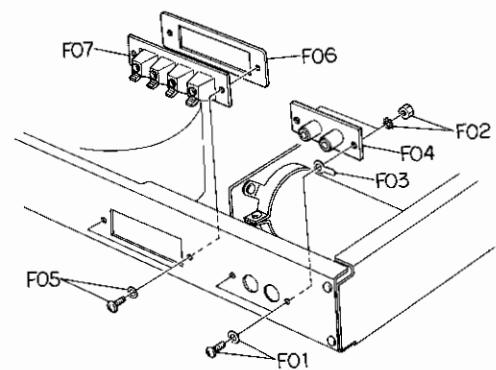


Fig. 3.5

4. READJUSTMENT OF POWER BLOCK

The 420 uses no semi-fixed parts to enhance reliability. As long as all parts meet the specification, the published characteristics can be obtained without readjustment. Generally, no readjustment is required if only defective parts are replaced at repair.

Observe the following precautions when repairing defective parts:

- 4.1. Relocating a wiring can cause larger distortion. Do not relocate the wiring.
- 4.2. Fully tighten or retighten the screws on the chassis to decrease the resistance between GND terminals.
- 4.3. It must be noted that an incompletely soldered fuse in the output P.C.B. assembly will cause higher distortion.
- 4.4. Loudspeaker cords must be securely connected to the output terminals. A loose cord-to-terminal connection may cause poor contacting and, as a result, higher distortion.

4.5. If a new semiconductor is installed in the power block, a perfect balance should be held between it and the existing semiconductors in the block. An imperfect balance can cause larger distortion or unwanted oscillation.

To maintain a good balance, connect an 8Ω 50W load resistance to the output terminal, measure distortion and check that it meets the following requirements: (In this case, the residual distortion factor of the instrument should be lower than the specified value.)

- (1) Output 1 watt, 1 and 10 KHz input signals; less than 0.008%
- (2) Output 50 watts, 1 and 10 KHz input signals; less than 0.00B%

Note: Following semiconductors are used as a pair.

Q009·Q011 – Q010·Q012

Q017·Q019 – Q018·Q020

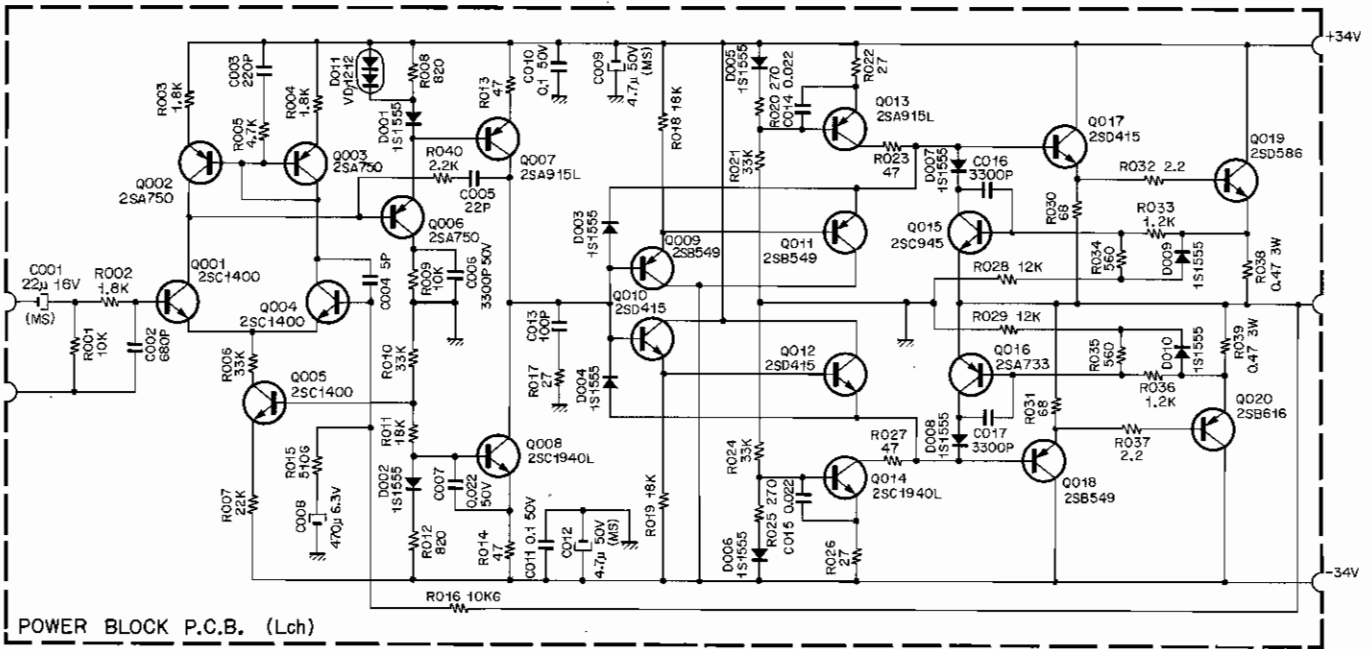


Fig. 4

5. MECHANISM ASS'Y AND PARTS LIST

5.1. Synthesis

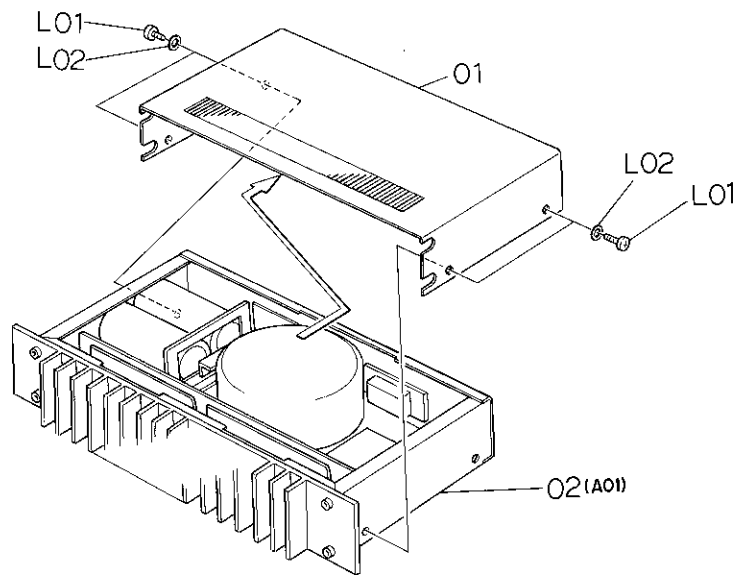


Fig. 5.1

5.2. Mechanism Ass'y (A01)

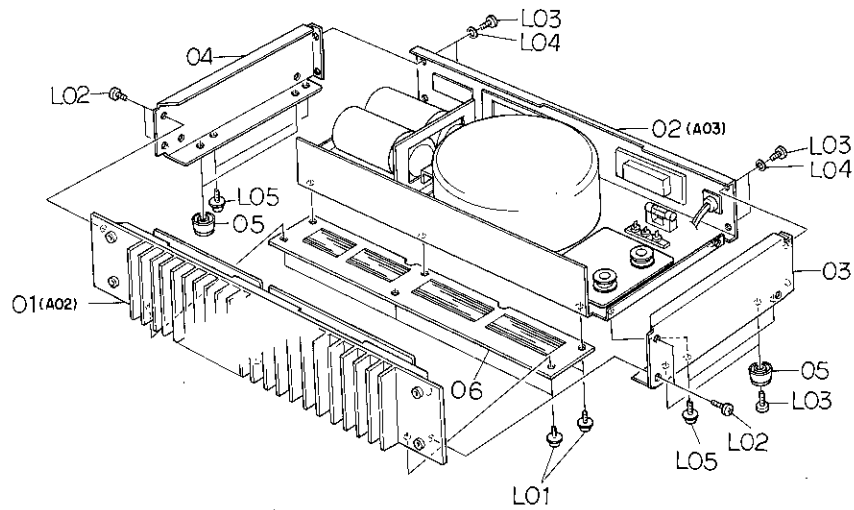


Fig. 5.2

Schematic Ref. No.	Part No.	Description	Q'ty	Schematic Ref. No.	Part No.	Description	Q'ty
		Synthesis		02	JA03139A	Rear Panel Ass'y	1
01	HA03695A	Top Cover Ass'y	1	03	OJ03562A	Side Chassis R	1
	0H03470B	Top Cover	1	04	OJ03563A	Side Chassis L	1
	OJ03579A	Blind Hemilor	1	05	OJ03564A	Foot T-H	4
	OJ03580A	Top Cover Hemilor	1	06	OJ03565A	Rear Cover	1
02		Mechanism Ass'y	1	L01	0E00606A	Screw M3x6 Philips Pan Head (3A)	6
L01	0E00593A	Screw M3x6 Philips Binding Head (Bronze)	4	L02	0E00738A	Screw M4x6 Philips Binding Head (Bronze)	4
L02	0E00157A	Washer 3mm (Plastics)	4	L03	0E00594A	Screw M3x8 Philips Binding Head (Bronze)	8
A01		Mechanism Ass'y	1	L04	0E00197A	Washer 3mm (Bronze)	4
01	HA03686A	Front Panel Ass'y	1	L05	0E00607A	Screw M3x8 Philips Pan Head (3A)	4

5.3. Front Panel Ass'y (A02)

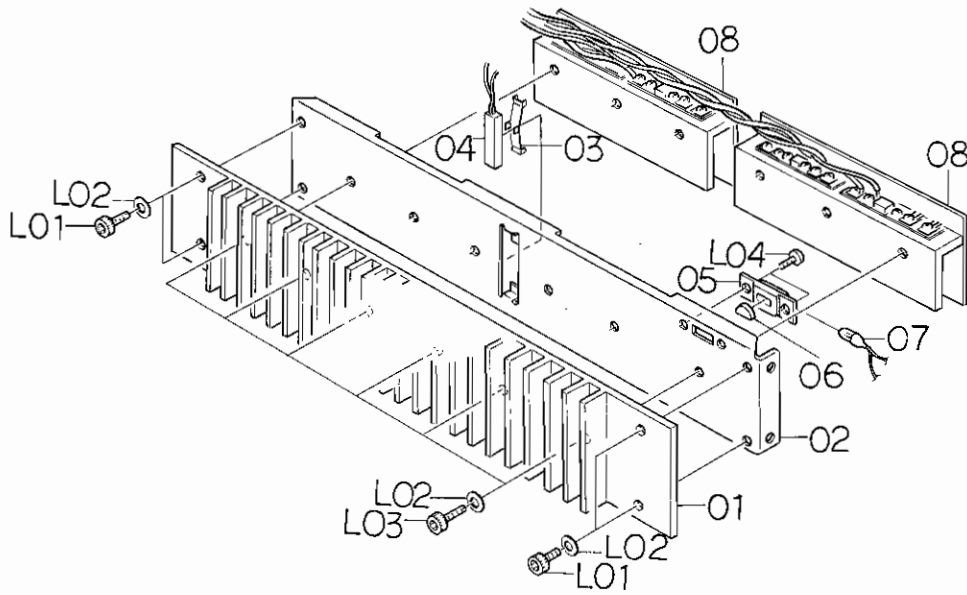


Fig. 5.3

Schematic Ref. No.	Part No.	Description	Q'ty	Schematic Ref. No.	Part No.	Description	Q'ty
A02	HA03686A	Front Panel Ass'y	1	L04	0E00606A	Screw M3x6 Philips Pan Head (3A)	11
01	0H03469C	Front Panel	1	L05	0E00659A	Screw M3x10 Philips Pan Head	2
	0H03468C	Power Indicator	1	L06	0E00723A	Washer 3mm Spring	2
02	0J03566B	Front Chassis	1	L07	0E00732A	Washer 3mm	2
03	0J03567B	Thermostat Holder	1	L08	0E00612A	Screw M3x6 Philips Pan Head (2A)	1
04	0B08338A	Thermostat	1	L09	0E00510A	Screw M3x8 Philips Pan Head (2A)	2
05	0J03568A	Lamp Holder	1	L10	0E00610A	Screw M3x12 Philips Pan Head (3A)	1
06	0H03467A	Lamp Filter (Orange)	1	L11	0E00718A	Nut Hex. M3	2
07	0J03570A	Lamp 16V 40mA	1				
08	JA03140A	Power Block Ass'y	2				
L01	0E00745A	Screw M4x10 Hex. Socket Head	4	B01		Rear Panel Sub-ass'y	1
L02	0J03556A	Washer 4mm	10	01	JA03138A	Main Chassis	1
L03	0E00733A	Screw M4x12 Hex. Socket Head	6	02	0B03900U	Power Cord	1
L04	0E00649A	Screw M3x4 Philips Truss Head (Bronze)	2	03	0B08037U	Cord Bushing	1
				04	0A03154B	Cord Spacer	1
A03	JA03138A	Rear Panel Ass'y	1	05	0B03877U	Voltage Selector Socket	1
01		Rear Panel Sub-ass'y	1	06	0H03335A	Voltage Selector Cover SO	1
02	0B06553U	Power Transformer	1	07	0H03334B	Acrylic Cover	1
03	0J03576A	Capacitor Holder	1	08	0B08240U	Spark Killer	1
04	0B05908A	Electrolytic Capacitor 22000µF 42V	2	09	0B08233U	Push Terminal	1
05	0B0610BA	Rectifier Bridge S5VB-20	1	10	0J03502A	Push Terminal Holder	1
06	0B08282U	Fuse 5A (Time Lag) (100, 117V)	1	11	0B03072A	2P Pin Jack	1
06	0B08281U	Fuse 3.15A (Time Lag) (220, 240V)	1	L01	0E00594A	Screw M3x8 Philips Binding Head (Bronze)	4
07	0B08310U	Fuse Holder	1	L02	0E00157A	Washer 3mm (Plastics)	6
08	0B08024U	3P Terminal	1	L03	0E00037A	Earth Lug B-5	1
09	BA03812A	Output P.C.B. Ass'y	1	L04	0E00172A	Washer 3mm Toothed Lock	4
	0J03634A	Isolation Spacer	1	L05	0E00507A	Nut Hex. M3	4
L01	0E00513A	Nut Hex. M5	4	L06	0E00590A	Screw M3x12 Philips Pan Head (Bronze)	2
L02	0E00709A	Washer 5mm Spring	4	L07	0E00591A	Screw M3x20 Philips Pan Head (Bronze)	2
L03	0J03511A	Transformer Holder Washer	4	L08	0H03366A	Washer for Voltage Selector Cover	2

5.4. Rear Panel Ass'y (A03)

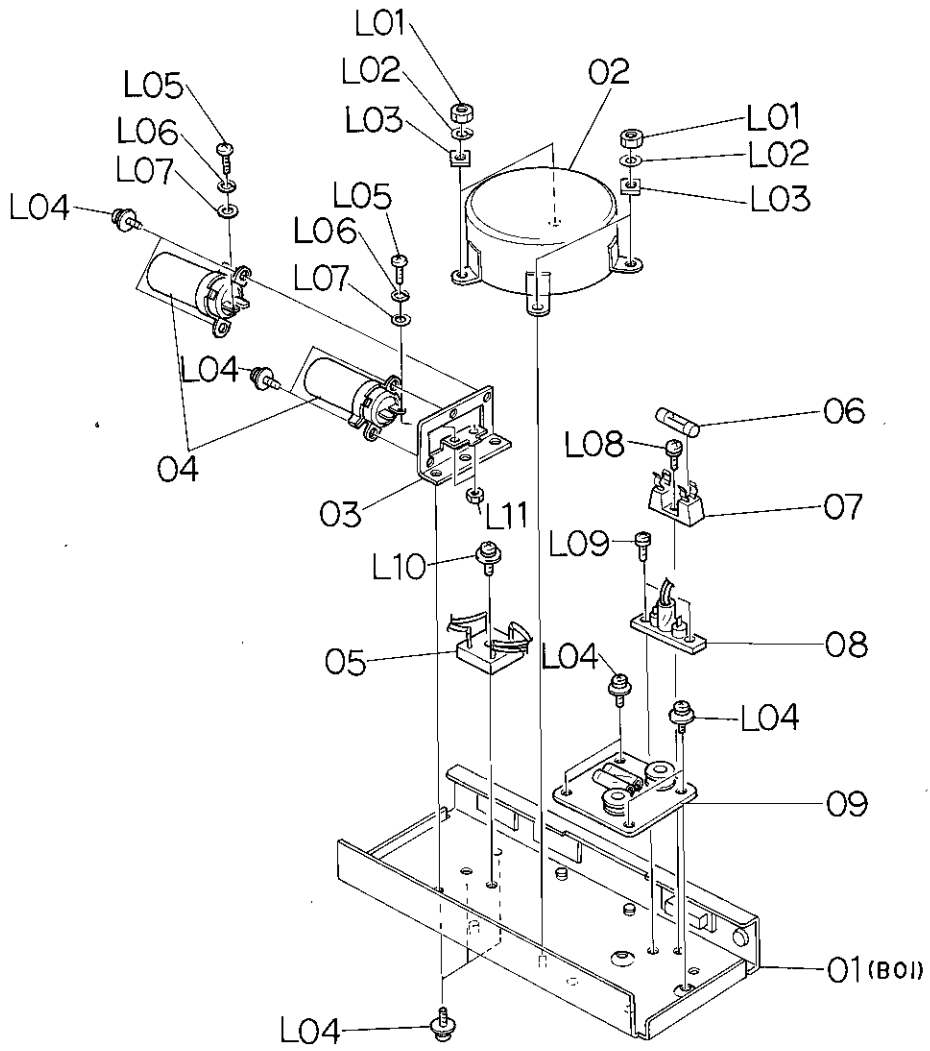


Fig. 5.4

5.5. Rear Panel Sub-ass'y (B01)

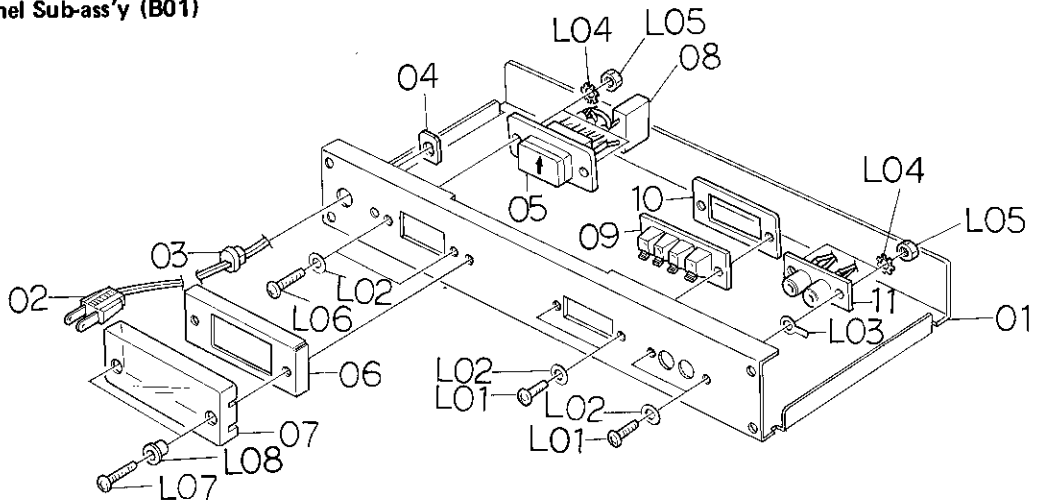


Fig. 5.5

6. MOUNTING DIAGRAMS AND PARTS LIST

Note: Mounting diagram shows a dip side view of the printed circuit board.

6.1. Power Block Ass'y

6.1.1. Power Block P.C.B. Ass'y

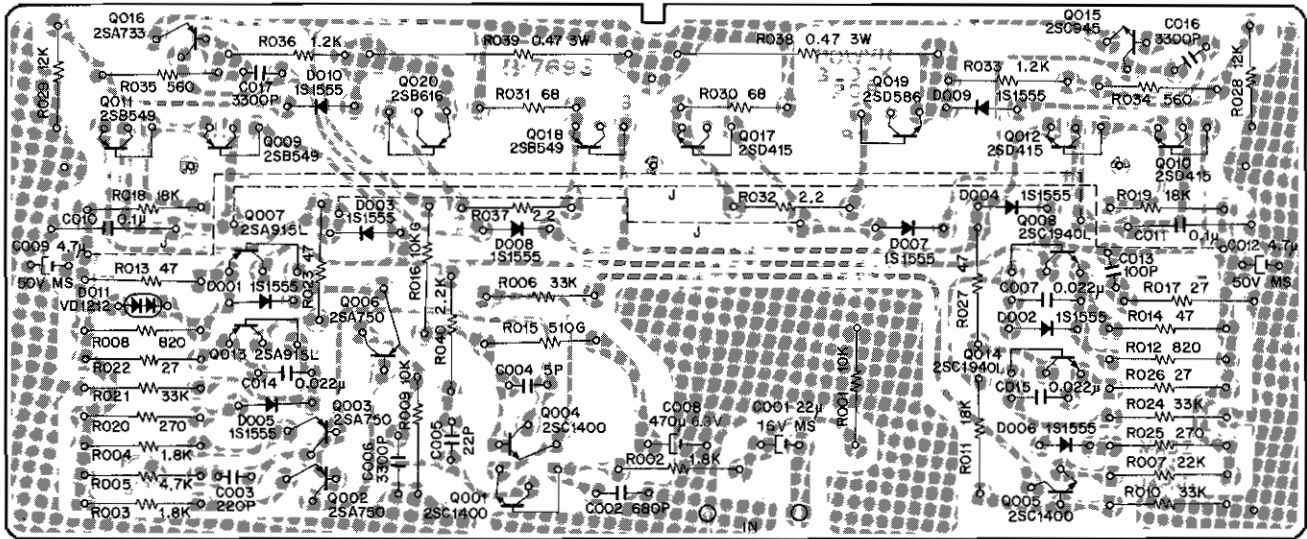


Fig. 6.1

Note: Diode FDH-999 is compatible with 1S1555.

6.2. Output P.C.B. Ass'y

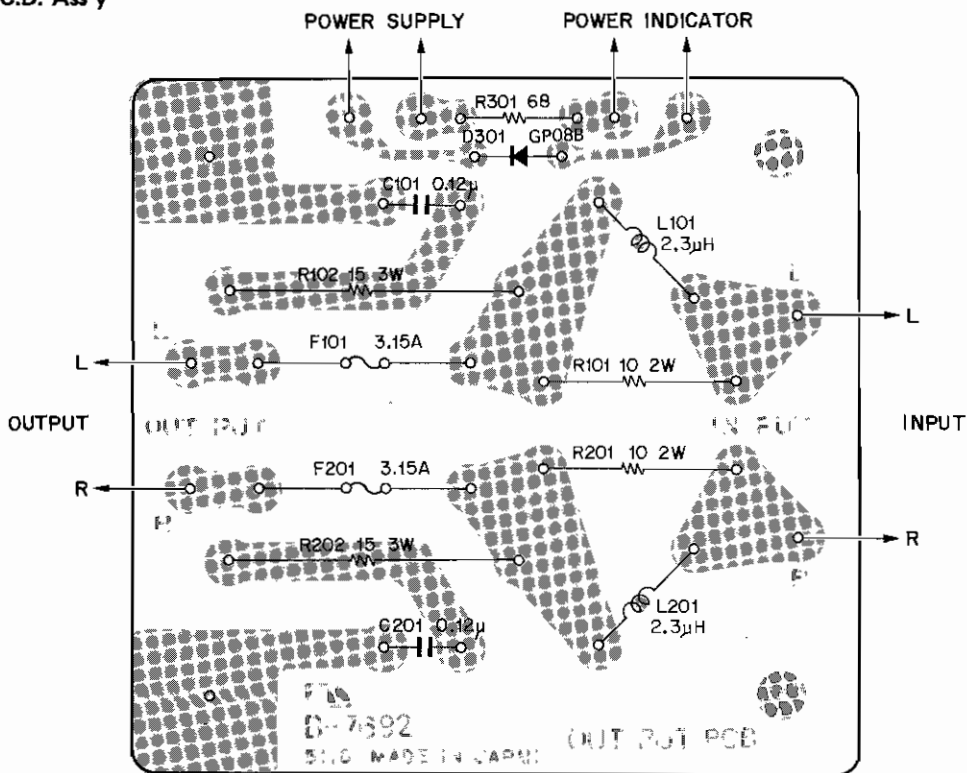


Fig. 6.2

Schematic Ref. No.	Part No.	Description	Schematic Ref. No.	Part No.	Description
	JA03140A	Power Block Ass'y	R040	0B05622A	Carbon Resistor 2.2K ERD-14 TJ
	BA03811A	Power Block P.C.B. Ass'y	C001	0B05820A	Electrolytic Capacitor 22 μ 16V M(MS)
	0J03572A	Heat Sink 420	C002	0B05893A	Ceramic Capacitor 680P 50V K
	0J03560A	Spring Pin (2 pcs.)	C003	0B05879A	Ceramic Capacitor 220P 50V K
	0E00231A	Screw M2.6x8 Philips Pan Head FT (3 pcs.)	C004	0B05905A	Ceramic Capacitor 5P 50V K
	0J03494A	Transistor Bushing (10 pcs.)	C005	0B05806A	Ceramic Capacitor 22P 50V K
	0J03573A	Transistor Plate (2 pcs.)	C006, 016	0B05881A	Ceramic Capacitor 3300P 50V M
	0J03574A	Transistor R Holder (1 pce.)	017		
	0J03575A	Transistor L Holder (1 pce.)	C007, 014	0B05882A	Ceramic Capacitor 0.022 μ 50V M
	0E00722A	Screw M3x12 Philips Pan Head (10 pcs.)	015		
	0E00732A	Washer 3mm (8 pcs.)	C008	0B05842A	Electrolytic Capacitor 470 μ 6.3V
	0E00723A	Washer 3mm Spring (10 pcs.)	C009, 012	0B05904A	Electrolytic Capacitor 4.7 μ 50V M(MS)
	BA03811A	Power Block P.C.B. Ass'y	C010, 011	0B01356A	Ceramic Capacitor 0.1 μ 50V M
	0B07693A	Power Block P.C.B.	C013	0B05892A	Ceramic Capacitor 100P 50V K
Q001, 004 005	0B06078A	Transistor 2SC1400		BA03812A	Output P.C.B. Ass'y
Q002, 003 006	0B06074A	Transistor 2SA750		0B07692A	Output P.C.B.
Q007, 013	0B06102A	Transistor 2SA915 (L)	D301	0B06109A	Silicon Diode GP08B
Q008, 014	0B06101A	Transistor 2SC1940 (L)	L101, 201	BA03784A	Output Coil Ass'y 2.3 μ H
Q009, 011 018	0B06103A	Transistor 2SB549	R101, 201	0B05906A	Metal Film Resistor 10 ERX-2AN
Q010, 012 017	0B06104A	Transistor 2SD415	R102, 202	0B05907A	Metal Film Resistor 15 ERX-3AN
Q015	0B06100A	Transistor 2SC945 (A)	R301	0B01704A	Carbon Resistor 68 ERD-14 TJ
Q016	0B06013A	Transistor 2SA733	C101, 201	0B01772A	Mylar Capacitor 0.12 μ 50V K
Q019	0B06106A	Transistor 2SD586 (A)	F101, 201	0B08278A	Fuse 3.15A
Q020	0B06105A	Transistor 2SB616 (A)			
D001, 002 003, 004 005, 006 007, 008 009, 010	0B01909A	Silicon Diode 1S1555			
D011	0B06107A	Silicon Diode VD1212			
R001, 009	0B01888A	Carbon Resistor 10K ERD-14 TJ			
R002, 003 004	0B05614A	Carbon Resistor 1.8K ERD-14 TJ			
R005	0B01846A	Carbon Resistor 4.7K ERD-14 TJ			
R006, 010 021, 024	0B05509A	Carbon Resistor 33K ERD-14 TJ			
R007	0B05615A	Carbon Resistor 22K ERD-14 TJ			
R008, 012	0B01680A	Carbon Resistor 820 ERD-14 TJ			
R011, 018 019	0B05560A	Carbon Resistor 18K ERD-14 TJ			
R013, 014 023, 027	0B01706A	Carbon Resistor 47 ERD-14 TJ			
R015	0B05903A	Metal Film Resistor 510 ERO-25 CKG			
R016	0B05878A	Metal Film Resistor 10K ERO-25 CKG			
R017, 022 026	0B05875A	Carbon Resistor 27 ERD-14 TJ			
R020, 025	0B05645A	Carbon Resistor 270 ERD-14 TJ			
R028, 029	0B05771A	Carbon Resistor 12K ERD-14 TJ			
R030, 031	0B01704A	Carbon Resistor 68 ERD-14 TJ			
R032, 037	0B05580A	Carbon Resistor 2.2 ERD-14 TJ			
R033, 036	0B05623A	Carbon Resistor 1.2K ERD-14 TJ			
R034, 035	0B05575A	Carbon Resistor 560 ERD-14 TJ			
R038, 039	0B05902A	Metal Film Resistor 0.47 ERX-3AN			

7. WIRING DIAGRAM

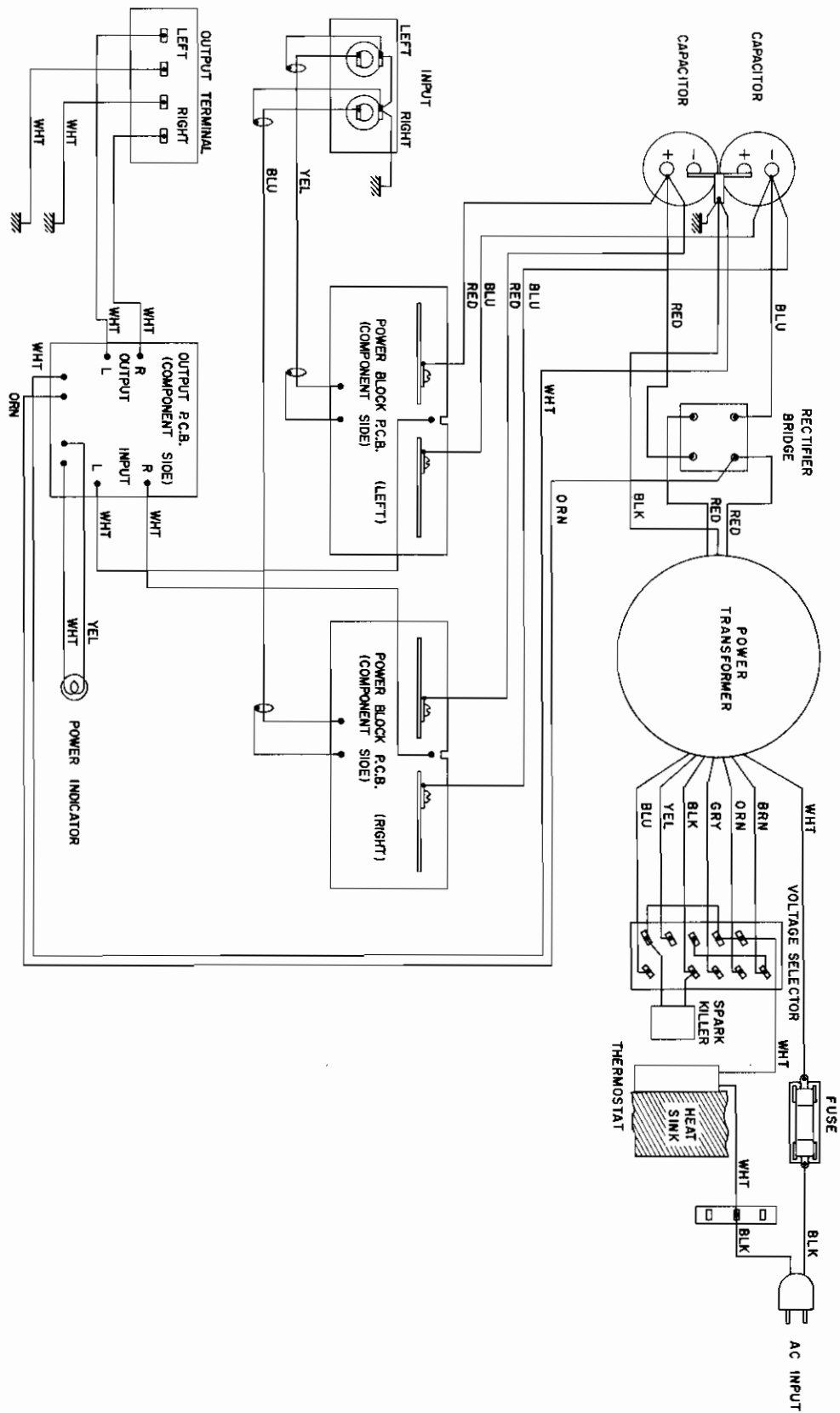
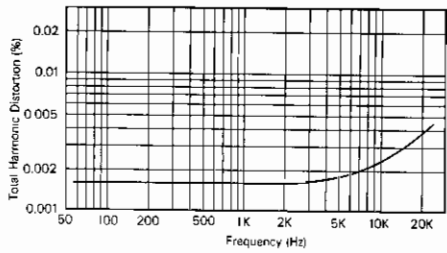
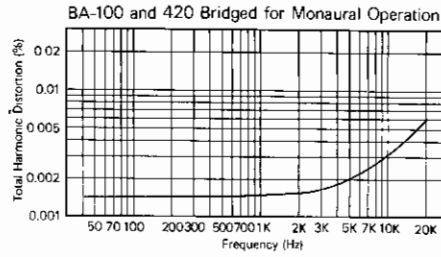


Fig. 7

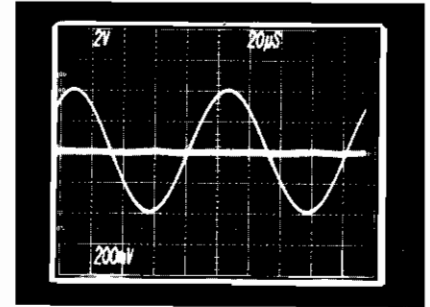
8. PERFORMANCE DATA



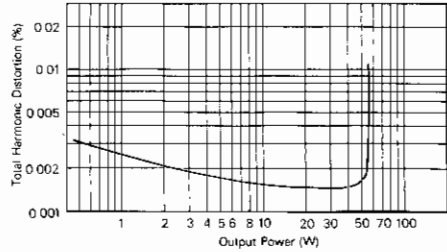
Frequency vs Total Harmonic Distortion
Output: 25W Constant
Load Impedance: 8 ohms



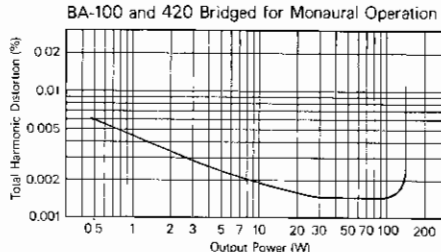
BA-100 and 420 Bridged for Monaural Operation
Frequency vs Total Harmonic Distortion
Output: 60W
Load Impedance: 8 ohms



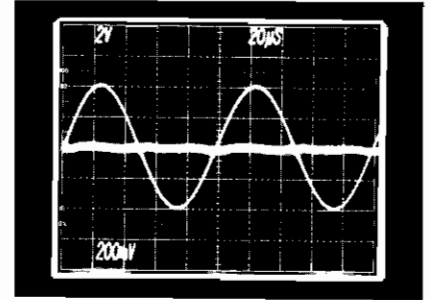
Residual Distortion of Test Instruments @10 kHz: 0.0018% THD



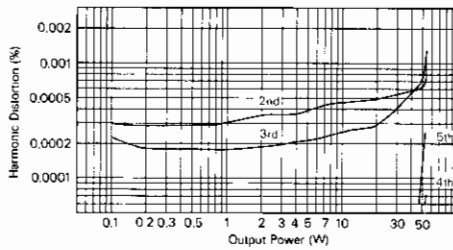
Output vs Total Harmonic Distortion
Frequency: 1kHz
Load Impedance: 8 ohms



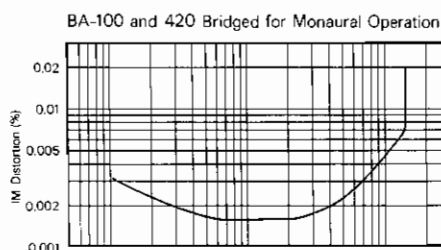
BA-100 and 420 Bridged for Monaural Operation
Output vs Total Harmonic Distortion
Frequency: 1kHz
Load Impedance: 8 ohms



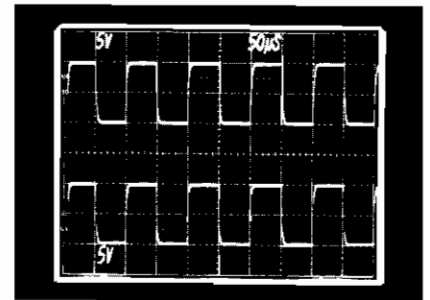
Combined Distortion of Test Instruments and 420 @10 kHz, 250 mW/8 ohm load: 0.0022% THD



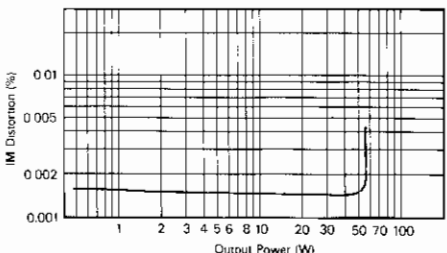
Output vs Harmonic Distortion *
Frequency: 1kHz
Load Impedance: 8 ohms



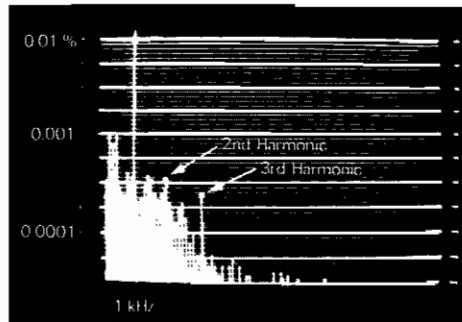
BA-100 and 420 Bridged for Monaural Operation
Output vs IM Distortion
60Hz:7kHz (4:1)
Load Impedance: 8 ohms



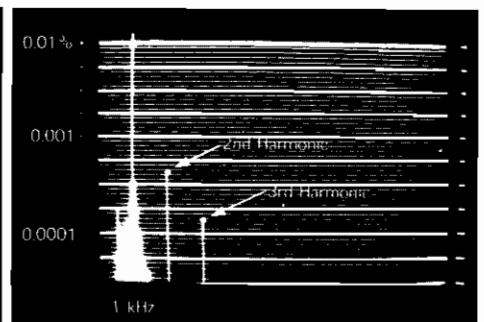
Upper Trace: 10 kHz Square Wave/8 ohms
Lower Trace: 10 kHz Square Wave/0.1µF//8 ohms



Output vs IM Distortion
60Hz:7kHz (4:1)
Load Impedance: 8 ohms



Spectral Analysis @1 kHz, 100 mW, 8 ohms *



Spectral Analysis @1 kHz, 25 W, 8 ohms *

*B & K 3348 Real Time Spectrum Analyzer

Fig. 8

9. BLOCK DIAGRAM

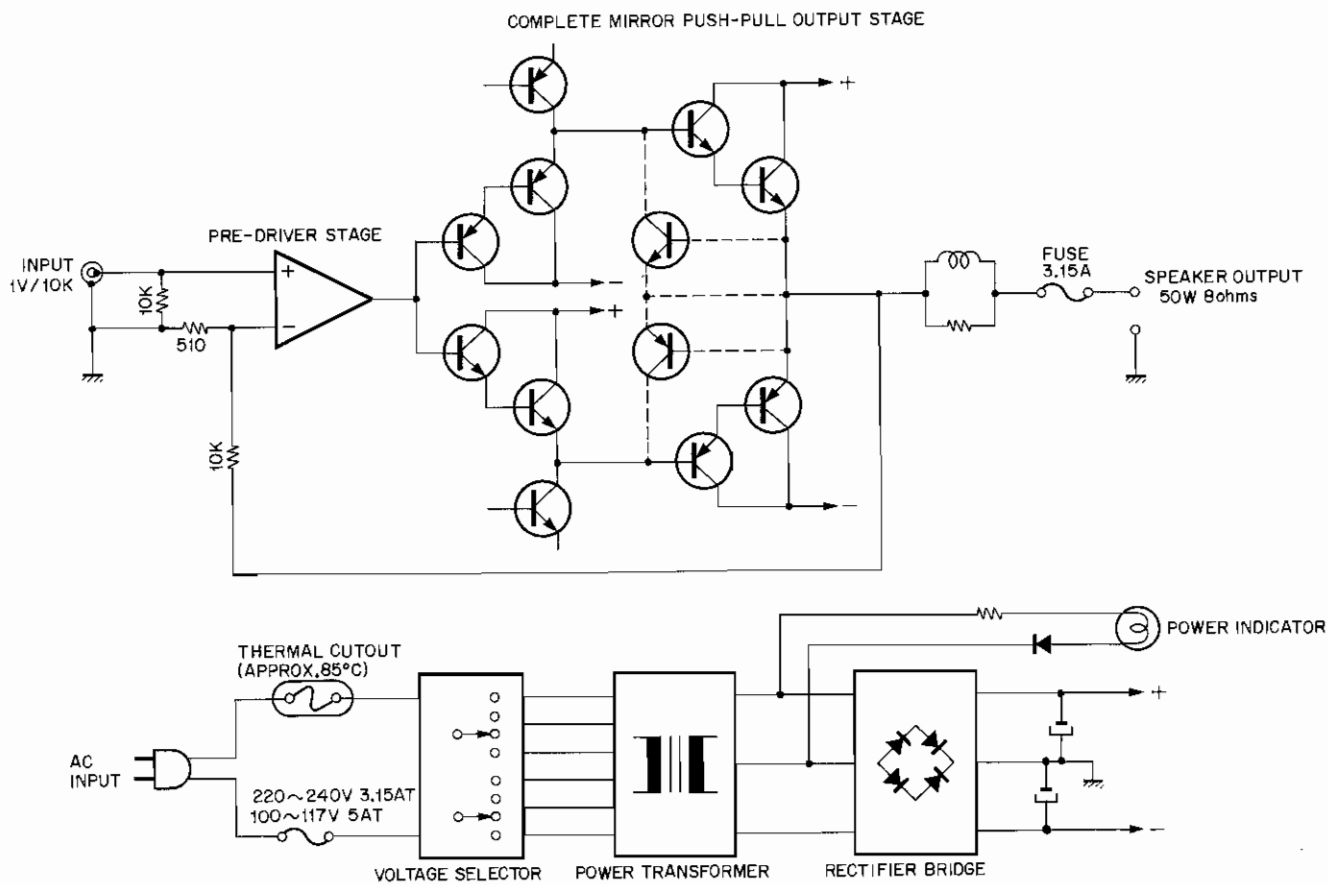


Fig. 9

10. SCHEMATIC DIAGRAM

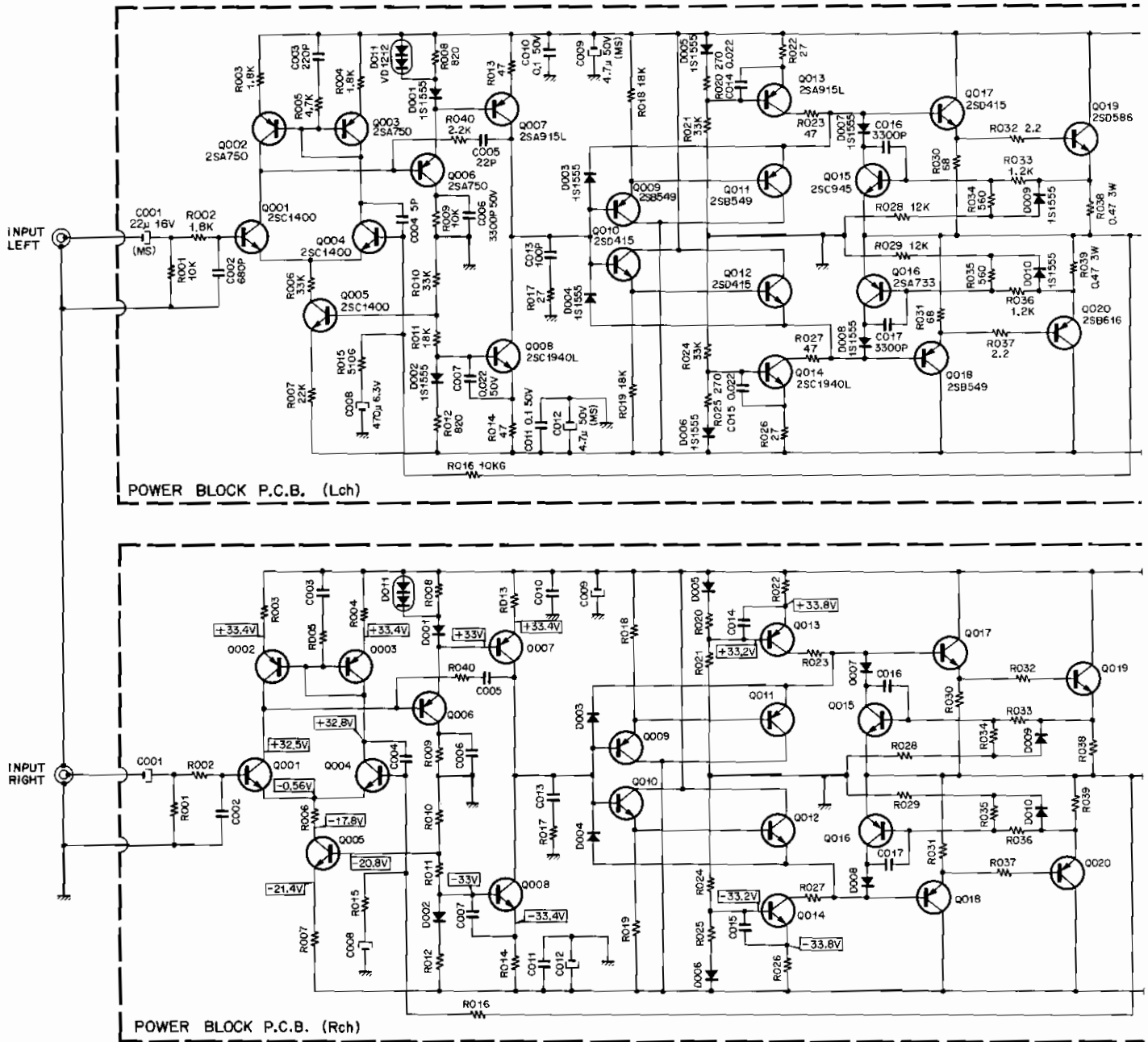


Fig. 10

Note: shows the reference circuit voltage at approx. 50-watt output.

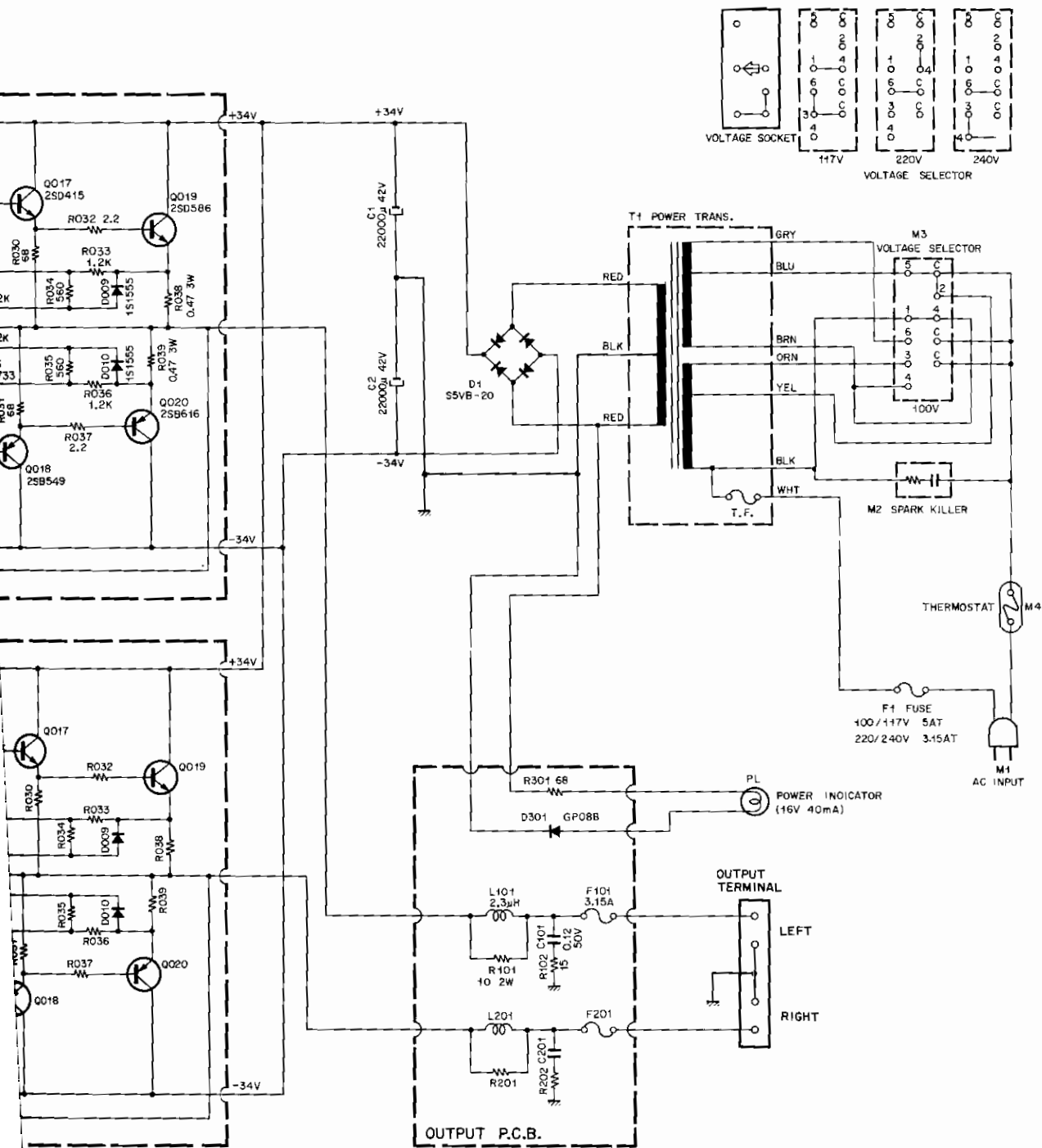


Fig. 10

11. BRIDGING ADAPTOR BA-100 (OPTION)

Mechanism Ass'y, Circuit Diagram, Mounting Diagram and Parts List

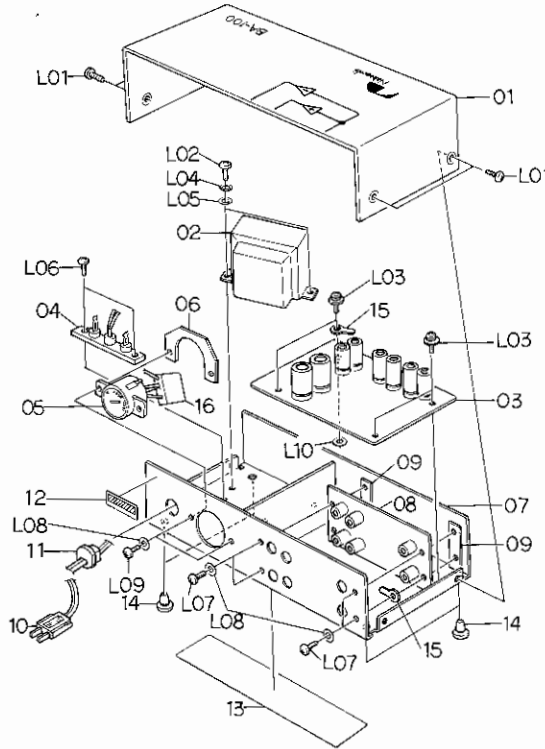


Fig. 11.1

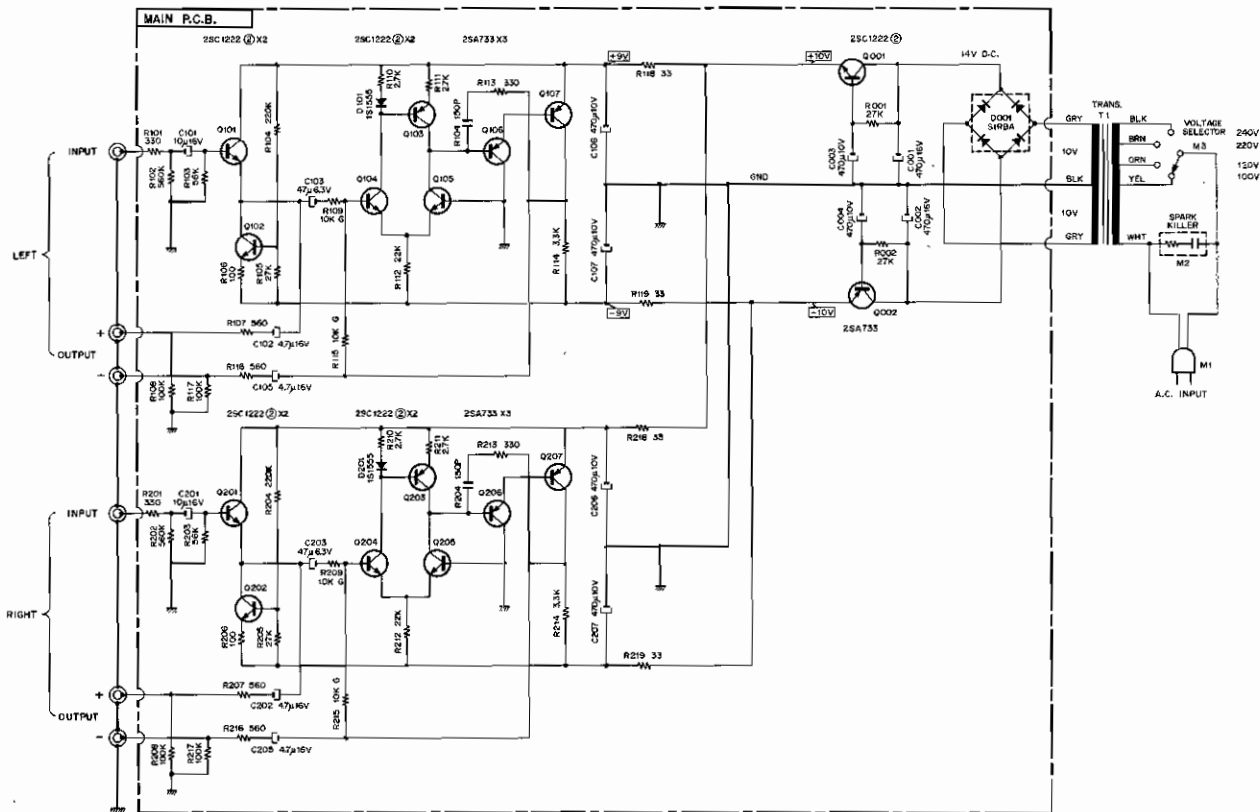


Fig. 11.2

Schematic Ref. No.	Part No.
01	0H0347
02	0B0652
03	BA0381
04	0B0802
05	0B0715
06	0J0358
07	HA0368
08	0B0829
09	0J0327
10	0B0821
11	0B0803
12	0M0355
13	HA0368
14	0H0343
15	0E0003
16	0B0824
L01	0E0071
L02	0E0054
L03	0E0060
L04	0E005E
L05	0E0063
L06	0E005E
L07	0E005E
L08	0E001E
L09	0E005E
L10	0E0021

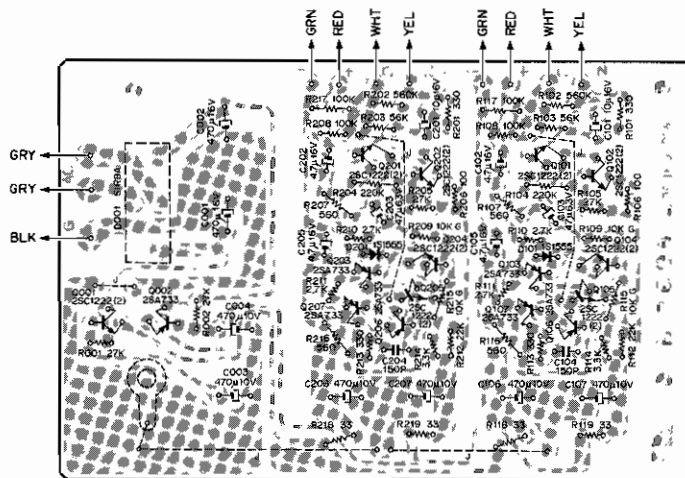


Fig. 11.3

Schematic Ref. No.	Part No.	Description	Q'ty	Schematic Ref. No.	Part No.	Description
		BA-100 Mechanism			BA03816A	Main P.C.B. Ass'y
01	0H03477A	Upper Cover	1		0B07698A	Main P.C.B.
02	0B06521U	Power Transformer	1	Q001	0B06062A	Transistor 2SC1222 (2)
03	BA03816A	Main P.C.B. Ass'y	1	101, 201		
04	0B08024U	3P Terminal	1	102, 202		
05	0B07152U	Voltage Selector	1	104, 204		
06	0J03585A	ESE Nut	1	105, 205		
07	HA03687A	Main Chassis Sub Ass'y	1	Q002	0B06013A	Transistor 2SA733
08	0B08290A	6P Pin Jack	1	103, 203		
09	0J03277A	Bolt Receptacle Plate	2	106, 206		
10	0B08219A	Power Cord	1	107, 207		
11	0B08037U	Cord Bushing C	1	D001	0B06088A	Silicon Diode 1SRBA
12	0M03551A	Pass Label B	1	D101, 201	0B1909A	Silicon Diode 1S1555
13	0M03544A	Caution Label B	1	R001, 002	0B05538A	Carbon Resistor 27K ERD-14 VJ
14	0H03437A	Rubber Foot	4	105, 205		
15	0E00037A	Earth Lug B-5	2	R101, 201	0B01789A	Carbon Resistor 330 ERD-14 VJ
16	0B08240U	Spark Killer	1	113, 213		
L01	0E00713A	Screw M3x6 Philips Truss Head (Bronze)	4	R102, 202	0B05665A	Carbon Resistor 560K ERD-14 VJ
L02	0E00540A	Screw M3x5 Philips Binding Head (Bronze)	2	R103, 203	0B05563A	Carbon Resistor 56K ERD-14 VJ
L03	0E00606A	Screw M3x6 Philips Pan Head (3A)	4	R104, 204	0B05596A	Carbon Resistor 220K ERD-14 VJ
L04	0E00581A	Washer 3mm Spring	2	R106, 206	0B05558A	Carbon Resistor 100 ERD-14 VJ
L05	0E00637A	Washer 3mm	2	R107, 207	0B05678A	Carbon Resistor 560 ERD-14 VJ
L06	0E00594A	Screw M3x8 Philips Binding Head (Bronze)	2	116, 216		
L07	0E00594A	Screw M3x8 Philips Binding Head	4	R108, 208	0B01920A	Carbon Resistor 100K ERD-14 VJ
L08	0E00159A	Washer 3mm (Plastics)	6	117, 217		
L09	0E00593A	Screw M3x6 Philips Binding Head (Bronze)	2	R109, 209	0B05895A	Metal Film Resistor 10K ERO-25 VJK
L10	0E00254A	Washer 3.1mm (Mylar)	1	115, 215	0B01782A	Carbon Resistor 2.7K ERD-14 VJ
				111, 211		
				R112, 212	0B05661A	Carbon Resistor 22K ERD-14 VJ
				R114, 214	0B01793A	Carbon Resistor 3.3K ERD-14 VJ
				R118, 218	0B05567A	Carbon Resistor 33 ERD-14 VJ
				119, 219		
				C001, 002	0B01392A	Electrolytic Capacitor 470μ 16V
				C003, 004	0B05884A	Electrolytic Capacitor 470μ 10V
				106, 206		
				107, 207		
				C101, 201	0B01412A	Electrolytic Capacitor 10μ 16V
				C102, 202	0B01389A	Electrolytic Capacitor 4.7μ 16V
				105, 205		
				C103, 203	0B01404A	Electrolytic Capacitor 47μ 6.3V
				C104, 204	0B05599A	Ceramic Capacitor 150P 50V

12. SPECIFICATIONS

Power Source	100/117/220/240V AC, 50/60 Hz
Power Consumption	30VA at idling 400VA with both channels driven to clipping into 8 ohm loads
Power Output	60 Watts per channel minimum continuous sine wave ("RMS") at 4 ohms 5-20,000 Hz, with less than 0.05% THD 50 Watts per channel minimum continuous sine wave ("RMS") at 8 ohms 5-20,000 Hz, with less than 0.02% THD 25 Watts per channel minimum continuous sine wave ("RMS") at 16 ohms 5-20,000 Hz, with less than 0.02% THD
IHF Power Bandwidth	5-100,000 Hz for less than 0.1% THD (both channels driven) 5-25,000 Hz for less than 0.01% THD 5-10,000 Hz for less than 0.005% THD
Damping Factor	Greater than 100 (1 kHz, 8 ohms)
Total Harmonic Distortion	Less than 0.002% @ 1 kHz or below Less than 0.008% @ 10 kHz or below
Intermodulation Distortion	Less than 0.002% (60 Hz: 7 kHz, 4:1, 8 ohm load, 50 W output)
Frequency Response	5-50,000 Hz +0, -1 dB
Input Sensitivity	1V
Input Impedance	10 k ohms
Residual Noise Level	Less than 50 microvolts (IHF-A)
Signal-to-Noise Ratio	Better than 110 dB at rated output (IHF-A, input shorted)
Crosstalk	Better than -70 dB @ 1 kHz
Dimensions	16(W) x 3-5/32(H) x 8-7/8(D) inches 400(W) x 80(H) x 225(D) m/m
Weight	15.4 lbs. (approx.) 7 kg

Specifications for Nakamichi 420 power amplifier with BA-100 bridging adaptor and outputs bridged for monaural operation.

Power Output	120 Watts minimum continuous sine wave "RMS" at 8 ohms, 5 - 20,000 Hz with less than 0.05% THD
Power Bandwidth	5 - 100,000 Hz (IHF, for under 0.05% THD)
Damping Factor	greater than 50 (at 1 kHz, 8 ohms)
Total Harmonic Distortion	less than 0.004% up to 1 kHz less than 0.025% up to 10 kHz
Intermodulation Distortion	0.003% (60 Hz: 7 kHz, 4:1)
Frequency Response	5-50,000 Hz (+0, -2 dB)
Residual Noise	100µV (IHF-A)
Signal-to-Noise Ratio	better than 110 dB (IHF-A, inputs shorted)

• Specifications and appearance design are subject to change for further improvement without notice.

Service Manual

Nakamichi 420

NAKAMICHI RESEARCH INC.
1-153 Suzukicho, Kodaira, Tokyo
Phone: (0423) 42-1111
Telex: 2832610 (NAKREI J)
Cable: NAKREI KKB

NAKAMICHI RESEARCH (U.S.A.), INC.
West Coast Office
1101 Colorado Avenue
Santa Monica, Calif. 90401
Phone: (213) 451-5901
Telex: 652429 (NAKREI SNM)

NAKAMICHI RESEARCH (U.S.A.), INC.
New York Office
220 Westbury Avenue
Carle Place, N.Y. 11514
Phone: (516) 333-5440
Telex: 144513 (NAKREI CAPL)

Service Information



NAKAMICHI

Model Nakamichi 420 (Power Amplifier)
Serial No. from 4504581
Subject Addition of Protector Circuit

No. 00D-M-0043 (1/5)
Date 1 September, 1977

I. General:

A. Purpose:

A protector circuit has been added to prevent speakers from breakage, as the breakage of transistors in 420 would induce possible breakage of speakers.

Note: When the protector circuit is activated (speaker terminals shorted with relay contacts), the power supply for 420 is required to be once switched off so as to release the protecting function. The power should again be supplied for at least 5 minutes after switching off.

B. Modification:

Current power block circuit has partly been modified in parallel with an addition of the protector circuit.

Refer to Fig. 1, assembled Protector P.C.B. Ass'y.

Modified Parts

Part No. BA03811A Power Block P.C.B. Ass'y resistors R034 and R035 (560 Ω) have been shorted with a jumper wire (both channels).
Rear Panel Ass'y Part No. has been changed from JA03839A to JA03839B (including Protector P.C.B. Ass'y).

Additional Parts

BA03865A Protector P.C.B. Ass'y 1 pce.
OJ03688A E.P. Stud B 2 pcs.

C. Principle of Operation:

The protector circuit aims at protecting the speaker with a shortcut from the speaker terminals to GND by operating the relay in Protector P.C.B. Ass'y when D.C. voltage is impressed between speaker terminals against any possible accident.

The time length required for protector to operate are specified as below according to D.C. voltages (either plus or minus) impressed between the speaker terminals:

Service Information



Model Nakamichi 420 (Power Amplifier)
Serial No. from 4504581

Subject Addition of Protector Circuit

No. NR-0010 (1/5)
Date 1 September, 1977

I. General:

A. Purpose:

A protector circuit has been added to prevent speakers from breakage, as the breakage of transistors in 420 would induce possible breakage of speakers.

Note: When the protector circuit is activated (speaker terminals shorted with relay contacts), the power supply for 420 is required to be once switched off so as to release the protecting function. The power should again be supplied for at least 5 minutes after switching off.

B. Modification:

Current power block circuit has partly been modified in parallel with an addition of the protector circuit.

Refer to Fig. 1, assembled Protector P.C.B. Ass'y.

Modified Parts

Part No. BA03811A Power Block P.C.B. Ass'y resistors R034 and R035 (560 Ω) have been shorted with a jumper wire (both channels).
Rear Panel Ass'y Part No. has been changed from JA03839A to JA03839B (including Protector P.C.B. Ass'y).

Additional Parts

BA03865A Protector P.C.B. Ass'y 1 pce.
OJ03688A E.P. Stud B 2 pcs.

C. Principle of Operation:

The protector circuit aims at protecting the speaker with a shortcut from the speaker terminals to GND by operating the relay in Protector P.C.B. Ass'y when D.C. voltage is impressed between speaker terminals against any possible accident.

The time length required for protector to operate are specified as below according to D.C. voltages (either plus or minus) impressed between the speaker terminals:

<u>D.C. Voltage between Speaker Terminals</u>	<u>Time required till Protector operates</u>
34V DC	approx. 0.5 sec \pm 30%
20V DC	approx. 1 sec \pm 30%
15V DC	approx. 2 sec \pm 30%
10V DC	approx. 2.5 sec \pm 30%
5V DC	approx. 4 ~ 10 sec

Once the protector circuit is activated, the protecting state is retained until the power supply to 420 is disconnected to release it. The power should be supplied after power capacitors are fully discharged (for approximately 5 minutes or more).

Note: The protector circuit in 420 may occasionally be activated if a high transient D.C. voltage is delivered from the preamplifier connected with 420 at the time when the power supply for the preamplifier is turned on.

The cause is not from any trouble in 420.

For its countermeasure, the power for 420 is recommended to be supplied last of all.

II. Parts List:

Part No. BA03865A Protector P.C.B. Ass'y 1 pce.
 0J03688A E.P. Stud B 2 pcs.

<u>Schematic Ref. No.</u>	<u>Part No.</u>	<u>Description</u>
	BA03865A	Protector P.C.B. Ass'y
	OB07727A	Protector P.C.B.
Q401,402	OB06078A	Transistor 2SC1400
403		
Q404	OB06074A	Transistor 2SA750
D401,402	OB01909A	Silicon Diode 1S1555
D403	OB06109A	Silicon Diode GP08B
ZD401	OB06073A	Zener Diode 10S
ZD402	OB06002A	Zener Diode 15R
R401,402	OB01921A	Carbon Resistor 330K ERD-25V J
R403,404	OB05650A	Carbon Resistor 12K ERD-25V J
407		
R405,406	OB01781A	Carbon Resistor 1K ERD-25V J
R408	OB05593A	Carbon Resistor 150K ERD-25V J
R409,410	OB01920A	Carbon Resistor 100K ERD-25V J
R411,414	OB05607A	Carbon Resistor 180 ERD-25V J
R412	OB01795A	Carbon Resistor 4.7K ERD-25V J
R413,415	OB01833A	Carbon Resistor 10K ERD-25V J
C401,402	OB05885A	Electrolytic Capacitor 100 μ F 10V
C403	OB01290A	Ceramic Capacitor 0.01 μ F 50V
RY401	OB07171A	Relay HB-2T

III. Mounting Diagram and Schematic Diagram:

Refer to Figs. 2 and 3.

IV. Modification Procedures for the Current Models:

Following shows the way how to assemble the Protector P.C.B. Ass'y in the current Models.

A. Parts to be required:

Part No. BA03865A	Protector P.C.B. Ass'y	1 pce.
OJ03688A	E.P. Stud B	2 pcs.

B. Modification Procedures:

Refer to Fig. 1.

1. Disassemble the Top Cover by removing five screws.
2. Remove two screws from the Output P.C.B. Ass'y and replace with E.P. Studs.
3. Assemble the Protector P.C.B. Ass'y.
4. Solder the signal wires (WHT,WHT) of the Protector P.C.B. Ass'y to the speaker terminal (output terminal) plus side of both channels.
5. Solder the RED wire of the Protector P.C.B. Ass'y to the plus terminal (RED wires are already soldered) of the capacitor C1 22,000 μ F 42V.
6. Solder the BLU wire of the Protector P.C.B. Ass'y to the minus terminal (BLU wires are already soldered) of the capacitor C2 22,000 μ F 42V.
7. Bind these wires at an appropriate point.
8. Short the resistors R034 and R035 (560 Ω) of both channels on the Power Block P.C.B. Ass'y with a jumper wire from the dip side of the printed circuit board.
9. Assemble the Top Cover.

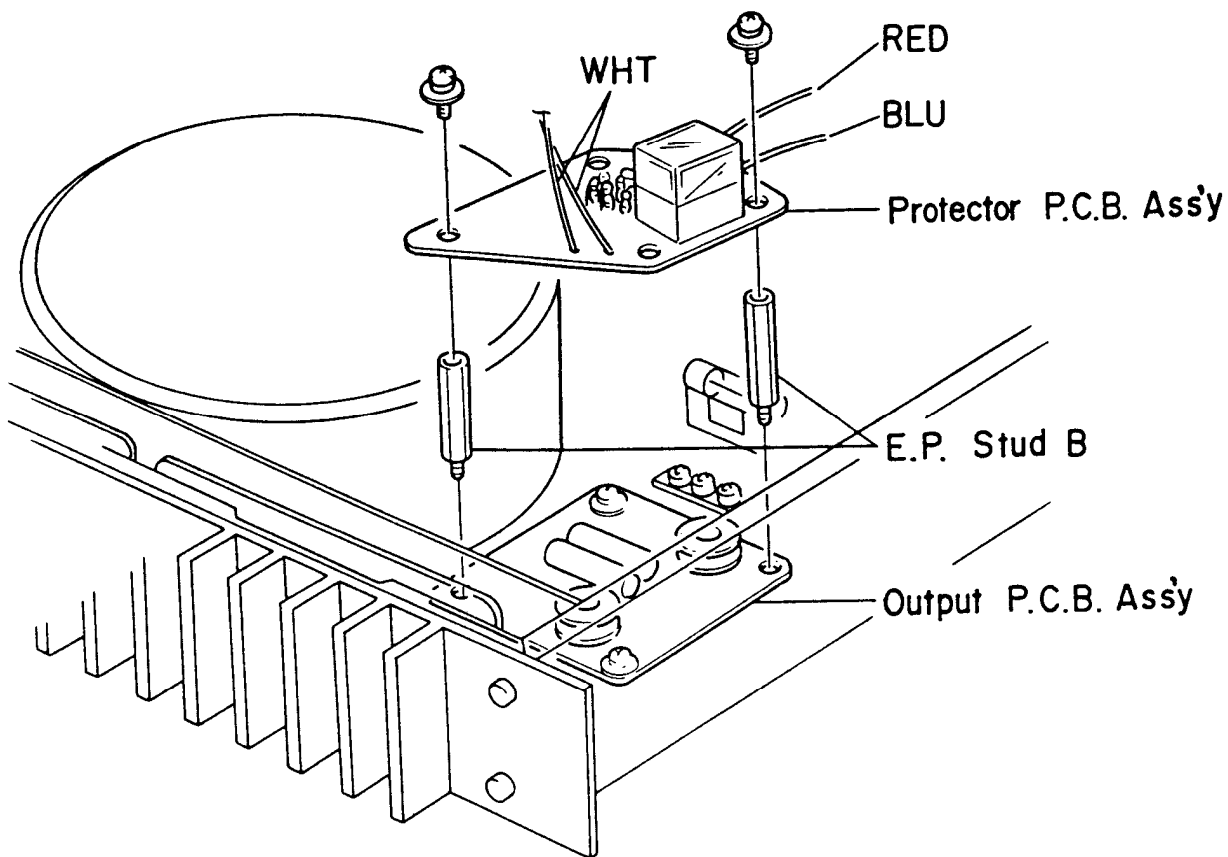


Fig. 1

Protector P.C.B. Ass'y Mounting Diagram

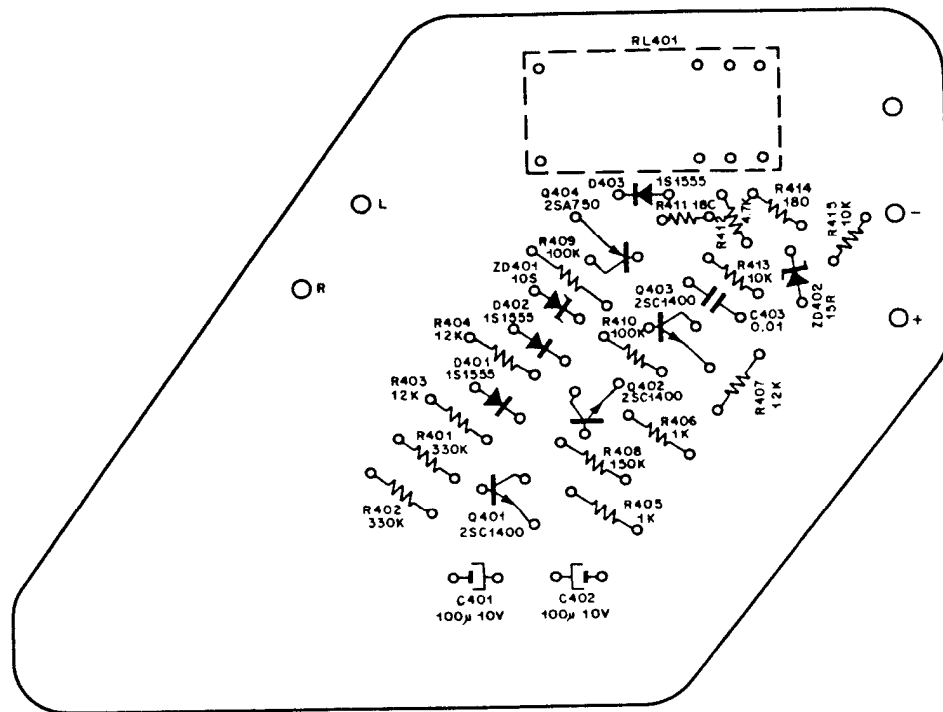


Fig. 2

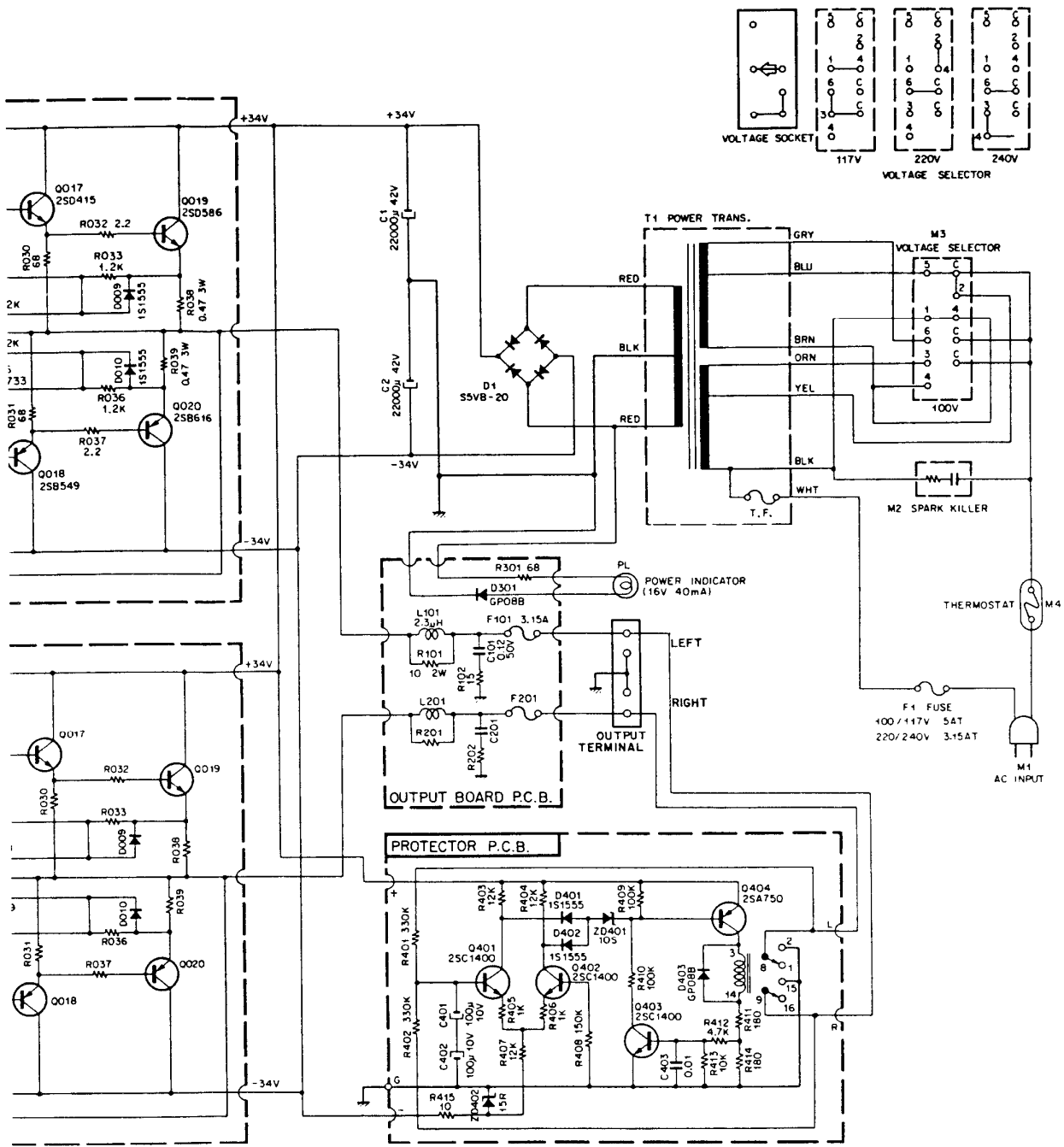


Fig. 3

Service Information



NAKAMICHI

Model Nakamichi 420 (Power Amplifier)

Serial No. from 4506951

Subject Modification of NF Circuit

No. NR-0027 (1/4)

Date 7/19/78

I. General:

A. Purpose:

To improve the quality of sound, NF circuit in the Power Block P.C.B. Ass'y has been modified.

Note: When above modification is adopted for the current Models, please refer to "III. Modification Procedures".

B. Modification:

Power Block P.C.B. Ass'y has been changed as follows:

(Positions of R015 and C008 have been reversed. R041 (11 k Ω F) has been added. R001,016 has been changed from 10 k Ω to 100 k Ω .)

Current Parts

BA03811A Power Block P.C.B. Ass'y 2 pcs.

including;

OB07693D Power Block P.C.B.

R001 OB01888A Carbon Resistor 10 k ERD-25T J

R016 OB05878A Metal Film Resistor 10 k ERD-25CK G

New Parts

BA03811B Power Block P.C.B. Ass'y 2 pcs.

including;

OB07693E Power Block P.C.B.

R001,016 OB01889A Carbon Resistor 100 k ERD-25T J

R041 OB09128A Metal Film Resistor 11 k ERO-25CK F

C. Compatibility (of new Power Block P.C.B. Ass'y with the Current Models):
Possible.

II. New Parts List:

BA03811B Power Block P.C.B. Ass'y 2 pcs.

Schematic
Ref. No.

Part No.

Description

BA03811B Power Block P.C.B. Ass'y

OB07693E Power Block P.C.B.

Q001,004,005 OB06078A Transistor 2SC1400

Q002,003,006 OB06074A Transistor 2SA750

<u>Schematic Ref. No.</u>	<u>Part No.</u>	<u>Description</u>	
Q007,013	OB06102A	Transistor	2SA915 (L)
Q008,014	OB06101A	Transistor	2SC1940 (L)
Q009,011,018	OB06103A	Transistor	2SB549
Q010,012,017	OB06104A	Transistor	2SD415
Q015	OB06100A	Transistor	2SC945 (A)
Q016	OB06013A	Transistor	2SA733
Q019	OB06106A	Transistor	2SD586 (A)
Q020	OB06105A	Transistor	2SB616 (A)
D001,002,003 004,005,006 007,008,009 010	OB01909A	Silicon Diode	1S1555
D011	OB06107A	Silicon Diode	VD1212
R001,016	OB01889A	Carbon Resistor	100K ERD-25T J
R002,003,004	OB05614A	Carbon Resistor	1.8K ERD-25T J
R005	OB01846A	Carbon Resistor	4.7K ERD-25T J
R006,010,021 024	OB05509A	Carbon Resistor	33K ERD-25T J
R007	OB05615A	Carbon Resistor	22K ERD-25T J
R008,012	OB01680A	Carbon Resistor	820 ERD-25T J
R009	OB01888A	Carbon Resistor	10K ERD-25T J
R011,018,019	OB05560A	Carbon Resistor	18K ERD-25T J
R013,014,023 027	OB01706A	Carbon Resistor	47 ERD-25T J
R015	OB05903A	Metal Film Resistor	510 ERO-25CK G
R017,022,026	OB05875A	Carbon Resistor	27 ERD-25T J
R020,025	OB05645A	Carbon Resistor	270 ERD-25T J
R028,029	OB05771A	Carbon Resistor	12K ERD-25T J
R030,031	OB01704A	Carbon Resistor	68 ERD-25T J
R032,037	OB05580A	Carbon Resistor	2.2 ERD-25T J
R033,036	OB05623A	Carbon Resistor	1.2K ERD-25T J
R034,035	OB05575A	Carbon Resistor	560 ERD-25T J
R038,039	OB05902A	Metal Film Resistor	0.47 ERX-3AN
R040	OB05622A	Carbon Resistor	2.2K ERD-25T J
R041	OB09128A	Metal Film Resistor	11K ERO-25CK F
C001	OB05820A	Electrolytic Capacitor	22 μ 16V M(MS)
C002	OB05893A	Ceramic Capacitor	680P 50V K
C003	OB05879A	Ceramic Capacitor	220P 50V K
C004	OB05905A	Ceramic Capacitor	5P 50V K
C005	OB05806A	Ceramic Capacitor	22P 50V K
C006,016,017	OB05881A	Ceramic Capacitor	3300P 50V
C007,014,015	OB05882A	Ceramic Capacitor	0.022 μ 50V
C008	OB05842A	Electrolytic Capacitor	470 μ 6.3V
C009,012	OB05904A	Electrolytic Capacitor	4.7 μ 50V M(MS)
C010,011	OB01356A	Ceramic Capacitor	0.1 μ 50V
C013	OB05892A	Ceramic Capacitor	100P 50V K

III. Modification Procedures for the current Models:

A. Parts removed:

R001	OB01888A	Carbon Resistor 10 k ERD-25T J	2 pcs.
R016	OB05878A	Metal Film Resistor 10 k ERO-25CK G	2 pcs.

B. Parts required:

R001,016	OB01889A	Carbon Resistor 100 k ERD-25T J	4 pcs.
R041	OB09128A	Metal Film Resistor 11 k ERO-25CK F	2 pcs.

C. Modification procedures:

Refer to Fig. 1, current Power Block P.C.B. Ass'y.

1. Disassemble the Top Cover Ass'y by removing 4 screws.
2. Disassemble the 2 Power Block Assemblies by removing 3 screws for each.
3. Exchange C008 (Electrolytic Capacitor 470 μ F 6.3V) and R015 (510 Ω G) as shown in the figure.
Mount the C008 from the dip side of the P.C.B. then bond it to the P.C.B. (pay attention to the polarity of the C008).
4. Remove R001,016 10 k and replace with 100 k.
5. Mount R041 from the dip side as shown in the figure.
6. Assemble the Power Block Assemblies by fastening 3 screws for each.
7. Check to insure the performance of the N-420.
8. Assemble the Top Cover by fastening 4 screws.

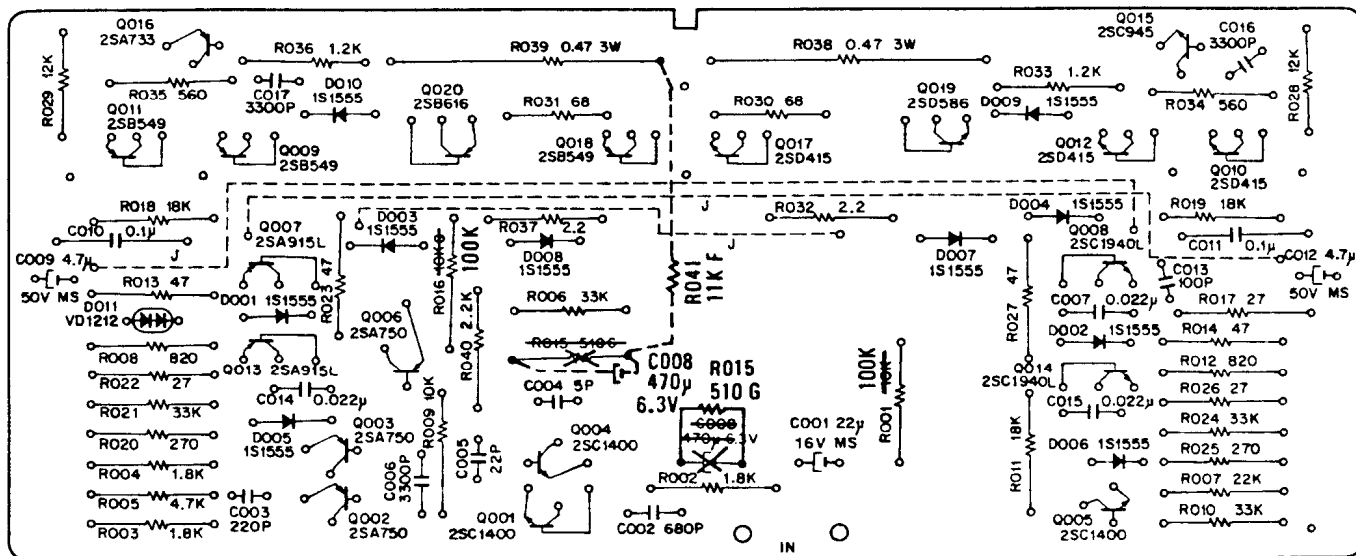


Fig. 1

IV. New Mounting Diagram (Power Block P.C.B. Ass'y):

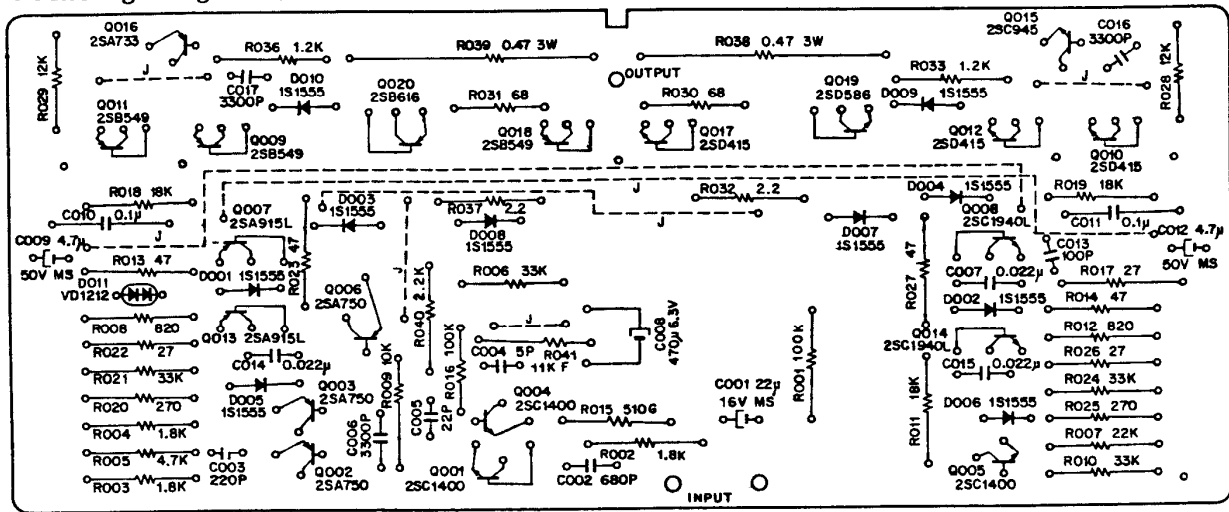


Fig. 2

V. New Schematic Diagram:

Note: shows the reference circuit voltage at approx. 50-watt output.

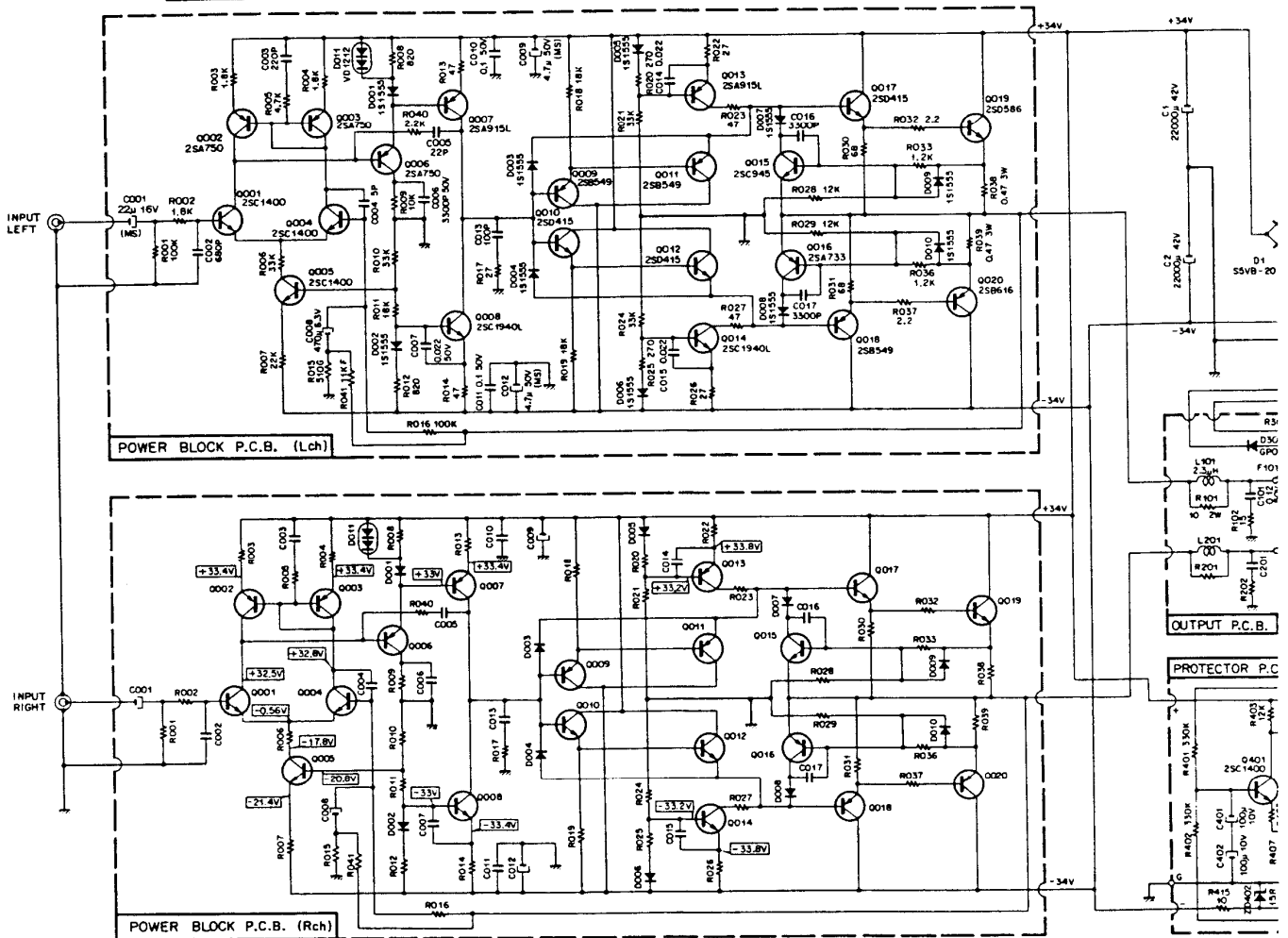


Fig. 3