

Quality Uncompromised

ROTEL®

Technical Manual

STEREO CONTROL AMPLIFIER RC-980BX

Table of Contents

Specifications	1
Wiring Diagram	2
Parts List	3,4
Schematic Diagram	5,6
PCB Assembly	7,8

Specifications

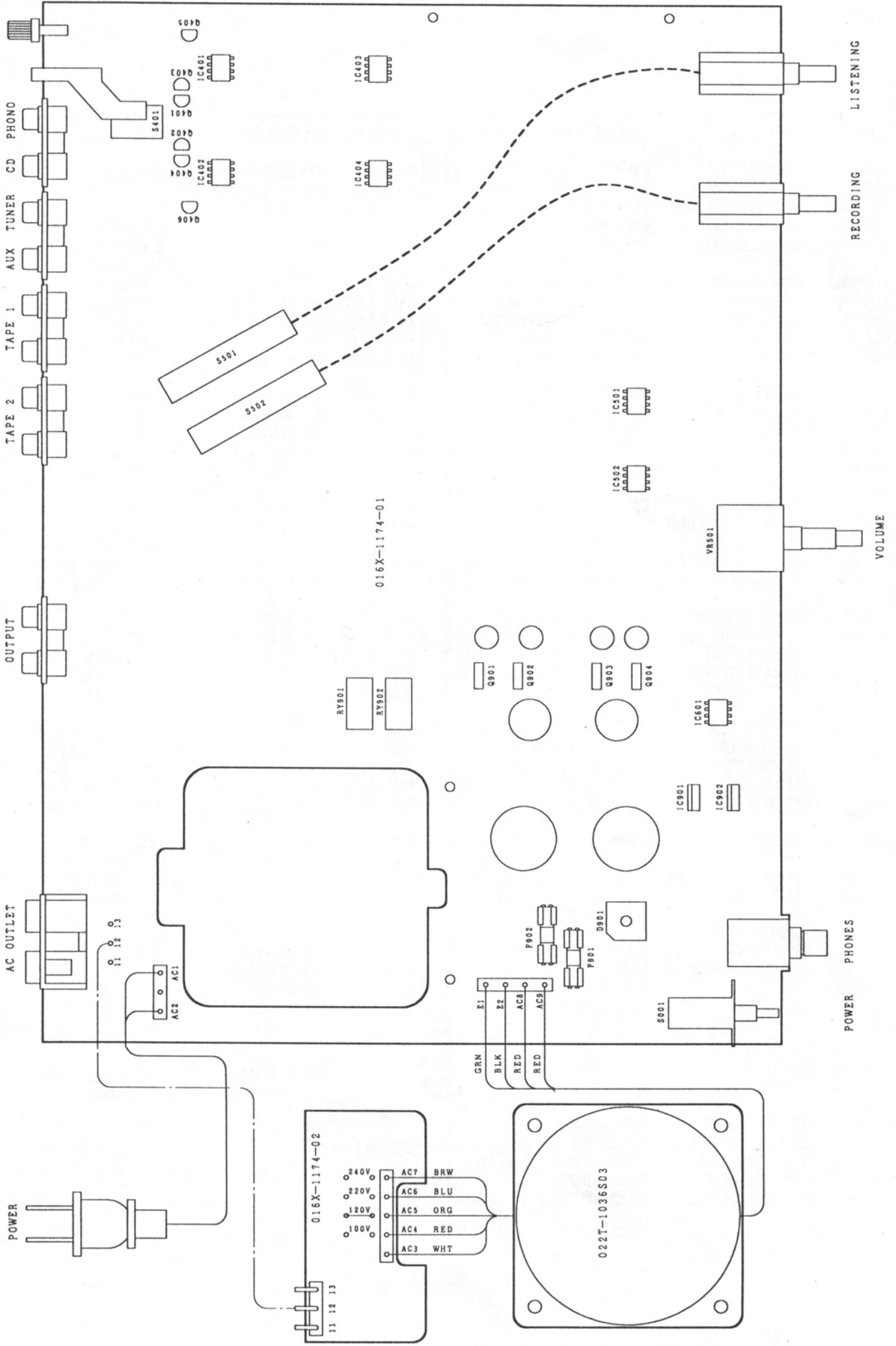
Total Harmonic Distortion ...	No more than 0.004%
	(CD/TUNER, 20 to 20,000 Hz)
Intermodulation Distortion...	No more than 0.004%
(60 Hz : 7 kHz = 4:1)	(CD/TUNER)
Output.....	Headphone 8-2 kohms
Input Sensitivity/Impedance	
PHONO (MM).....	2.5 mV/47 kohms
PHONO (MC).....	250 μ V/100 ohms
CD, TUNER, TAPE 1/2....	150 mV/34 kohms
AUX.....	150 mV/34 kohms
Output sensitivity/ Impedance	1.0 V/100 ohms
Overload Level (THD 0.5%, 1 kHz)	
PHONO (MM).....	160 mV
PHONO (MC).....	16 mV
CD, TUNER, TAPE 1/2....	5V
AUX.....	5V
Frequency Response	
PHONO	20 to 20,000 Hz, \pm 0.2 dB (RIAA STD)
CD, TUNER, TAPE 1/2....	4 to 100,000 Hz, +0.5 dB, -3 dB
AUX.....	4 to 100,000 Hz, +0.5 dB, -3 dB

Signal-to-Noise Ratio (IHF A network)	
PHONO (MM).....	75 dB
PHONO (MC).....	70 dB
CD, TUNER, TAPE 1/2....	100 dB
AUX.....	100 dB
Power Requirement	120 V/60 Hz, 220 V/50 Hz, 240 V/50 Hz, 100 V/50 Hz-60 Hz (depending on destinations)
Power Consumption	10 watts
Dimensions (overall)	440 (W) x 70 (H) x 325 (D) mm 17-5/16" x 2-3/4" x 17-13/16"
Weight (net).....	4.1 kg/9.02 lbs.

- Specifications and design subject to possible modification without notice.

Serial No.
Beginning

Wiring Diagram



Parts List

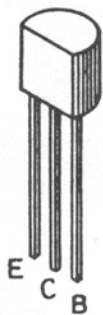
SYMBOL	PARTS NO.	DESCRIPTION
X-1174 PCB ASSEMBLY		
C001	043 50VZF473	CAP, CERA. 50V0. 047UF
C002	044 DE7150F472M	SPARK KILLER
C401, C402	044 FKP2-100V101H	CAP, FILM 100V100PF
C403, C404	044 #S160V331J	CAP, STYROL 105-063
C405, C406	044 #S160V220J	CAP, STYROL 105-056
C411~414	044 MKT18-100V104K	CAP, FILM 100V0. 1UF
C419, C420	044 FKP2-100V102F	CAP, FILM 100V1000PF
C421, C422	044 #S100V682F	CAP, STYROL 425-46802
C423, C424	041 50BGF10M	CAP, ELEC. 50V10UF
C425~428	041 25BGF100M	CAP, ELEC. 25V100UF
C429~432	044 MKT18-100V104K	CAP, FILM 100V0. 1UF
C433, C434	041 50BGF10M	CAP, ELEC. 50V10UF
C501, C502	041 50BGF10M	CAP, ELEC. 50V10UF
C503, C504	044 #S160V470J	CAP, STYROL 105-058
C505, C506	041 50BGF10M	CAP, ELEC. 50V10UF
C507, C508	041 25BGF100M	CAP, ELEC. 25V100UF
C509, C510	044 MKT18-100V104K	CAP, FILM 100V0. 1UF
C511, C512	041 25BGF100M	CAP, ELEC. 25V100UF
C513, C514	044 MKT18-100V104K	CAP, FILM 100V0. 1UF
C601, C602	041 U25V4R7	CAP, ELEC. 25V4. 7UF
C603, C604	044 SRA470J125	CAP, STYROL 125V47PF
C605, C606	042 P50V103J	CAP, FILM 50V0. 01UF
C901~904	043 500VZF103	CAP, CERA. 500V0. 01UF
C905, C906	041 LGS1H472MHS	CAP, ELEC. 50V4700UF
C907, C908	041 ECEA1EF102	CAP, ELEC. 25V1000UF
C909~912	041 25BGF100M	CAP, ELEC. 25V100UF
C913, C914	041 U50V010	CAP, ELEC. 50V1UF
C915, C916	041 U25V100	CAP, ELEC. 25V100UF
C917	041 U50V22	CAP, ELEC. 50V22UF
C918	041 U35V100	CAP, ELEC. 35V100UF
D401~404	034 1N4148	DIODE
D901	034 BR64	BRIDGE DIODE
D902, D903	034 1N4003	DIODE
D904, D905	034 RD18EB	ZENER DIODE
D906	034 RD10EB	ZENER DIODE
D907	034 RD15EB	ZENER DIODE
D908~914	034 1N4148	DIODE
F901, F902	036 (U)F1A	MINI FUSE for STD
	036 (S)T1A	MINI FUSE for CEE
IC401, 402	031 TL071CP	IC
IC403, 404	031 NE5534AN	IC
IC501, 502	031 AD711JN	IC
IC601	031 NJM4556D	IC
IC901	031 NJM78M15A	IC
IC902	031 NJM79M15A	IC
Q401~404	032 2SD786-RS	TRANSISTOR
Q405, Q406	032 2SC2362K-FG	TRANSISTOR
Q901, Q902	033 2SD1684-ST	TRANSISTOR
Q903, Q904	033 2SB1144-ST	TRANSISTOR
Q905	032 2SC536K-FG	TRANSISTOR

SYMBOL	PARTSNO.	DESCRIPTION
Q907	032 2SA608K-FG	TRANSISTOR
R401, R402	054 MK2100RFECZ	R. METAL 1% 100Ω
R403, R404	054 MK247K5FECZ	R. METAL 1% 47.5K
R405, R406	054 MK2010RFECZ	R. METAL 1% 10Ω
R407, R408	054 MK247R5FECZ	R. METAL 1% 47.5Ω
R409, R410	054 MK2562RFECZ	R. METAL 1% 562Ω
R411, R412	054 MK222K1FECZ	R. METAL 1% 22.1K
R413, R414	054 MK2274RFECZ	R. METAL 1% 274Ω
R415~418	054 MK25K62FECZ	R. METAL 1% 5.62K
R419, R420	054 MK2475RFECZ	R. METAL 1% 475Ω
R421, R422	054 MK22K74FECZ	R. METAL 1% 2.74K
R431, R432	054 MK2075KFECZ	R. METAL 1% 75K
R433, R434	054 MK24K75FECZ	R. METAL 1% 4.75K
R435, R436	054 MK247K5FECZ	R. METAL 1% 47.5K
R437, R438	054 MK2475KFECZ	R. METAL 1% 475K
R439, R440	054 MK2100RFECZ	R. METAL 1% 100Ω
R441, R442	054 MK2100KFECZ	R. METAL 1% 100K
R501, R502	054 MK2150RFECZ	R. METAL 1% 150Ω
R503, R504	054 MK2100KFECZ	R. METAL 1% 100K
R505, R506	054 MK2475RFECZ	R. METAL 1% 475Ω
R507, R508	054 MK22K74FECZ	R. METAL 1% 2.74K
R509, R510	054 MK2100KFECZ	R. METAL 1% 100K
R511, R512	054 MK2100RFECZ	R. METAL 1% 100Ω
R551~554	054 MK2001KFECZ	R. METAL 1% 1K
R601, R602	054 MK2100KFECZ	R. METAL 1% 100K
R603, R604	054 MK233K2FECZ	R. METAL 1% 33.2K
R605, R606	054 MK2332KFECZ	R. METAL 1% 332K
R607, R608	054 MK2150RFECZ	R. METAL 1% 150Ω
R609, R610	054 MK247K5FECZ	R. METAL 1% 47.5K
R901, R902	054 MK201K5FECZ	R. METAL 1% 1.5K
R907, R908	054 RSS2X-100F	RESISTOR 2W 100Ω
R909	053 333J	RESISTOR 1/4W 33K
R912	053 332J	RESISTOR 1/4W 3.3K
R913	053 333J	RESISTOR 1/4W 33K
R914	053 684J	RESISTOR 1/4W 680K
RY901, 902	063 RY24W-KJ	RELAY
S401	061 4TR-2783	PUSH SWITCH
S501, S502	064 C-3440	SLIDE SWITCH
S001	061 C-4176A01	POWER SWITCH
VR501	051 C-4170A18	VOLUME
	019 PR4-07A00T	JOINT BUTTON 5φ
	062 C-4175A13	ROTALY FLEX (LISTENING)
	062 C-4175A14	ROTALY FLEX (RECORDING)
	065 C-3399#3	PHONE JACK
	066 4TR-2672#3	4P PINJACK
	068 C-3963#21	CONNECTOR 2P
	069 C-4372A00	AC OUTLET for STD

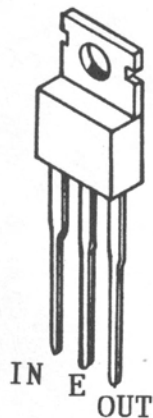
Parts List

SYMBOL	PARTS NO.	DESCRIPTION
	OTHERS	
T001	022 T-1036S03	POWER TRANSFORMER
	011 PQ2-01A00T	FRONT PANEL
	012 4TQF-15	PUSH KNOB
	012 4TQF-19	KNOB 24 ϕ
	012 4TQF-20	KNOB 33 ϕ (WR)
	012 4TQF-21	KNOB 33 ϕ (WF)
	014 PQ3-13A00T	BOTTOM BOARD
	014 3TTE-6#4	UPPER COVER

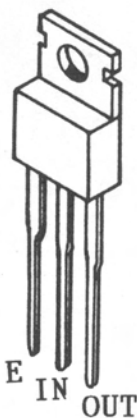
SYMBOL	PARTS NO.	DESCRIPTION
	015 TRP-588	PRINTED REAR CHASSIS
	019 4TSH-19#2	PLASTIC FOOT
	072 4TR-2875	RCA PIN PLUG CORD
	072 4TR-670#5	AC CORD for STD
	072 C-2504#3	AC CORD for UK
	072 C-3039	AC CORD for EUROPA
	072 C-3763B01	AC CORD for AUSTRALIA
	081 PQ4-11A00	INSIDE CARTON



2SC536
2SA608
2SC2362
2SD786



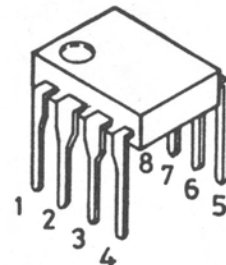
NJM78M15A



NJM79M15A



2SD1684
2SB1144



TL071CP
NE5534AN
AD711JN
NJM4556D

(RESISTORS)

5% TOLERANCE UNLESS OTHERWISE NOTED.

K --- KILO OHM

(M) --- FIXED PRECISION METAL FILM RESISTORS. (F): 1%
NON MARK --- LOW NOISE TYPE CARBON RESISTORS. 1/4W

(CAPACITORS)

(S) --- POLYSTYRENE FILM CAPACITORS.

(MP) --- METALIZED FILM CAPACITORS.

H --- ELECTROLYTIC CAPACITORS.

NON MARK --- CERAMIC CAPACITORS.

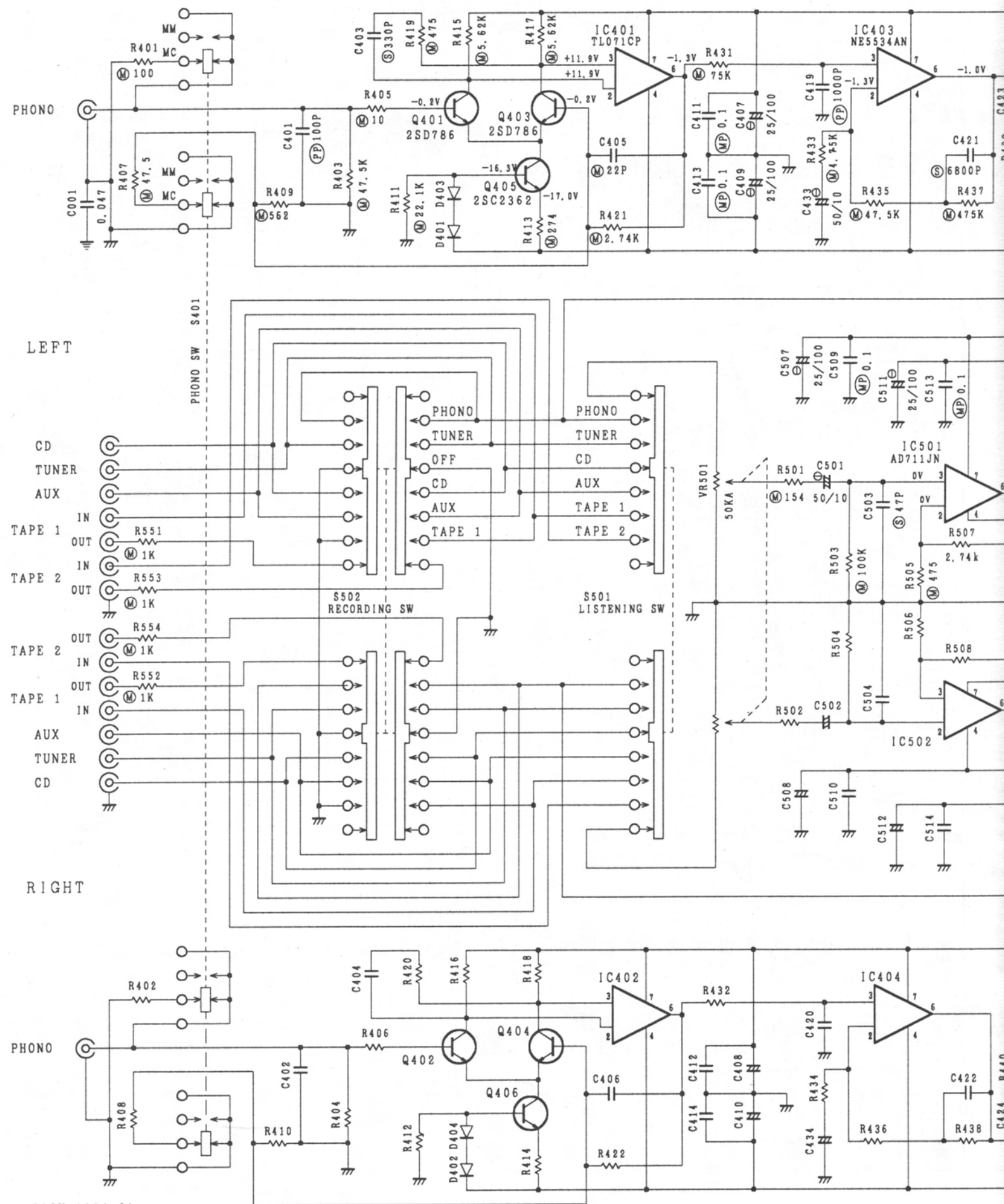
: UNLESS OTHERWISE NOTED IN SCHEMATIC ALL CAPACITANCE
VALUES ARE EXPRESSED IN MFD.

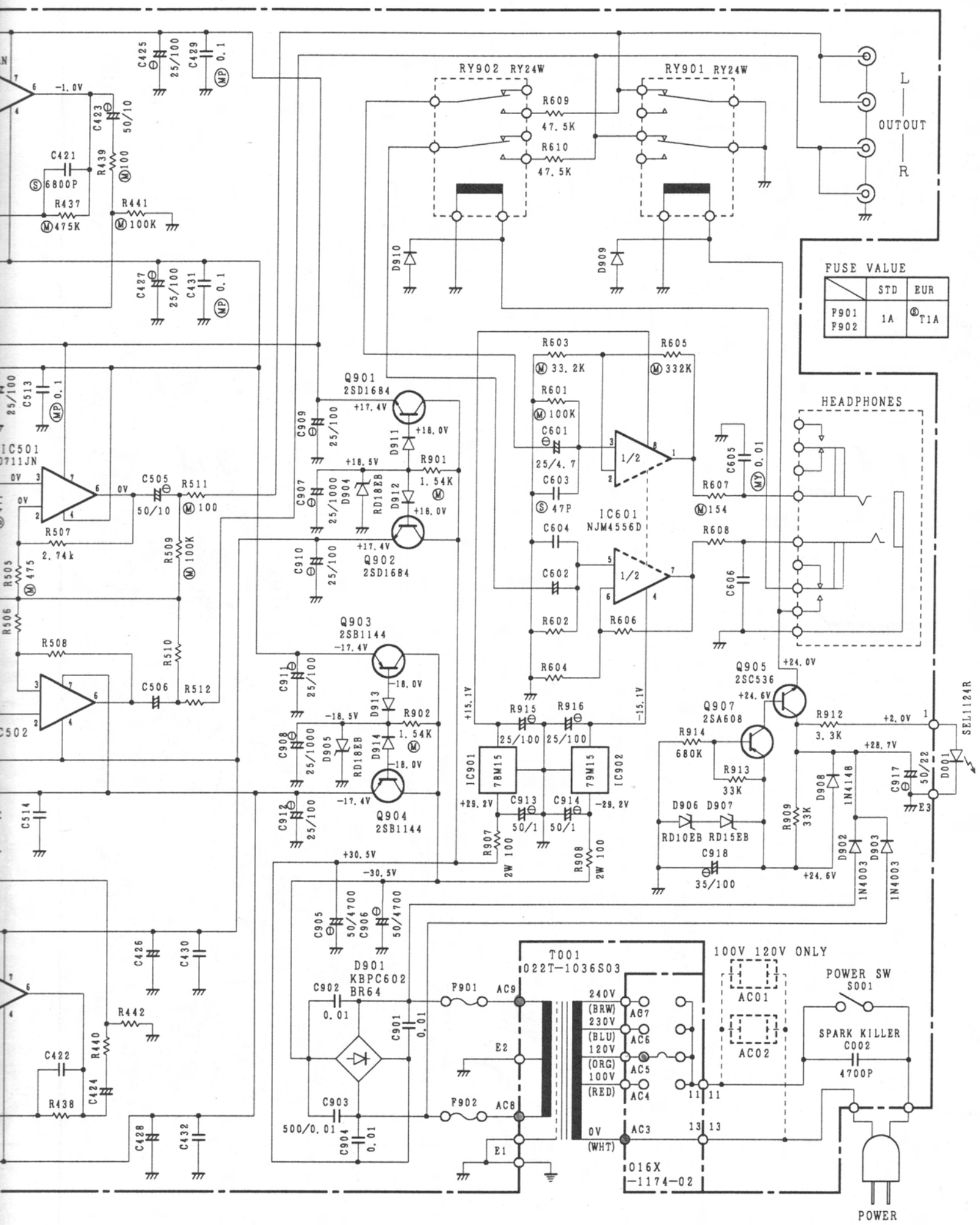
: VOLTAGE READING WITH VTVM FROM THE POINT SHOWN
TO THE CHASSIS GROUND. (LINE VOLTAGE 120 VOLTS)

: VOLTAGE READING MAY 20%

Schematic Diagram

STEREO CONTROL AMPLIFIER RC-980BX





FUSE VALUE

	STD	EUR
F901	1A	Ⓢ T1A
F902		

HEADPHONES

POWER SW
S001

SPARK KILLER
C002
4700P

POWER

016X
-1174-02

AC01

AC02

100V 120V ONLY

T001
022T-1036S03

240V AC7

230V AC6

120V AC5

100V AC4

0V (WHT) AC3

11 11

13 13

E2

E1

P901 AC9

P902 AC8

D901 KBPC602 BR64

C905 50/4700

C906 50/4700

C902 0.01

C903 0.01

C904 500/0.01

R442

R440

C424

R438

C422

C426

C430

C428

C432

C427

C431

C429

C425

C423

C421

C420

C419

C418

C417

C416

C415

C414

C413

C412

C411

C410

C409

C408

C407

C406

C405

C404

C403

C402

C401

C400

C399

C398

C397

C396

C395

C394

C393

C392

C391

C390

C389

C388

C387

C386

C385

C384

C383

C382

C381

C380

C379

C378

C377

C376

C375

C374

C373

C372

C371

C370

C369

C368

C367

C366

C365

C364

C363

C362

C361

C360

C359

C358

C357

C356

C355

C354

C353

C352

C351

C350

C349

C348

C347

C346

C345

C344

C343

C342

C341

C340

C339

C338

C337

C336

C335

C334

C333

C332

C331

C330

C329

C328

C327

C326

C325

C324

C323

C322

C321

C320

C319

C318

C317

C316

C315

C314

C313

C312

C311

C310

C309

C308

C307

C306

C305

C304

C303

C302

C301

C300

C299

C298

C297

C296

C295

C294

C293

C292

C291

C290

C289

C288

C287

C286

C285

C284

C283

C282

C281

C280

C279

C278

C277

C276

C275

C274

C273

C272

C271

C270

C269

C268

C267

C266

C265

C264

C263

C262

C261

C260

C259

C258

C257

C256

C255

C254

C253

C252

C251

C250

C249

C248

C247

C246

C245

C244

C243

C242

C241

C240

C239

C238

C237

C236

C235

C234

C233

C232

C231

C230

C229

C228

C227

C226

C225

C224

C223

C222

C221

C220

C219

C218

C217

C216

C215

C214

C213

C212

C211

C210

C209

C208

C207

C206

C205

C204

C203

C202

C201

C200

C199

C198

C197

C196

C195

C194

C193

C192

C191

C190

C189

C188

C187

C186

C185

C184

C183

C182

C181

C180

C179

C178

C177

C176

C175

C174

C173

C172

C171

C170

C169

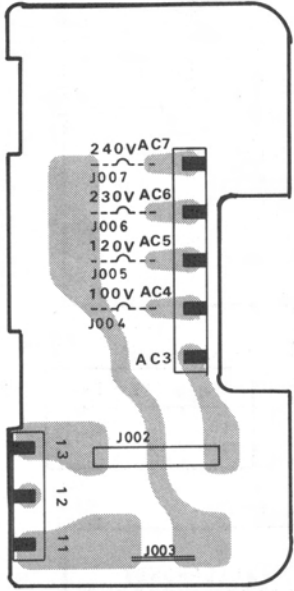
C168

C167

C166

PCB Assembly

X-1174-02 PCB



X-1174-01 PCB

