

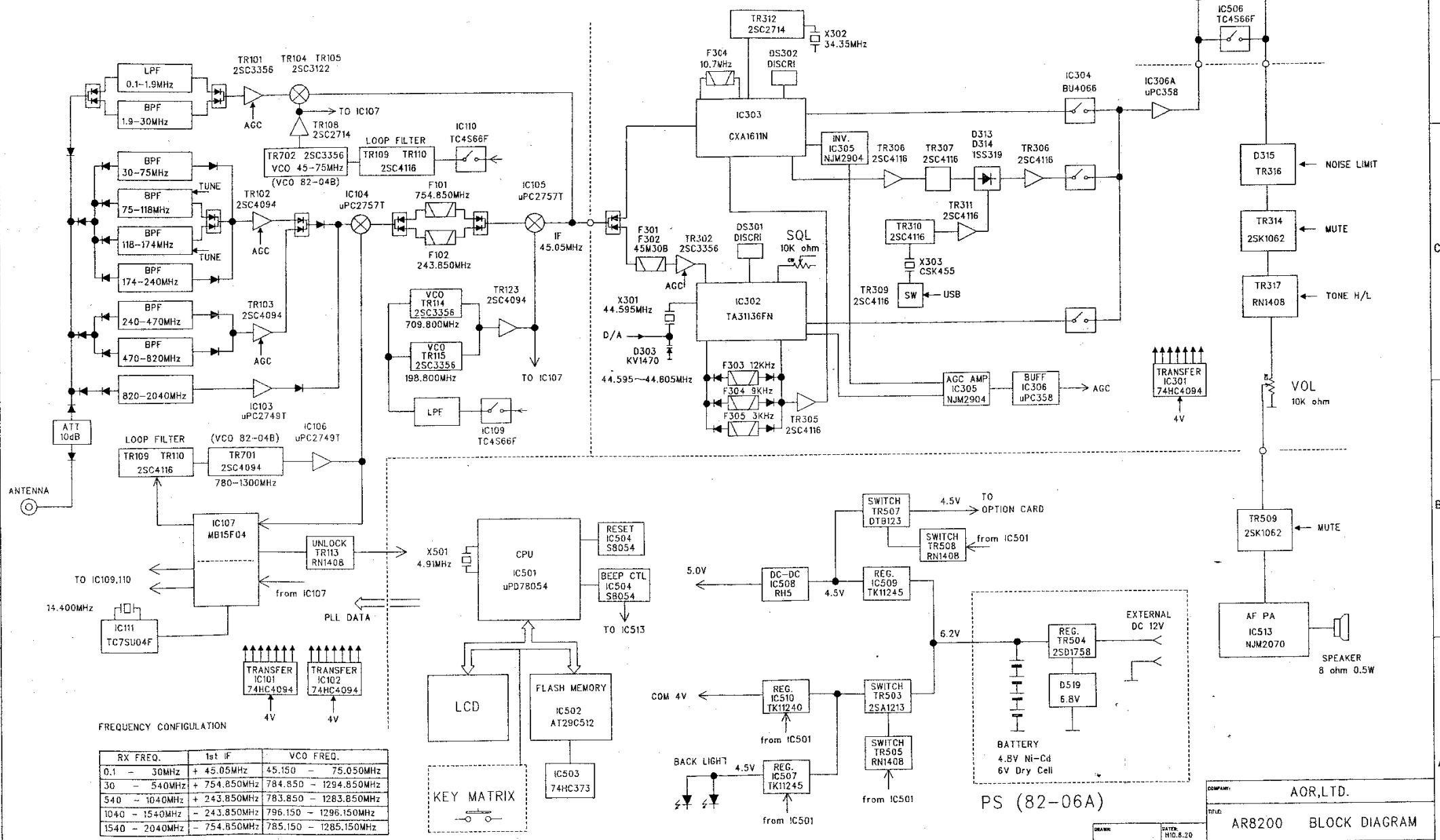
# BLOCK DIAGRAM

Downloaded by   
  
**Amateur Radio Directory**

APPROVAL RECORD			
LIB.	ECG NO.	APPROVED	DATE

RF (82-01B)

IF (82-02A)



FREQUENCY CONFIGURATION

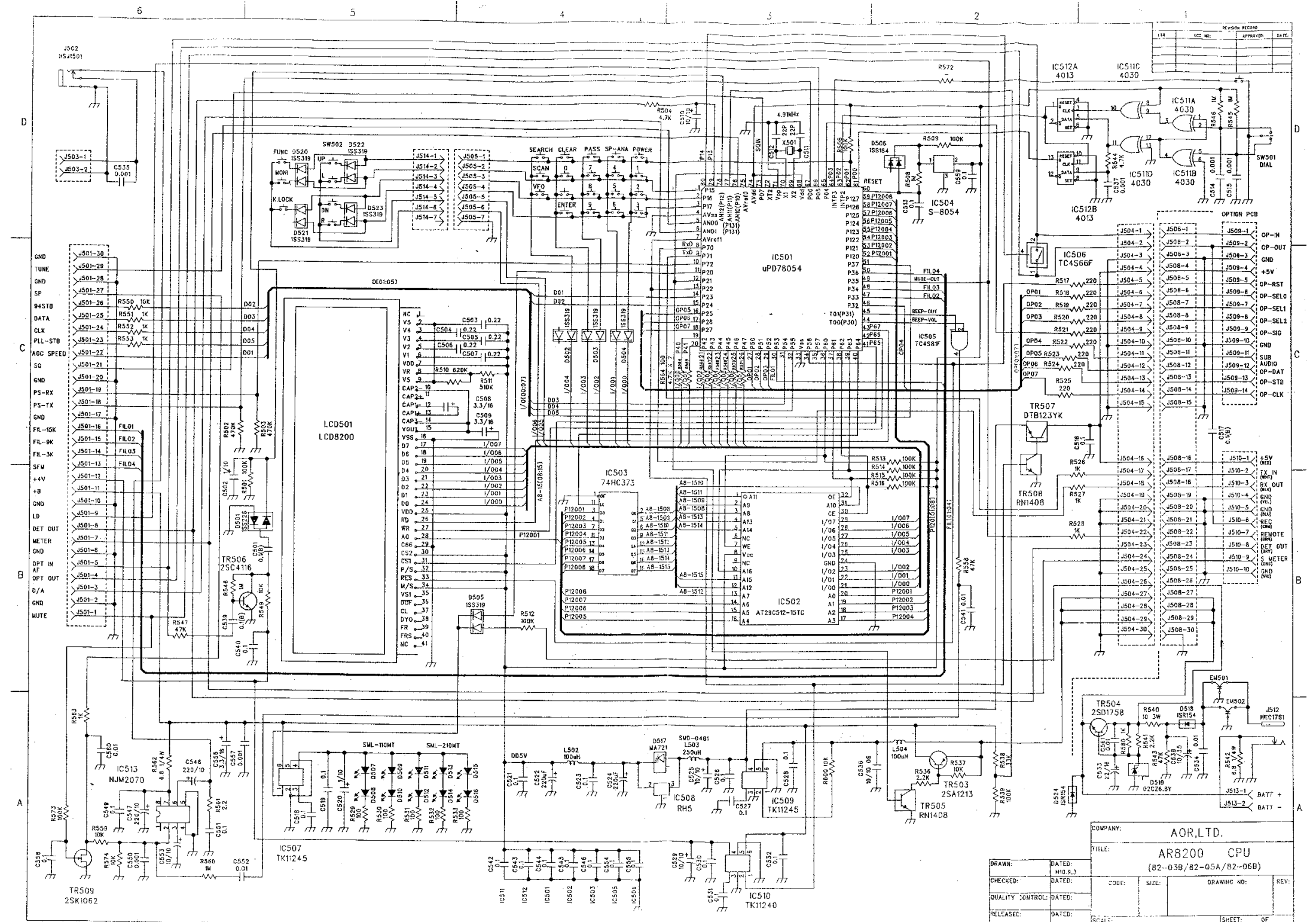
RX FREQ.	1st IF	VCO FREQ.
0.1 - 30MHz	+ 45.05MHz	45.150 - 75.050MHz
30 - 540MHz	+ 754.850MHz	784.850 - 1294.850MHz
540 - 1040MHz	+ 243.850MHz	783.850 - 1283.850MHz
1040 - 1540MHz	- 243.850MHz	796.150 - 1296.150MHz
1540 - 2040MHz	- 754.850MHz	785.150 - 1285.150MHz

DRAWN:		DATE: 8.20	
CHECKED:		DATE:	
QUALITY CONTROL:		DATE:	
RELEASED:		DATE:	
SCALE:			
SHEET: 01 OF 01			

AOR,LTD.  
**AR8200 BLOCK DIAGRAM**

CPU (82-03A)

PS (82-06A)



REV	DESCRIPTION	DATE
1	ISSUED	

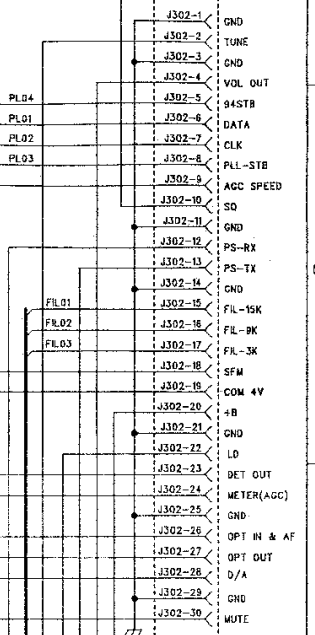
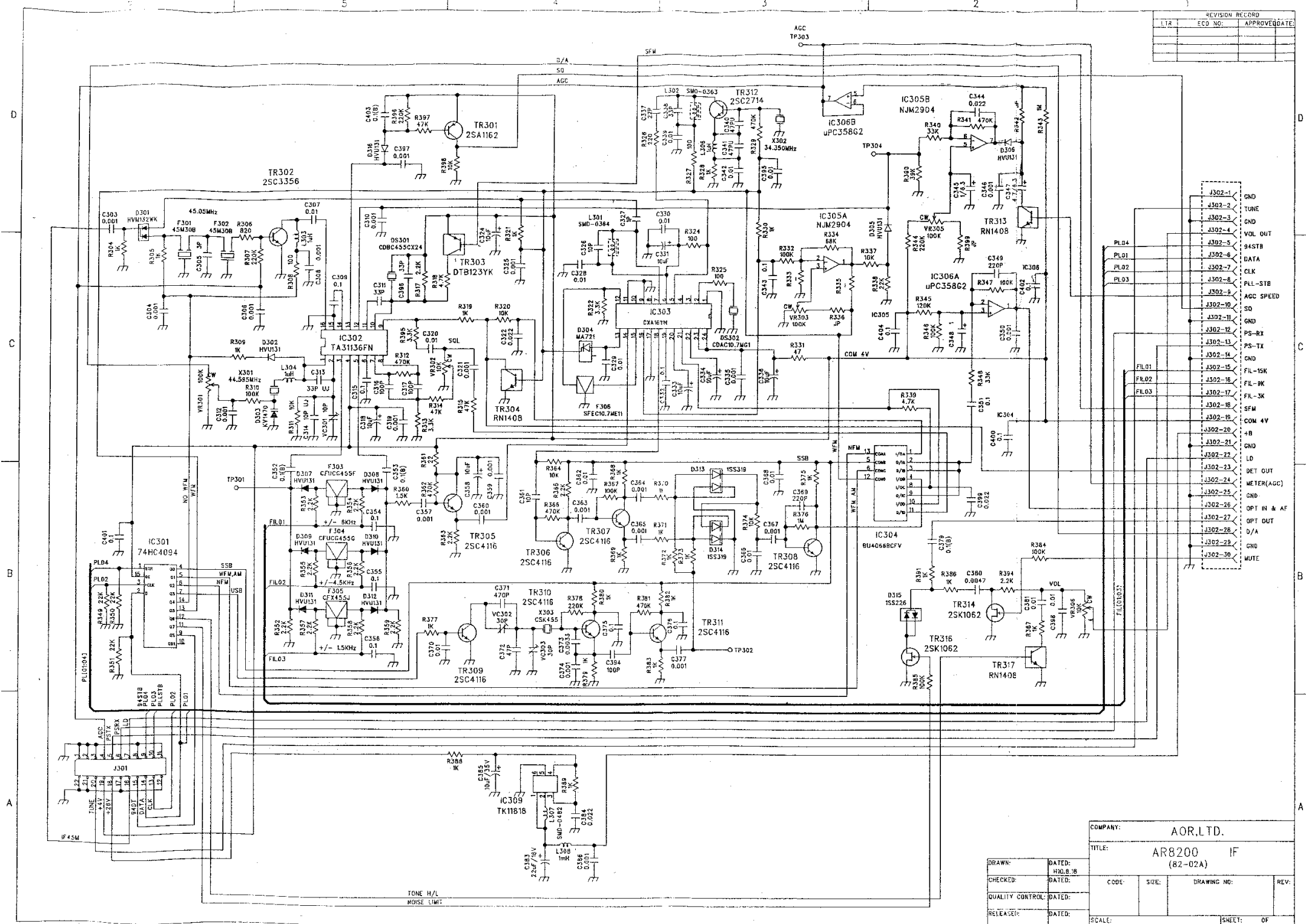
COMPANY: **AOR.LTD.**

TITLE: **AR200 CPU**  
(82-039/82-05A/82-06B)

DRAWN: \_\_\_\_\_ DATED: \_\_\_\_\_  
 CHECKED: \_\_\_\_\_ DATED: \_\_\_\_\_  
 QUALITY CONTROL: \_\_\_\_\_ DATED: \_\_\_\_\_  
 RELEASED: \_\_\_\_\_ DATED: \_\_\_\_\_

SCALE: \_\_\_\_\_ SHEET: \_\_\_\_\_ OF \_\_\_\_\_

REVISION RECORD		
LT	ECO NO.	APPROVED DATE

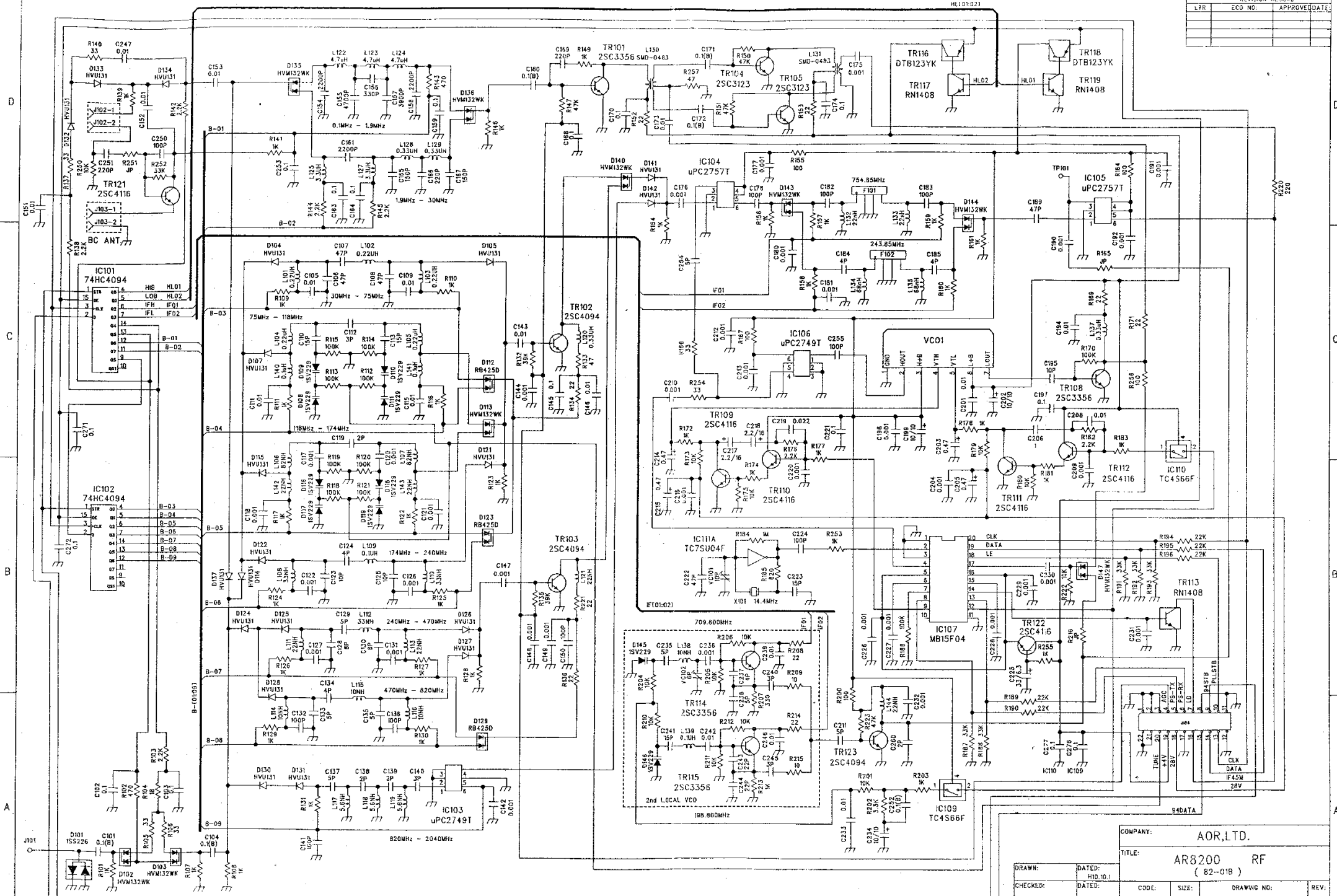


COMPANY:		AOR,LTD.	
TITLE:		AR8200 IF (82-02A)	
DRAWN:	DATED:	CODE:	SIZE:
CHECKED:	DATED:	DRAWING NO.:	REV.:
QUALITY CONTROL:	DATED:	SCALE:	SHEET: OF
RELEASE:	DATED:		

IC309  
TK11818

TONE H/L  
NOISE LIMIT

REVISION		RECORD	
L/R	ECO NO.	APPROVE	DATE



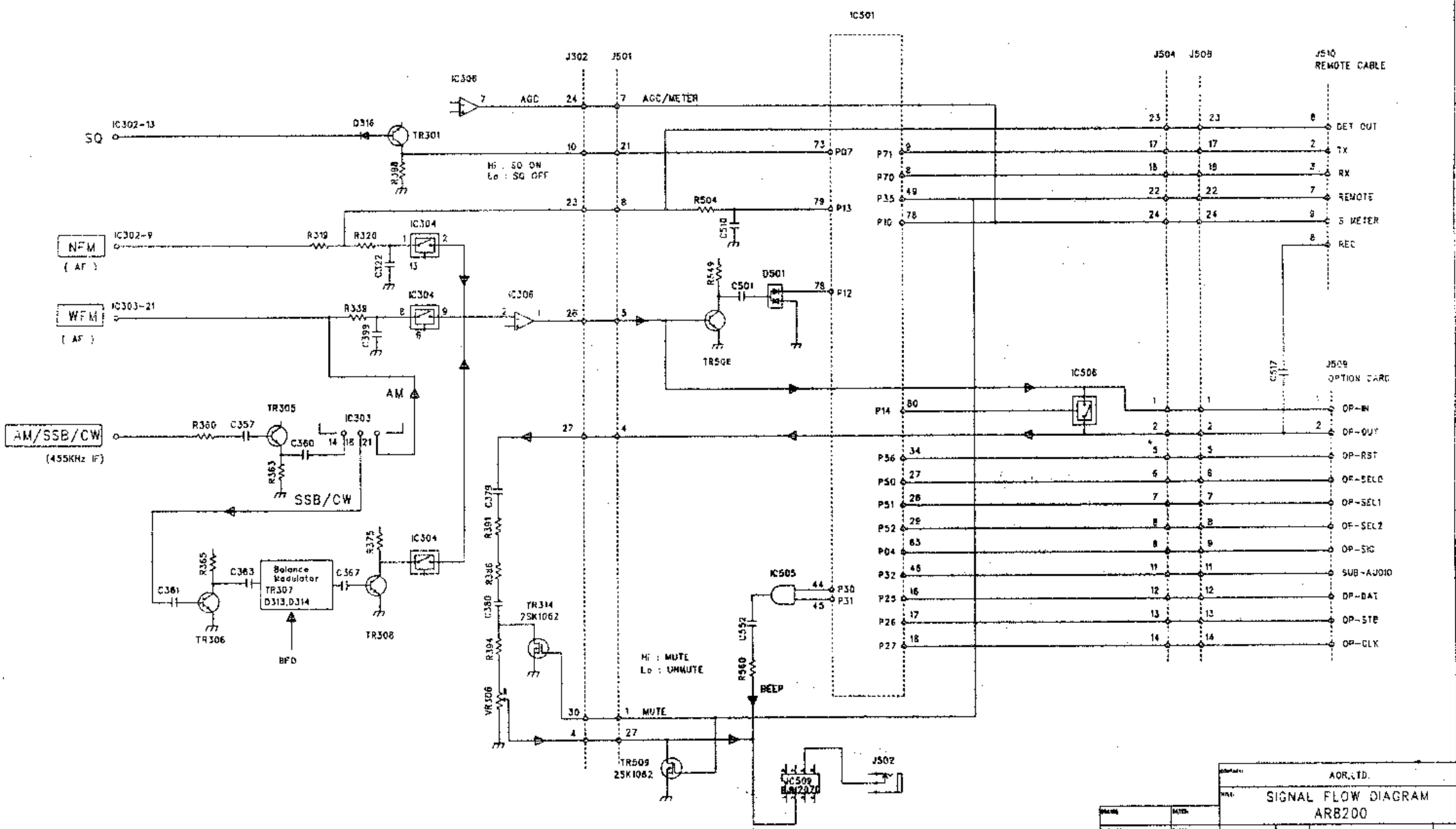
COMPANY:		AOR, LTD.	
TITLE:		AR8200 RF (82-01B)	
DRAWN:	DATED:	CODE:	SIZE:
CHECKED:	DATED:	DRAWING NO.:	REV.:
QUALITY CONTROL:	DATED:	SCALE:	SHEET: 0F
RELEASED:	DATED:		

Revision History			
LT#	REV. NO.	APPROVED	DATE

IF (82-02A)

CPU (82-03A)

PS (82-06A)

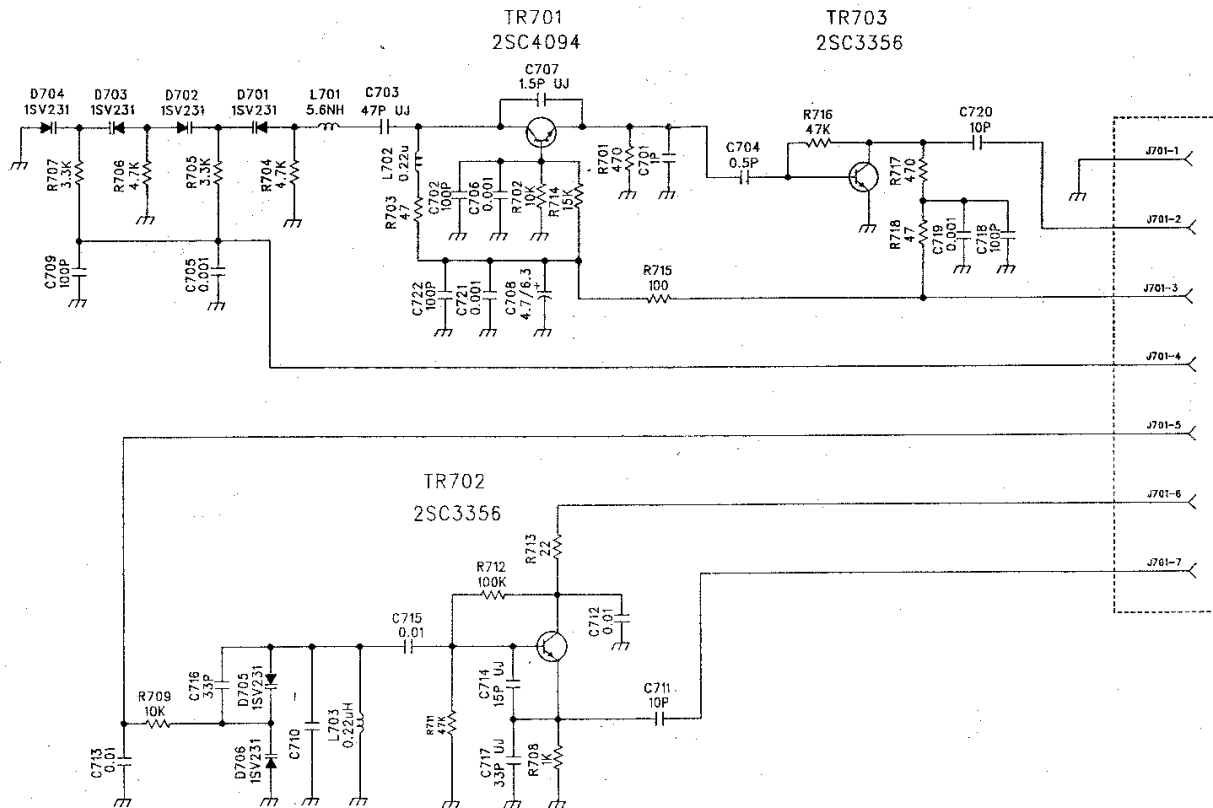


AOR, LTD.

SIGNAL FLOW DIAGRAM  
ARB200

DATE:		BY:			

REVISION RECORD			
LT#	LOG NO.	APPROVED	DATE



**Downloaded by**   
  
**Amateur Radio Directory**

COMPANY: AOR,LTD.					
TITLE: AR8200 VCO (82-04B)					
DRAWN:	DATE:	CHKD:	SIZE:	DRAWING NO.:	REV:
CHECKER:	DATE:				
QUALITY CONTROL:	DATE:				
RELEASED:	DATE:				