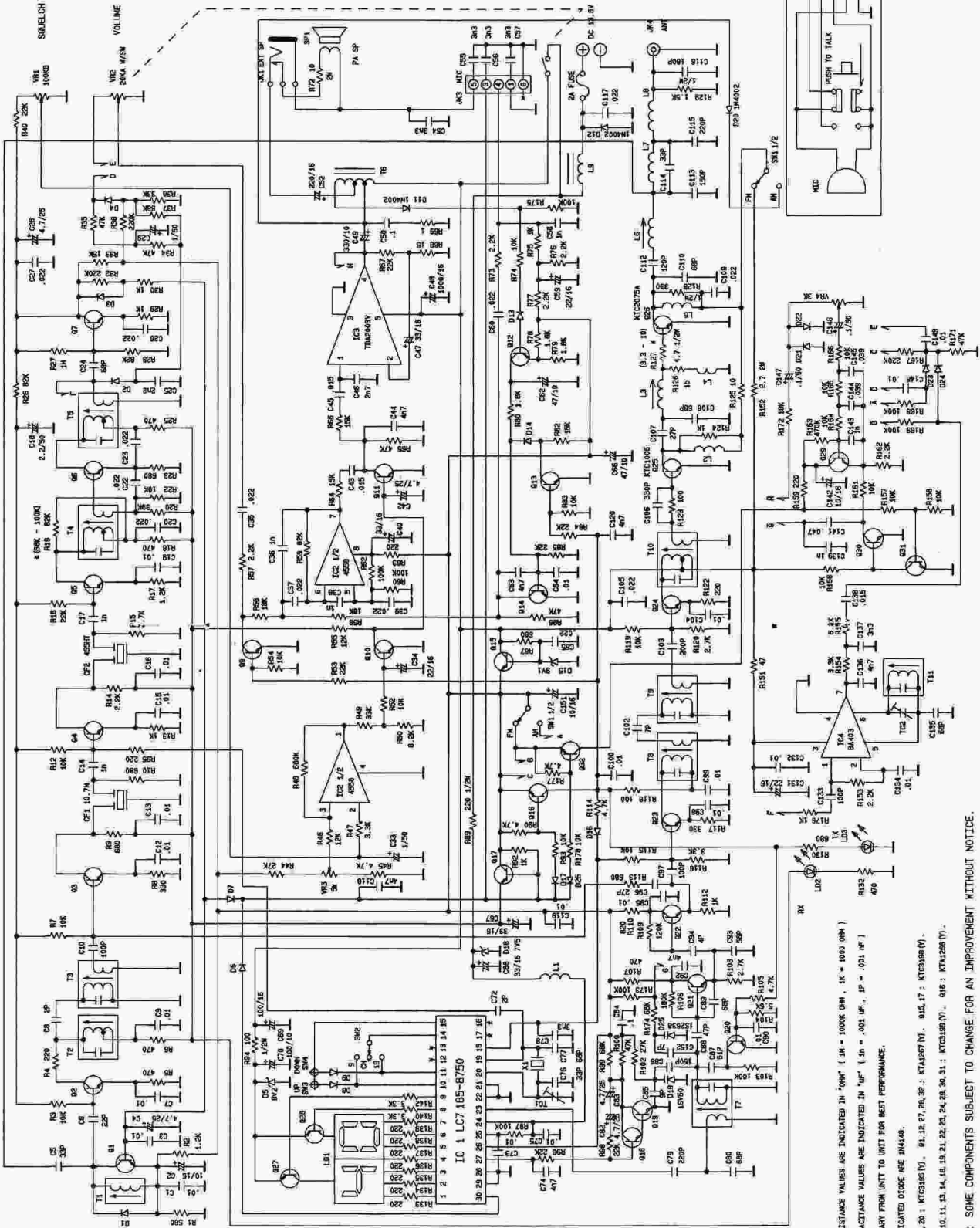


ELECTRICAL DIAGRAM



- NOTES :
- 1) ALL RESISTANCE VALUES ARE INDICATED IN  $\Omega$  UNLESS OTHERWISE SPECIFIED (1K = 1000 OHM, 1M = 1000000 OHM)
  - 2) ALL CAPACITANCE VALUES ARE INDICATED IN  $\mu$ F UNLESS OTHERWISE SPECIFIED (1P = .001 UF, 1N = .0001 UF)
  - 3) \* MAY VARY FROM UNIT TO UNIT FOR BEST PERFORMANCE.
  - 4) INT INDICATED COILS USE IN4146.

IC1, LC1 1/2 : KT438 (M), R1, R2, R3, R4, R5, R6, R7, R8, R9, R10, R11, R12, R13, R14, R15, R16, R17, R18, R19, R20, R21, R22, R23, R24, R25, R26, R27, R28, R29, R30, R31 : KT438 (M), R32, R33, R34, R35, R36, R37, R38, R39, R40 : KT438 (M).

REMARK : SOME COMPONENTS SUBJECT TO CHANGE FOR AN IMPROVEMENT WITHOUT NOTICE.