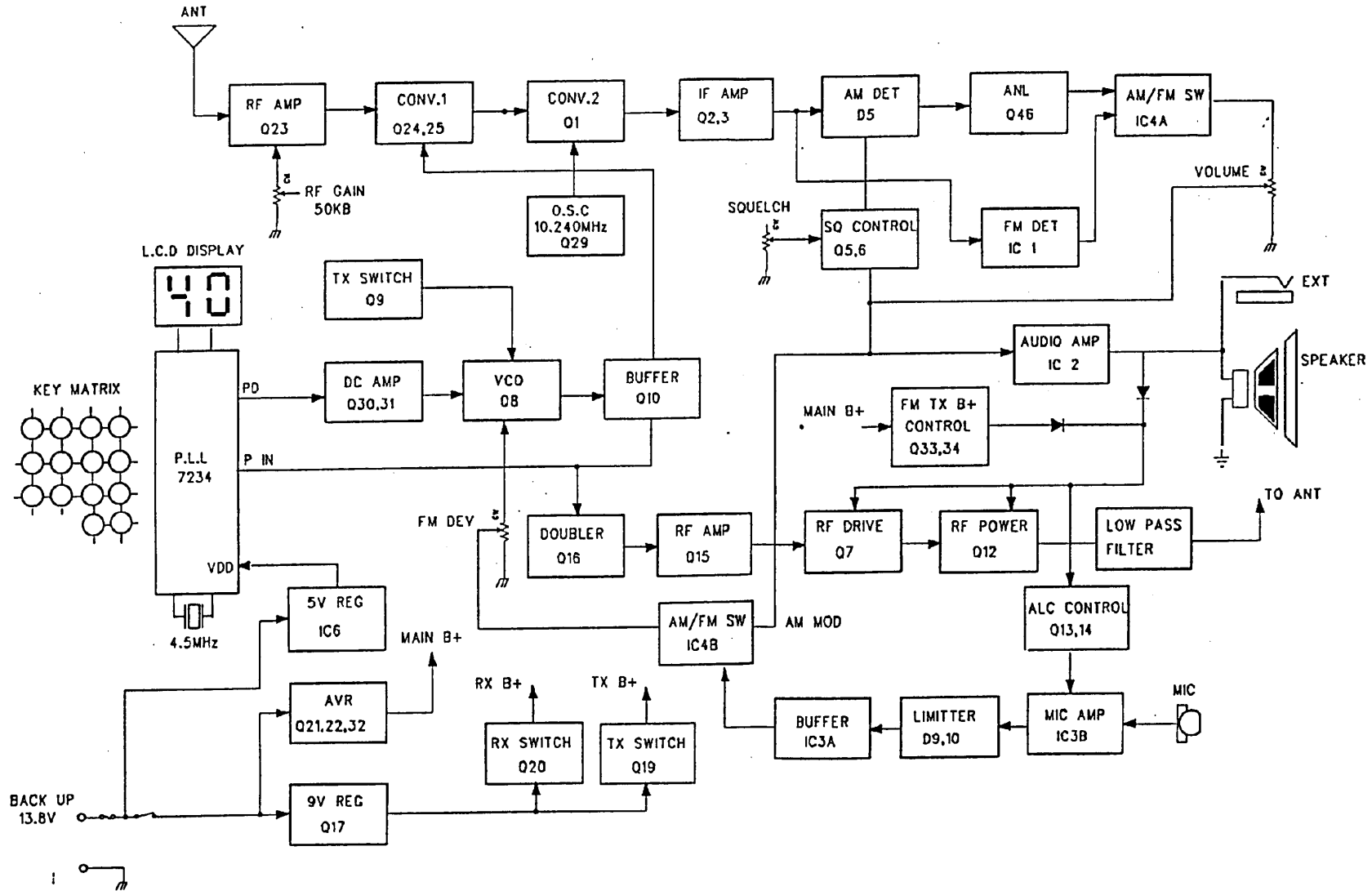
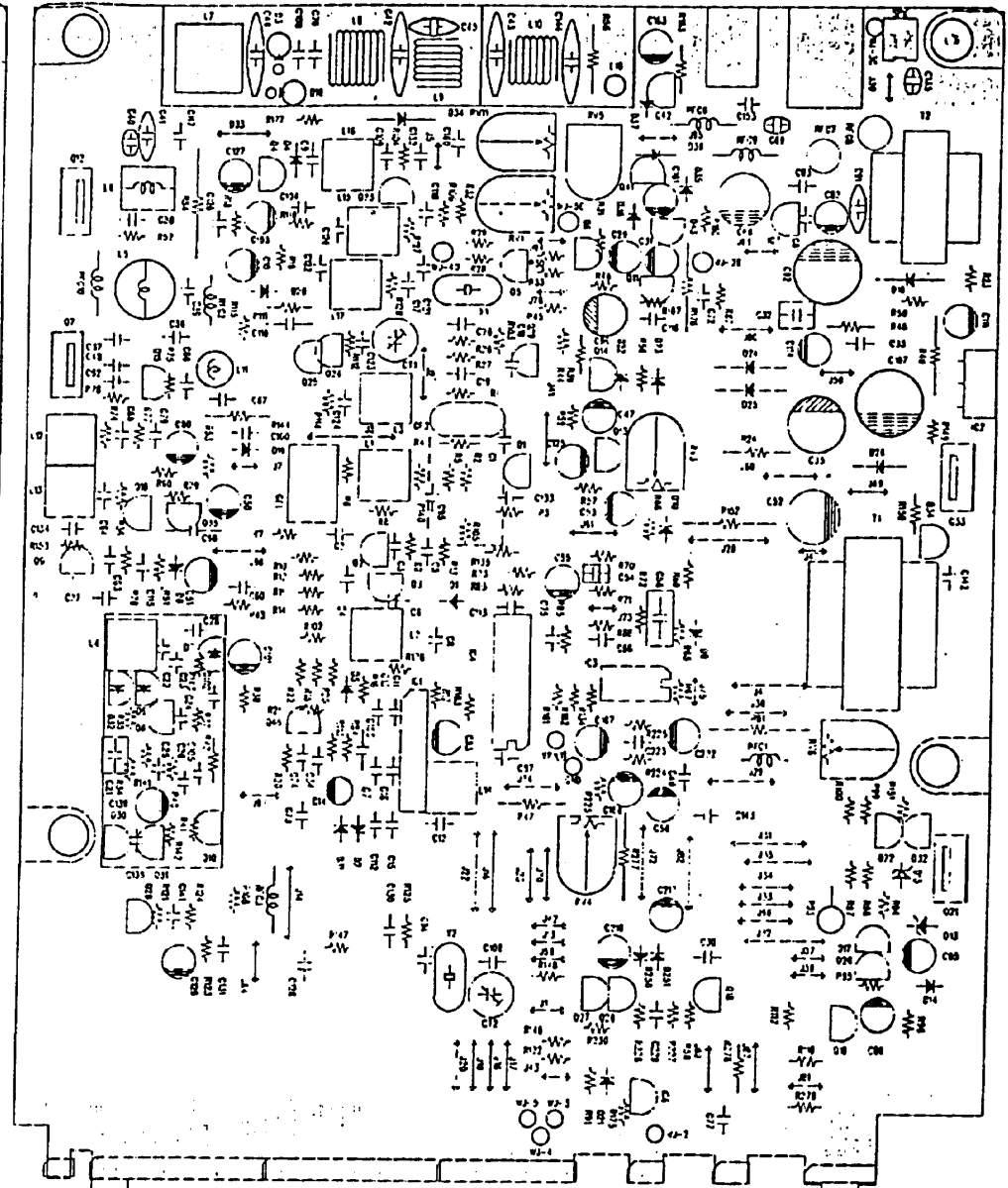
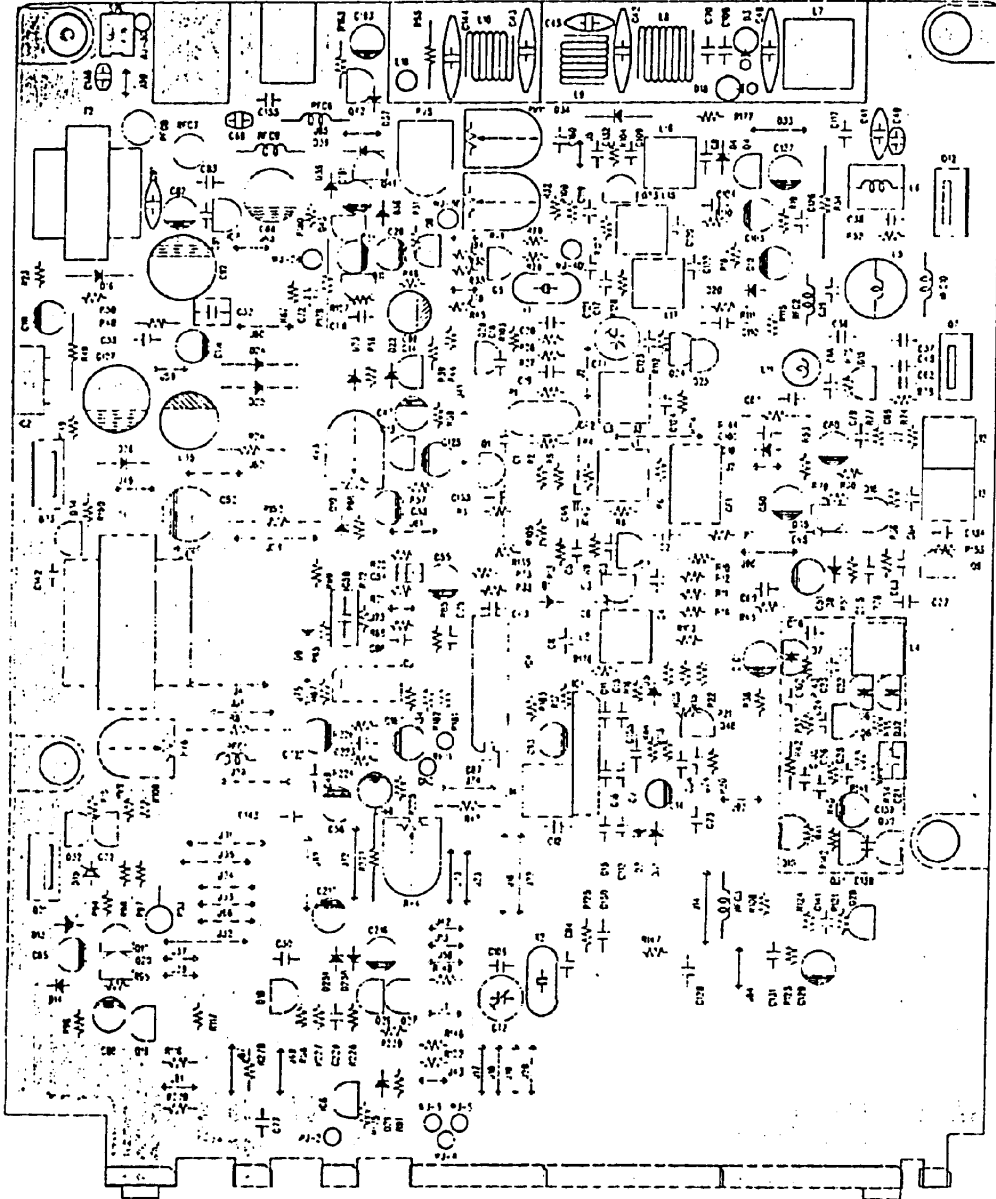




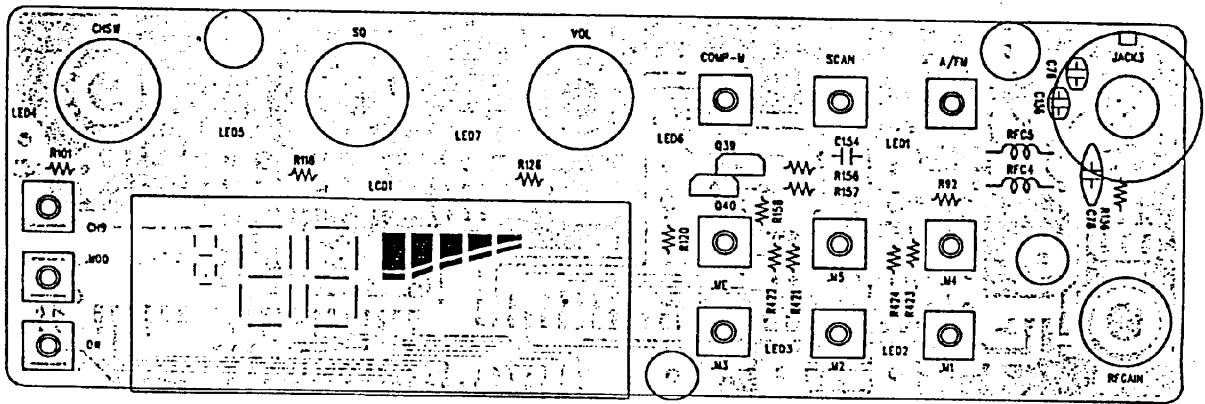
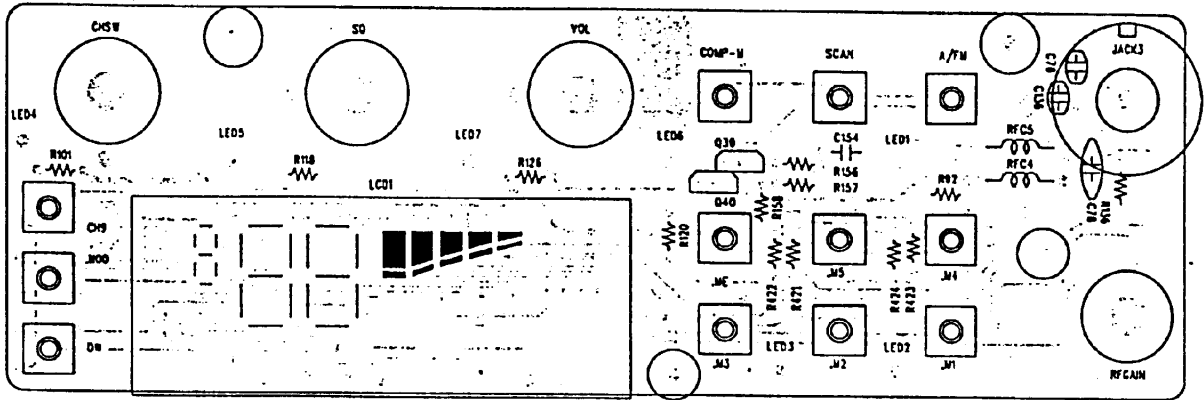
# FUNCTIONAL BLOCK DIAGRAM



# MAIN PCB



# FRONT PCB



# SUB PCB

