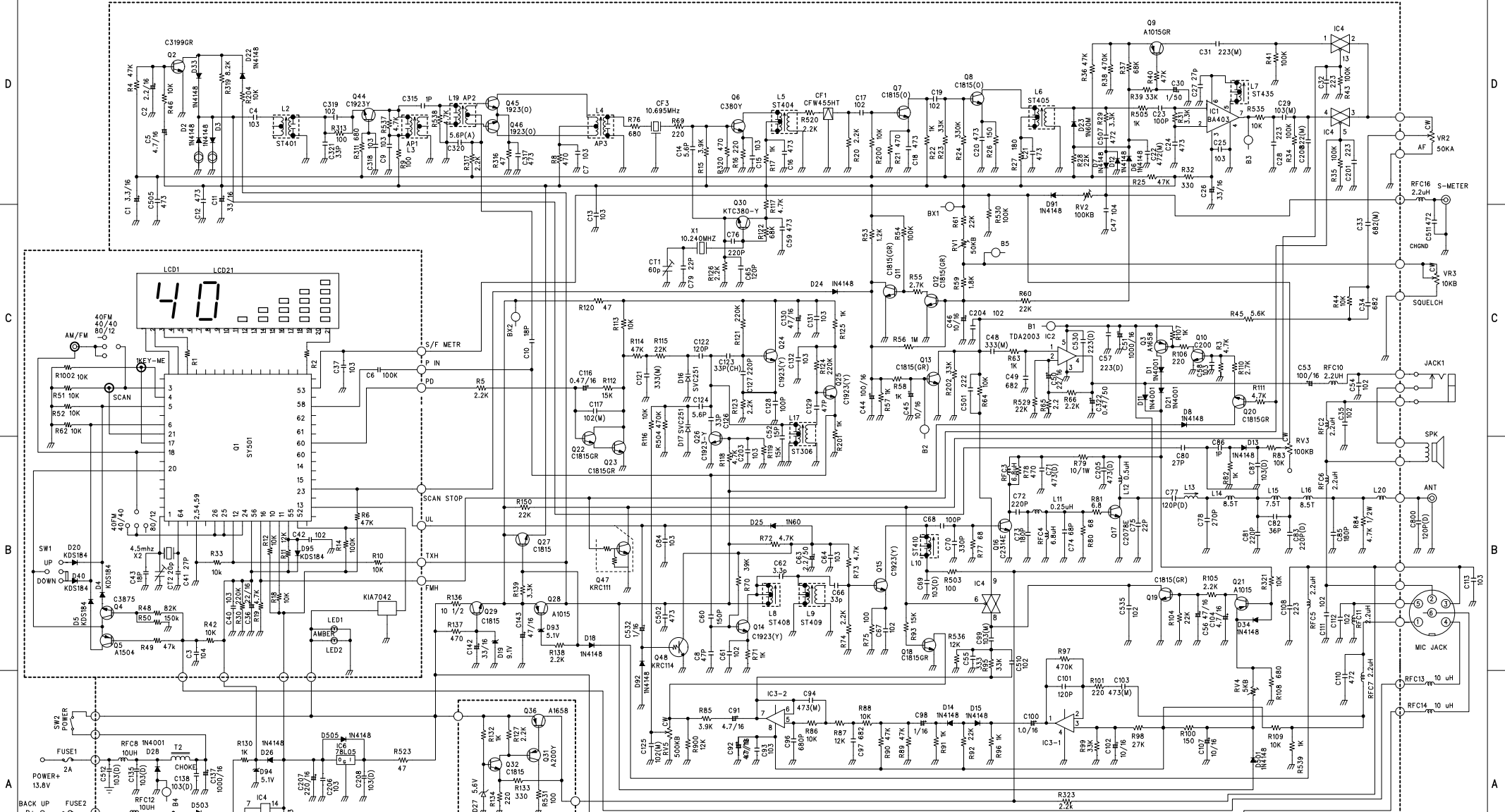


SCHEMATIC DIAGRAM



REV.	DATE	NAME	DESCRIPTION	CHECK
1	02/05/30			
2	01/09/01			

UNIT	SCALS	SHEET	BUYER NAME : ALBRECHT
DRW.	CHK.	APP.	MODEL NAME : AE5290
			DRAWING NO. : 5290-1