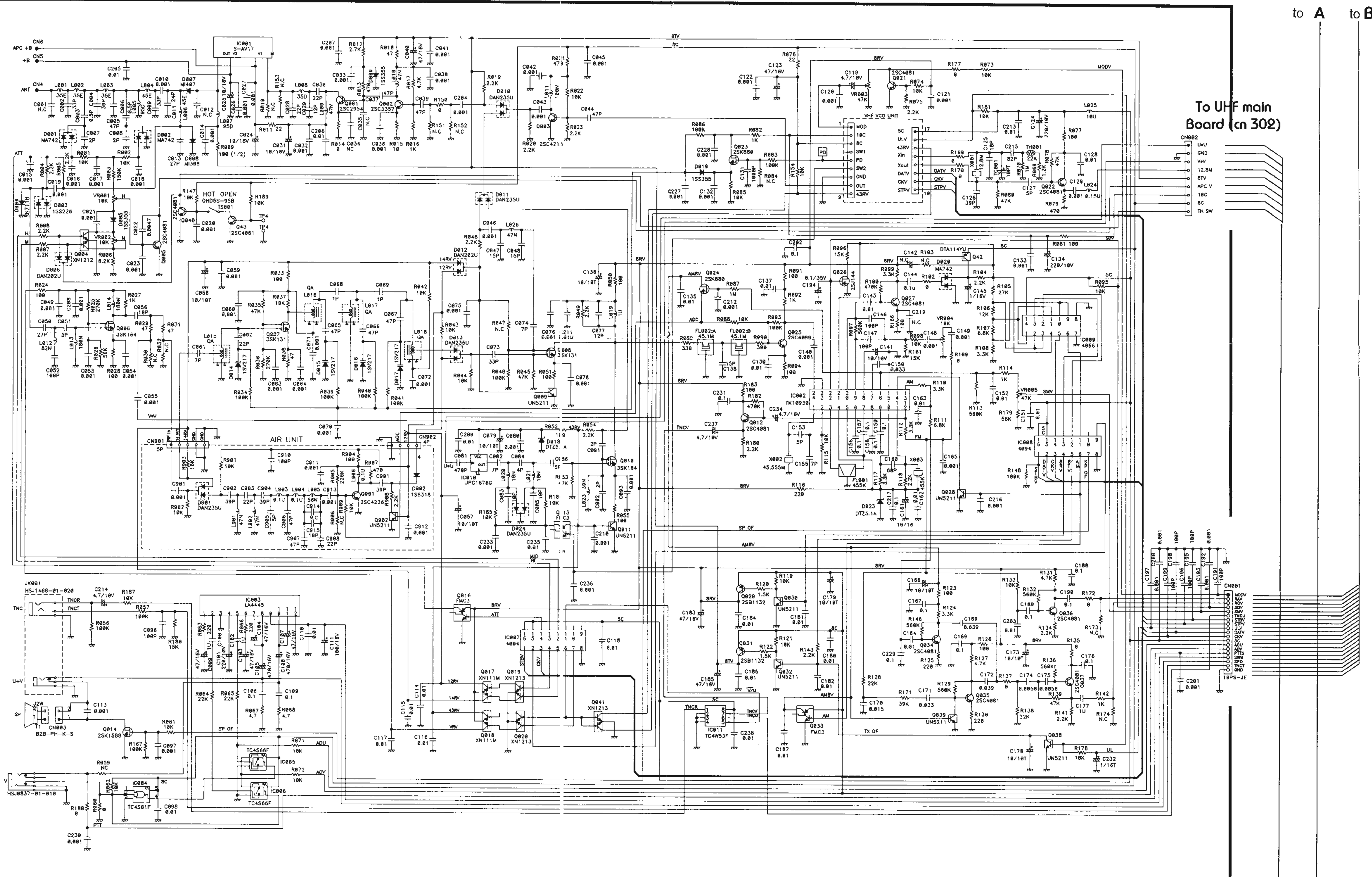


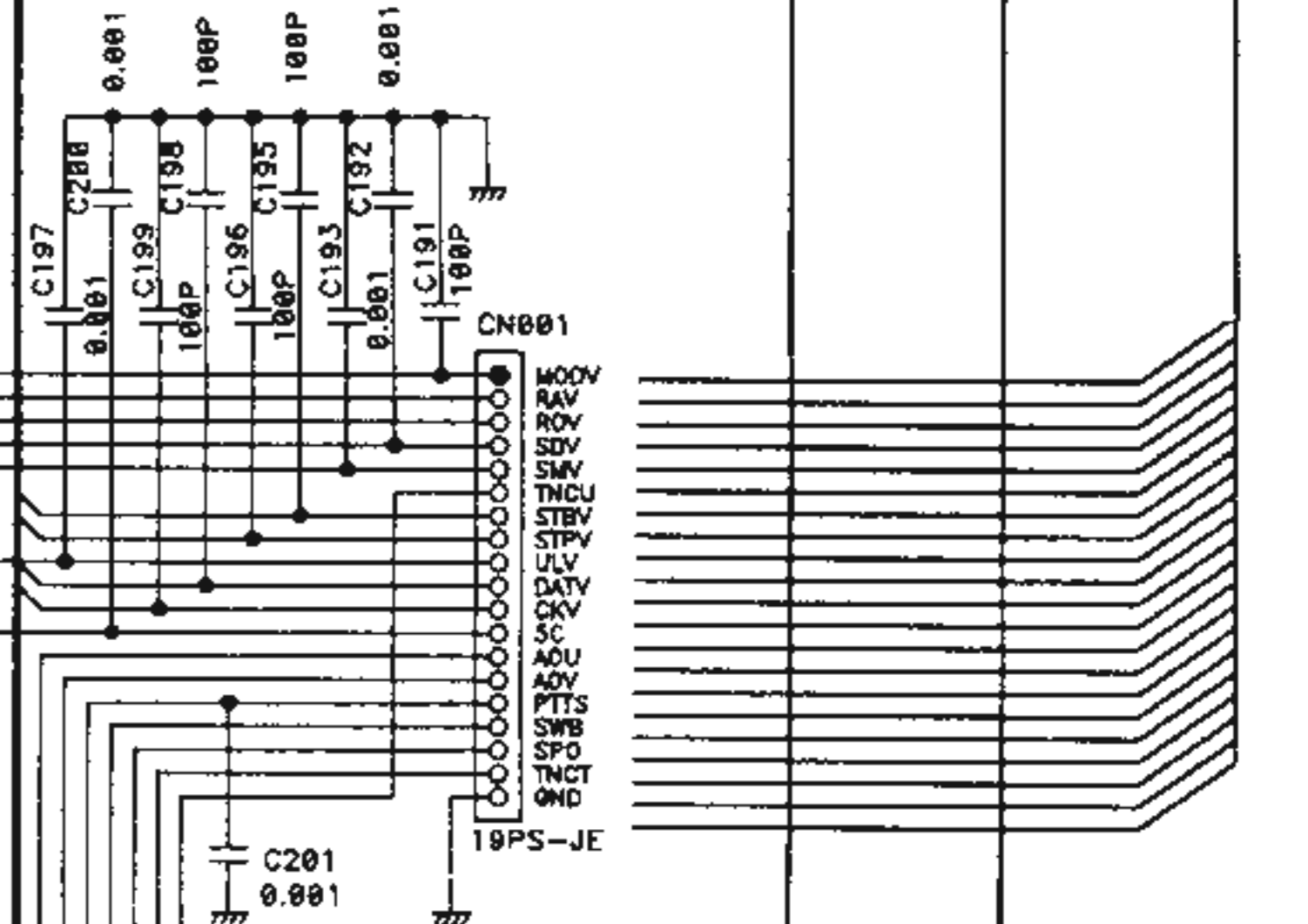
# SCHEMATIC DIAGRAM DR-610T/E

## VHF MAIN UNIT



To UHF main Board (cn 302)

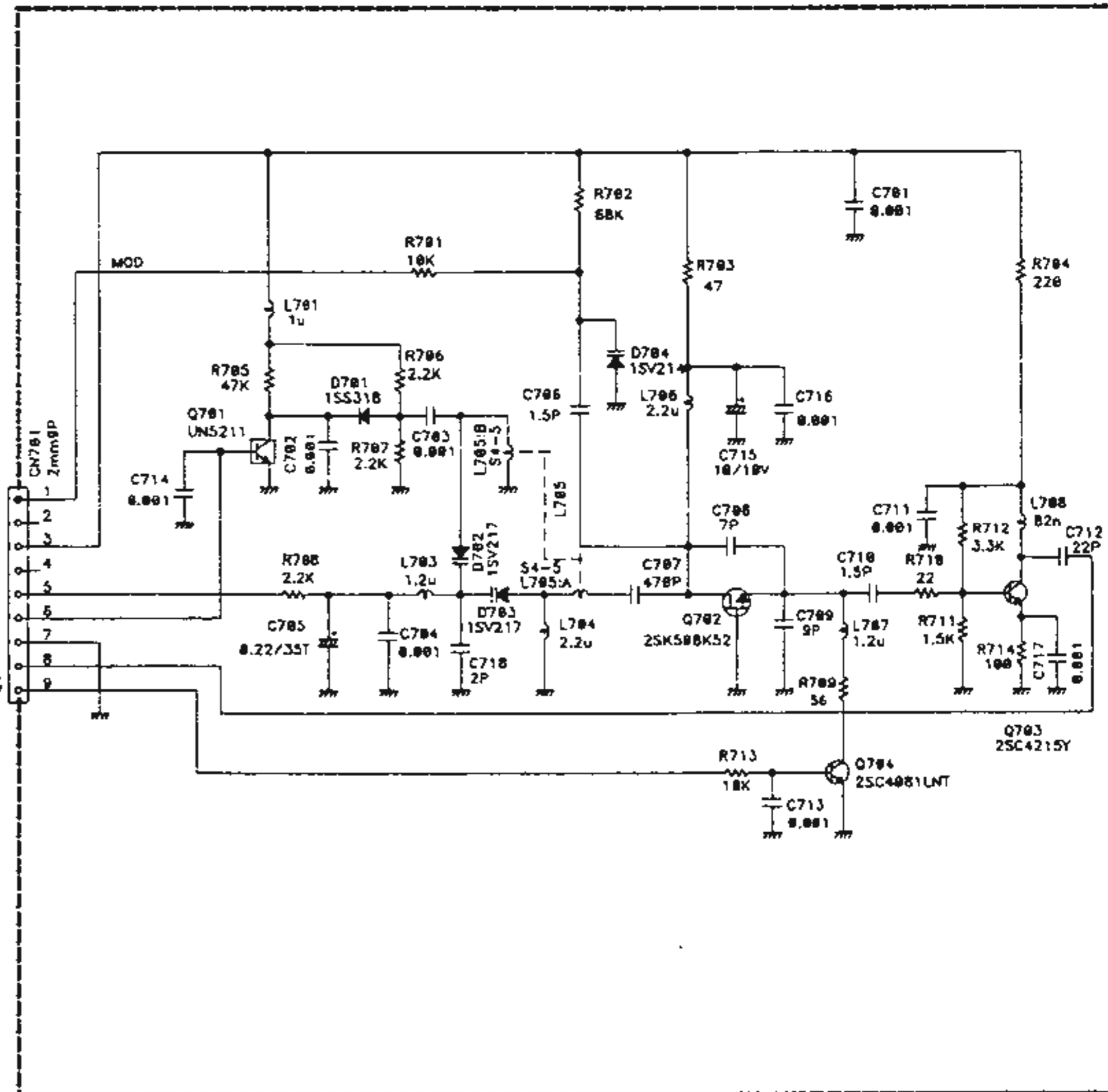
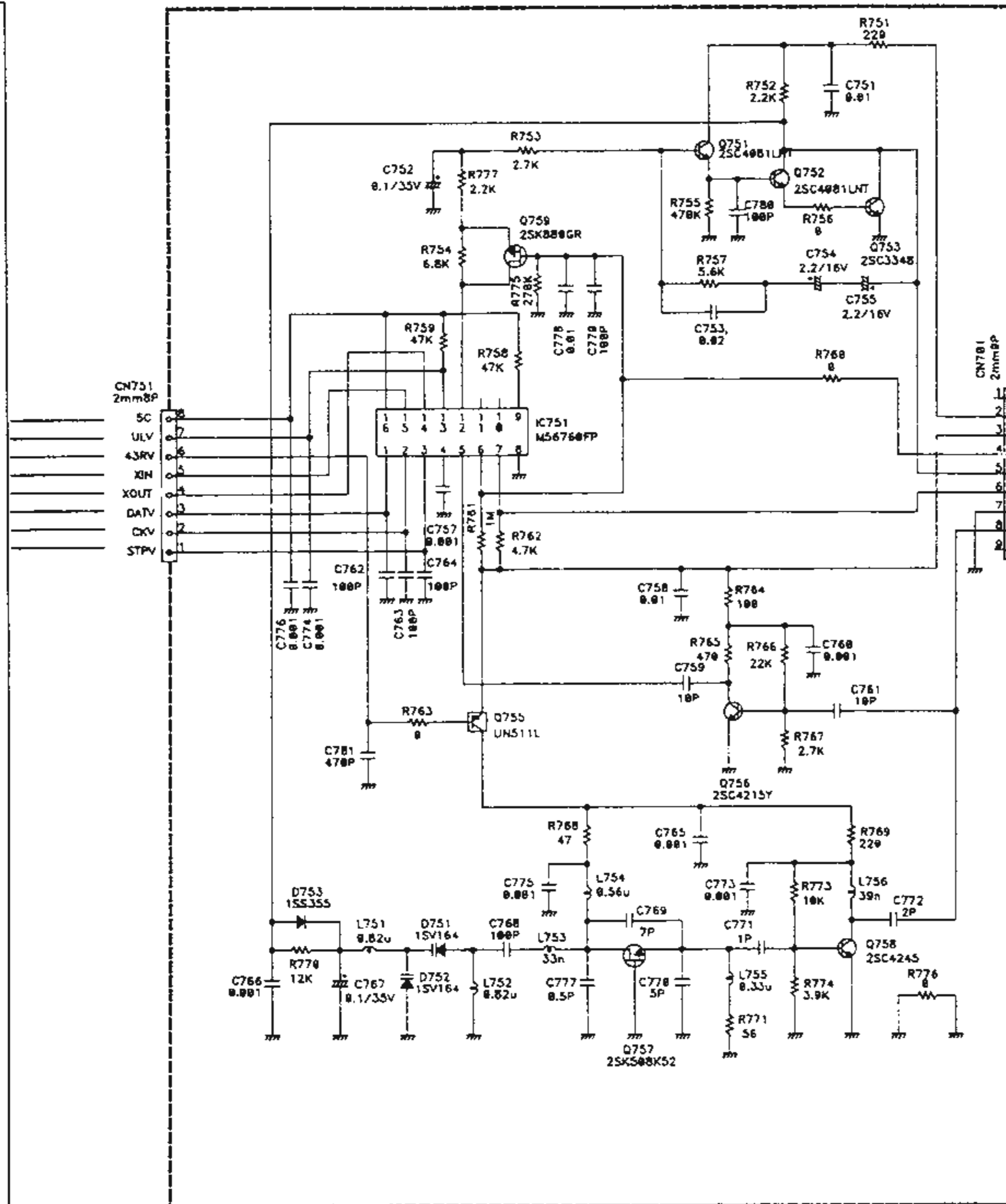
to A to B



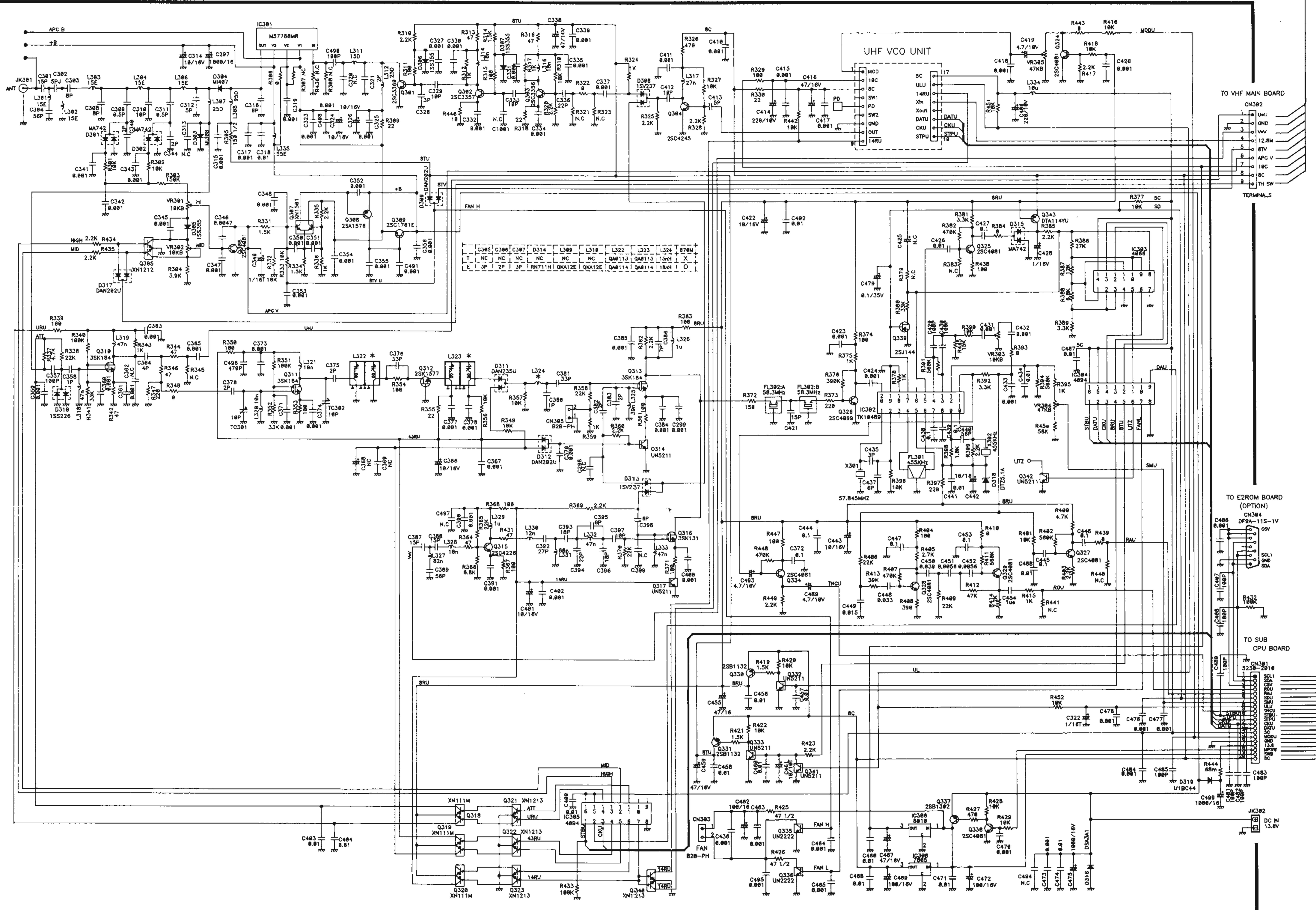
# VHF PLL UNIT

# VHF VCO UNIT

VHF PLL UNIT



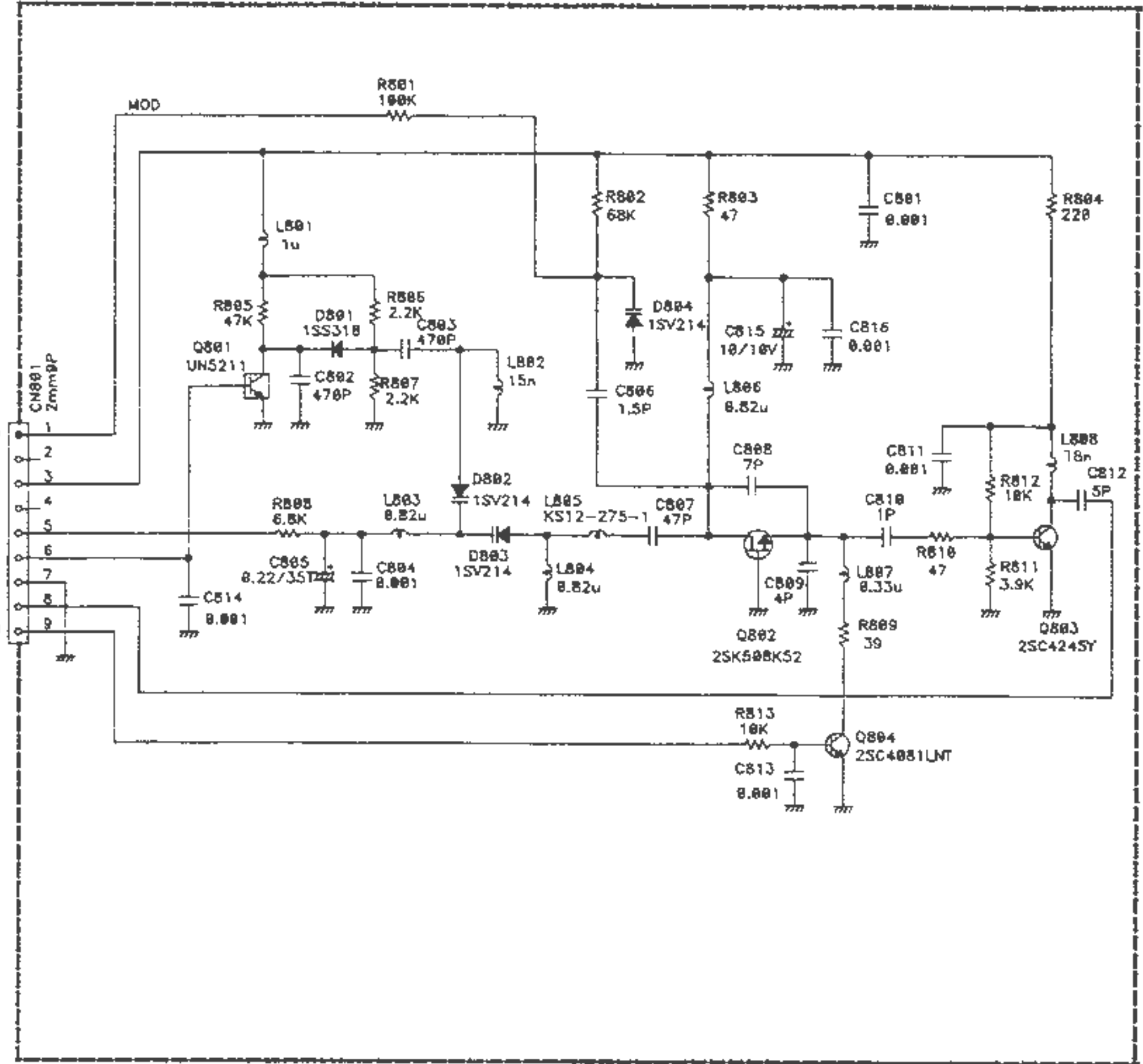
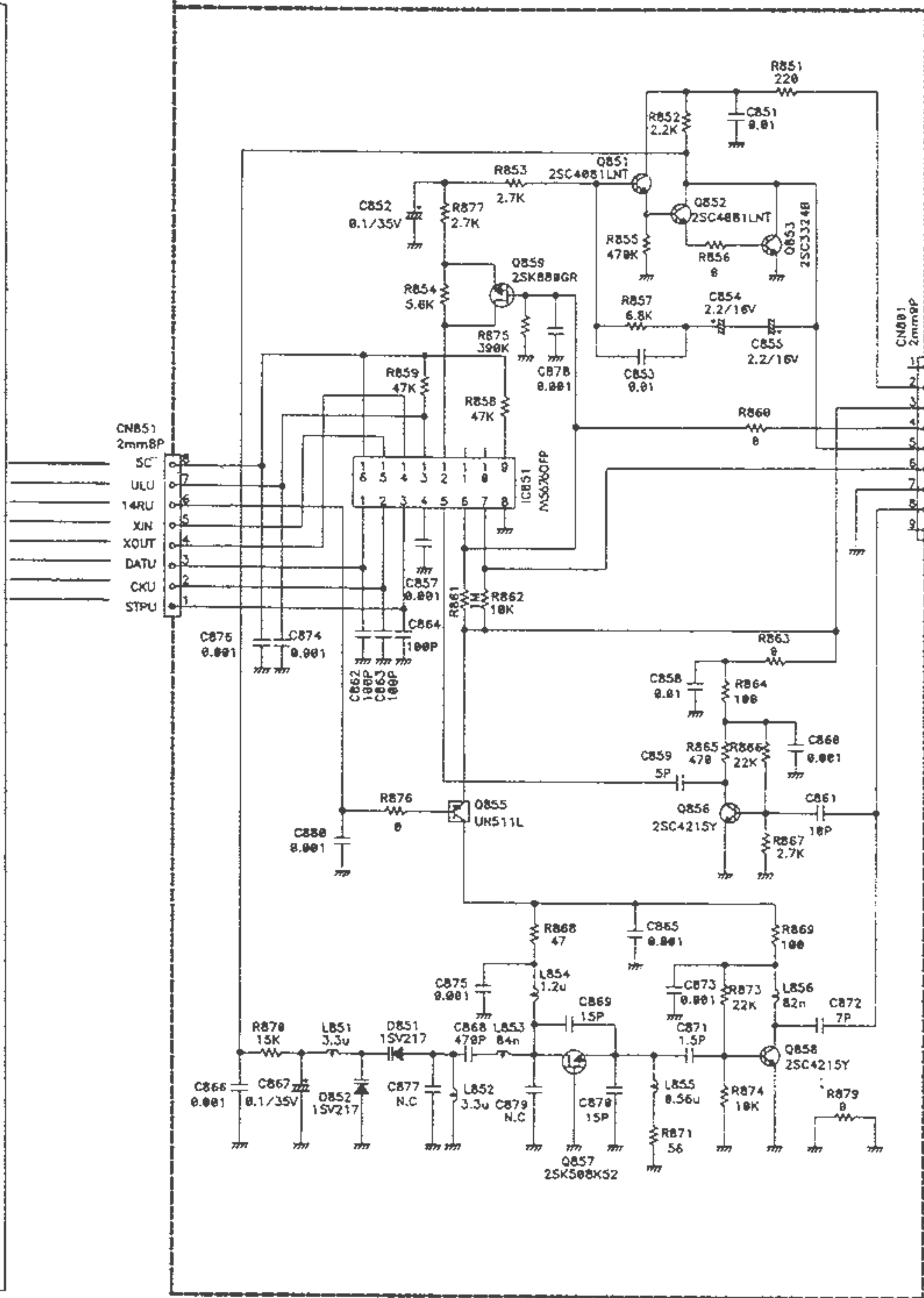
# UHF MAIN UNIT



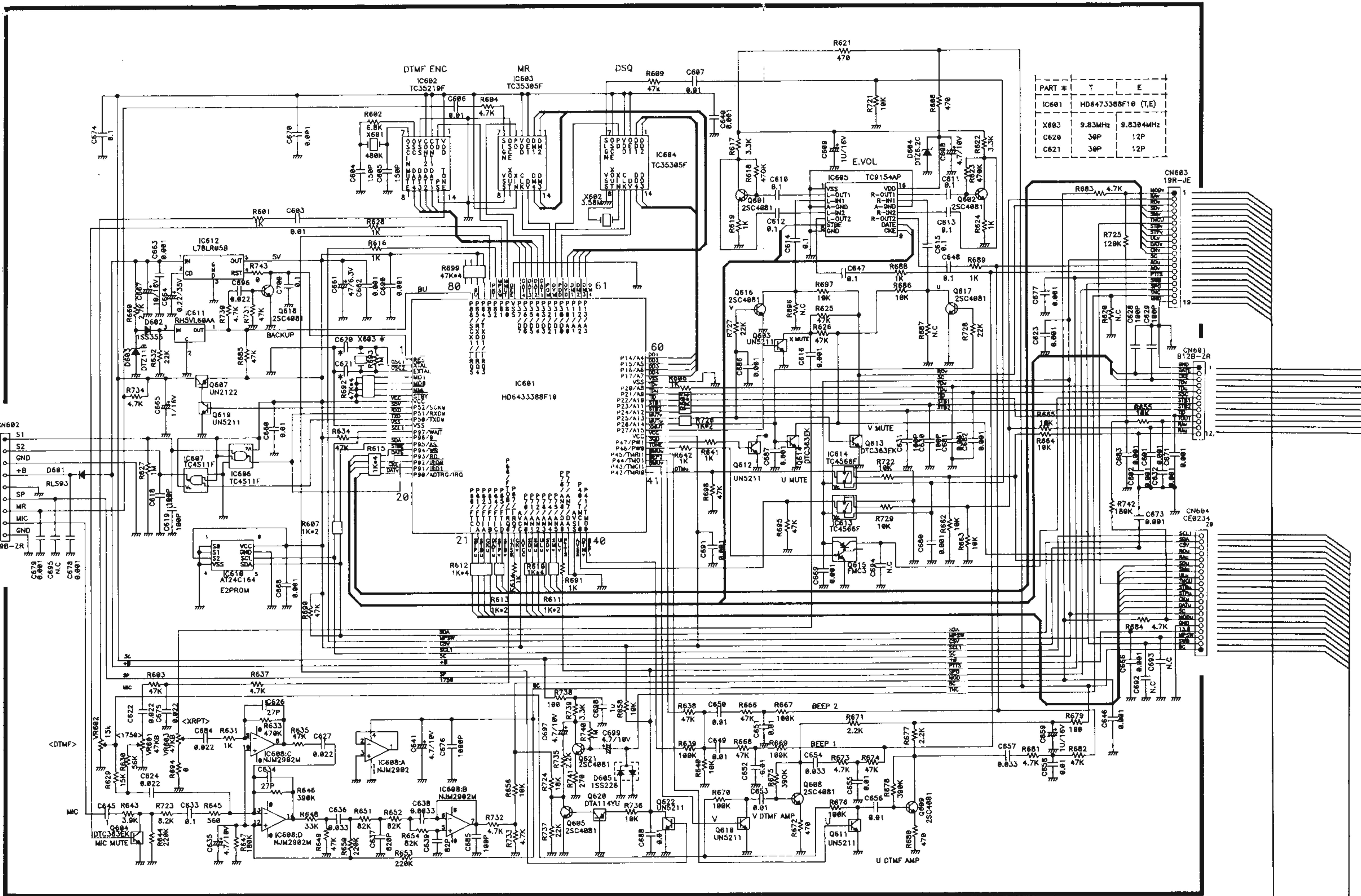
# UHF PLL UNIT

# UHF VCO UNIT

UHF MAIN UNIT



# SUB CPU UNIT



PART #	T	E
IC601	HD6473388F10 (T,E)	
X603	9.83MHz	9.8304MHz
C620	30P	12P
C621	30P	12P

ON CN 601  
SUB CPU UNIT

# ENC UNIT

