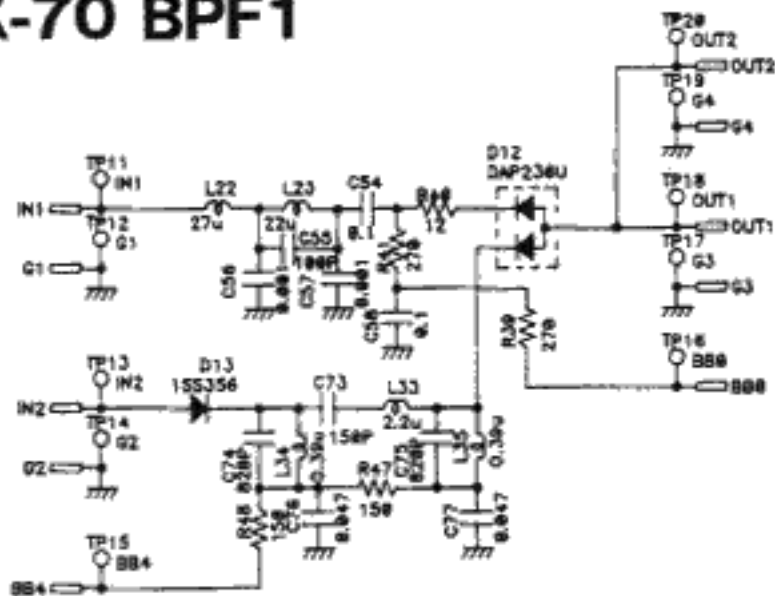
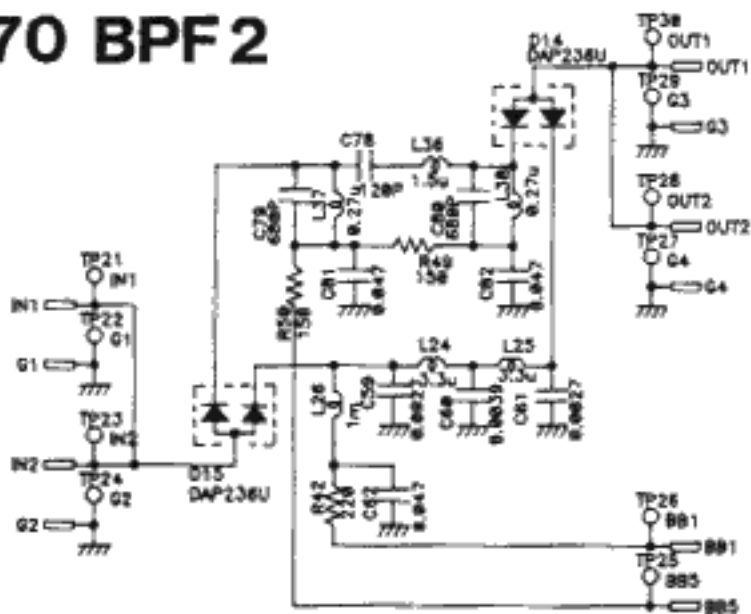


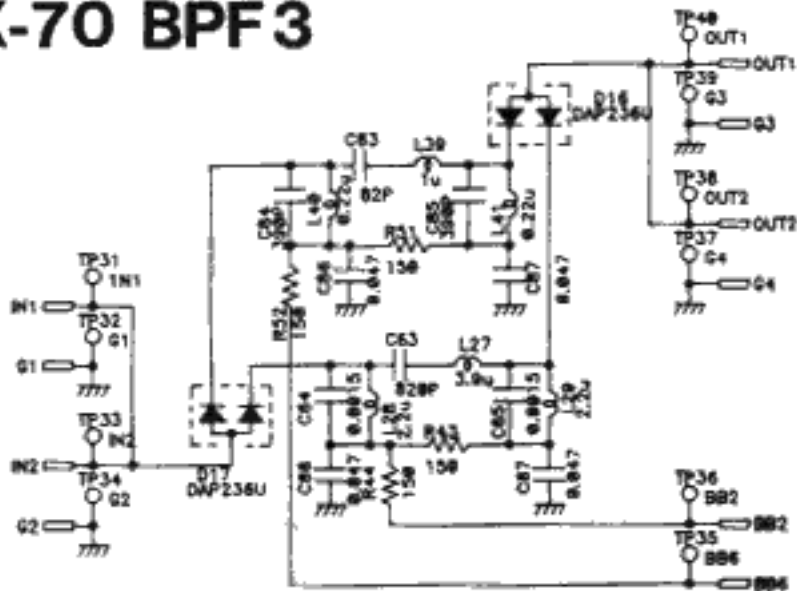
DX-70 BPF1



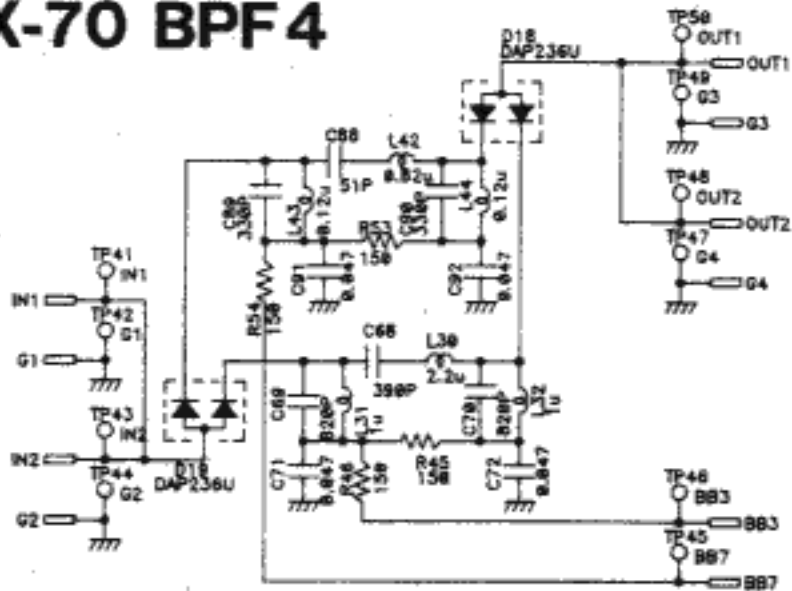
DX-70 BPF 2



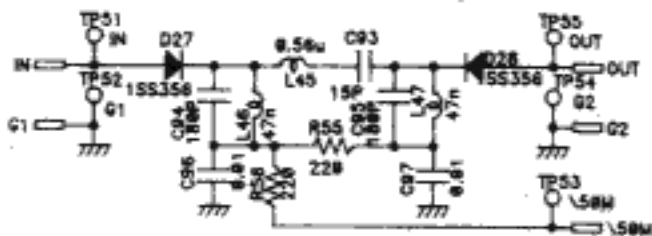
DX-70 BPF 3

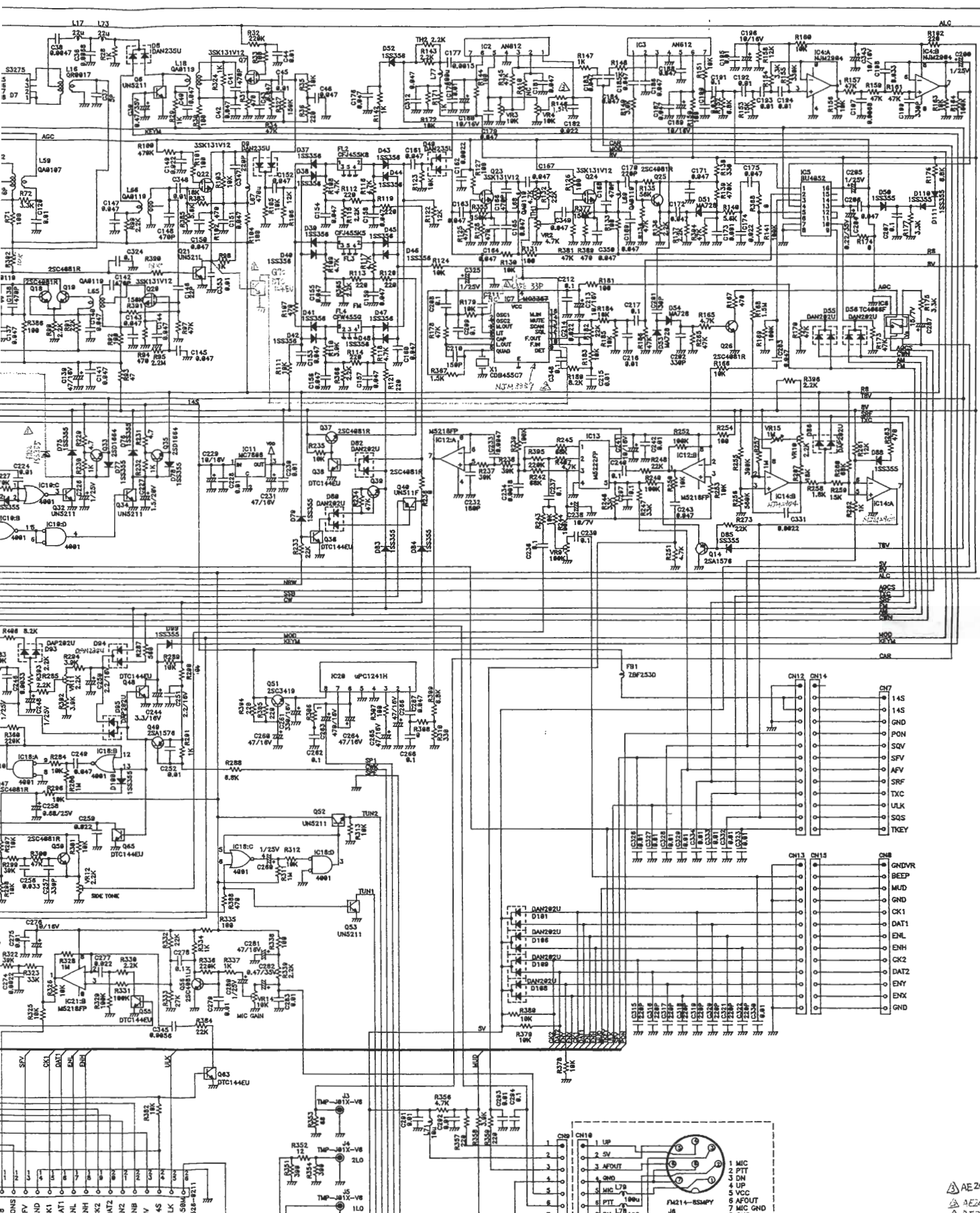


DX-70 BPF 4



DX-70 BPF 5

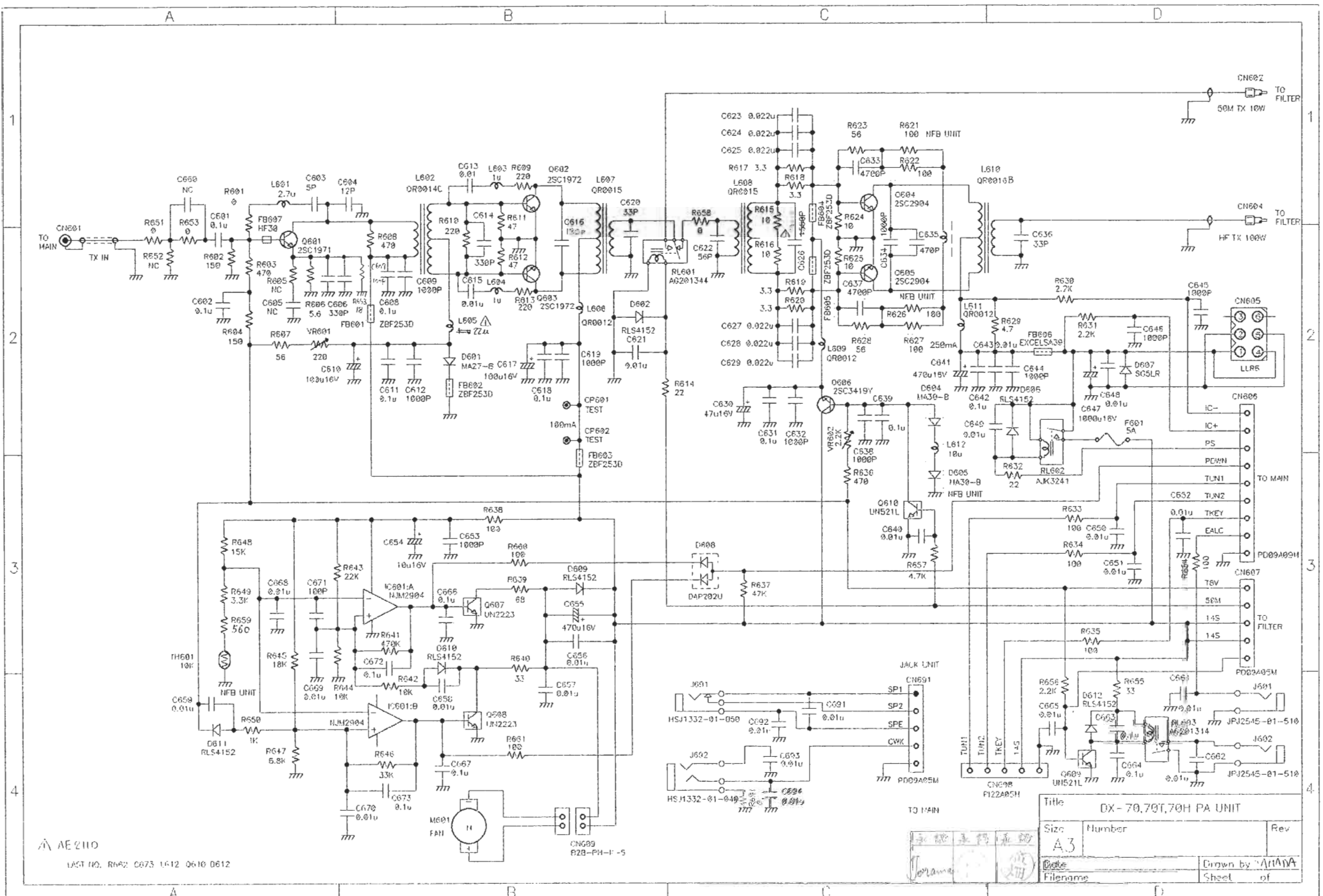




AE242
 AE247
 AE259

REV	DATE	DESCRIPTION	PAGE	ALL PAGE
1	1/95		150	227

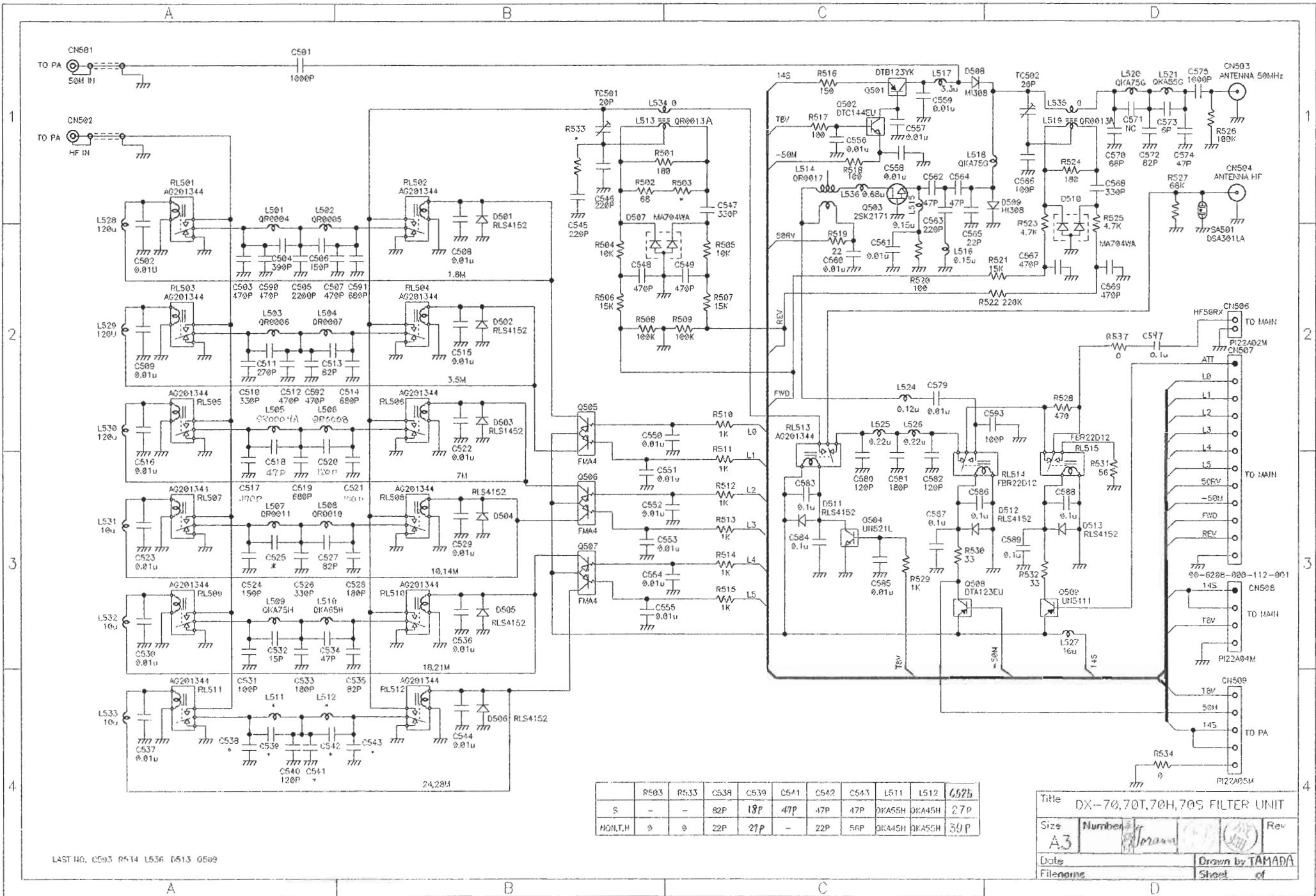
Site: D Document number: MAIN DX-70/T/H
 Date: Jun 7 1995



AE 2110
 LAST NO. RNF: C673 1-412 Q610 D612

Title		DX-70, 70T, 70H PA UNIT	
Size	A3	Number	
Drawn by	ANANA	Rev	
File name		Sheet	

15/9
 2/7



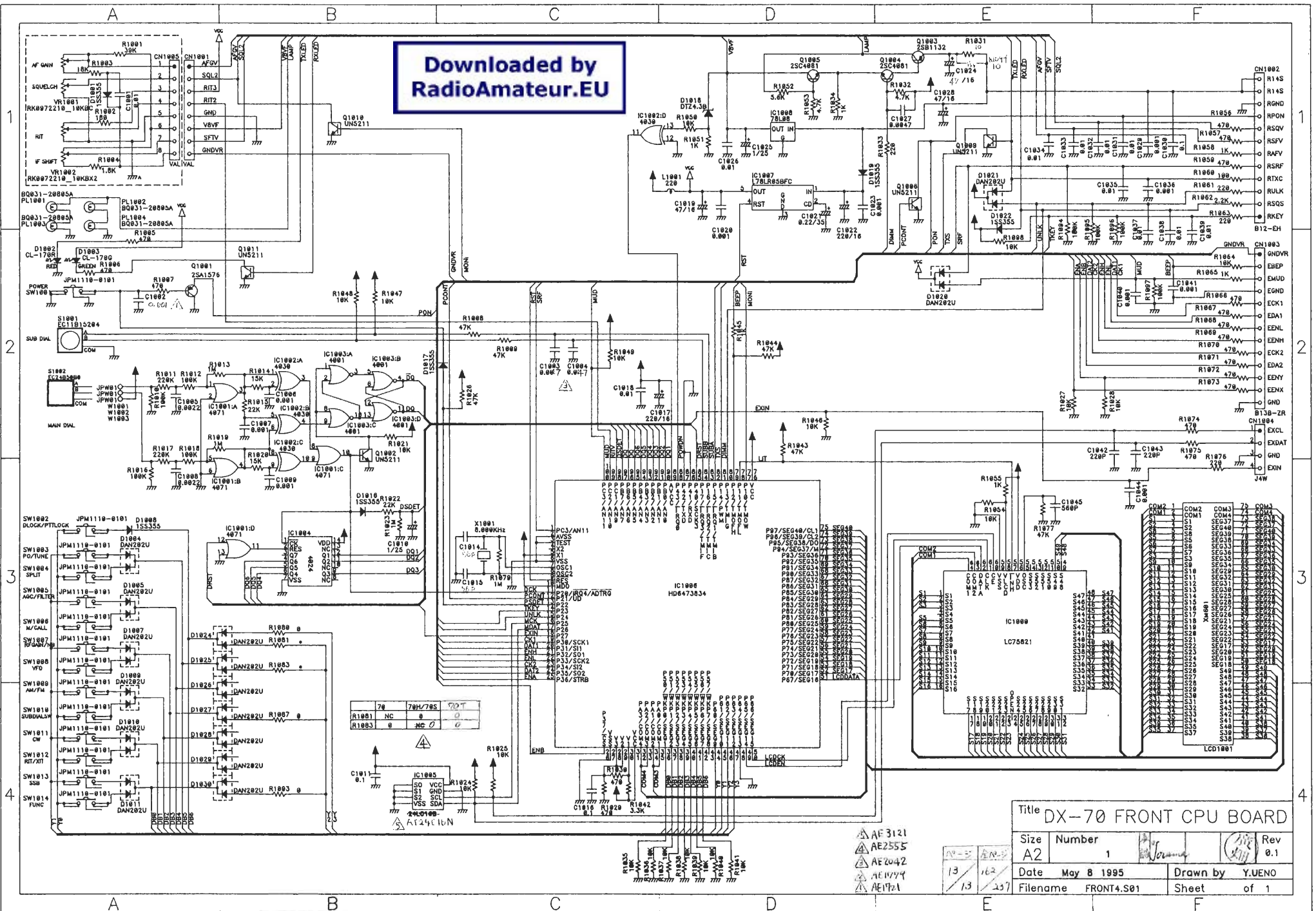
LAST NO. C503 R514 L536 D513 Q509

	R503	R533	C539	C539	C541	C542	C543	L511	L512	C525
S	-	-	82P	18P	47P	47P	47P	0KA55H	0KA45H	27P
HON.T.H	0	0	22P	27P	-	22P	56P	0KA45H	0KA55H	30P

Title	DX-70, 70T, 70H, 70S FILTER UNIT		
Size	A3	Number	Rev
Date		Drawn by	TAMADA
Filename		Sheet	of

12-61
18-27

Downloaded by
RadioAmateur.EU



7#	7#H/7#S	7#T
R1881	NC	0
R1883	0	MC 0

- △ AF 3121
- △ AE2555
- △ AE2042
- △ AE1777
- △ AE1721

13	162
13	162

Title DX-70 FRONT CPU BOARD			
Size	Number	Rev	
A2	1	0.1	
Date	May 8 1995	Drawn by	Y.UENO
Filename	FRONT4.S01	Sheet	of 1