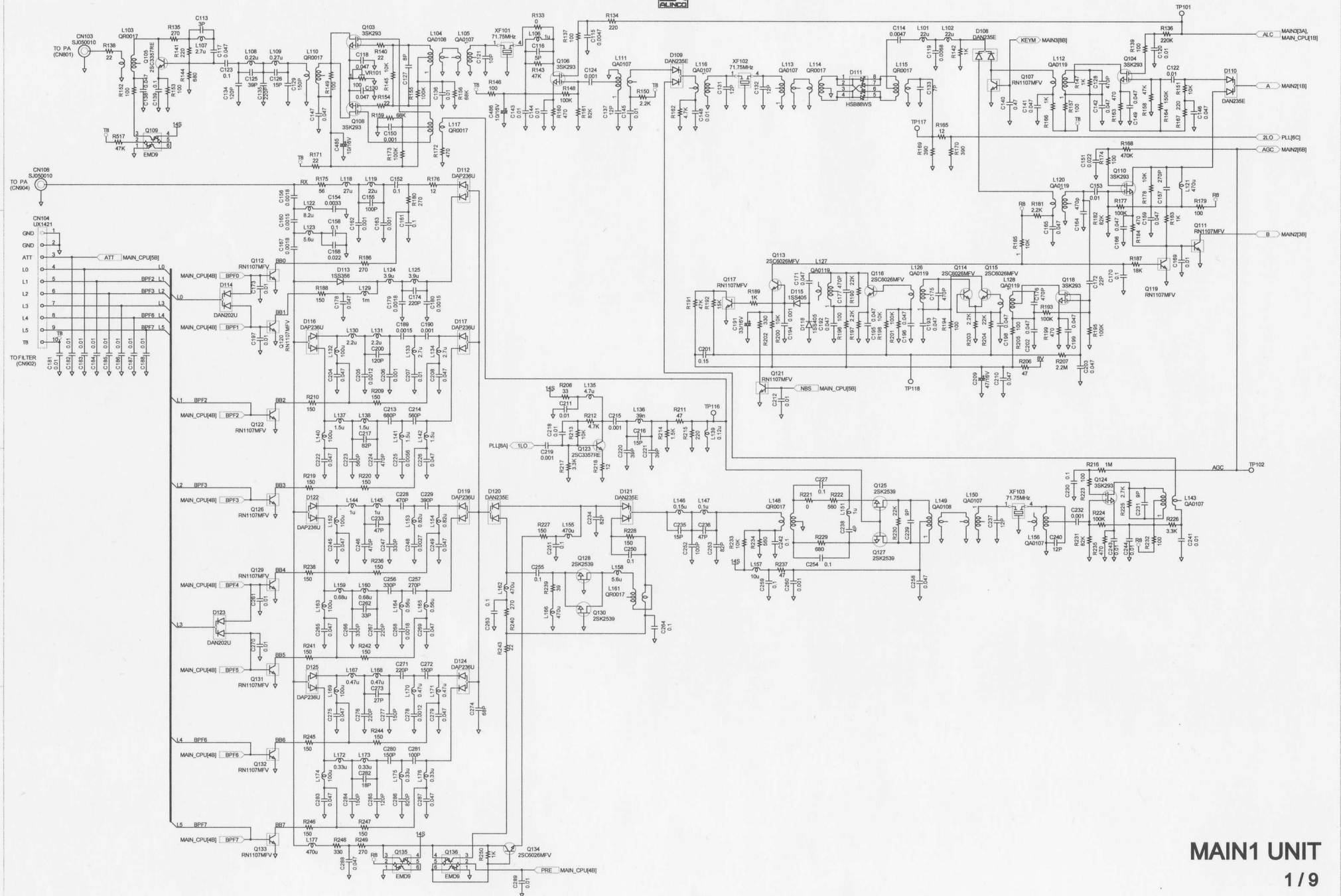
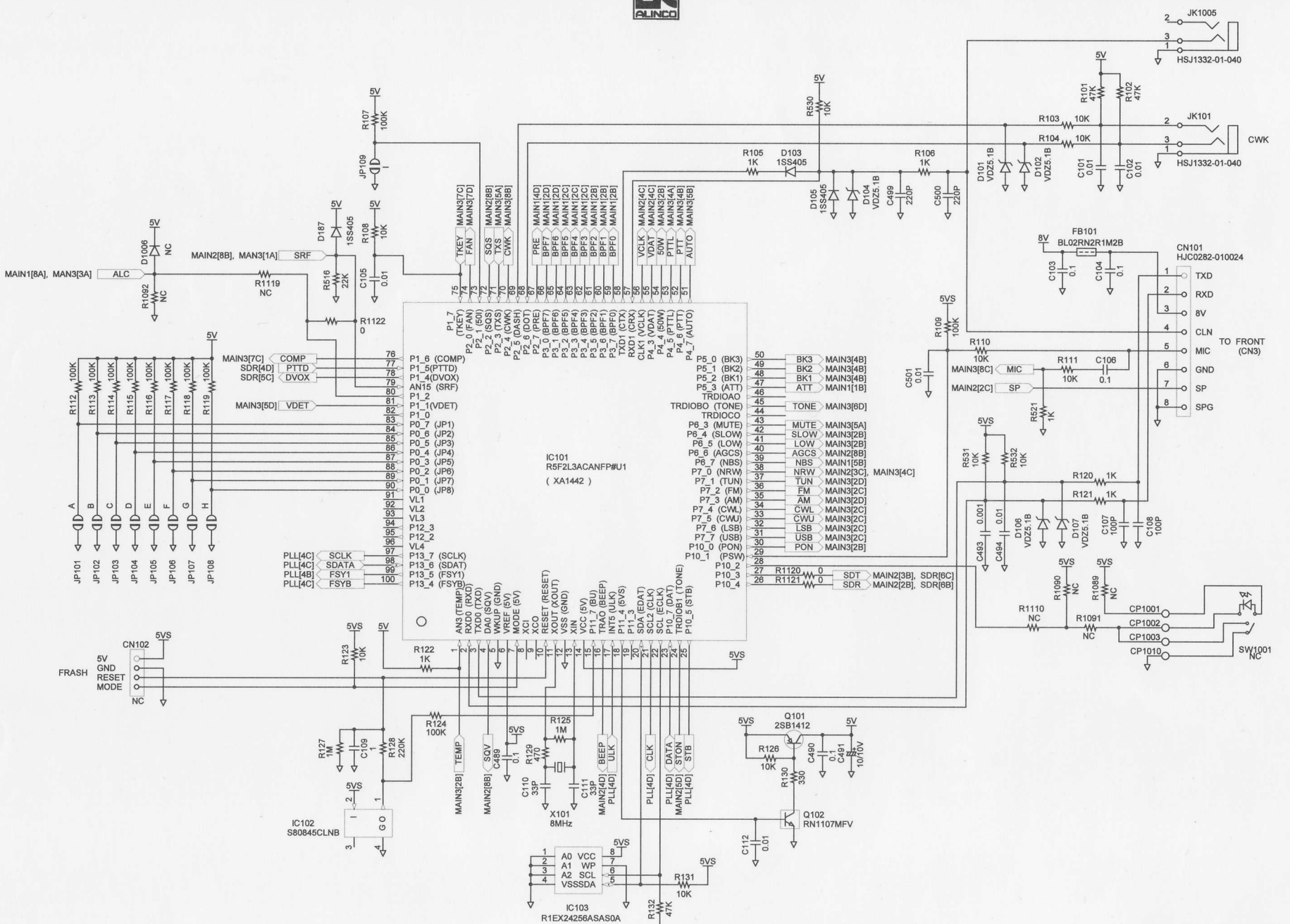


SCHEMATIC DIAGRAM DX-SR9

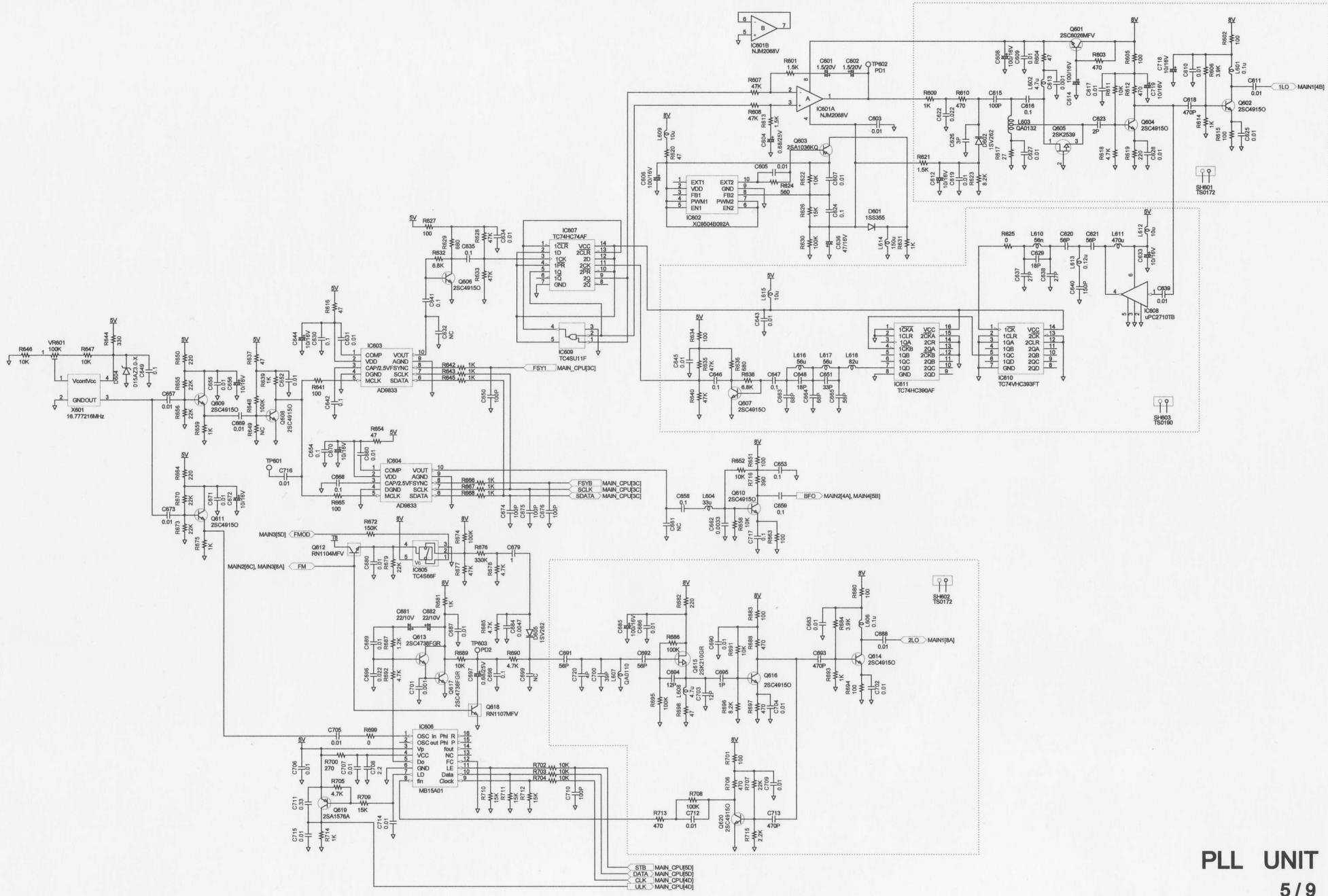
Specifications are subject to change without notice or obligation.

(PK0133)





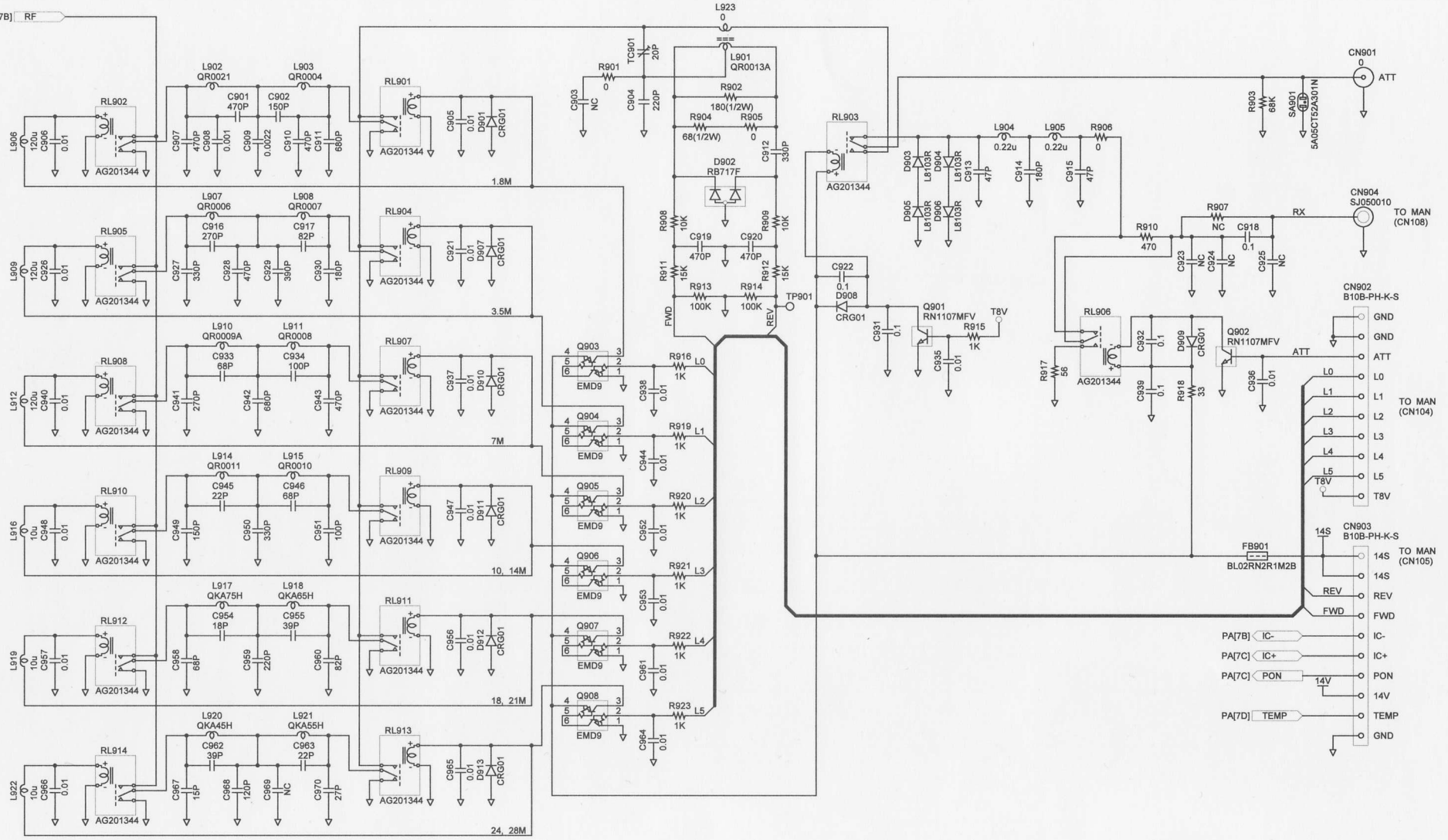
MAIN UNIT (CPU)
4 / 9



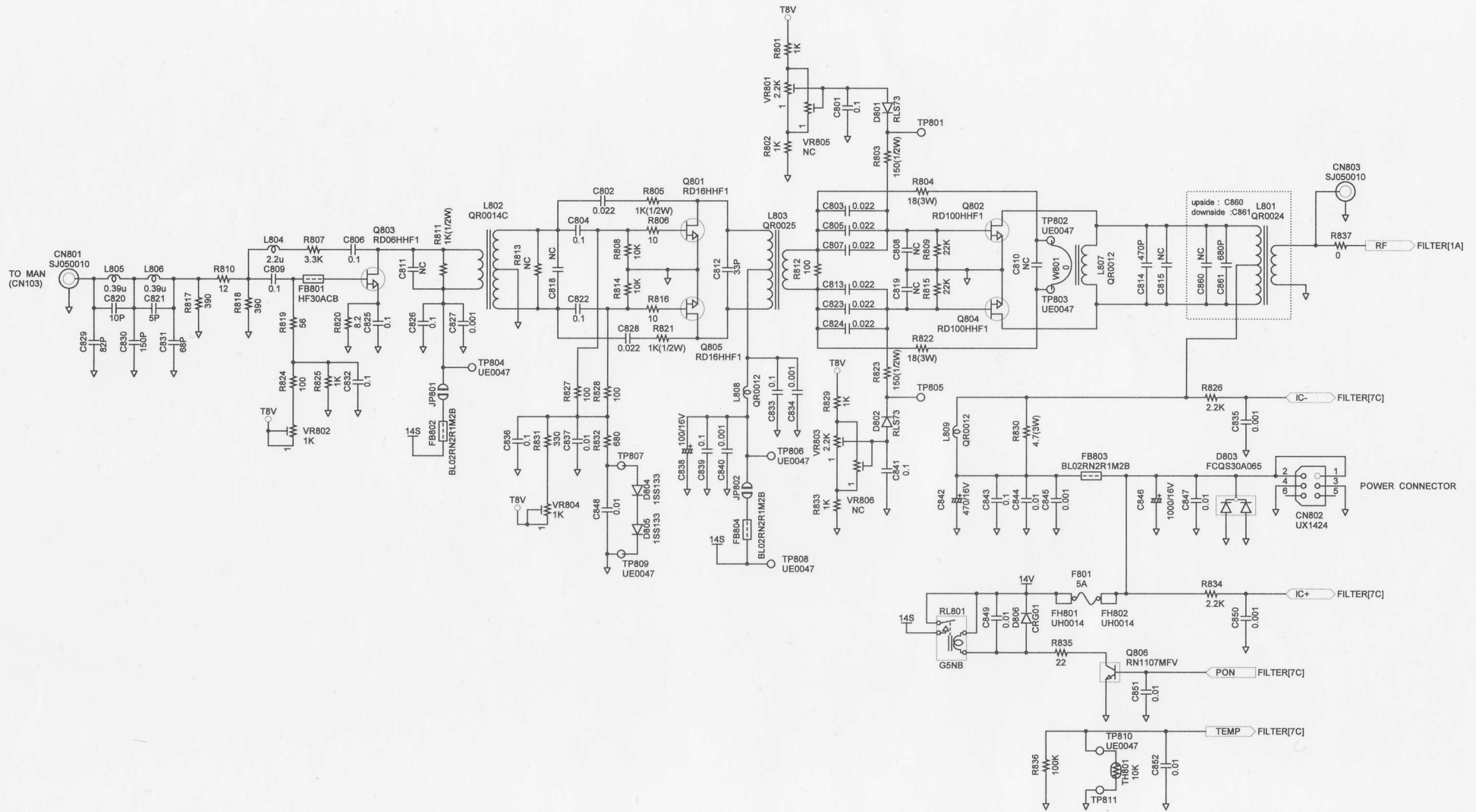
PLL UNIT
5 / 9



PA[7B] RF



FILTER UNIT
7/9



PA UNIT
8 / 9

