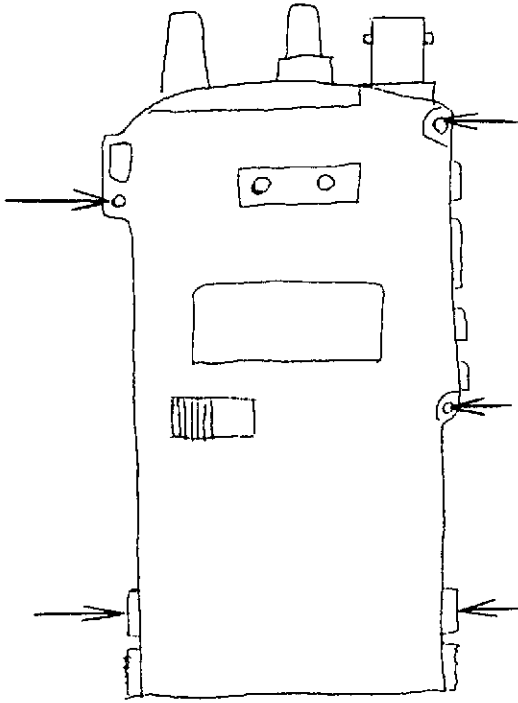
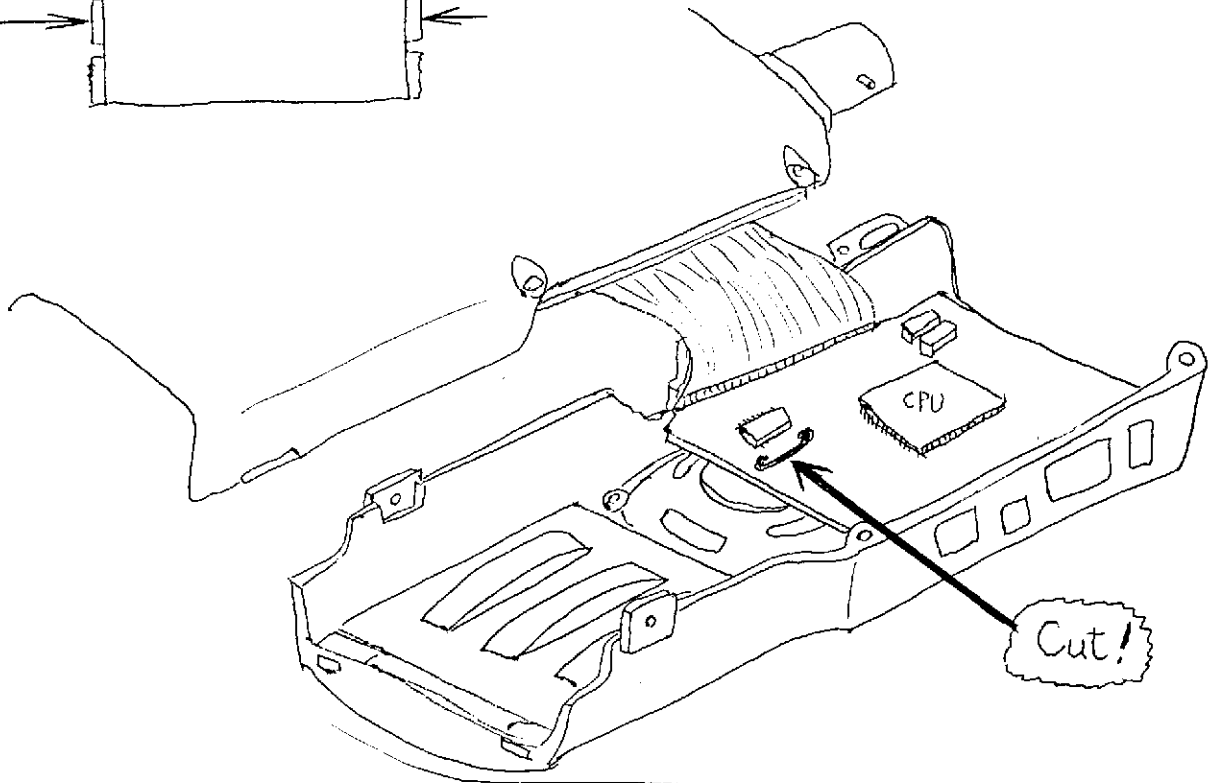


## UHF EXPAND RECEIVE MODIFICATION FOR A DJ-G1T



1. Turn the radio off and remove the battery pack.
2. Look at the rear of the radio, with the top upwards as shown.
3. Remove five screws for the case.
4. Carefully open the unit and find the RED LOOP WIRE on the CPU unit. (Be careful not to break the ribbon cable.)
5. Cut it and re-assemble the unit carefully.
6. Put the battery pack.
7. To reset the microprocessor, press and hold the [FUNC] key, then turn power on.



After modified, 400.000 - 511.995 MHz can be received.

**Note:** There is no guarantee for any specs. for out of ham band.  
Performing this modification may void the warranty.

ALINCO ELECTRONICS, INC.