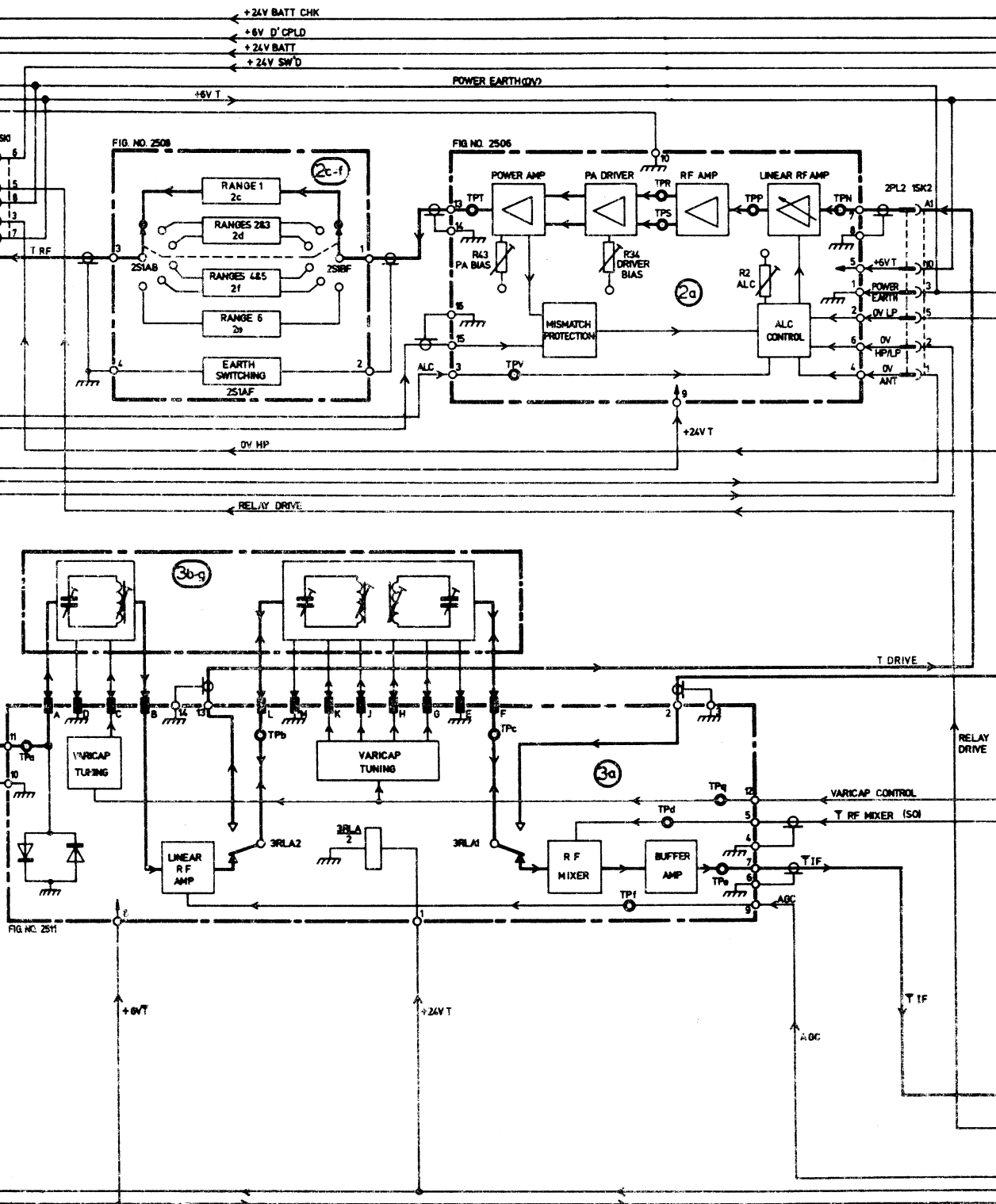


Fig 2501a - Detailed block schematic di



Schematic diagram (Part 1)

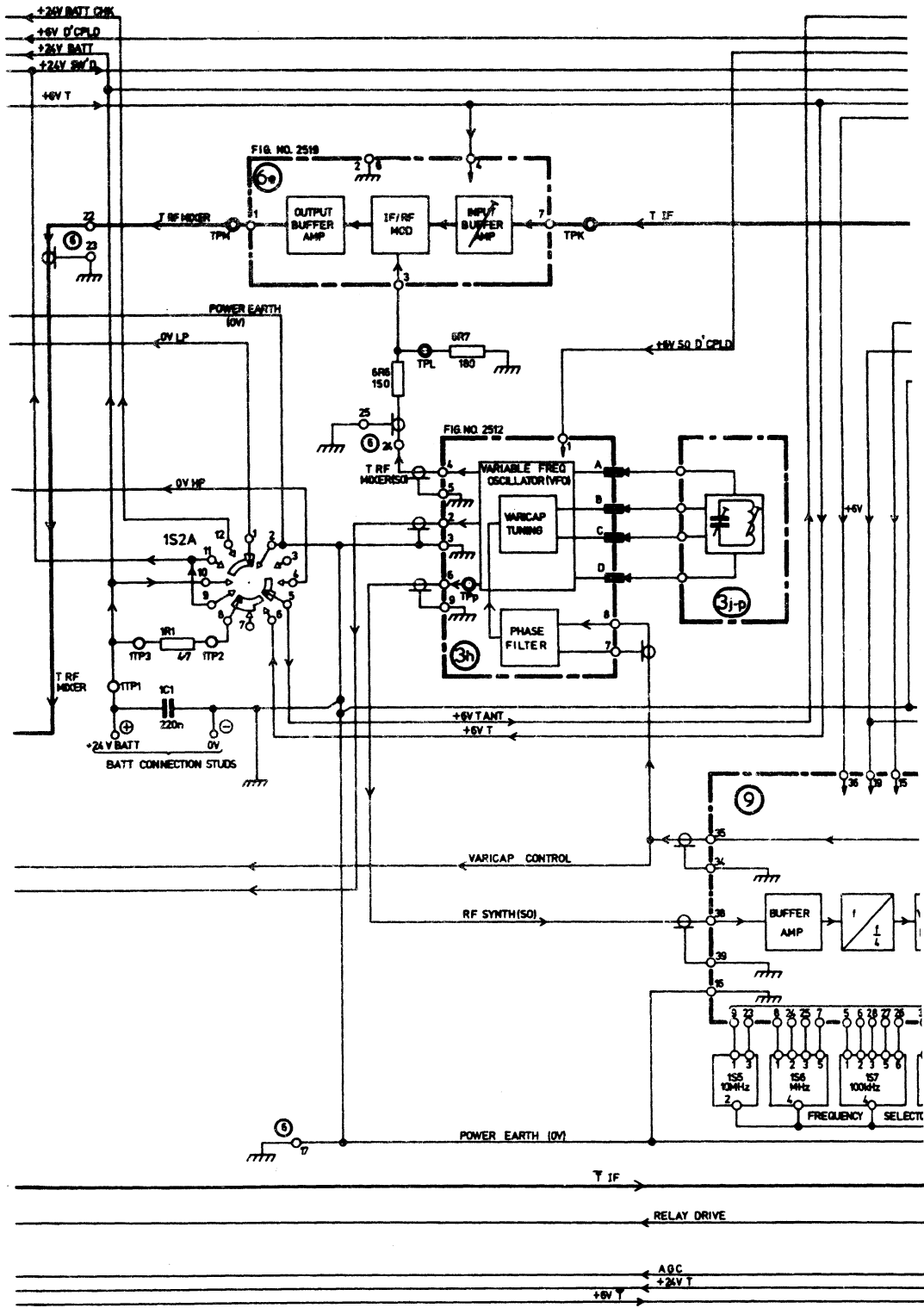
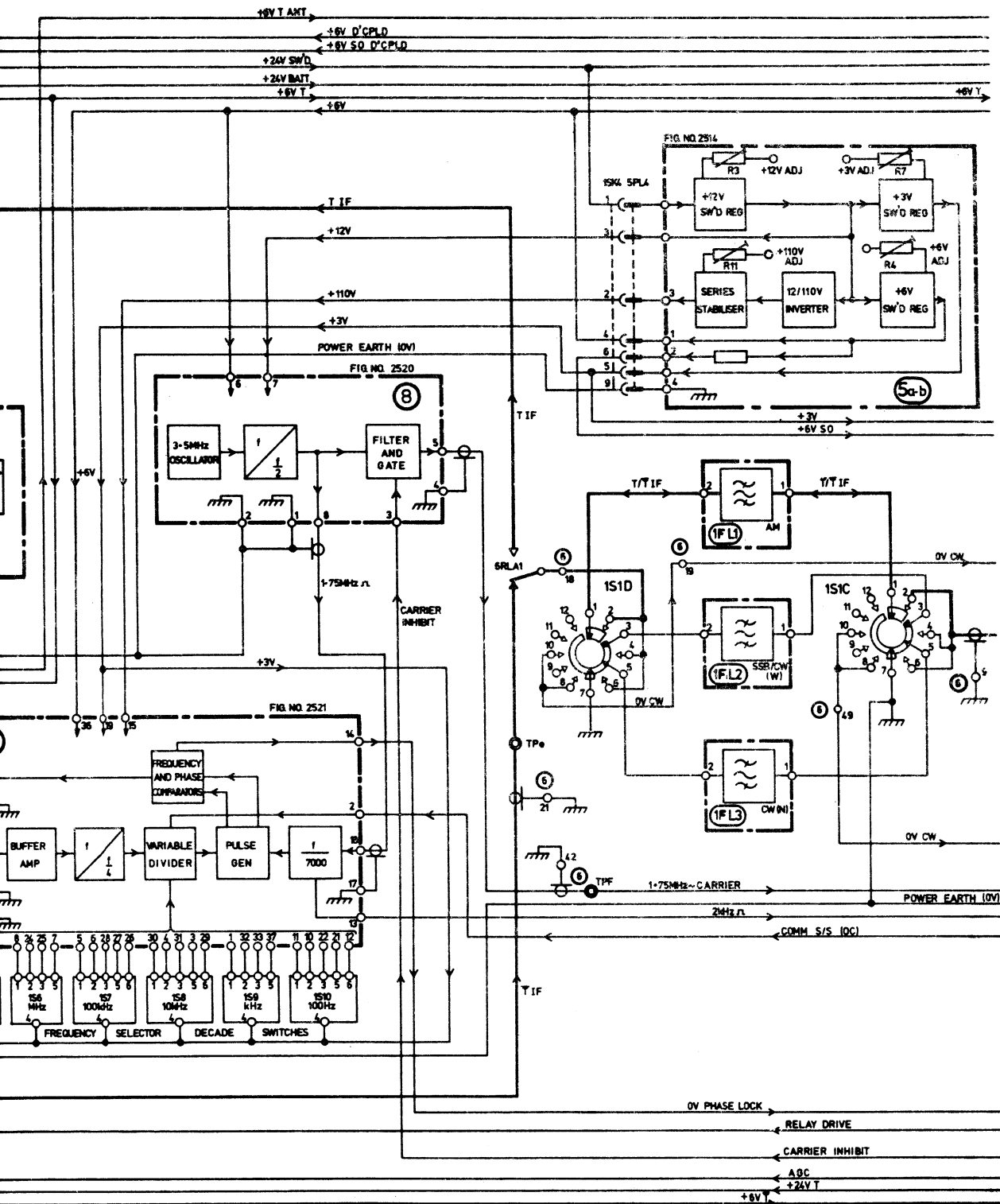


Fig 2501b - Detailed block



Detailed block schematic diagram (Part 2)

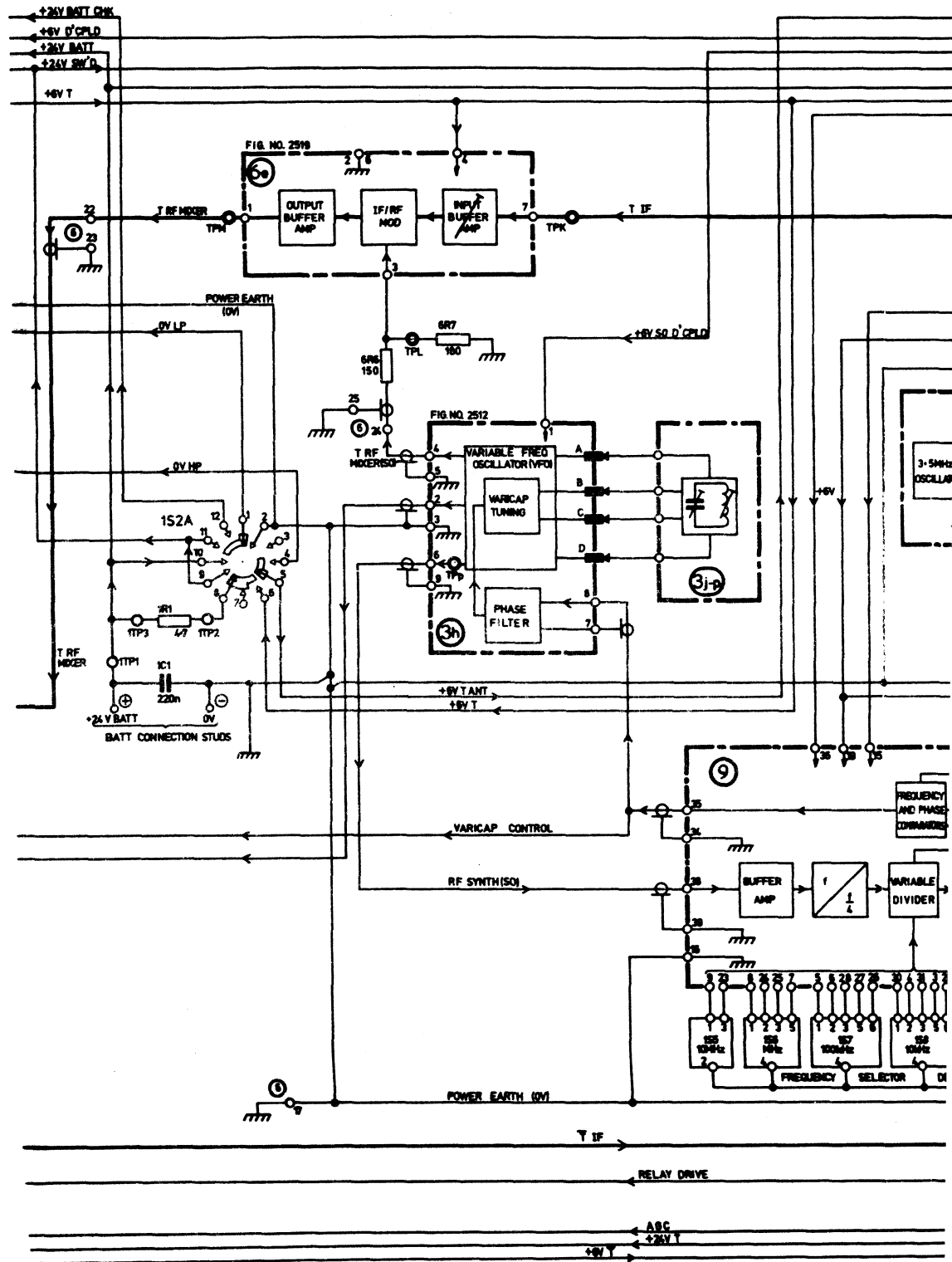
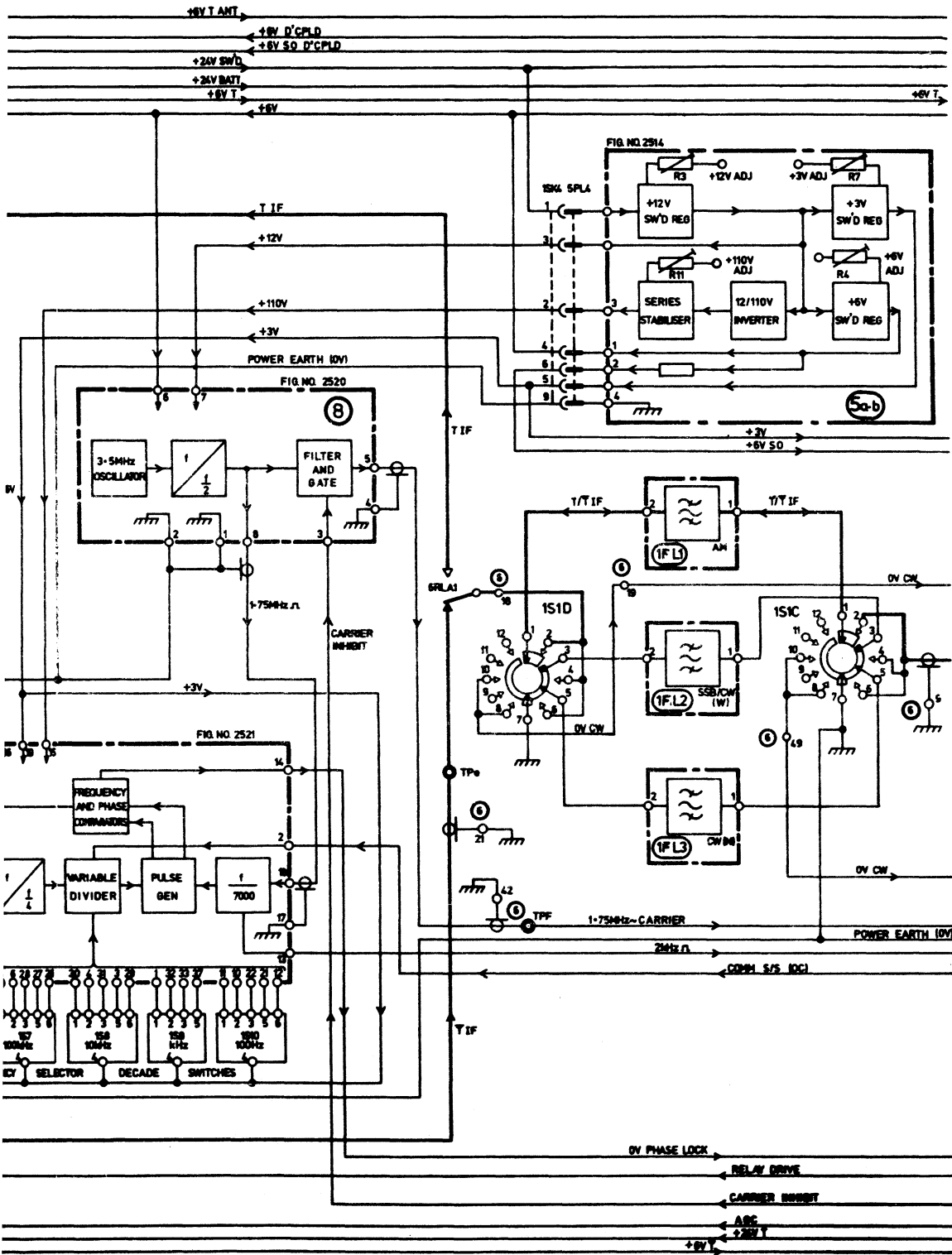


Fig 2501b - Detailed block scheme



ck schematic diagram (Part 2)

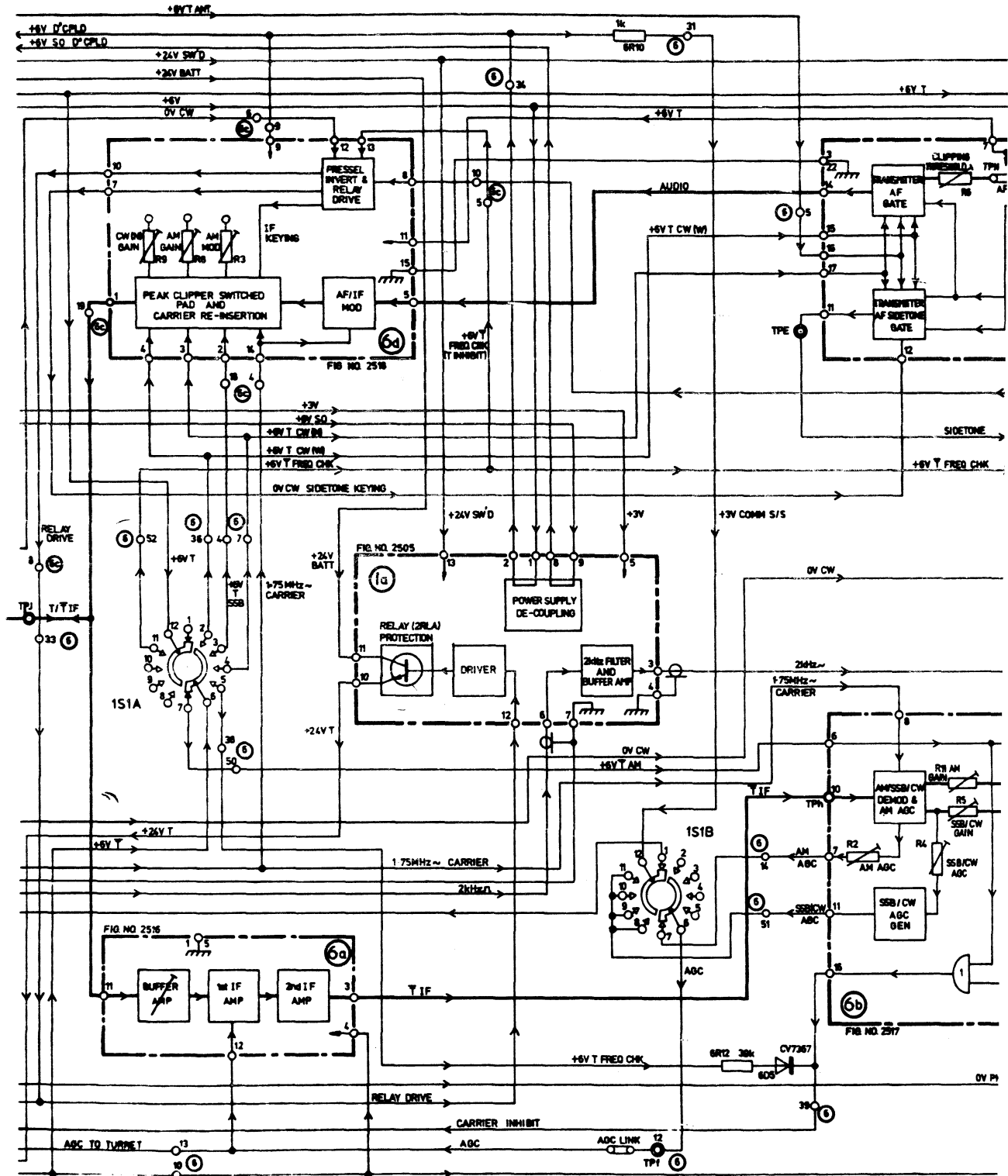
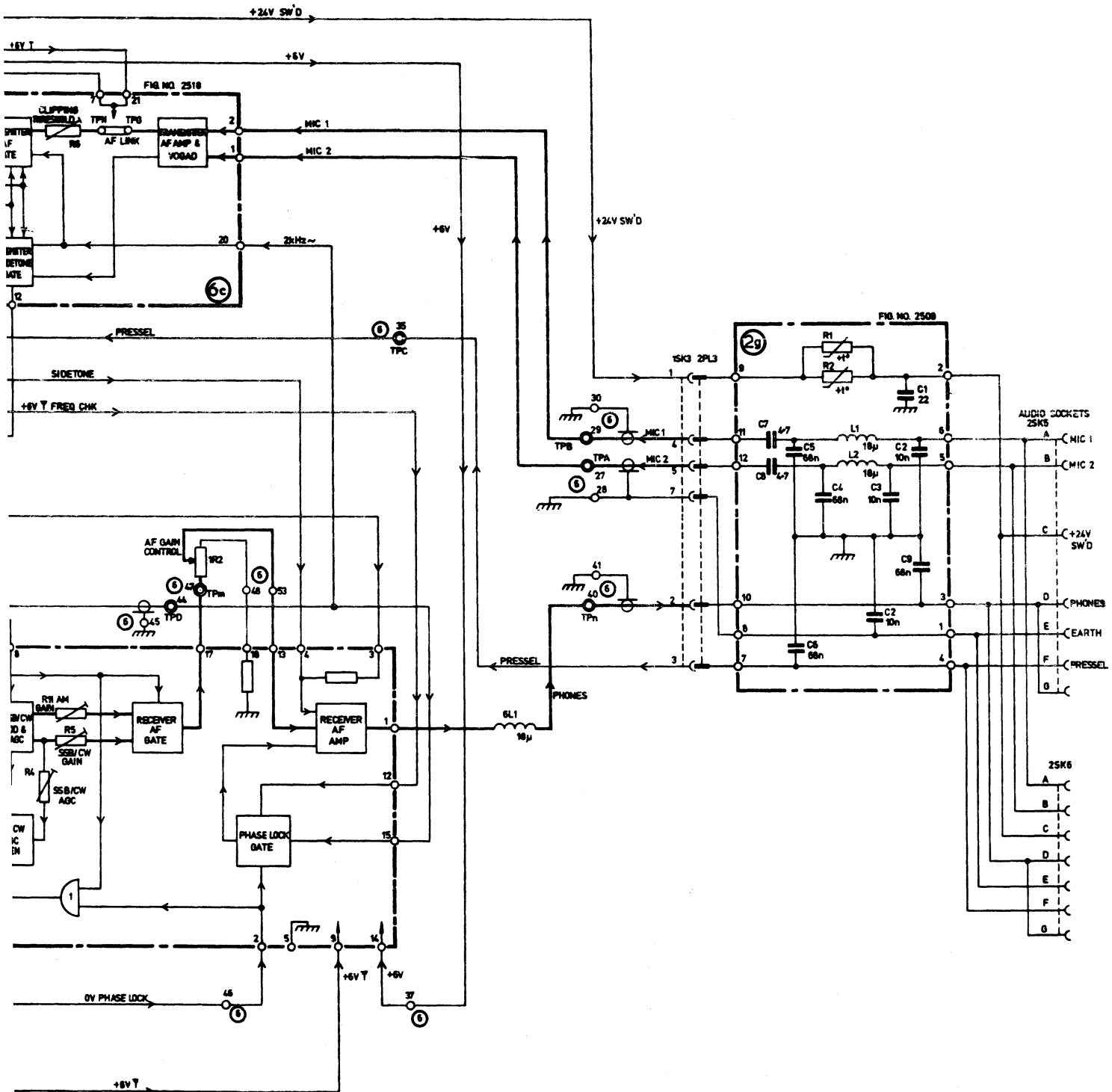


Fig 2501c - Detailed block diagram



Block schematic diagram (Part 3)

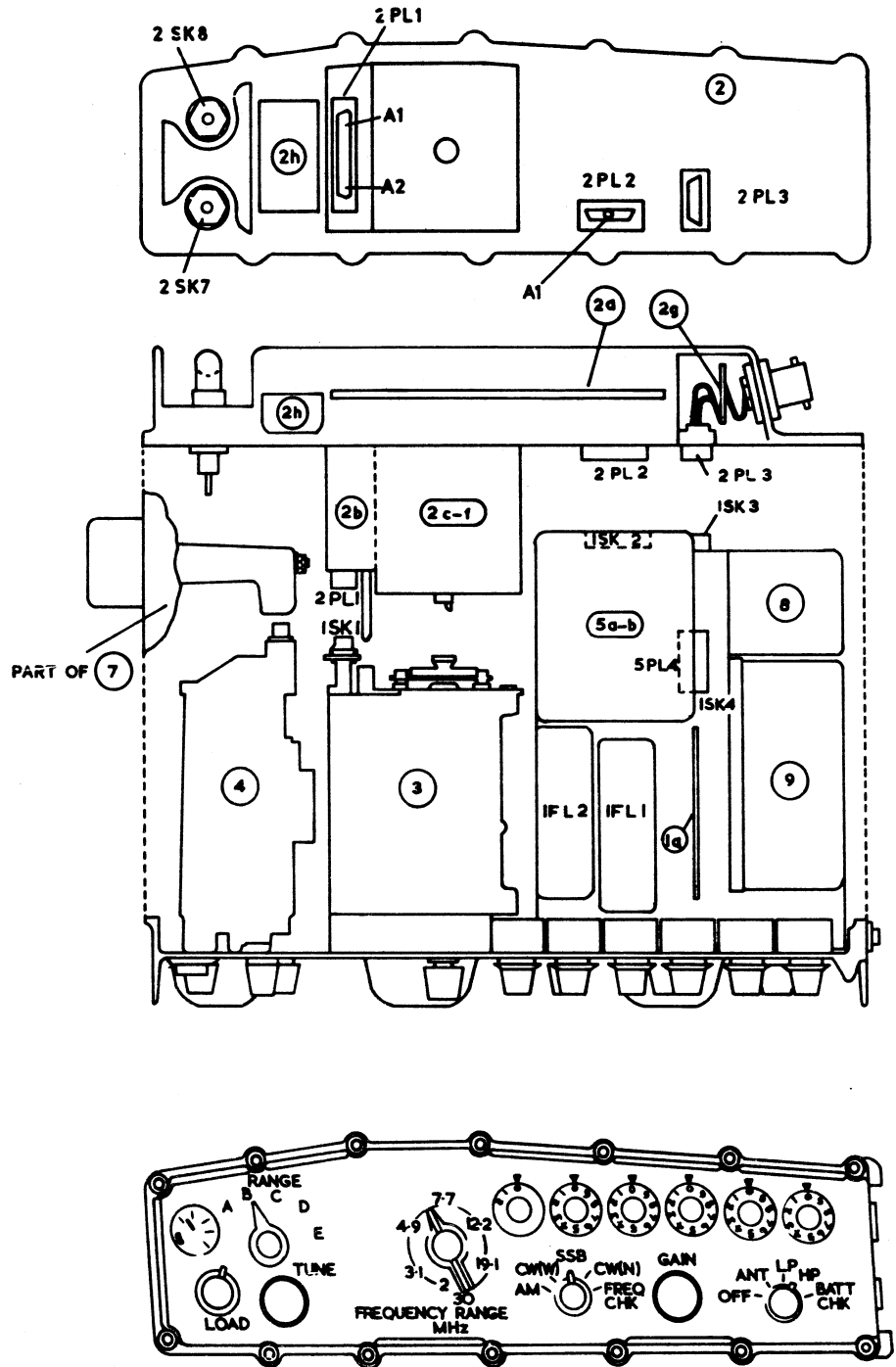
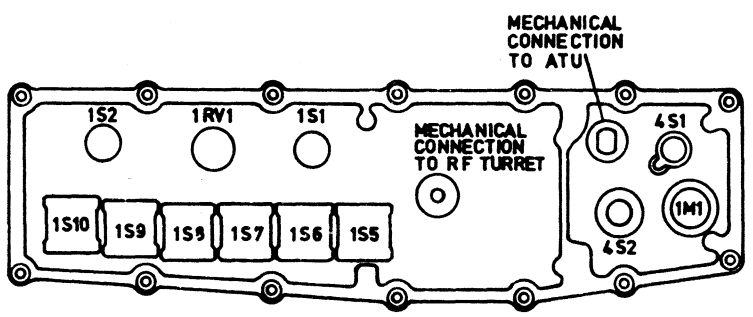
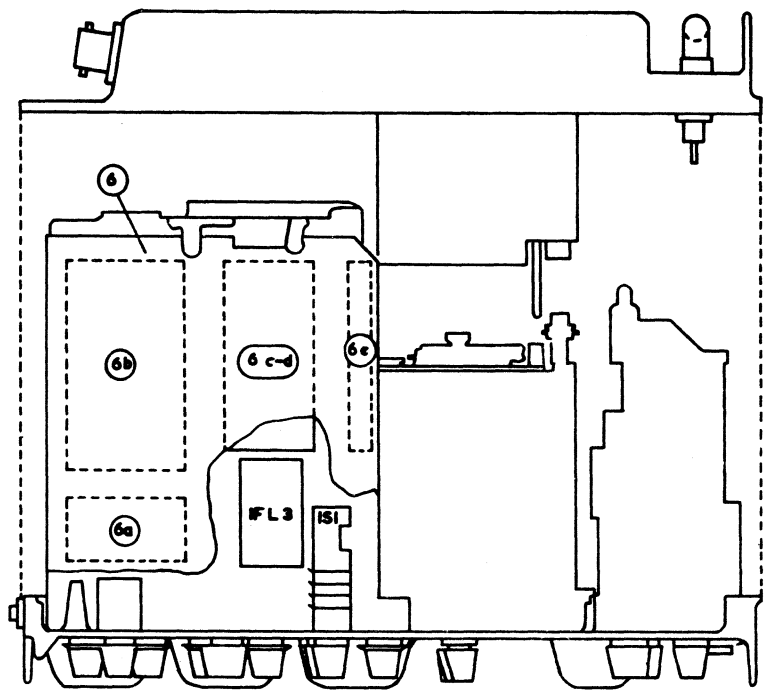
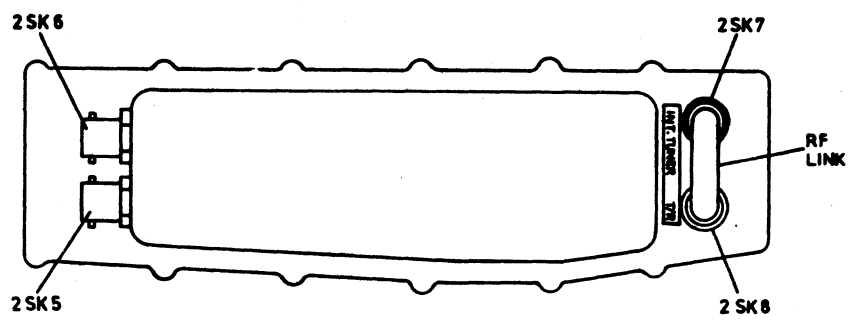


Fig 2502 - Assembly loca



ly location diagram

ASSEMBLY 1a	ASSEMBLY 2a	SC	SCREEN
1 +6V	1 ATU SIGNAL	38	+2V COMMAND SW
2 +6V D'CP/D	2 - SCREEN	39	+6V T
3 2kHz ~	3 ATU SIGNAL	40	RELAY DRIVE
4 - SCREEN	4 - SCREEN	41	+6V D'CP/D
5 +3V	ASSEMBLY 3a	42	PRESEL
6 20Hz J/L	1 +24V T	43	+6V T CW (W)
7 EARTH	2 T RF MIXER	44	+6V
8 +6V SO D'CP/D	3 - SCREEN	45	+6V T FREQ CHK
9 +6V SO	4 T RF MIXER ISOI	46	CARR INHIBIT
10 +24V T	5 T RF MIXER ISOI	47	PHONES
11 +24V BATT	6 Y LF	48	- SCREEN
12 RELAY DRIVE	7 - SCREEN	49	1.75 MHz ~ CARR
13 +24V SW'D	8 +6V T	50	- SCREEN
ASSEMBLY 2b	9 AGC LINE	51	2 kHz ~
1 EARTH	11 T RF	52	- SCREEN
2 OV LP	10 - SCREEN	53	- SCREEN
3 ALC	12 V'CAP CONTROL	54	PHASE LOCK
4 OV ANT	13 T DRIVE	55	A F GAIN CONT'L
5 +6V T	14 - SCREEN	56	OV CW
6 OV HP/LP	ASSEMBLY 3b	57	+6V Y AM
7 T DRIVE	1 +6V SO D'CP/D	58	SSB/CW AGC
8 - SCREEN	2 T RF MIXER ISOI	59	+6V T FREQ CHK
9 +24V T	3 EARTH	60	A F GAIN CONT'L SDR
10 EARTH	4 TRF MIXER ISOI	ASSEMBLY 4	
11 SPARE	5 - SCREEN	1 EARTH	
12 SPARE	6 RF SYNTH ISOI	2 EARTH	
13 T RF	7 - SCREEN	3 CARR INHIBIT	
14 - SCREEN	8 V'CAP CONTROL	4 EARTH	
15 O/L MON	9 - SCREEN	5 1.75 MHz ~ CARR	
16 - SCREEN	ASSEMBLY 4	6 +6V	
ASSEMBLY 2b	1 ATU SIGNAL	7 +12V	
1 T RF	2 ANTENNA	8 1.75 MHz J/L	
2 SCREEN	ASSEMBLY 5	ASSEMBLY 6	
3 ALC	SPL4	1 METER +VE	
4 SPARE	1 +24V SW'D	2 BATT MON	
5 +6V MON	2 +110V	3 SPARE	
6 OV LP	3 +12V	4 +6V T SSB	
7 OVP MON	4 +6V	5 +6V T ANT	
8 OV HP	5 +3V	6 SPARE	
9 +6V T	6 +6V SO	7 +6V T CW (W)	
10 TUNE IND	7 OV	8 7.7 T	
11 SPARE	ASSEMBLY 6	9 - SCREEN	
12 +24V T	1 METER +VE	10 +6V T	
13 +24V T	2 BATT MON	11 +6V T	
14 EARTH	3 SPARE	12 AGC	
15 ATU SIGNAL	4 +6V T SSB	13 AGC TO TURRET	
16 - SCREEN	5 +6V T ANT	14 AM AGC	
17 +24V SW'D	6 SPARE	15 SW METER	
18 RELAY DRIVE	7 +6V T CW (W)	16 +24V BATT CHK	
19 +24V BATT	8 7.7 T	17 EARTH	
20 EARTH	9 - SCREEN	18 XTAL FILTERS	
21 T RF	10 +6V T	19 OV CW	
22 - SCREEN	11 +6V T	20 T LF	
ASSEMBLY 2c-1	12 AGC	21 - SCREEN	
1 T RF	13 AGC TO TURRET	22 T RF MIXER	
2 - SCREEN	14 AM AGC	23 - SCREEN	
3 T RF	15 SW METER	24 T RF MIXER (SO)	
4 - SCREEN	16 +24V BATT CHK	25 - SCREEN	
ASSEMBLY 2a	17 EARTH	26 +24V T	
1 EARTH	18 XTAL FILTERS	27 MIC 2	
2 +24V SW'D	19 OV CW	28 +6V T	
3 PHONES	20 T LF	29 MIC 1	
4 PRESEL	21 - SCREEN		
5 MIC 2	22 T RF MIXER		
6 MIC 1	23 - SCREEN		
7 PRESEL	24 T RF MIXER (SO)		
8 EARTH	25 - SCREEN		
9 +24V SW'D	26 +24V T		
10 PHONES	27 MIC 2		
11 MIC 1	28 +6V T		
12 MIC 2	29 MIC 1		

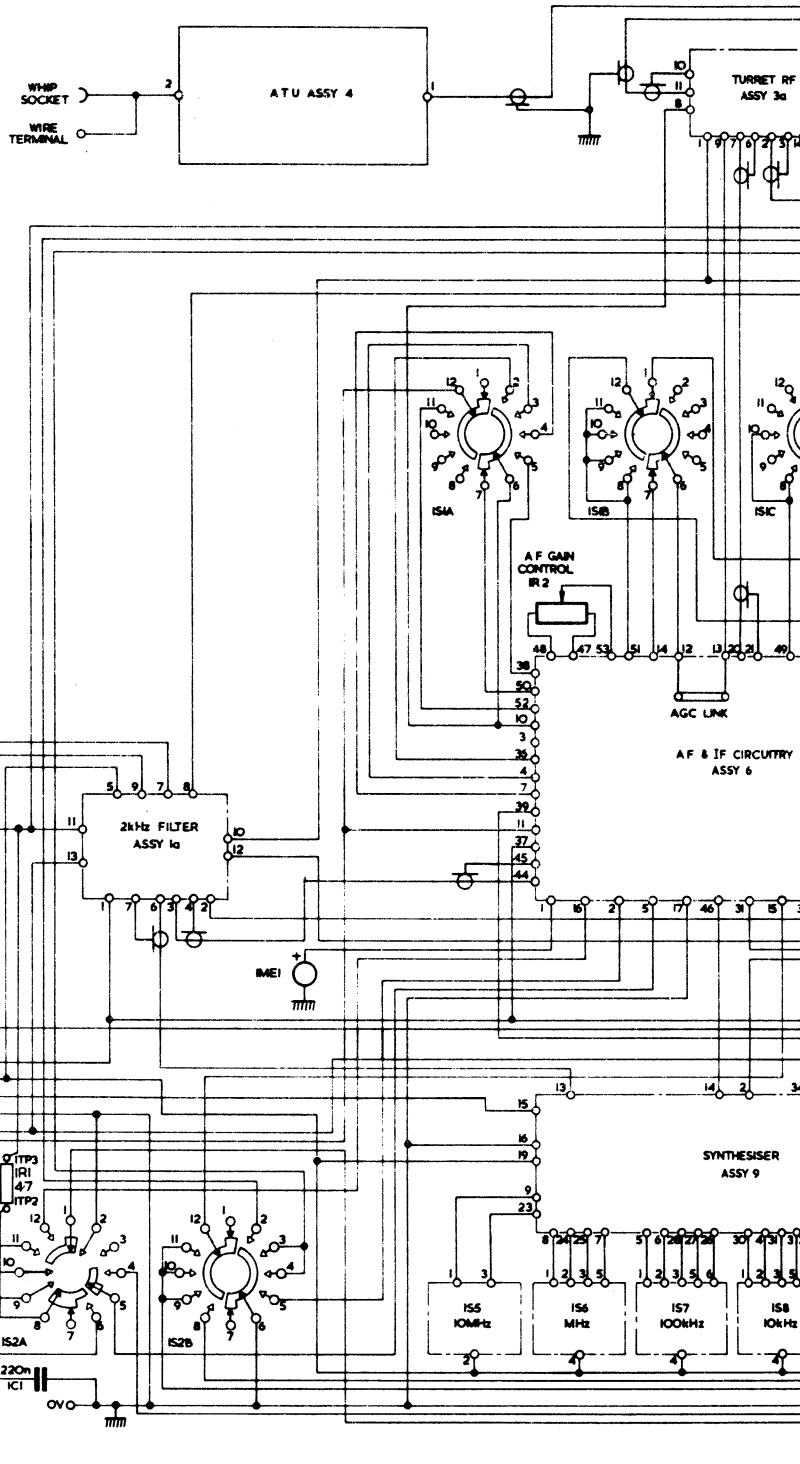
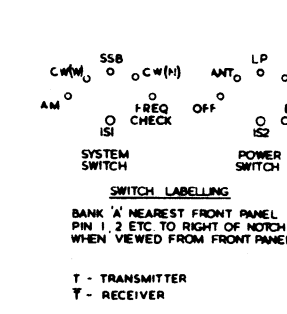
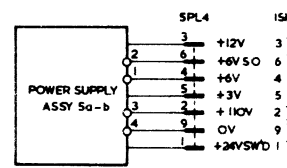
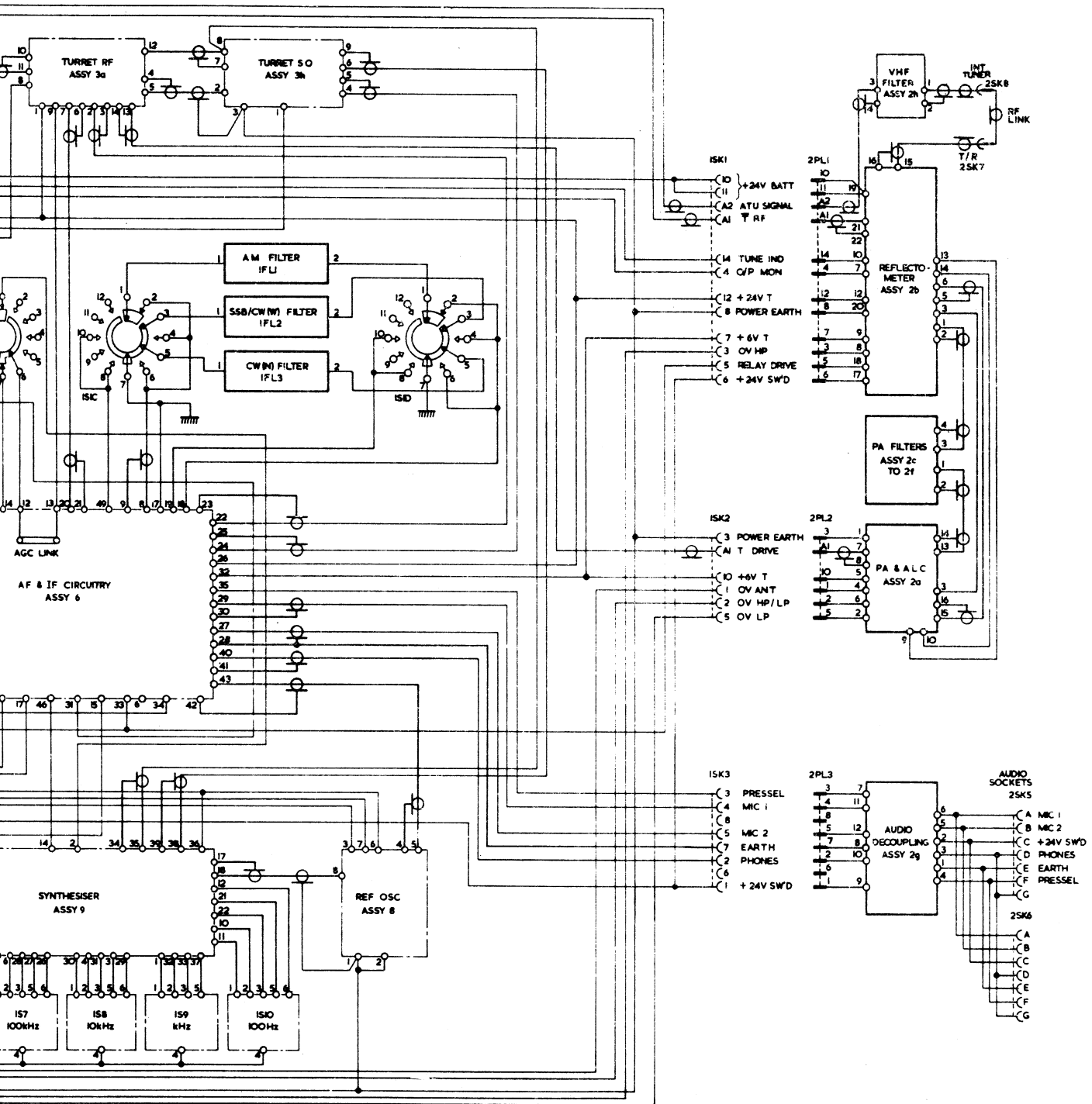


Fig 2503 - Assembly



3 - Assembly interconnections

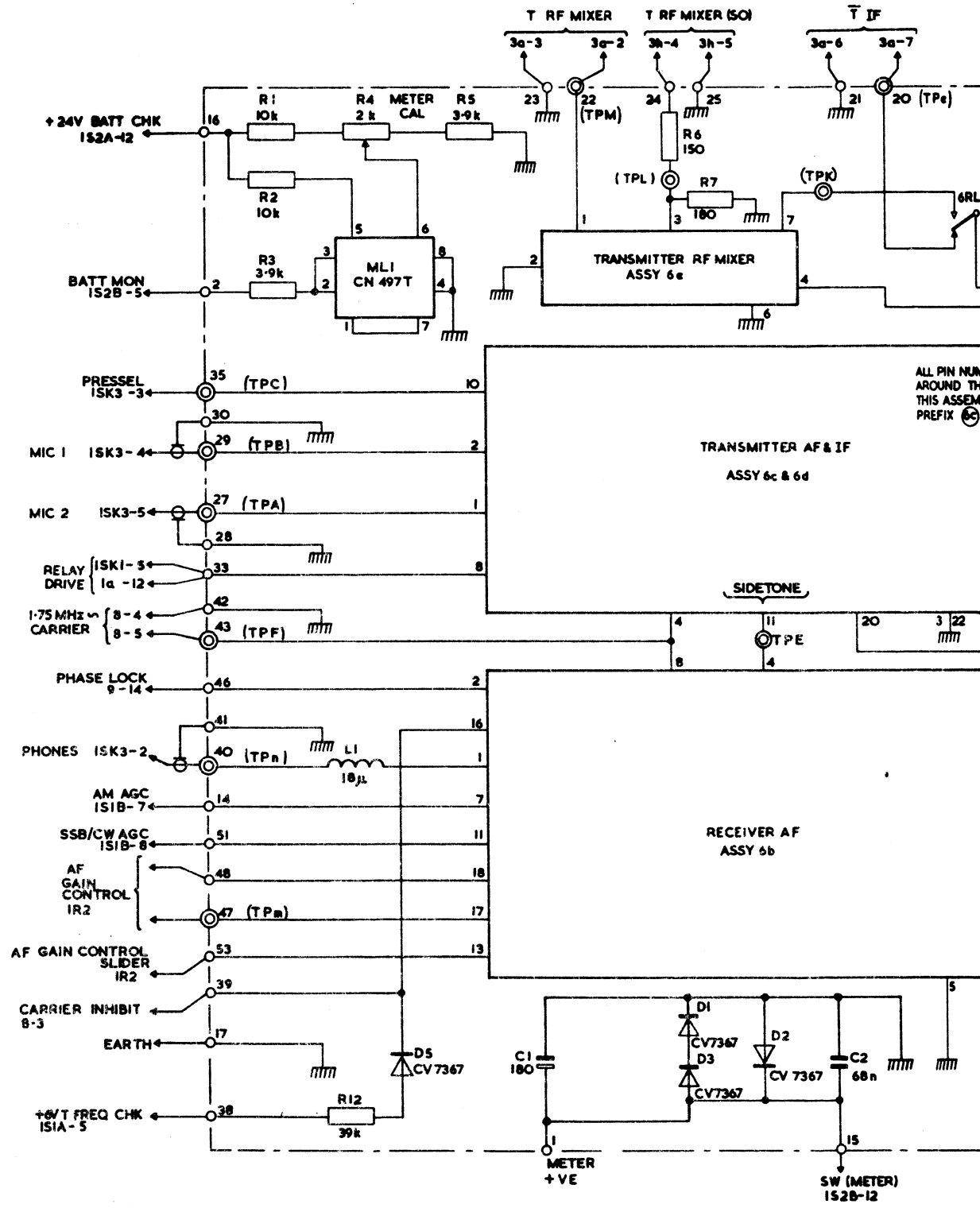
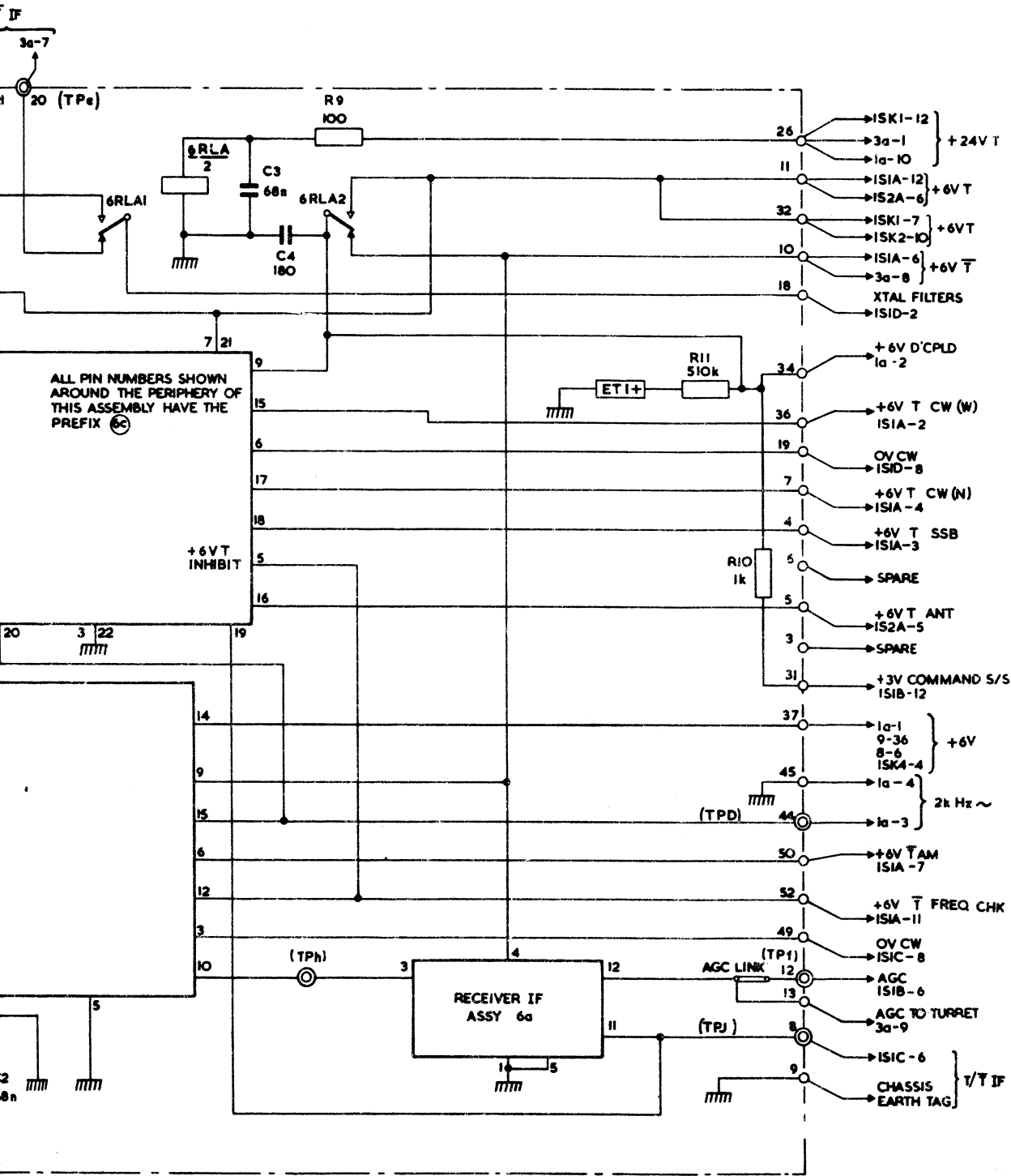


Fig 2504 - Motherboard assembly i



T - TRANSMITTER
T-bar - RECEIVER

assembly interconnections